



US00D878569S

(12) **United States Design Patent**
Reynolds et al.

(10) **Patent No.:** **US D878,569 S**
(45) **Date of Patent:** **** Mar. 17, 2020**

- (54) **SYRINGE**
- (71) Applicant: **Genesis Cosmetics, LLC**, Spring Valley, WI (US)
- (72) Inventors: **Susan Reynolds**, Spring Valley, WI (US); **John Harmon**, Spring Valley, WI (US)
- (73) Assignee: **Genesis Cosmetics, LLC**, Spring Valley, WI (US)
- (**) Term: **15 Years**
- (21) Appl. No.: **29/668,231**
- (22) Filed: **Oct. 29, 2018**

- 5,282,792 A * 2/1994 Imbert A61M 5/3135
206/571
- 5,334,151 A * 8/1994 Santilli A61M 5/3213
206/365
- 5,338,309 A * 8/1994 Imbert A61M 5/3135
604/110
- 5,395,345 A * 3/1995 Gross A61B 10/0233
604/187
- 5,405,326 A * 4/1995 Haber A61M 5/345
604/110
- 5,514,107 A * 5/1996 Haber A61M 5/3271
604/192
- D372,310 S * 7/1996 Hartnett D24/114
- 5,554,127 A * 9/1996 Crouther A61M 5/3213
206/366
- 5,876,382 A * 3/1999 Erickson A61M 5/322
604/110
- 6,432,087 B1 * 8/2002 Hoeck A61M 5/3234
604/110

Related U.S. Application Data

- (62) Division of application No. 29/608,161, filed on Jun. 20, 2017, now Pat. No. Des. 834,182.
- (51) **LOC (12) Cl.** **24-02**
- (52) **U.S. Cl.**
USPC **D24/114**
- (58) **Field of Classification Search**
USPC D24/112-114, 133, 186, 104, 127, 130;
606/181, 185; 604/264, 272, 115, 232,
604/187, 158, 164.08, 192, 263, 163, 181,
604/184, 198, 227
CPC A61M 5/31596; A61M 2005/1787; A61M
2005/31508; A61M 5/31511; A61M
2005/3121; A61M 2005/31598; A61M
2005/3123
See application file for complete search history.

(Continued)

Primary Examiner — Nathan M Johnston
(74) *Attorney, Agent, or Firm* — Skinner and Associates;
Joel Skinner

(57) **CLAIM**

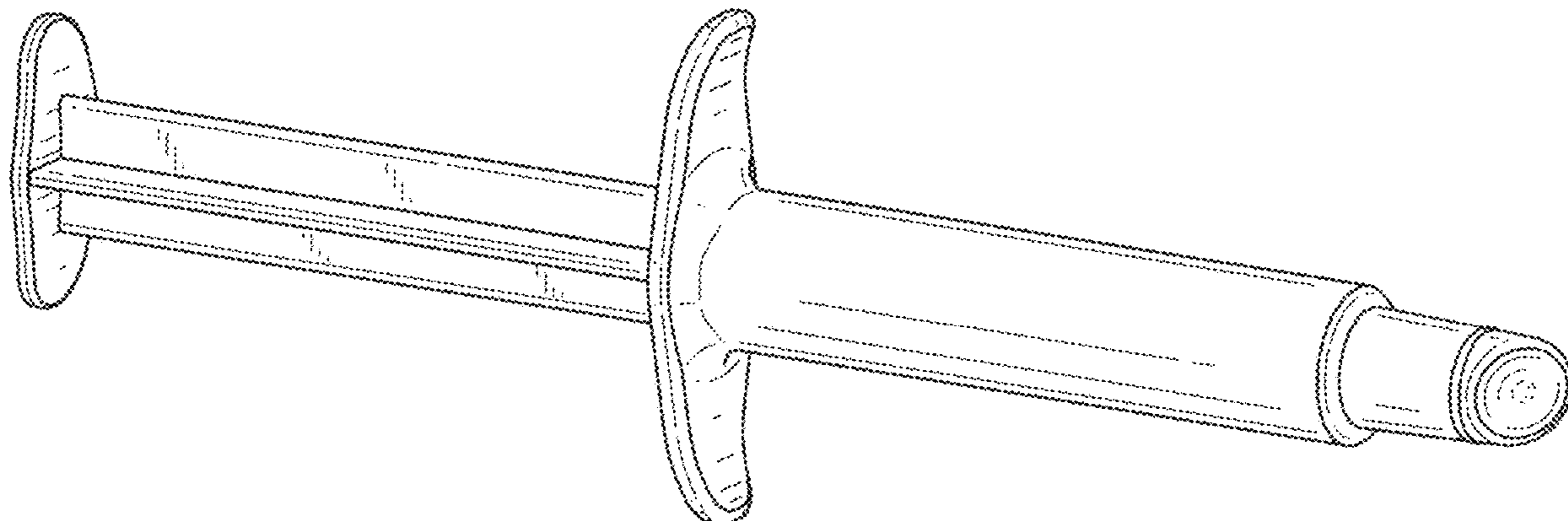
The ornamental design for a syringe, as shown and described.

DESCRIPTION

FIG. 1 is a perspective view of a syringe showing our new design.
FIG. 2 is a front elevation view thereof;
FIG. 3 is a rear elevation view thereof;
FIG. 4 is a first end view thereof;
FIG. 5 is a second opposite end thereof; and,
FIG. 6 is a side elevation view thereof, the opposite side elevation view being a mirror image thereof.
The broken lines show portions of the design that form no part of the claimed design.

1 Claim, 3 Drawing Sheets

- (56) **References Cited**
U.S. PATENT DOCUMENTS
4,813,928 A * 3/1989 Abe A61B 17/00491
604/264
D338,957 S * 8/1993 de Faire D24/112



(56)

References Cited

U.S. PATENT DOCUMENTS

6,432,088 B1 *	8/2002	Huang	A61M 5/3202	128/919				
6,689,106 B2 *	2/2004	Bush, Jr.	A61M 5/3234	604/110				
D543,278 S *	5/2007	Numata	D24/114					
D543,279 S *	5/2007	Numata	D24/114					
D545,429 S *	6/2007	Hays	D24/114					
8,034,034 B2 *	10/2011	Hess	A61B 17/8833	604/187				
D674,086 S *	1/2013	Khalaj	D24/114					
8,876,764 B2 *	11/2014	Tsals	A61B 5/150748	604/115				
D739,524 S *	9/2015	Zemel	D24/114					
D792,969 S *	7/2017	Taylor	D24/130					
D804,651 S *	12/2017	Loonan	D24/114					
2002/0151851 A1 *	10/2002	Fu	A61M 5/3202	604/192				
2003/0055383 A1 *	3/2003	Bush, Jr.	A61M 5/3234	604/181				
2003/0065290 A1 *	4/2003	Shyu	A61M 5/322	604/187				
2003/0199816 A1 *	10/2003	Ramming	A61M 5/284	604/89				
2004/0006313 A1 *	1/2004	Chian	A61M 5/322	604/198				
2005/0228345 A1 *	10/2005	Yang	A61M 5/3271	604/110				
2007/0005014 A1 *	1/2007	Lin	A61M 5/322	604/110				
2007/0055203 A1 *	3/2007	Miller	A61M 5/3273	604/158				
2008/0114307 A1 *	5/2008	Smith	A61M 5/2455	604/240				
2008/0262435 A1 *	10/2008	Erickson	A61M 5/31531	604/192				
2012/0226239 A1 *	9/2012	Green	A61M 5/1782	604/192				
2013/0204165 A1 *	8/2013	Perry	A61B 10/0045	600/587				
2013/0261564 A1 *	10/2013	Wong	A61M 5/3257	604/263				
2015/0057608 A1 *	2/2015	Hitscherich, Jr.	...	A61M 5/3137	604/91				
2016/0259913 A1 *	9/2016	Yu	A61M 5/31					
2017/0312455 A1 *	11/2017	Mirov	A61M 5/31568					

* cited by examiner

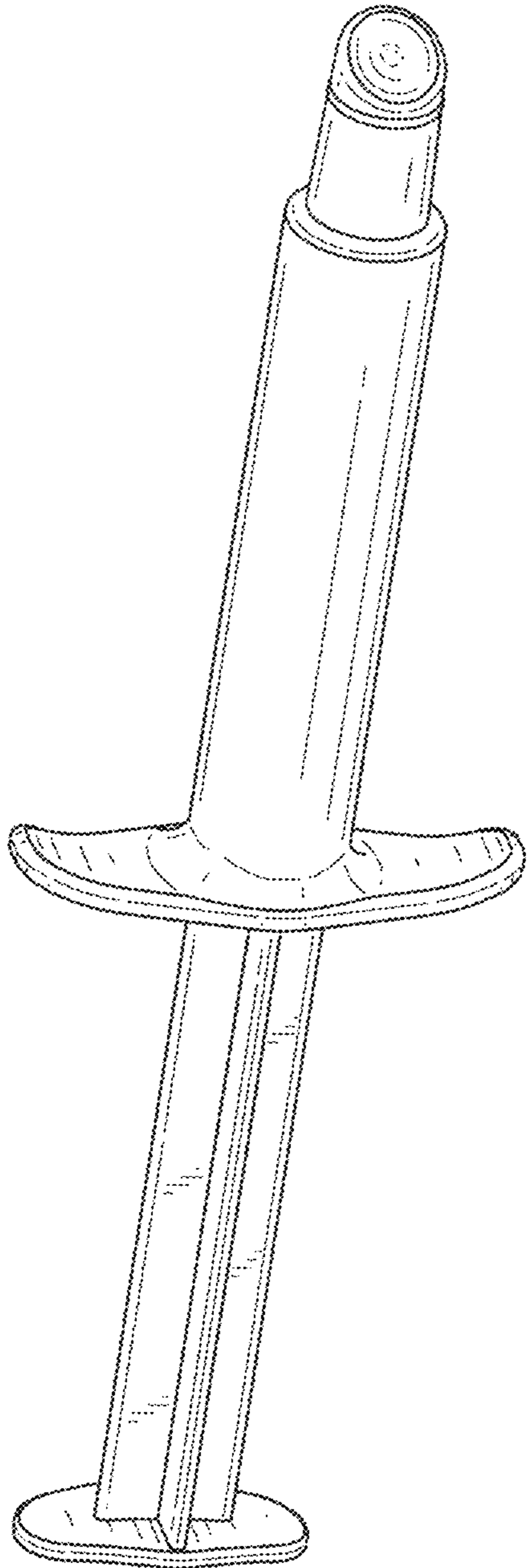


FIG. 1

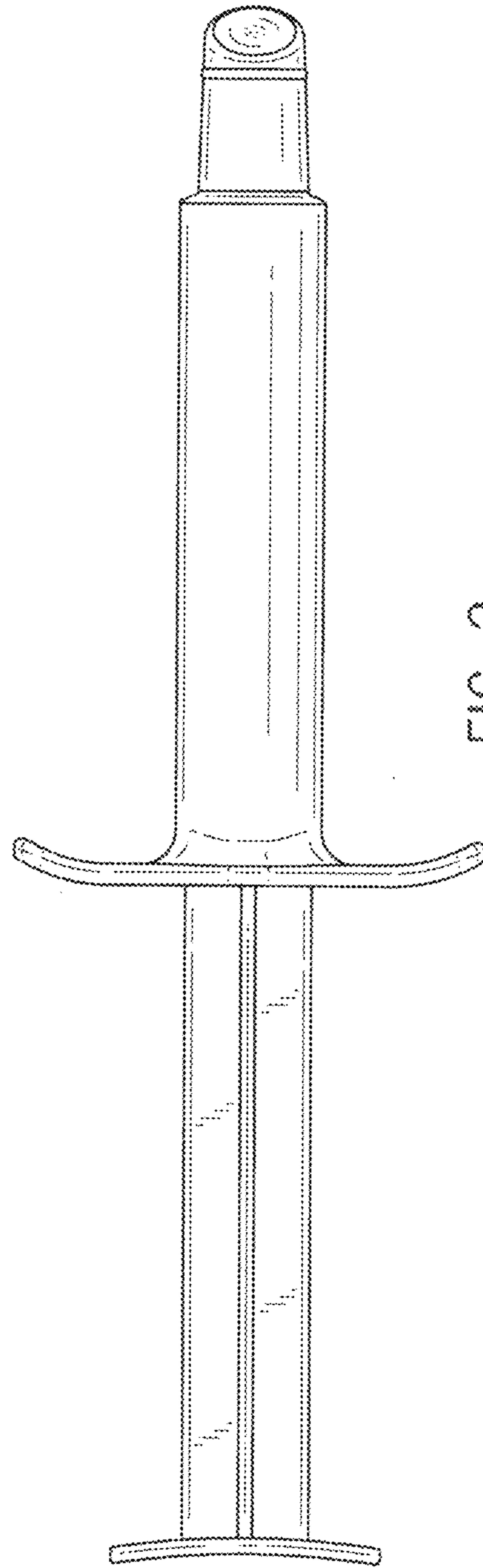


FIG. 2

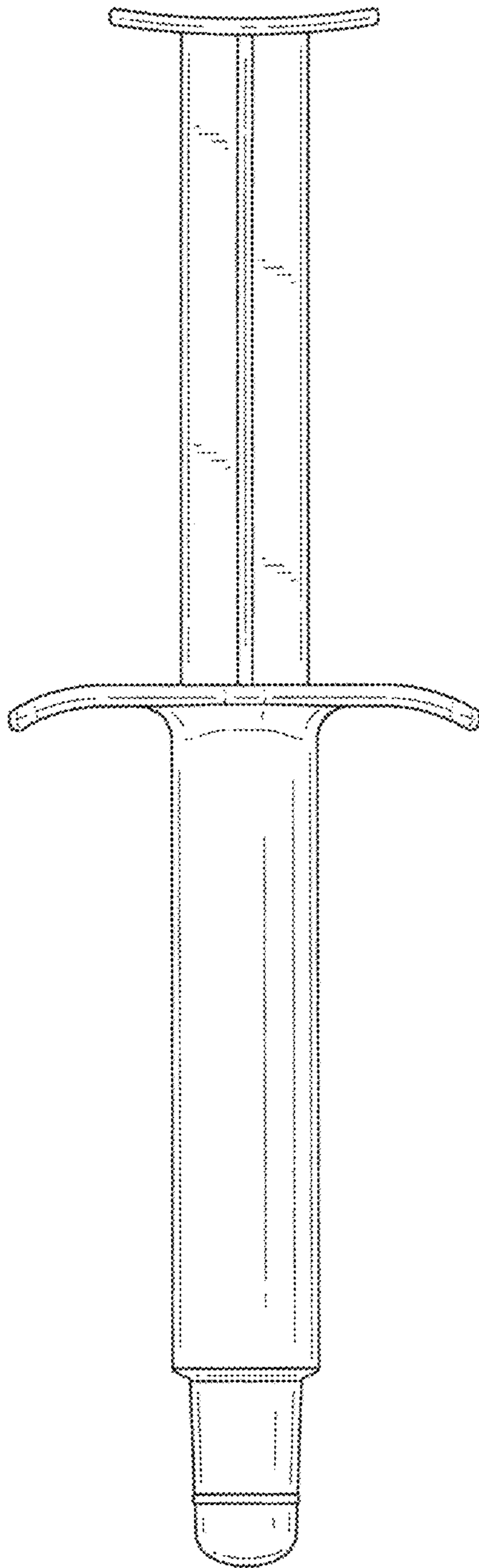


FIG. 3

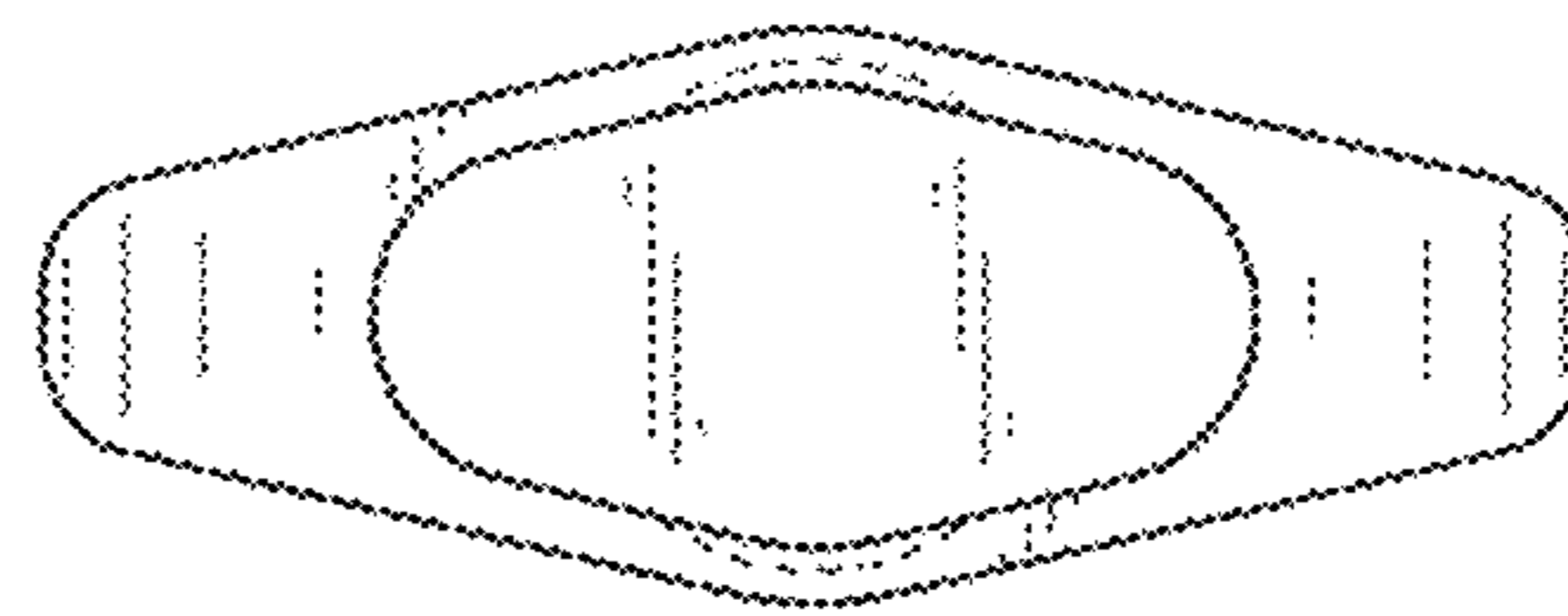


FIG. 4

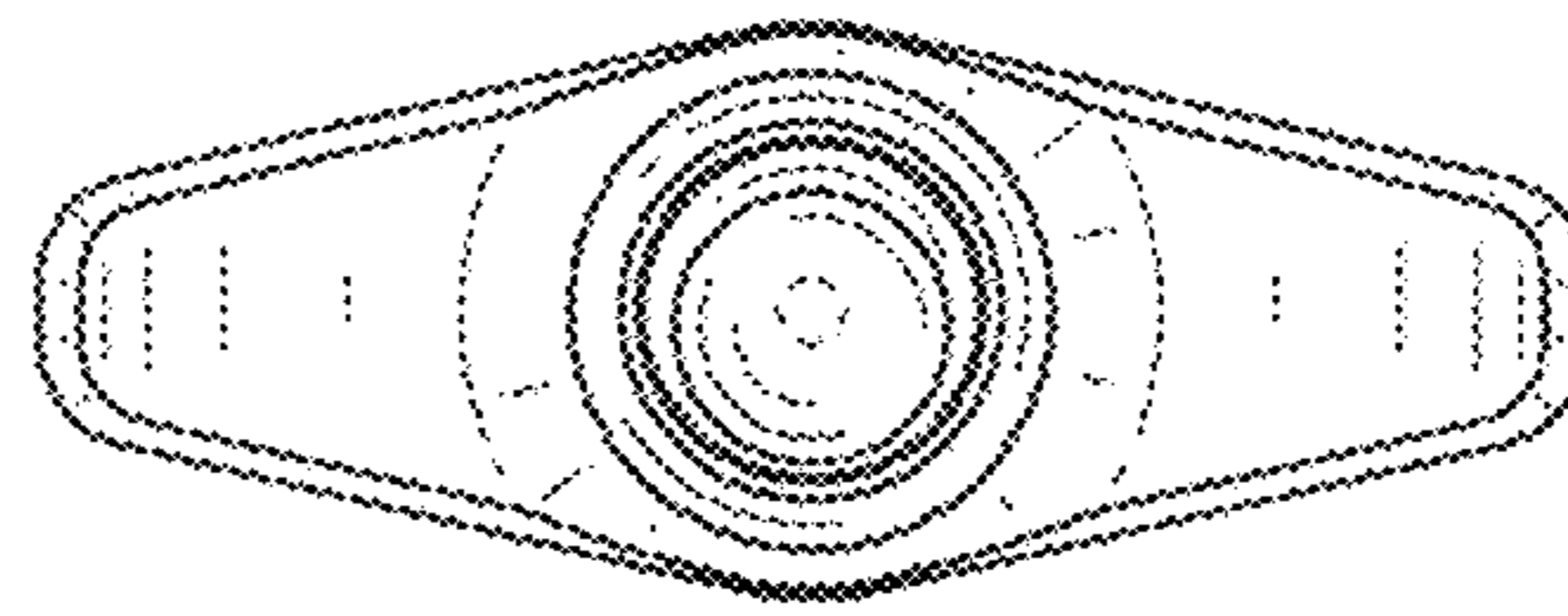


FIG. 5

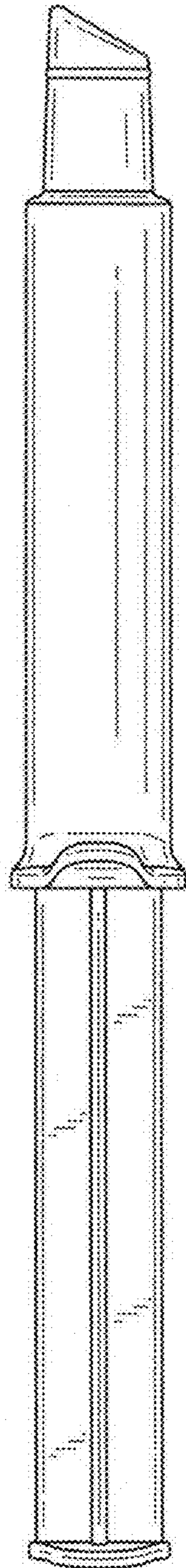


FIG. 6