



US00D878568S

(12) **United States Design Patent**
Yim et al.

(10) **Patent No.:** **US D878,568 S**
(45) **Date of Patent:** **** Mar. 17, 2020**

- (54) **UNIT DOSE SYRINGE**
- (71) Applicant: **Amedcon Healthcare Manufacturing Ltd., Kowloon (HK)**
- (72) Inventors: **Wing Chun Yim, Kowloon (HK); Alex Chen, Kowloon (HK)**
- (73) Assignee: **Amedcon Healthcare Manufacturing Ltd., Kowloon (HK)**

D575,865 S *	8/2008	Keuffel	D24/113
D641,078 S *	7/2011	Morgan	D24/114
D649,632 S *	11/2011	Morgan	D24/114
D661,389 S *	6/2012	Morgan	D24/114
D760,382 S *	6/2016	Eisele	D24/113
D768,848 S *	10/2016	Cooper	D24/113
D828,919 S *	9/2018	Eisele	D24/113
D837,366 S *	1/2019	Yeom	D24/113
2012/0130344 A1 *	5/2012	Ebbett	A61D 7/00 604/506
2013/0079717 A1 *	3/2013	Torris	A61M 5/326 604/110

(**) Term: **15 Years**

(21) Appl. No.: **29/600,988**

(22) Filed: **Apr. 18, 2017**

(30) **Foreign Application Priority Data**

Oct. 18, 2016 (CN) 2016 3 0508075

(51) **LOC (12) Cl.** **24-02**

(52) **U.S. Cl.**
USPC **D24/114**

(58) **Field of Classification Search**
USPC D24/112-114, 133, 186, 104, 127, 130;
606/181, 185; 604/264, 272, 115, 232,
604/187, 158, 164.08, 192, 263, 163, 181,
604/184, 198, 227
CPC A61M 5/31596; A61M 2005/1787; A61M
2005/31508; A61M 5/31511; A61M
2005/3121; A61M 2005/31598; A61M
2005/3123
See application file for complete search history.

(56) **References Cited**

U.S. PATENT DOCUMENTS

D412,746 S *	8/1999	Pasini	D24/112
D484,239 S *	12/2003	Anderson	D24/112
D497,204 S *	10/2004	Von Amende	D24/112

OTHER PUBLICATIONS

Premier dental website, Traxodent product video, Apr. 18, 2018, <https://www.youtube.com/watch?v=uJ-umMQASUI> (Year: 2018).*

* cited by examiner

Primary Examiner — Nathan M Johnston
(74) *Attorney, Agent, or Firm* — Myers Bigel, P.A.

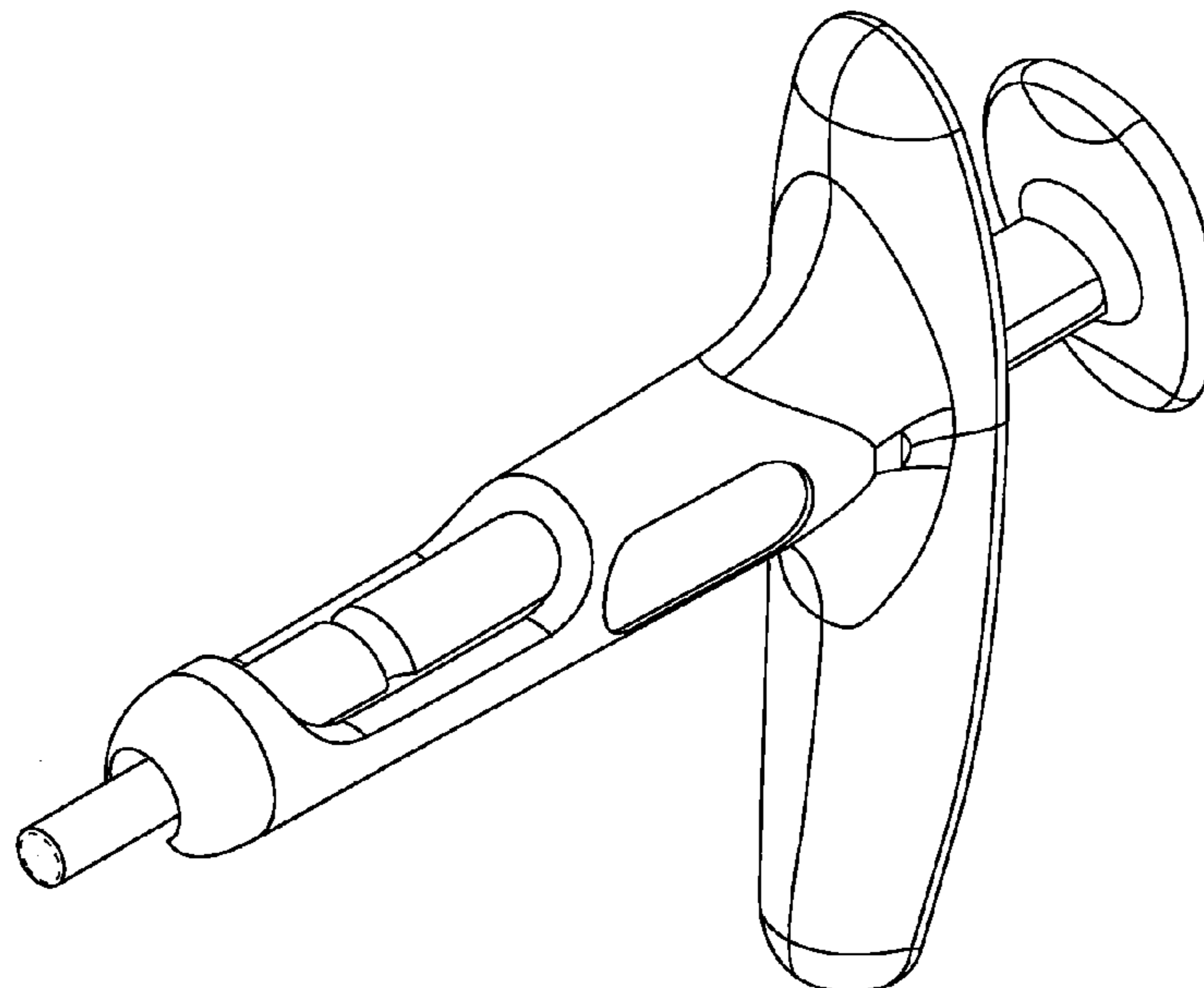
(57) **CLAIM**

The ornamental design for the unit dose syringe, as shown and described.

DESCRIPTION

FIG. 1 is a perspective view of a unit dose syringe showing our new design;
FIG. 2 is a front view thereof;
FIG. 3 is a rear view thereof;
FIG. 4 is a side view thereof;
FIG. 5 is an opposing side view thereof;
FIG. 6 is a top view thereof; and,
FIG. 7 is a bottom view thereof.
The broken lines show portions of the design that form no part of the claimed design.

1 Claim, 7 Drawing Sheets



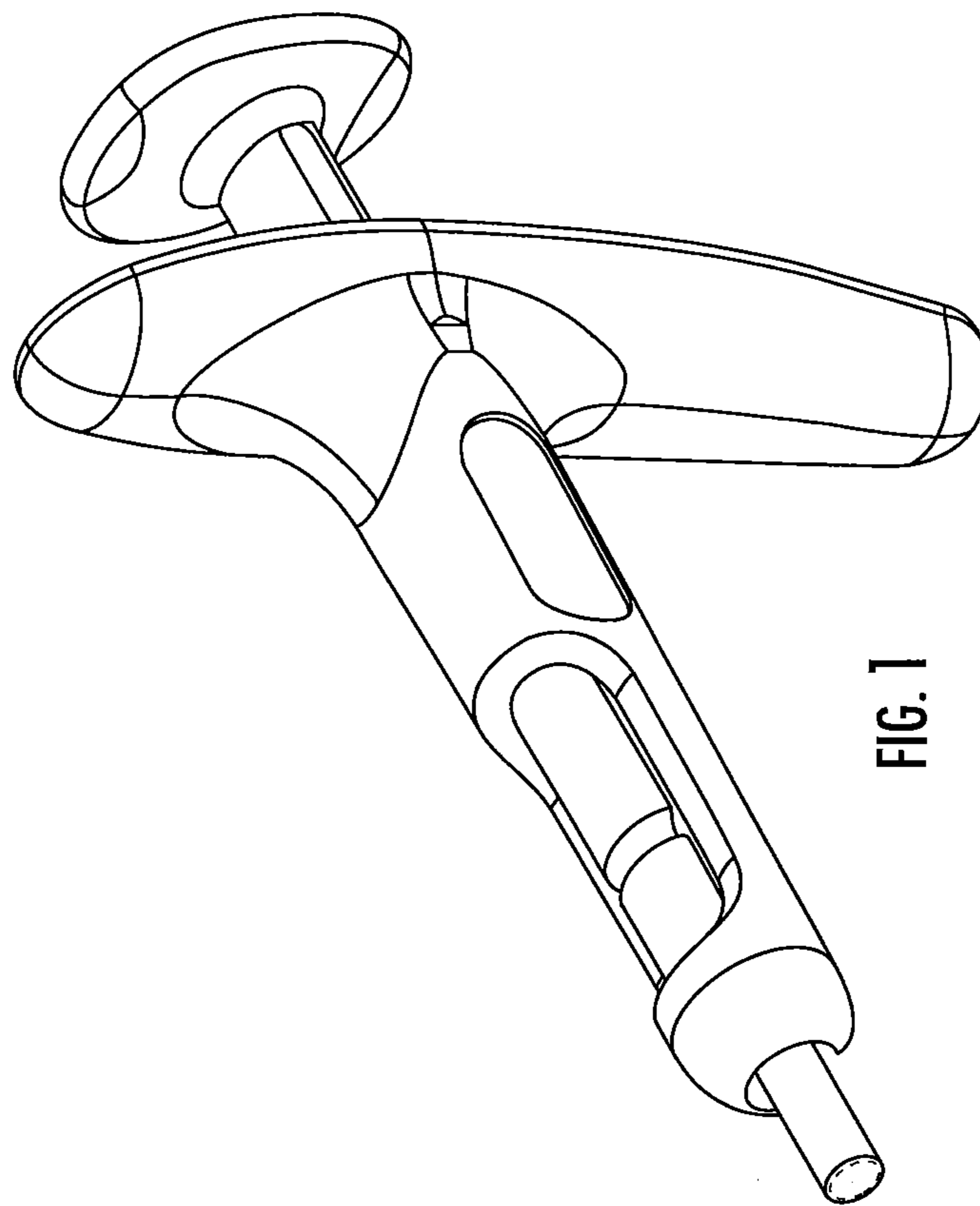


FIG. 1

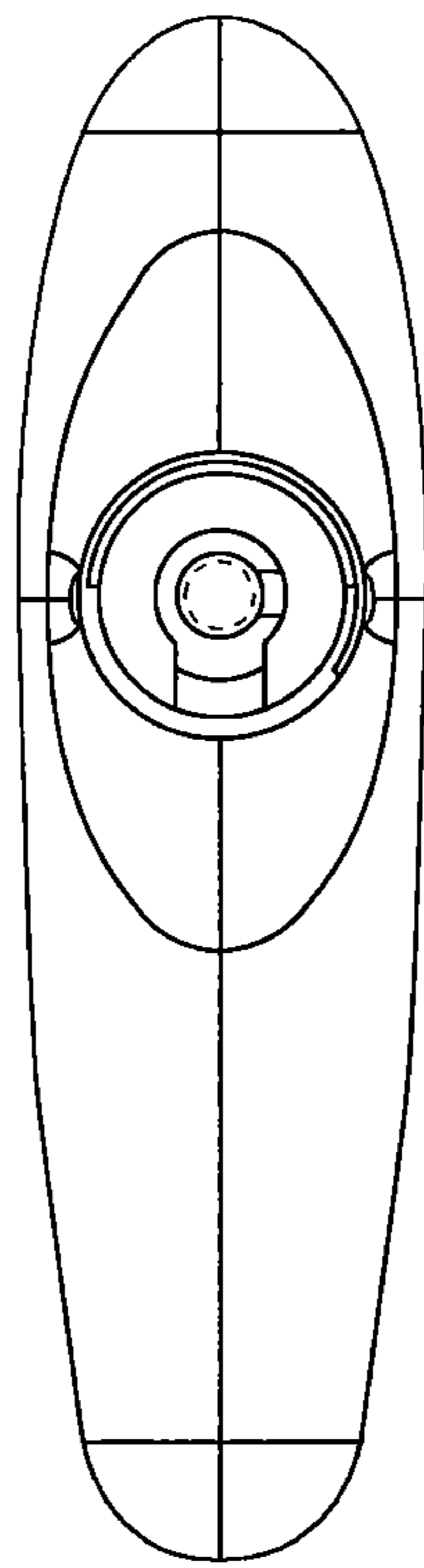


FIG. 2

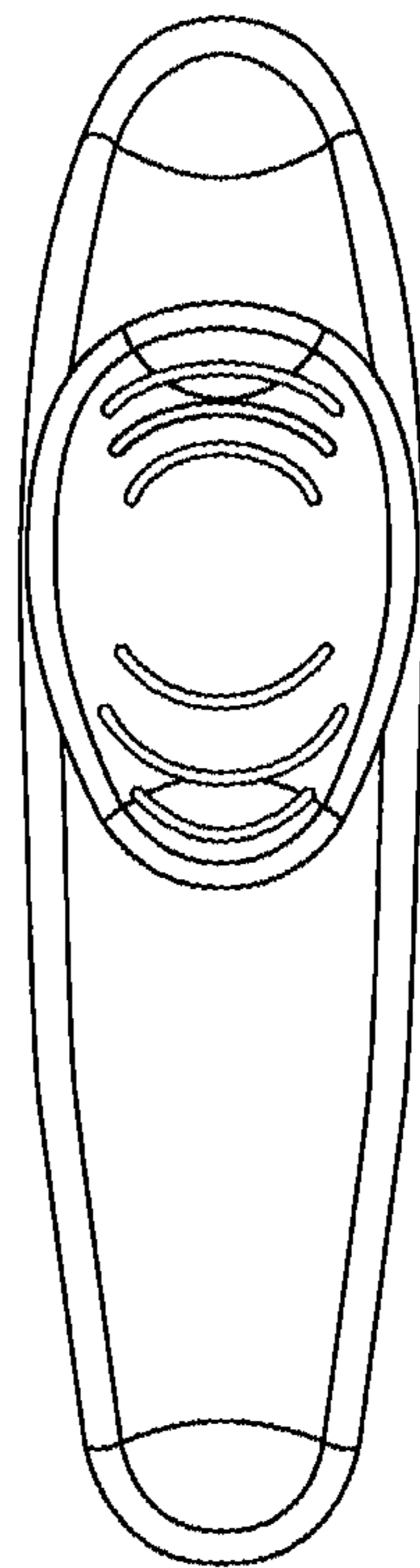


FIG. 3

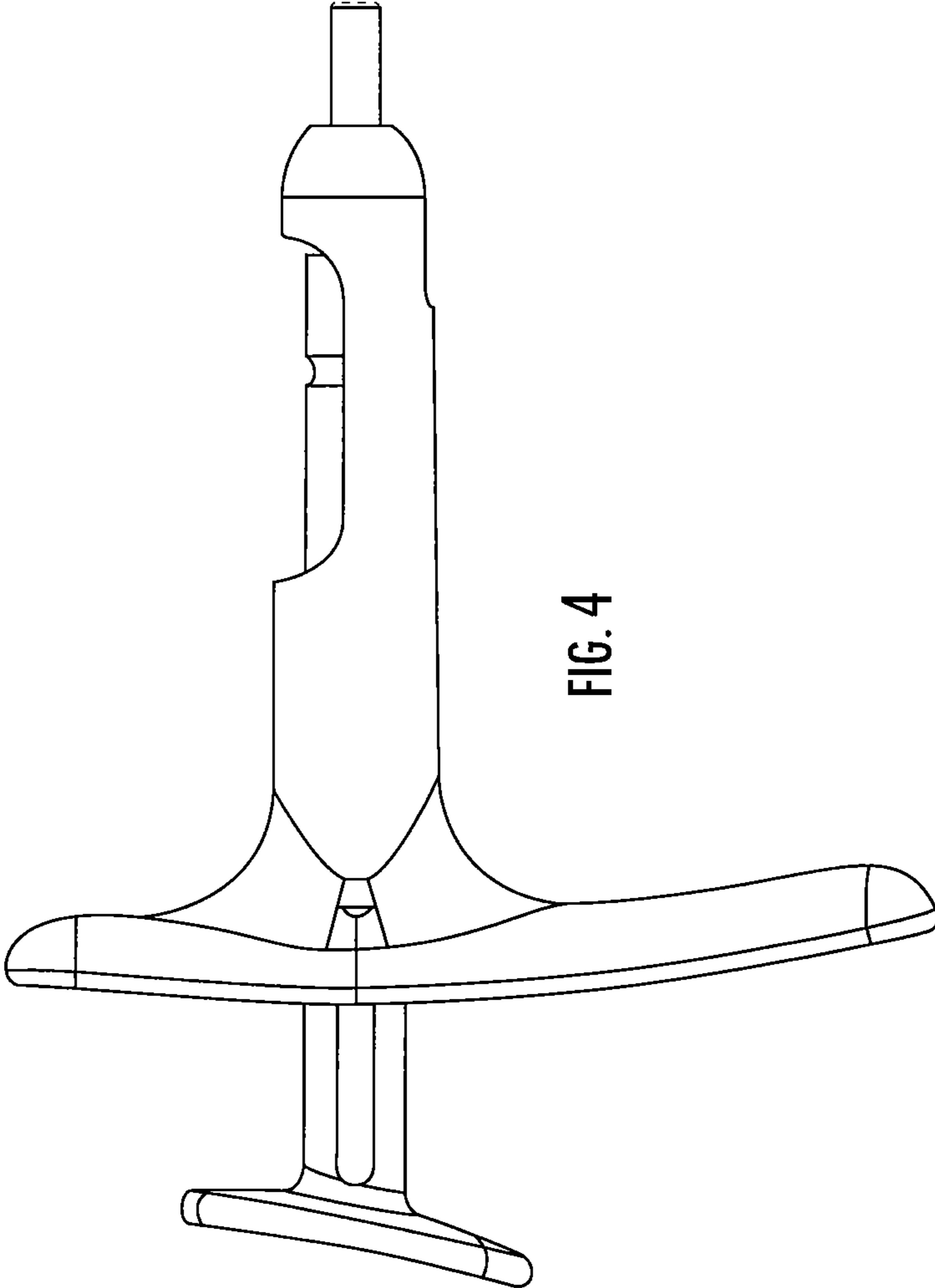


FIG. 4

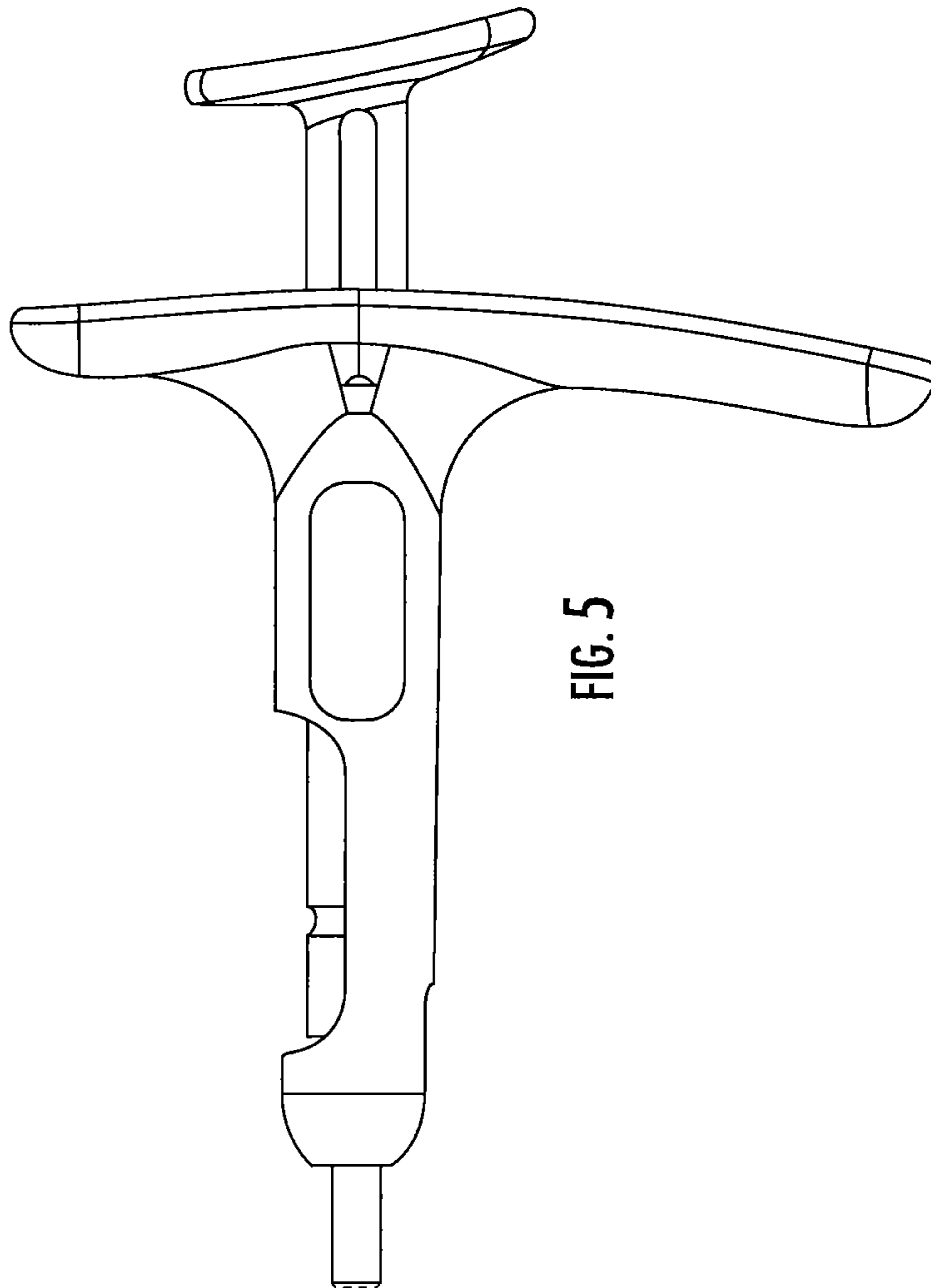


FIG. 5

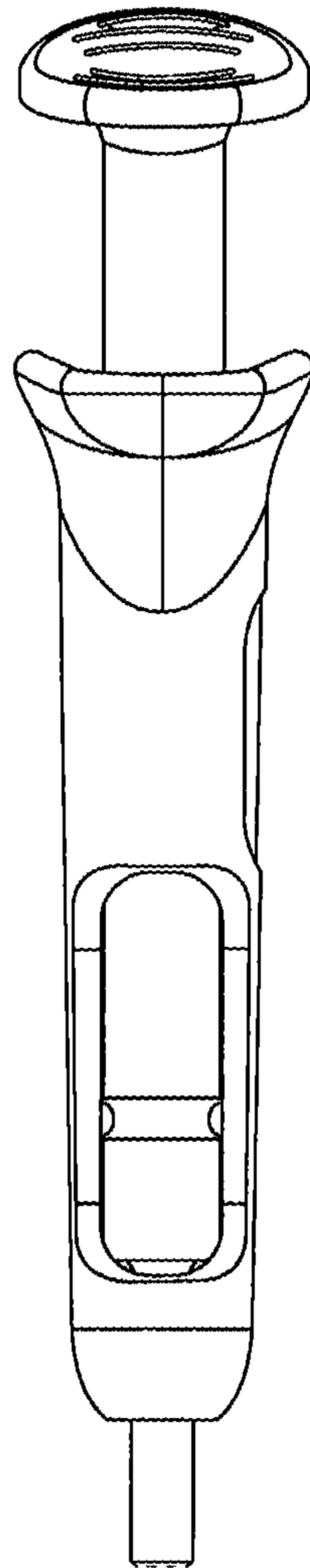


FIG. 6

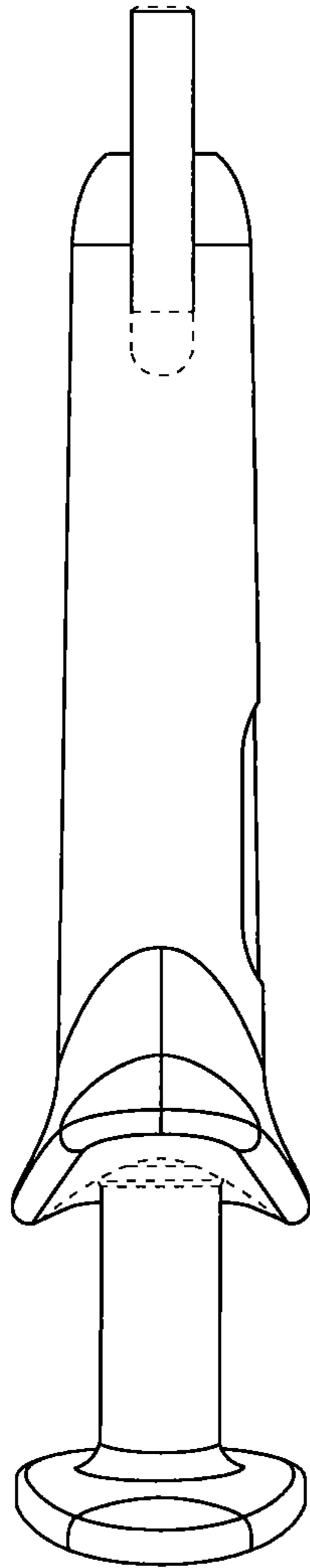


FIG. 7

UNITED STATES PATENT AND TRADEMARK OFFICE
CERTIFICATE OF CORRECTION

PATENT NO. : D878,568 S
APPLICATION NO. : 29/600988
DATED : March 17, 2020
INVENTOR(S) : Yim et al.

Page 1 of 1

It is certified that error appears in the above-identified patent and that said Letters Patent is hereby corrected as shown below:

On the Title Page

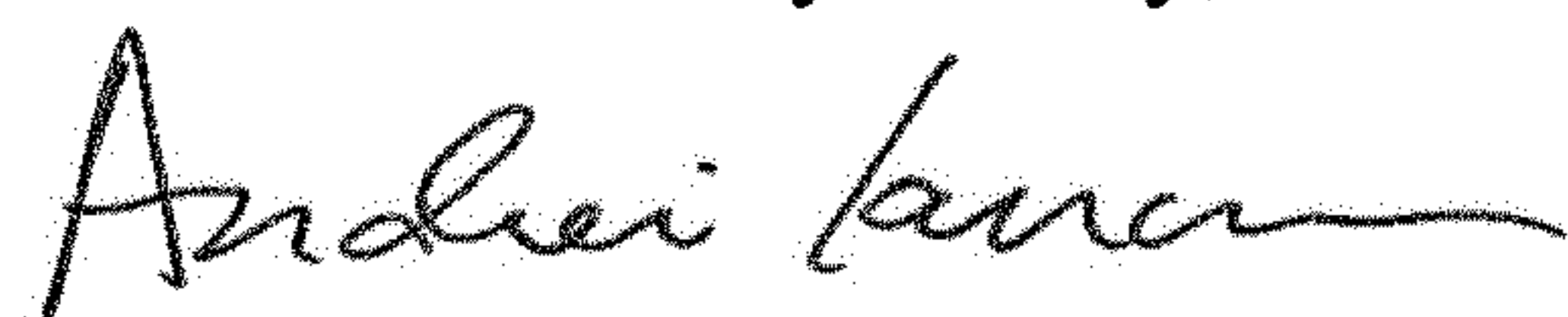
Item (73) Assignee:

Please correct "Amedeon Healthcare Manufacturing, Ltd." to read -- Amedcon Healthcare Manufacturing, Ltd. --

Item (30) Foreign Application Priority Data:

Please correct "(CN) 2016 3 0508075" to read -- (CN) 2016 3 0508075.0 --

Signed and Sealed this
Fourteenth Day of July, 2020



Andrei Iancu
Director of the United States Patent and Trademark Office