



US00D878566S

(12) **United States Design Patent** (10) **Patent No.:** **US D878,566 S**
Jansen (45) **Date of Patent:** **** Mar. 17, 2020**

(54) **MEDICAL INJECTOR**
(71) Applicant: **HASELMEIER AG**, St. Gallen (CH)
(72) Inventor: **Paul Edward Jansen**, Boston, MA (US)
(73) Assignee: **Haselmeier AG**, St. Gallen (CH)
(**) Term: **15 Years**
(21) Appl. No.: **29/655,495**

D688,792 S * 8/2013 Guarraia D24/113
D696,771 S * 12/2013 Schneider D24/113
D703,314 S * 4/2014 Schneider D24/113
D725,771 S * 3/2015 Sendatzki D24/113
D729,875 S * 5/2015 Xu D19/177
D743,539 S * 11/2015 Chung D24/113
D752,210 S * 3/2016 Amend Kwasnik D24/113
D773,038 S * 11/2016 Tanner D24/113
D773,647 S * 12/2016 Amend Kwasnik D24/113
9,943,649 B2 * 4/2018 Shang A61M 5/2033
D841,737 S * 2/2019 Hallar D19/177
D844,775 S * 4/2019 Jansen D24/112

(Continued)

(22) Filed: **Jul. 3, 2018**
(51) **LOC (12) Cl.** **24-02**
(52) **U.S. Cl.**
USPC **D24/113**
(58) **Field of Classification Search**
USPC D24/112-114, 133, 186, 127-131;
606/181, 185; 604/264, 272, 115, 232,
604/187, 158, 164.08, 192, 263, 163, 181,
604/184, 198, 227; 600/101, 139, 143;
128/200.24, 207.14, 207.15;
D19/115-123, 177, 193
CPC A61M 5/3156; A61M 5/31591; A61M
5/3155; A61M 5/3157; A61M 5/24;
A61M 5/31501; A61M 5/31551; A61M
5/31585; A61M 2005/2407; A61M
2005/2492; A61M 2205/581; A61M
2205/582
See application file for complete search history.

OTHER PUBLICATIONS

FlexTouch Ad: NovoLog FlexPen: downloaded on Jul. 2, 2018
<https://www.novologmix70-30pro.com/device/flexpendemo.html> Jul.
2017, downloaded on Jul. 2, 2018.

Primary Examiner — Nathan M Johnston
(74) *Attorney, Agent, or Firm* — Walter Ottesen, P.A.

(57) **CLAIM**

The ornamental design for a medical injector, as shown and described.

DESCRIPTION

FIG. 1 is a perspective view of the housing viewed from the rear and left of and above the medical injector;
FIG. 2 is a perspective view of the housing viewed from the front and right of and above the medical injector
FIG. 3 is a top plan view thereof;
FIG. 4 is a bottom plan view thereof;
FIG. 5 is a left side elevation view thereof;
FIG. 6 is a right side elevation view thereof;
FIG. 7 is a front elevation view thereof; and,
FIG. 8 is a rear elevation view thereof.

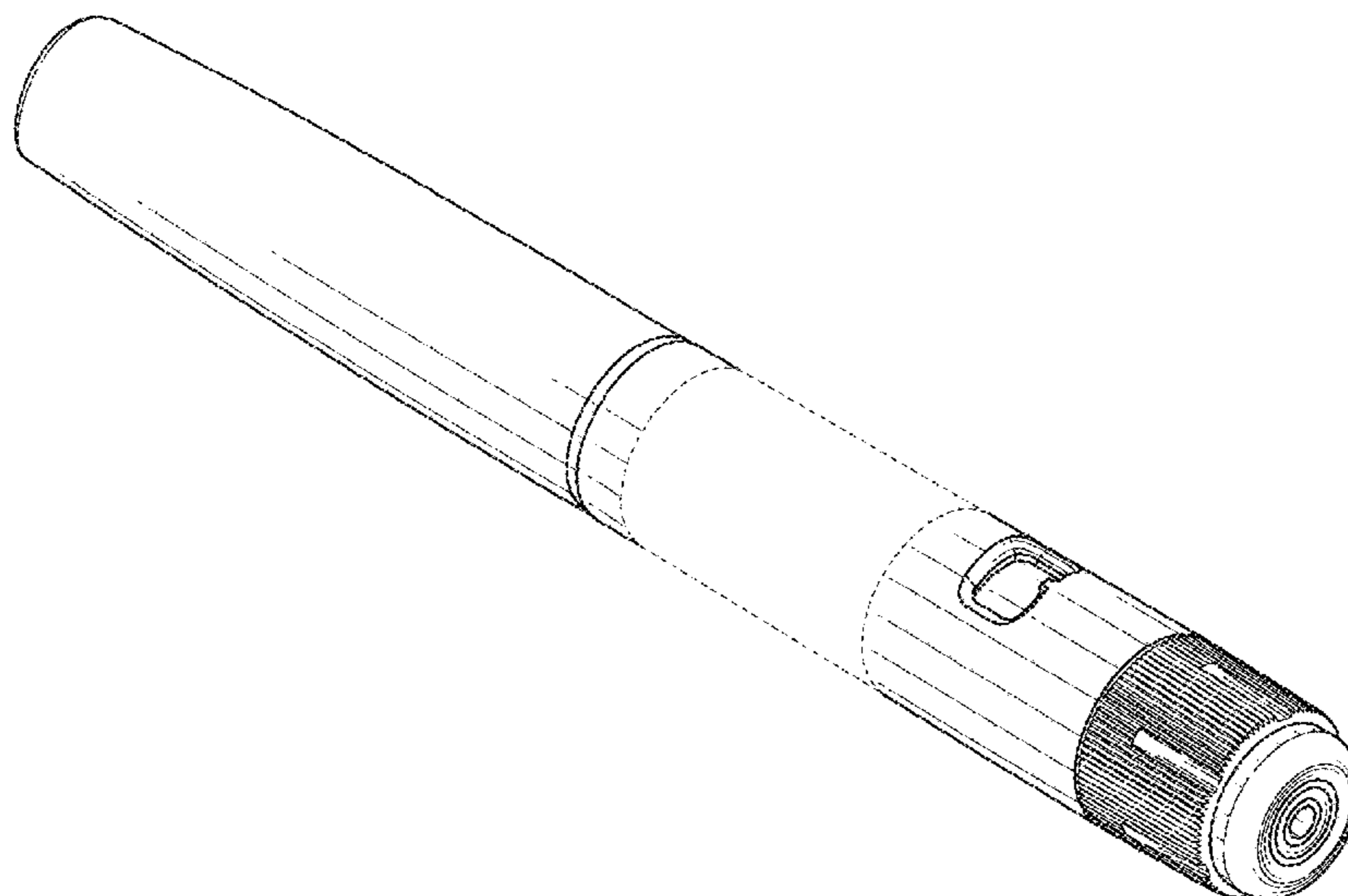
The broken line shown is for the purpose of illustrating portions of the article and defines the bounds of the claimed invention, but forms no part of the claimed design.

1 Claim, 4 Drawing Sheets

(56) **References Cited**

U.S. PATENT DOCUMENTS

D343,897 S * 2/1994 Rand D24/112
D479,603 S * 9/2003 Tyce D19/164
D479,748 S * 9/2003 Tyce D19/164
D501,253 S * 1/2005 Bainton D19/164
D503,797 S * 4/2005 Tyce D24/114
D540,465 S * 4/2007 Bainton D24/114
D619,702 S * 7/2010 Galbraith D24/114
D688,791 S * 8/2013 Guarraia D24/113



(56)

References Cited

U.S. PATENT DOCUMENTS

10,279,116 B2 * 5/2019 Plumptre A61M 5/24
2014/0052075 A1 * 2/2014 Schneider A61M 5/24
604/207
2014/0213984 A1 * 7/2014 Pawar A61M 5/31533
604/207
2014/0243753 A1 * 8/2014 Bostrom A61M 5/3202
604/198
2015/0174335 A1 * 6/2015 Roervig A61M 5/20
604/198
2017/0028141 A1 * 2/2017 Fiedler G09B 23/285

* cited by examiner

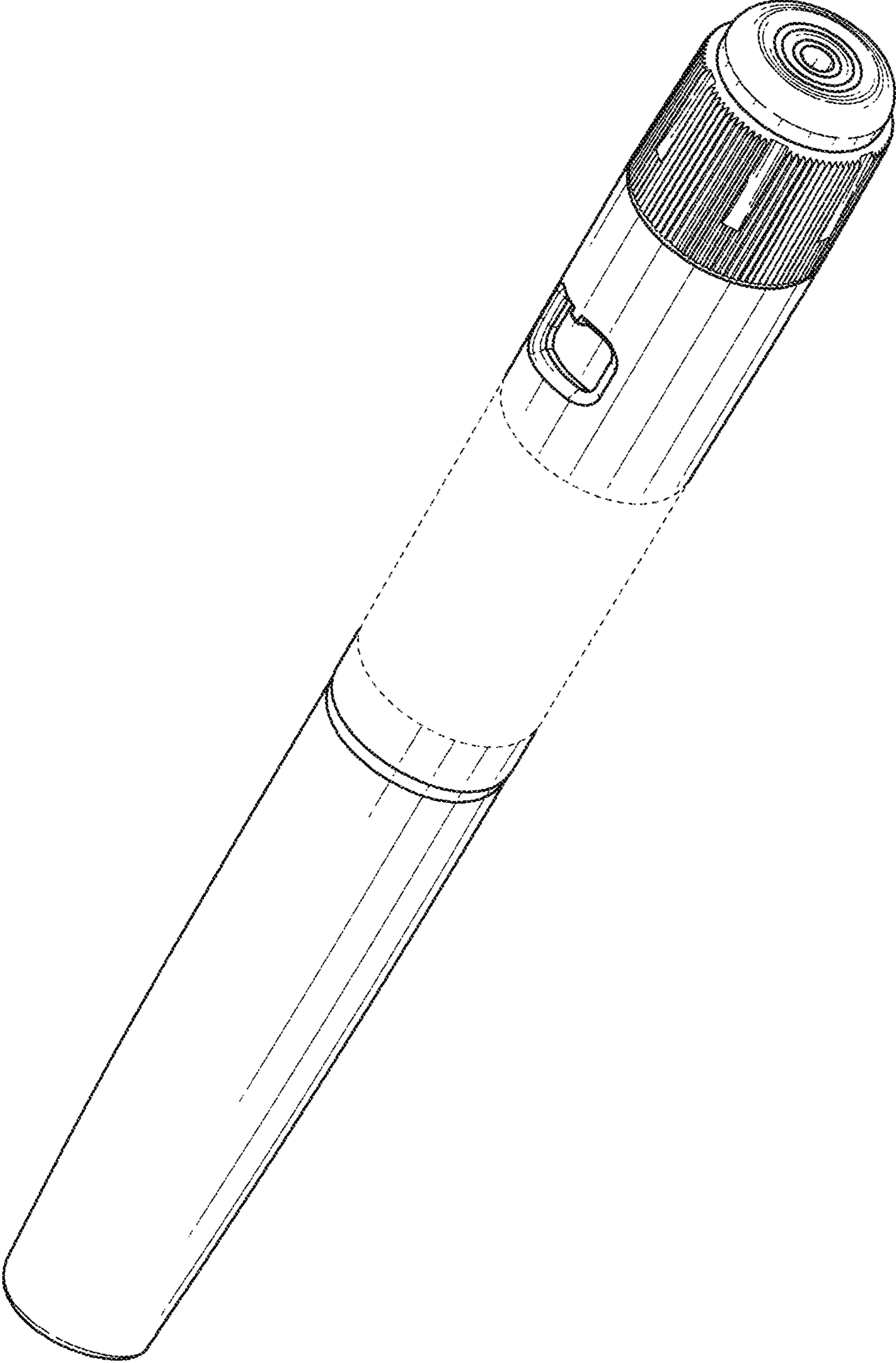


FIG. 1

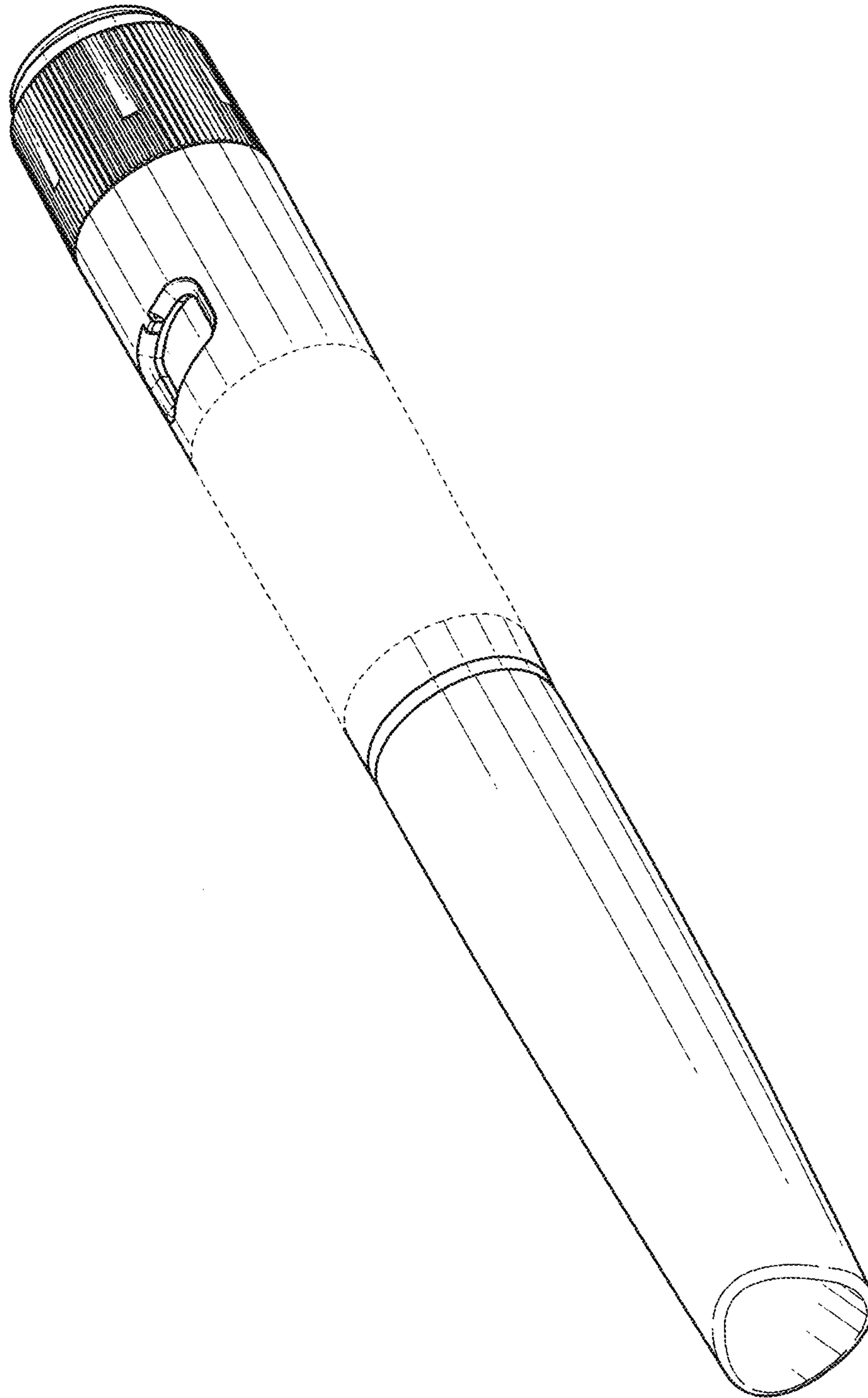


FIG. 2

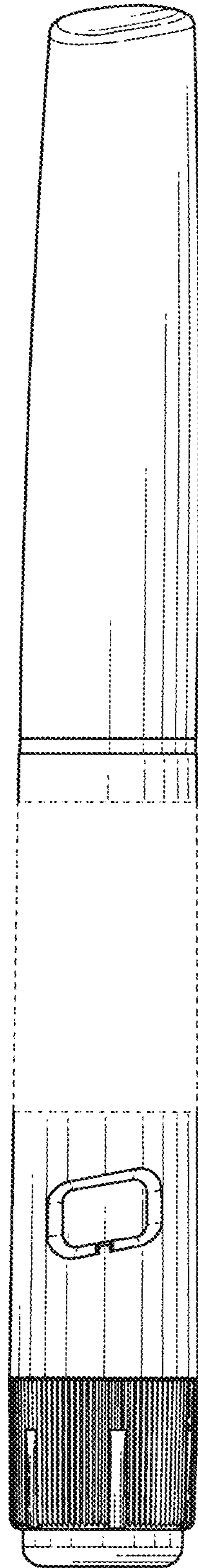


FIG. 3

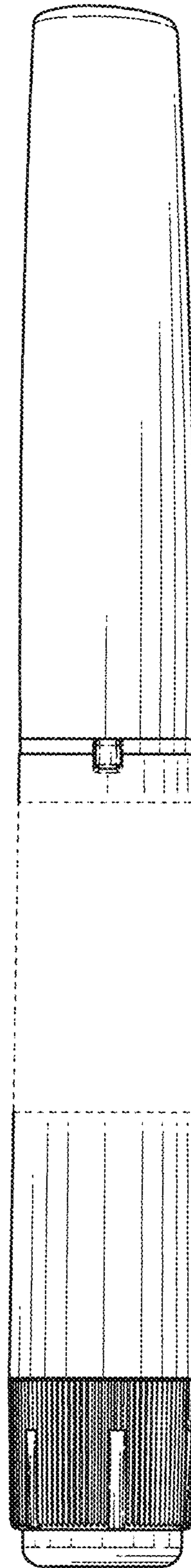


FIG. 4

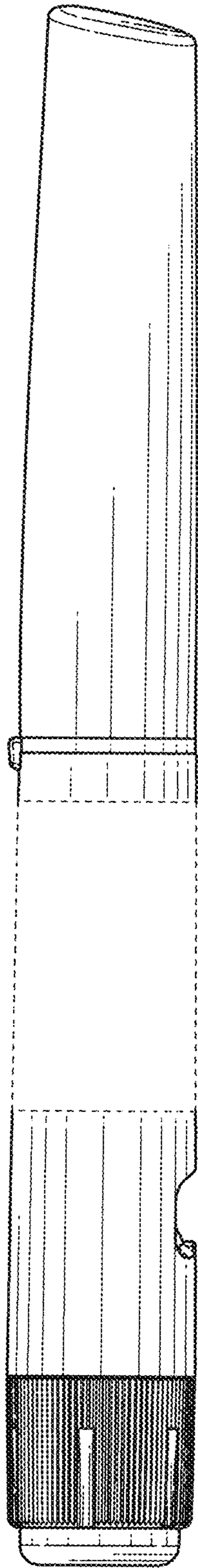


FIG. 5

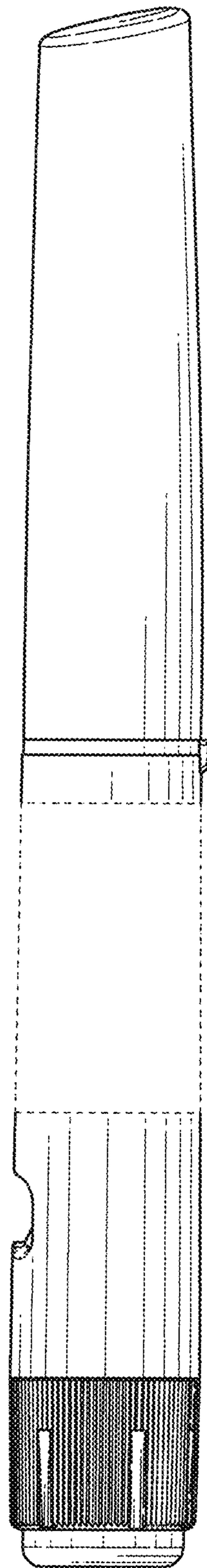


FIG. 6

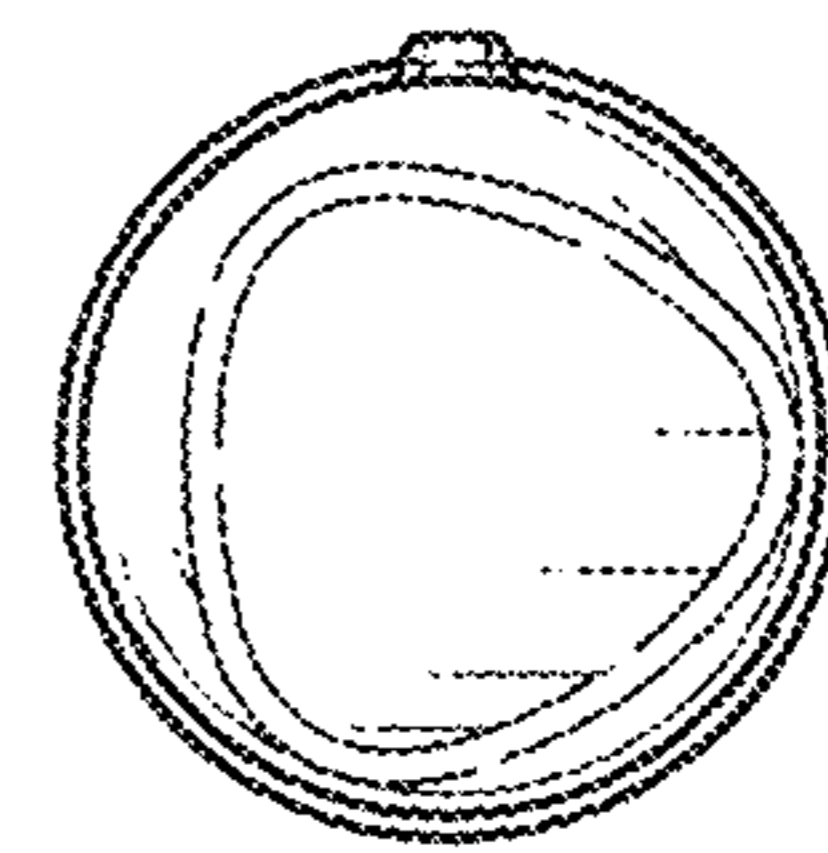


FIG. 7

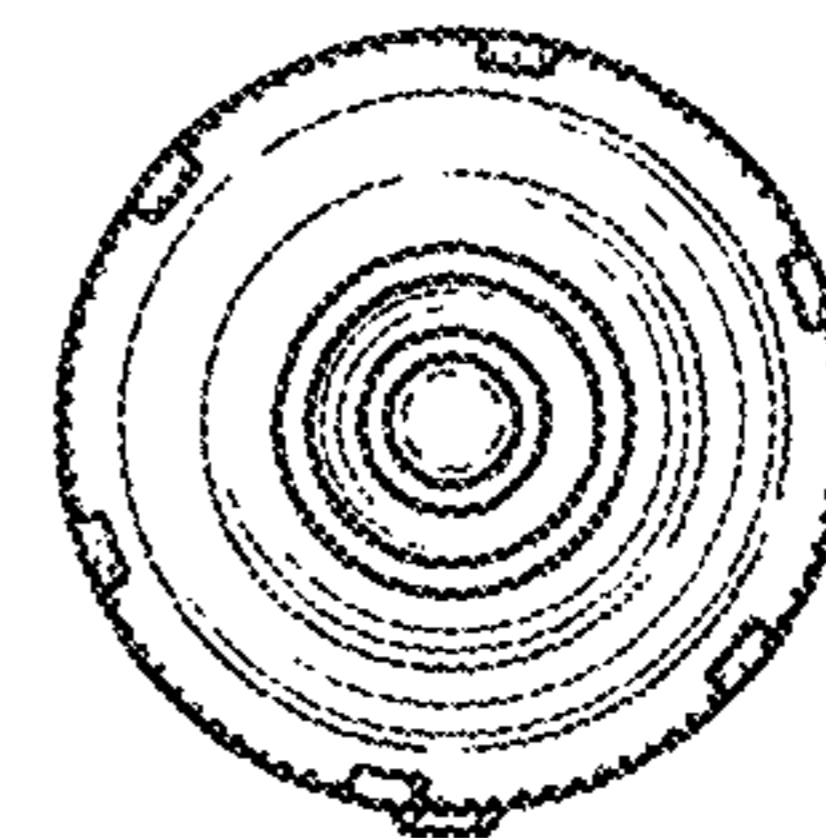


FIG. 8