



US00D878564S

(12) **United States Design Patent**
Clawson et al.

(10) **Patent No.:** **US D878,564 S**
(45) **Date of Patent:** **** Mar. 17, 2020**

- (54) **DRUG DELIVERY IMPLEMENT**
- (71) Applicant: **MedImmune, LLC**, Gaithersburg, MD (US)
- (72) Inventors: **Corbin Zean Clawson**, Germantown, MD (US); **Roger Wongjung Liu**, Potomac, MD (US); **Janardhanan Anand Subramony**, Potomac, MD (US)
- (73) Assignee: **MedImmune, LLC**, Gaithersburg, MD (US)

D328,643 S *	8/1992	Mitchell	D24/114
D335,344 S *	5/1993	Hastings	D24/114
D338,957 S *	8/1993	de Faire	D24/112
D347,688 S *	6/1994	Adams	D24/130
5,498,243 A *	3/1996	Vallelunga	A61M 5/3243 604/187
5,509,903 A *	4/1996	Grendahl	A61M 5/178 604/187
D378,406 S *	3/1997	Kugler	D24/112
D383,205 S *	9/1997	Pagay	D24/112
D401,324 S *	11/1998	Hjertman	D24/114
D419,671 S *	1/2000	Jansen	D24/112
D436,661 S *	1/2001	Berry	D24/114

(Continued)

- (**) Term: **15 Years**
- (21) Appl. No.: **29/649,944**
- (22) Filed: **Jun. 4, 2018**

Primary Examiner — Nathan M Johnston
(74) *Attorney, Agent, or Firm* — The H.T. Than Law Group

Related U.S. Application Data

- (62) Division of application No. 29/568,880, filed on Jun. 22, 2016, now Pat. No. Des. 822,199.
- (51) **LOC (12) Cl.** **24-02**
- (52) **U.S. Cl.**
USPC **D24/113**
- (58) **Field of Classification Search**
USPC D24/112–114, 133, 186, 104, 127, 130;
606/181, 185; 604/264, 272, 115, 232,
604/187, 158, 164.08, 192, 263, 163, 181,
604/184, 198, 227; D19/115–123, 177,
D19/193
CPC A61M 5/24; A61M 5/31551; A61M
5/31585; A61M 2005/2407; A61K
2300/00
See application file for complete search history.

(57) **CLAIM**

The ornamental design for the drug delivery implement, as shown and described.

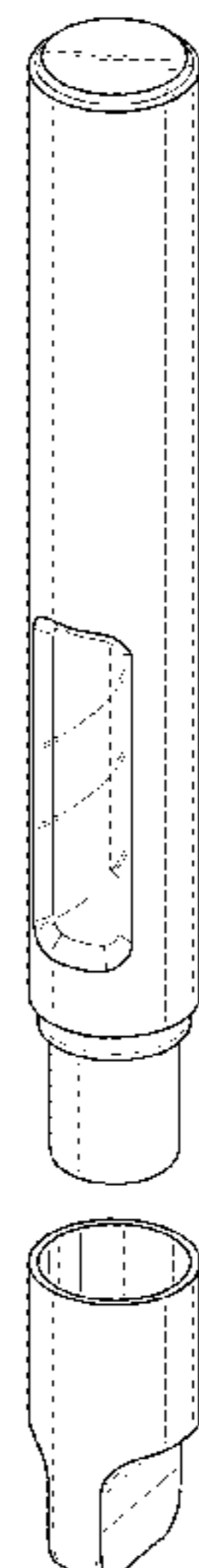
DESCRIPTION

FIG. 1 is a perspective view of an ornamental design for a drug delivery implement showing our new design; FIG. 2 is a front elevation view thereof; a rear elevation view being a mirror image thereof; FIG. 3 is a left side elevation view thereof; a right side elevation view being a mirror image thereof; FIG. 4 is a top plan view thereof; FIG. 5 is a bottom plan view thereof; and, FIG. 6 is a perspective view of FIG. 1 with a cap separated from the drug delivery implement. The broken lines illustrate portions of the drug delivery implements with translucent housing and form no part of the claimed design.

(56) **References Cited**
U.S. PATENT DOCUMENTS

- 4,936,833 A * 6/1990 Sams A61M 5/31553
222/391
- 5,092,842 A * 3/1992 Bechtold A61M 5/20
604/135

1 Claim, 4 Drawing Sheets



(56)

References Cited

U.S. PATENT DOCUMENTS

6,217,550 B1 *	4/2001	Capes	A61M 5/348 604/110	2004/0138629 A1 *	7/2004	Cipoletti	A61M 5/3275 604/263
6,217,559 B1 *	4/2001	Foster	A61M 5/3243 604/195	2004/0225258 A1 *	11/2004	Balestracci	A61M 5/3134 604/111
D445,176 S *	7/2001	Landers	D24/108	2005/0027260 A1 *	2/2005	Wang	A61M 5/3272 604/198
D469,178 S *	1/2003	Courteix	D24/130	2005/0063857 A1 *	3/2005	Alheidt	A61M 5/31511 422/28
D494,677 S *	8/2004	Garvin	D24/130	2005/0215954 A1 *	9/2005	Fago	B01F 5/0604 604/187
D495,303 S *	8/2004	Coullahan	D13/168	2011/0034879 A1 *	2/2011	Crow	A61M 5/2033 604/197
D520,139 S *	5/2006	Chaggares	D24/186	2011/0046559 A1 *	2/2011	Lum	A61M 5/3137 604/189
D544,092 S *	6/2007	Lewis	D24/108	2013/0012919 A1 *	1/2013	Becker	A61M 5/315 604/506
D622,685 S *	8/2010	Garra	D14/137	2014/0025013 A1 *	1/2014	Dowds	A61M 5/3129 604/198
7,976,493 B2 *	7/2011	Carter	A61M 5/14244 604/67	2014/0276446 A1 *	9/2014	Bokelman	A61M 5/3221 604/198
8,337,468 B1 *	12/2012	Reis	A61M 5/3257 604/181	2015/0250943 A1 *	9/2015	Momose	A61M 5/14276 604/151
8,512,279 B2 *	8/2013	Klein	G01N 21/11 604/93.01				
D714,266 S *	9/2014	Okamura	D14/191				
8,821,440 B2 *	9/2014	Sanchez	A61F 9/0017 604/113				
D769,438 S *	10/2016	Crosby	D24/110				

* cited by examiner

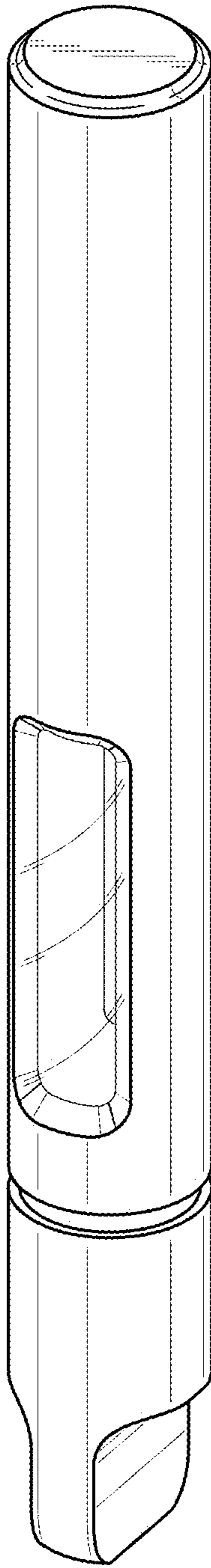


Fig. 1

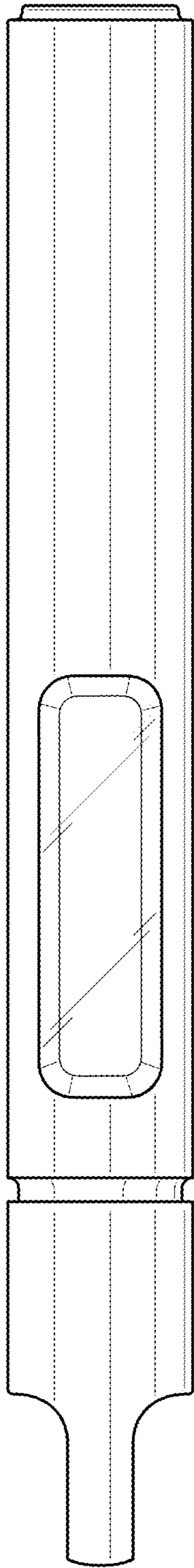


Fig. 2

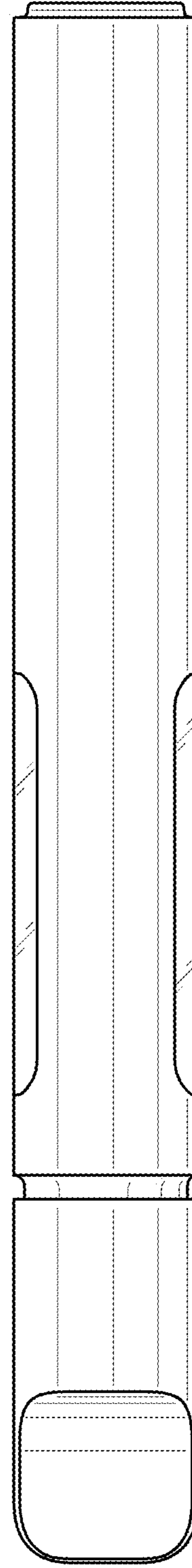


Fig. 3

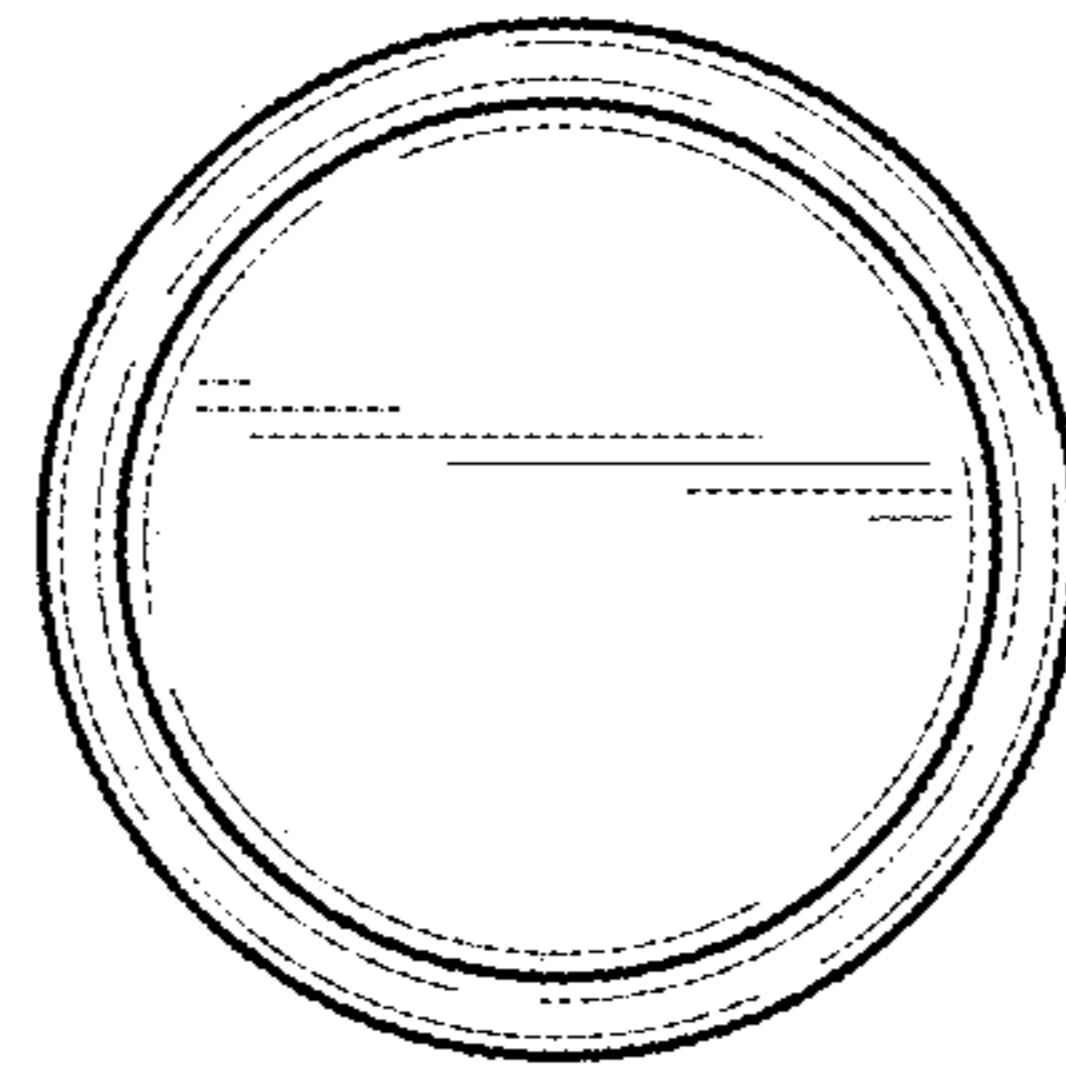


Fig. 4

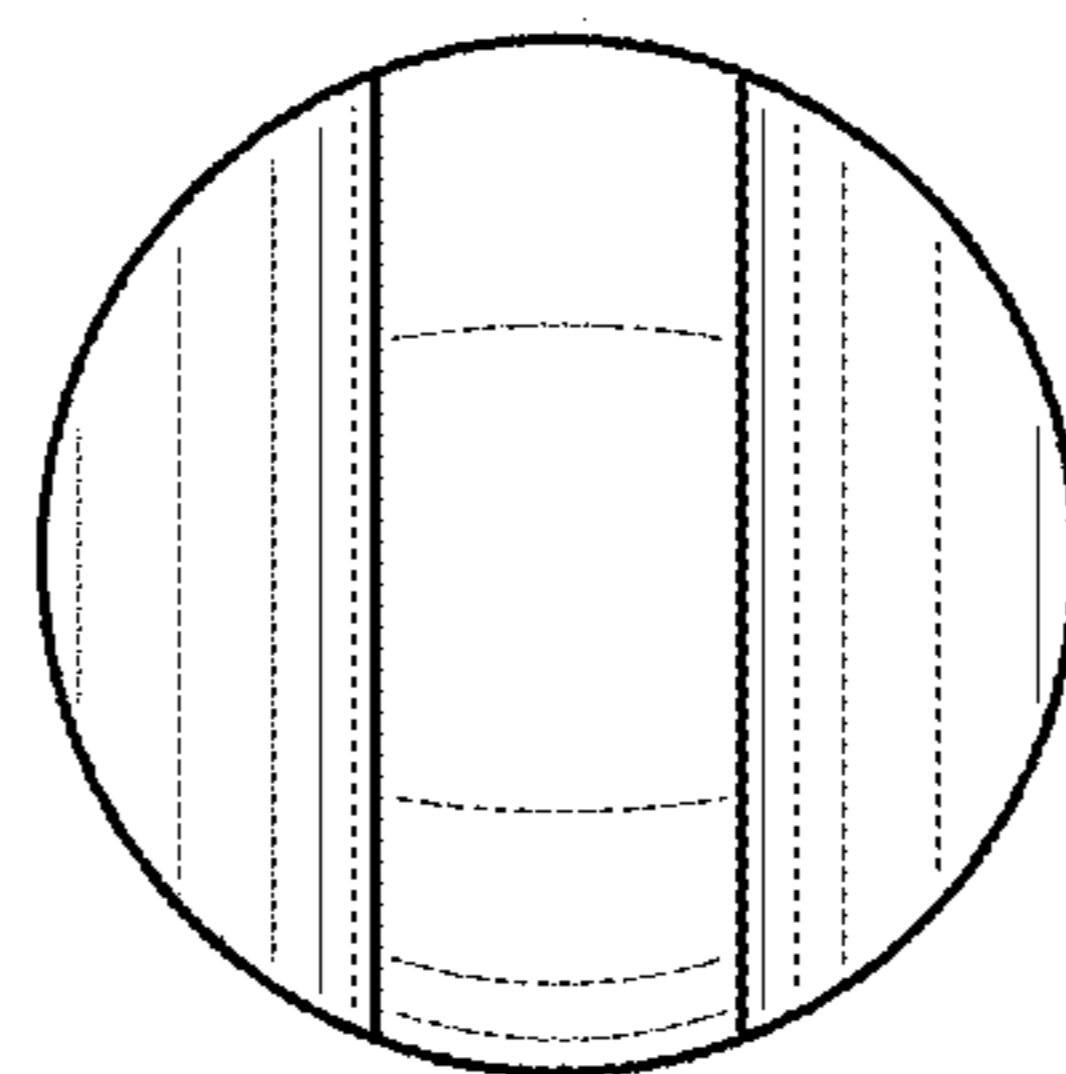


Fig. 5

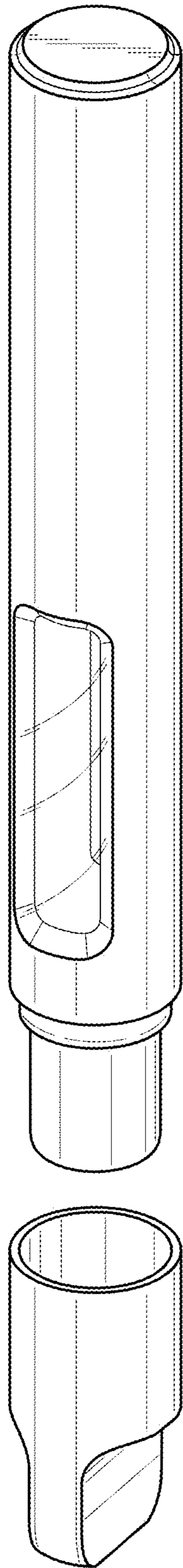


Fig. 6