



US00D878558S

(12) **United States Design Patent**
Ratjen

(10) **Patent No.:** **US D878,558 S**
(45) **Date of Patent:** **** Mar. 17, 2020**

- (54) **MEDICAL INJECTOR**
- (71) Applicant: **CAREBAY EUROPE LTD**, Sliema (MT)
- (72) Inventor: **Jochen Ratjen**, Nacka (SE)
- (73) Assignee: **SHL MEDICAL AG**, Zug (CH)
- (**) Term: **15 Years**
- (21) Appl. No.: **29/625,160**
- (22) Filed: **Nov. 7, 2017**

- D628,690 S 12/2010 Galbraith
- D677,380 S 3/2013 Julian et al.
- D739,011 S 9/2015 Morrison, Jr. et al.
- D758,567 S * 6/2016 Wohlfahrt D24/113
- D758,569 S 6/2016 Wohlfahrt et al.
- 9,402,957 B2 8/2016 Adams et al.
- D773,650 S 12/2016 Fourt et al.
- D777,912 S * 1/2017 Wohlfahrt D24/130
- D779,057 S * 2/2017 Wohlfahrt D24/130
- D783,816 S * 4/2017 Wohlfahrt D24/130
- D789,528 S * 6/2017 Wohlfahrt D24/130
- D800,303 S * 10/2017 Ratjen D24/130
- D819,198 S * 5/2018 Boyaval D24/113
- D819,200 S * 5/2018 Stonecipher D24/114
- 10,118,001 B2 * 11/2018 Fourt A61M 5/3204
- D861,859 S * 10/2019 Rapp D24/113
- 2008/0269692 A1 10/2008 James et al.

Related U.S. Application Data

- (63) Continuation of application No. 29/561,664, filed on Apr. 19, 2016, now Pat. No. Des. 810,282.

Foreign Application Priority Data

- Oct. 19, 2015 (EP) 002827402

- (51) **LOC (12) Cl.** **24-02**
- (52) **U.S. Cl.**
USPC **D24/113**

- (58) **Field of Classification Search**
USPC D24/112-114, 133, 186, 127-131;
606/181, 185; 604/264, 272, 115, 232,
604/187, 158, 164.08, 192, 263, 163, 181,
604/184, 198, 227; 600/101, 139, 143;
128/200.24, 207.14, 207.15;
D19/115-123, 177, 193
CPC A61M 5/2033; A61M 2005/206; A61M
5/326; A61M 5/3202; A61M 2005/208
See application file for complete search history.

(56) **References Cited**

U.S. PATENT DOCUMENTS

- D561,894 S 2/2008 Hudson
- D619,244 S 7/2010 Van der Stappen

(Continued)

Primary Examiner — Nathan M Johnston
(74) *Attorney, Agent, or Firm* — McDonnell Boehnen Hulbert & Berghoff LLP

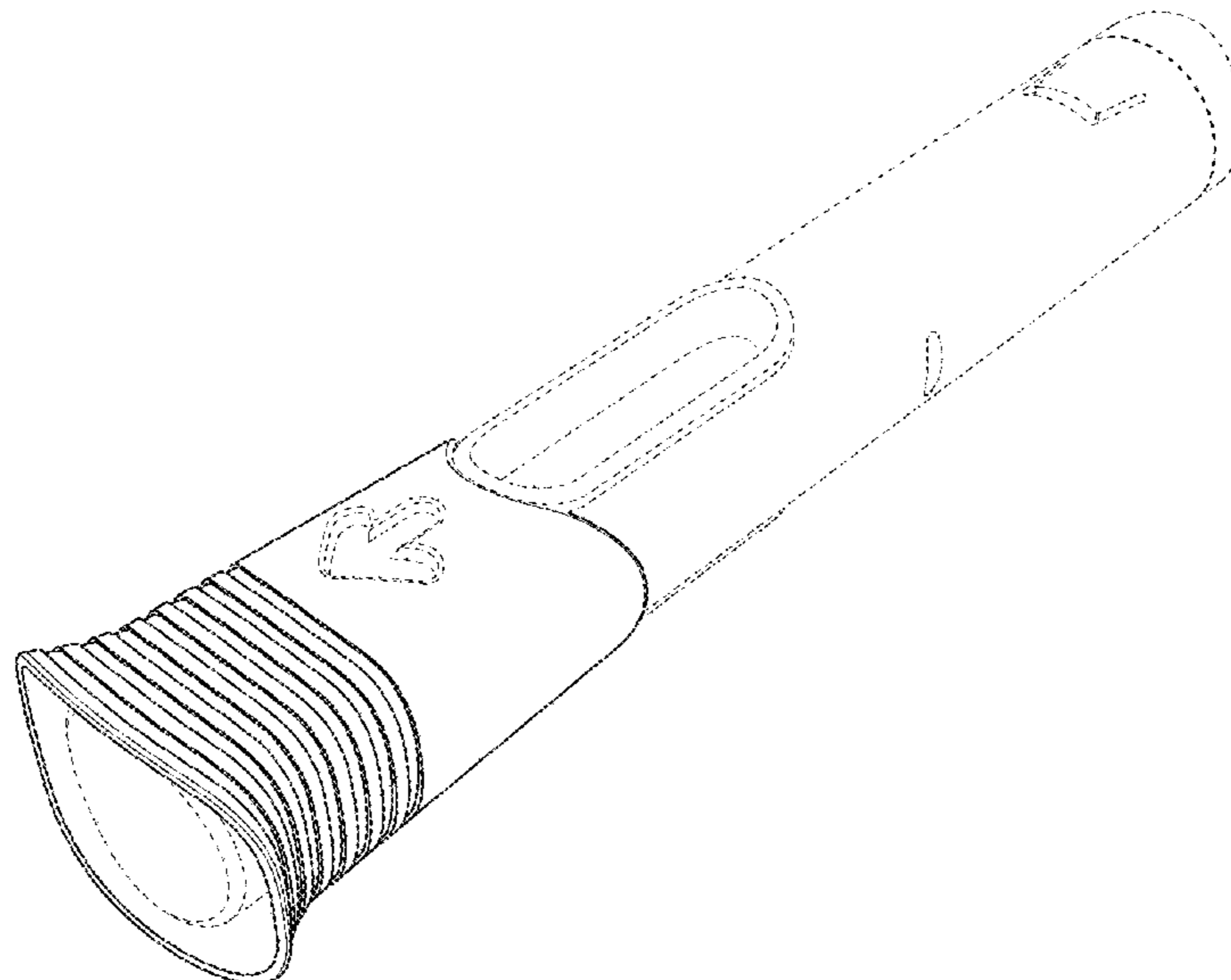
(57) **CLAIM**

The ornamental design of the medical injector, as shown and described.

DESCRIPTION

FIG. 1 is a perspective view of the medical injector viewed from the front left showing my new design;
 FIG. 2 is a perspective view thereof viewed from the rear left;
 FIG. 3 is a top plan view thereof;
 FIG. 4 is a left side elevation view thereof;
 FIG. 5 is a front elevation view thereof; and,
 FIG. 6 is a rear elevation view thereof, where the right side elevation view is a mirror image of the left side elevation view and the bottom plan view is a mirror image of the top plan view.
 The broken lines show portions of the design that form no part of the claimed design.

1 Claim, 4 Drawing Sheets



(56)

References Cited

U.S. PATENT DOCUMENTS

2012/0022466 A1 1/2012 James et al.
2013/0060231 A1* 3/2013 Adlon A61M 5/3234
604/506
2014/0364812 A1* 12/2014 Lumme A61M 5/2033
604/198
2015/0148744 A1* 5/2015 Harms A61M 5/3272
604/110
2015/0202380 A1 7/2015 Harms et al.
2016/0008546 A1 1/2016 Rekaya et al.
2016/0144132 A1 5/2016 Scanlon
2016/0303327 A1* 10/2016 Moren A61M 5/31501
2017/0157334 A1* 6/2017 Nguyen A61M 5/3213
2017/0354789 A1* 12/2017 Bendek A61M 5/3204
2017/0354790 A1* 12/2017 Atterbury A61M 5/2033
2017/0361030 A1* 12/2017 Moore A61M 5/20
2018/0043101 A1* 2/2018 Weaver A61M 5/31513
2018/0104414 A1* 4/2018 Karlsson A61M 5/2033
2018/0147360 A1* 5/2018 Kemp A61M 5/2033
2018/0318526 A1* 11/2018 Yang C07K 16/40
2018/0361082 A1* 12/2018 Sall A61M 5/5086
2019/0217018 A1* 7/2019 Bauss A61M 5/3202
2019/0247580 A1* 8/2019 Schader A61M 5/3287
2019/0266921 A1* 8/2019 Chang G09B 23/285

* cited by examiner

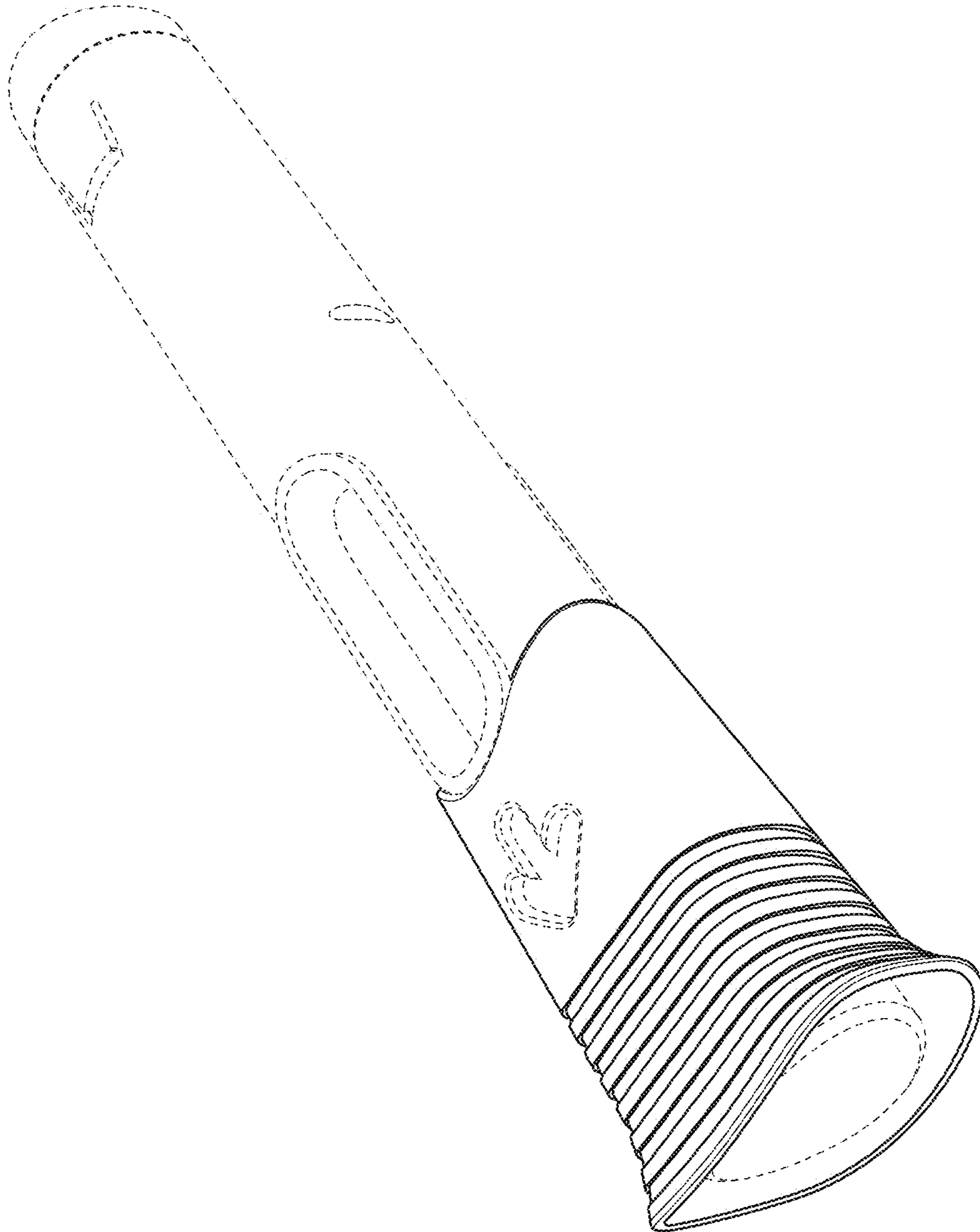


FIG. 1

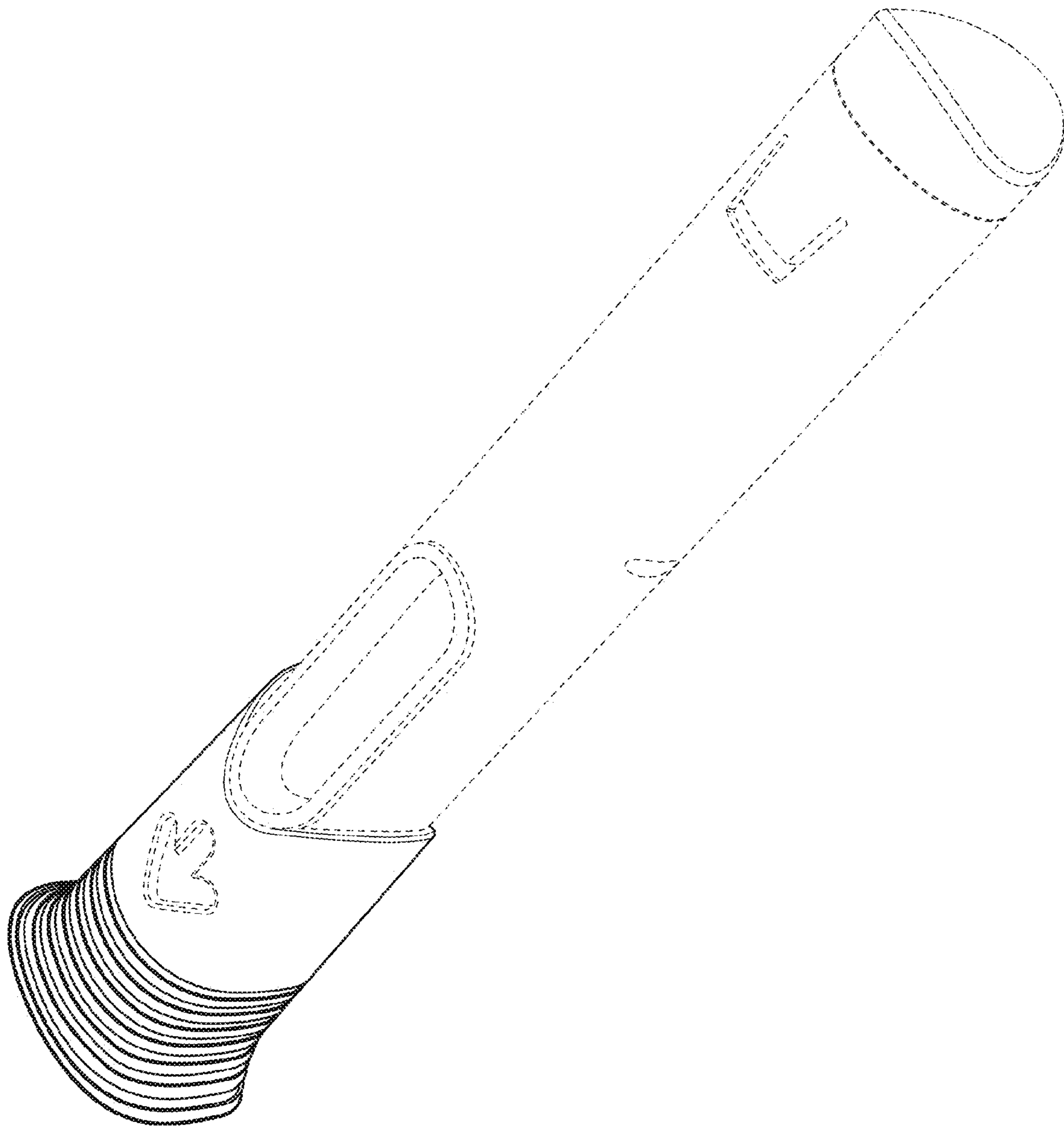


FIG. 2

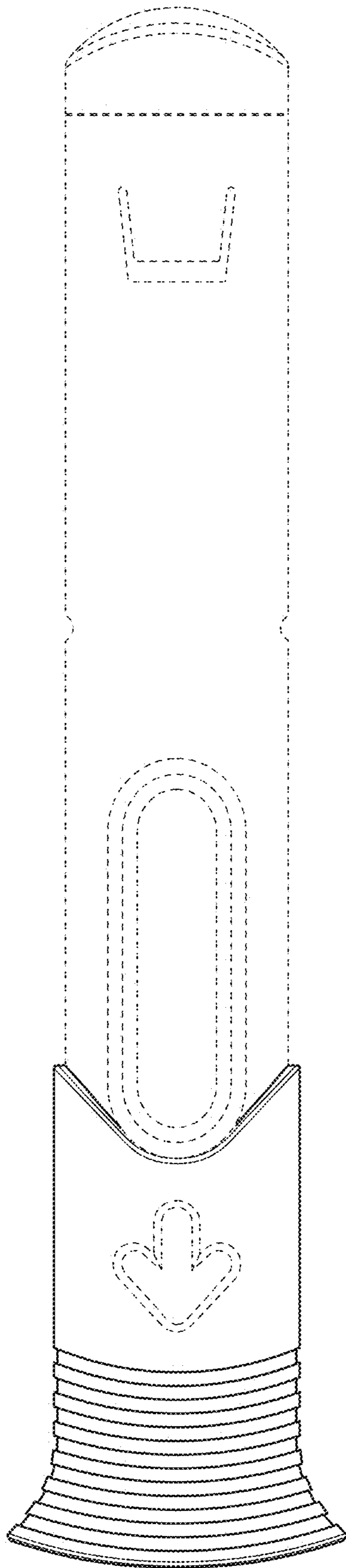


FIG. 3

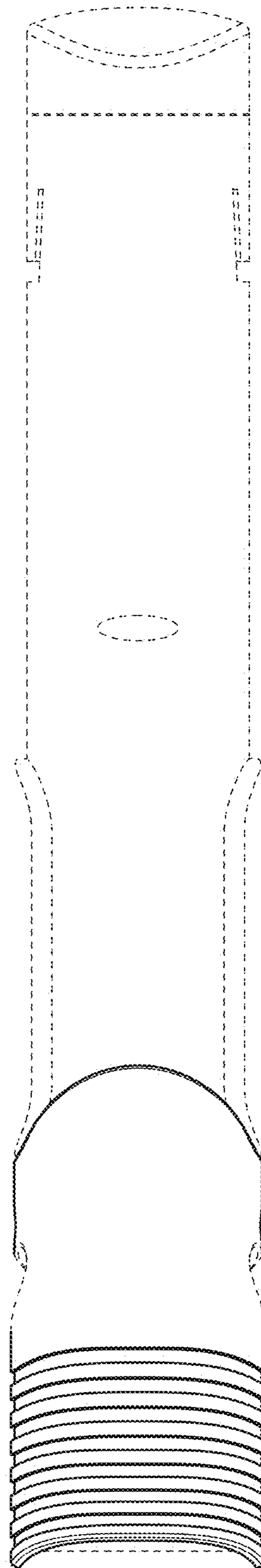


FIG. 4

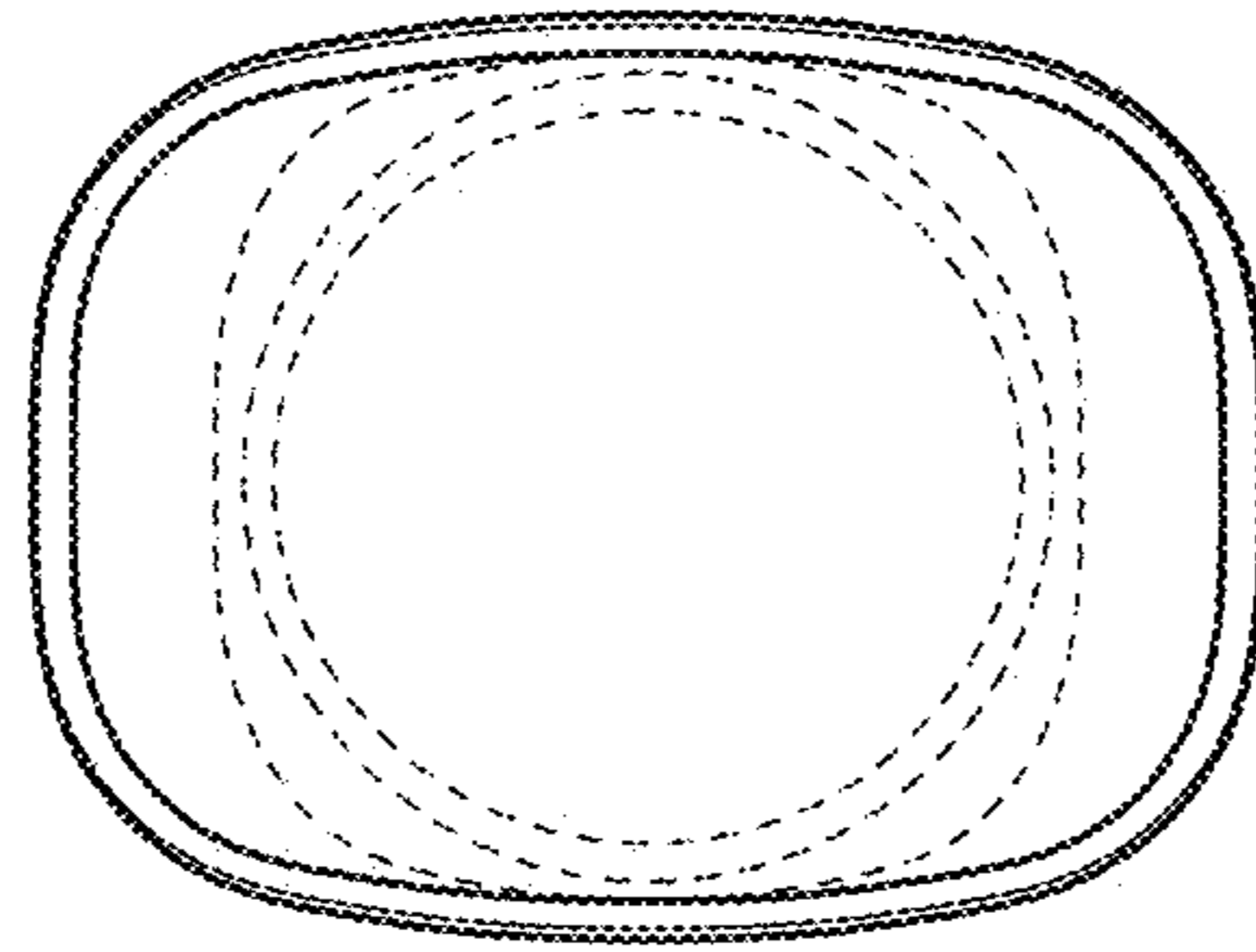


FIG. 5

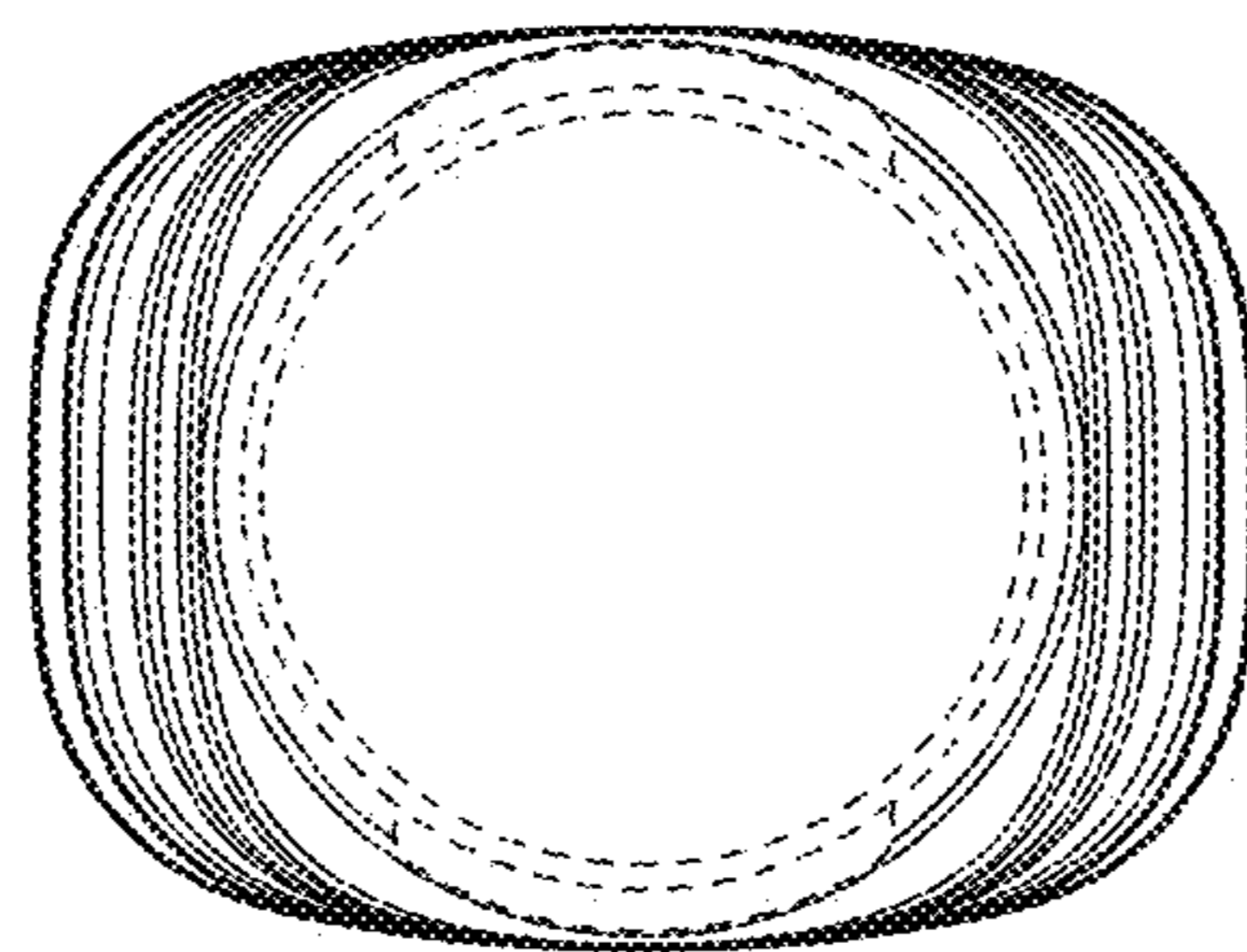


FIG. 6