



US00D878555S

(12) **United States Design Patent** (10) **Patent No.:** **US D878,555 S**
Farris et al. (45) **Date of Patent:** **** Mar. 17, 2020**

(54) **INJECTOR DEVICE**

(71) Applicant: **West Pharmaceutical Services, Inc.**,
Exton, PA (US)

(72) Inventors: **Jason Williams Farris**, Gilbert, AZ
(US); **Samuel Dauphinais**, Phoenix, AZ
(US); **Brian Costello**, Whitehouse
Station, NJ (US); **Raymond**
Protasiewicz, Whippany, NJ (US)

(73) Assignee: **West Pharmaceutical Services, Inc.**,
Exton, PA (US)

(**) Term: **15 Years**

(21) Appl. No.: **29/619,356**

(22) Filed: **Sep. 28, 2017**

Related U.S. Application Data

(63) Continuation-in-part of application No. 29/582,288,
filed on Oct. 26, 2016, now Pat. No. Des. 806,234.

(51) **LOC (12) Cl.** **24-02**

(52) **U.S. Cl.**
USPC **D24/113**

(58) **Field of Classification Search**
USPC D24/112–114, 133, 186, 104, 130, 127,
D24/176, 108, 110, 220; 606/181, 185;
604/232, 187, 158, 164.08, 192, 263, 163,
604/181, 184, 198, 227, 168.01, 275,
604/890.1; D9/414, 424, 417, 426
CPC A61M 2005/14252; A61M 2005/1581;
A61M 5/14248; A61M 2005/14513;
A61M 2005/206

See application file for complete search history.

(56) **References Cited**

U.S. PATENT DOCUMENTS

D369,864 S 5/1996 Petersen
D370,011 S 5/1996 Lindeman

D389,139 S 1/1998 Oross et al.
D421,902 S 3/2000 Hill
D424,626 S * 5/2000 Goto D21/329
6,186,982 B1 2/2001 Gross et al.
D441,185 S * 5/2001 Shimizu D13/168
D443,508 S 6/2001 Braaten et al.

(Continued)

FOREIGN PATENT DOCUMENTS

JP D1441740 S 5/2013
JP 2013-192637 A 9/2013

(Continued)

OTHER PUBLICATIONS

Reynolds, “Integrated Solutions for the Delivery of High-Volume
Biologics”, West Pharmaceutical Services, www.ondrugdelivery.
com, Copyright 2014, 4 pages.

(Continued)

Primary Examiner — Nathan M Johnston

(74) *Attorney, Agent, or Firm* — Baker & Hostetler LLP

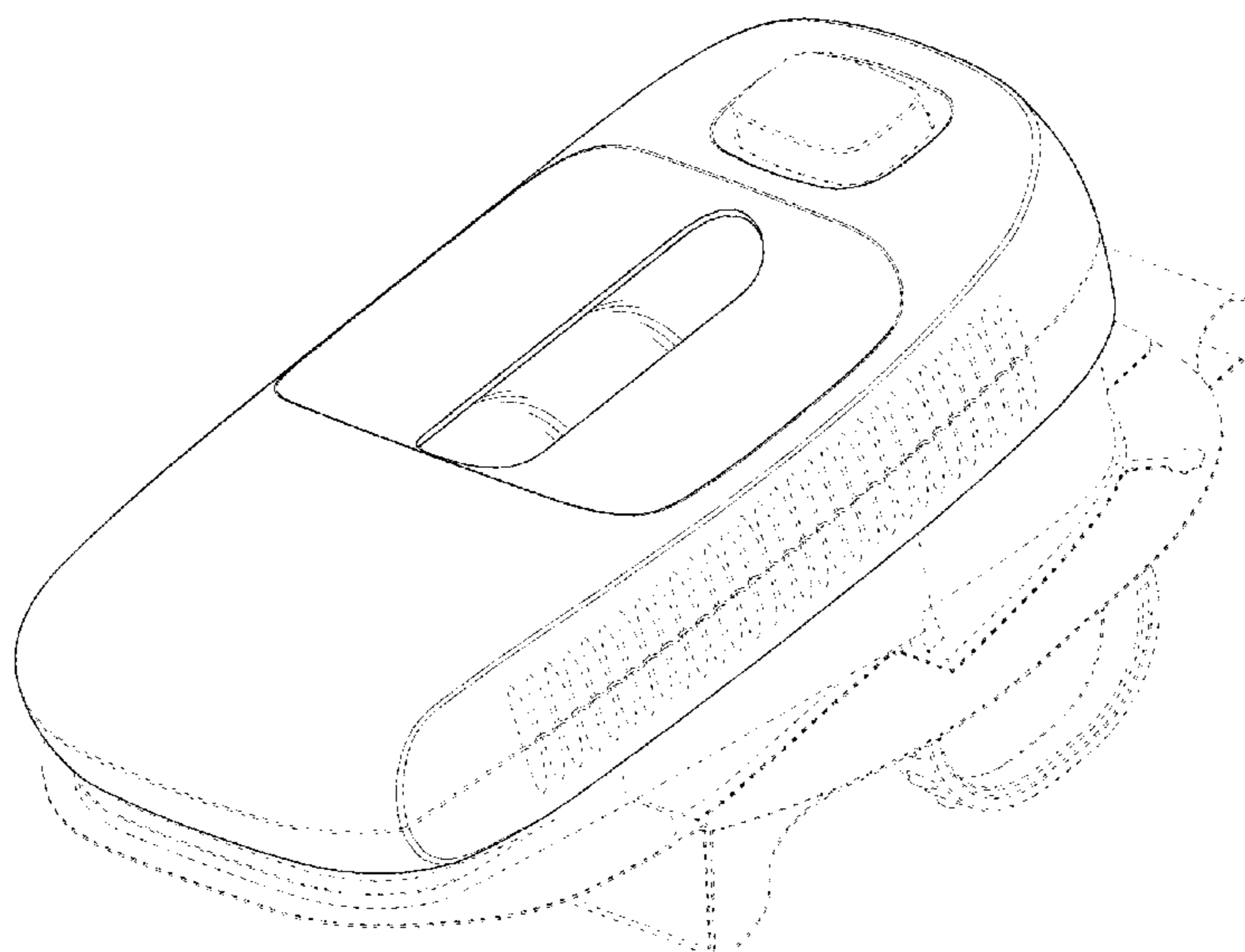
(57) **CLAIM**

The design of an injector device, as shown and described.

DESCRIPTION

FIG. 1 is a top, front, right perspective view of an injector
device of our design;
FIG. 2 is a front elevation view thereof;
FIG. 3 is a rear elevation view thereof;
FIG. 4 is a left side elevation view thereof;
FIG. 5 is a right side elevation view thereof;
FIG. 6 is a top plan view thereof;
FIG. 7 is a bottom plan view thereof; and,
FIG. 8 is an exploded perspective view thereof.
The broken lines show portions of the design that form no
part of the claimed design.

1 Claim, 8 Drawing Sheets



(56)

References Cited

U.S. PATENT DOCUMENTS

D445,496 S 7/2001 Anderson
 6,500,150 B1 12/2002 Gross et al.
 D471,274 S 3/2003 Diaz et al.
 6,530,900 B1 3/2003 Daily et al.
 D474,543 S 5/2003 Lee et al.
 6,613,015 B2 9/2003 Sandstrom et al.
 D483,281 S * 12/2003 Cobigo D10/104.1
 D490,069 S * 5/2004 Lee D14/188
 D495,303 S * 8/2004 Coullahan D13/168
 6,800,071 B1 10/2004 McConnell et al.
 6,843,782 B2 1/2005 Gross et al.
 6,889,690 B2 * 5/2005 Crowder A61M 15/0045
 128/203.15
 D514,097 S * 1/2006 De Leon D14/191
 D544,092 S 6/2007 Lewis
 D552,184 S * 10/2007 Hussaini D14/496
 D602,586 S * 10/2009 Foley D24/113
 D619,338 S 7/2010 Teichert et al.
 D622,685 S 8/2010 Garra et al.
 7,780,636 B2 8/2010 Radmer et al.
 7,931,621 B2 * 4/2011 Cross A61M 5/1413
 604/158
 7,967,795 B1 6/2011 Cabiri
 D640,920 S 7/2011 Giraud et al.
 D646,159 S 10/2011 Bellamah et al.
 8,152,779 B2 4/2012 Cabiri
 8,157,769 B2 4/2012 Cabiri
 8,210,172 B2 7/2012 Crowder et al.
 D667,382 S * 9/2012 Cosentino D13/168
 8,303,549 B2 11/2012 Mejlhede et al.
 8,313,467 B2 11/2012 Chong et al.
 8,348,898 B2 1/2013 Cabiri
 8,393,357 B2 3/2013 Chong et al.
 D683,848 S 6/2013 Ogura et al.
 D684,686 S 6/2013 Cronenberg
 D685,083 S 6/2013 Schneider et al.
 D685,084 S 6/2013 Guarraia et al.
 8,465,455 B2 6/2013 Cabiri
 D687,140 S 7/2013 Guarraia et al.
 D687,141 S 7/2013 Schneider et al.
 D687,536 S 8/2013 Guarraia et al.
 D688,784 S 8/2013 Schneider et al.
 8,613,719 B2 * 12/2013 Karratt A61M 5/14248
 604/131
 D702,834 S 4/2014 Norton et al.
 D714,266 S 9/2014 Okamura et al.
 8,882,711 B2 11/2014 Saulenas et al.
 D722,870 S 2/2015 Fohner et al.
 8,986,250 B2 3/2015 Beebe et al.
 9,011,164 B2 4/2015 Filman et al.
 9,173,997 B2 11/2015 Gross et al.
 D745,661 S 12/2015 Collins et al.
 D753,810 S 4/2016 Chang
 D755,950 S 5/2016 Meliniotis et al.
 D760,374 S 6/2016 Nagar et al.
 9,373,269 B2 6/2016 Bergman et al.
 D764,047 S 8/2016 Bjelovuk et al.
 9,421,323 B2 8/2016 Cabiri et al.
 D769,438 S 10/2016 Crosby et al.
 D770,037 S 10/2016 Schleicher et al.
 9,463,280 B2 10/2016 Cabiri
 9,492,614 B2 11/2016 Kamen et al.
 D776,262 S 1/2017 Tyce et al.
 D776,265 S 1/2017 Tyce et al.
 D777,331 S 1/2017 Jayalath et al.
 9,656,019 B2 5/2017 Cabiri et al.
 D792,359 S * 7/2017 Nakagawa D13/168
 D794,806 S * 8/2017 Kranz D24/186
 D801,538 S * 10/2017 Rondoni D24/186

D806,232 S * 12/2017 Hwang D24/112
 D810,948 S * 2/2018 Wielunski D24/186
 D812,739 S * 3/2018 Wolford D24/111
 D825,356 S * 8/2018 Yu D10/70
 D836,568 S * 12/2018 Miller D13/168
 D847,976 S * 5/2019 Protasiewicz D24/113
 2005/0064917 A1 * 3/2005 Peng H04M 1/021
 455/575.1
 2007/0021733 A1 1/2007 Hansen et al.
 2008/0215015 A1 9/2008 Cindrich et al.
 2009/0093792 A1 4/2009 Gross et al.
 2009/0240240 A1 * 9/2009 Hines A61M 5/14248
 604/890.1
 2012/0035546 A1 2/2012 Cabiri
 2013/0110049 A1 5/2013 Cronenberg et al.
 2013/0245596 A1 9/2013 Cabiri et al.
 2013/0253472 A1 9/2013 Cabiri
 2013/0296799 A1 11/2013 Degtiar et al.
 2013/0304021 A1 11/2013 Cabiri et al.
 2013/0310753 A1 11/2013 Cabiri
 2014/0128815 A1 5/2014 Cabiri et al.
 2014/0207067 A1 7/2014 Kamen et al.
 2014/0330240 A1 11/2014 Cabiri et al.
 2014/0346378 A1 11/2014 Kua et al.
 2014/0350459 A1 11/2014 Lanier, Jr. et al.
 2015/0011965 A1 1/2015 Cabiri
 2015/0157786 A1 6/2015 Sonderegger et al.
 2015/0165121 A1 6/2015 Murakami et al.
 2015/0250943 A1 9/2015 Momose
 2015/0306307 A1 10/2015 Cole et al.
 2015/0359965 A1 12/2015 OConnor et al.
 2016/0058941 A1 3/2016 Wu et al.
 2016/0082184 A1 3/2016 Hanagan et al.
 2016/0121043 A1 5/2016 Weibel
 2016/0256352 A1 9/2016 Bar-El et al.
 2016/0256353 A1 9/2016 Bar-El et al.
 2016/0284239 A1 9/2016 Bergman et al.
 2016/0296699 A1 10/2016 Cabiri
 2016/0296716 A1 10/2016 Cabiri et al.
 2016/0317738 A1 * 11/2016 Cross A61M 5/1454
 2017/0021137 A1 * 1/2017 Cole A61M 25/0606
 2017/0028132 A1 2/2017 Cronenberg et al.
 2017/0340827 A1 * 11/2017 Nazzaro A61M 5/28

FOREIGN PATENT DOCUMENTS

KR 30-0689248 S 4/2013
 WO WO2011090956 A2 7/2011
 WO WO2012032411 A2 3/2012
 WO WO2014081411 A1 5/2014
 WO WO2016196934 A1 12/2016

OTHER PUBLICATIONS

Amgen Inc., "The Neulasta Onpro Kit", <http://www.neulastahcp.com/neulasta-onpro/>, Copyright 2016, 16 pages.
 BD Worldwide, "Self-Injection Systems", <http://www.bd.com/pharmaceuticals/products/self-injection/patch-injectors.asp>, Copyright 2017, 2 pages.
 OndrugDelivery, "Wearable Injectors", Sep. 19, 2016 Issue No. 70, 48 pages.
 Sensile Medical AG, "SensePatch", https://www.sensile-medical.com/assets/data-sheet_5002_senspatch.pdf, 2017, 2 pages.
 Unilife Corporation, "Wearable Injectors", <http://www.unilife.com/product-platforms/WearableInjectors>, Copyright 2016, 3 pages.
 West Pharmaceutical Services, Inc. "SmartDose Platform" <http://www.westpharma.com/products/self-injection-platforms/smartdoes>, Copyright 2017, 3 pages.

* cited by examiner

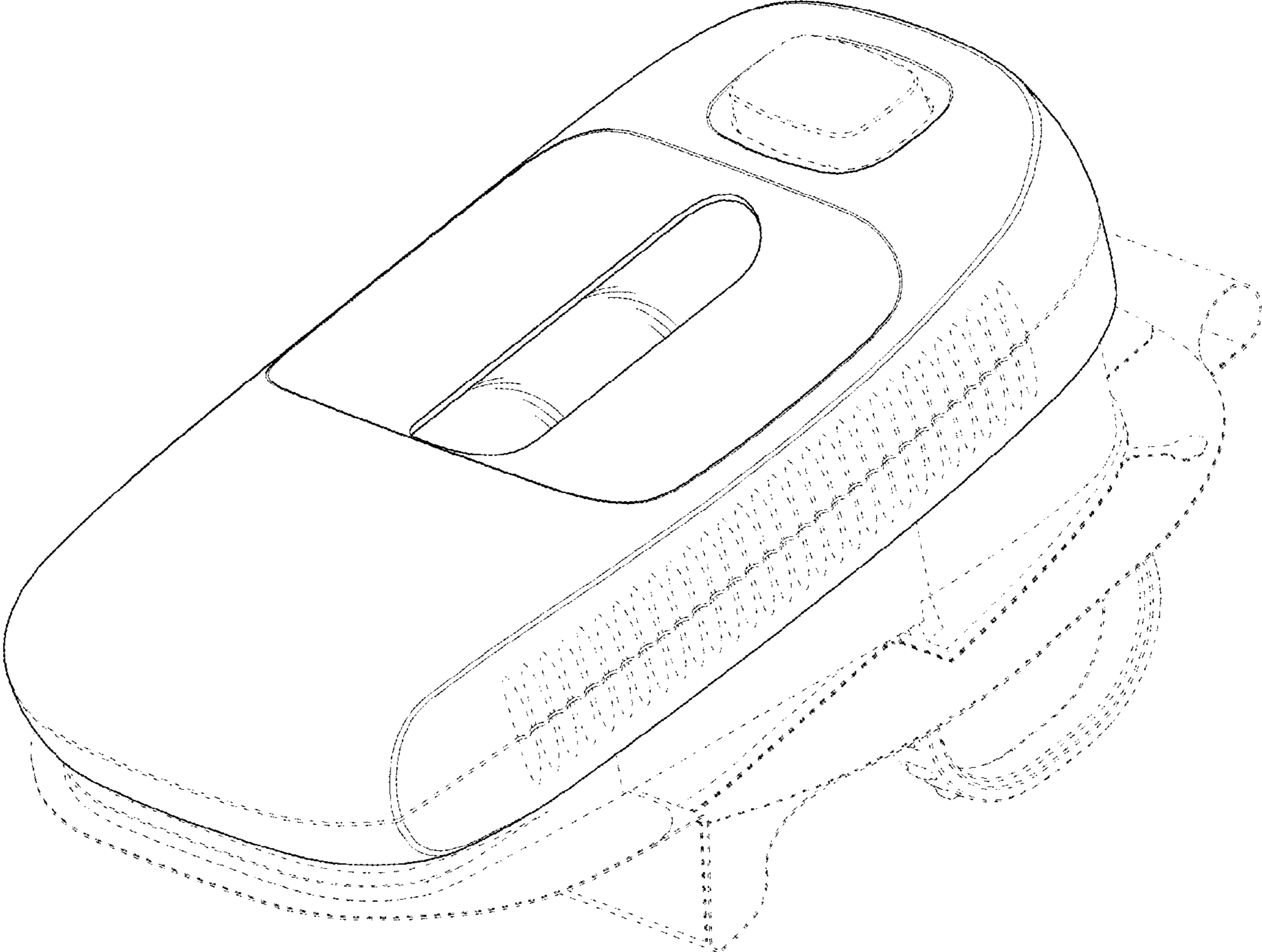


FIG. 1

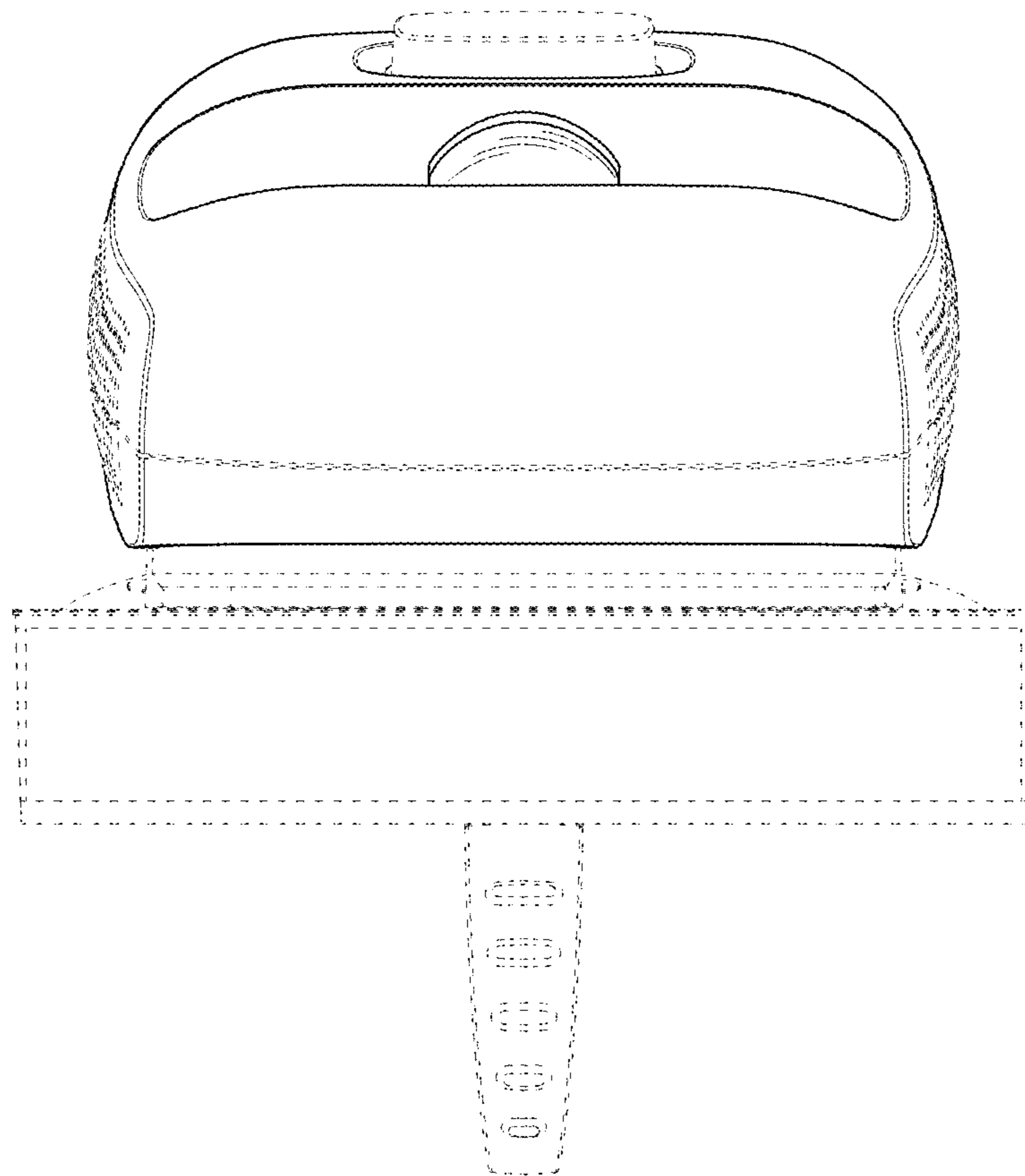


FIG. 2

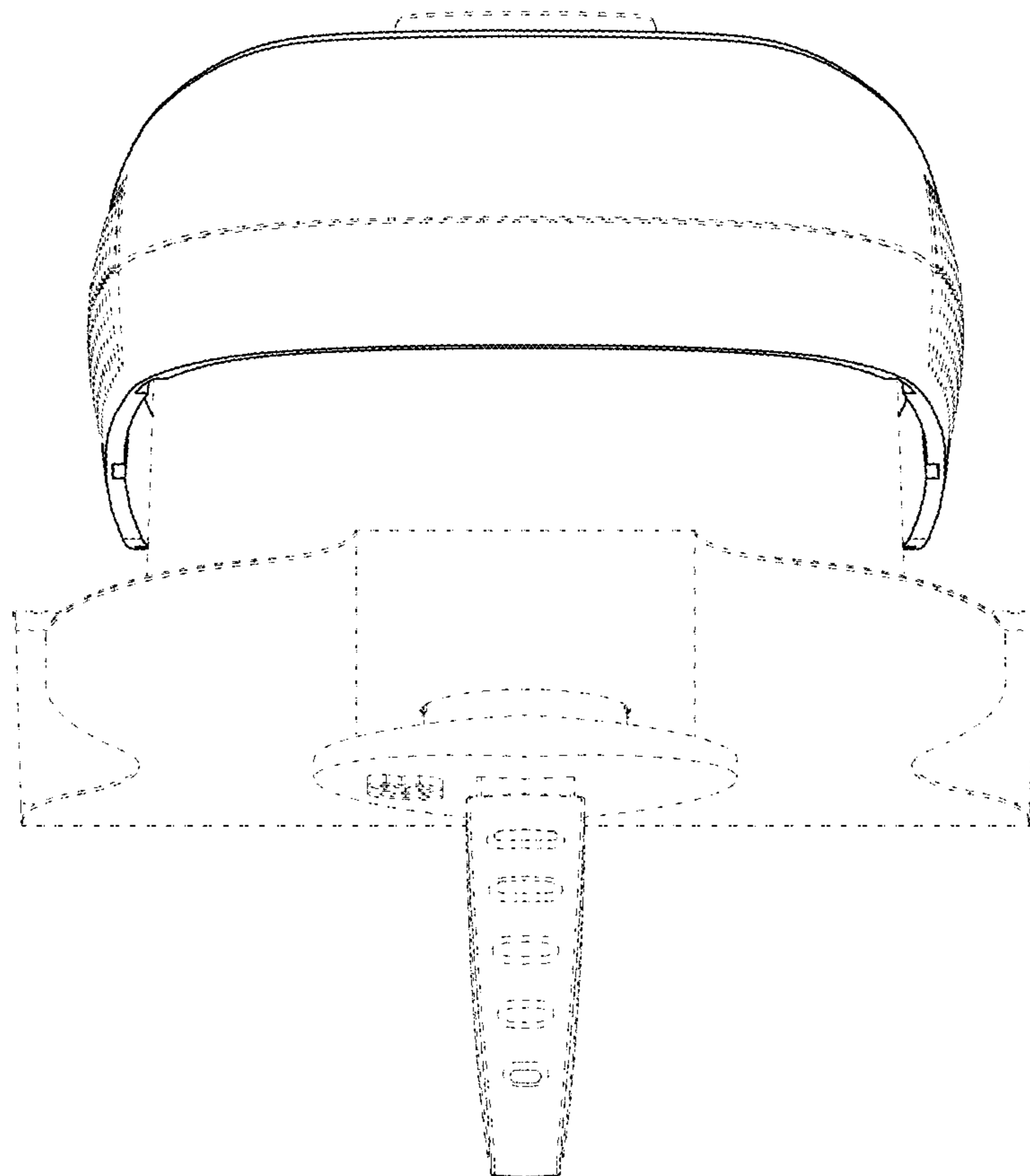


FIG. 3

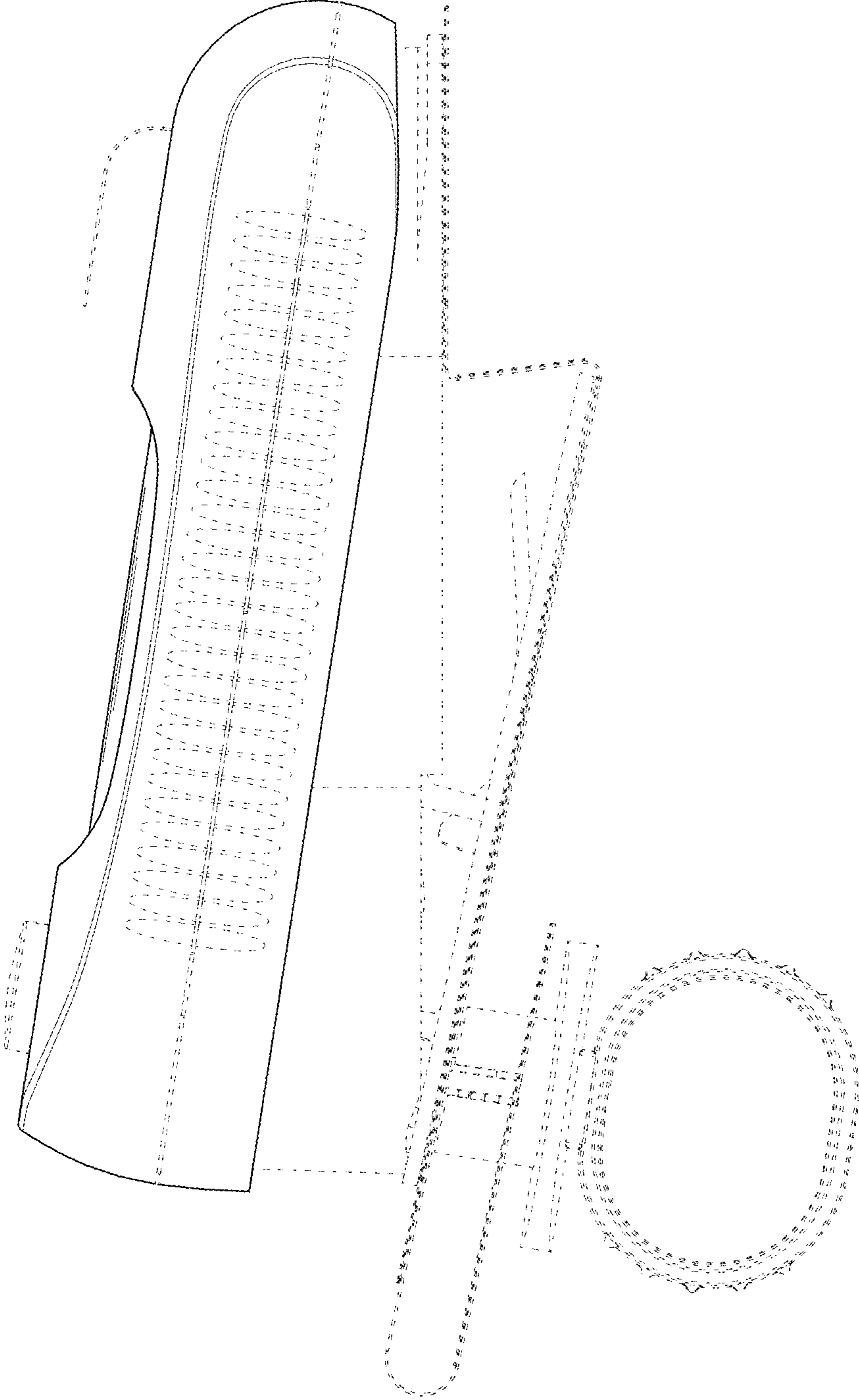


FIG. 4

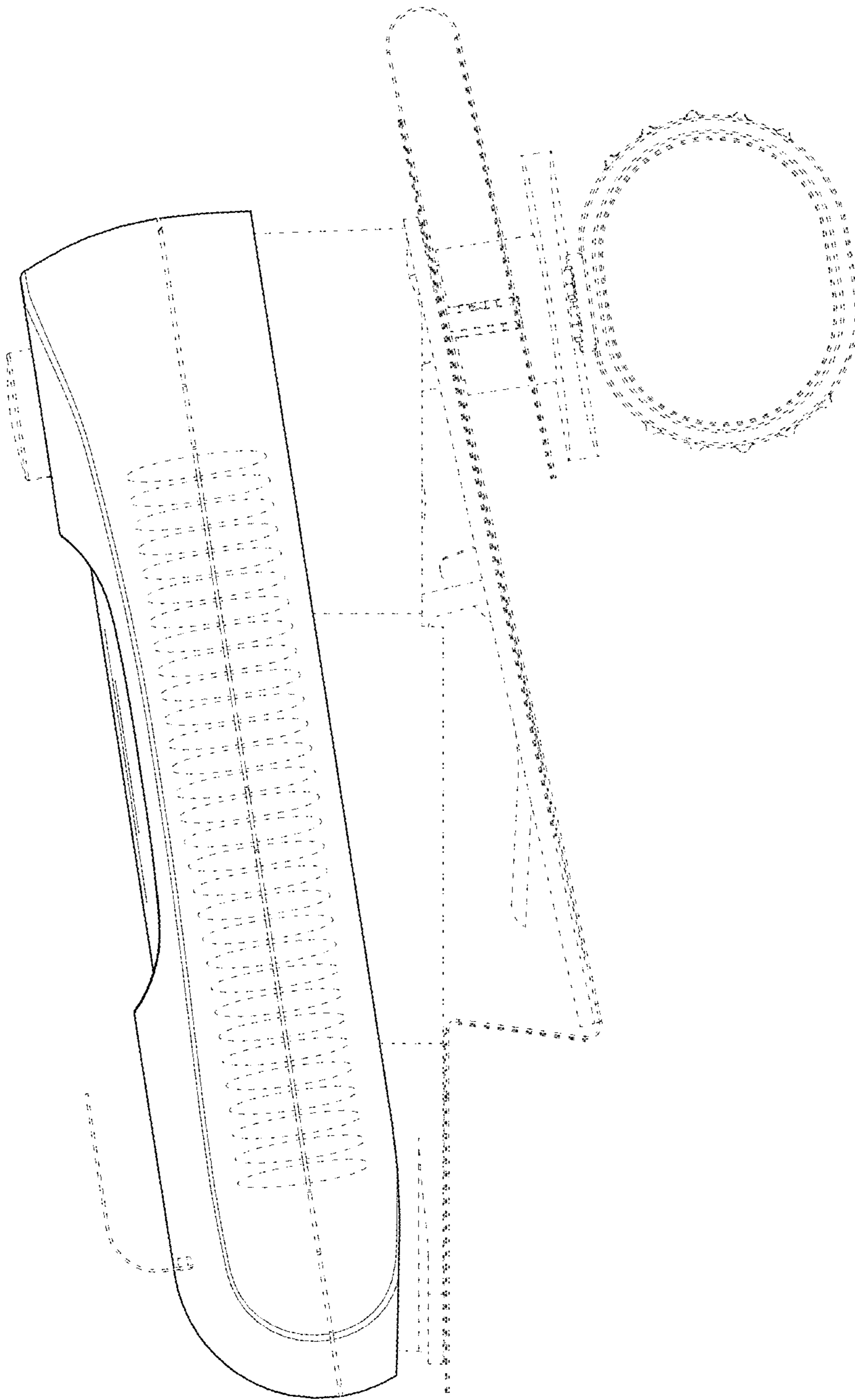


FIG. 5

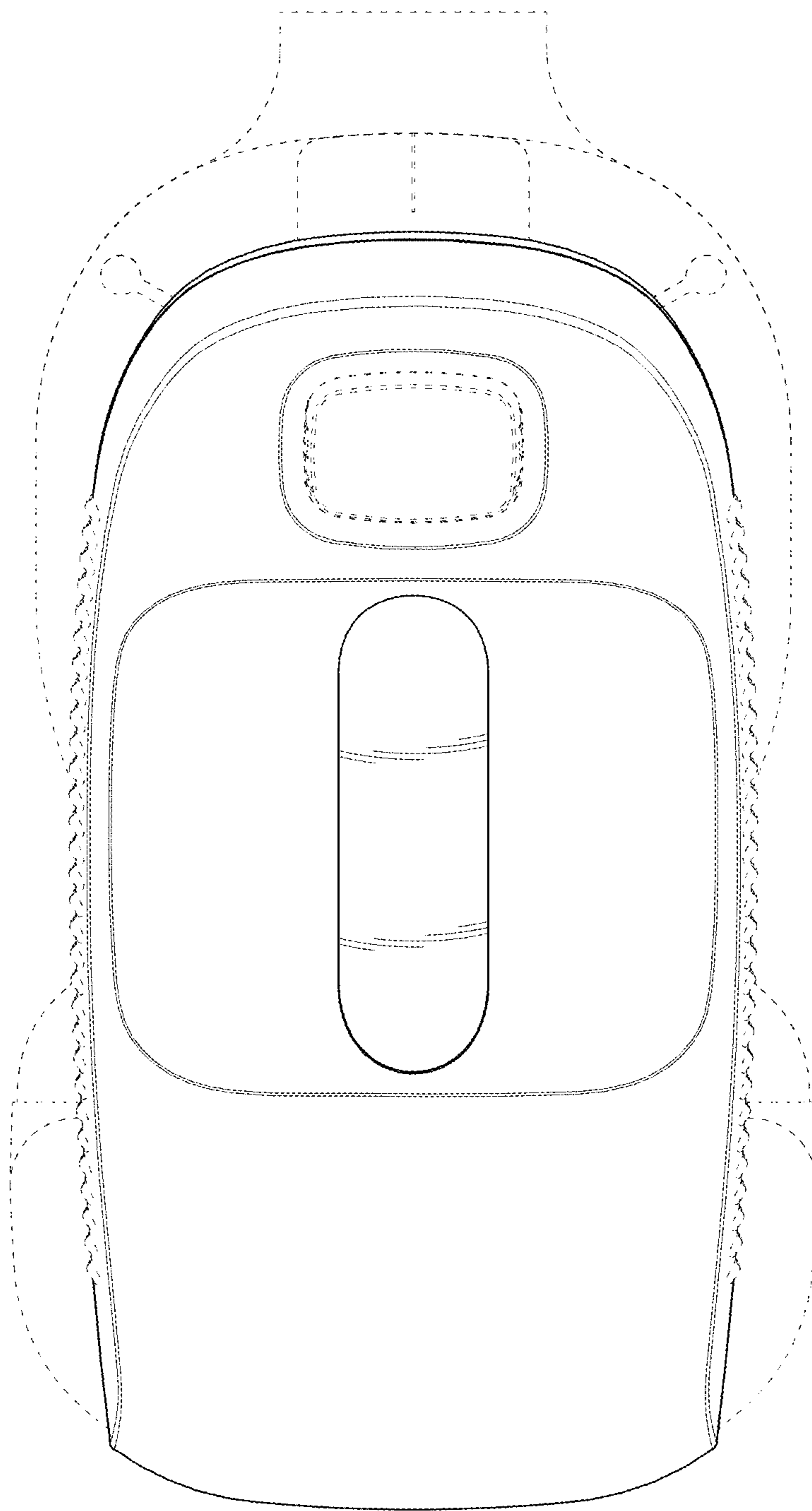


FIG. 6

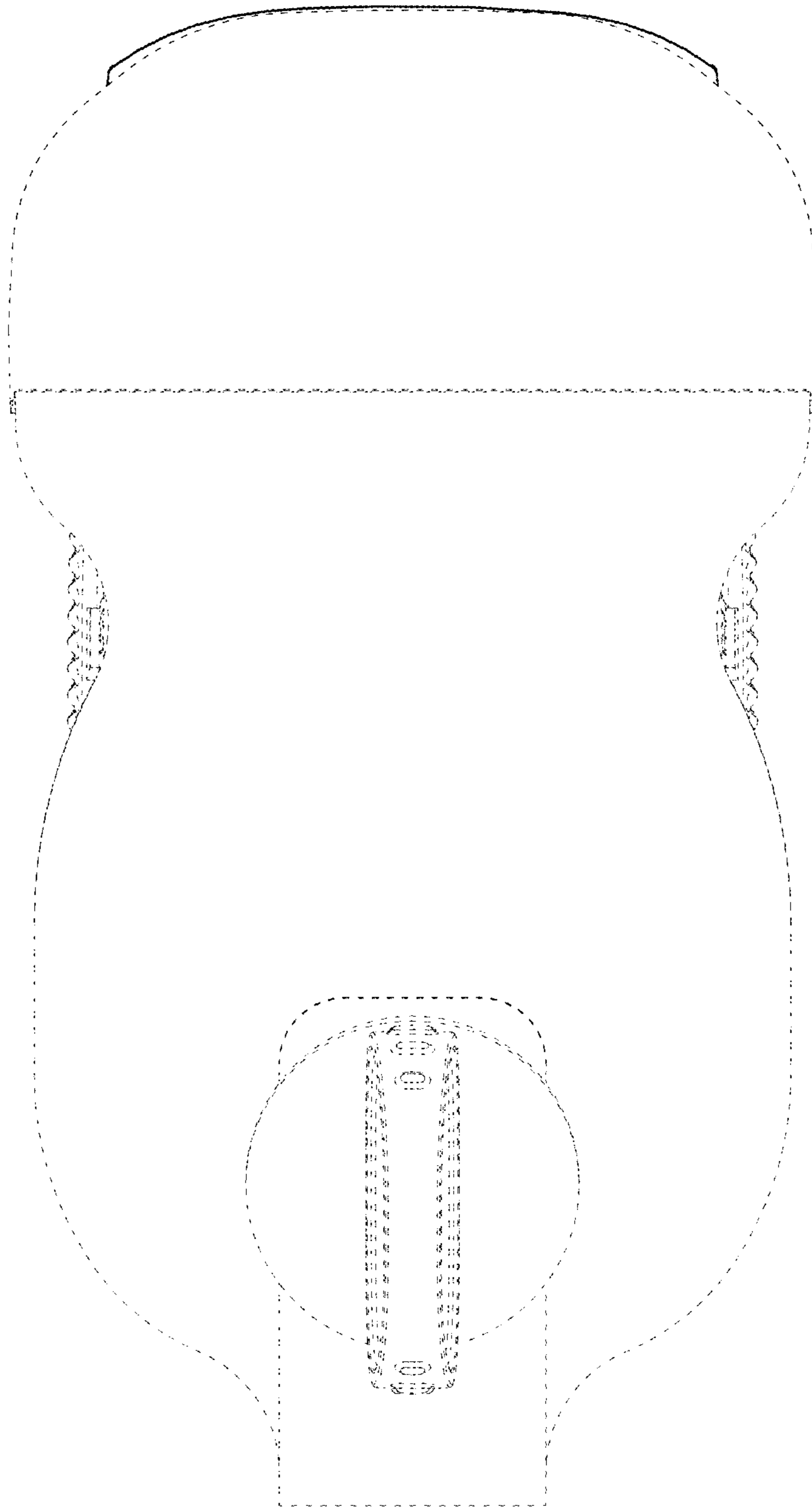


FIG. 7

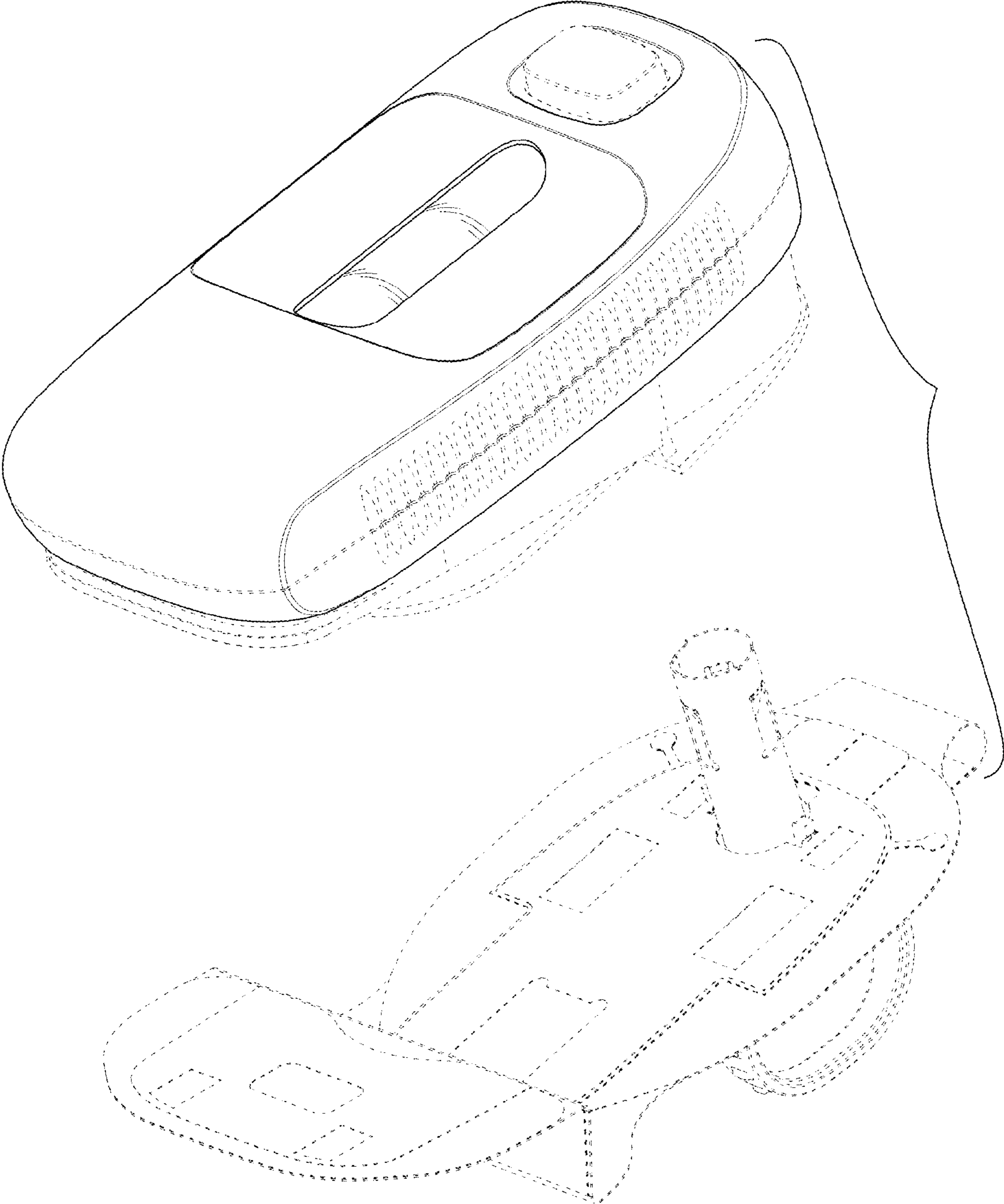


FIG. 8