



US00D878553S

(12) **United States Design Patent** (10) **Patent No.:** **US D878,553 S**  
**Hwang et al.** (45) **Date of Patent:** **\*\* Mar. 17, 2020**

(54) **WEARABLE DRUG DELIVERY DEVICE**

CPC ..... A61M 2005/14252; A61M 2005/1581;  
A61M 5/14248; A61M 2005/14513;  
A61M 2005/206

(71) Applicant: **Becton, Dickinson and Company**,  
Franklin Lakes, NJ (US)

See application file for complete search history.

(72) Inventors: **Charles George Hwang**, Wellesley,  
MA (US); **John Prudden**, Manchester,  
MA (US); **Christopher Kovalchick**,  
Bedford, MA (US); **Russell Cole**, River  
Vale, NJ (US); **Andrew Allegretti**,  
Edgewater, NJ (US); **Jeffrey Reed**,  
Minden, NE (US); **Nir Swenson**,  
Somerville, MA (US); **Gail Siewiorek**,  
Winchester, MA (US); **Joseph**  
**Iskandar**, Brighton, MA (US);  
**Alessandro Pizzochero**, Chelmsford,  
MA (US); **J. Richard Gyory**, Sudbury,  
MA (US); **Justin Cumming**, Arlington,  
MA (US); **Kurt Maw**, Salem, MA (US)

(56)

**References Cited**

U.S. PATENT DOCUMENTS

D370,011	S	5/1996	Lindeman
5,665,065	A	9/1997	Colman et al.
D389,139	S	1/1998	Oross
5,816,779	A	10/1998	Lawless et al.
5,913,180	A	6/1999	Ryan
6,006,239	A	12/1999	Bhansali et al.
D445,496	S	7/2001	Anderson
6,589,229	B1	7/2003	Connelly et al.
6,656,147	B1	12/2003	Gertsek et al.
6,656,148	B2	12/2003	Das et al.
6,685,675	B1	2/2004	Hadvary et al.
6,740,059	B2	5/2004	Flaherty
D495,303	S	8/2004	Coullahan
6,824,529	B2	11/2004	Gross et al.
6,843,782	B2	1/2005	Gross et al.
7,052,251	B2	5/2006	Nason et al.
D544,092	S	6/2007	Lewis
D564,087	S	3/2008	Yodfat et al.
D574,016	S	7/2008	Yodfat et al.
D577,118	S	9/2008	Yodfat et al.
7,517,440	B2	4/2009	Anex et al.
7,648,494	B2	1/2010	Kornerup et al.
7,678,079	B2	3/2010	Shermer et al.
7,708,717	B2	5/2010	Estes et al.
D622,885	S	8/2010	Garra
7,771,391	B2	8/2010	Carter
7,802,923	B2	9/2010	Arnold et al.
7,857,131	B2	12/2010	Vedrine
7,922,708	B2	4/2011	Estes et al.
7,927,306	B2	4/2011	Cross et al.
7,931,621	B2	4/2011	Cross et al.
7,938,801	B2	5/2011	Hawkins et al.
7,976,493	B2	7/2011	Carter
7,976,500	B2	7/2011	Adams et al.
8,062,253	B2	11/2011	Nielsen et al.
8,062,256	B2	11/2011	Carter et al.
8,114,064	B2	2/2012	Alferness et al.
8,128,596	B2	3/2012	Carter
8,128,597	B2	3/2012	Cross et al.
8,162,923	B2	4/2012	Adams et al.
8,210,172	B2	7/2012	Crowder
8,226,606	B2	7/2012	Adams et al.
8,226,607	B2	7/2012	Carter et al.
8,231,572	B2	7/2012	Carter et al.

(73) Assignee: **Becton, Dickinson and Company**,  
Franklin Lakes, NJ (US)

(\*\*) Term: **15 Years**

(21) Appl. No.: **29/696,080**

(22) Filed: **Jun. 25, 2019**

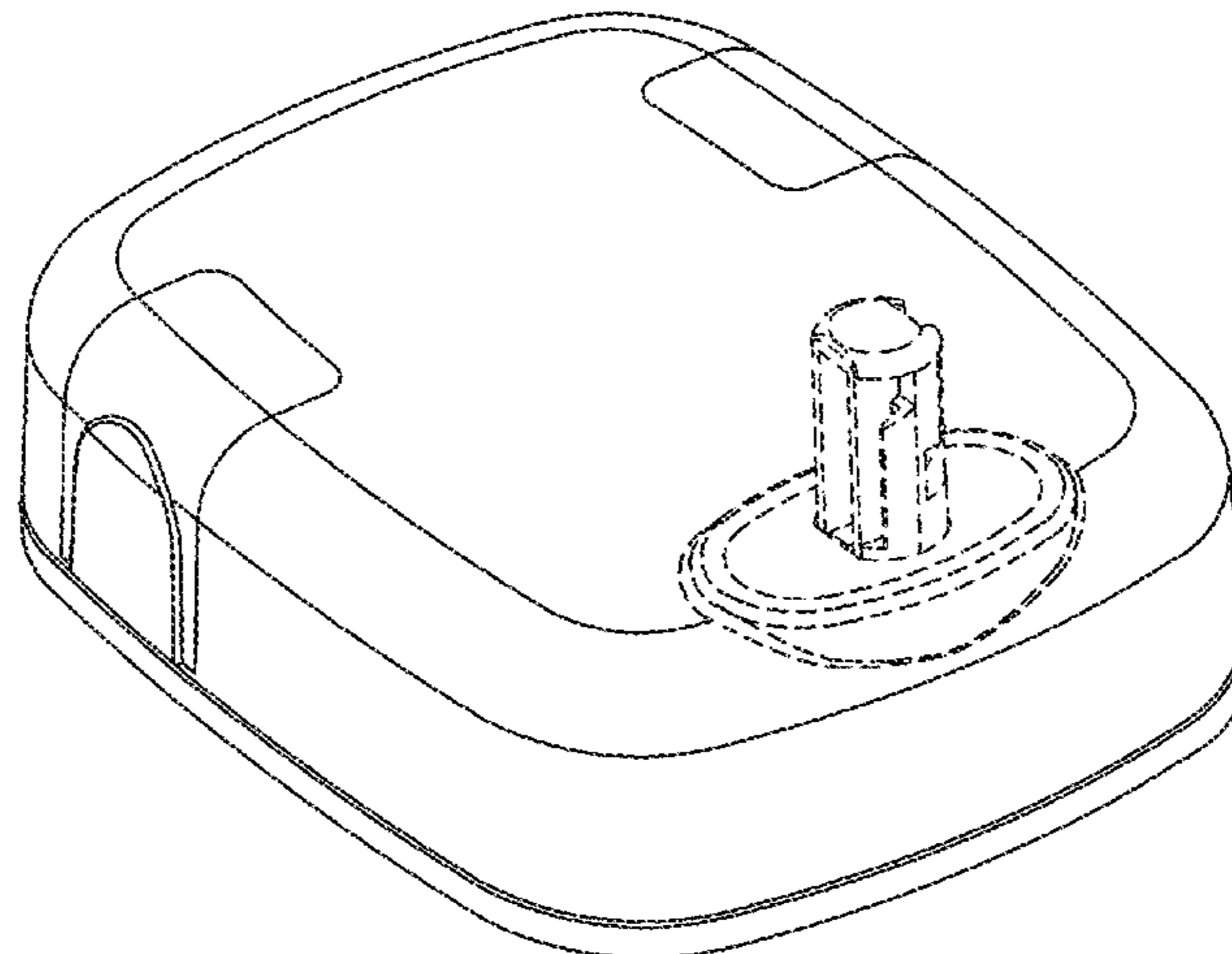
**Related U.S. Application Data**

(63) Continuation of application No. 29/552,312, filed on  
Jan. 21, 2016, now Pat. No. Des. 857,191.

(51) **LOC (12) Cl.** ..... **24-02**

(52) **U.S. Cl.**  
USPC ..... **D24/112**

(58) **Field of Classification Search**  
USPC ..... D24/112-114, 133, 186, 104, 130, 127,  
D24/176, 108, 110, 220; 606/181, 185;  
604/232, 187, 158, 164.08, 192, 263, 163,  
604/181, 184, 198, 227, 168.01, 275,  
604/890.1; D9/414, 424, 417, 426



8,231,577 B2 7/2012 Carter et al.  
D667,382 S \* 9/2012 Cosentino ..... D13/168  
8,267,921 B2 9/2012 Yodfat et al.  
8,337,486 B2 12/2012 Yodfat et al.  
8,352,041 B2 1/2013 Das et al.  
8,361,030 B2 1/2013 Carter  
D675,516 S \* 2/2013 Horton ..... D9/424  
8,409,151 B2 4/2013 Hawkins et al.  
8,414,563 B2 4/2013 Kamen et al.  
8,449,504 B2 5/2013 Carter et al.  
D684,685 S 6/2013 Schneider et al.  
D684,686 S 6/2013 Cronenberg  
D685,083 S 6/2013 Schneider et al.  
D685,084 S 6/2013 Guarraia et al.  
8,469,920 B2 6/2013 Merno et al.  
D687,140 S 7/2013 Guarraia et al.  
D687,141 S 7/2013 Schneider et al.  
8,491,529 B2 7/2013 Yodfat et al.  
D687,536 S 8/2013 Guarraia et al.  
D688,784 S 8/2013 Schneider et al.  
8,500,692 B2 8/2013 Yodfat et al.  
8,512,287 B2 8/2013 Cindrich et al.  
D690,588 S \* 10/2013 Pipes ..... D9/424  
D696,394 S \* 12/2013 Lu ..... D24/110  
8,613,719 B2 12/2013 Karratt et al.  
8,753,310 B2 6/2014 Sullivan et al.  
8,753,315 B2 6/2014 Alferness et al.  
8,758,308 B2 6/2014 Alferness et al.  
8,795,230 B2 8/2014 Schoonmaker et al.  
8,795,234 B2 8/2014 Kadamus et al.  
8,808,269 B2 8/2014 Bazargan et al.  
D714,266 S 9/2014 Okamura  
9,220,838 B2 \* 12/2015 Soma ..... A61M 1/36  
D747,456 S 1/2016 Sonderegger et al.  
D747,457 S 1/2016 Glace et al.  
D747,458 S 1/2016 Sonderegger et al.  
D747,459 S 1/2016 Sonderegger et al.  
9,254,373 B2 2/2016 Hørdum  
D754,842 S 4/2016 Sonderegger et al.  
D754,843 S 4/2016 Sonderegger et al.  
D756,504 S 5/2016 Sonderegger et al.  
9,364,606 B2 6/2016 Cindrich et al.  
9,433,757 B2 9/2016 Constantineau et al.  
D769,438 S 10/2016 Crosby  
9,480,792 B2 11/2016 Constantineau et al.  
9,522,229 B2 12/2016 Sonderegger et al.  
9,522,231 B2 12/2016 Schneider et al.  
D794,770 S \* 8/2017 Wu ..... D24/108  
D806,232 S \* 12/2017 Hwang ..... D24/112  
D812,738 S \* 3/2018 Wolford ..... D24/111  
9,943,332 B2 \* 4/2018 Chong ..... A61M 5/14248  
D829,889 S \* 10/2018 Hwang ..... D24/112  
2005/0064917 A1 \* 3/2005 Peng ..... H04M 1/021  
455/575.1  
2005/0238507 A1 10/2005 Dilanni et al.  
2006/0183984 A1 8/2006 Dobbles et al.  
2007/0282269 A1 12/2007 Carter et al.  
2007/0287960 A1 12/2007 Adams et al.  
2007/0299408 A1 12/2007 Alferness et al.  
2008/0051738 A1 \* 2/2008 Griffin ..... A61M 5/1413  
604/273  
2008/0119790 A1 5/2008 Hawkins et al.  
2008/0167641 A1 7/2008 Hansen et al.  
2008/0249473 A1 10/2008 Rutti et al.  
2009/0088692 A1 4/2009 Adams et al.  
2009/0182277 A1 7/2009 Carter  
2009/0198215 A1 \* 8/2009 Chong ..... A61M 5/1413  
604/506  
2009/0240240 A1 9/2009 Hines et al.  
2009/0247982 A1 10/2009 Krulevitch et al.  
2009/0254041 A1 10/2009 Krag  
2009/0281497 A1 11/2009 Kamen et al.  
2010/0049128 A1 2/2010 McKenzie et al.  
2010/0167385 A1 7/2010 Celentano et al.  
2010/0204657 A1 8/2010 Yodfat et al.  
2010/0234805 A1 9/2010 Kaufmann et al.  
2011/0098652 A1 4/2011 Hasted et al.  
2011/0282293 A1 11/2011 Hørdum  
2011/0306931 A1 12/2011 Kamen et al.

2011/0319862 A1 12/2011 Friedman et al.  
2012/0053522 A1 3/2012 Yodfat et al.  
2012/0150115 A1 6/2012 Kamen et al.  
2012/0209241 A1 8/2012 Drew  
2012/0215175 A1 8/2012 Alferness et al.  
2013/0072872 A1 3/2013 Yodfat et al.  
2013/0138078 A1 \* 5/2013 Smith ..... A61M 5/14248  
604/506  
2013/0226092 A1 8/2013 Hawkins et al.  
2014/0088504 A1 3/2014 King  
2014/0148756 A1 5/2014 Yodfat et al.  
2014/0236086 A1 8/2014 Levesque et al.  
2014/0236087 A1 8/2014 Alderete, Jr. et al.  
2015/0065959 A1 3/2015 Carter et al.  
2015/0250943 A1 9/2015 Momose  
2015/0292779 A1 10/2015 Chen  
2015/0306307 A1 10/2015 Cole  
2016/0089491 A1 \* 3/2016 Smith ..... A61M 5/1452  
604/500  
2016/0303333 A1 \* 10/2016 Momose ..... A61M 5/3298  
2017/0021096 A1 \* 1/2017 Cole ..... A61M 5/158  
2017/0021137 A1 \* 1/2017 Cole ..... A61M 25/0606  
2017/0043101 A1 \* 2/2017 Cole ..... A61M 25/0631  
2017/0348479 A1 \* 12/2017 Choate ..... A61M 5/14248  
2018/0028747 A1 \* 2/2018 Hanson ..... A61M 5/1456  
2019/0022317 A1 \* 1/2019 Uddin ..... G16H 20/17  
2019/0038790 A1 \* 2/2019 McLaughlin ..... A61L 2/206  
2019/0038828 A1 \* 2/2019 McLaughlin ..... A61M 5/001  
2019/0083702 A1 \* 3/2019 Nekouzadeh ..... A61M 5/20  
2019/0192765 A1 \* 6/2019 Kim ..... A61M 5/142

FOREIGN PATENT DOCUMENTS

CN 101801438 B 8/2013  
CN 103394143 A 11/2013  
WO WO-2009013736 A1 1/2009  
WO WO-2009045780 A2 4/2009  
WO WO-2009117466 A1 9/2009  
WO WO-2015199981 A1 12/2015

OTHER PUBLICATIONS

PAQ®, a Simple 3-Day Basal/Bolus Insulin Delivery Device, for People with Type 2 Diabetes, CeQur Corporation, Abstract from ATTD 2016, 9<sup>th</sup> International Conference on Advanced Technologies & Treatments for Diabetes, Milan, Italy—Feb. 3-6, 2016, 1 page.

Human Factor Testing Provided Valuable Input into the Iterative Optimization of PAQ®, CeQur Corporation, Abstract from ATTD 2016, 9<sup>th</sup> International Conference on Advanced Technologies & Treatments for Diabetes, Milan, Italy—Feb. 3-6, 2016, 1 page.

Validation of Adhesive Tape Optimization of PAQ®, a Simple 3-Day Wearable Basal/Bolus Insulin Delivery Device, in Normal Volunteers, CeQur Corporation, Abstract from ATTD 2016, 9<sup>th</sup> International Conference on Advanced Technologies & Treatments for Diabetes, Milan, Italy—Feb. 3-6, 2016, 1 page.

PAQ®, a Simple 3-Day Wearable Basal/Bolus Insulin Delivery Device, Designed for Discreet Diabetes Management, CeQur Corporation, Abstract from ATTD 2016, 9<sup>th</sup> International Conference on Advanced Technologies & Treatments for Diabetes, Milan, Italy—Feb. 3-6, 2016, 1 page.

\* cited by examiner

Primary Examiner — Nathan M Johnston  
(74) Attorney, Agent, or Firm — Dickinson Wright PLLC

(57) CLAIM

The ornamental design for a wearable drug delivery device, as shown and described.

DESCRIPTION

FIG. 1 is a top perspective view of a wearable drug delivery device showing our new design;

FIG. 2 is a bottom perspective view thereof;  
FIG. 3 is a top plan view thereof;  
FIG. 4 is a left side elevation view thereof;  
FIG. 5 is a right side elevation view thereof;  
FIG. 6 is a front elevation view thereof;  
FIG. 7 is a back elevation view thereof; and,  
FIG. 8 is a bottom plan view thereof.  
The broken lines show portions of the design that form no part of the claimed design.

**1 Claim, 6 Drawing Sheets**

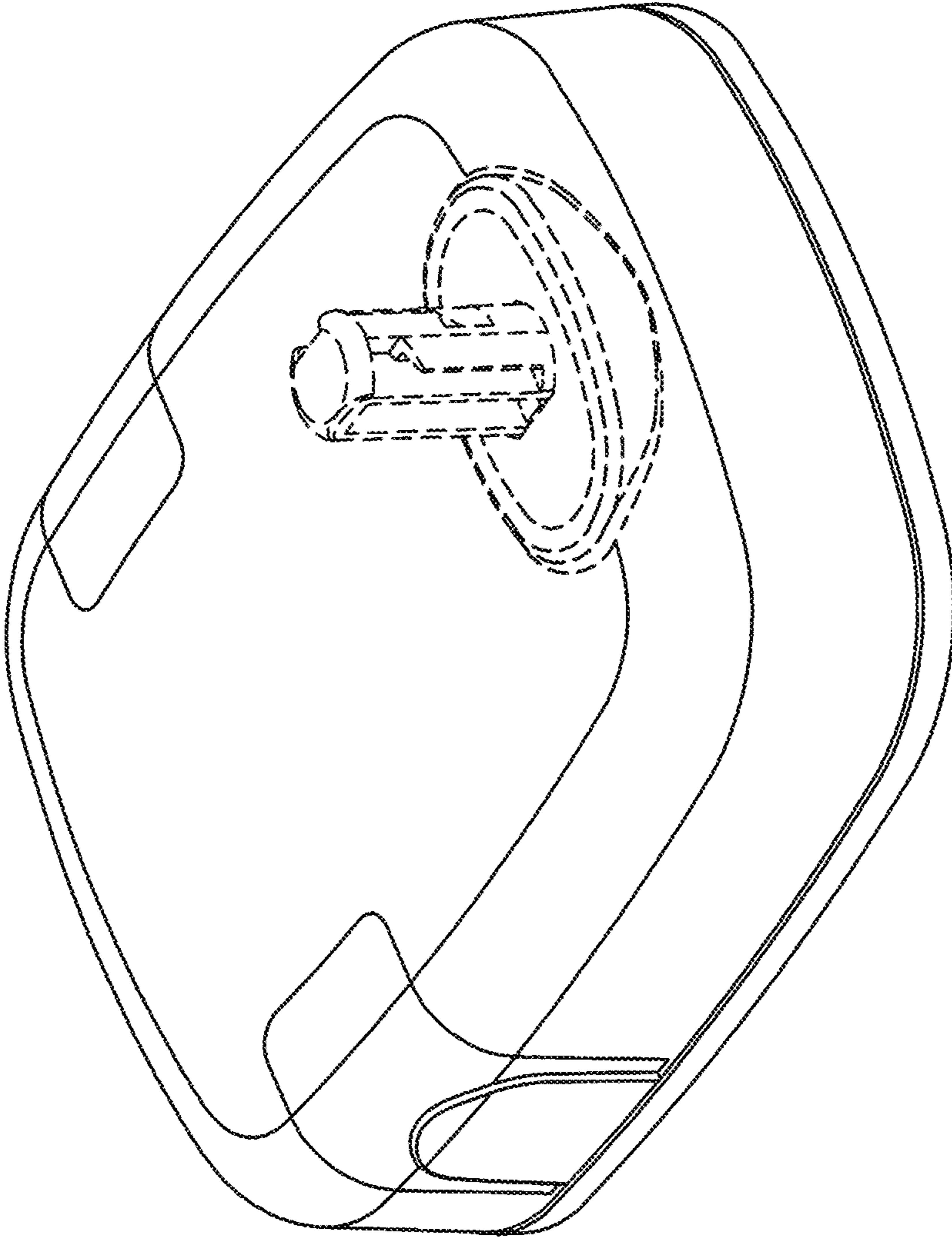


FIG.1

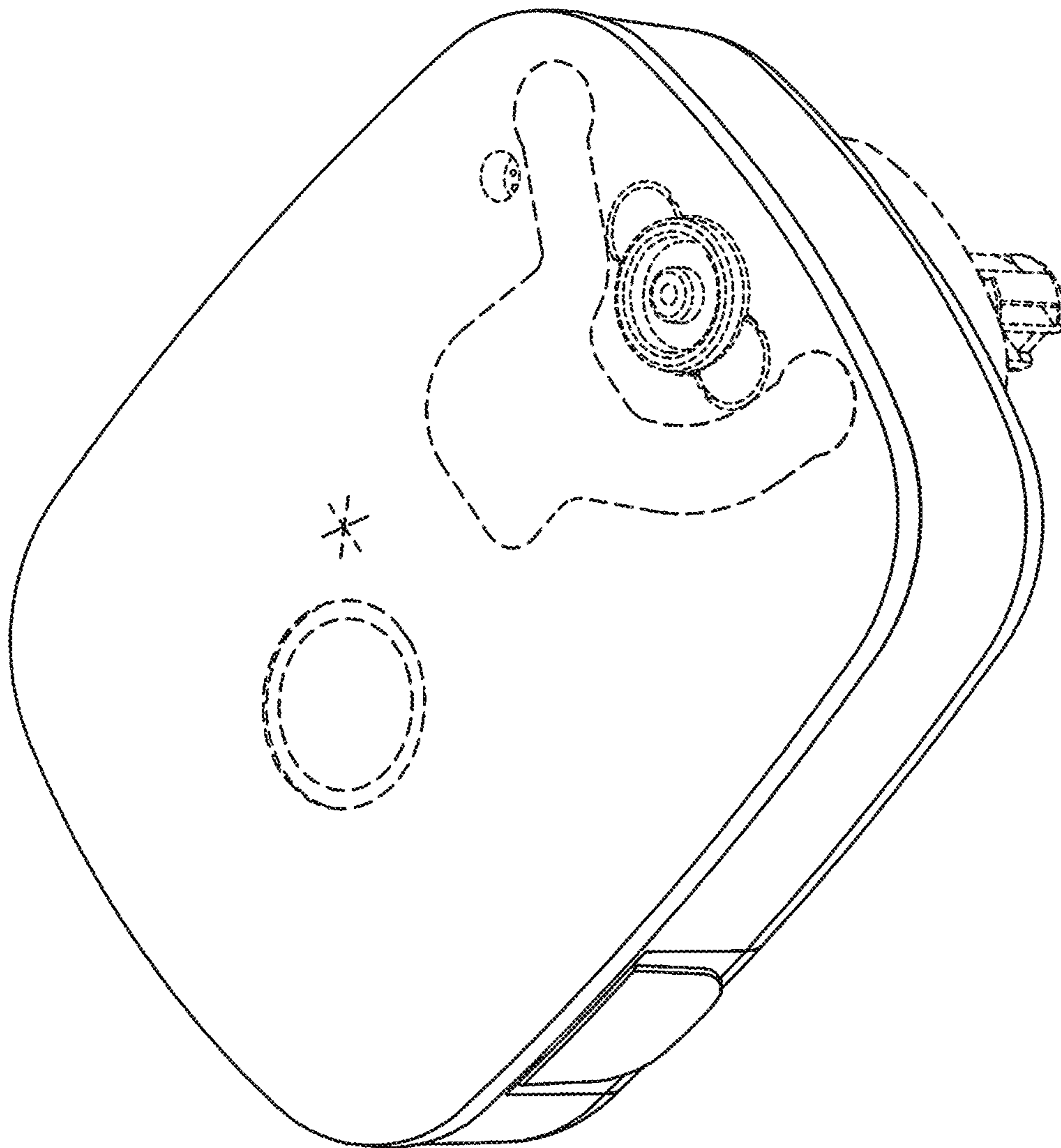


FIG.2

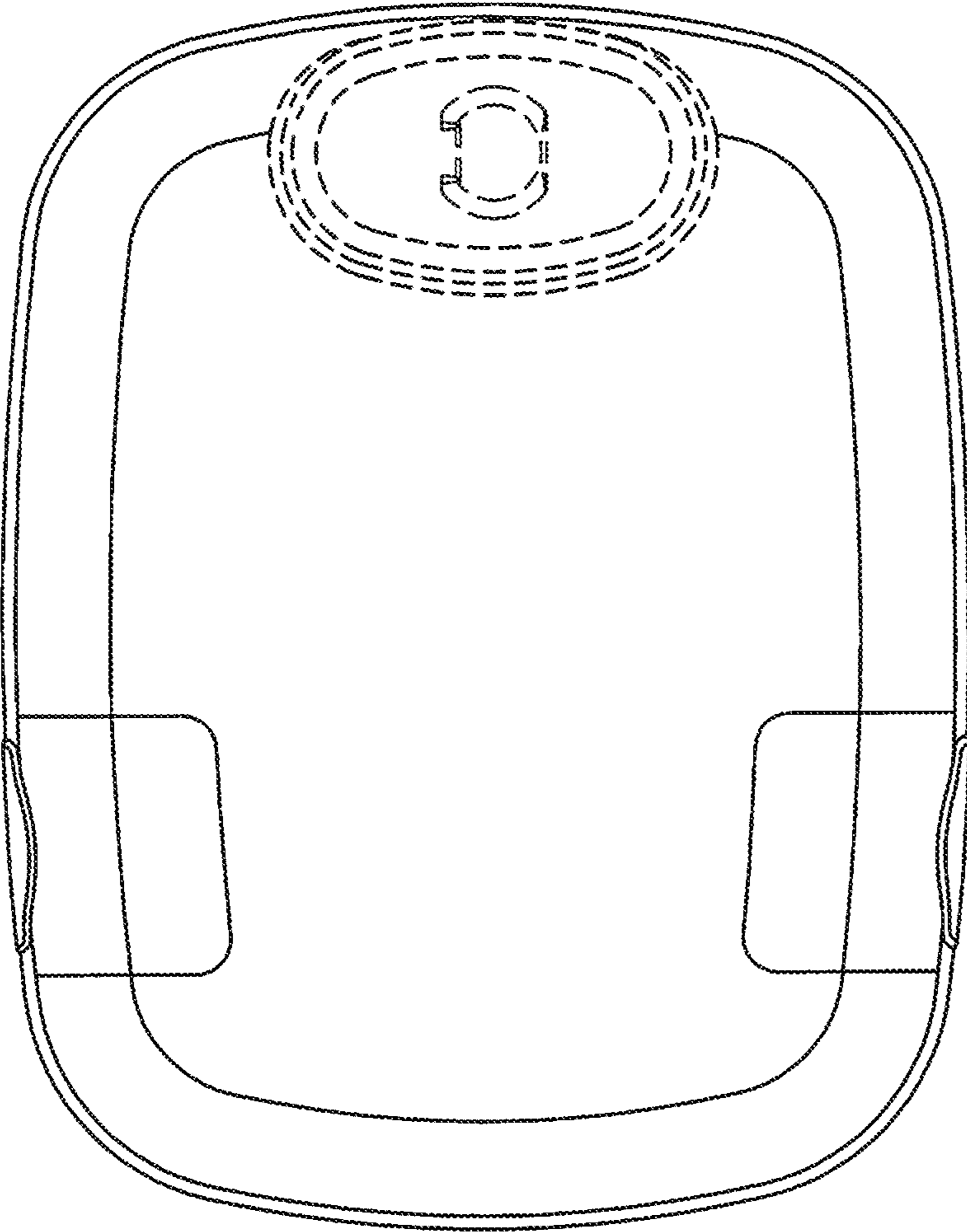


FIG.3

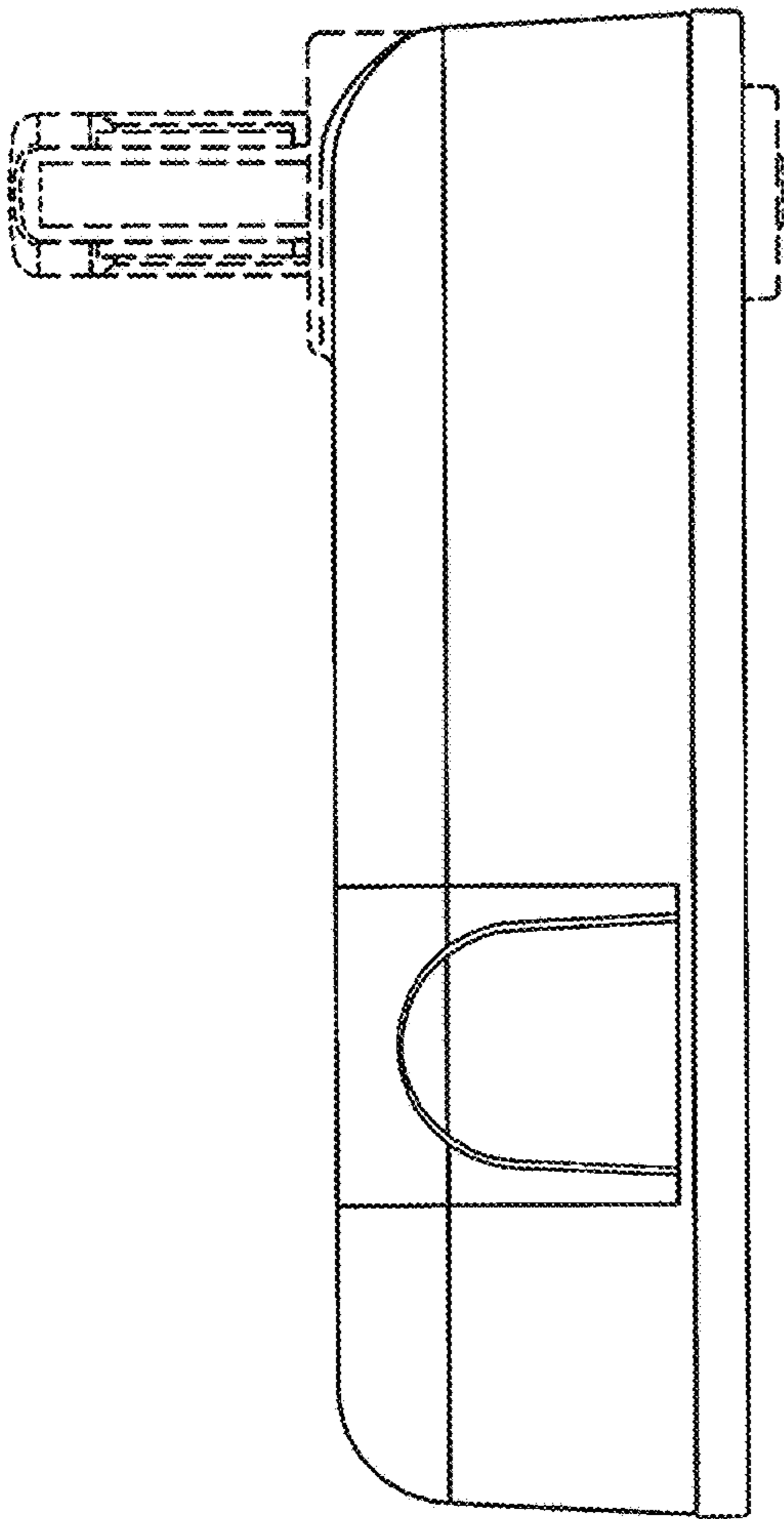


FIG. 4

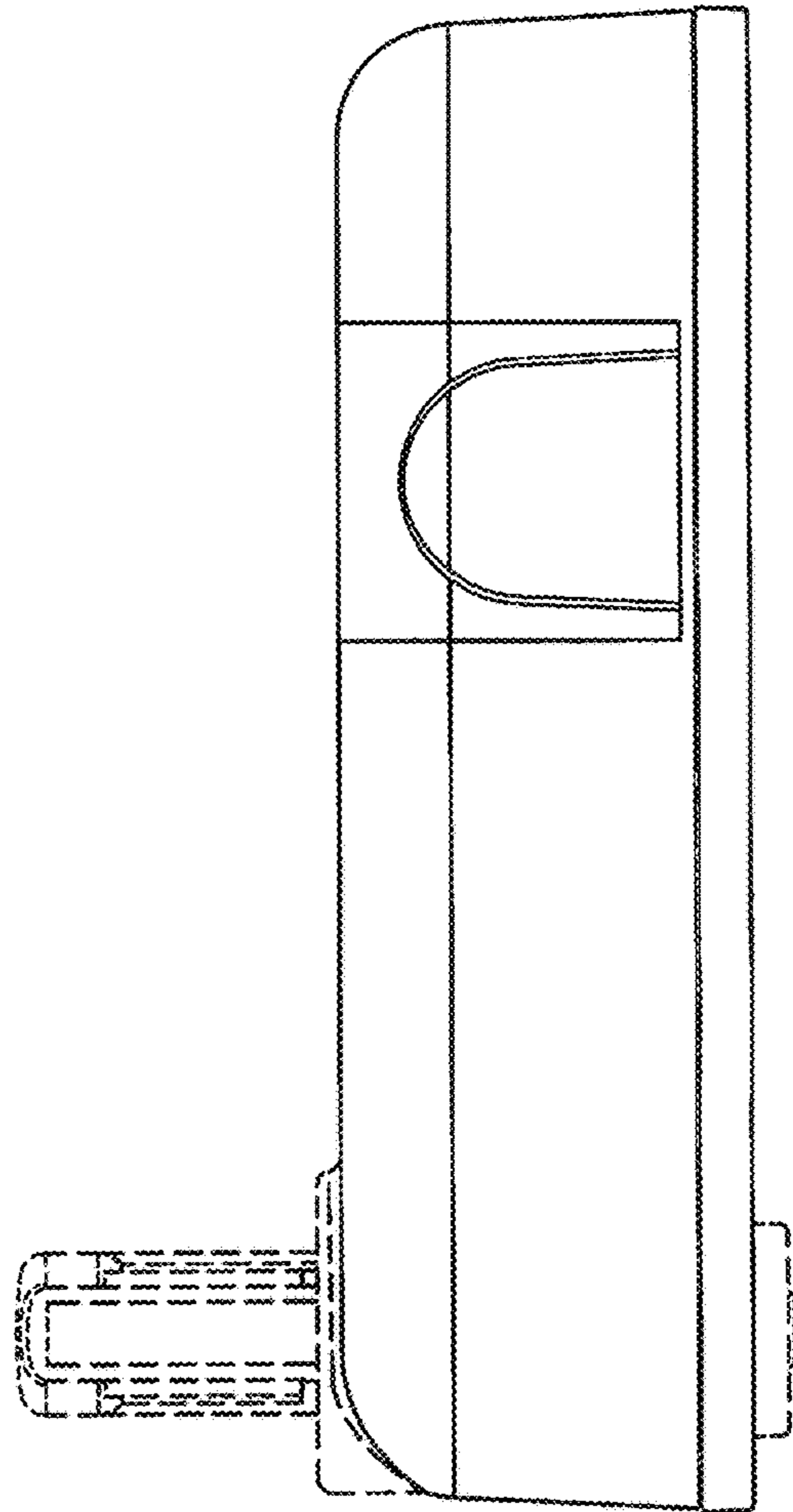


FIG. 5

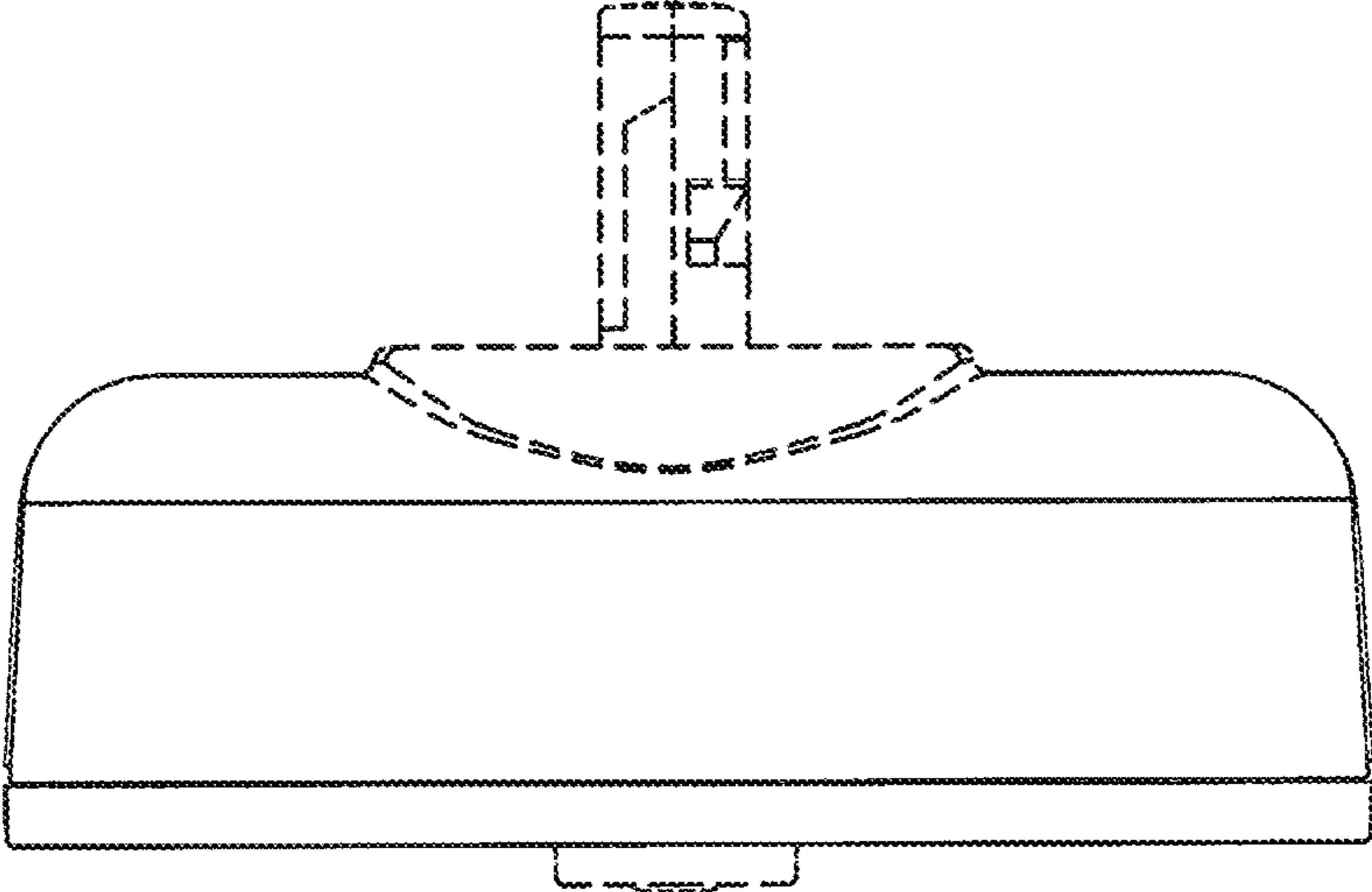


FIG. 6

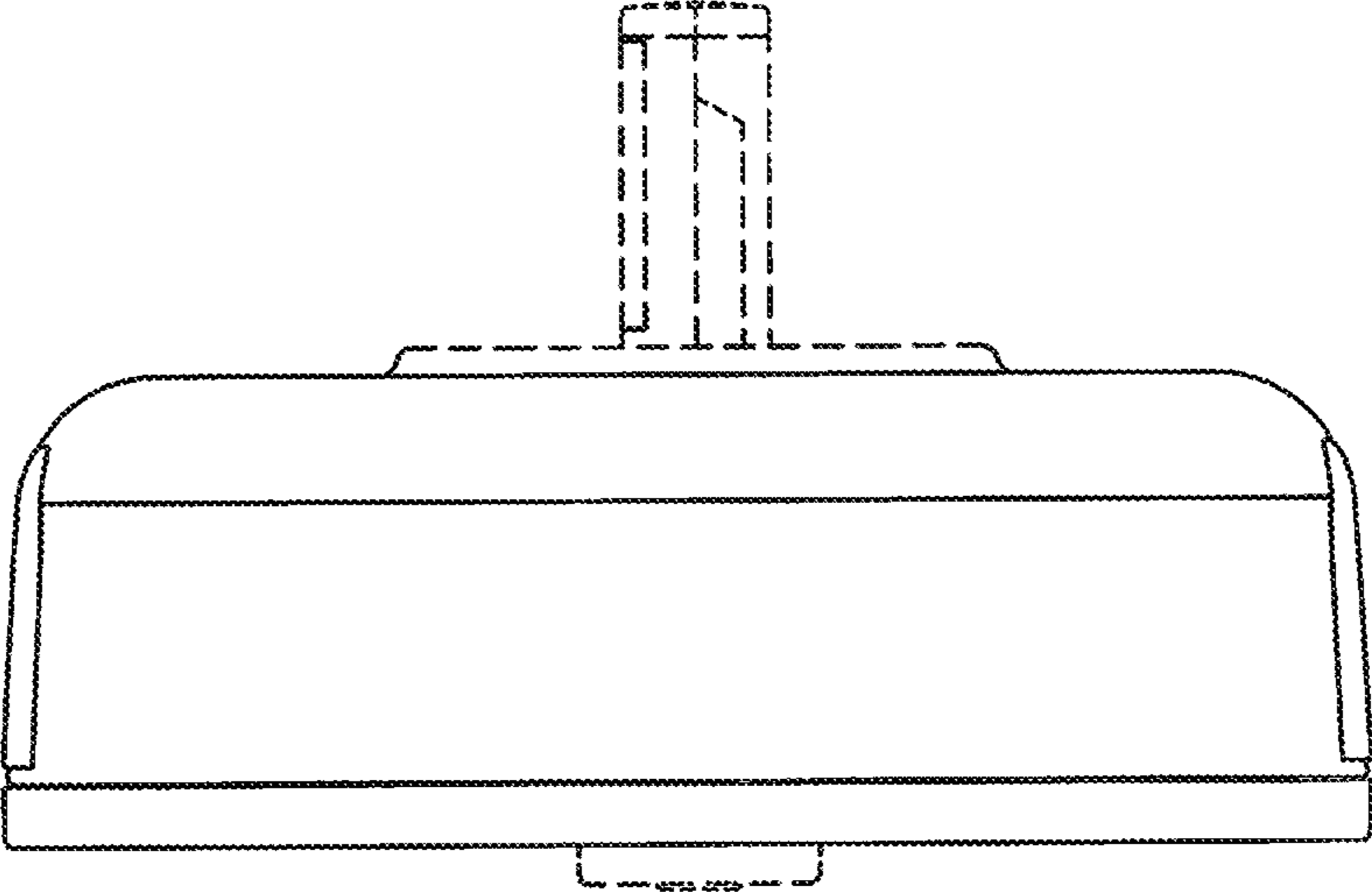


FIG. 7



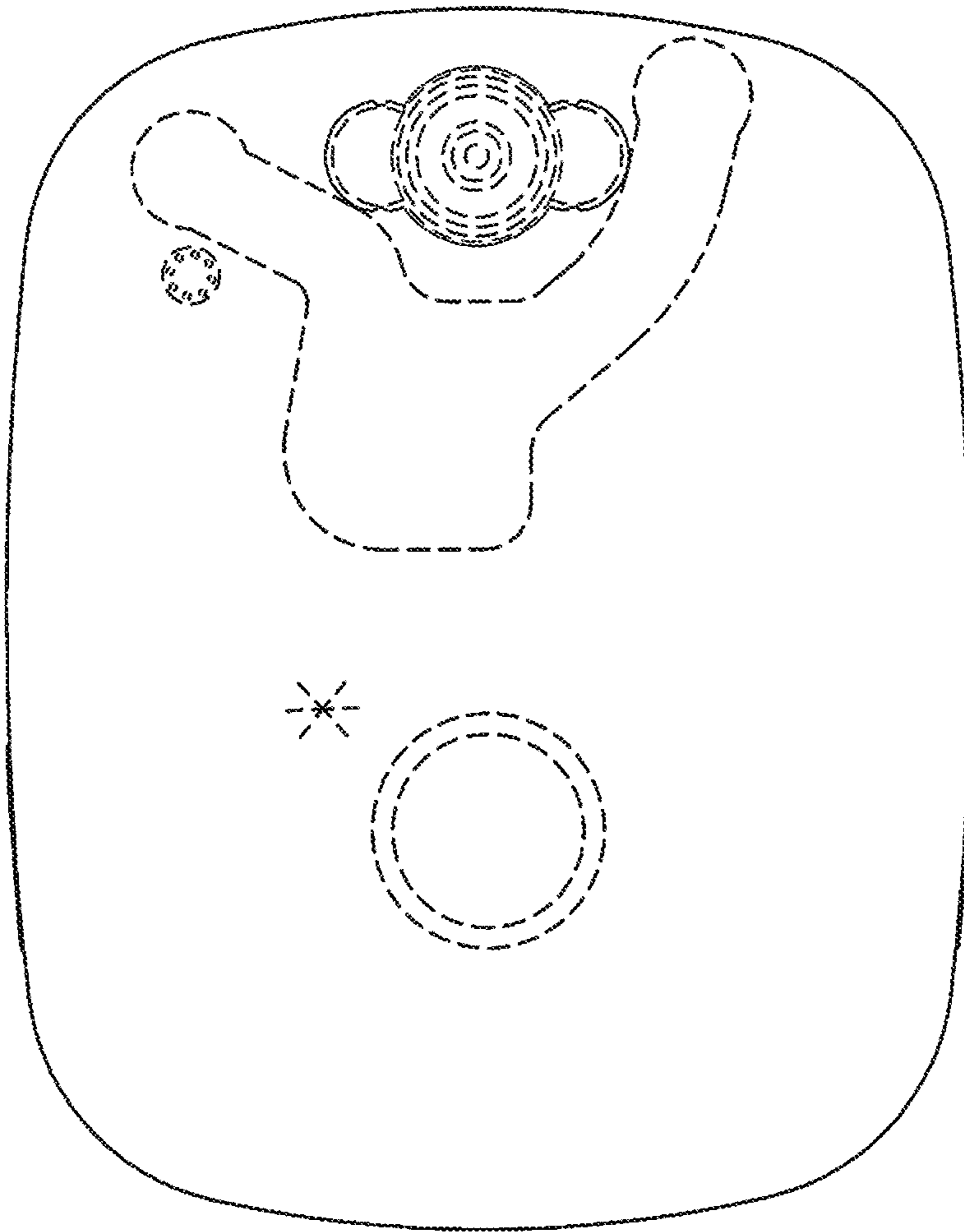


FIG. 8