



US00D878547S

(12) **United States Design Patent**  
**Hu**

(10) **Patent No.:** **US D878,547 S**  
(45) **Date of Patent:** **\*\* Mar. 17, 2020**

(54) **SNORKEL MASK**

(71) Applicant: **Yusong Hu**, Dongguan (CN)

(72) Inventor: **Yusong Hu**, Dongguan (CN)

(\*\*) Term: **15 Years**

(21) Appl. No.: **29/616,924**

(22) Filed: **Sep. 11, 2017**

(51) **LOC (12) Cl.** ..... **29-02**

(52) **U.S. Cl.**

USPC ..... **D24/110.2; D24/110.4**

(58) **Field of Classification Search**

USPC ..... **D24/110-110.6; D29/110**

CPC ..... **B63C 11/205; B63C 11/16; B63C 11/186;**

**B63C 11/12**

See application file for complete search history.

(56) **References Cited**

**U.S. PATENT DOCUMENTS**

D775,722 S *	1/2017	Caprice	.....	D24/110.2
D838,358 S *	1/2019	Xu	.....	D24/110.2
D839,408 S *	1/2019	Hu	.....	D24/110.2
D849,932 S *	5/2019	Caprice	.....	D24/110.2
D851,747 S *	6/2019	Hu	.....	D24/110
D859,642 S *	9/2019	Xiong	.....	D24/110.2
D860,436 S *	9/2019	Chen	.....	D24/110.2
2016/0297505 A1 *	10/2016	Caprice	.....	B63C 11/16
2017/0096204 A1 *	4/2017	Cucchia	.....	B63C 11/12
2017/0334531 A1 *	11/2017	Shiue	.....	A62B 9/02
2018/0065719 A1 *	3/2018	Liao	.....	B63C 11/14
2018/0134352 A1 *	5/2018	Armani	.....	B63C 11/16
2018/0297676 A1 *	10/2018	Zheng	.....	B63C 11/16
2018/0319471 A1 *	11/2018	Thomas	.....	B63C 11/16

2019/0002068 A1 *	1/2019	Godoy	.....	B63C 11/205
2019/0023366 A1 *	1/2019	Liao	.....	B63C 11/16
2019/0039702 A1 *	2/2019	Gamberini	.....	B63C 11/12
2019/0118918 A1 *	4/2019	Xiao	.....	B63C 11/16
2019/0224506 A1 *	7/2019	Palmieri	.....	A62B 9/02
2019/0225312 A1 *	7/2019	Barone	.....	B63C 11/16

**FOREIGN PATENT DOCUMENTS**

EM	003873801-0002	*	4/2017
EM	004255503-0001	*	9/2017

\* cited by examiner

*Primary Examiner* — Lilyana Bekic

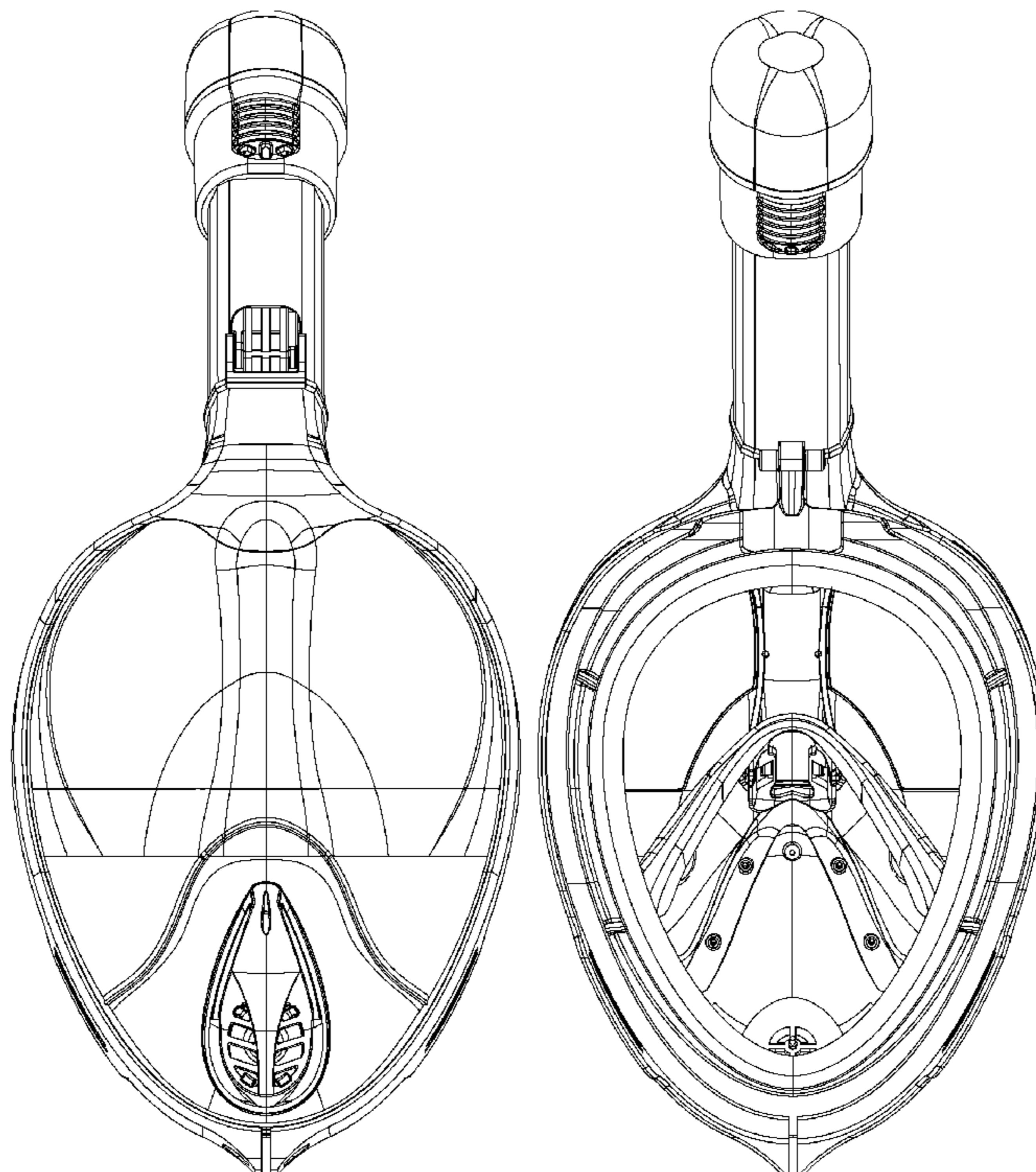
(57) **CLAIM**

The ornamental design for a snorkel mask, as shown.

**DESCRIPTION**

FIG. 1 is a left side elevational view of a snorkel mask showing my new design;  
 FIG. 2 is a right side elevational view thereof;  
 FIG. 3 is a top plan view thereof;  
 FIG. 4 is a bottom plan view thereof;  
 FIG. 5 is a front elevational view thereof;  
 FIG. 6 is a rear elevational view thereof;  
 FIG. 7 is a left side, top, and front perspective view thereof;  
 FIG. 8 is a left side, bottom and front perspective view thereof;  
 FIG. 9 is a right side, bottom and front perspective view thereof;  
 FIG. 10 is a rear perspective view thereof;  
 FIG. 11 is a bottom and rear perspective view thereof; and,  
 FIG. 12 is a top and rear perspective view thereof.

**1 Claim, 12 Drawing Sheets**



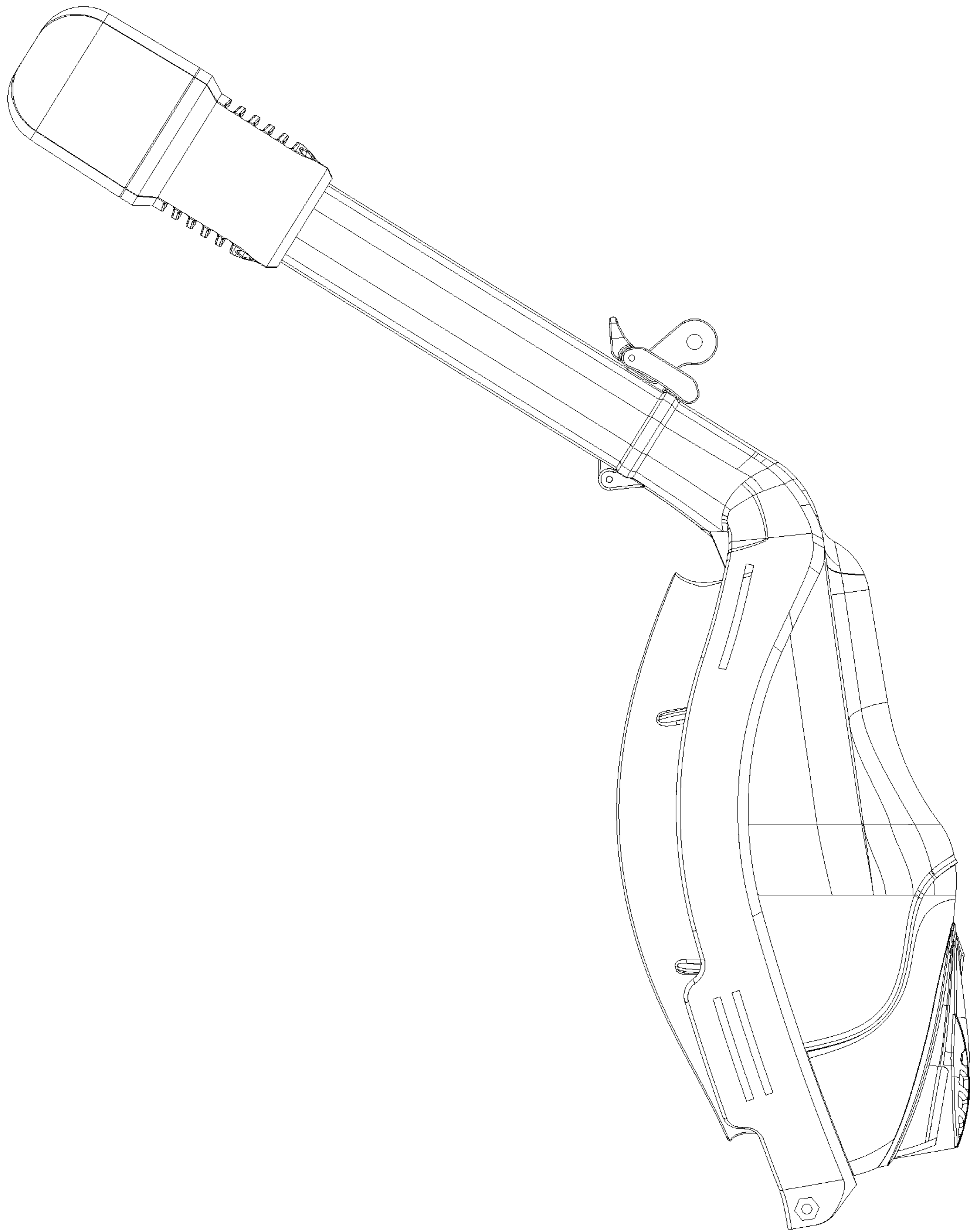


FIG. 1

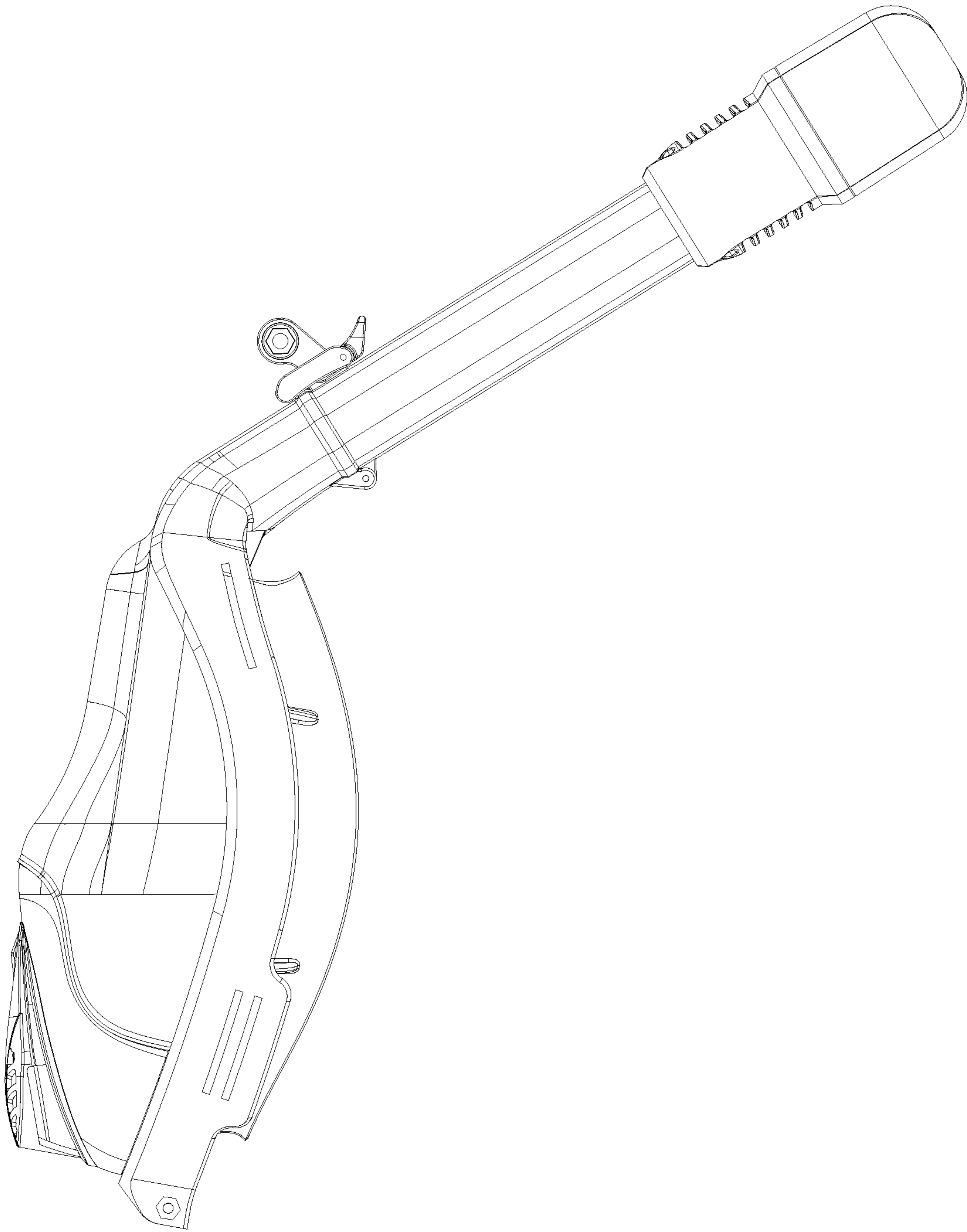


FIG. 2

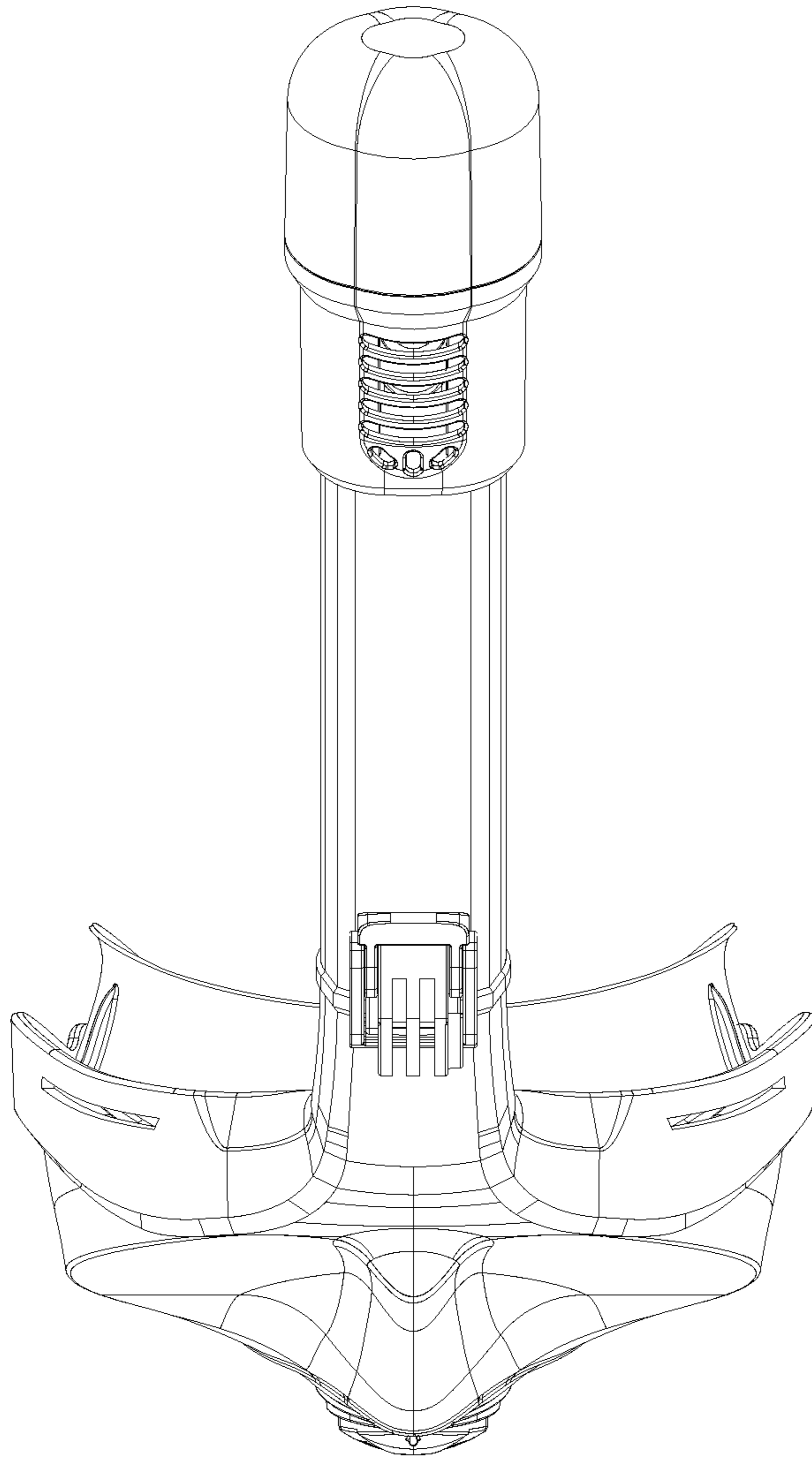


FIG. 3

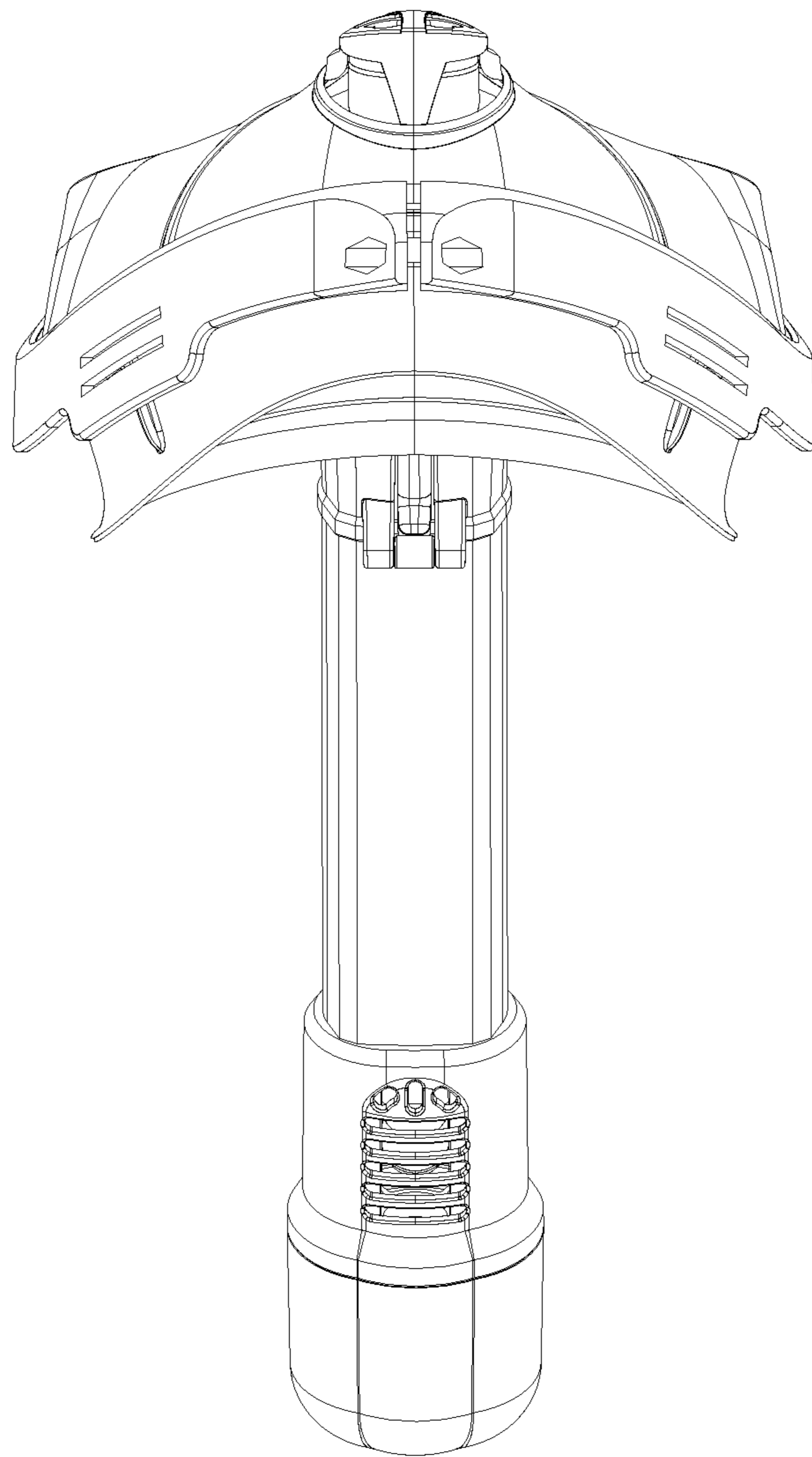


FIG. 4

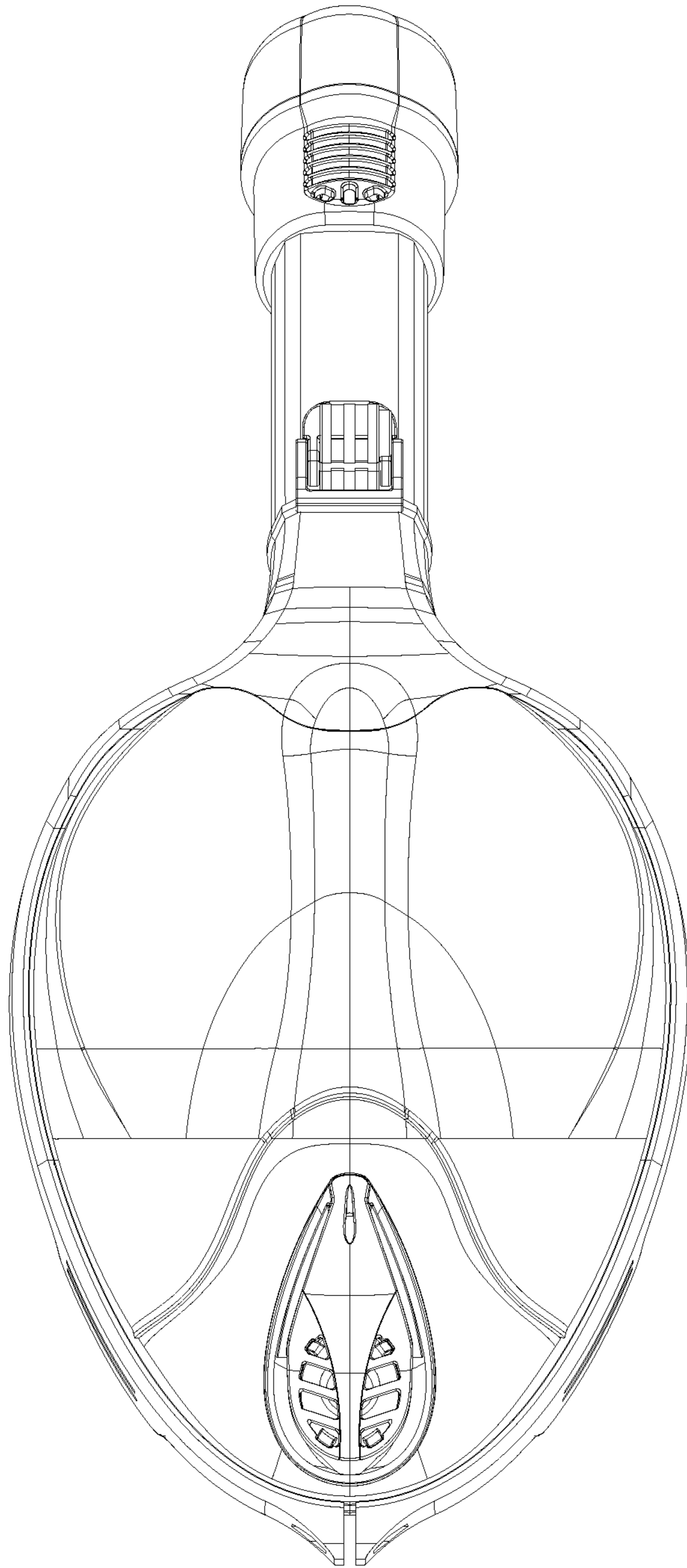


FIG. 5

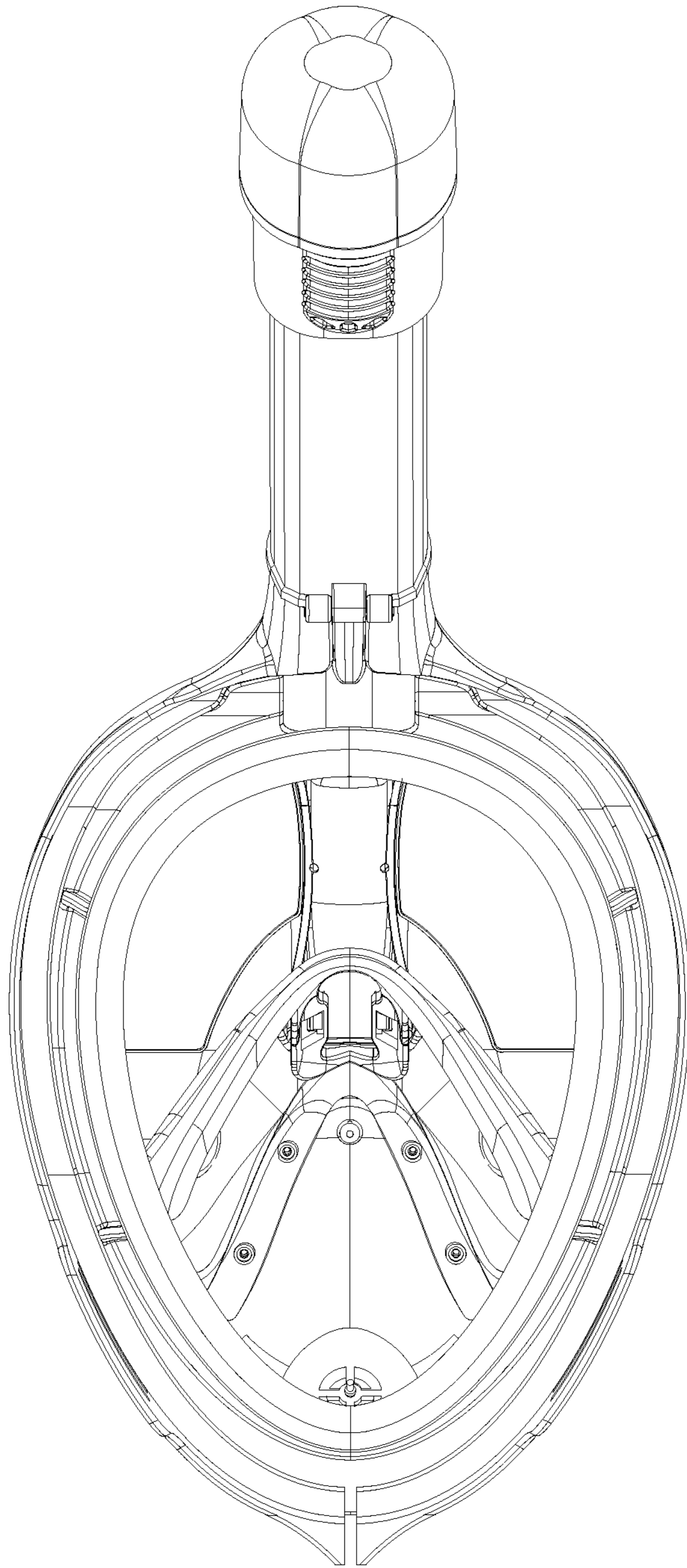


FIG. 6

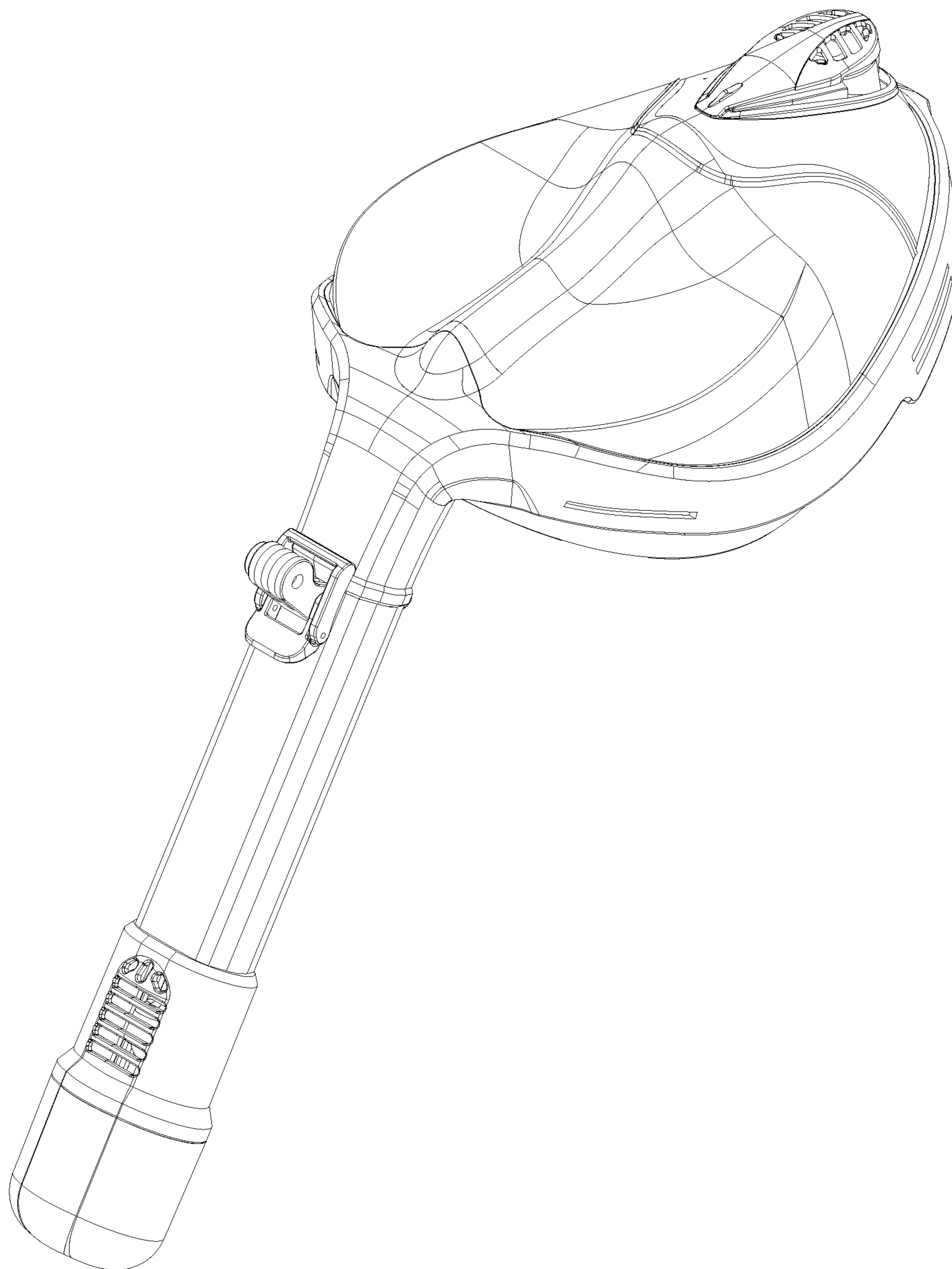


FIG. 7



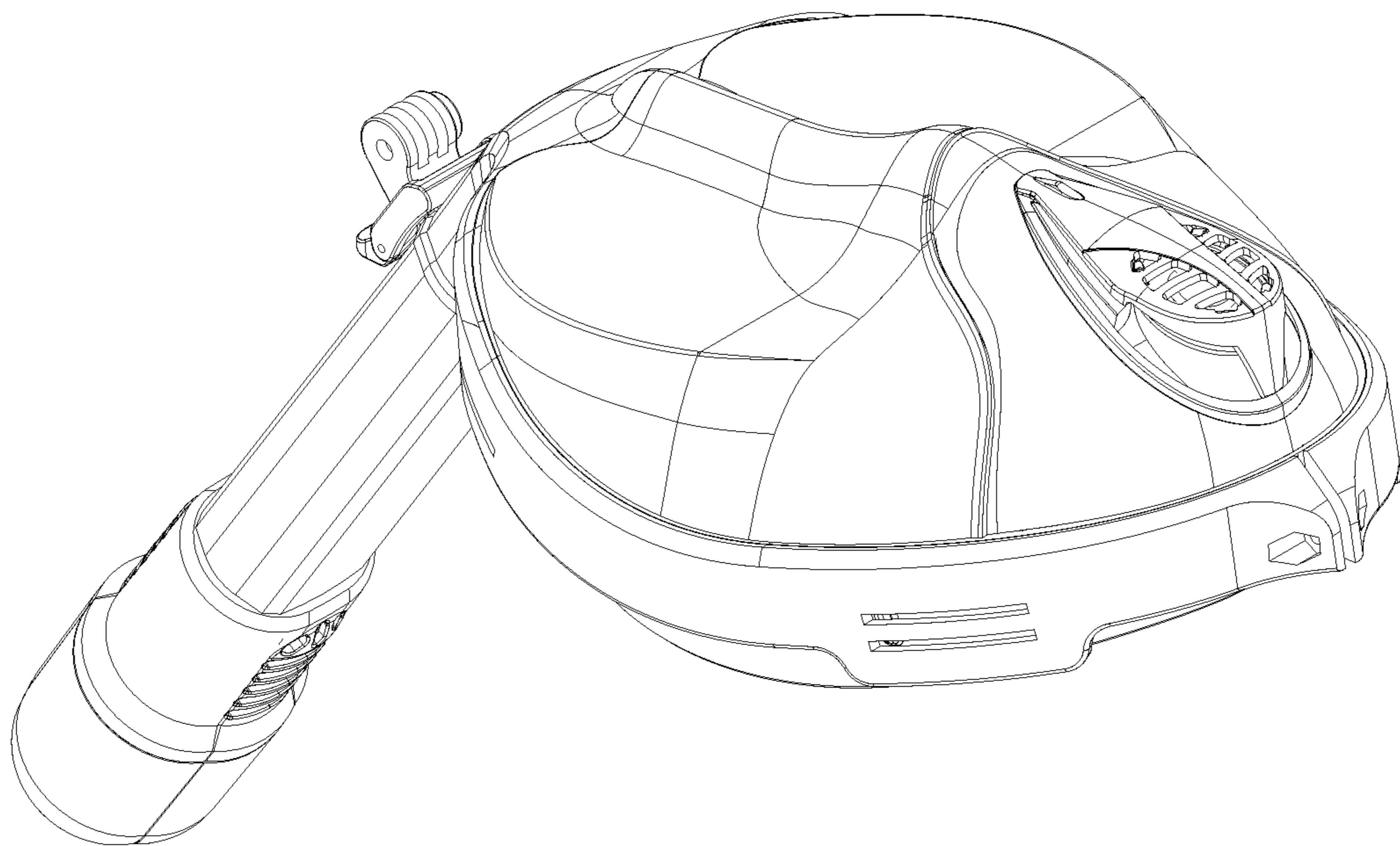


FIG. 8

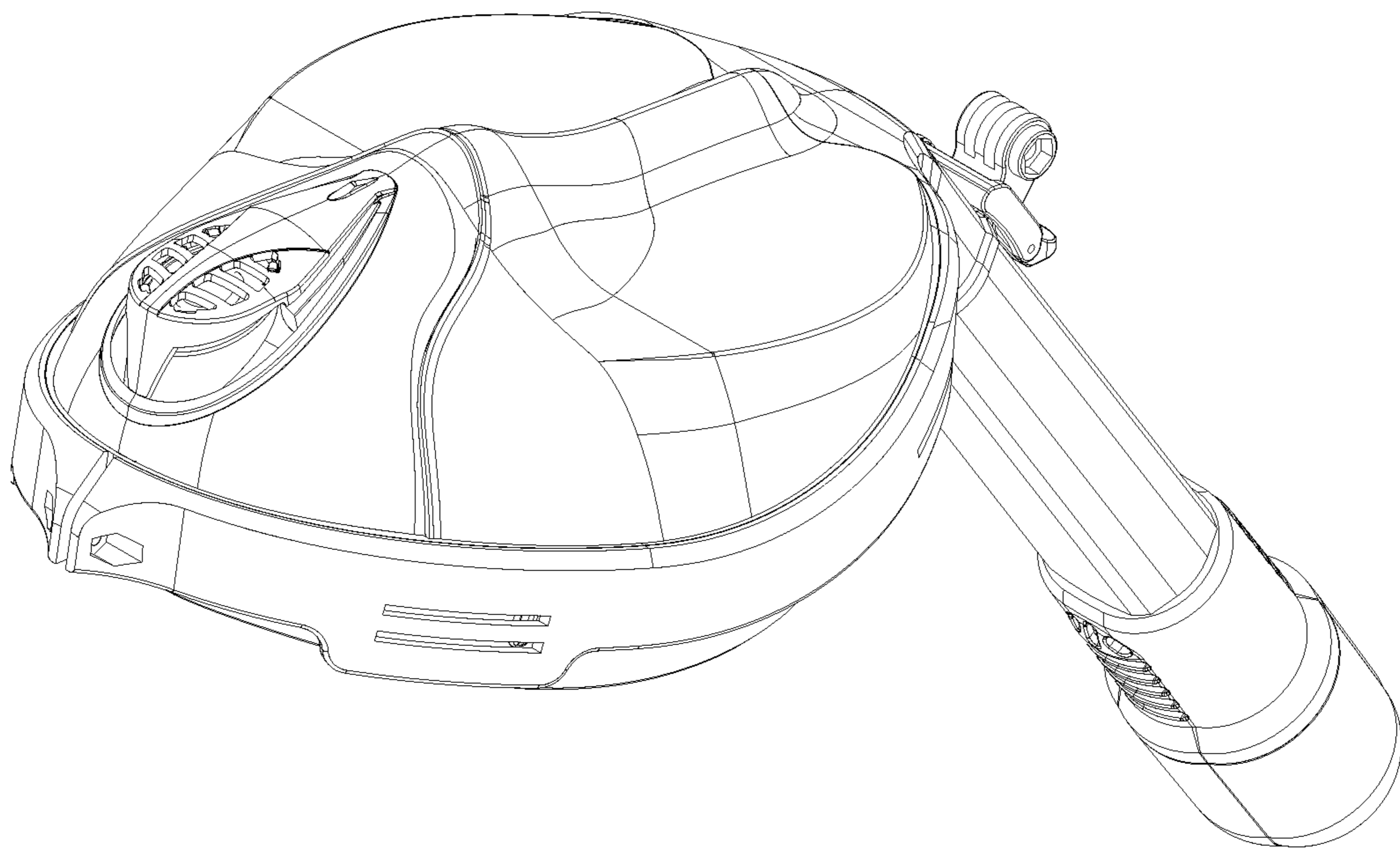


FIG. 9

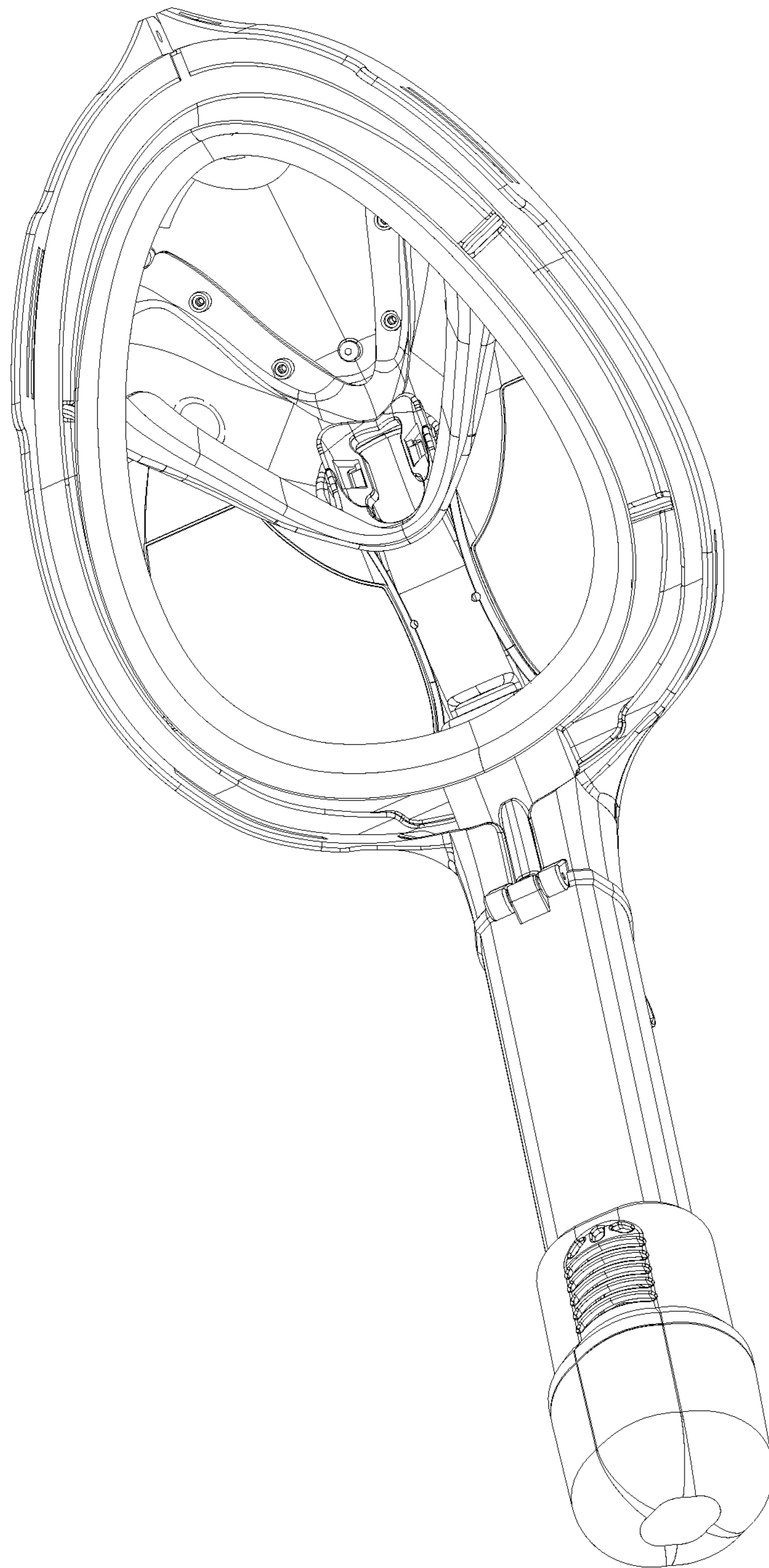


FIG. 10

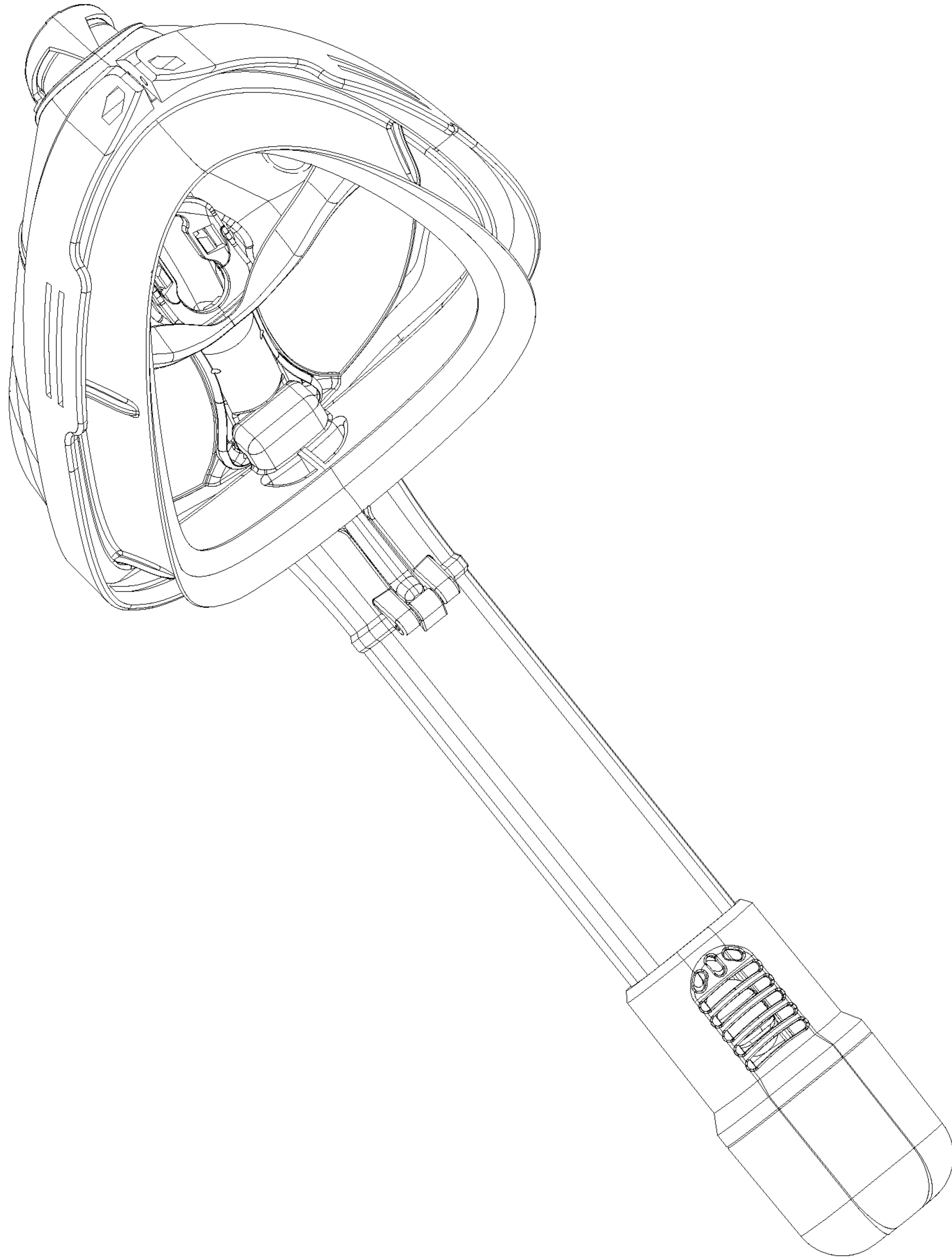


FIG. 11

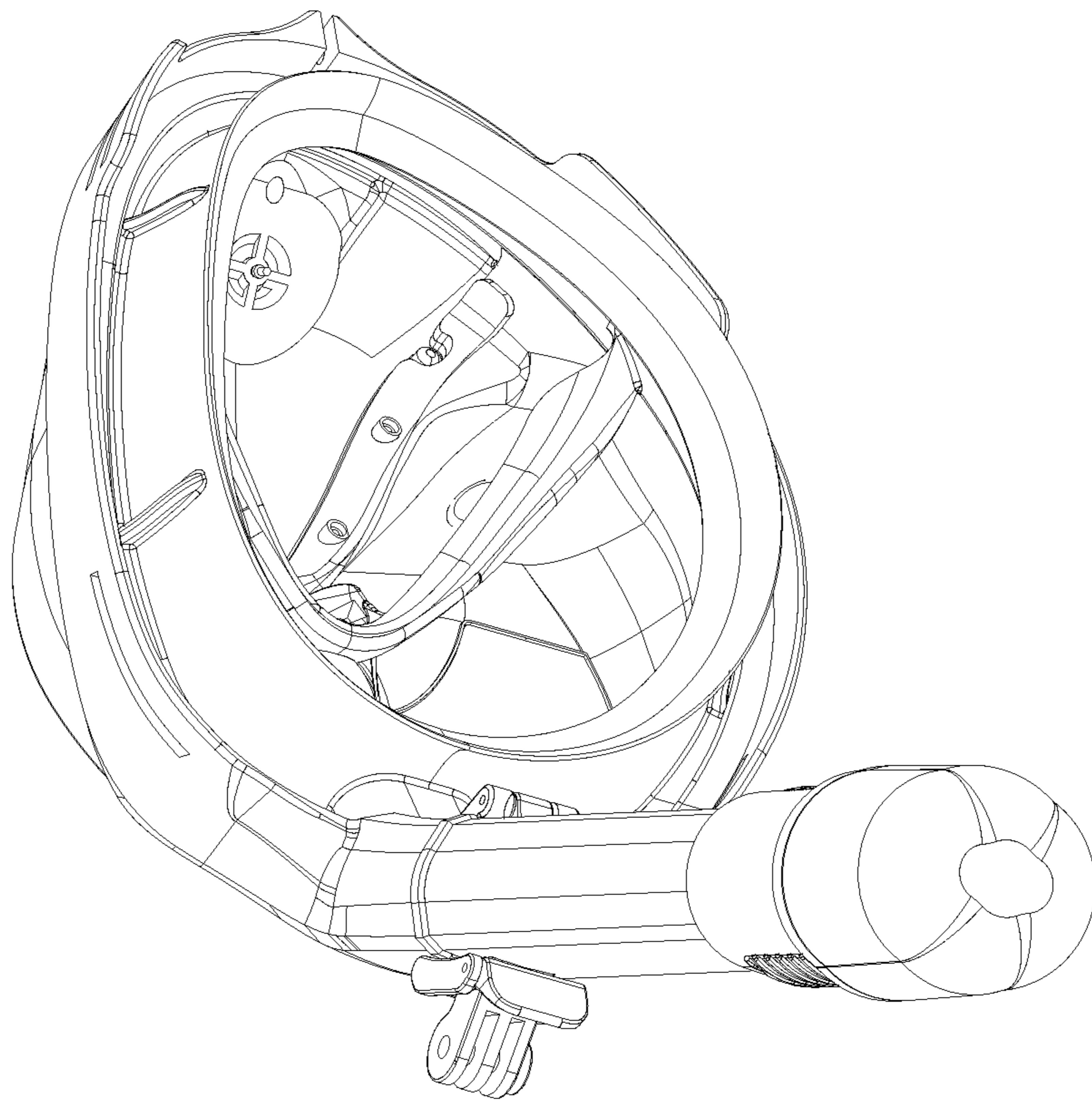


FIG. 12