



US00D878545S

(12) **United States Design Patent**
Scheiner et al.

(10) **Patent No.:** **US D878,545 S**
(45) **Date of Patent:** **** Mar. 17, 2020**

(54) **NASAL PRONGS**

(71) Applicant: **ResMed Pty Ltd**, Bella Vista, New South Wales (AU)

(72) Inventors: **Rupert Christian Scheiner**, Sydney (AU); **Christopher Scott Skipper**, Sydney (AU); **Gregory Scott Smart**, Sydney (AU)

(73) Assignee: **ResMed Pty Ltd**, Bella Vista (AU)

(**) Term: **15 Years**

(21) Appl. No.: **29/647,621**

(22) Filed: **May 15, 2018**

Related U.S. Application Data

(60) Continuation of application No. 29/425,101, filed on Jun. 20, 2012, now Pat. No. Des. 820,432, which is a
(Continued)

(51) **LOC (12) Cl.** **24-02**

(52) **U.S. Cl.**
USPC **D24/110**

(58) **Field of Classification Search**
USPC **D24/108-110.5**
(Continued)

(56) **References Cited**

U.S. PATENT DOCUMENTS

443,191 A 12/1890 Illing
D439,326 S 3/2001 Hecker et al.
(Continued)

OTHER PUBLICATIONS

Scheiner et al., Parent U.S. Appl. No. 29/371,116, filed Oct. 27, 2010.

Primary Examiner — Charles D Hanson

(74) *Attorney, Agent, or Firm* — Nixon & Vanderhye P.C.

(57) **CLAIM**

The ornamental design for nasal prongs, as shown and described.

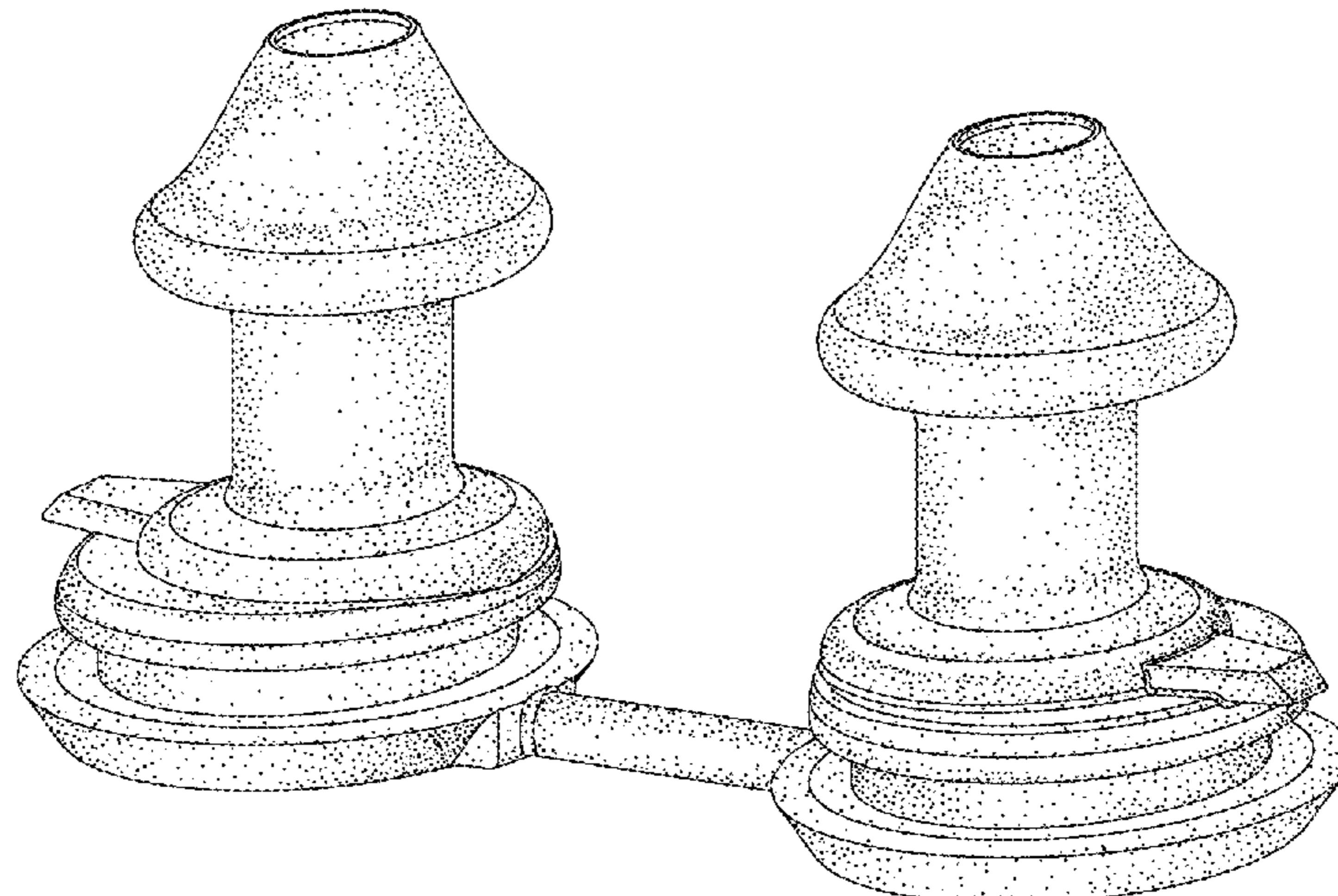
DESCRIPTION

FIG. 1 is a front perspective view of nasal prongs according to an embodiment of our design;
FIG. 2 is a reverse perspective view thereof;
FIG. 3 is a front view thereof;
FIG. 4 is a rear view thereof;
FIG. 5 is a top view thereof;
FIG. 6 is a bottom view thereof;
FIG. 7 is a left side view thereof;
FIG. 8 is a right side view thereof;
FIG. 9 is a front perspective view of nasal prongs according to a second embodiment of our design;
FIG. 10 is a reverse perspective view thereof;
FIG. 11 is a front view thereof;
FIG. 12 is a rear view thereof;
FIG. 13 is a top view thereof;
FIG. 14 is a bottom view thereof;
FIG. 15 is a left side view thereof;
FIG. 16 is a right side view thereof;
FIG. 17 is a front perspective view of nasal prongs according to a third embodiment of our design;
FIG. 18 is a reverse perspective view thereof;
FIG. 19 is a front view thereof;
FIG. 20 is a rear view thereof;
FIG. 21 is a top view thereof;
FIG. 22 is a bottom view thereof;
FIG. 23 is a left side view thereof; and,
FIG. 24 is a right side view thereof.

Throughout the various figures of the drawings, certain views may not be provided. The omission of a particular view is intended to convey that the element(s) depicted is/are plain and unornamented in that omitted view, or that the particular ornamental appearance in that view is simply not claimed.

Where included, the use of stippling and shading is provided to show contrast in materials to differentiate between dif-

(Continued)



ferent areas of the design. The claimed design is not limited to the illustrative use of stippling and/or shading.

1 Claim, 12 Drawing Sheets

Related U.S. Application Data

continuation of application No. 29/371,116, filed on Oct. 27, 2010, now Pat. No. Des. 664,250, which is a division of application No. 29/266,941, filed on Oct. 2, 2006, now Pat. No. Des. 635,247.

(58) **Field of Classification Search**
CPC A61M 16/08; A61M 16/06; A62B 18/08
See application file for complete search history.

(56) **References Cited**

U.S. PATENT DOCUMENTS

6,644,315 B2 11/2003 Ziaee
D568,985 S 5/2008 Chandran et al.
D583,048 S 12/2008 Chandran et al.
D583,049 S 12/2008 Chandran et al.

D586,910 S 2/2009 Chandran et al.
D594,111 S 6/2009 Reid et al.
D595,840 S 7/2009 Davidson et al.
D597,199 S 7/2009 Smart et al.
D597,659 S 8/2009 Chandran et al.
D614,288 S 4/2010 Judson et al.
D614,763 S 4/2010 Maurer et al.
D623,288 S * 9/2010 Lubke D24/110.1
D635,247 S 3/2011 Scheiner et al.
D644,250 S 8/2011 Barber et al.
D645,557 S * 9/2011 Scheiner D24/110.1
D659,237 S * 5/2012 Lubke D24/110.1
D664,250 S * 7/2012 Scheiner D24/110.1
D678,510 S * 3/2013 Koschany D24/110
D735,317 S * 7/2015 Collazo D24/110.1
D787,662 S * 5/2017 Guney D24/110.4
D868,239 S * 11/2019 Collazo D24/110.1
D868,240 S * 11/2019 Collazo D24/110.1
2005/0011524 A1 * 1/2005 Thomlinson A61M 16/0666
128/207.18
2006/0124131 A1 * 6/2006 Chandran A61M 16/06
128/206.28
2006/0283461 A1 * 12/2006 Lubke A61M 16/20
128/207.11
2011/0056497 A1 * 3/2011 Scheiner A61M 16/06
128/206.24

* cited by examiner

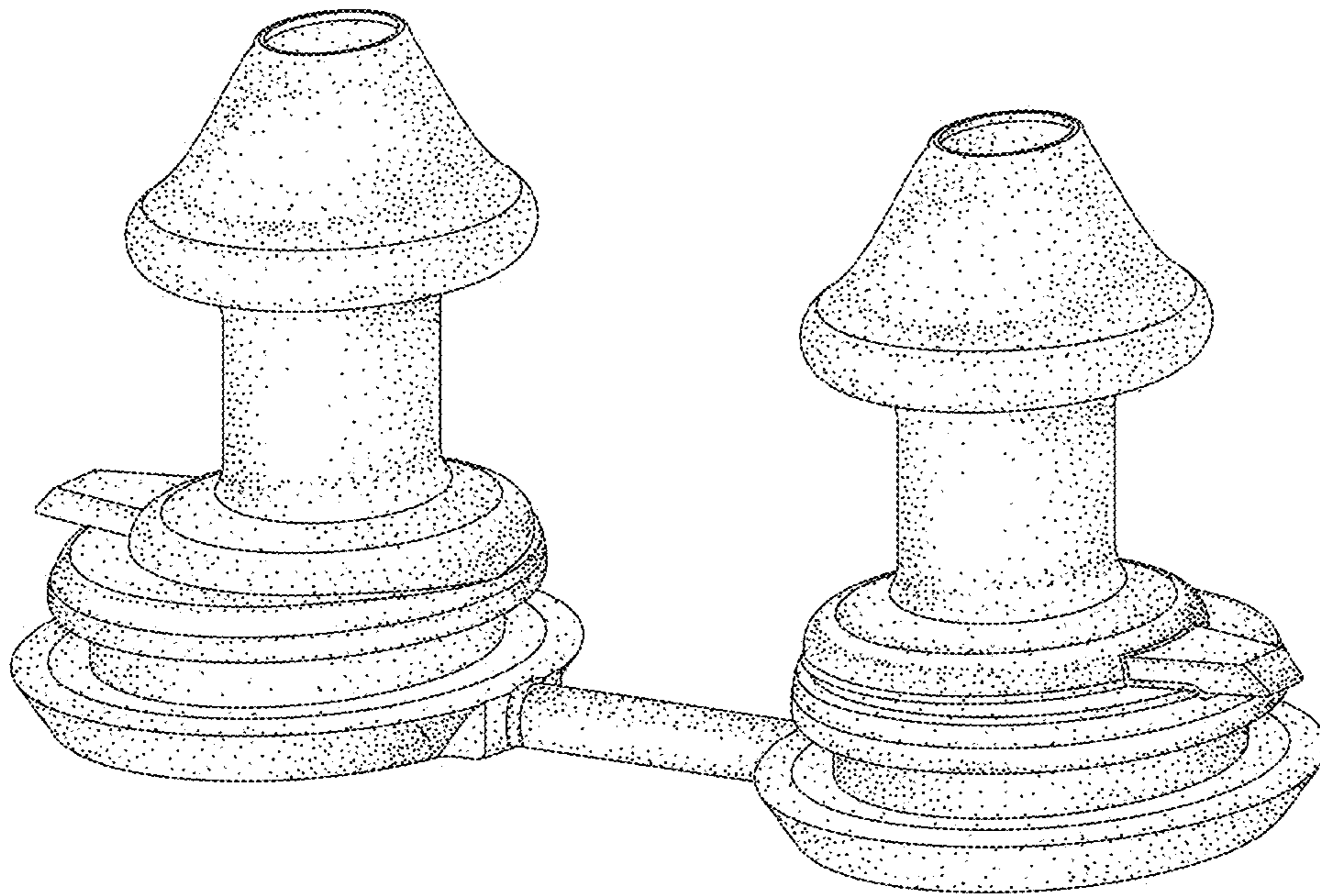


Fig. 1

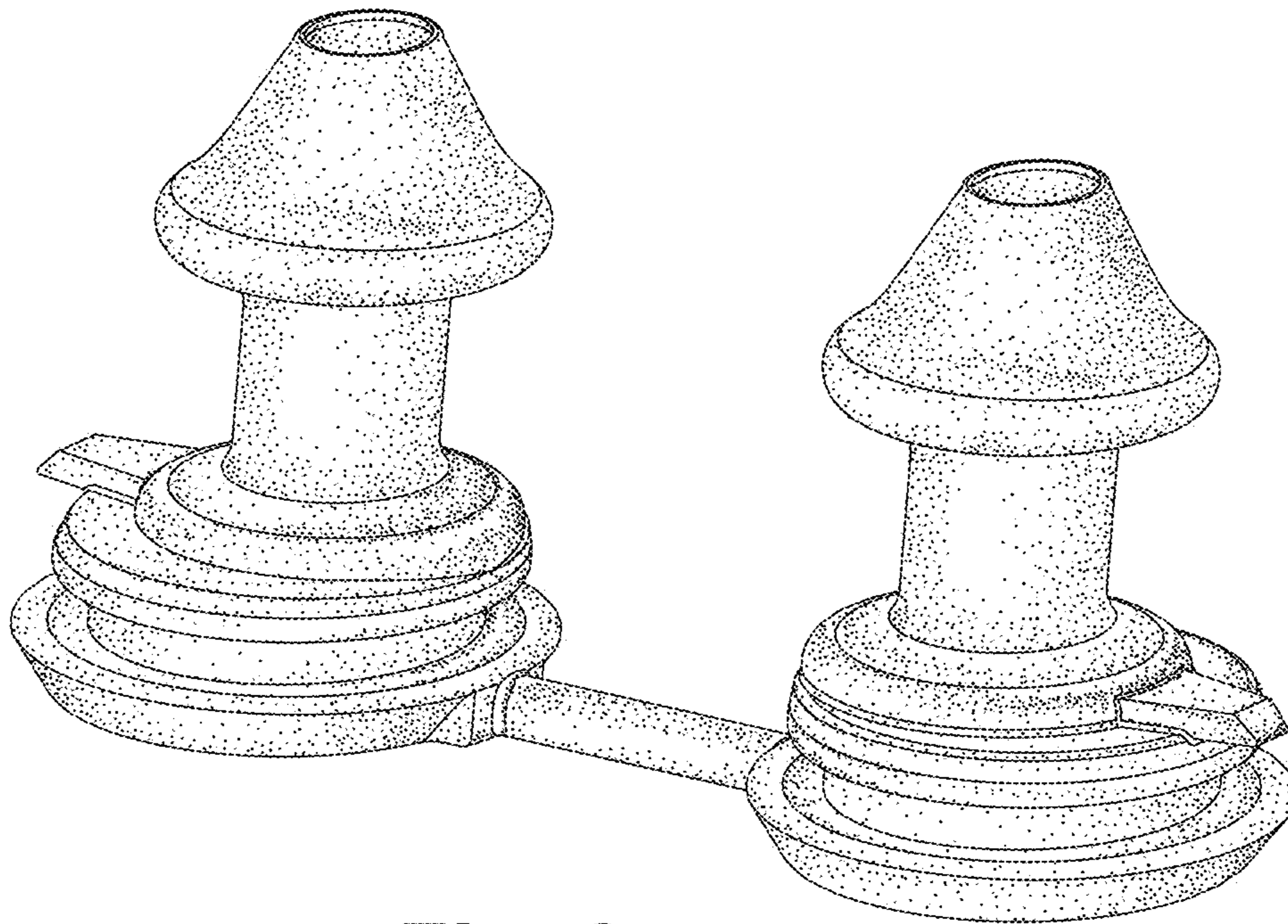


Fig. 2

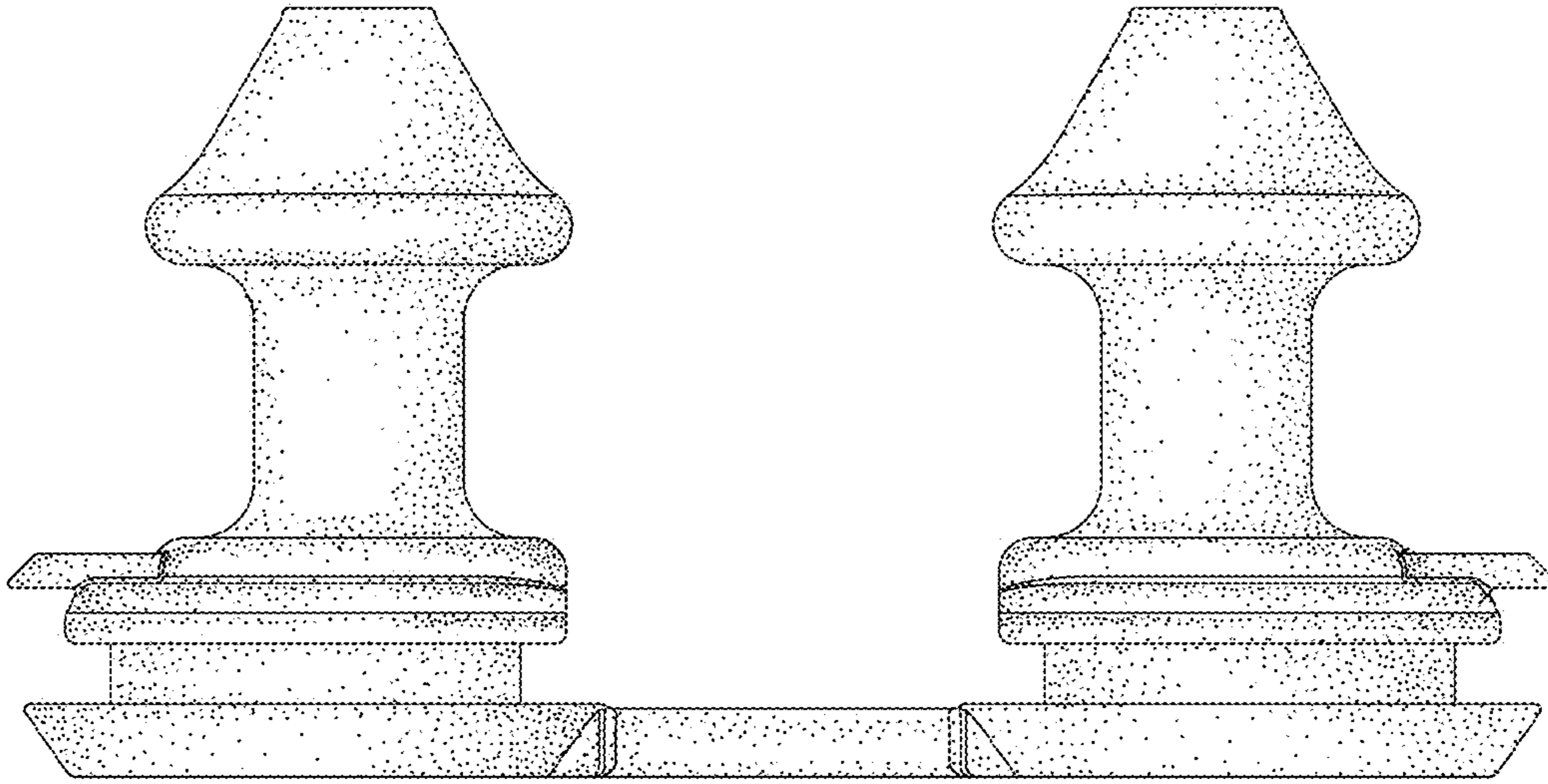


Fig. 3

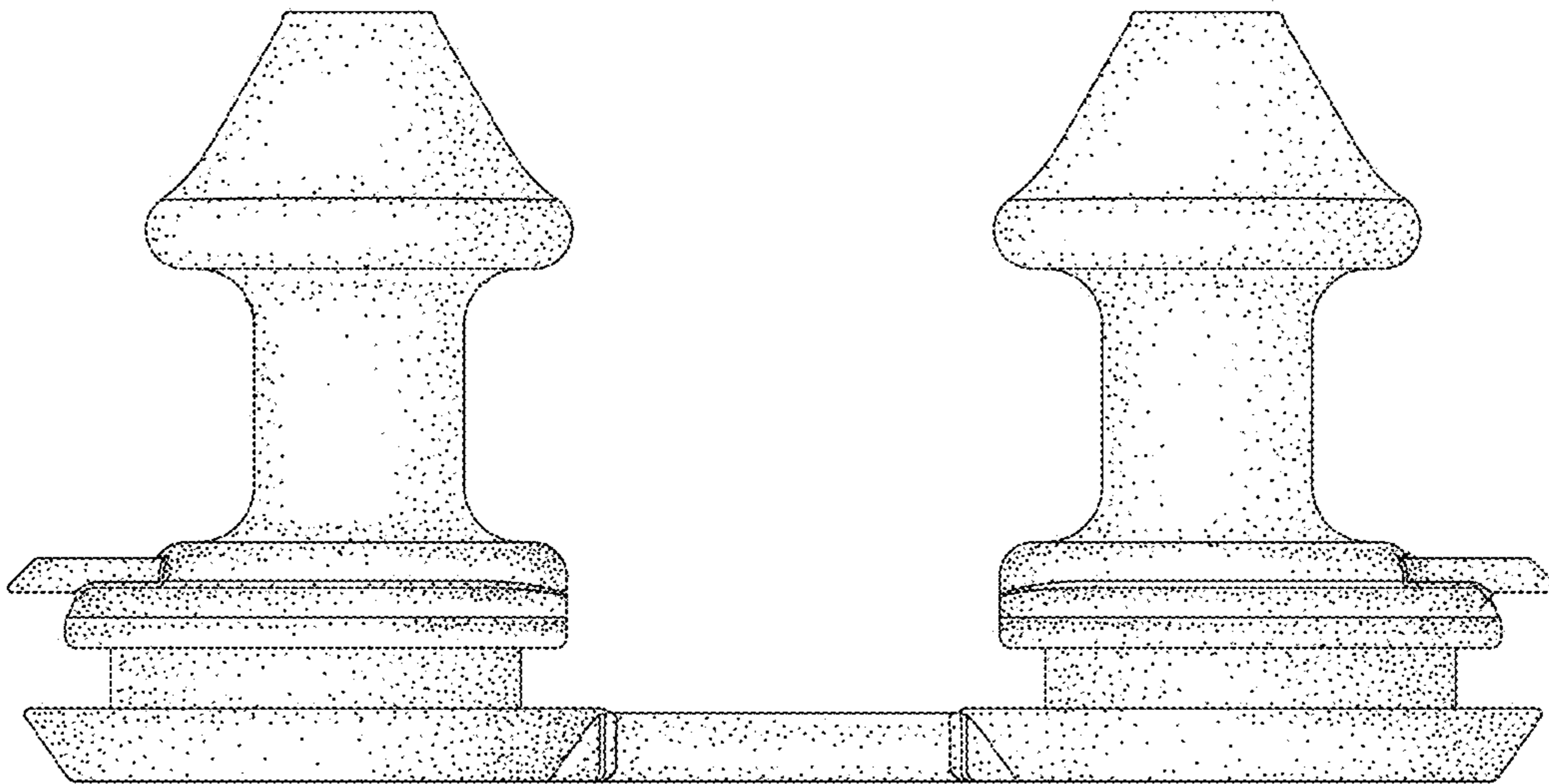


Fig. 4

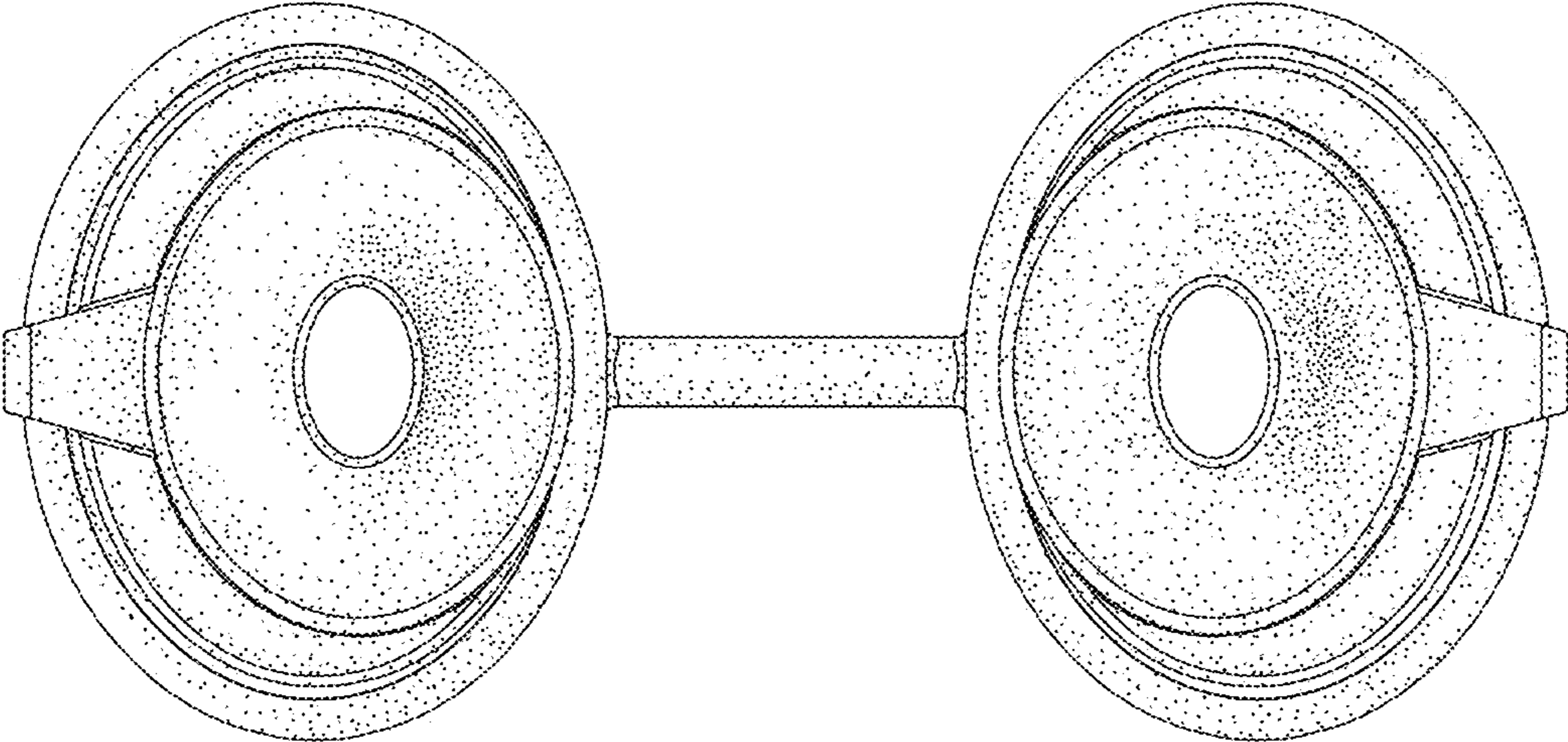


Fig. 5

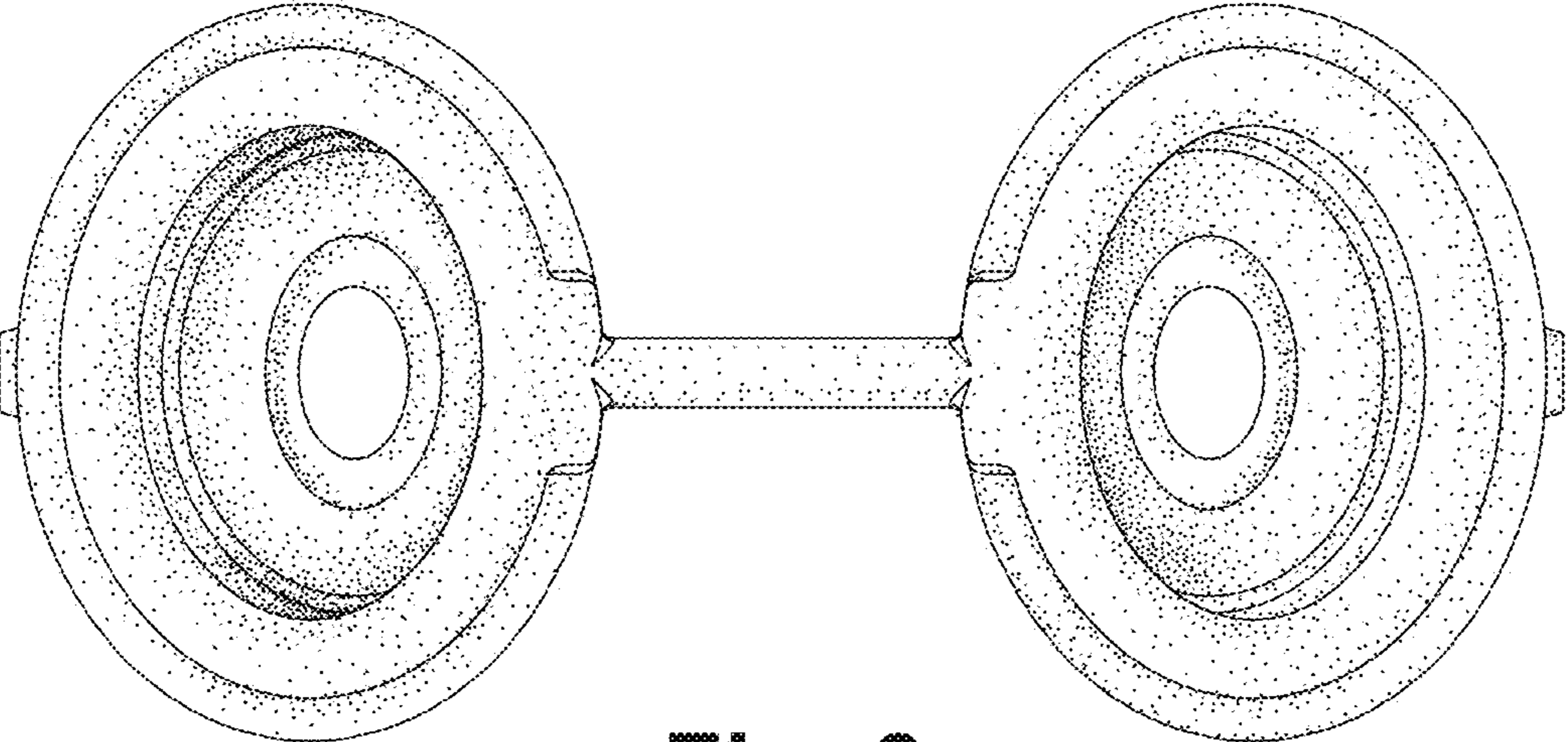


Fig. 6

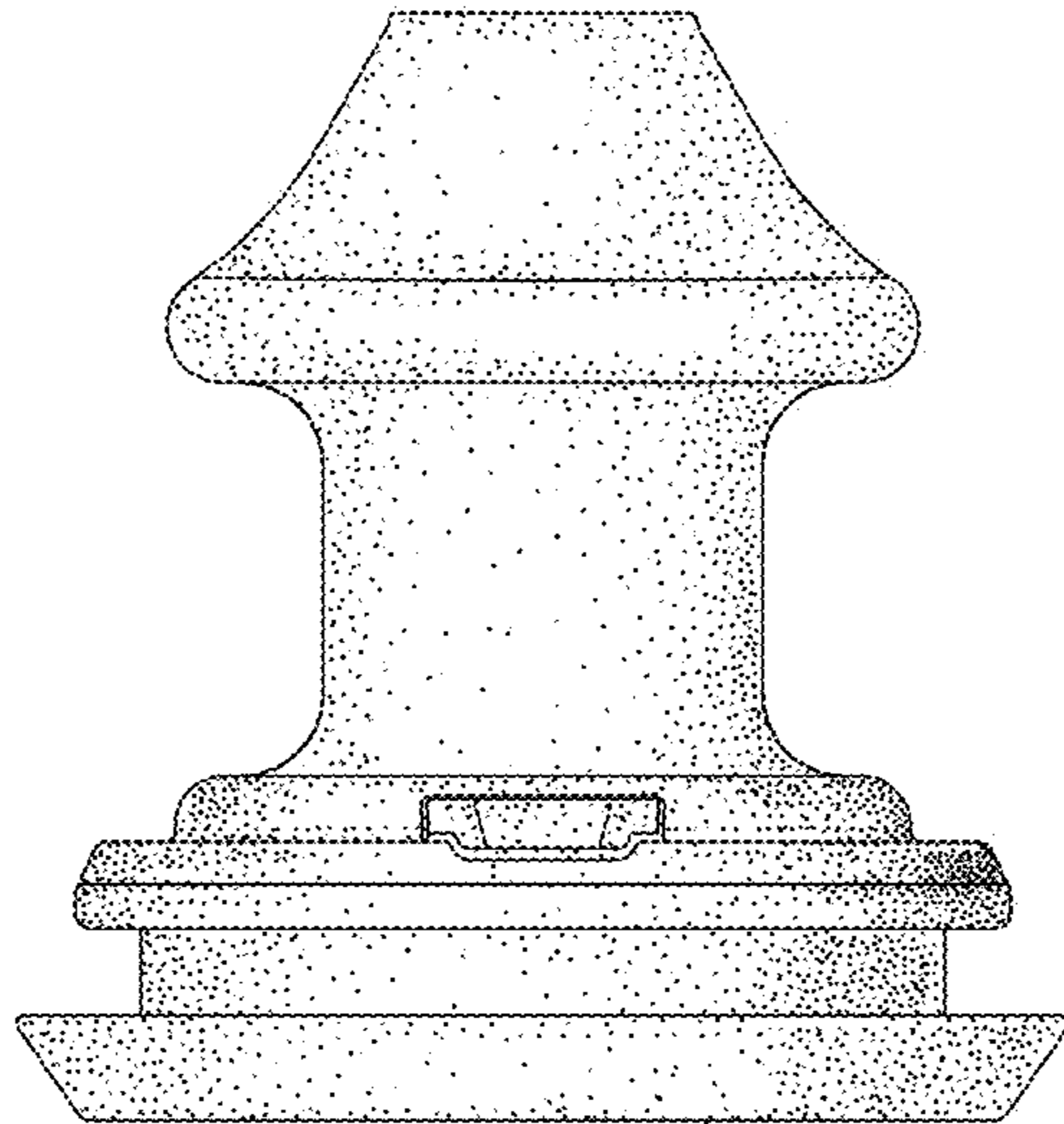


Fig. 7

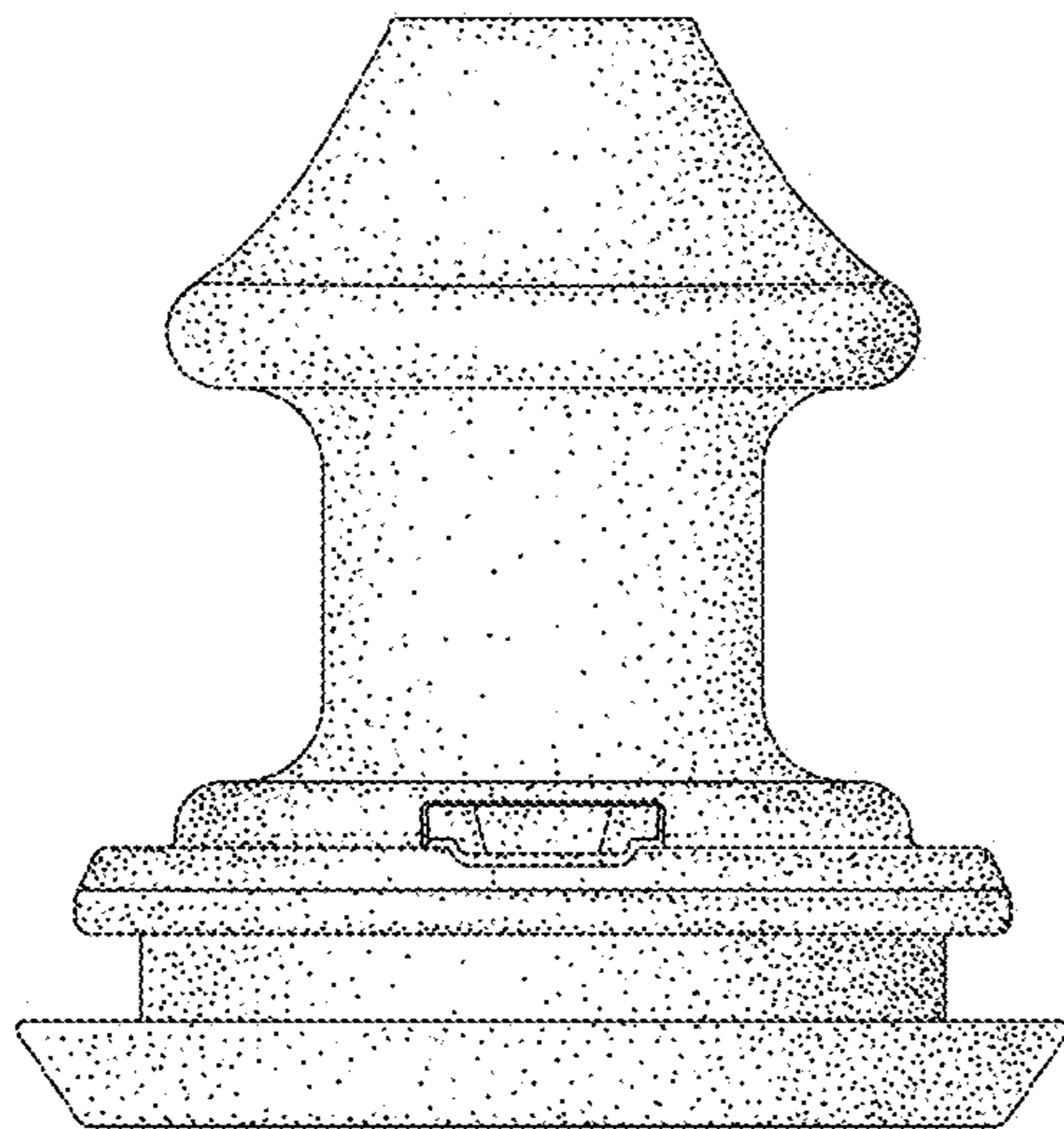


Fig. 8

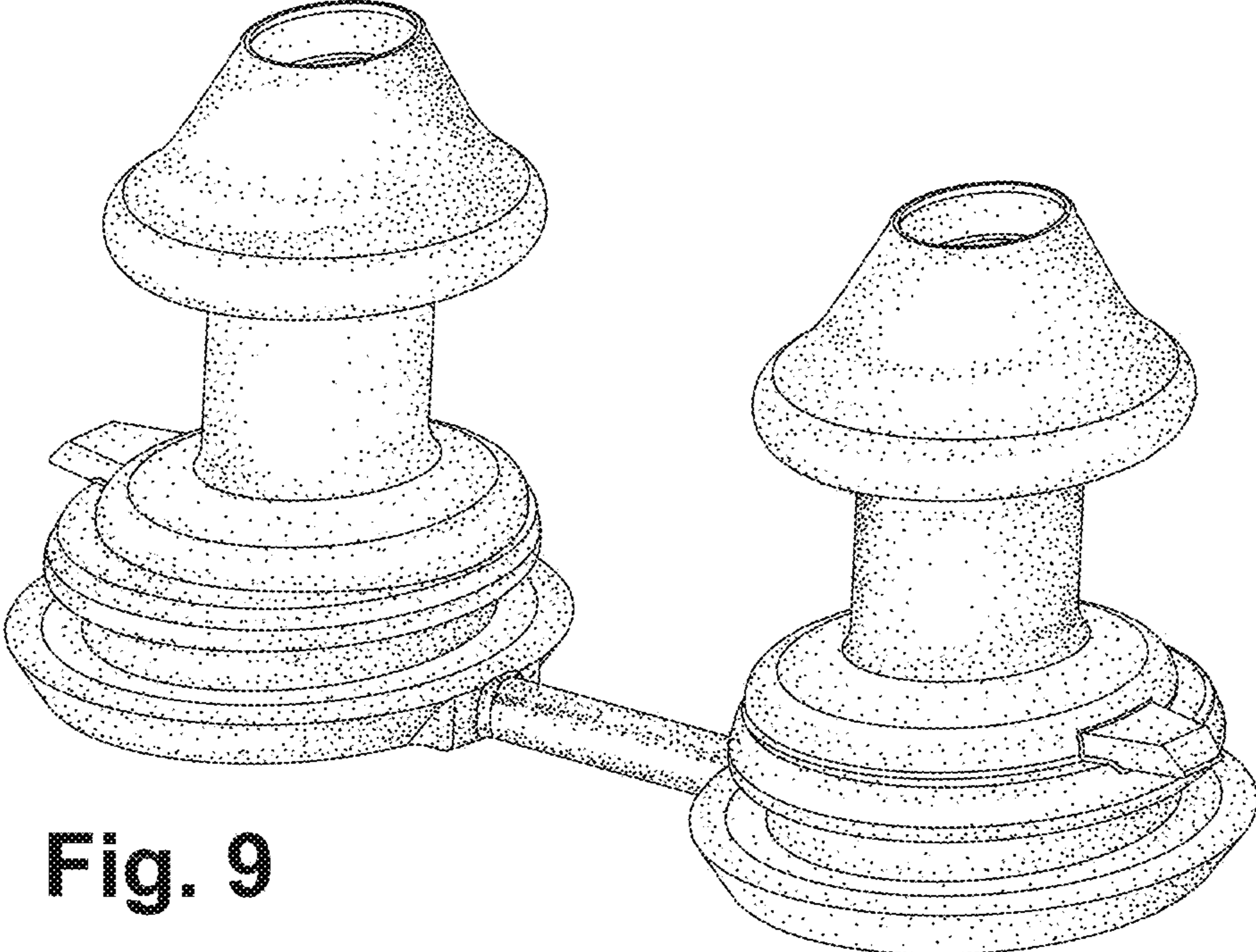


Fig. 9

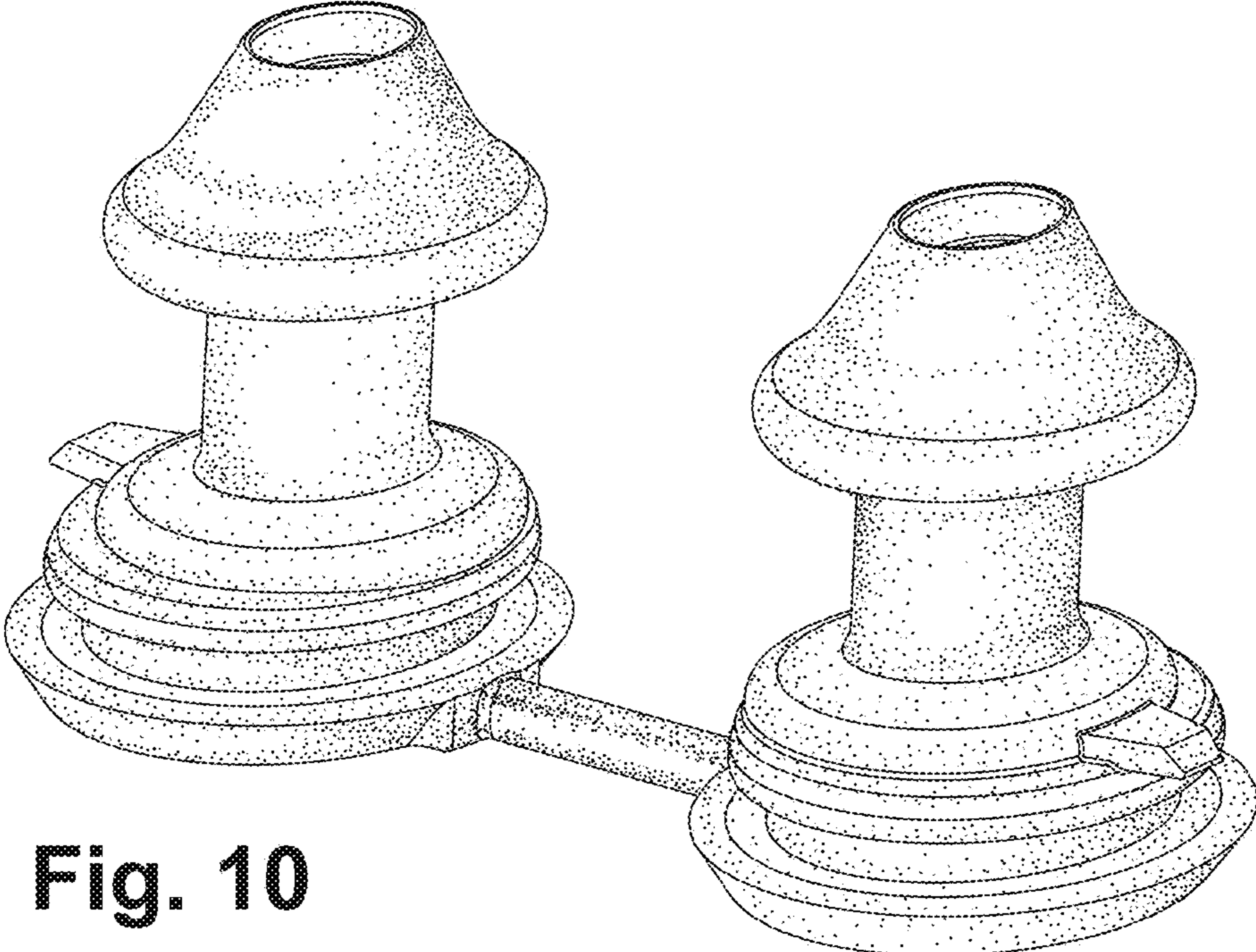


Fig. 10

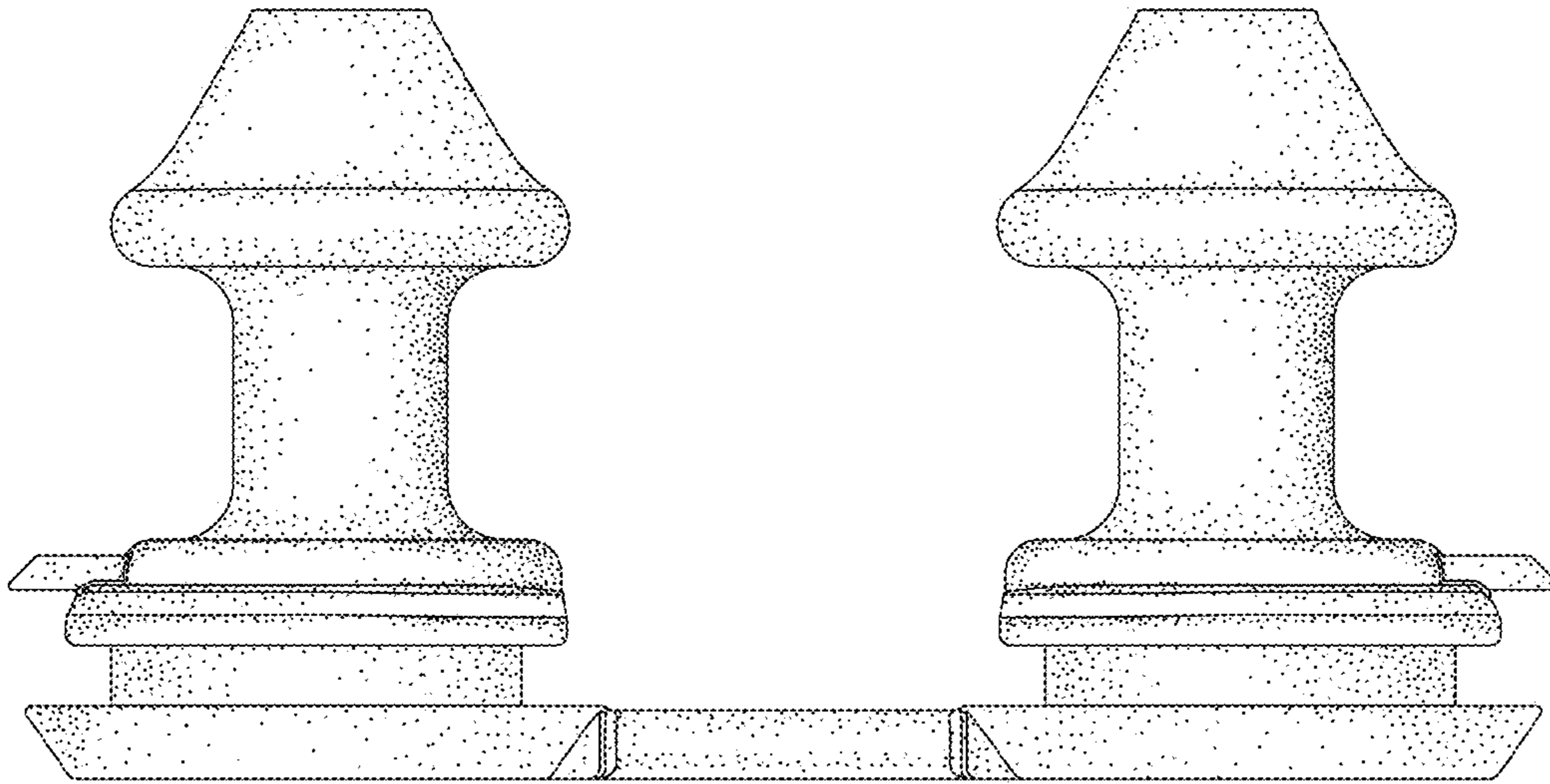


Fig. 11

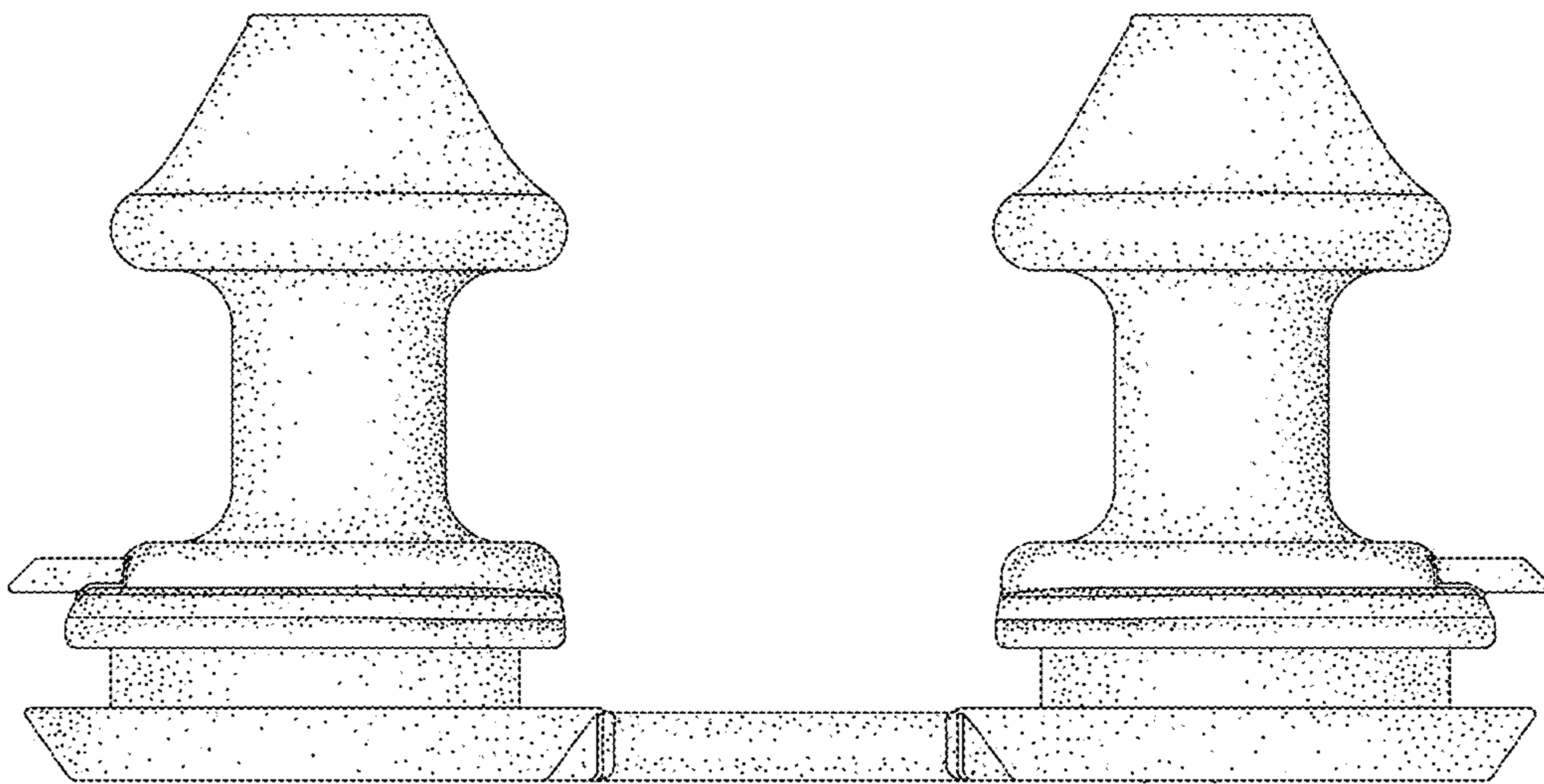


Fig. 12

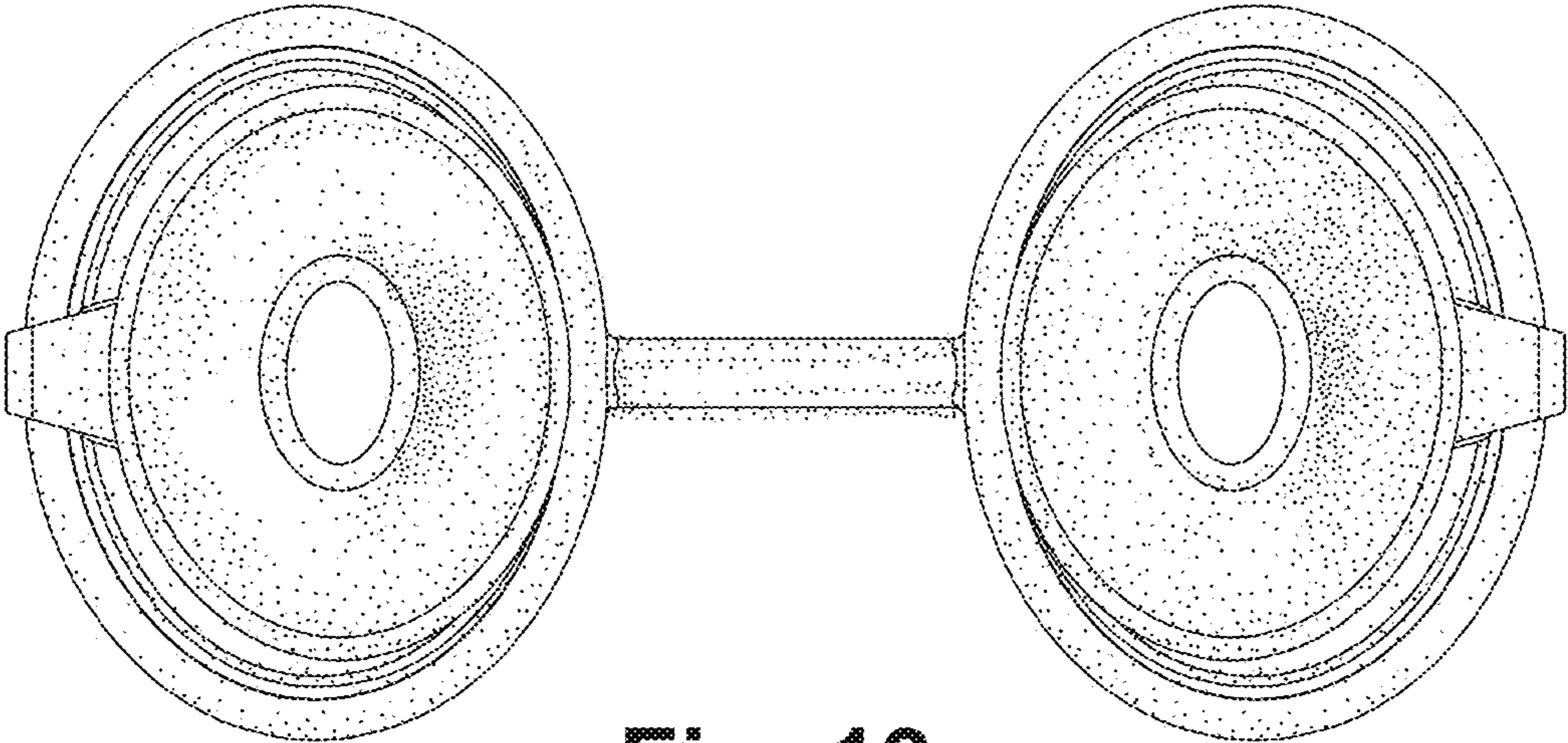


Fig. 13

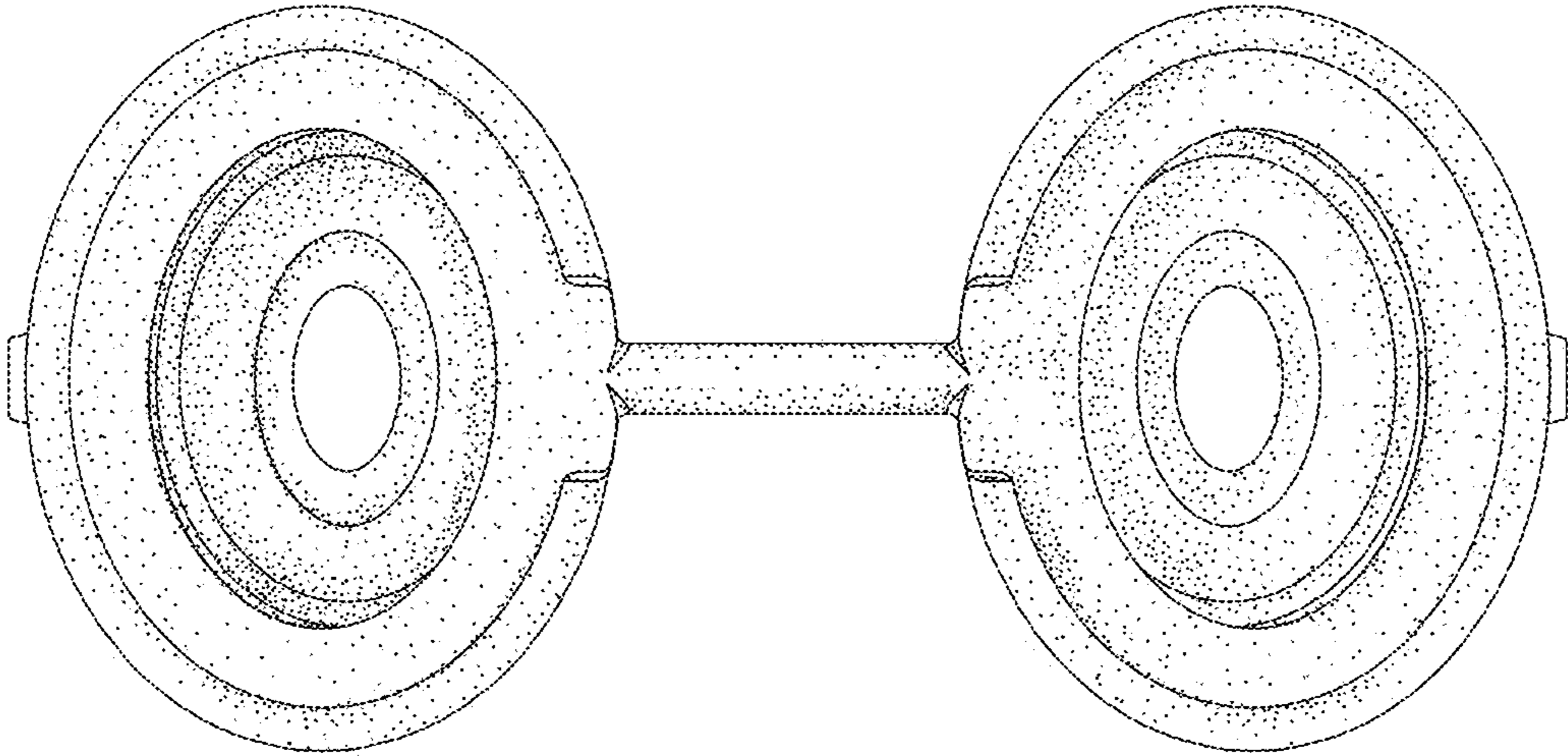


Fig. 14

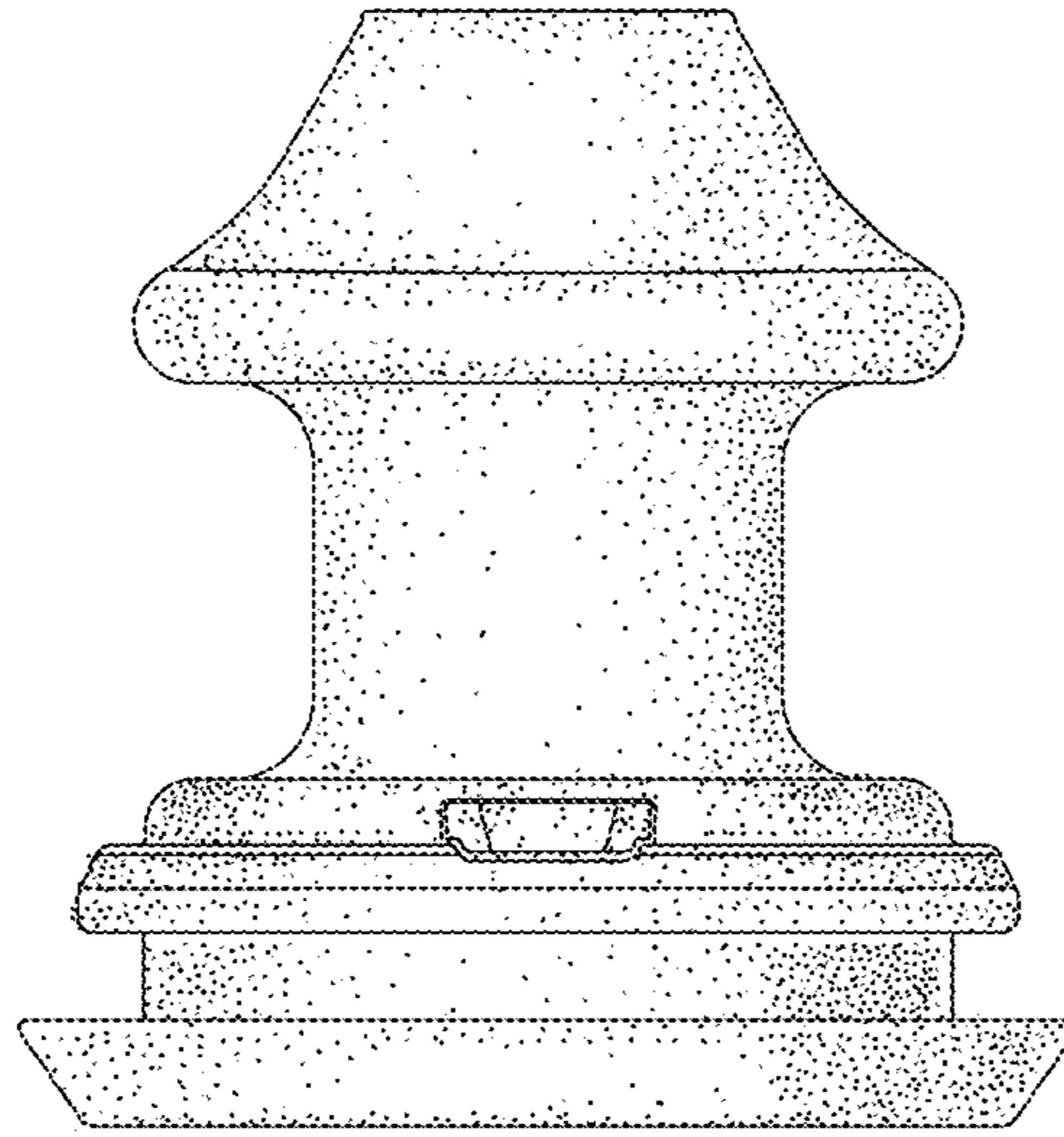


Fig. 15

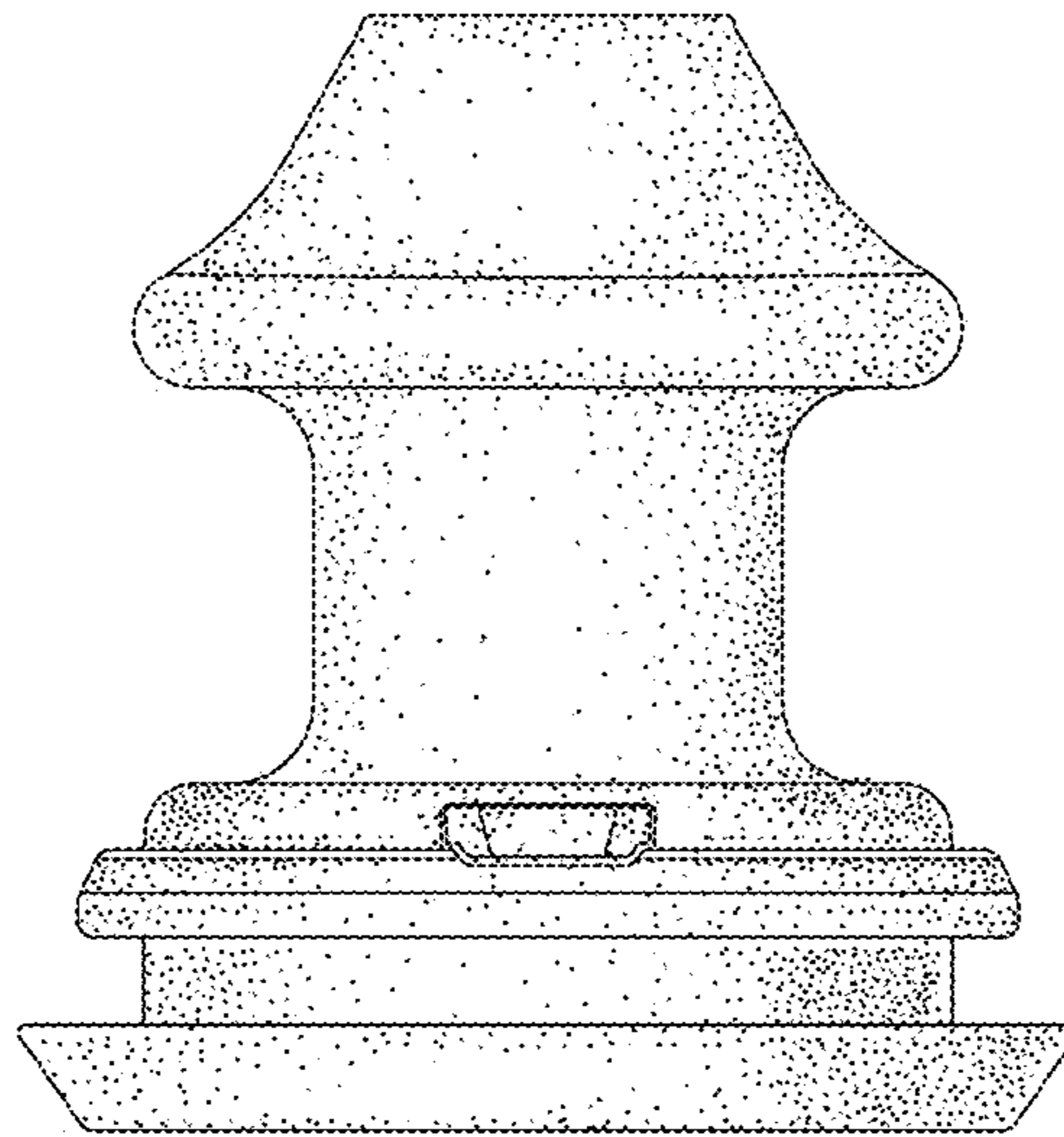


Fig. 16

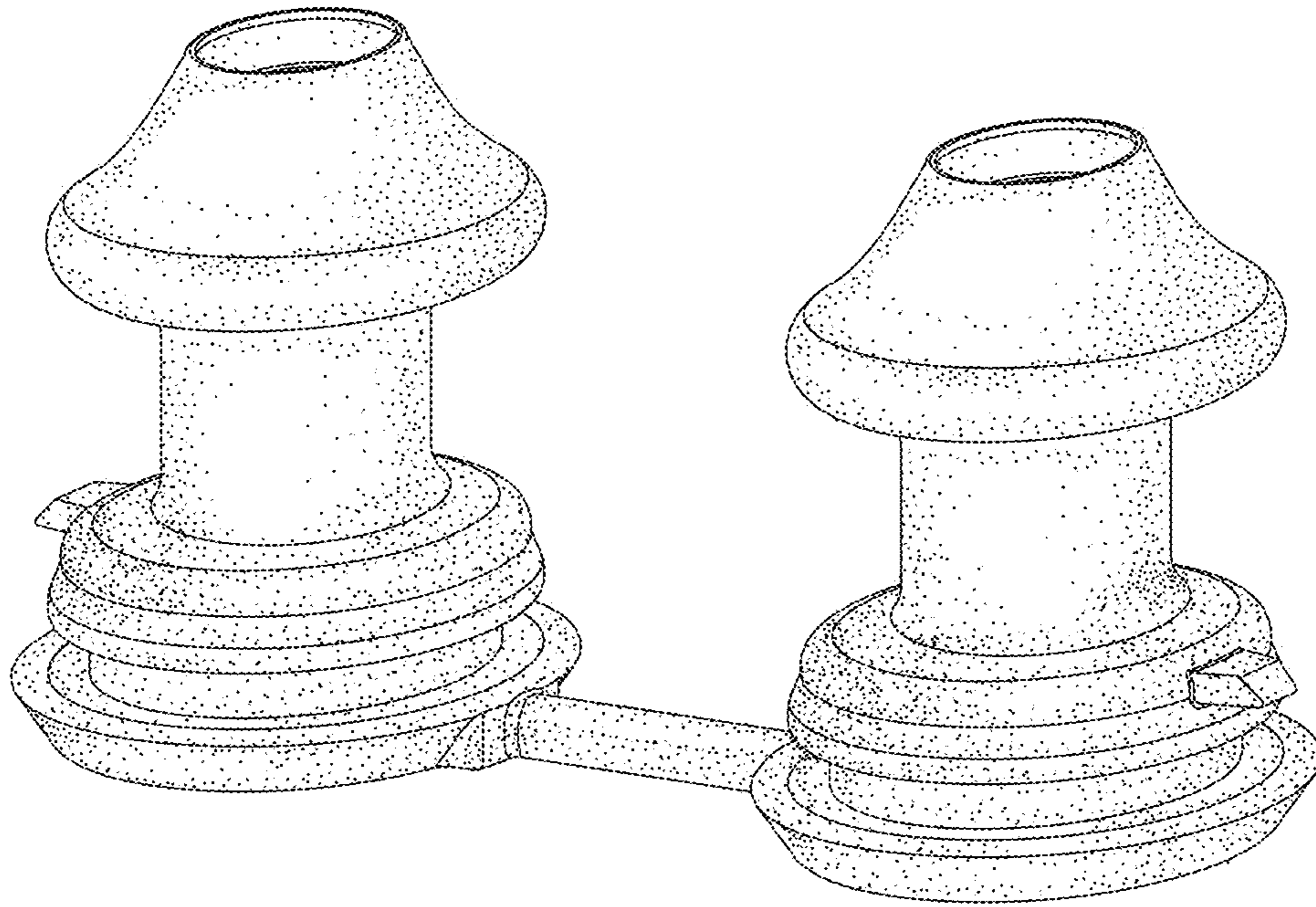


Fig. 17

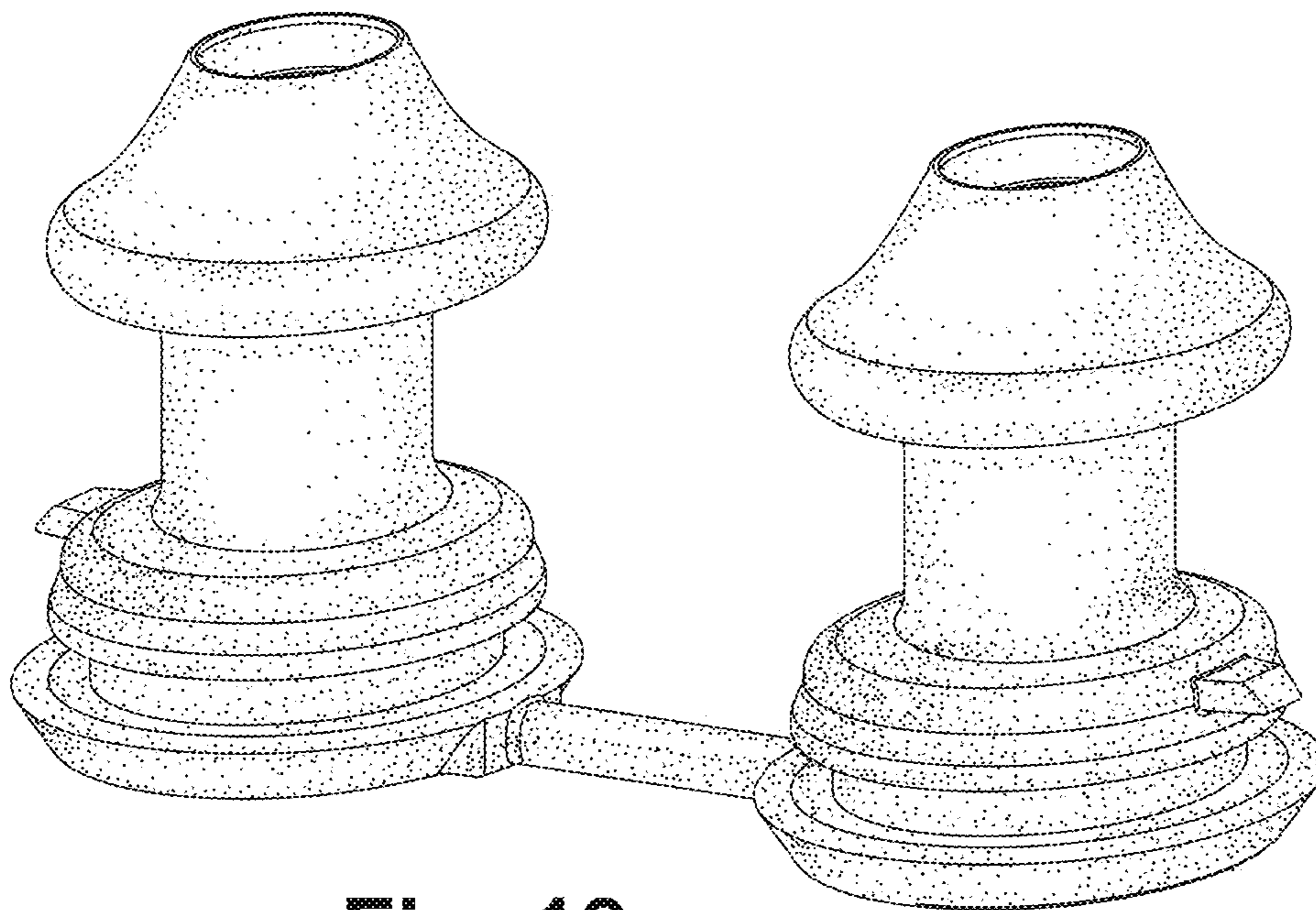


Fig. 18

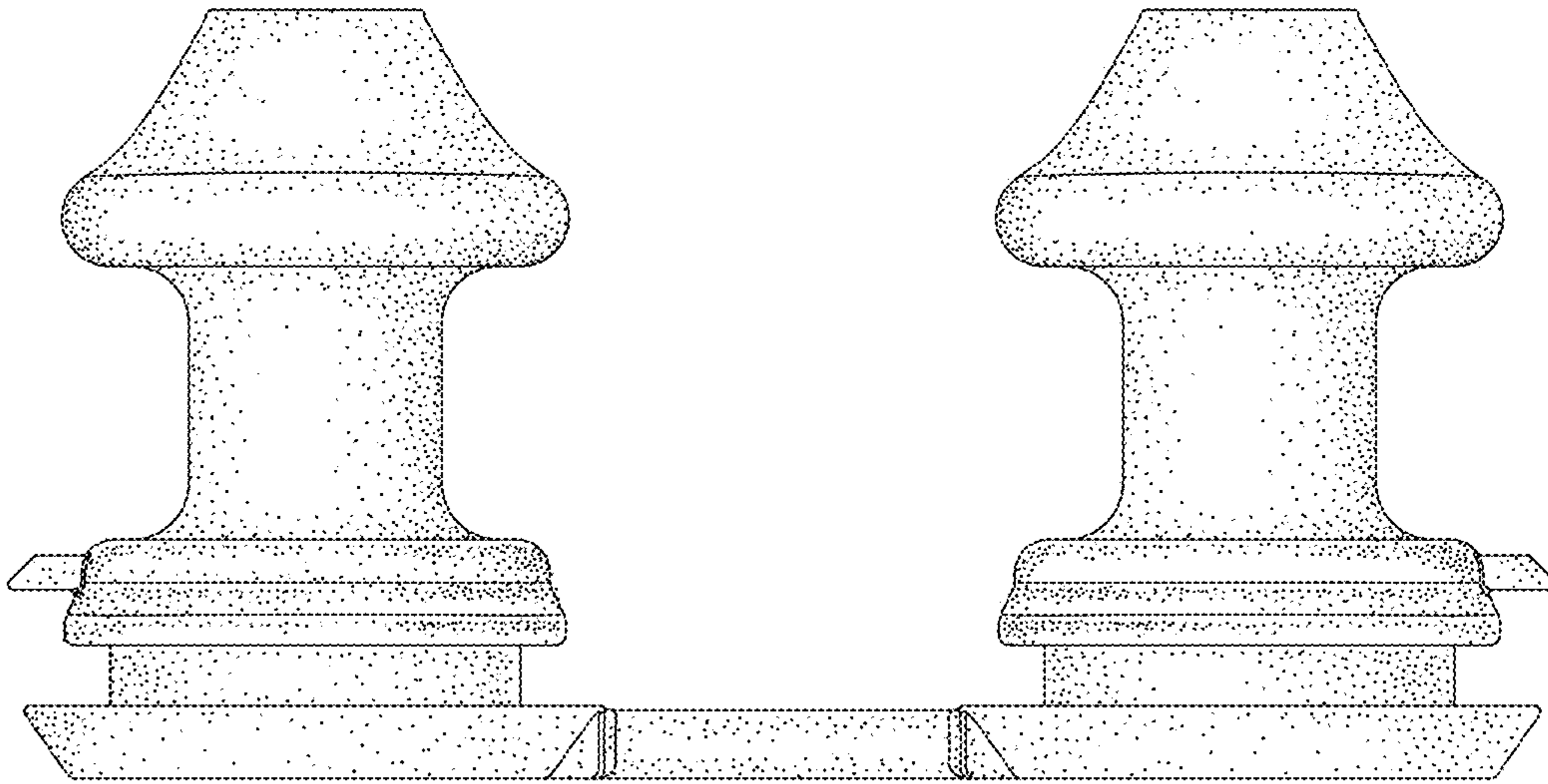


Fig. 19

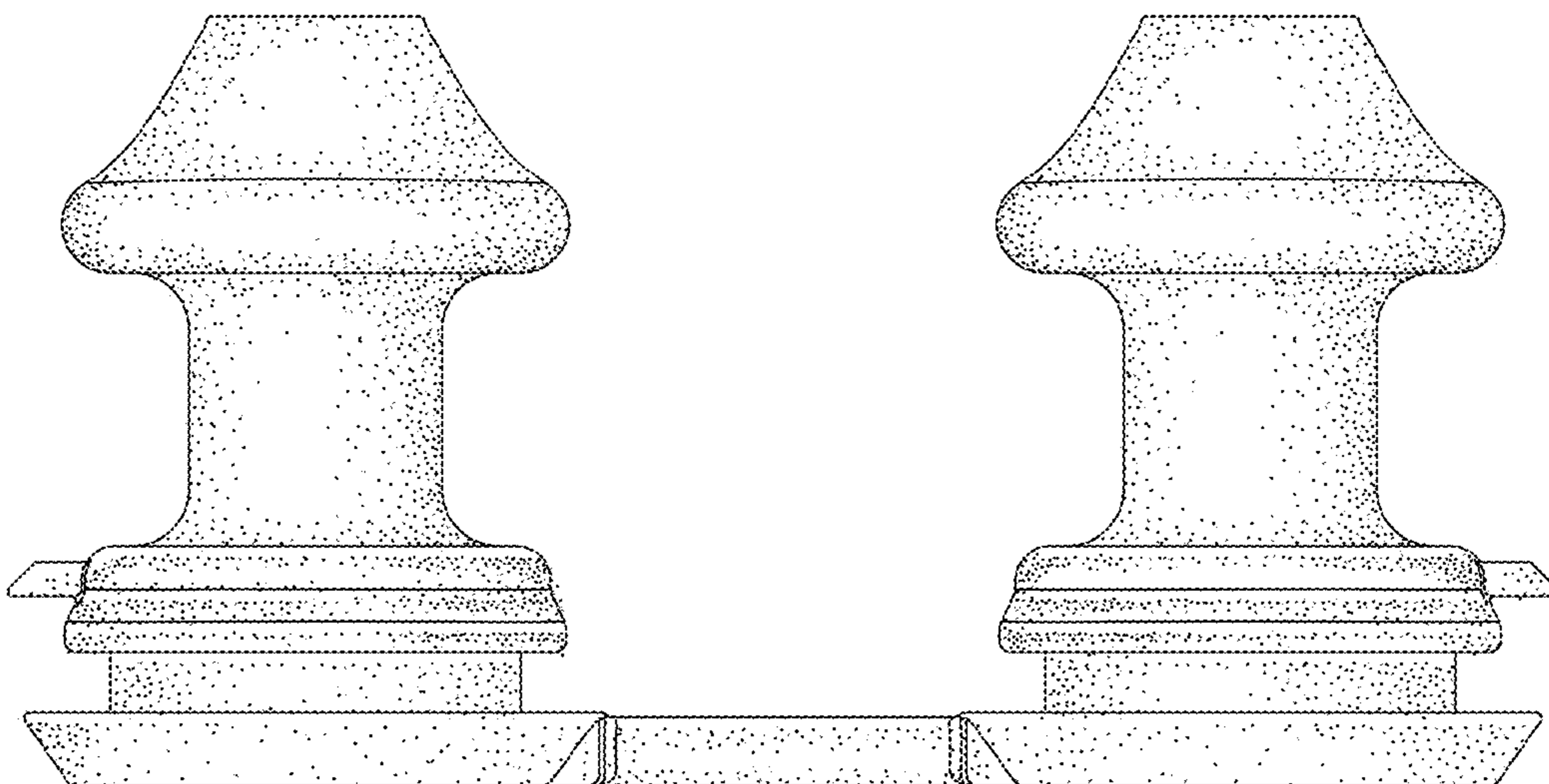


Fig. 20

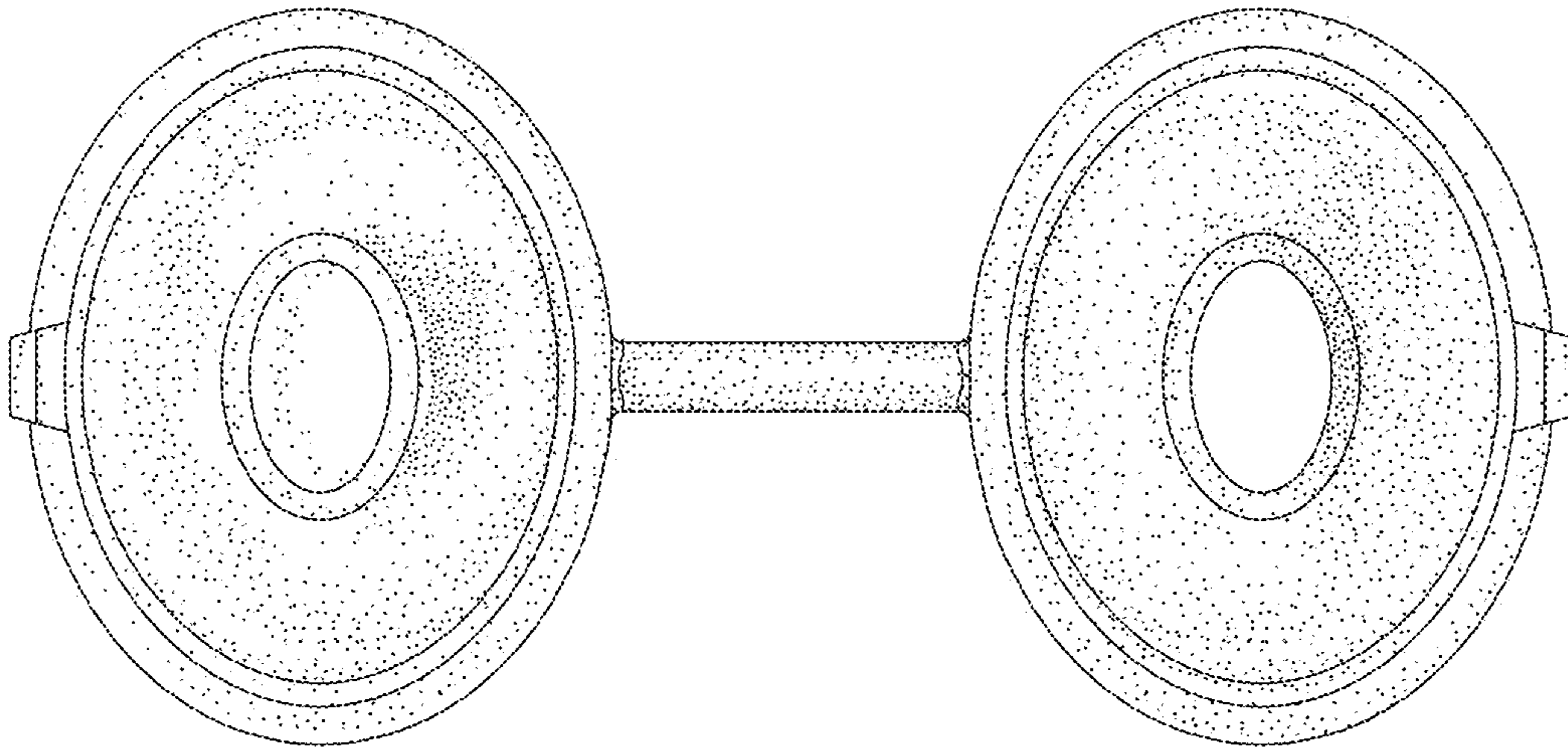


Fig. 21

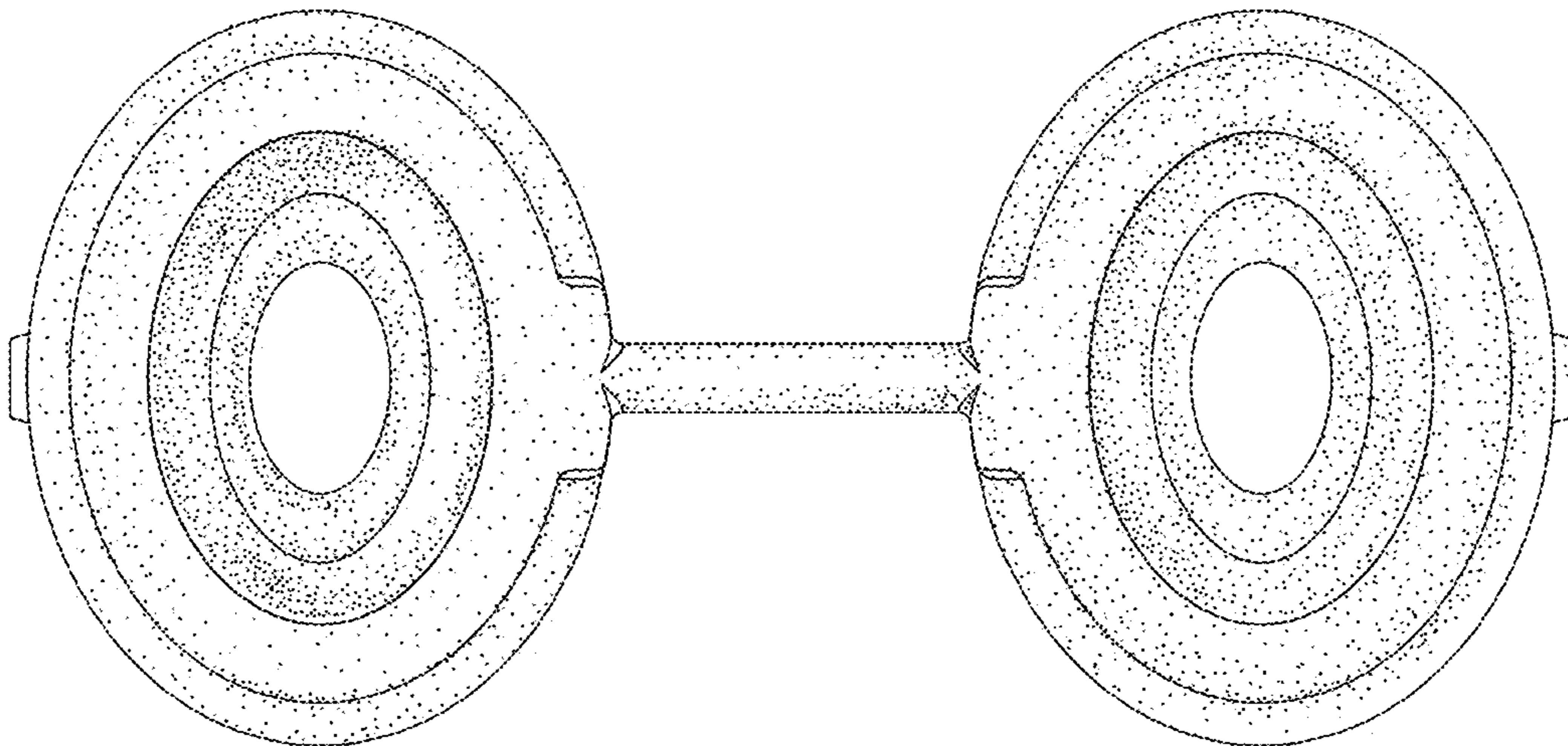


Fig. 22

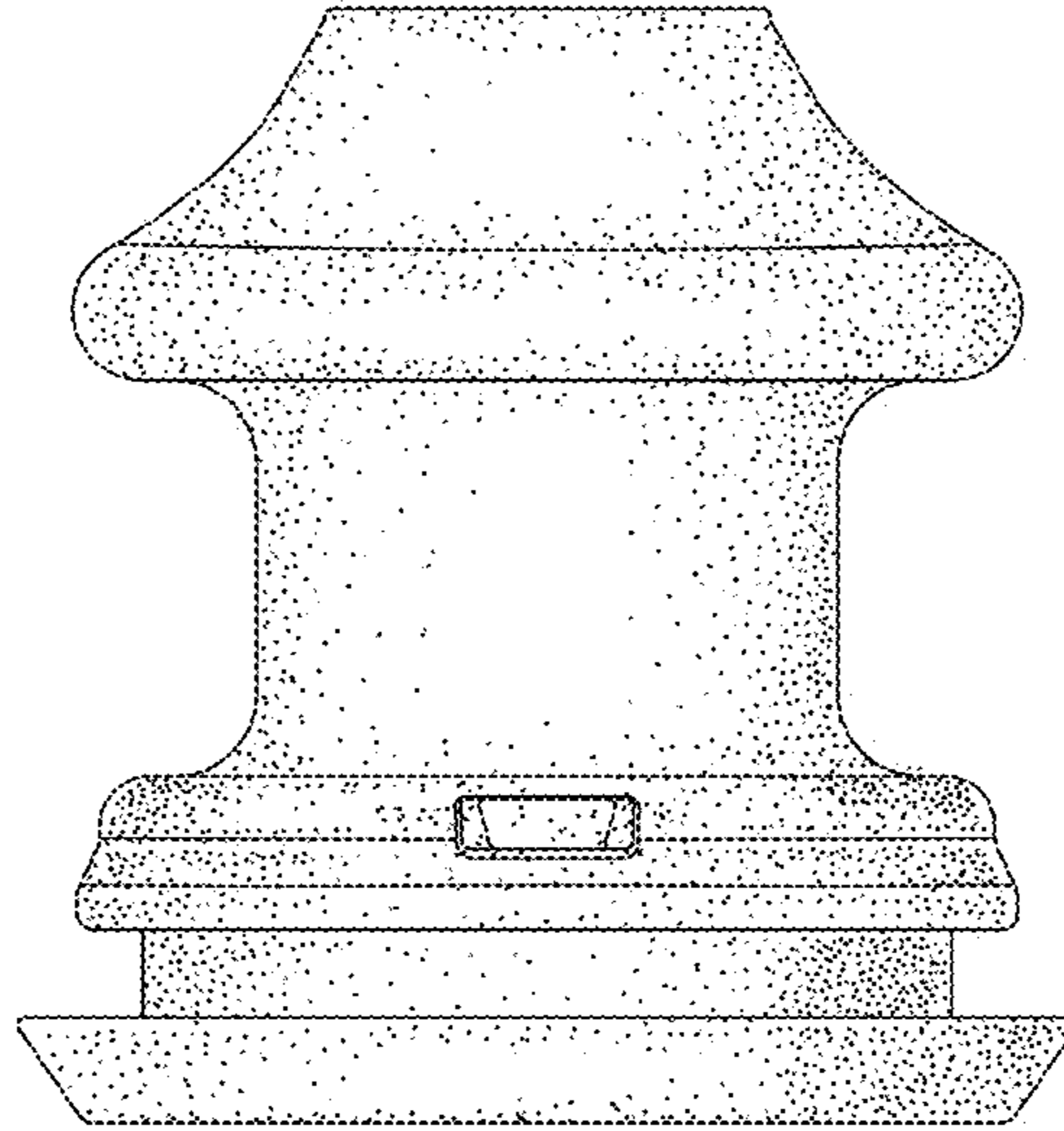


Fig. 23

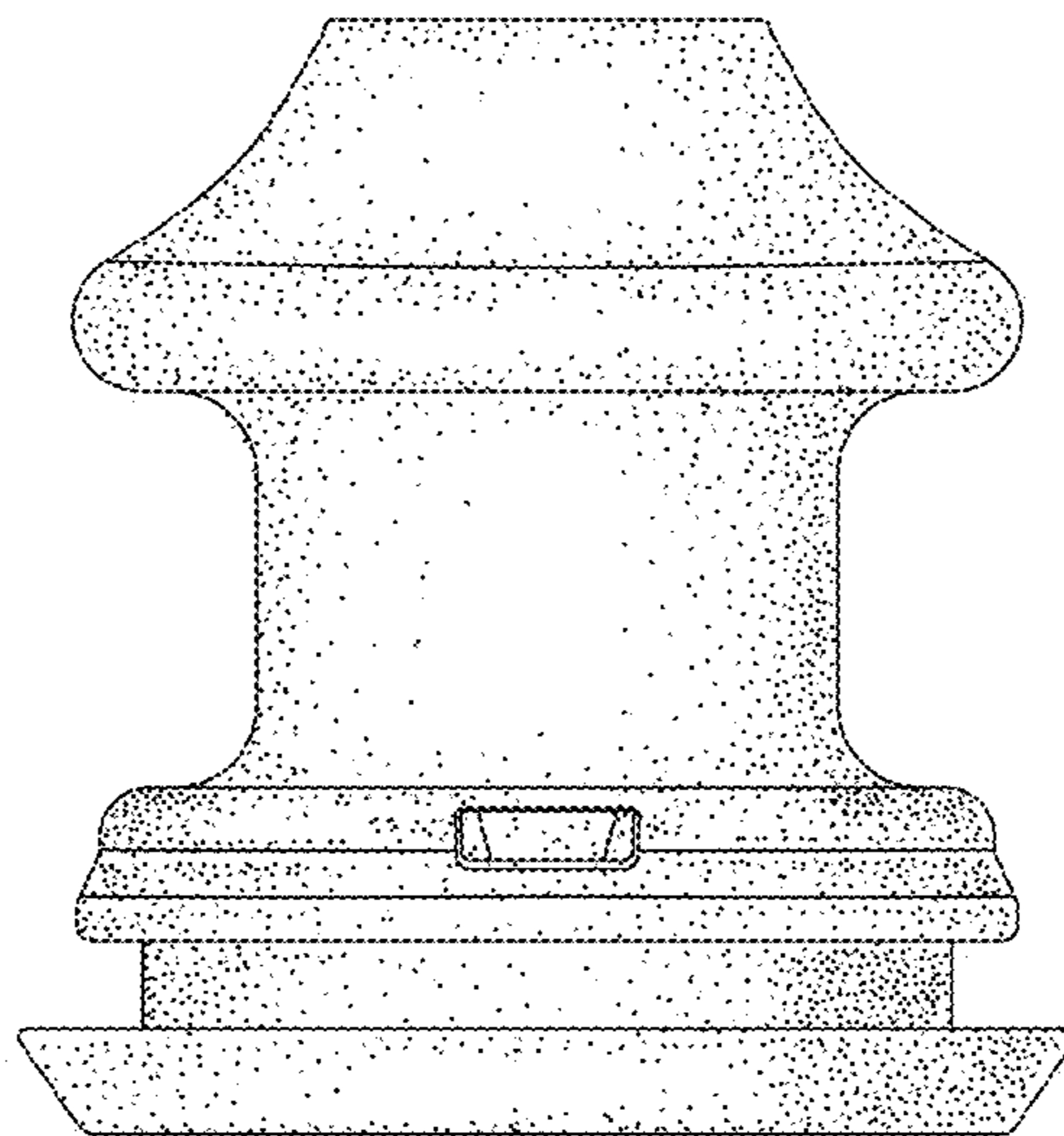


Fig. 24