



US00D878544S

(12) **United States Design Patent**
Stuart et al.

(10) **Patent No.:** **US D878,544 S**

(45) **Date of Patent:** **** *Mar. 17, 2020**

(54) **INHALER**

(71) Applicant: **3M INNOVATIVE PROPERTIES COMPANY**, St. Paul, MN (US)

(72) Inventors: **Adam J. Stuart**, Loughborough (GB);
Stephen J. Howgill, Leicester (GB);
Peter D. Hodson, Breaston (GB)

(73) Assignee: **3M Innovative Properties Company**,
Saint Paul, MN (US)

D769,436 S *	10/2016	Walsh	D24/110
D769,437 S *	10/2016	Walsh	D24/110
D782,651 S *	3/2017	Milton-Edwards	D24/110
D783,147 S *	4/2017	Fosbury	D24/110
D783,148 S *	4/2017	Fosbury	D24/110
D783,150 S *	4/2017	Cottam	D24/110
D783,151 S *	4/2017	Cottam	D24/110
D783,152 S *	4/2017	Fosbury	D24/110
D783,153 S *	4/2017	Cottam	D24/110
D783,154 S *	4/2017	Fosbury	D24/110
D783,155 S *	4/2017	Fosbury	D24/110
D783,156 S *	4/2017	Milton-Edwards	D24/110

(Continued)

(*) Notice: This patent is subject to a terminal disclaimer.

Primary Examiner — Sheryl Lane

Assistant Examiner — Aula Soroush

(**) Term: **15 Years**

(74) *Attorney, Agent, or Firm* — 3M Innovative Properties Company

(21) Appl. No.: **29/626,918**

(22) Filed: **Nov. 21, 2017**

(30) **Foreign Application Priority Data**

May 31, 2017 (EM) 001458913

(51) **LOC (12) Cl.** **29-02**

(52) **U.S. Cl.**
USPC **D24/110**

(58) **Field of Classification Search**
USPC D24/107, 108, 110, 110.1–110.5, 127,
D24/164; D29/108; 128/200.14, 200.23
CPC A61M 15/0085; A61M 15/0005; A61M
11/005; A61M 11/00; A61M 11/02;
A61M 11/04; A61M 5/087; A61M
5/0871; A61M 5/091; A61M 5/097;
A61M 15/00; A61M 15/0065; A61M
15/0091; A61M 15/0021; A61M 15/0026;
A61M 15/008; A61M 15/007; A63B
23/18

See application file for complete search history.

(56) **References Cited**

U.S. PATENT DOCUMENTS

D660,410 S * 5/2012 Zuyderhoudt D24/110
D660,411 S * 5/2012 Zuyderhoudt D24/110

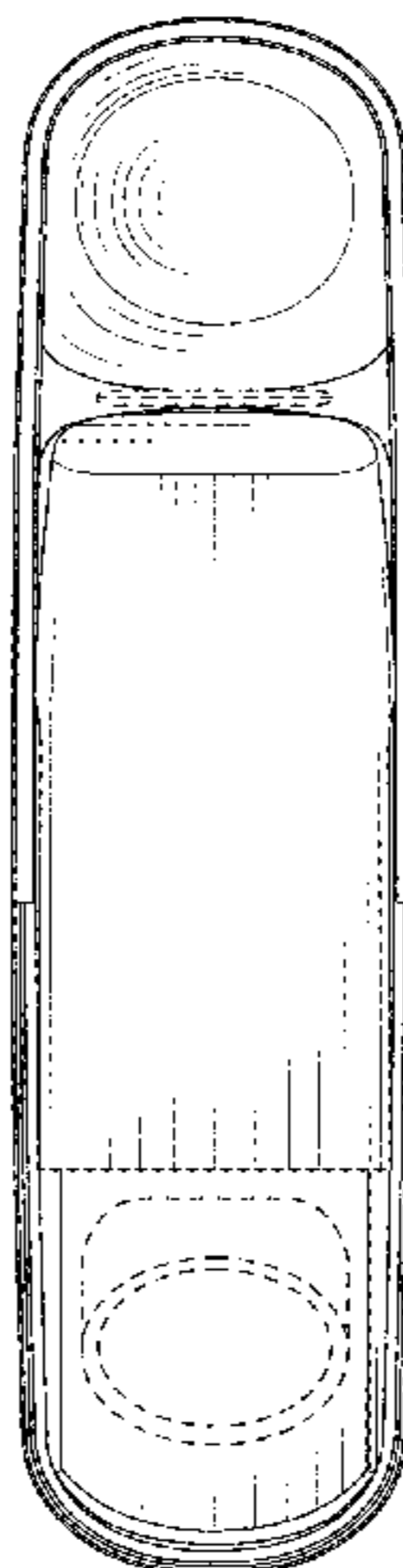
(57) **CLAIM**

The ornamental design for a design for inhaler, substantially as shown and described.

DESCRIPTION

FIG. 1 is a front elevational view depicting an inhaler of our design in a first configuration;
FIG. 2 is a rear elevational view thereof;
FIG. 3 is a left side elevational view thereof;
FIG. 4 is a right side elevational view thereof;
FIG. 5 is a top plan view thereof;
FIG. 6 is a bottom plan view thereof;
FIG. 7 is a front elevational view depicting an inhaler of our design in a second configuration;
FIG. 8 is a rear elevational view thereof;
FIG. 9 is a left side elevational view thereof;
FIG. 10 is right side elevational view thereof;
FIG. 11 is a top plan view thereof; and,
FIG. 12 is a bottom plan view thereof.
The broken lines in the drawings illustrate portions of the inhaler that form no part of the claimed design.

1 Claim, 6 Drawing Sheets



(56)

References Cited

U.S. PATENT DOCUMENTS

D783,157 S *	4/2017	Milton-Edwards	D24/110
D783,158 S *	4/2017	Milton-Edwards	D24/110
D783,159 S *	4/2017	Fosbury	D24/110
D783,804 S *	4/2017	Fosbury	D24/110
D783,805 S *	4/2017	Milton-Edwards	D24/110
D783,806 S *	4/2017	Milton-Edwards	D24/110
D783,807 S *	4/2017	Fosbury	D24/110

* cited by examiner

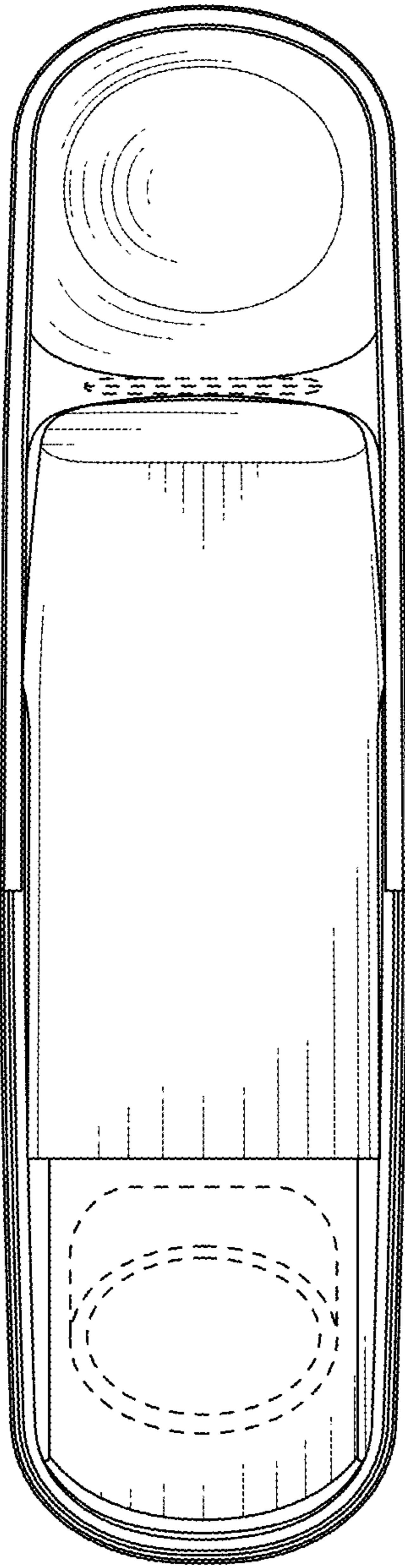


FIG. 1

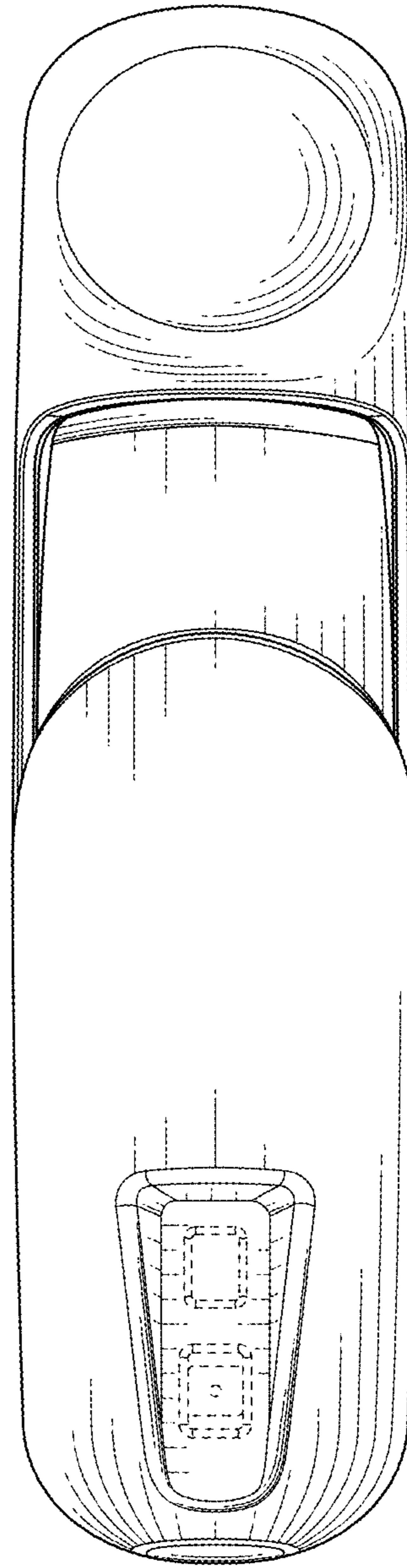


FIG. 2

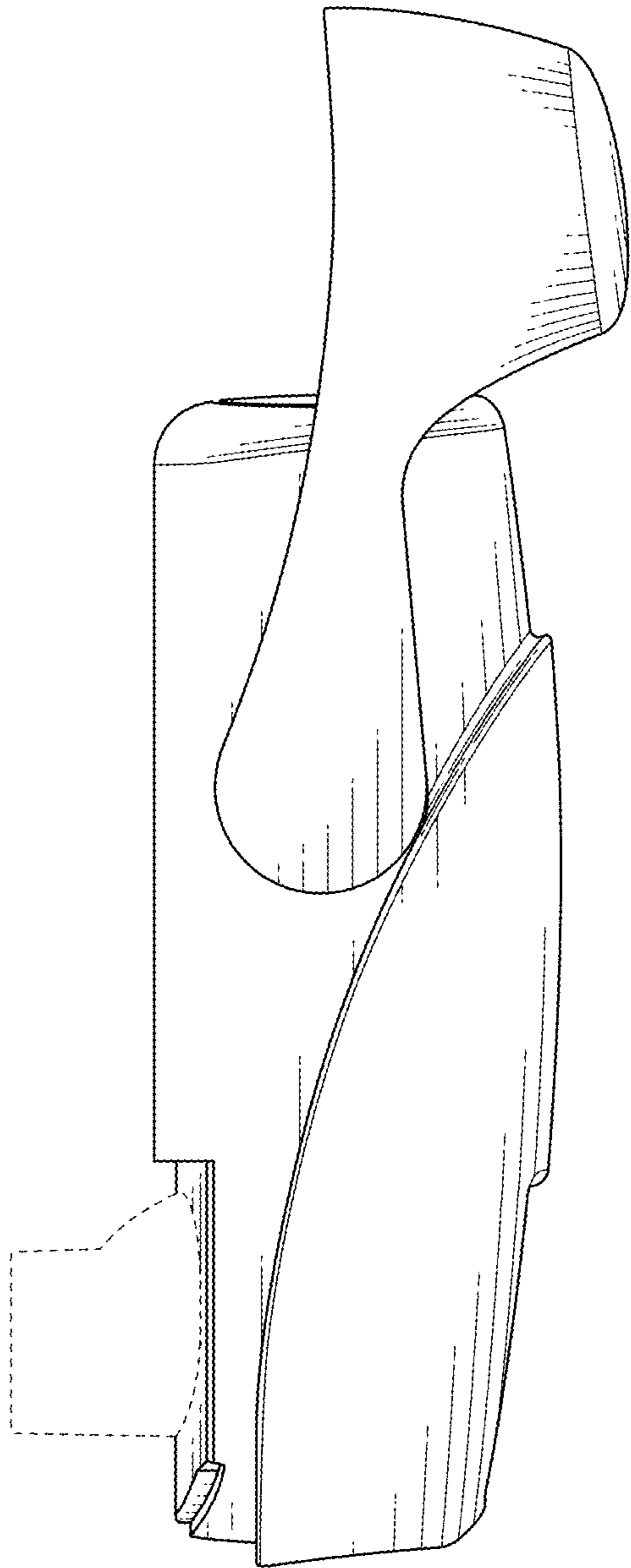


FIG. 3

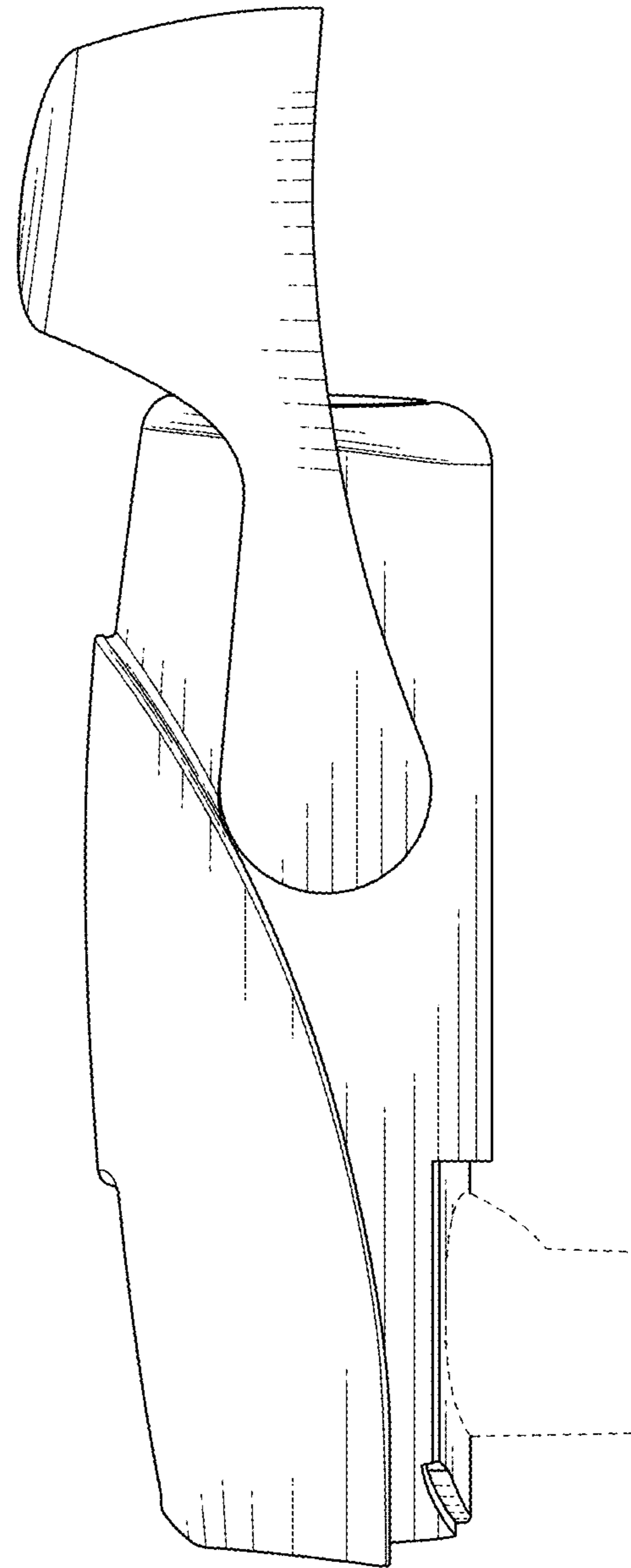


FIG. 4

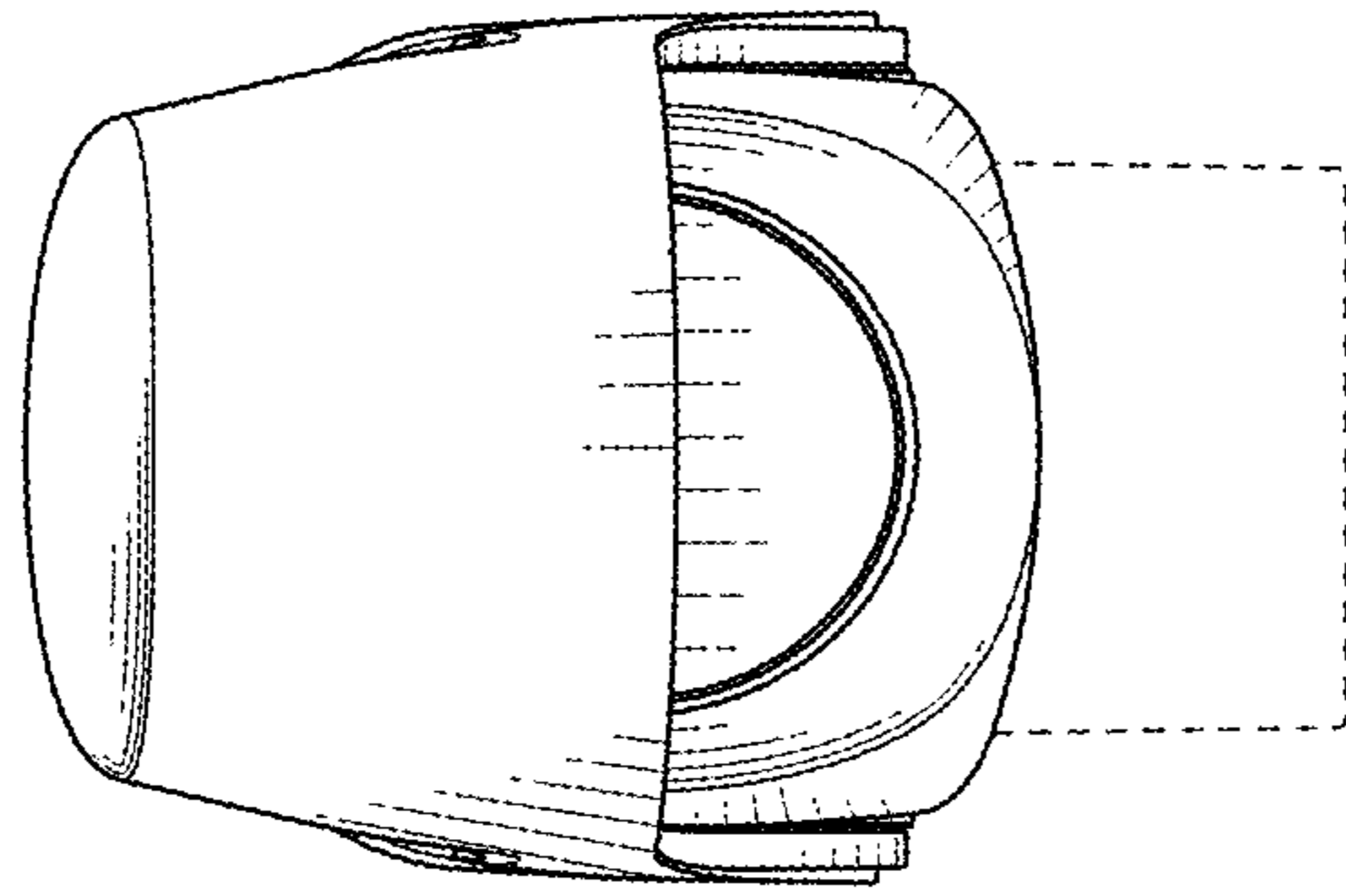


FIG. 5

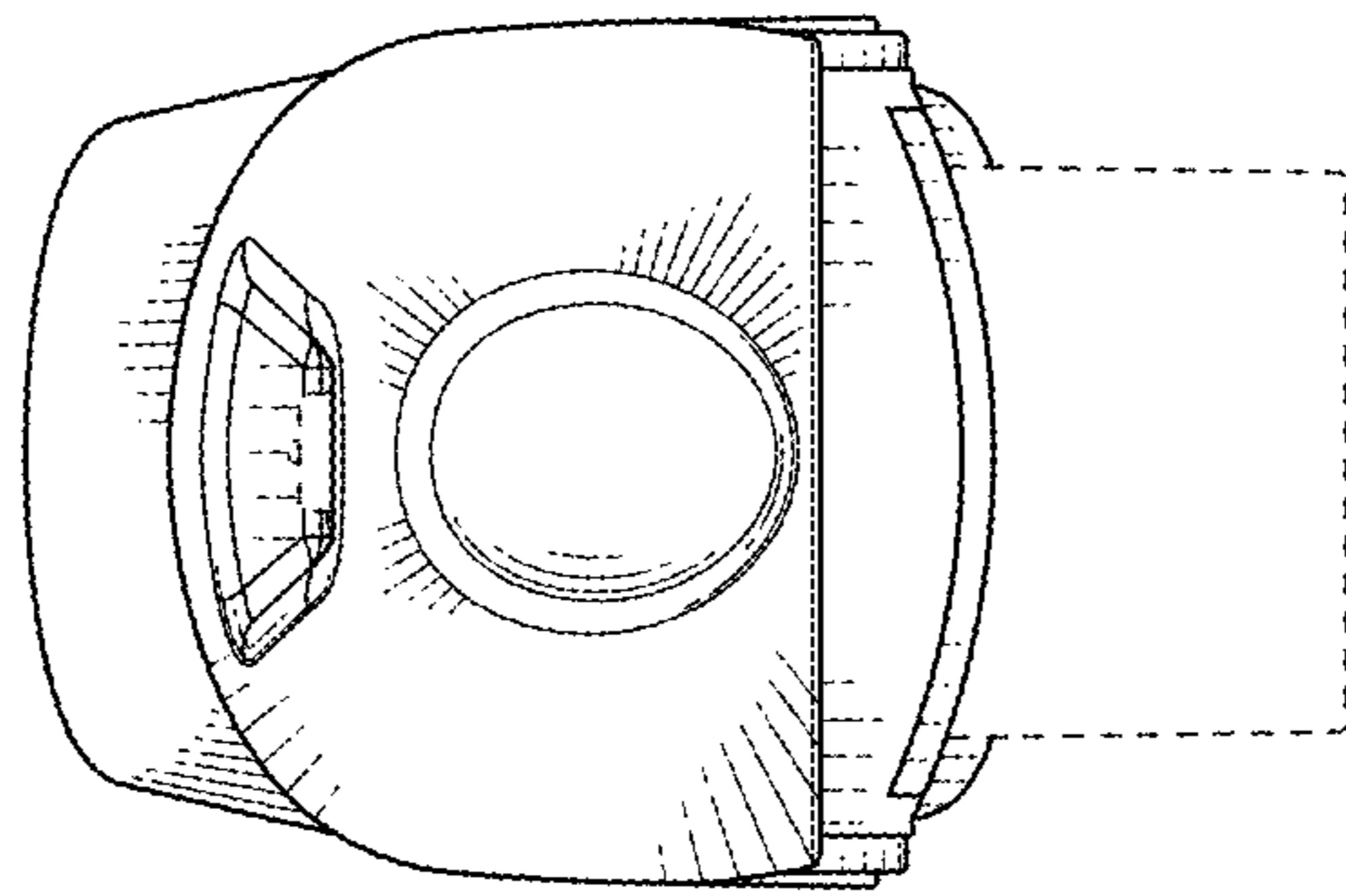


FIG. 6

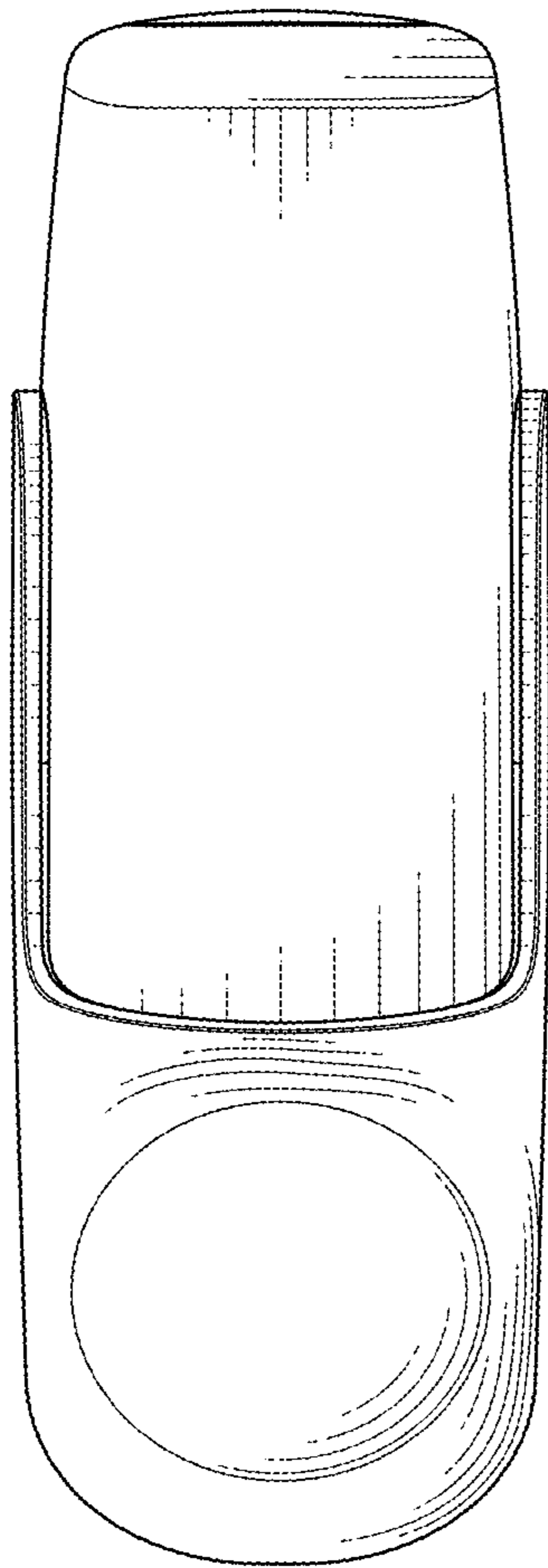


FIG. 7

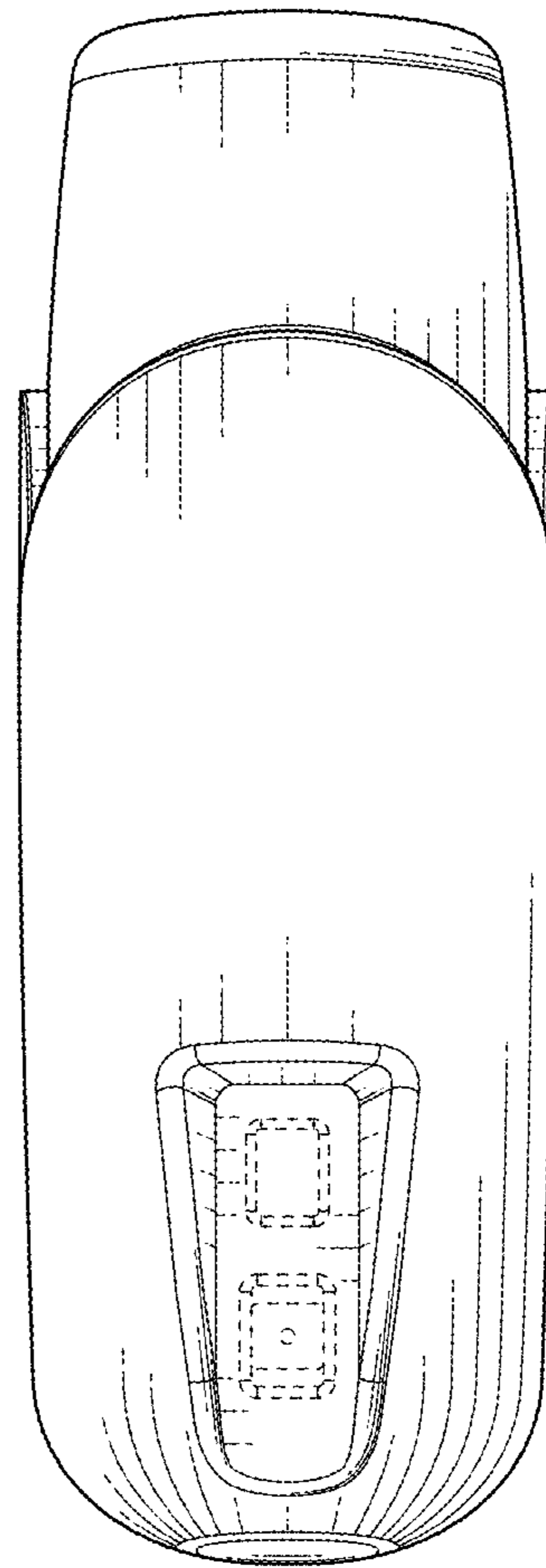


FIG. 8

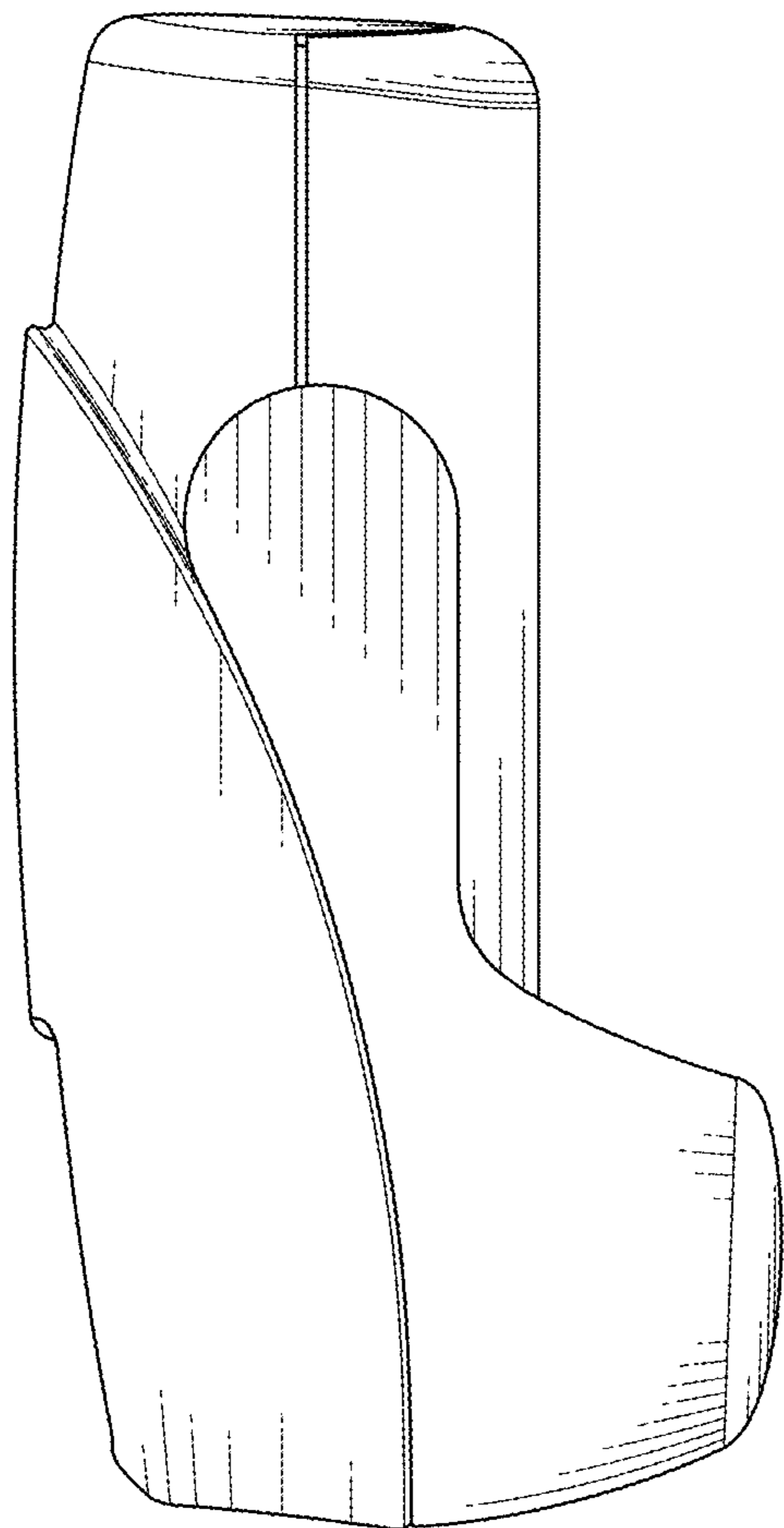


FIG. 9

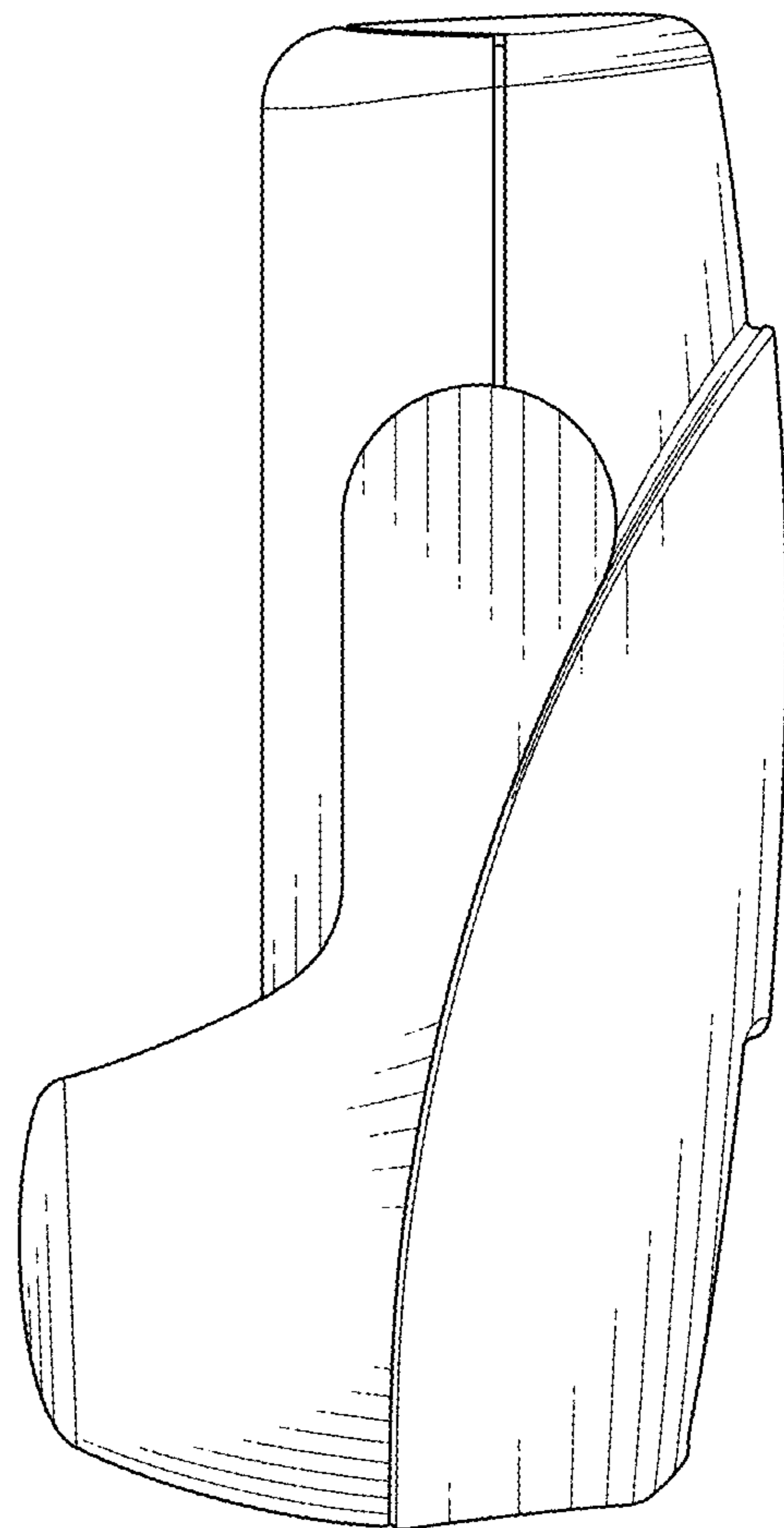


FIG. 10

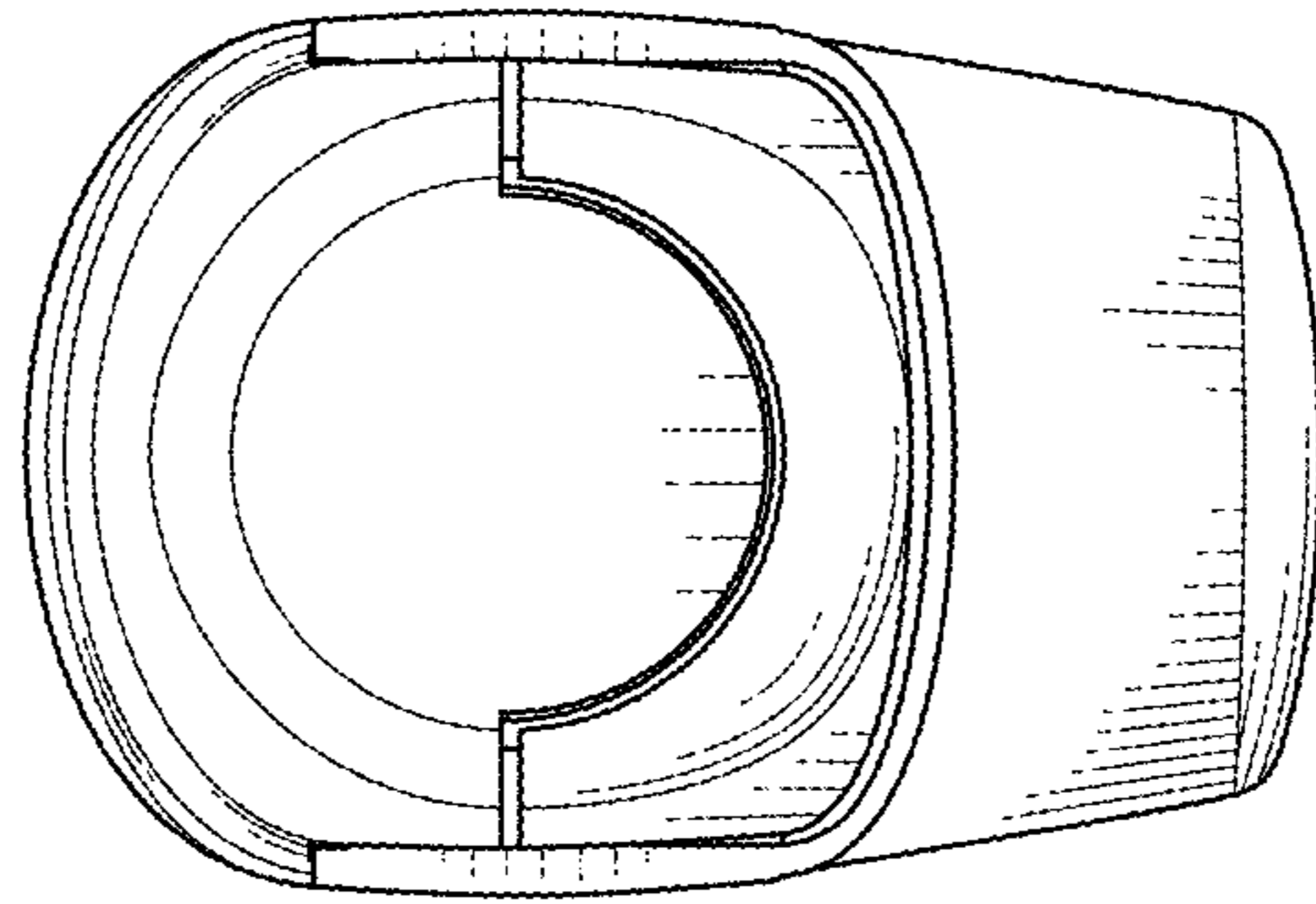


FIG. 11

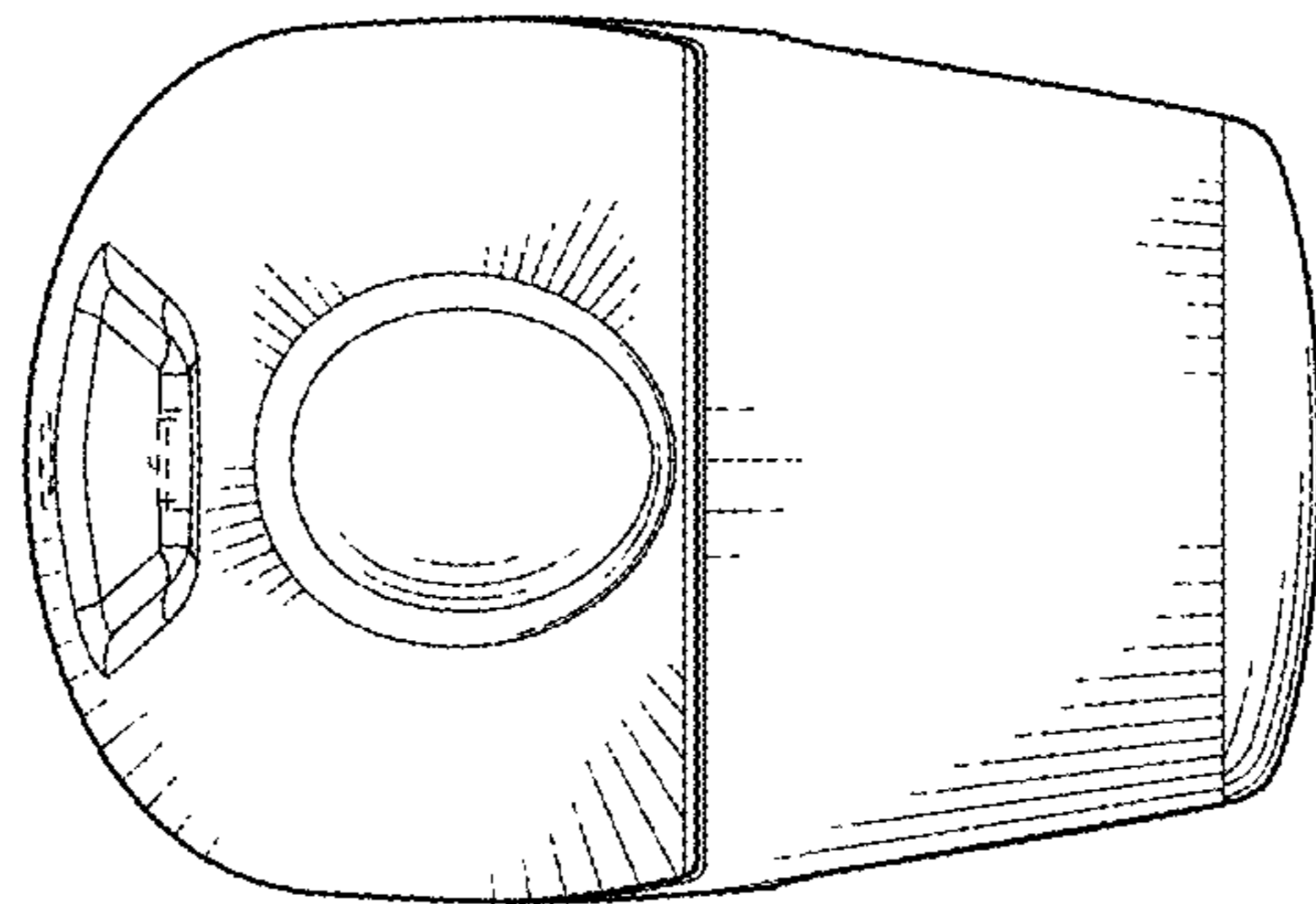


FIG. 12