



US00D878543S

(12) **United States Design Patent** (10) **Patent No.:** **US D878,543 S**
Green (45) **Date of Patent:** **** Mar. 17, 2020**

(54) **VENT COVER**

(71) Applicant: **FFCRES, LLC**, Huntsville, AL (US)

(72) Inventor: **Verrick Green**, Huntsville, AL (US)

(**) Term: **15 Years**

(21) Appl. No.: **29/627,561**

(22) Filed: **Nov. 28, 2017**

Related U.S. Application Data

(62) Division of application No. 29/529,148, filed on Jun. 4, 2015, now Pat. No. Des. 804,643.

(51) **LOC (12) Cl.** **23-03**

(52) **U.S. Cl.**
USPC **D23/393**

(58) **Field of Classification Search**
USPC D23/260, 393; D25/199
CPC E04D 13/14
See application file for complete search history.

(56) **References Cited**

U.S. PATENT DOCUMENTS

- 1,103,666 A * 7/1914 Fife E04D 13/1476
285/13
- 1,678,715 A * 7/1928 Stephenson E04D 13/1476
285/44
- 1,693,410 A * 11/1928 Stephenson E04D 13/1471
285/44

(Continued)

OTHER PUBLICATIONS

Vent Cover for Refrigerator, image post date 1980, site visited Mar. 3, 2017, (online), <<http://www.gowesty.com/product-details.php?id=2452>>.

(Continued)

Primary Examiner — Kevin K Rudzinski

(74) *Attorney, Agent, or Firm* — Bradley Arant Boult Cummings LLP; Frank M. Caprio; Timothy L. Capria

(57) **CLAIM**

I claim the ornamental design for a vent cover, as shown and described.

DESCRIPTION

FIG. 1 is a left perspective view of the first embodiment of the vent cover.

FIG. 2 is a right perspective view of the first embodiment of the vent cover.

FIG. 3 is a left side view of the first embodiment of the vent cover.

FIG. 4 is a right side view of the first embodiment of the vent cover.

FIG. 5 is front view of the first embodiment of the vent cover.

FIG. 6 is a rear view of the first embodiment of the vent cover.

FIG. 7 is a top view of the first embodiment of the vent cover.

FIG. 8 is a bottom view of the first embodiment of the vent cover.

FIG. 9 is a left perspective view of the second embodiment of the vent cover.

FIG. 10 is a right perspective view of the second embodiment of the vent cover.

FIG. 11 is a left side view of the second embodiment of the vent cover.

FIG. 12 is a right side view of the second embodiment of the vent cover.

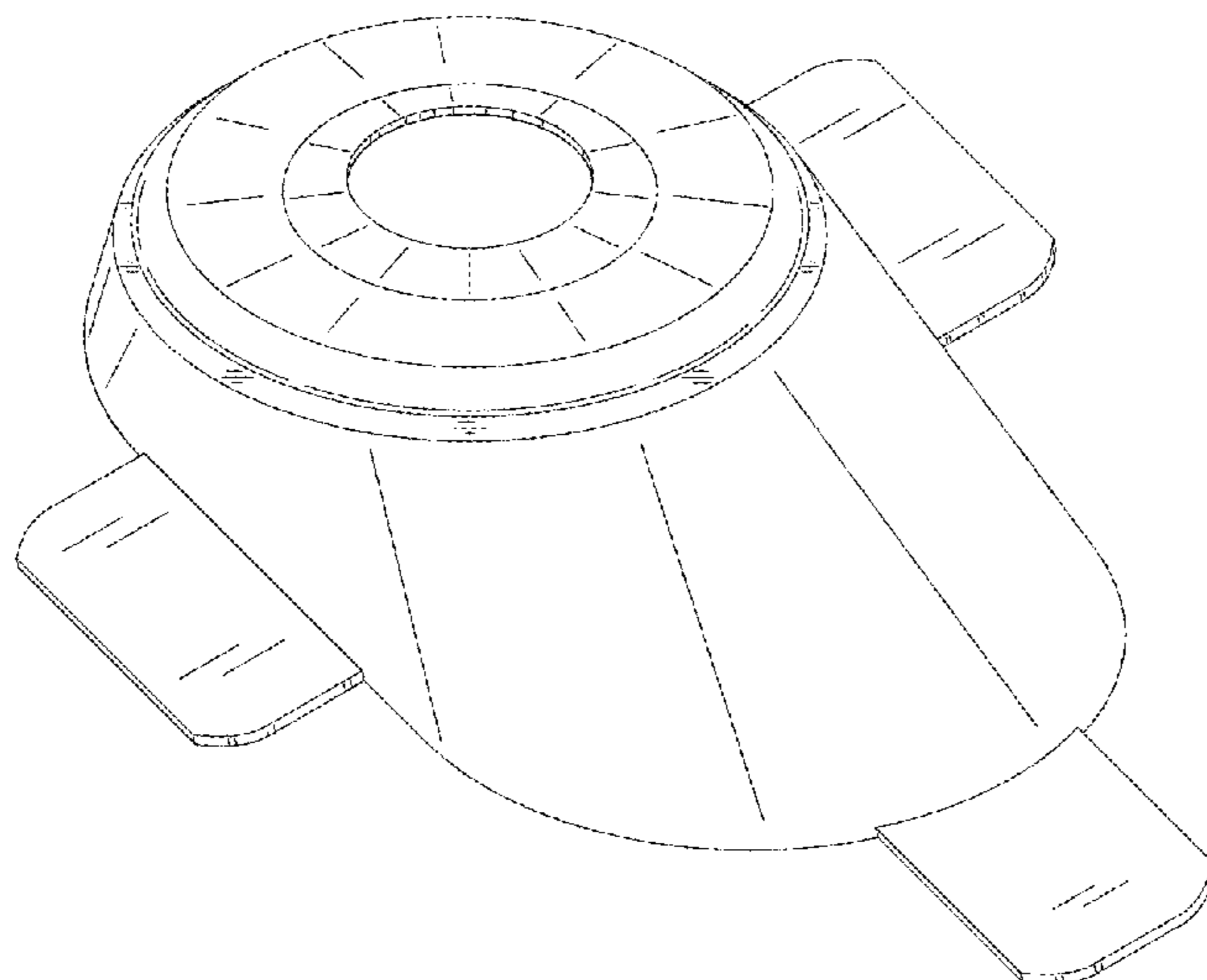
FIG. 13 is front view of the second embodiment of the vent cover.

FIG. 14 is a rear view of the second embodiment of the vent cover.

FIG. 15 is a top view of the second embodiment of the vent cover; and,

FIG. 16 is a bottom view of the second embodiment of the vent cover.

1 Claim, 8 Drawing Sheets



(56)

References Cited

U.S. PATENT DOCUMENTS

1,817,494 A 8/1931 McMann
 2,839,986 A 6/1958 Herman
 3,731,952 A * 5/1973 Elwart E04D 13/1476
 285/3
 4,010,578 A * 3/1977 Logsdon E04D 13/1471
 52/58
 4,526,407 A * 7/1985 Kifer E04D 13/1476
 264/273
 4,563,847 A * 1/1986 Hasty E04D 13/1476
 285/4
 4,864,782 A * 9/1989 Hasty E04D 13/1471
 52/60
 4,899,645 A 2/1990 Wolfe
 5,010,700 A * 4/1991 Blair E04D 13/1476
 285/42
 D341,908 S 11/1993 Pataki
 D350,722 S 9/1994 Figueroa
 D351,649 S 10/1994 Lin
 D365,393 S 12/1995 Geun
 5,588,267 A * 12/1996 Rodriguez E04D 13/1476
 285/4
 5,647,178 A * 7/1997 Cline E04D 13/1476
 285/43
 D387,422 S 12/1997 Radtke
 D394,500 S 5/1998 Feer
 D397,417 S 8/1998 Jane
 5,860,256 A * 1/1999 Humber E04D 13/1476
 285/42
 6,279,272 B1 * 8/2001 Nill, Jr. E04D 13/1471
 285/43
 D475,449 S 6/2003 Stout, Jr.
 D476,074 S 6/2003 Stout, Jr.
 D476,407 S 6/2003 Snyder
 D554,749 S * 11/2007 Ness D23/393
 D571,273 S * 6/2008 Ferrari D12/194
 D571,908 S * 6/2008 Myers D23/393
 7,966,857 B1 * 6/2011 Myers B21D 22/20
 29/890.141

D662,230 S * 6/2012 Cline D25/199
 8,291,658 B1 * 10/2012 Johnston E04D 13/1471
 285/42
 D673,245 S * 12/2012 Cooney D23/260
 8,453,389 B2 * 6/2013 Selke E04D 13/1476
 52/58
 D718,136 S * 11/2014 Harrity D9/499
 8,984,822 B1 * 3/2015 Cline E04D 13/1476
 52/244
 9,169,648 B1 * 10/2015 Mills E04D 13/1476
 9,228,689 B1 * 1/2016 Cline F24F 7/02
 D796,074 S * 8/2017 Bond D25/199
 D804,643 S * 12/2017 Green D23/393
 9,879,430 B2 * 1/2018 West H02S 20/23
 9,909,320 B2 * 3/2018 Vowles E04D 13/1476
 9,951,890 B2 * 4/2018 Haynes E04D 13/1407
 D840,516 S * 2/2019 Haynes D23/269
 10,422,134 B2 * 9/2019 Lechuga F16L 59/18
 2004/0255523 A1 * 12/2004 Bibaud E04D 13/1476
 52/58
 2013/0020796 A1 * 1/2013 Humber E04D 13/1407
 285/44
 2013/0328300 A1 * 12/2013 Bond B26D 3/00
 285/42
 2015/0267600 A1 * 9/2015 Mehravaran F01P 1/02
 123/41.11

OTHER PUBLICATIONS

Pyrex Storage Deluxe Pink Vent Cover, image post date Mar. 16, 2015, site visited Mar. 3, 2017, (online), <<http://www.ebay.com/cfn/black-friday-deals-on-pyrex/246289478017>>.
 Chevy Air Conditioning Dash Vent Assemblies, image post date 1955, site visited Mar. 3, 2017, (online), <<https://www.danchuk.com/ItemForm.aspx?Item=16203>>.
 Air conditioning dash nozzles, image post date 1955, site visited Mar. 3, 2017, (online), <https://yearone.com/Catalog/1955.57.chevy/interior/dash/vents_knobs_cables_hardware>.

* cited by examiner

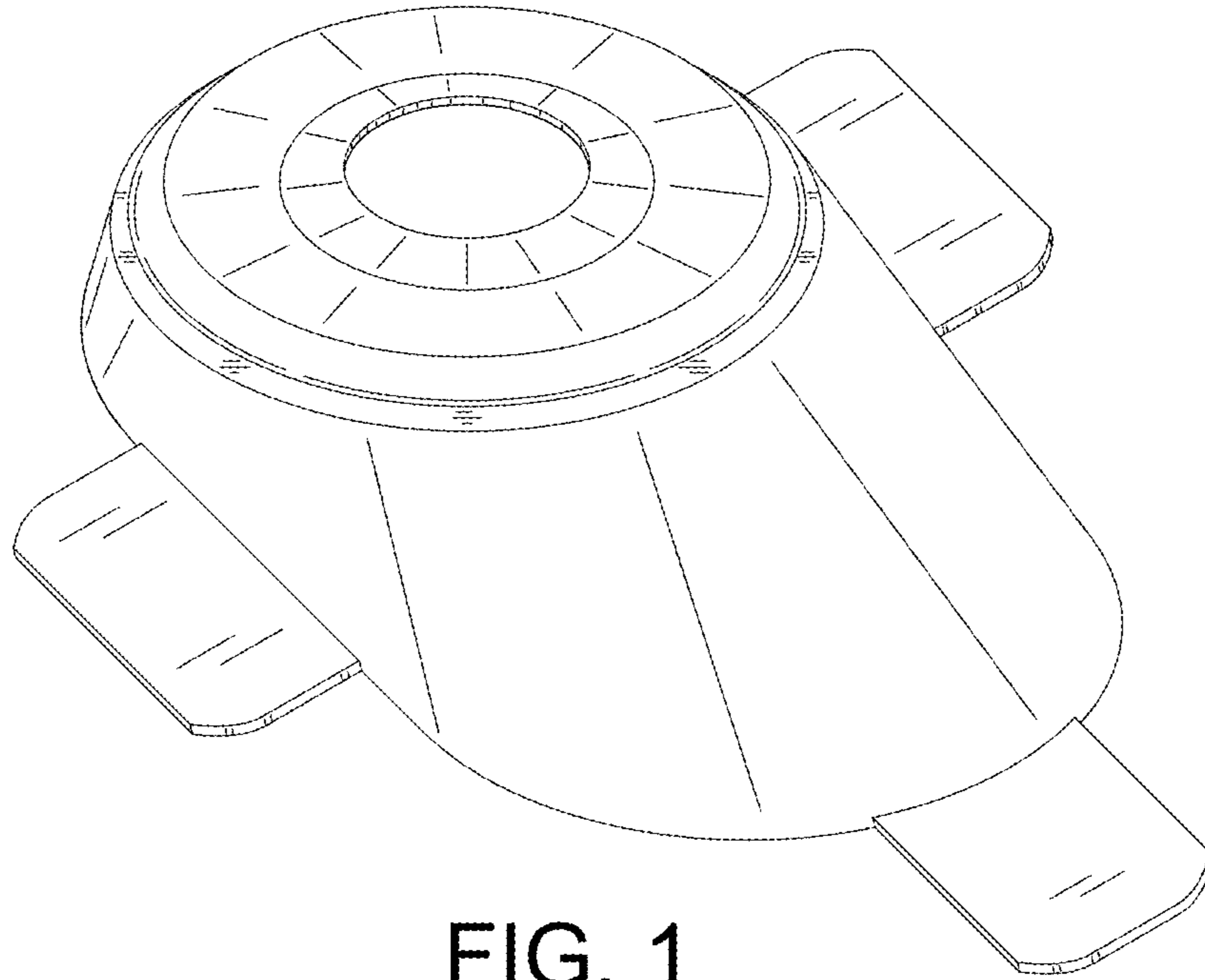


FIG. 1

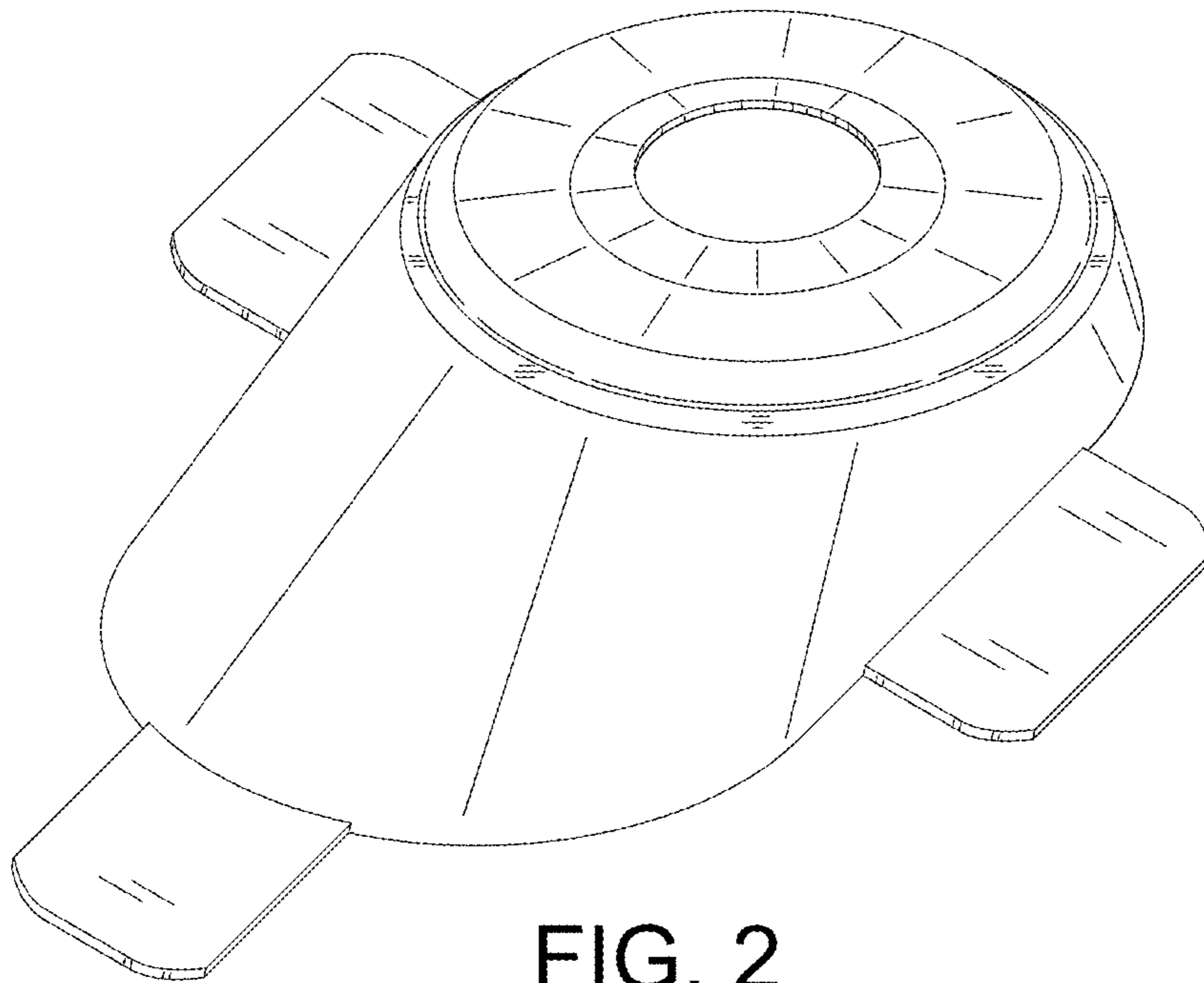


FIG. 2

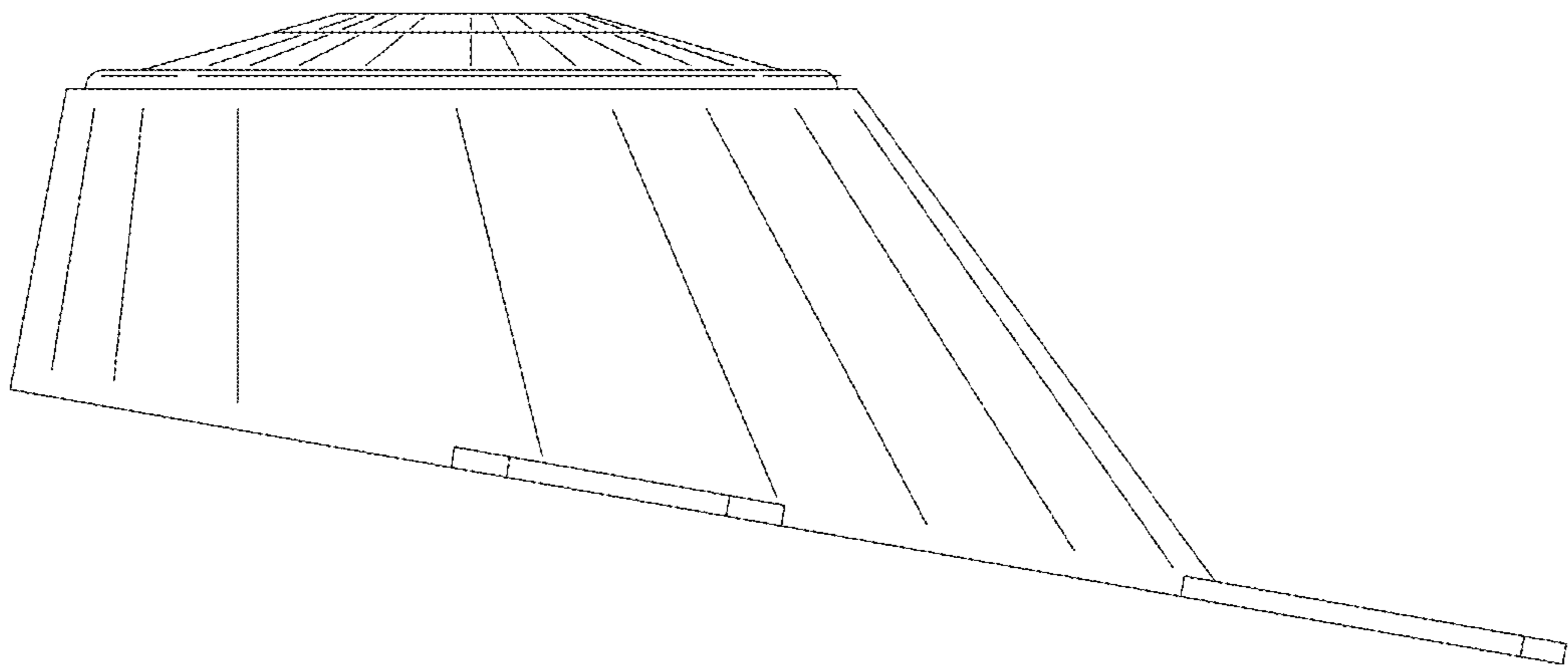


FIG. 3

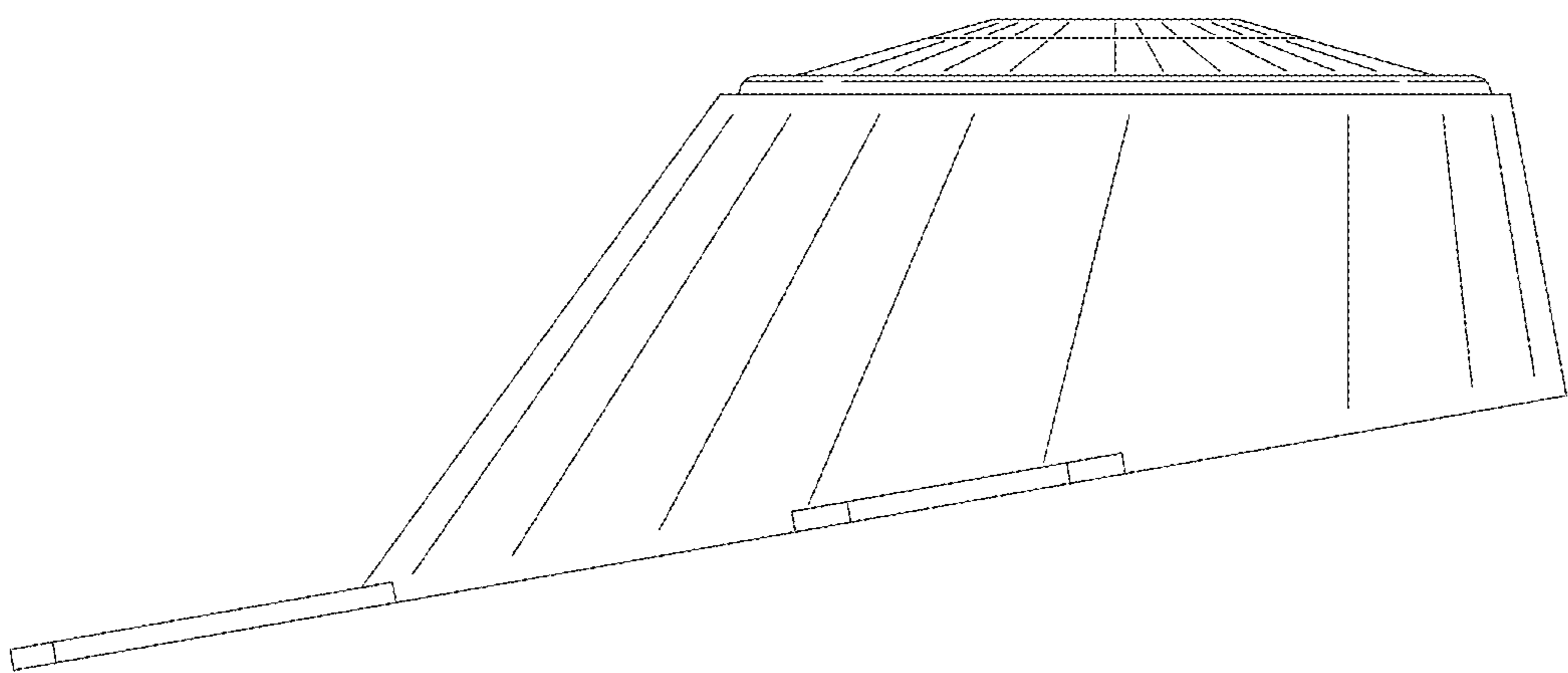


FIG. 4

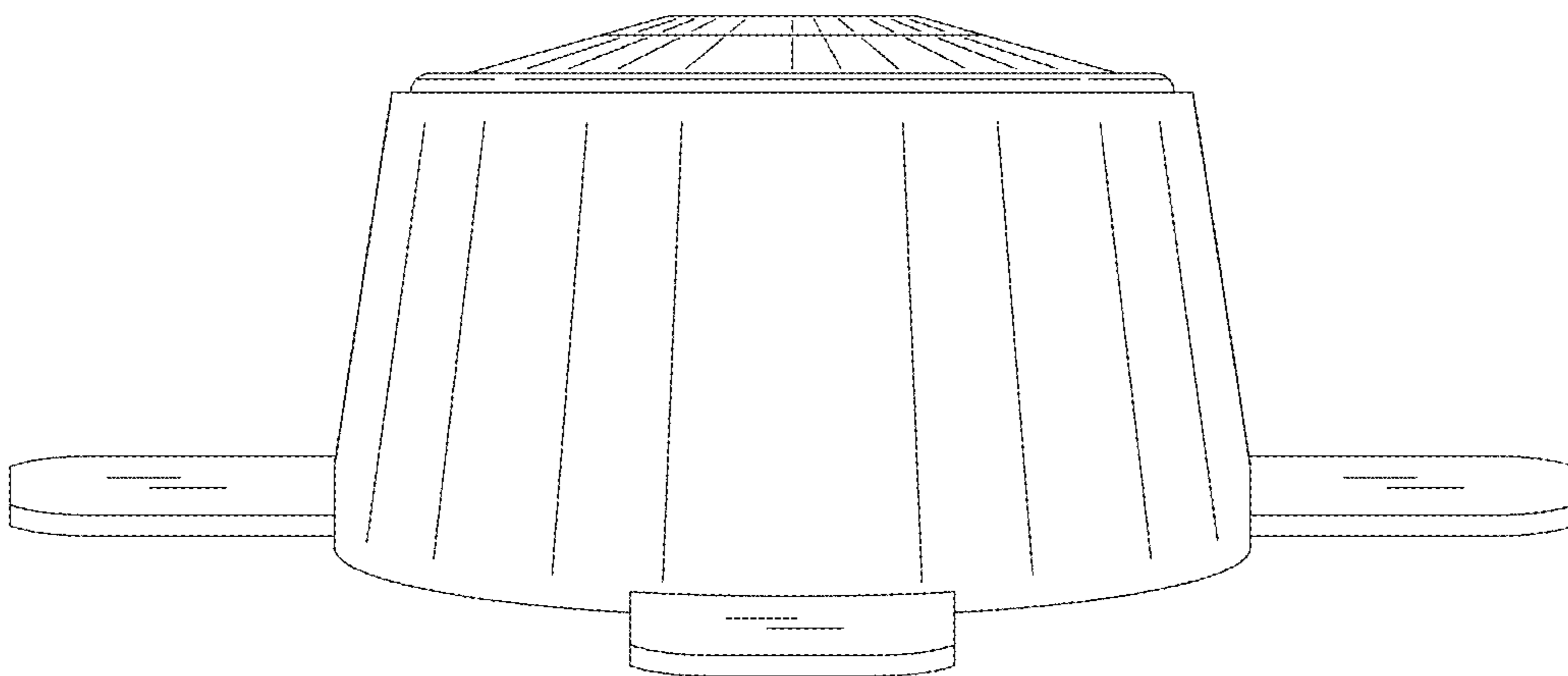


FIG. 5

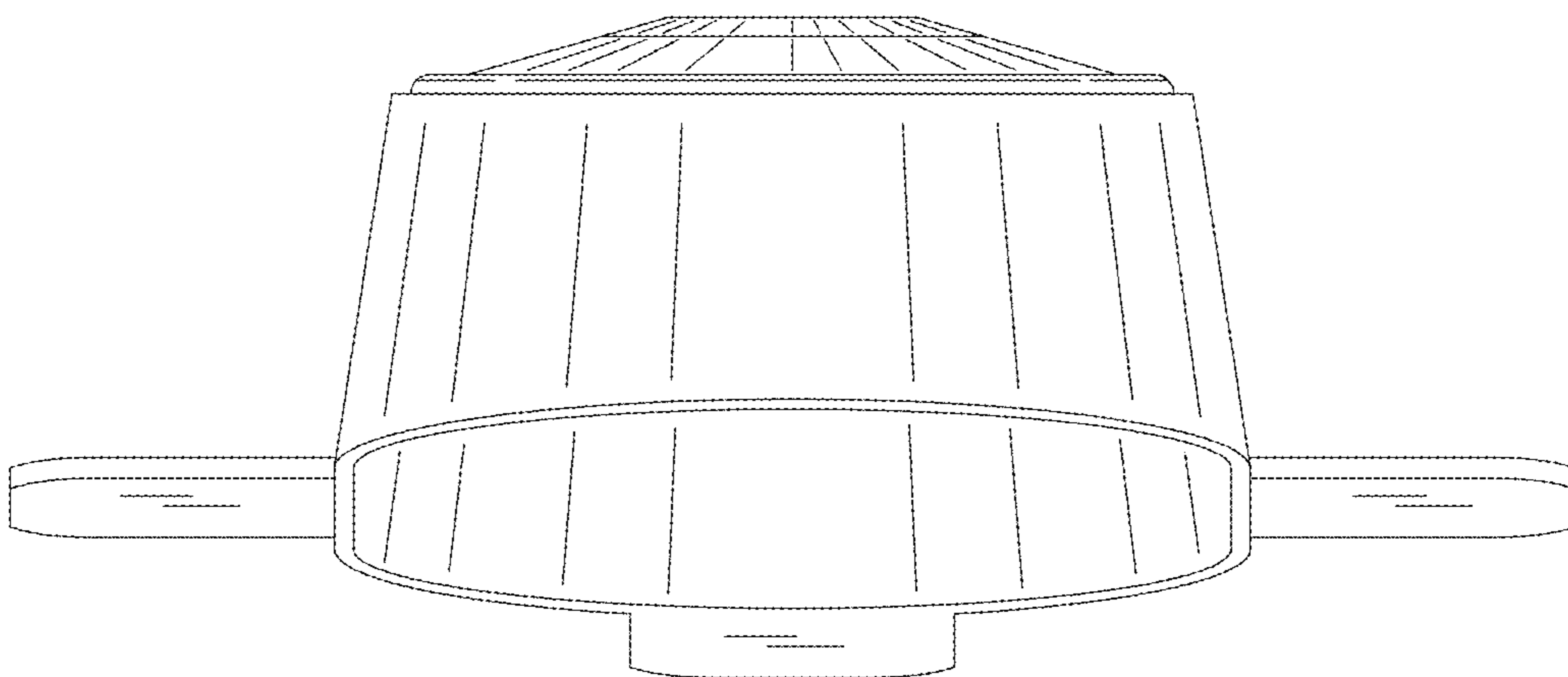


FIG. 6

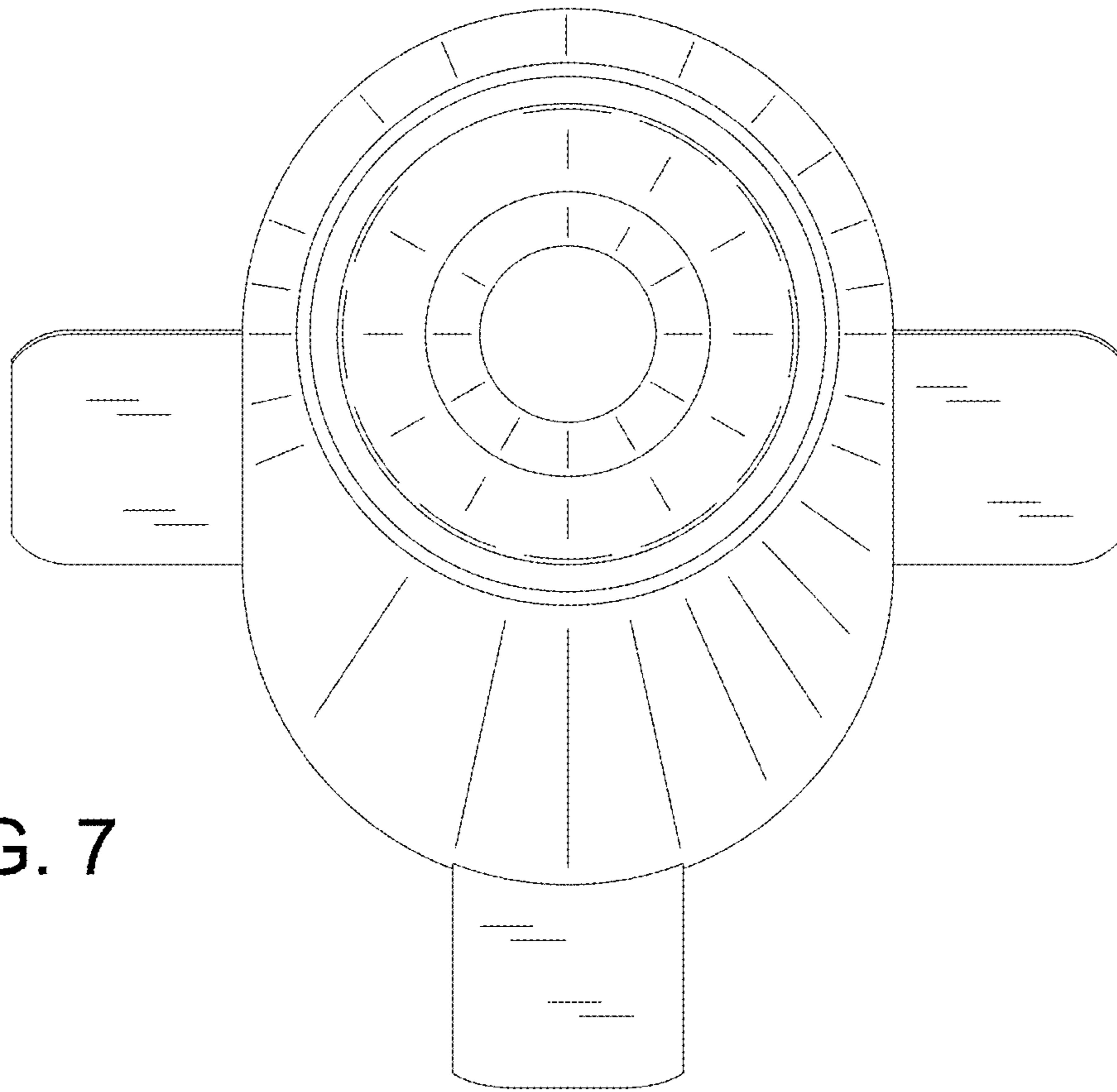


FIG. 7

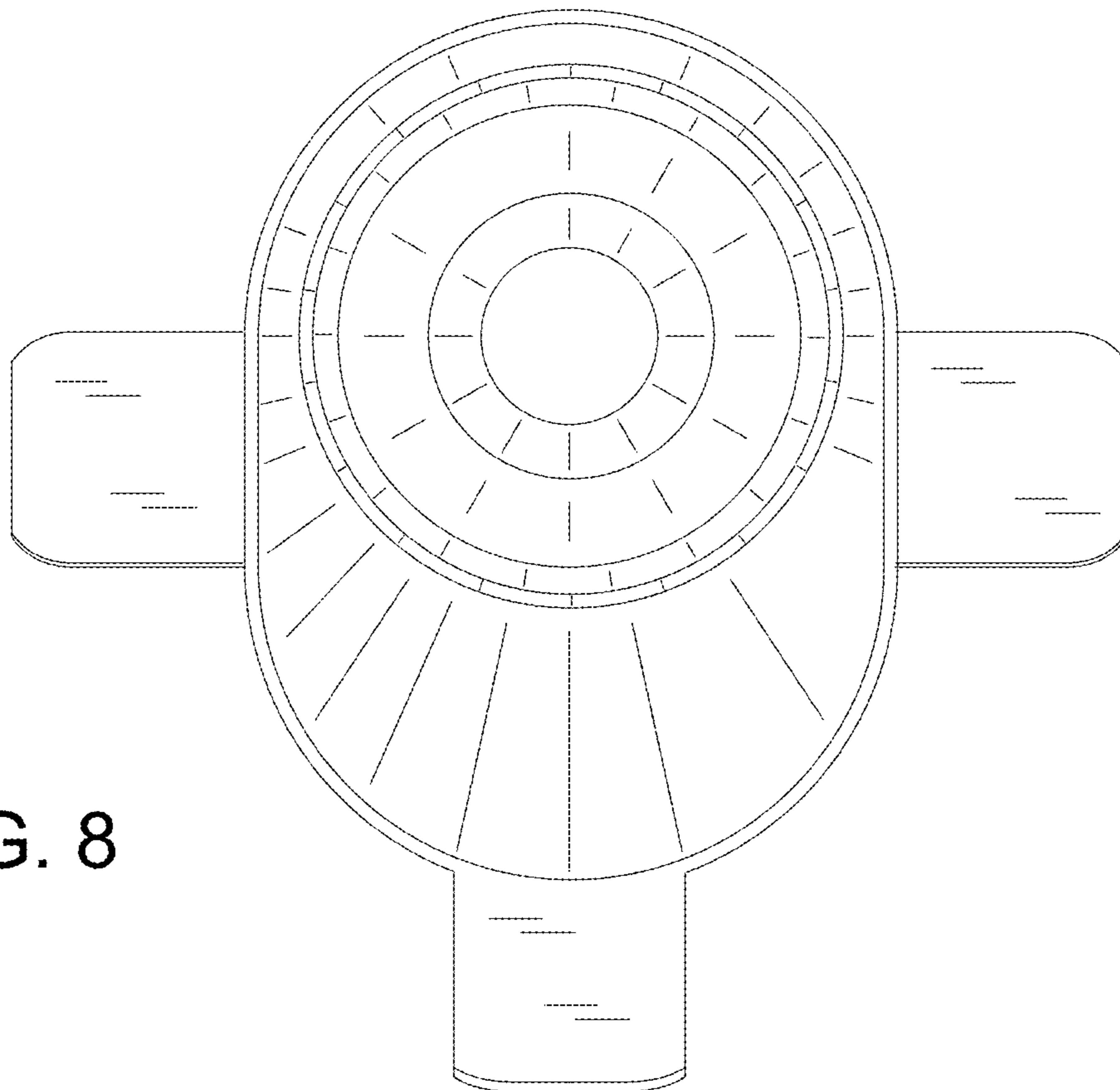


FIG. 8

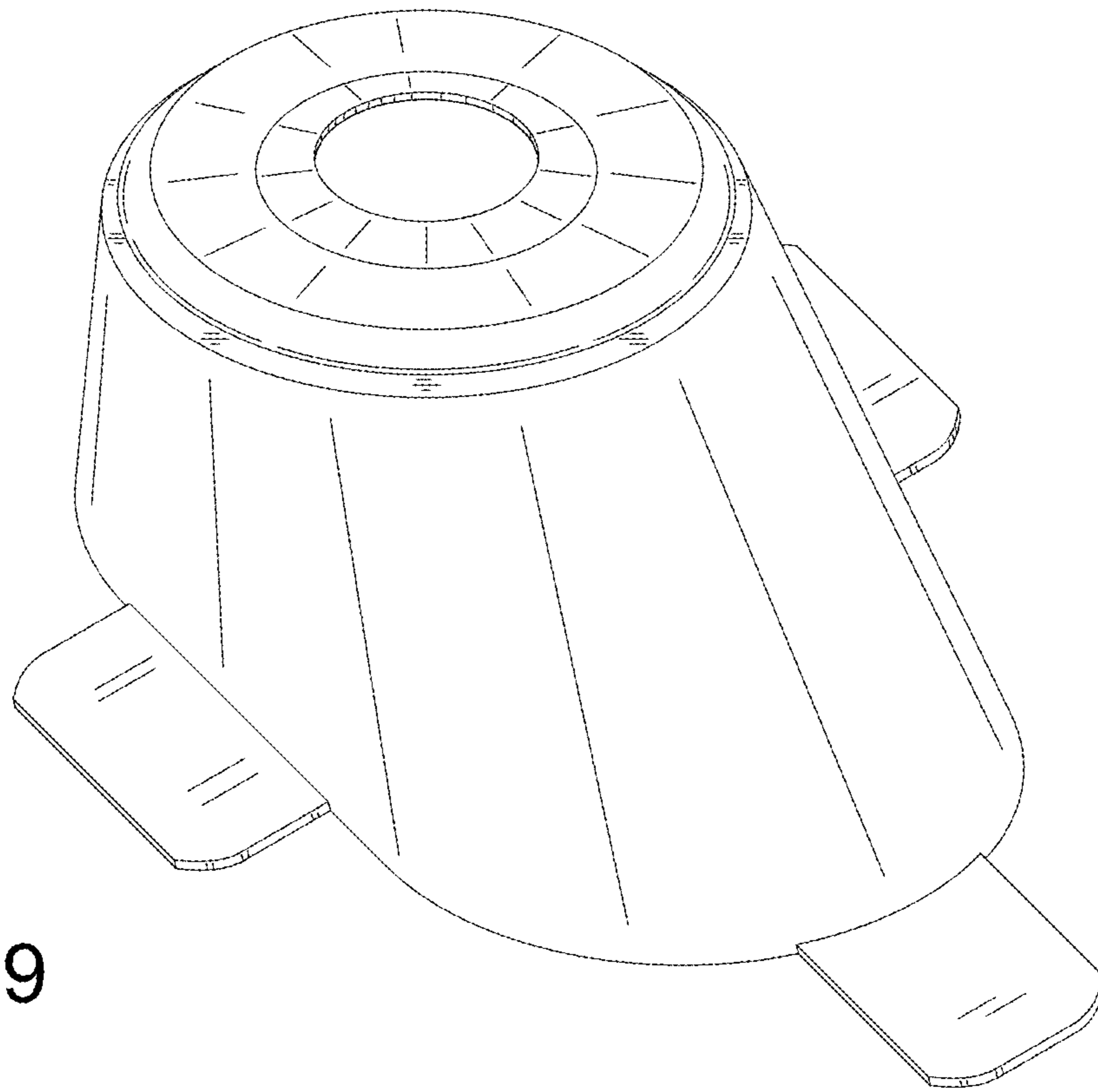


FIG. 9

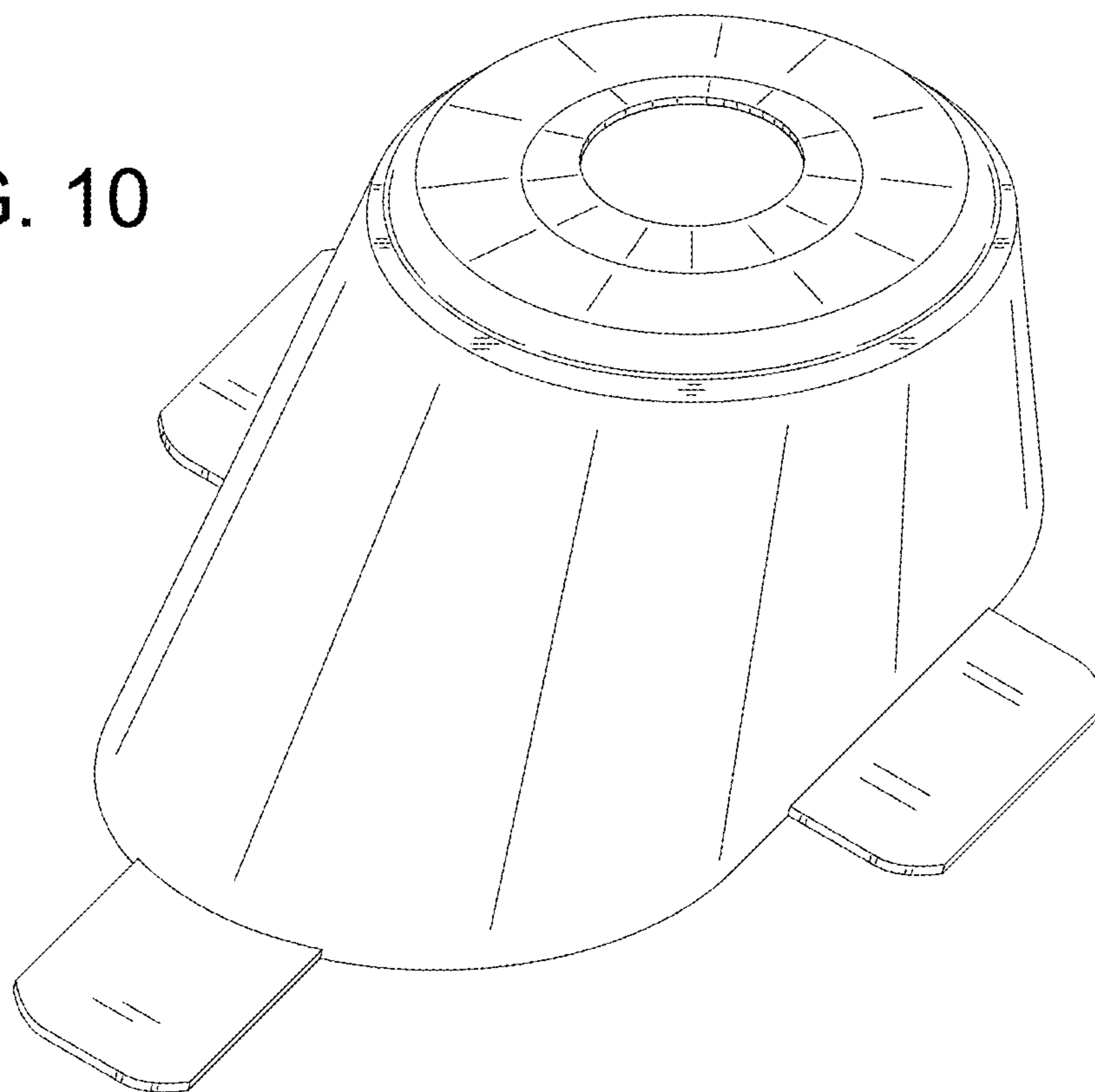


FIG. 10

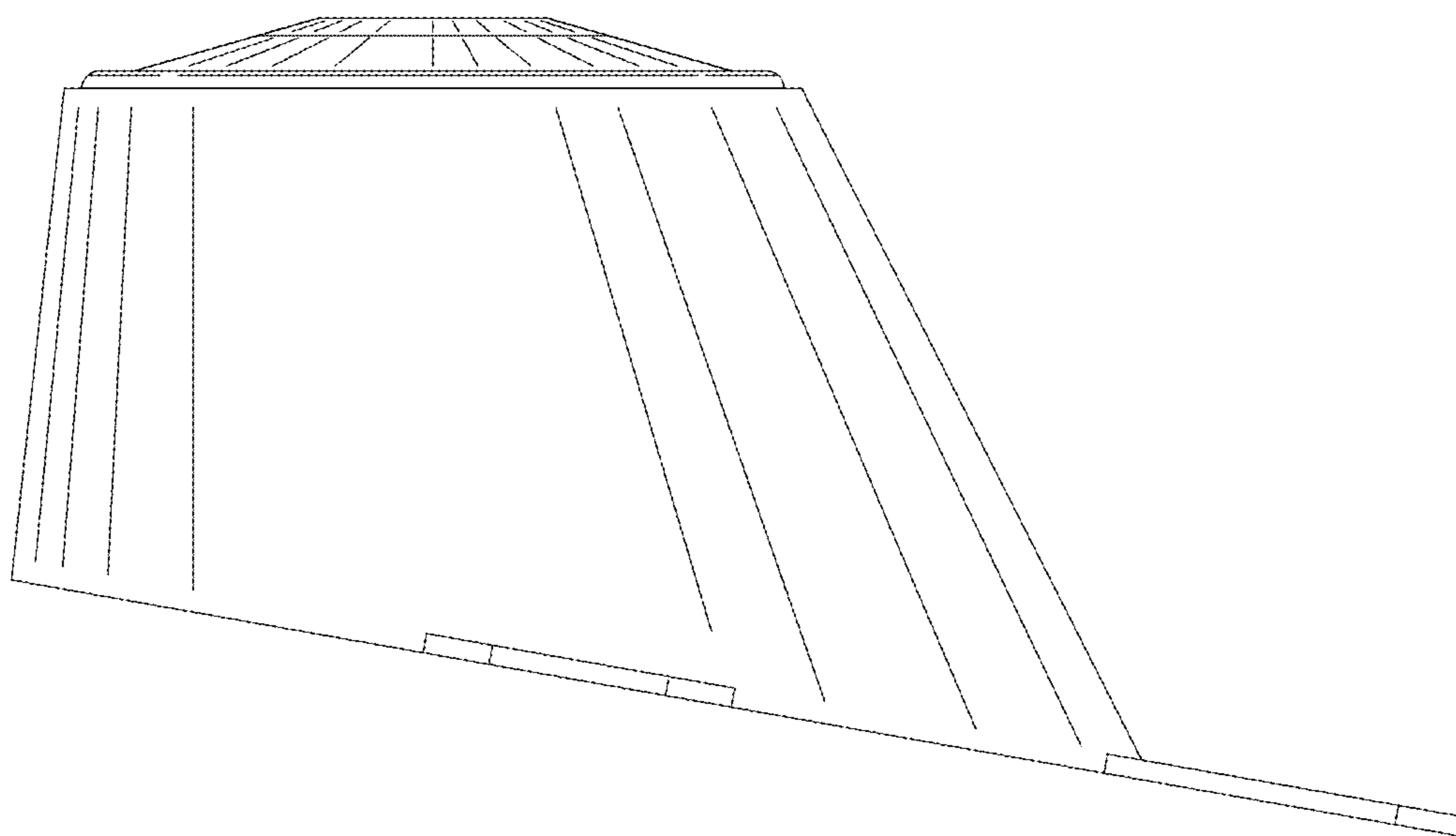


FIG. 11

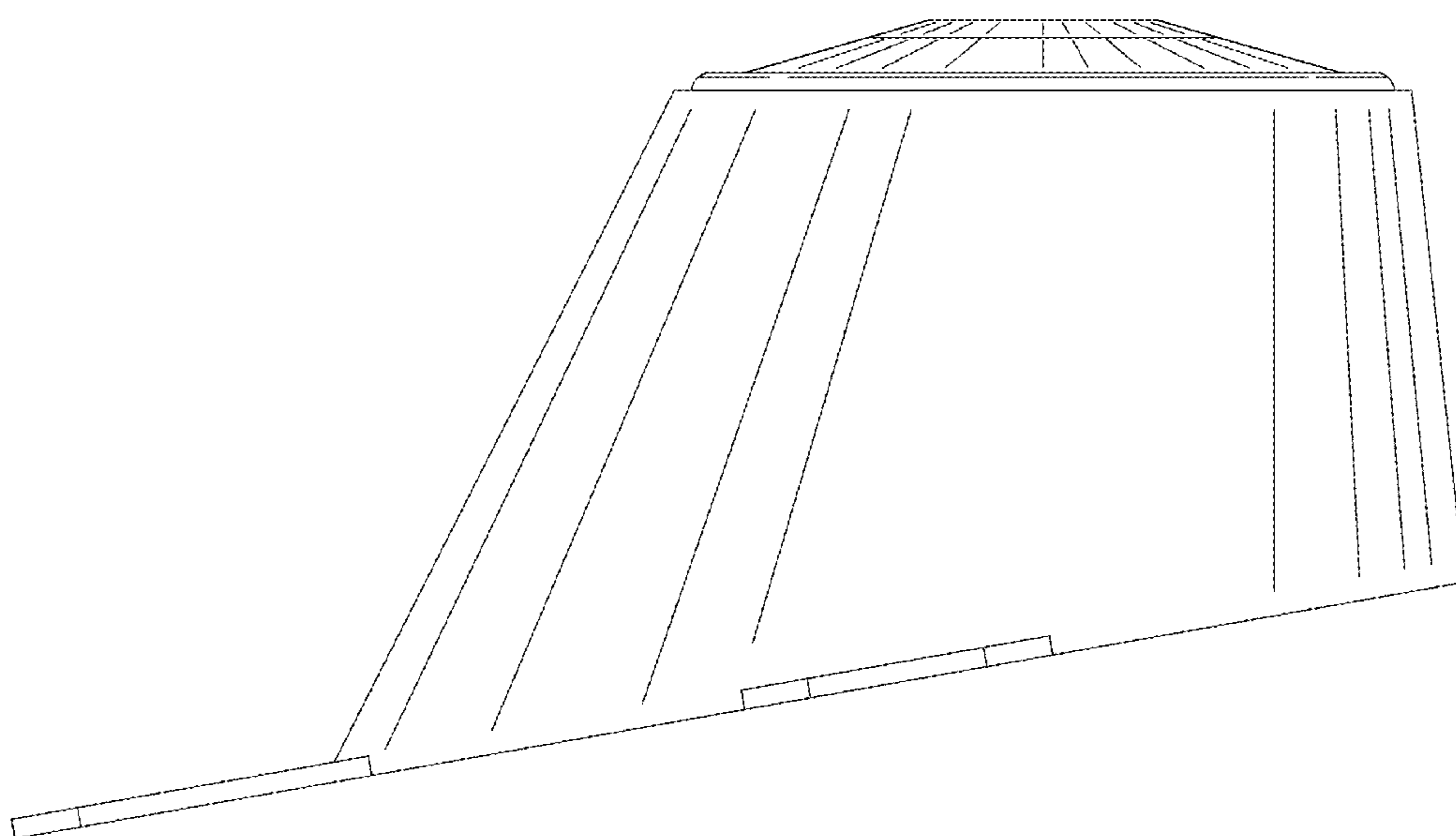


FIG. 12

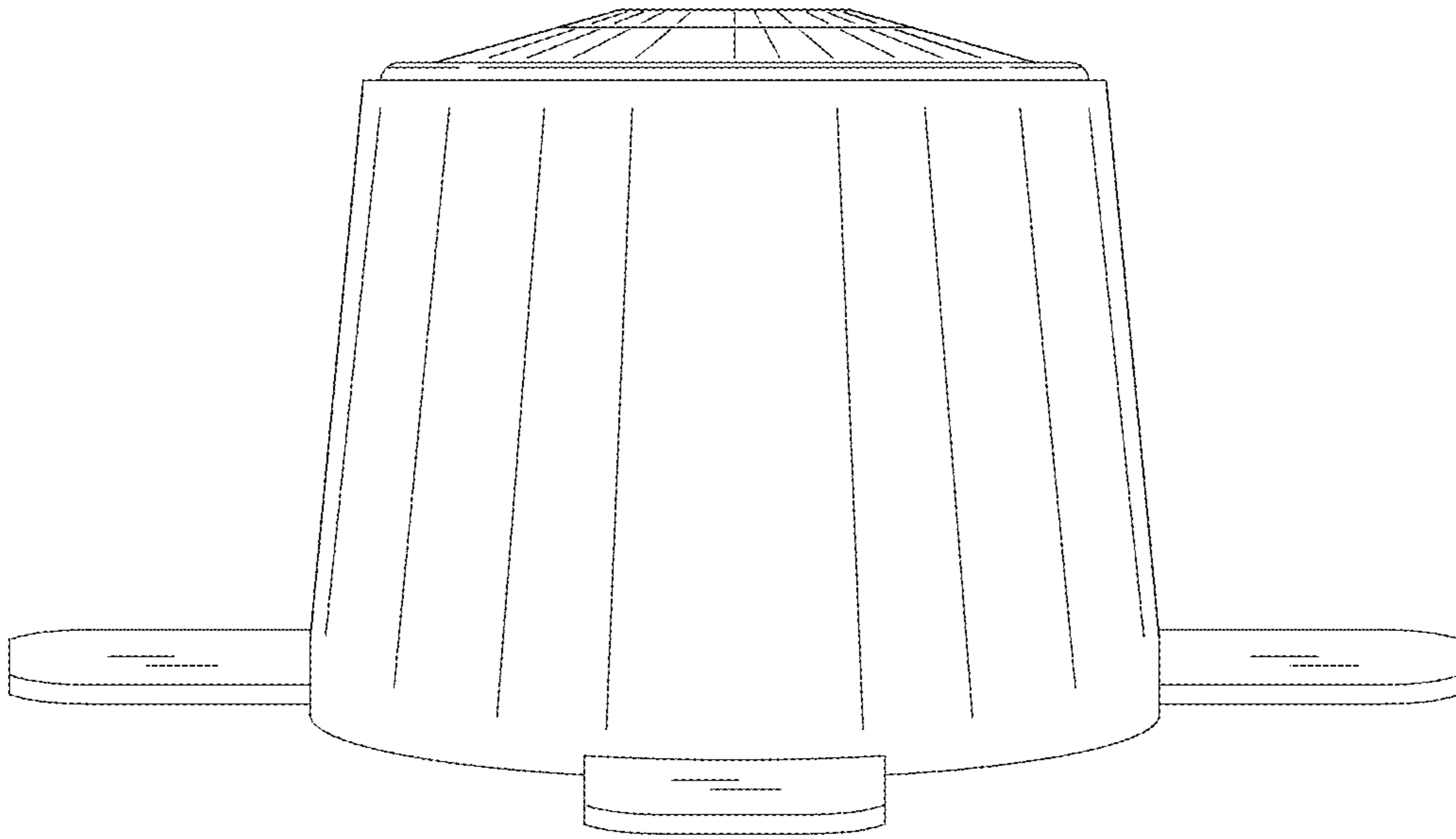


FIG. 13

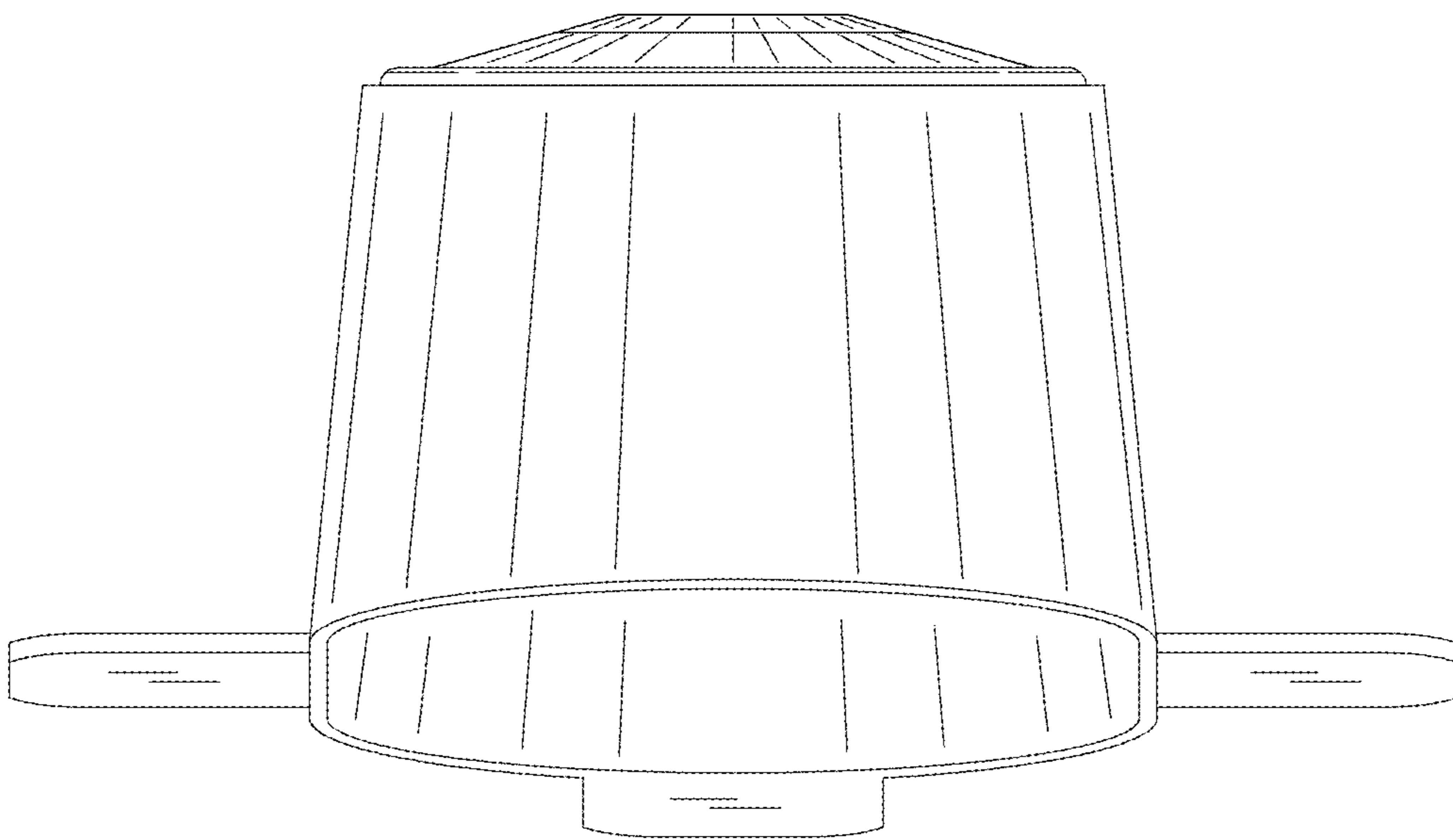


FIG. 14

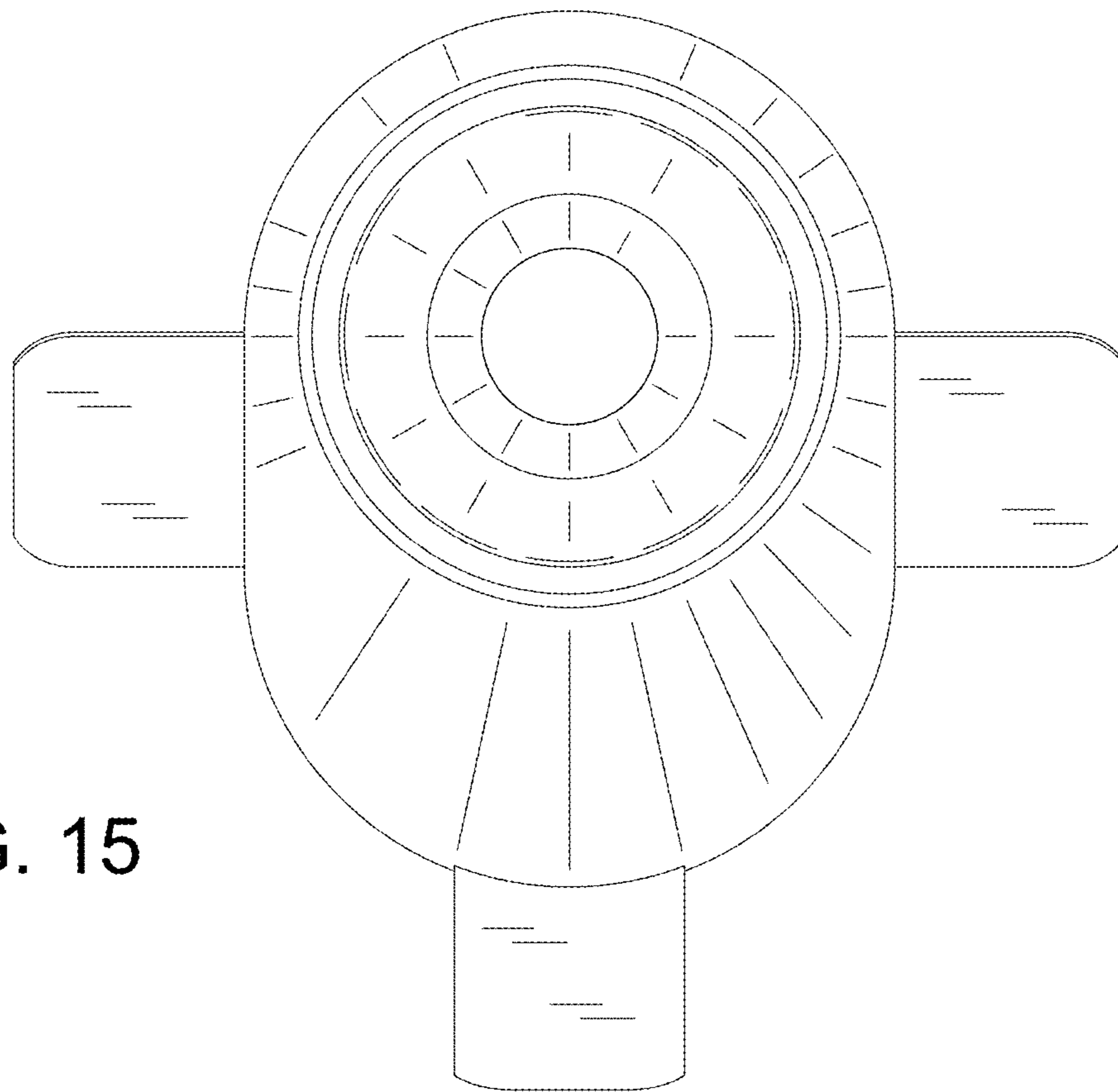


FIG. 15

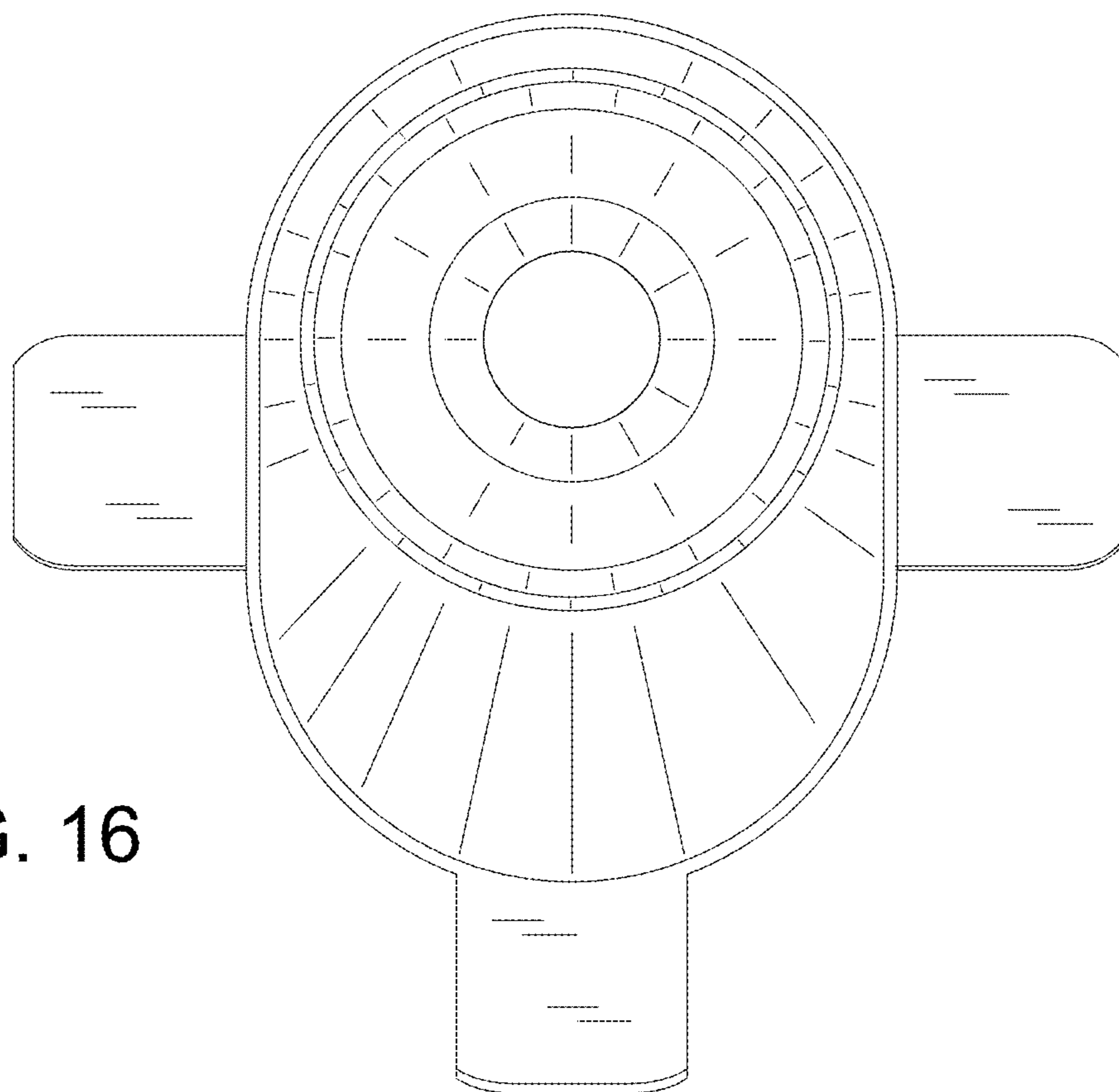


FIG. 16