



US00D878542S

(12) **United States Design Patent**  
**Urano**

(10) **Patent No.:** **US D878,542 S**  
(45) **Date of Patent:** **\*\* Mar. 17, 2020**

- (54) **AIR-CONDITIONING OUTLET**
- (71) Applicant: **KIMURA KOHKI CO., LTD.**,  
Osaka-shi, Osaka (JP)
- (72) Inventor: **Katsuhiko Urano**, Sakai (JP)
- (73) Assignee: **KIMURA KOHKI CO., LTD.**,  
Osaka-Shi, Osaka (JP)
- (\*\*) Term: **15 Years**
- (21) Appl. No.: **29/662,282**
- (22) Filed: **Sep. 4, 2018**
- (30) **Foreign Application Priority Data**

Mar. 5, 2018 (JP) ..... 2018-004475

- (51) **LOC (12) Cl.** ..... **23-03**
- (52) **U.S. Cl.**  
USPC ..... **D23/388**
- (58) **Field of Classification Search**  
USPC ..... D23/386, 388, 390, 393, 398, 403  
CPC .. F23M 7/04; F24F 12/00; F24F 13/00; F24F  
13/0227; F24F 13/0236  
See application file for complete search history.

(56) **References Cited**

**U.S. PATENT DOCUMENTS**

- 8,342,233 B2 \* 1/2013 Kjellerstedt ..... F24F 1/0059  
165/47
- D714,927 S \* 10/2014 Urano ..... D23/388
- D714,928 S \* 10/2014 Urano ..... D23/388
- D805,177 S \* 12/2017 Urano ..... D23/388
- D805,178 S \* 12/2017 Urano ..... D23/388
- D805,179 S \* 12/2017 Urano ..... D23/388
- D805,180 S \* 12/2017 Urano ..... D23/388

- D806,854 S \* 1/2018 Urano ..... D23/388
- D807,495 S \* 1/2018 Hirsch ..... D23/393
- D814,623 S \* 4/2018 Urano ..... D23/387
- D825,049 S \* 8/2018 Miskel ..... D23/388
- 10,240,808 B2 \* 3/2019 Kimura ..... F24F 3/1603
- D850,610 S \* 6/2019 Drummond ..... D23/393

\* cited by examiner

*Primary Examiner* — Karen S Acker

*Assistant Examiner* — Steven B Reinholdt, Jr.

(74) *Attorney, Agent, or Firm* — Alleman Hall Creasman & Tuttle LLP

(57) **CLAIM**

The ornamental design for an air-conditioning outlet, as shown and described.

**DESCRIPTION**

FIG. 1 is a front view of an ornamental design for an air-conditioning outlet showing my new design; the rear view being a mirror image thereto.

FIG. 2 is a left side view of the air-conditioning outlet of FIG. 1.

FIG. 3 is a right side view of the air-conditioning outlet of FIG. 1.

FIG. 4 is a top view of the air-conditioning outlet of FIG. 1.

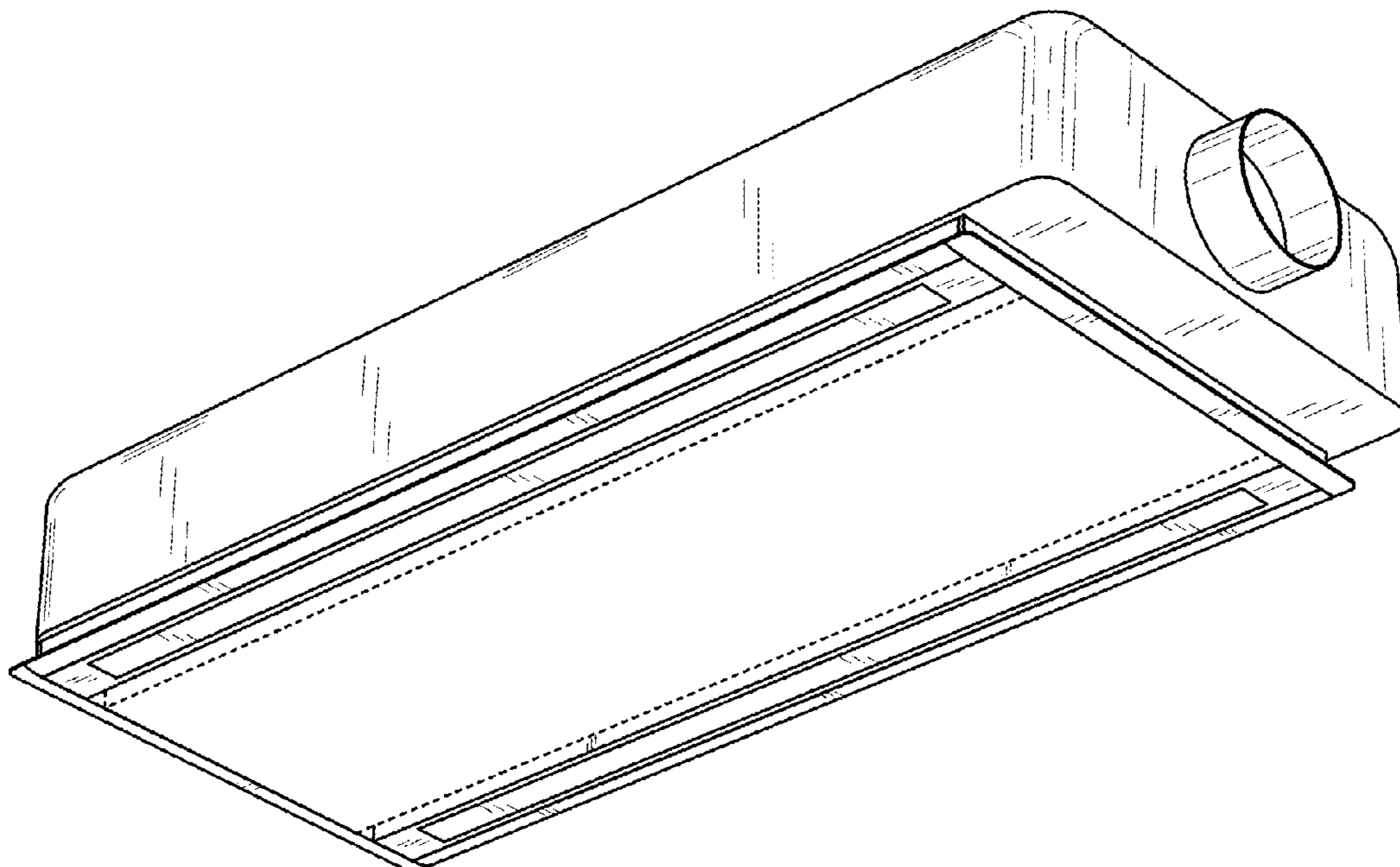
FIG. 5 is a bottom view of the air-conditioning outlet of FIG. 1; and,

FIG. 6 is a perspective view of the air-conditioning outlet of FIG. 1.

The broken lines and the area within them which illustrate the radiation panel form no part of the claimed design.

My design is intended for use as an air-conditioning outlet on an interior ceiling of a room.

**1 Claim, 3 Drawing Sheets**



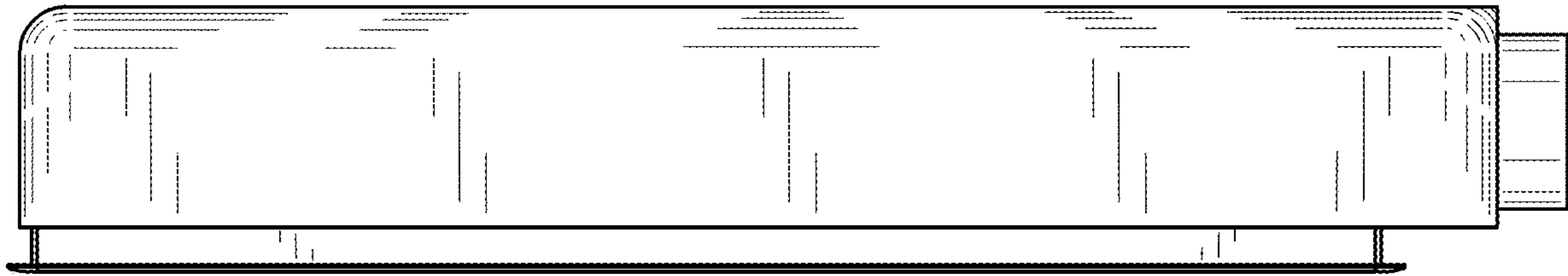


FIG. 1

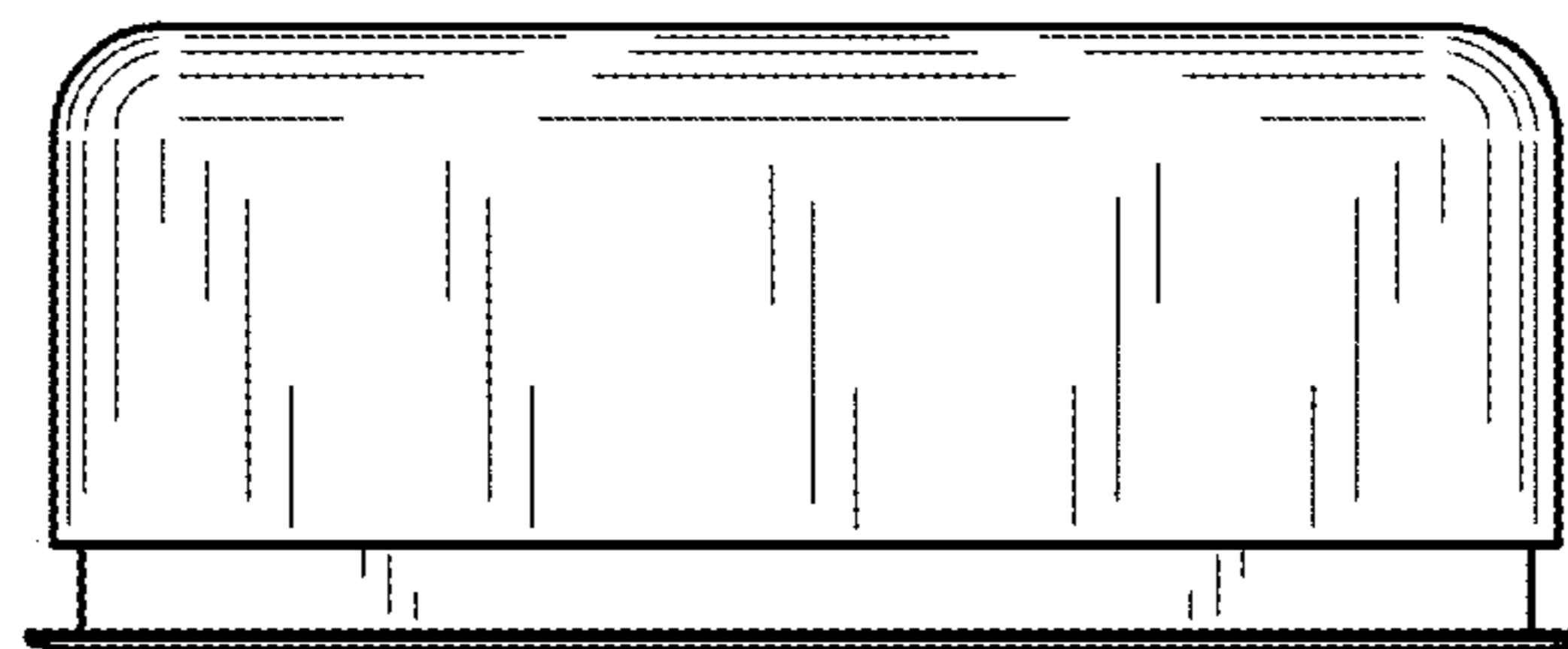


FIG. 2

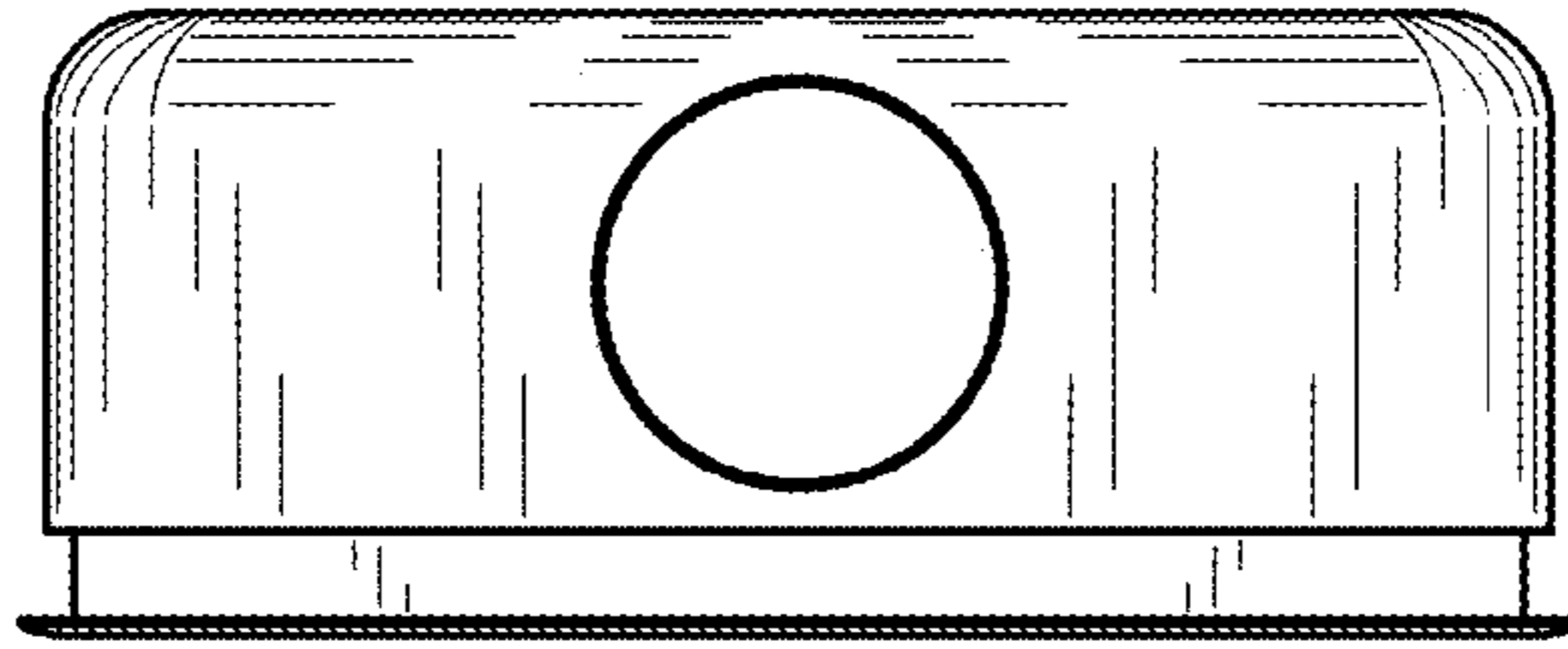


FIG. 3

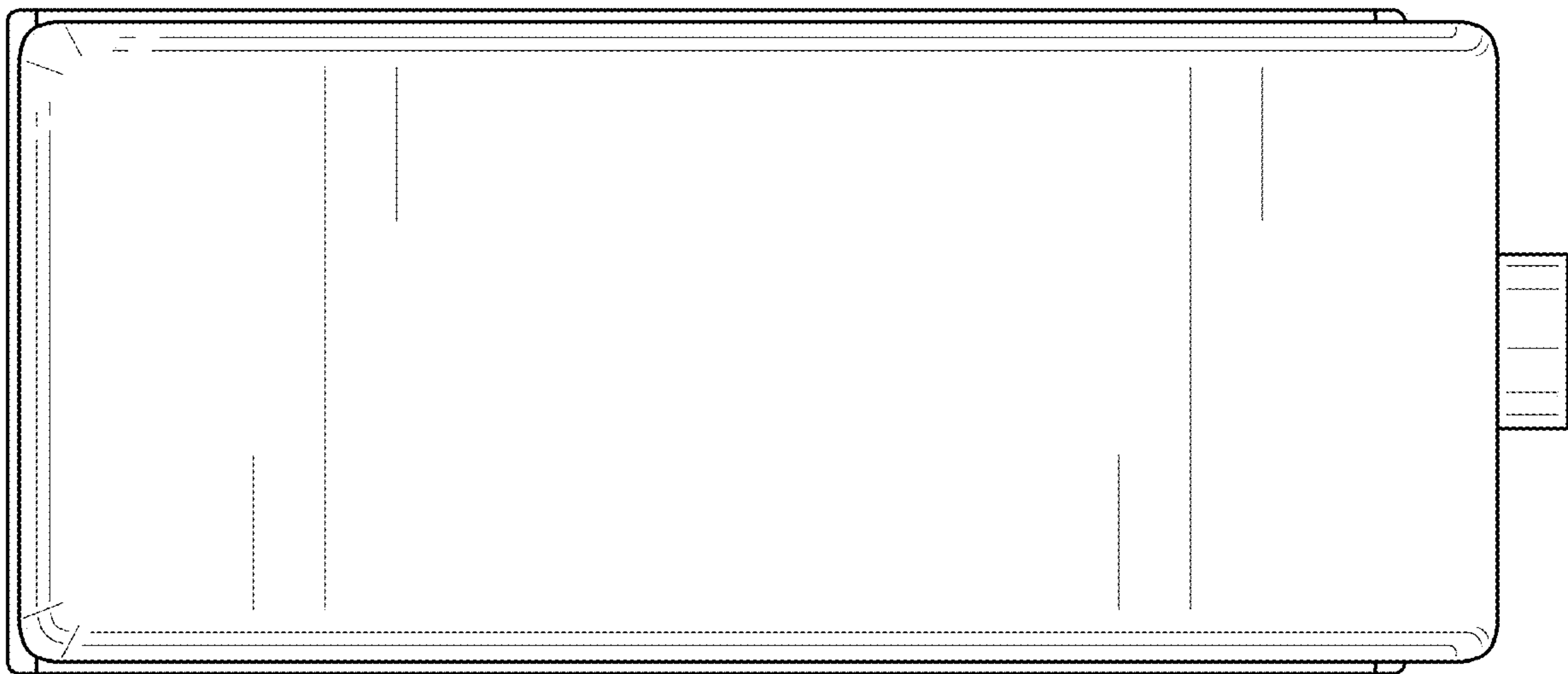


FIG. 4

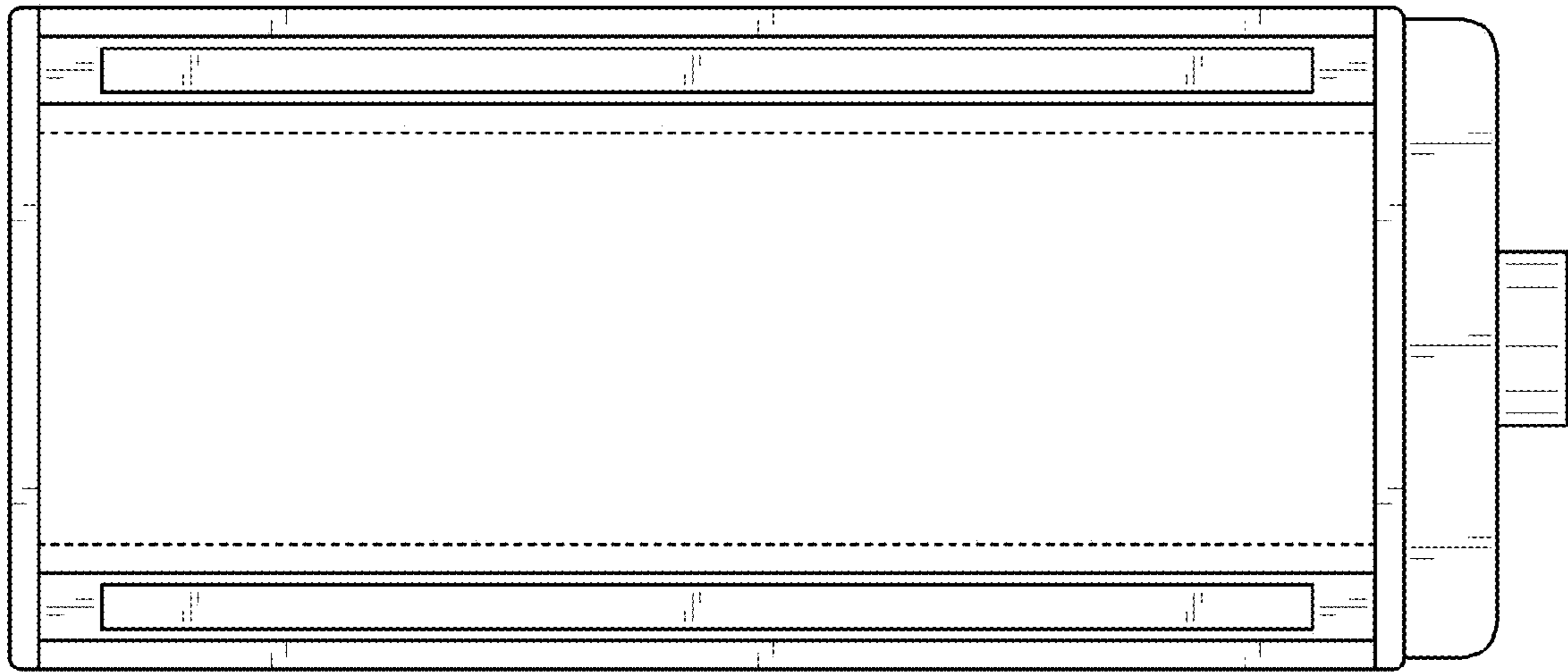


FIG. 5

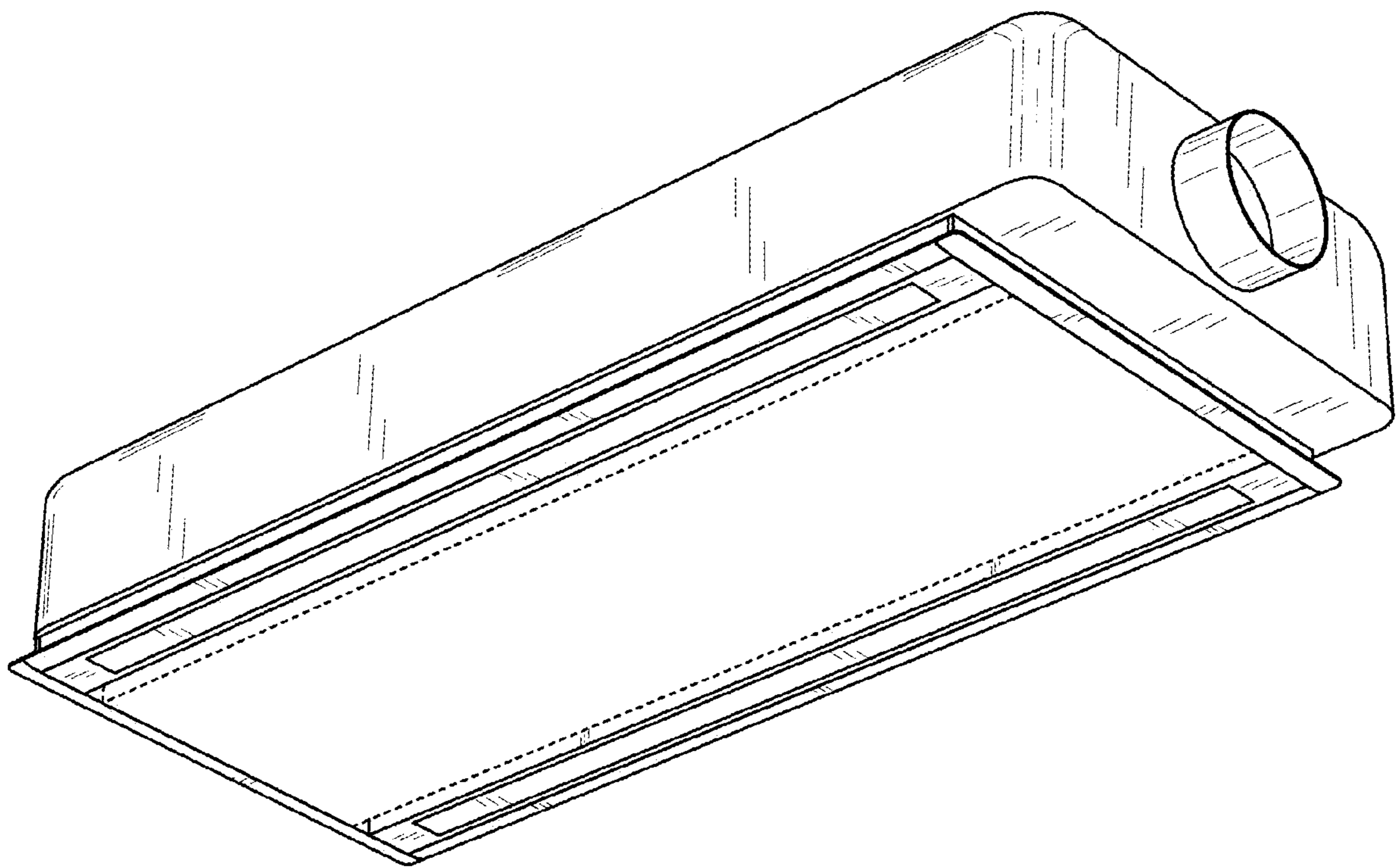


FIG. 6