



US00D878541S

(12) **United States Design Patent**
Holmes et al.

(10) **Patent No.:** **US D878,541 S**
(45) **Date of Patent:** **** Mar. 17, 2020**

- (54) **CEILING FAN**
- (71) Applicant: **HUNTER FAN COMPANY**,
Memphis, TN (US)
- (72) Inventors: **Christine Holmes**, Memphis, TN (US);
Claire Bernice McRoberts, Memphis,
TN (US)
- (73) Assignee: **Hunter Fan Company**, Memphis, TN
(US)
- (**) Term: **15 Years**
- (21) Appl. No.: **29/593,918**
- (22) Filed: **Feb. 14, 2017**
- (51) **LOC (12) Cl.** **23-04**
- (52) **U.S. Cl.**
USPC **D23/377**
- (58) **Field of Classification Search**
USPC D26/59; D23/370, 377-382, 411-414
CPC F04D 25/088; F04D 29/38; F21V 21/03;
B63H 1/16
See application file for complete search history.

D628,286 S *	11/2010	Yang	D23/411
D632,382 S	2/2011	Pan		
D671,202 S	11/2012	Searle		
D714,925 S	10/2014	Pan		
D715,919 S *	10/2014	Pan	D23/411
D810,912 S *	2/2018	McRoberts	D23/377
D810,914 S *	2/2018	Badarello	D23/377
D825,051 S *	8/2018	Guthrie	D23/411
D834,173 S *	11/2018	Holmes	D23/411

* cited by examiner

Primary Examiner — Janice Hallmark

(74) *Attorney, Agent, or Firm* — McGarry Bair PC

(57) **CLAIM**

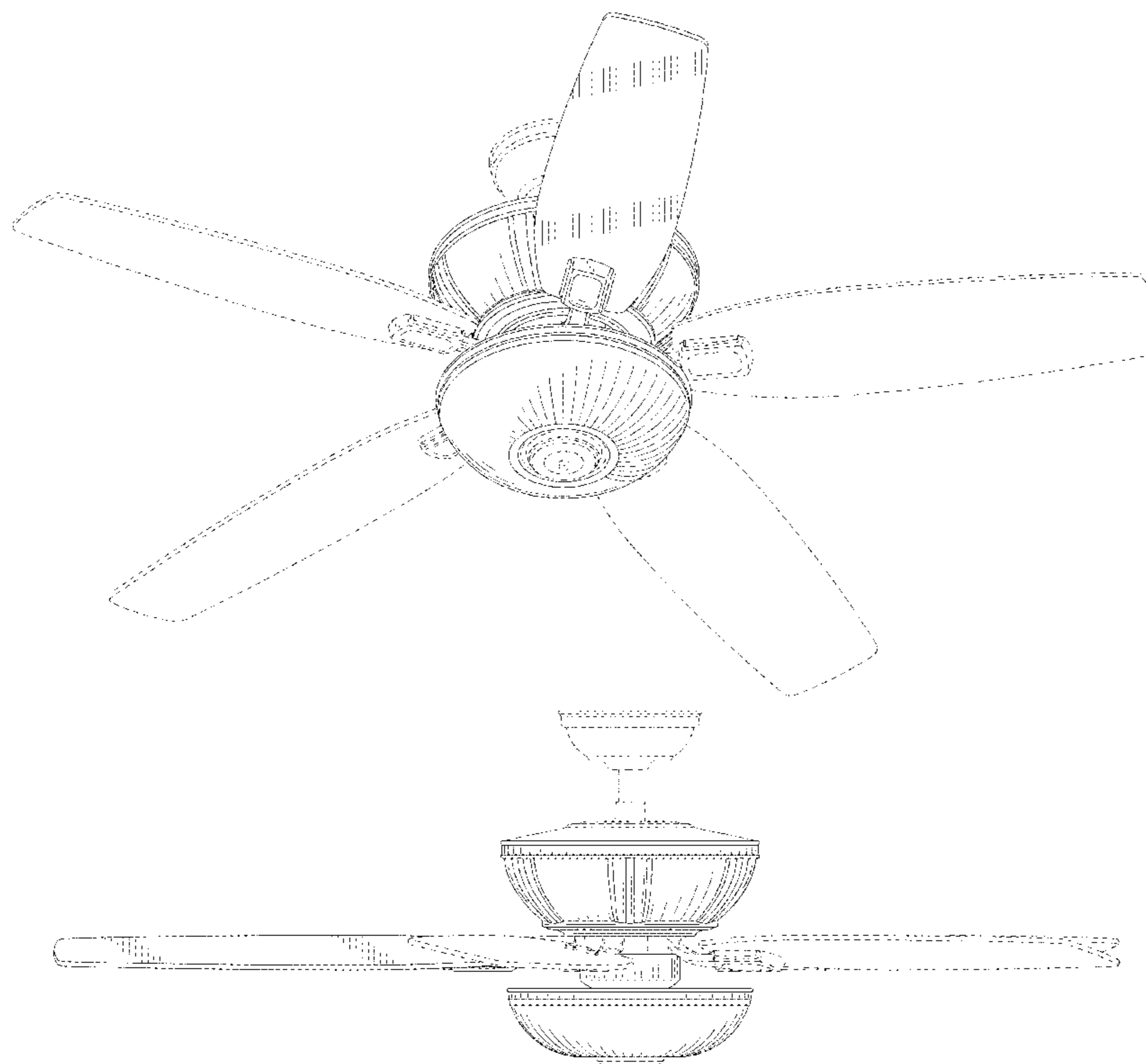
The ornamental design for a ceiling fan, as shown and described.

DESCRIPTION

FIG. 1 is a top perspective view of a ceiling fan, showing my new design;
 FIG. 2 is a bottom perspective view of the ceiling fan of FIG. 1;
 FIG. 3 is a top view of the ceiling fan of FIG. 1;
 FIG. 4 is a bottom view of the ceiling fan of FIG. 1;
 FIG. 5 is a front view of the ceiling fan of FIG. 1;
 FIG. 6 is a rear view of the ceiling fan of FIG. 1;
 FIG. 7 is a left side view of the ceiling fan of FIG. 1; and,
 FIG. 8 is right side view of the ceiling fan of FIG. 1.
 Portions of the ceiling fan are shown in broken lines. Portions of the ceiling fan shown in broken line forms no part of the claimed design.

1 Claim, 8 Drawing Sheets

- (56) **References Cited**
U.S. PATENT DOCUMENTS
- D328,951 S 8/1992 Scofield et al.
- D547,433 S 7/2007 Wang
- D594,543 S 6/2009 Pan
- D603,955 S 11/2009 Patton
- D627,054 S 11/2010 Pan



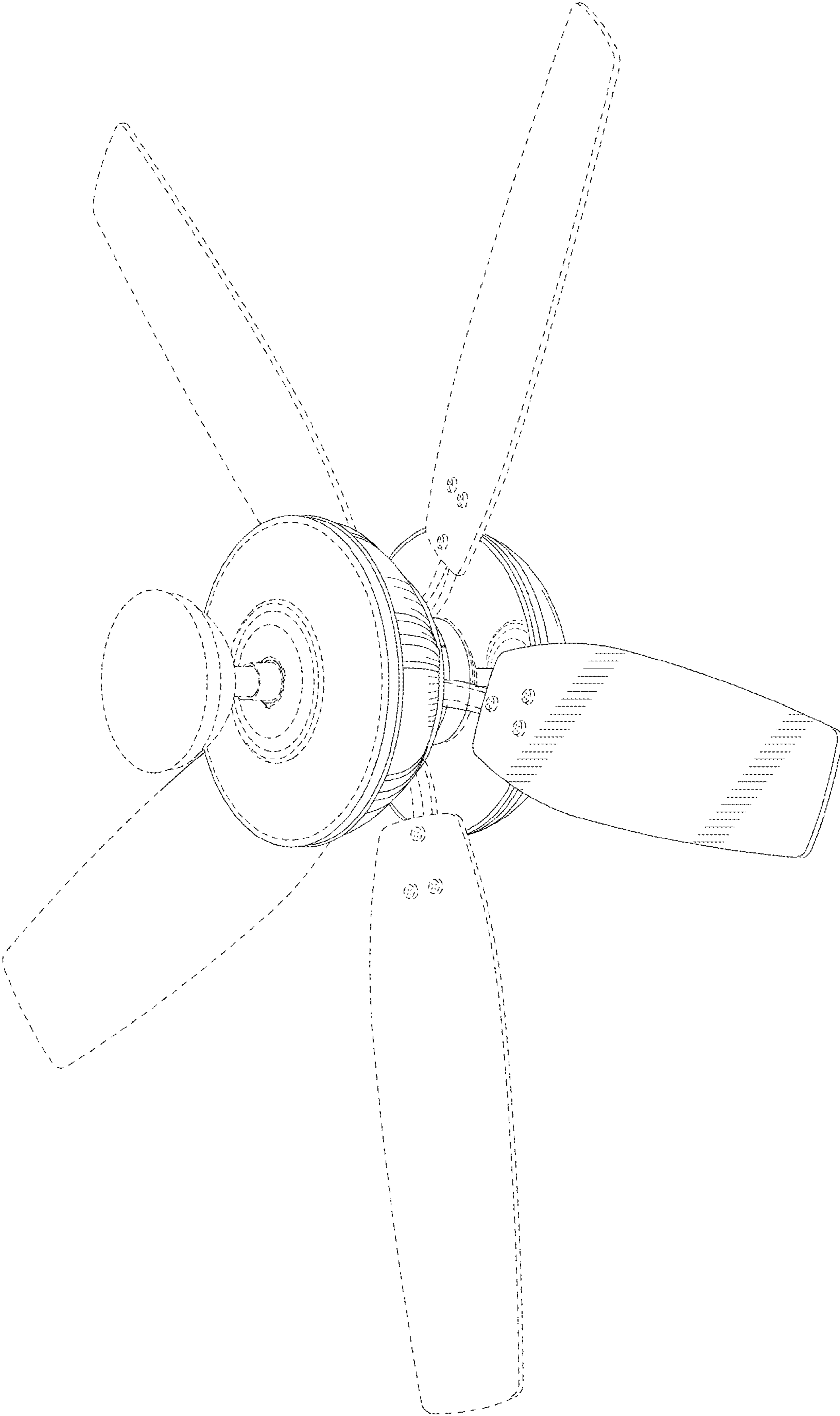


FIG. 1

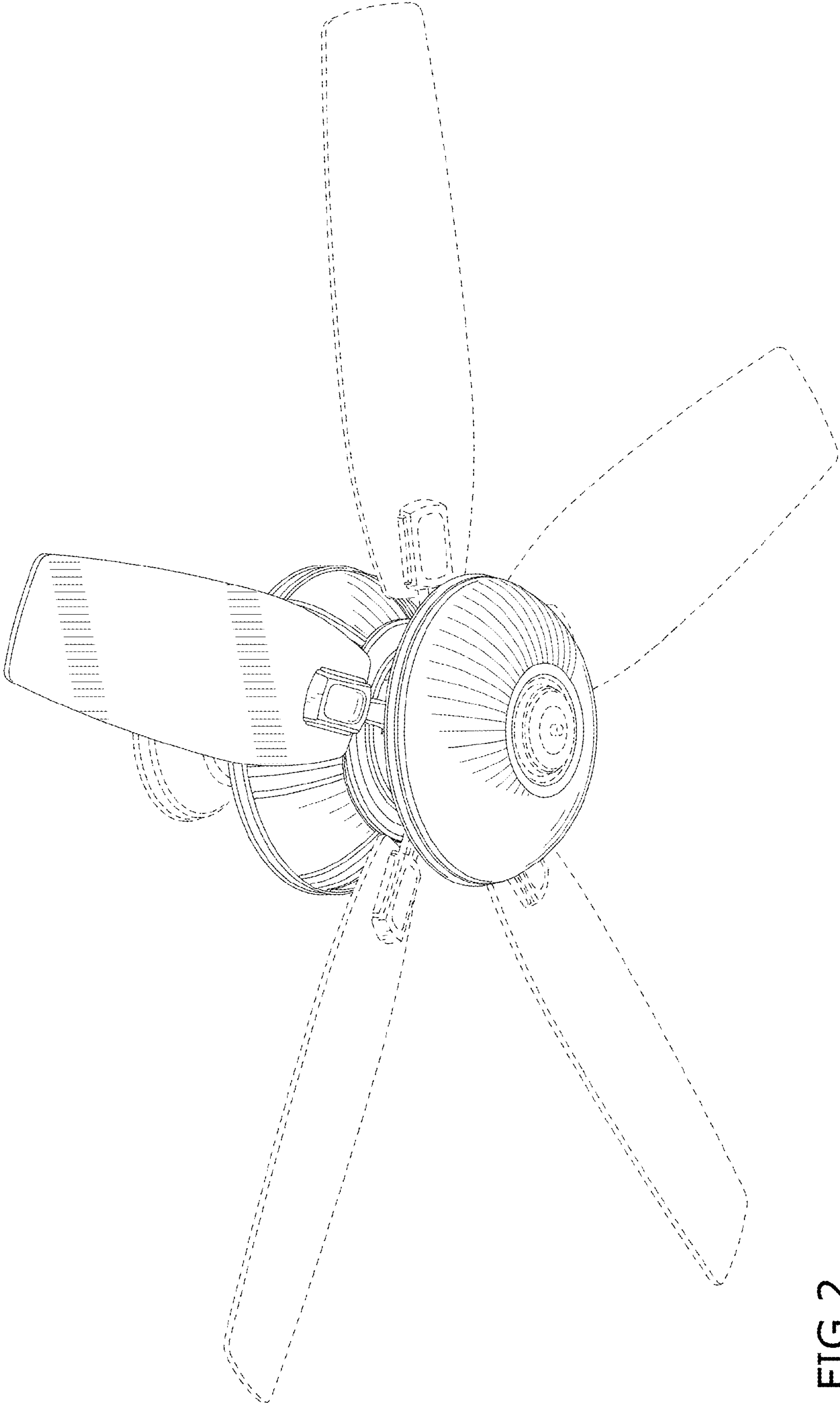


FIG.2

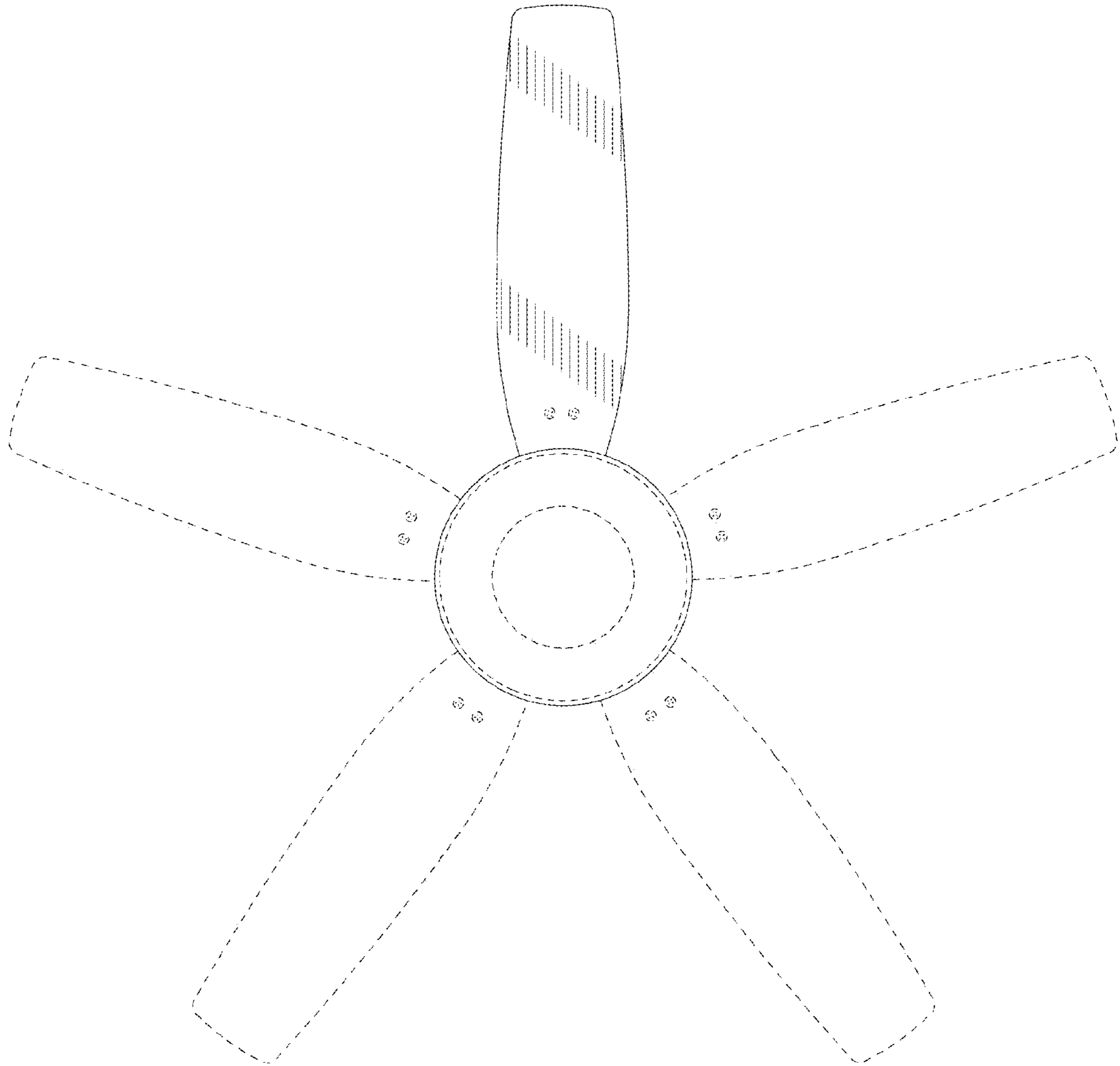


FIG. 3

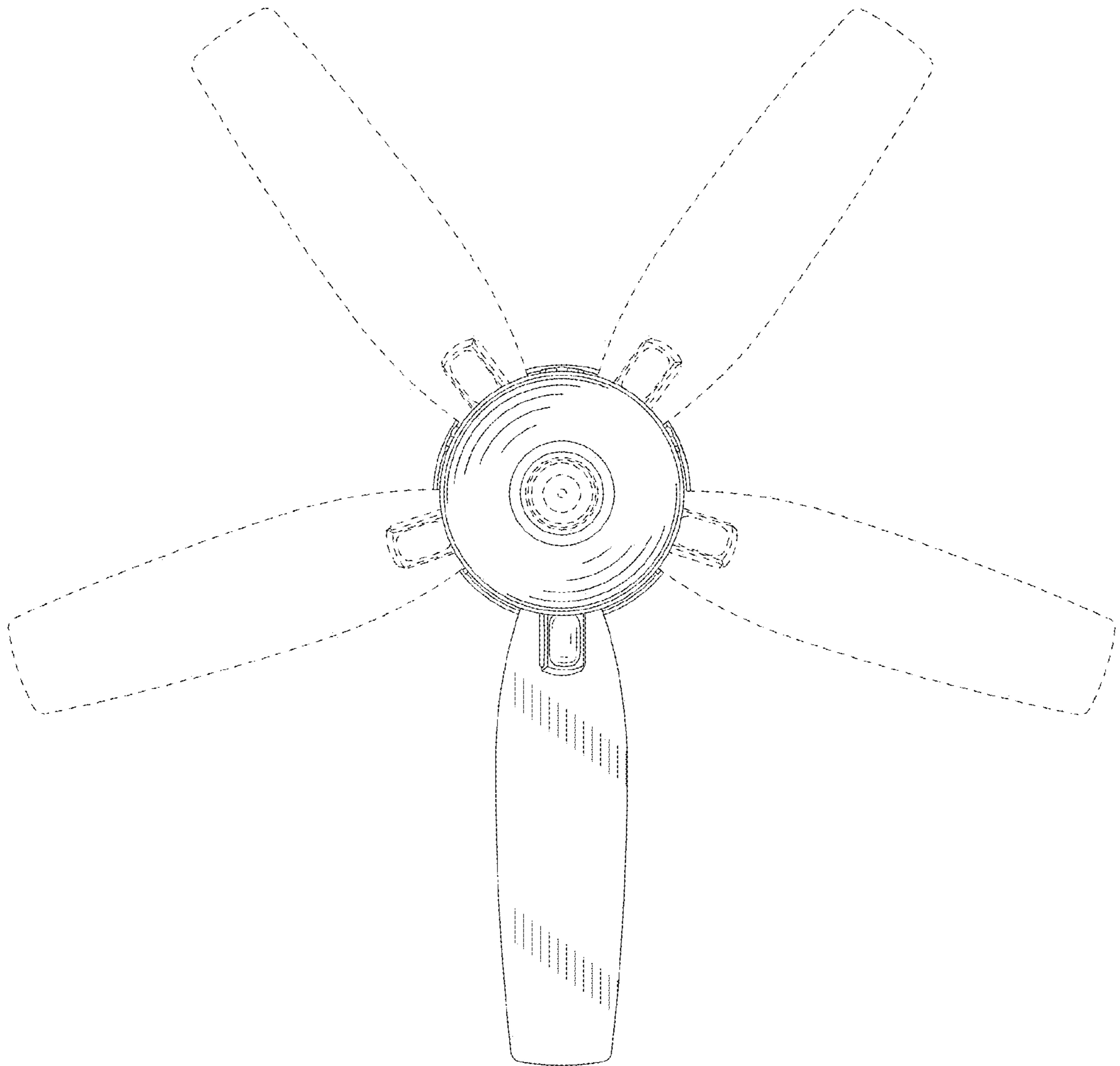


FIG. 4

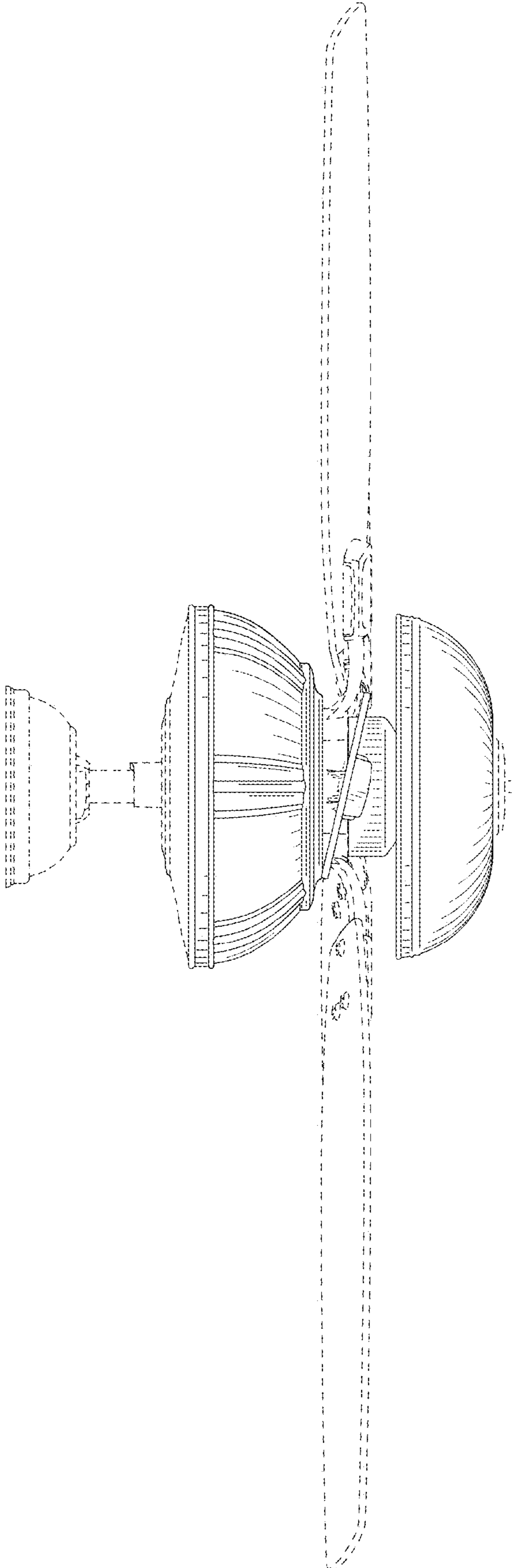


FIG. 5

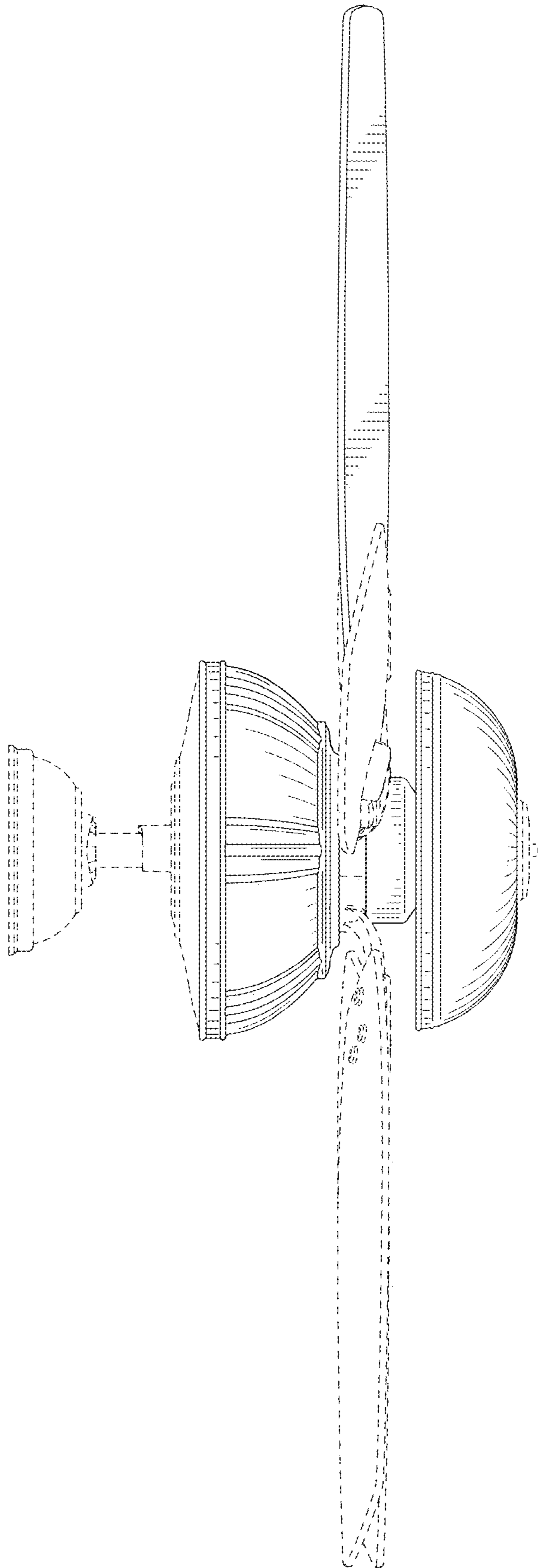


FIG.6

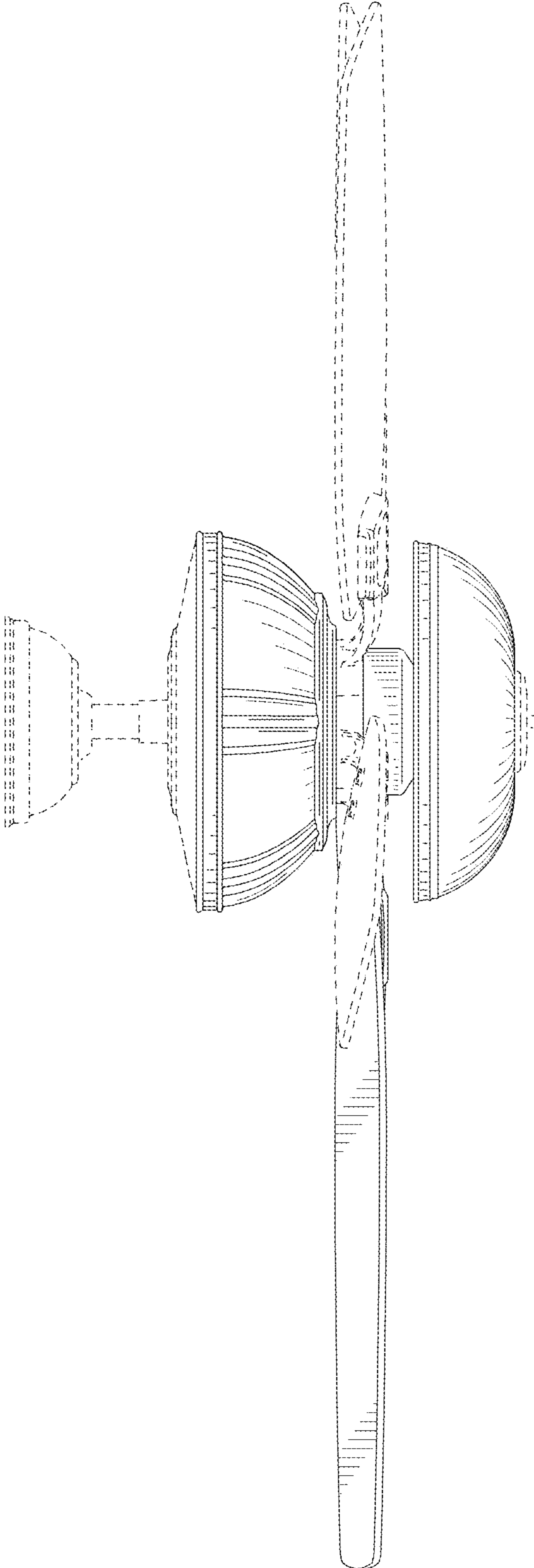


FIG.7

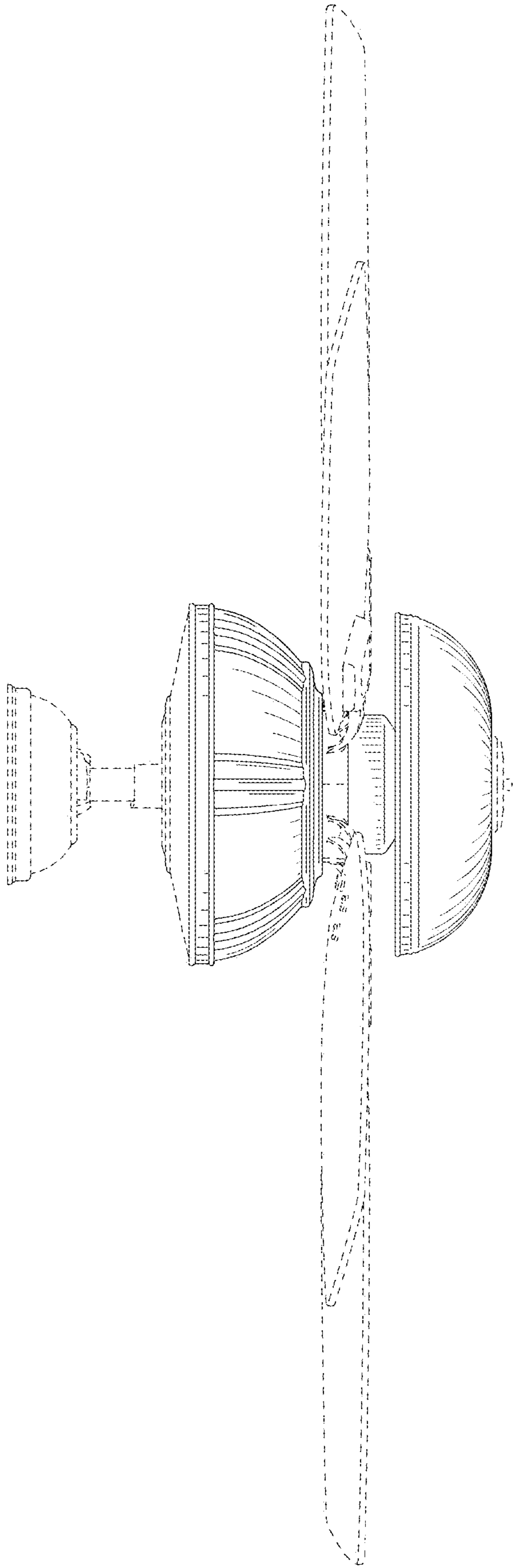


FIG. 8