

US00D878540S

(12) **United States Design Patent** (10) **Patent No.:** **US D878,540 S**  
**Holmes** (45) **Date of Patent:** **\*\* Mar. 17, 2020**

(54) **CEILING FAN**  
(71) Applicant: **HUNTER FAN COMPANY**,  
Memphis, TN (US)  
(72) Inventor: **Christine Holmes**, Memphis, TN (US)  
(73) Assignee: **Hunter Fan Company**, Memphis, TN  
(US)

D627,054 S 11/2010 Pan  
D627,870 S 11/2010 Wang  
D632,382 S 2/2011 Pan  
D671,202 S \* 11/2012 Searle ..... D23/377  
D671,631 S 11/2012 Searle  
D706,406 S 6/2014 Wang  
D707,344 S 6/2014 Wang  
D710,489 S 8/2014 Shurtleff  
(Continued)

(\*\*) Term: **15 Years**  
(21) Appl. No.: **29/582,627**  
(22) Filed: **Oct. 28, 2016**  
(51) **LOC (12) Cl.** ..... **23-04**  
(52) **U.S. Cl.**  
USPC ..... **D23/377**  
(58) **Field of Classification Search**  
USPC ..... D23/370, 377, 379, 385, 411; D26/59  
CPC ..... F04D 25/088; F21V 33/0096  
See application file for complete search history.

(56) **References Cited**  
U.S. PATENT DOCUMENTS  
D363,362 S 10/1995 Davis, Sr.  
D420,120 S 2/2000 Evans  
D449,396 S \* 10/2001 Campbell ..... D26/59  
D483,463 S 12/2003 Tai  
D485,349 S 1/2004 Bums  
D530,440 S 10/2006 Wang  
D532,104 S 11/2006 Pickett  
D535,421 S 1/2007 Pickett  
D549,319 S 8/2007 Shurtleff  
D549,813 S \* 8/2007 Gajewski ..... D23/377  
D556,939 S \* 12/2007 Gajewski ..... D26/128  
D557,787 S \* 12/2007 Gajewski ..... D23/377  
D567,421 S 4/2008 Pan  
D570,022 S \* 5/2008 Ertze ..... D26/59  
D573,245 S 7/2008 Pan  
D594,540 S \* 6/2009 Pan ..... D23/377  
D627,048 S 11/2010 Shurtleff

**OTHER PUBLICATIONS**

<http://www.fanimation.com/products/index.php/fans/distinction-dc.html>, Item Specification for Fanimation Distinction DC, Accessed Oct. 27, 2016.

(Continued)

*Primary Examiner* — Janice Hallmark  
(74) *Attorney, Agent, or Firm* — McGarry Bair PC

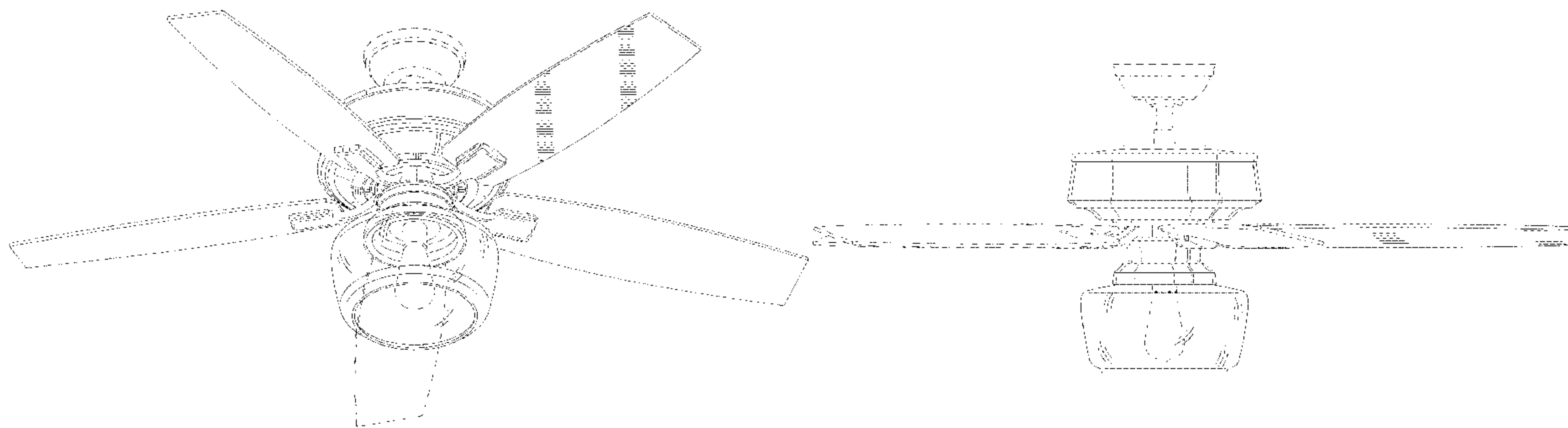
(57) **CLAIM**

The ornamental design for a ceiling fan, as shown and described.

**DESCRIPTION**

FIG. 1 is a top perspective view of a ceiling fan showing my new design of the invention;  
FIG. 2 is a bottom perspective view of the ceiling fan of FIG. 1;  
FIG. 3 is a top view of the ceiling fan of FIG. 1;  
FIG. 4 is a bottom view of the ceiling fan of FIG. 1;  
FIG. 5 is a front side view of the ceiling fan of FIG. 1;  
FIG. 6 is a rear side view of the ceiling fan of FIG. 1;  
FIG. 7 is a right side view of the ceiling fan of FIG. 1; and,  
FIG. 8 is a rear side view of the ceiling fan of FIG. 1.  
Portions of the ceiling fan are shown in broken lines. Portions shown in broken lines form no part of the claimed design.

**1 Claim, 8 Drawing Sheets**



(56)

**References Cited**

U.S. PATENT DOCUMENTS

D745,655 S 12/2015 Pickett et al.  
2017/0045197 A1\* 2/2017 Rossi ..... F21V 1/08

OTHER PUBLICATIONS

[http://www.cens.com/cens/html/en/product/product\\_main\\_77129.html](http://www.cens.com/cens/html/en/product/product_main_77129.html), Item Specification for Aquarius-champagne light series, Accessed Oct. 27, 2016.

<http://www.hunterfan.com/ceiling-fans/estate-winds>, Item Specification for Hunter Estate Winds—56" Ceiling Fan, Accessed Oct. 27, 2016.

<http://www.kingoffans.com/#/products>, Item Specification for Hampton Bay Carlisle 52" Ceiling Fan, Accessed Oct. 27, 2016.

<http://ceilingfans.emerson.com/shop/en/fan/veloce-fan-p-cf230>, Item Specification for Emerson Veloce 46" Ceiling Fan, Accessed Oct. 27, 2016.

<http://www.craftmade.com/Craftmade-PUH52OB-Oiled-Bronze-Flush-Mount-Ceiling-Fan.HTM>, Item Specification for Craftmade PUH52OB—Pro Universal Hugger, Accessed Oct. 27, 2016.

\* cited by examiner

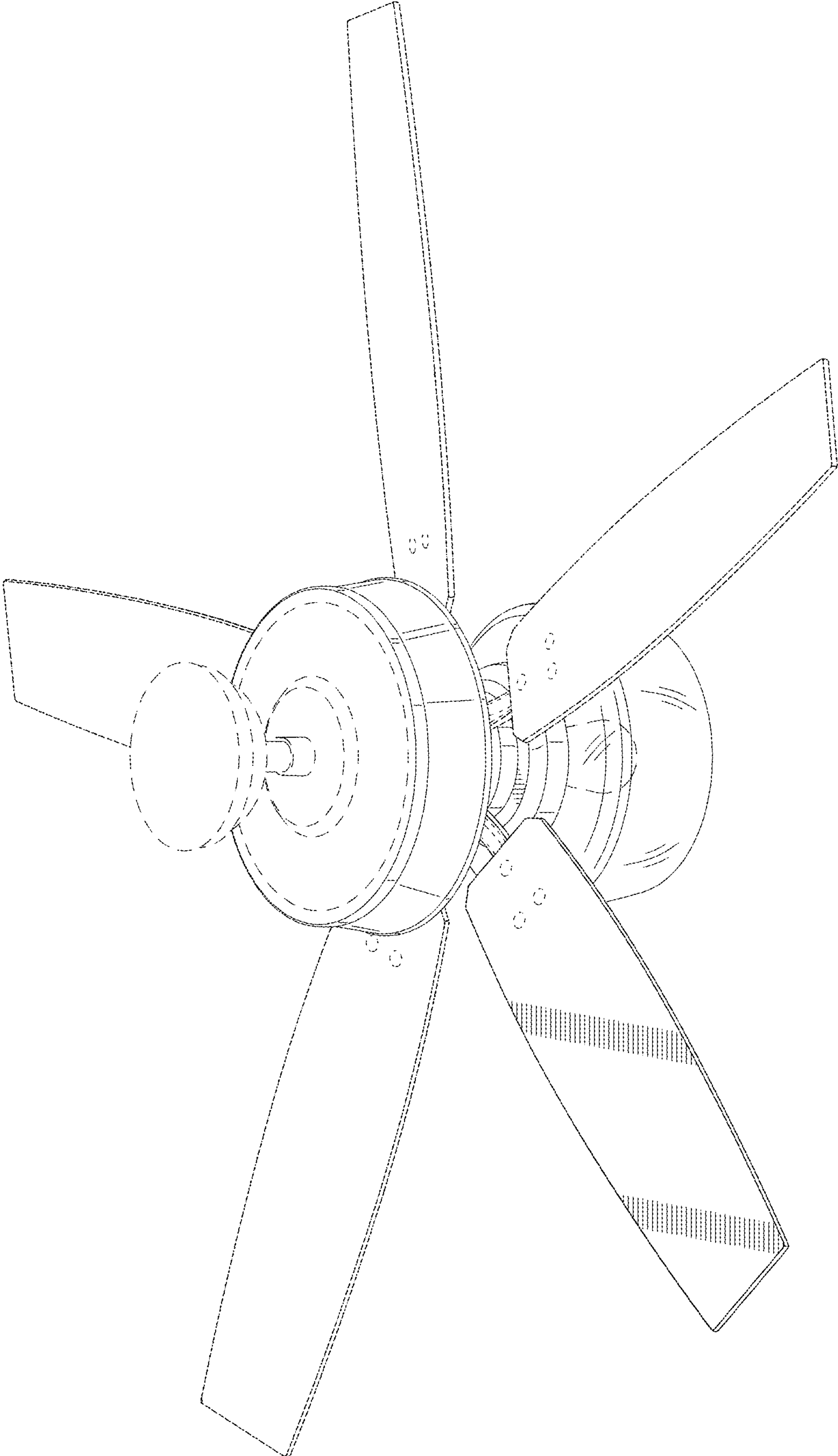


FIG.1

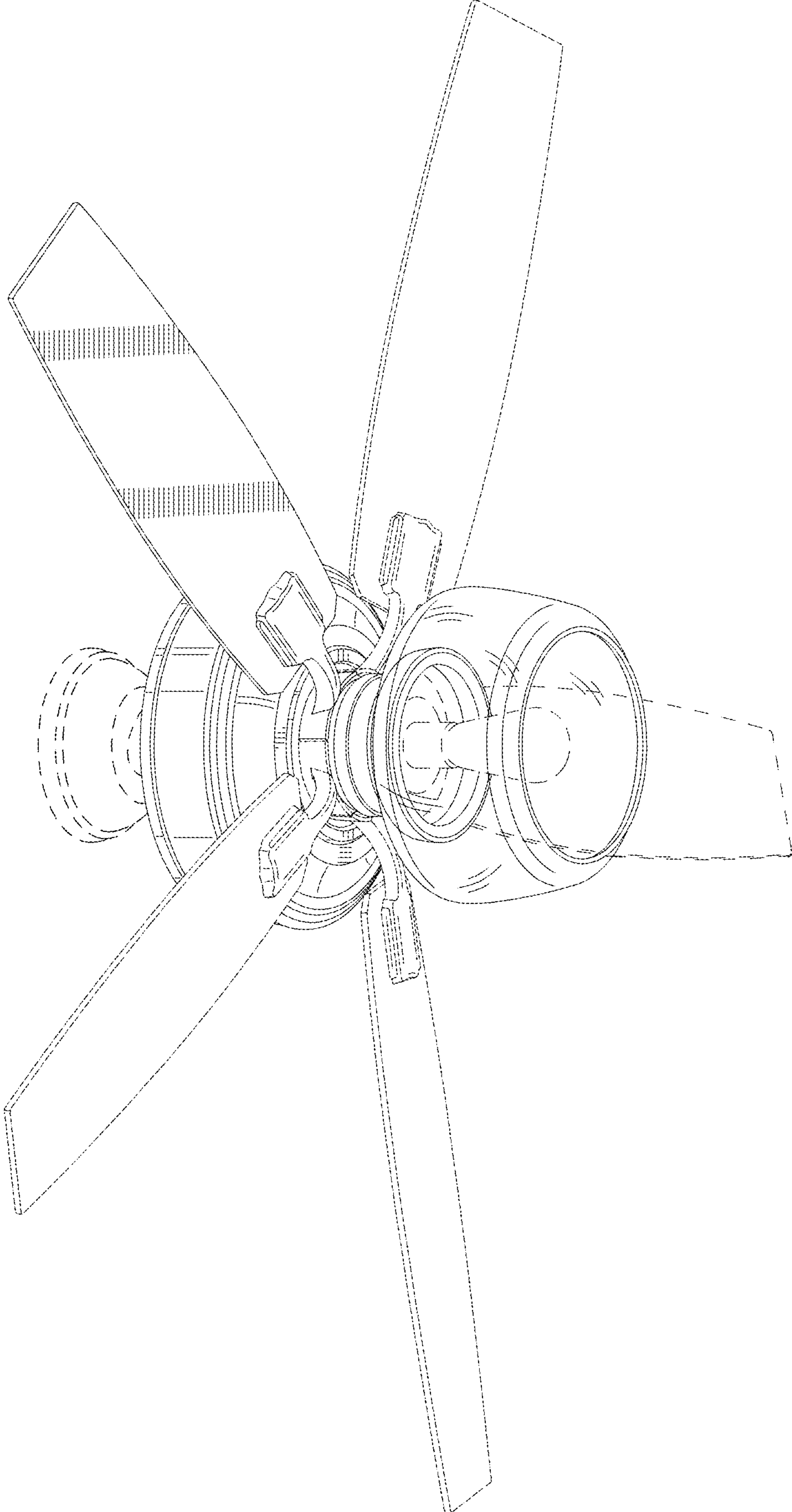


FIG.2

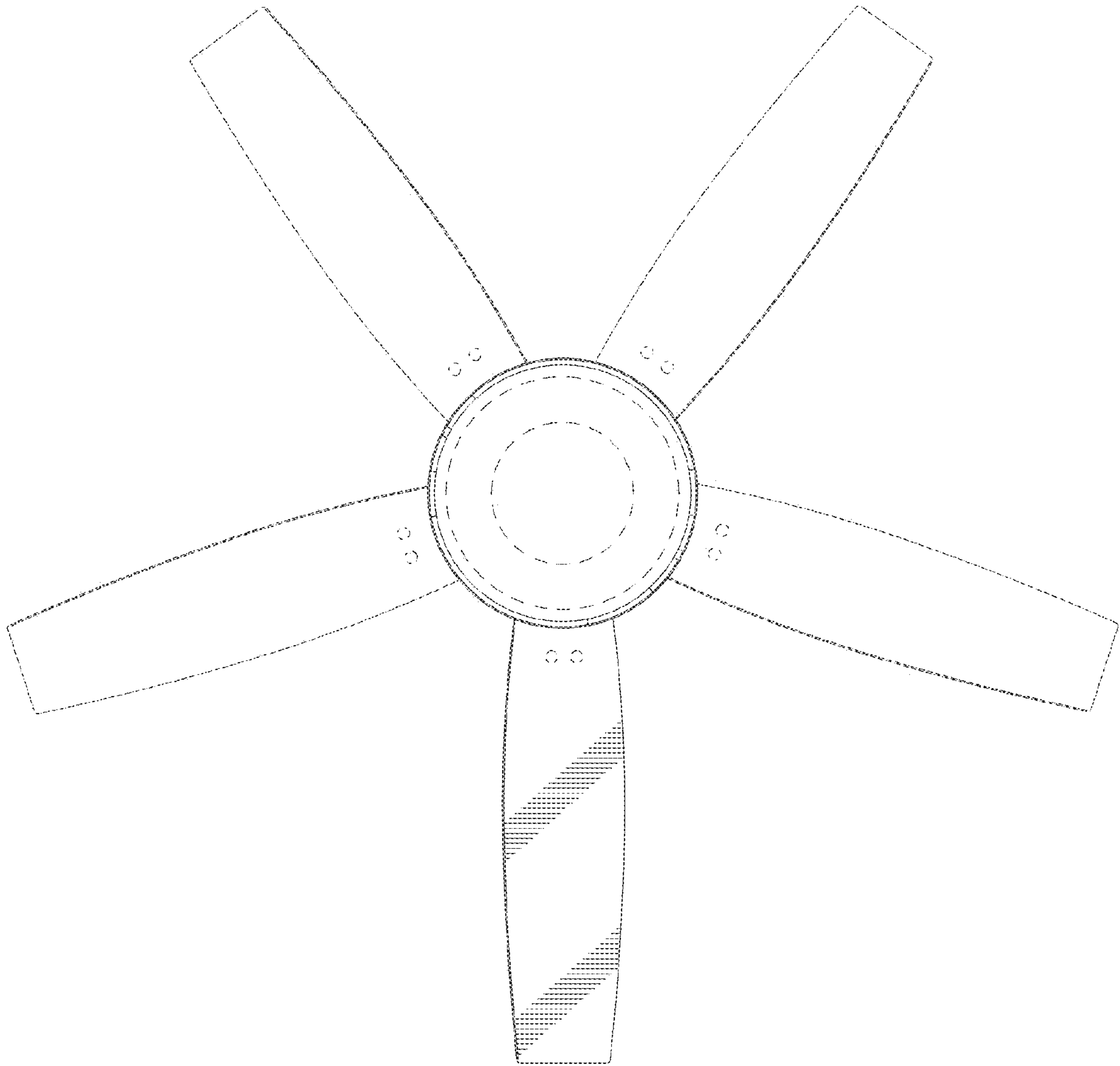


FIG.3



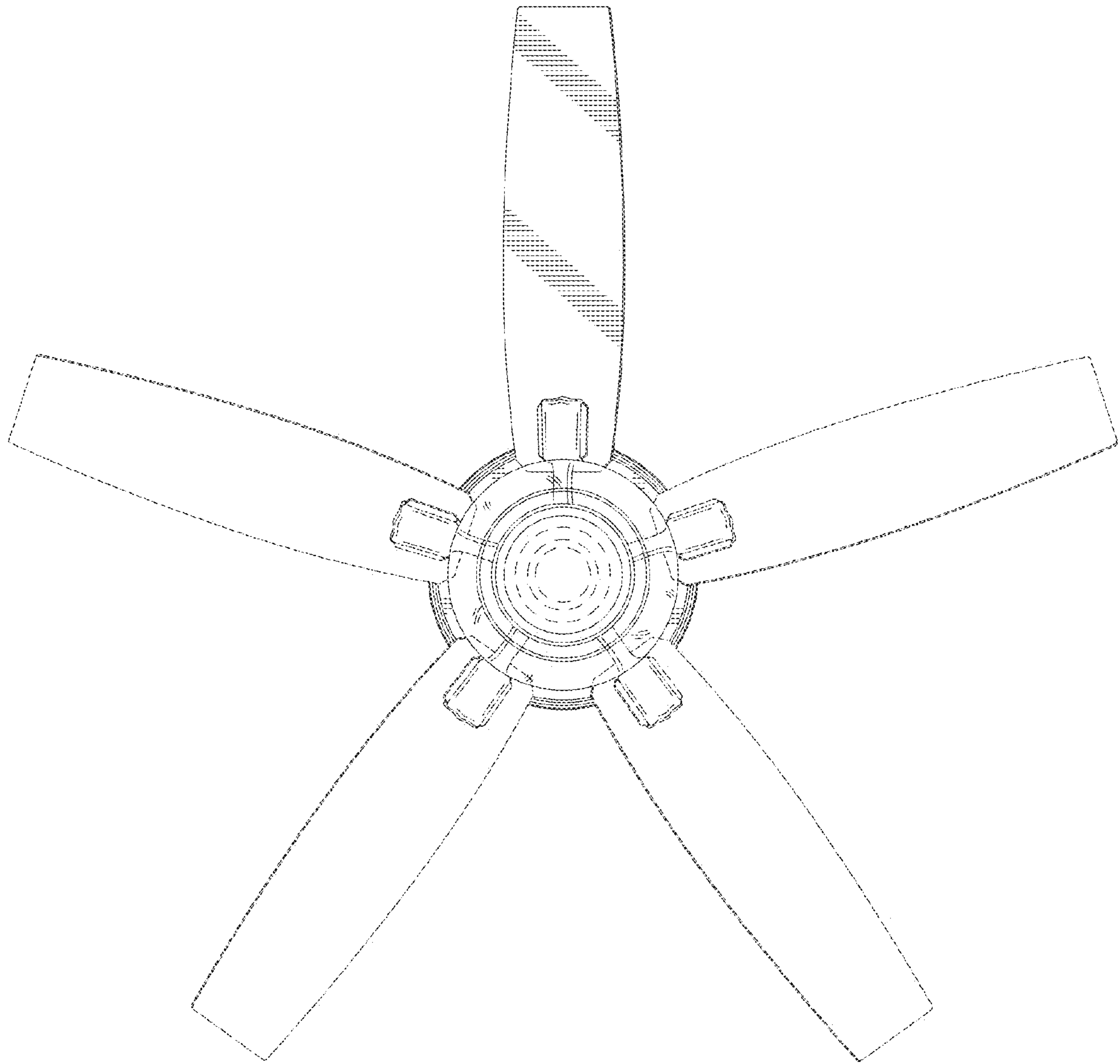


FIG.4

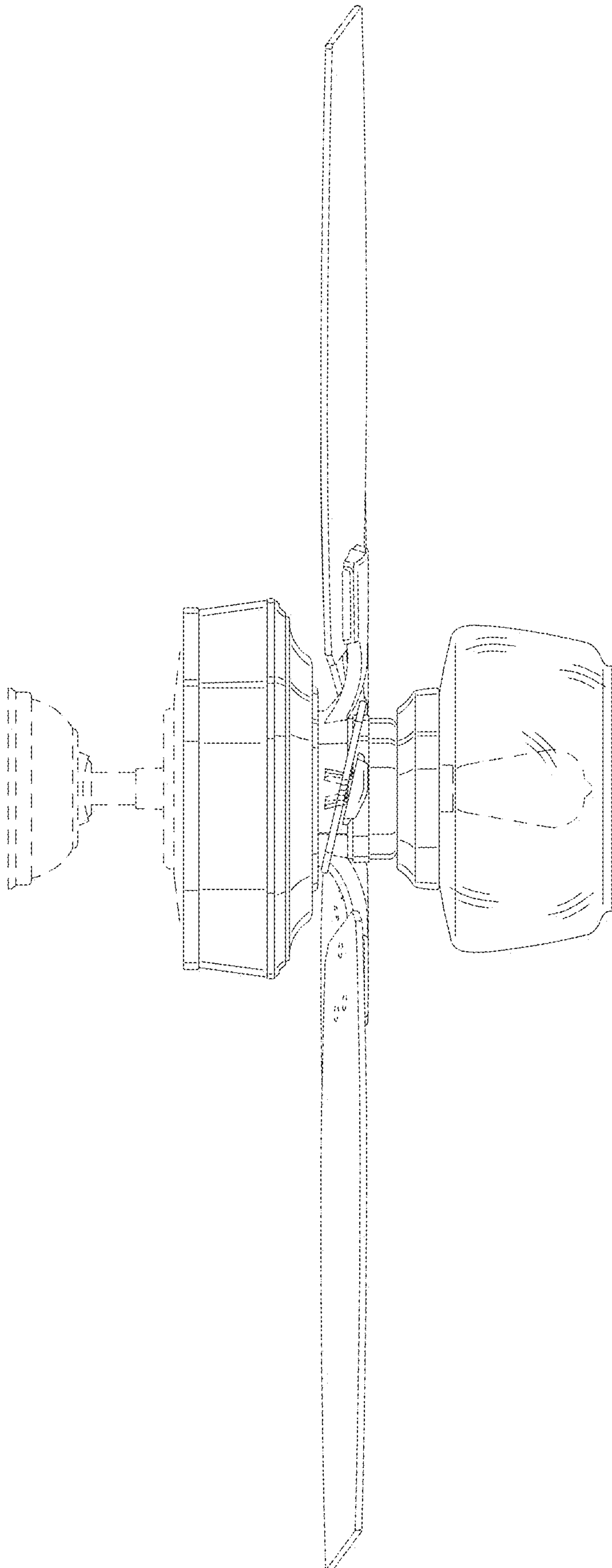


FIG. 5

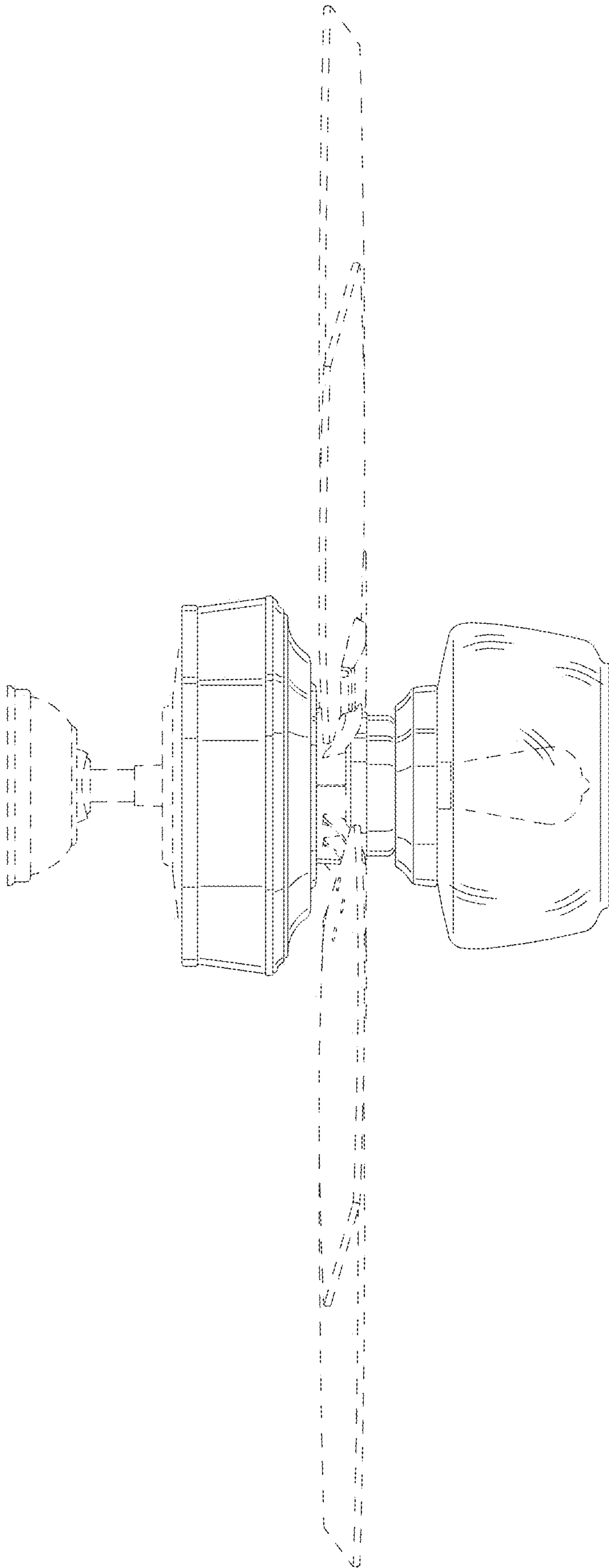


FIG.6



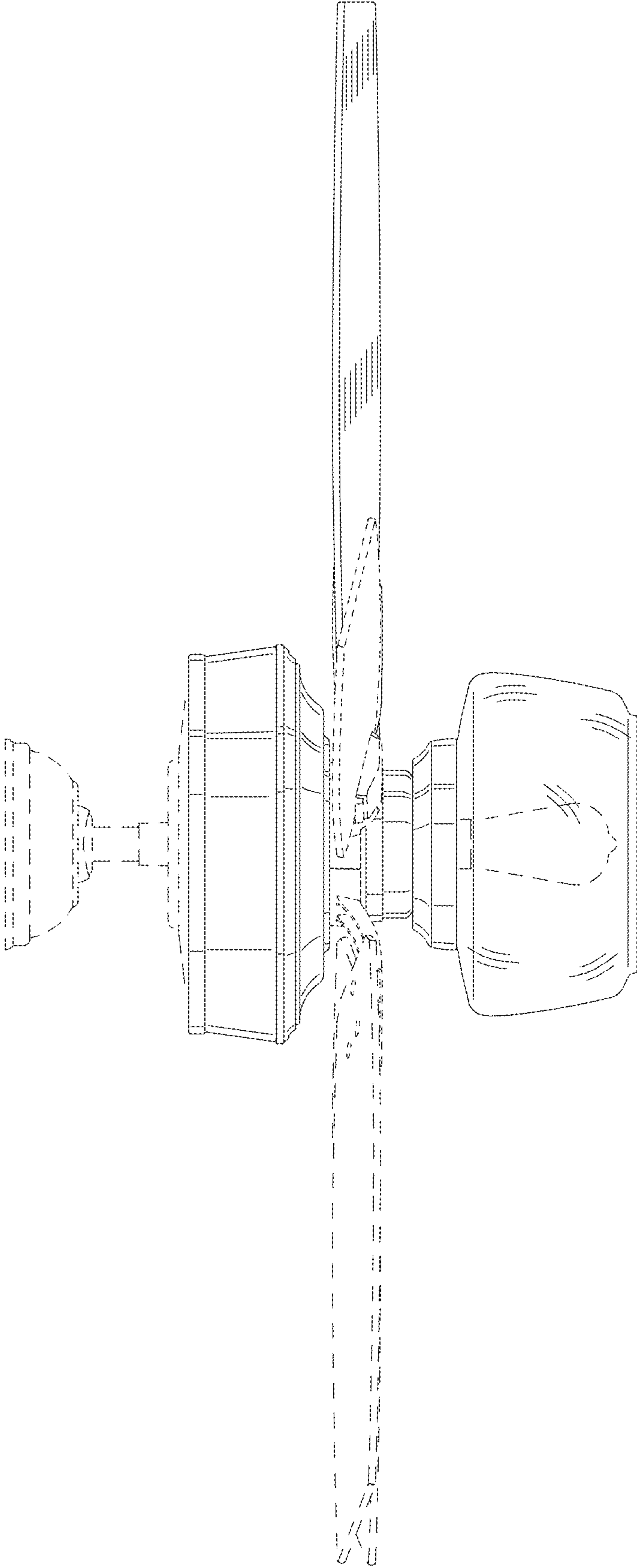


FIG.7

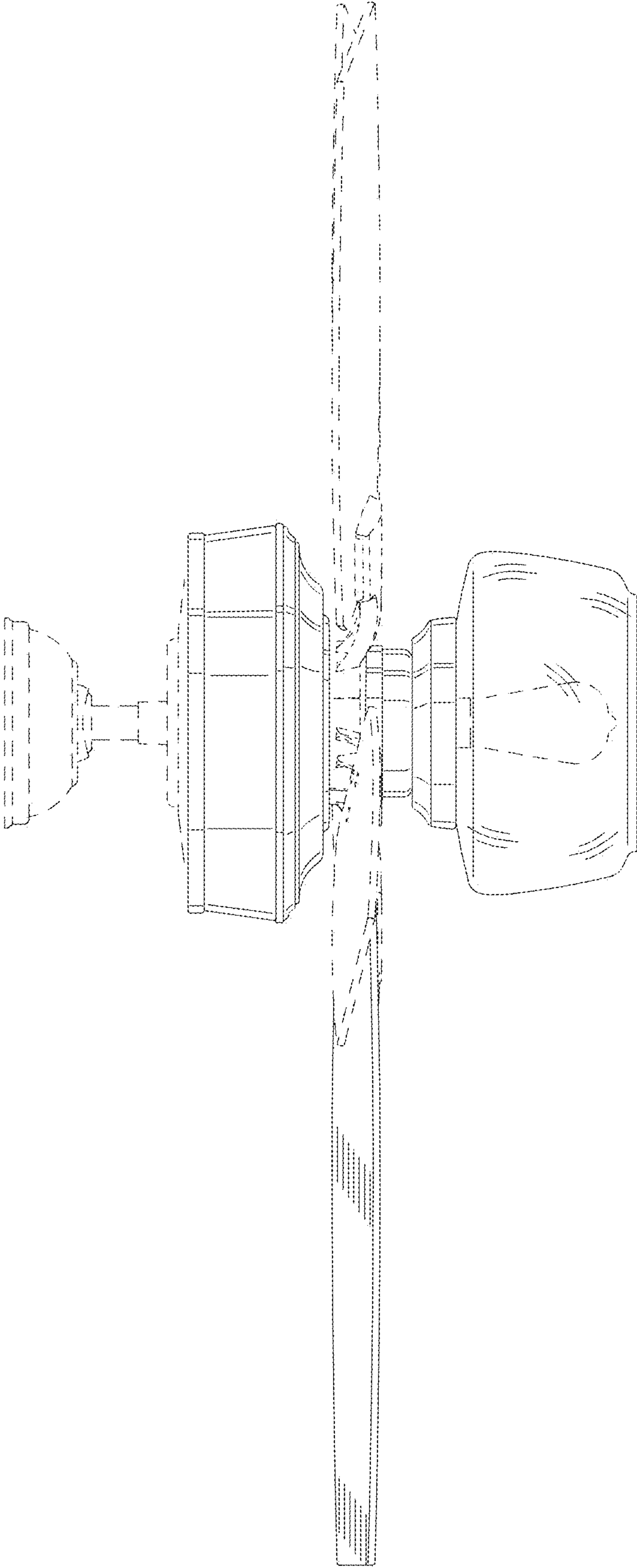


FIG. 8