

US00D878539S

(12) **United States Design Patent**
Lu

(10) **Patent No.:** **US D878,539 S**

(45) **Date of Patent:** **** Mar. 17, 2020**

(54) **CAR DIFFUSER CLIP**

(71) Applicant: **ShenZhenShi KeNuoYi Technology Co., Ltd.**, Shenzhen (Guangdong Province) (CN)

(72) Inventor: **Jiao Lu**, Shenzhen (CN)

(73) Assignee: **ShenZhenShi KeNuoYi Technology Co., Ltd.**, Shenzhen (CN)

(**) Term: **15 Years**

(21) Appl. No.: **29/663,470**

(22) Filed: **Sep. 15, 2018**

(51) **LOC (12) Cl.** **23-99**

(52) **U.S. Cl.**
USPC **D23/368**; D12/415

(58) **Field of Classification Search**
USPC D12/117, 122, 415; D8/394, 395;
D23/355-369, 207, 208, 388
CPC A61L 9/00; A61L 9/02; A61L 9/03; A61L
9/034; A61L 9/04; A61L 9/12; A61L
9/032; A61L 9/122; A61L 9/127; A61L
9/22; B01D 46/00; B01D 46/0002; B01D
46/20; F02M 35/04; F24F 13/20; A62B
21/00

See application file for complete search history.

(56) **References Cited**

U.S. PATENT DOCUMENTS

D385,344 S	*	10/1997	Green	D23/366
D422,350 S	*	4/2000	Wu	D23/366
D532,893 S	*	11/2006	Wu	D23/366
D544,088 S	*	6/2007	Wu	D23/368
D549,812 S	*	8/2007	Fellows	D23/366
D550,828 S	*	9/2007	Wu	D23/366
D550,829 S	*	9/2007	Buthier	D23/367
D551,333 S	*	9/2007	Wu	D23/366
D554,746 S	*	11/2007	Davis	D23/366
D555,778 S	*	11/2007	Fellows	D23/366

D629,881 S	*	12/2010	Valentino	D23/368
D650,891 S	*	12/2011	Freeborn	D23/366
D658,753 S	*	5/2012	Zhang	D23/366
D660,950 S	*	5/2012	Finlay	D23/366
D715,915 S	*	10/2014	Schouten	A61L 9/03 D23/368
D724,193 S	*	3/2015	Esses	D23/366
D751,683 S	*	3/2016	Furner	D23/368

(Continued)

OTHER PUBLICATIONS

Meta Fashion Girl Women Jewelry Stainless Steel Hexagon Car Aroma Aromatherapy Essential Oil Car Diffuser Locket Vent Clip Lady Unisex Special purchase Ck7-7, PrecisePlasteringMiddlesbrough.co.uk, [online], [site visited Oct. 24, 2019]. <URL: <http://www.preciseplasteringmiddlesbrough.co.uk/Metal-Fashion>> (Year: 2019).*

(Continued)

Primary Examiner — T Chase Nelson

Assistant Examiner — Jonathan J. Han

(74) *Attorney, Agent, or Firm* — Yong Chen

(57)

CLAIM

The ornamental design for a car diffuser clip, as shown and described.

DESCRIPTION

FIG. 1 is a front view of a car diffuser clip of the present invention.

FIG. 2 is a back view thereof.

FIG. 3 is a left view thereof.

FIG. 4 is a right view thereof.

FIG. 5 is a top view thereof.

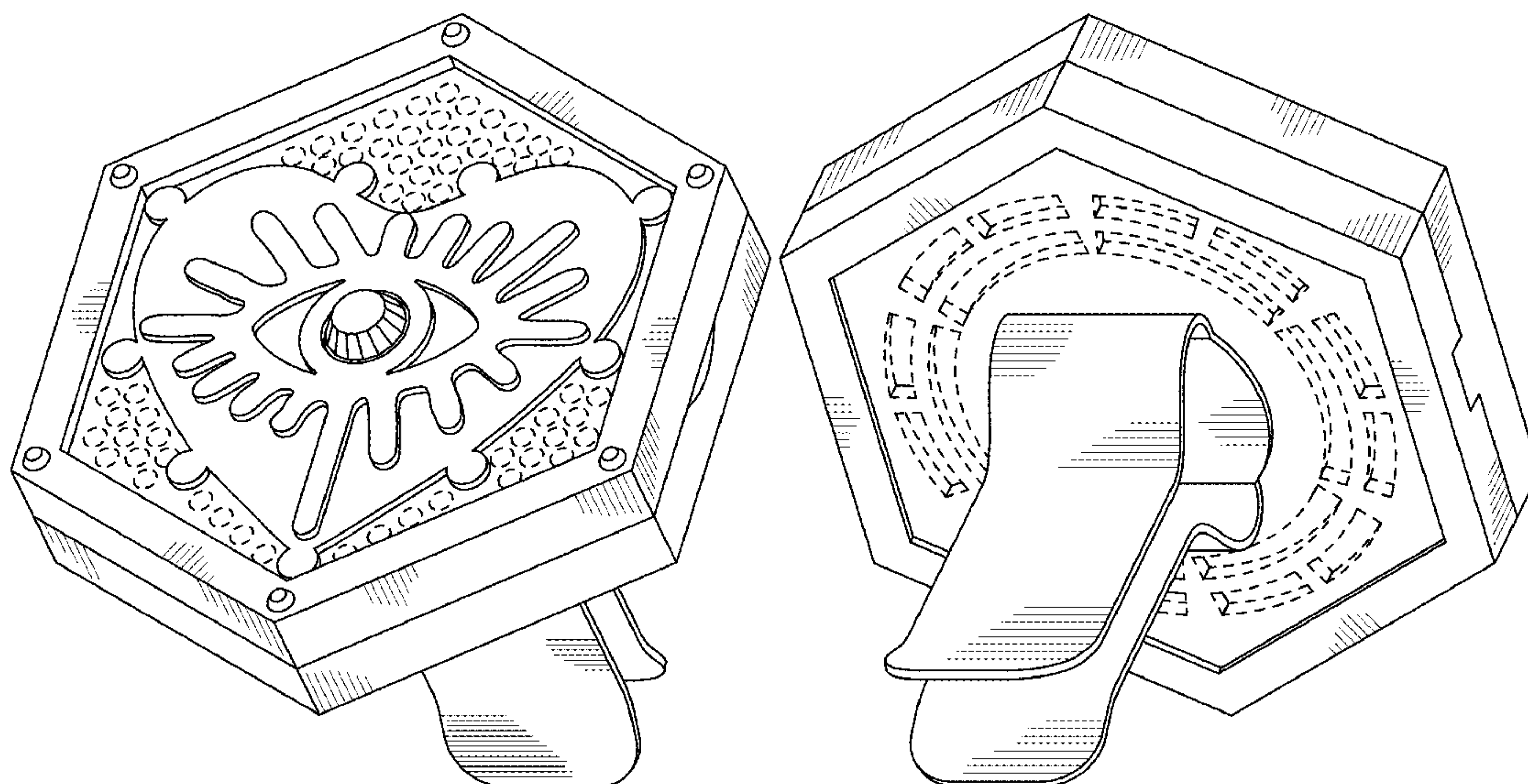
FIG. 6 is a bottom view thereof.

FIG. 7 is a first perspective view thereof; and,

FIG. 8 is a second perspective view thereof.

The broken lines in the drawings illustrate portions of the car diffuser clip that form no part of the claimed design.

1 Claim, 8 Drawing Sheets



(56)

References Cited

U.S. PATENT DOCUMENTS

D780,667	S	*	3/2017	Kim	D12/415
D803,377	S	*	11/2017	Gobber	D23/366
D804,006	S	*	11/2017	Gobber	D23/366
D816,823	S	*	5/2018	Gobber	D23/366
D820,964	S	*	6/2018	Servaire	D23/366
D825,733	S	*	8/2018	Gobber	D23/367
D835,744	S	*	12/2018	Lazar	D22/108
D843,307	S	*	3/2019	Jung	D12/415
D843,308	S	*	3/2019	Jung	D12/415
D850,599	S	*	6/2019	Gobber	D23/368
D850,600	S	*	6/2019	Gobber	D23/368
D850,889	S	*	6/2019	Esses	D8/349
D860,787	S	*	9/2019	Krokonko	D9/435
D860,937	S	*	9/2019	Slaatto	D13/108

OTHER PUBLICATIONS

Yes Sail Boat Design Stainless Steel Hexagon Car Aroma Aromatherapy Essential Oil Car Diffuser Locket Vent Clip Other Order cheap Yh9-2, ParksideFabrications.co.uk, [online], [site visited Oct. 24, 2019]. <URL: <http://www.parksidefabrications.co.uk/Yes-Sail-Boat-Design-St>> (Year: 2019).*

4PCS Aromatherapy Essential Oil Car Diffuser Car Fragrance Diffuser Locket Air Freshener Car Diffuser Vent Clip with 60 Refill Pads, Amazon.com, [online], [site visited Oct. 24, 2019]. <URL: https://www.amazon.com/dp/B07P8NMR65/ref=sspa_dk_detail_4?psc=1&pd_rd_i=B07P8NMR65&> (Year: 2019).*

RoyAroma Essential Oil Car Diffuser Stainless Steel Hexagon Sunflower Locket Vent Clip with 16PCS Felt Pads, Amazon.com, [online], [site visited Oct. 24, 2019]. <URL: <https://www.amazon.com/RoyAroma-Essential-Stainless-Sunflower-Freshener/dp/B07HRBNXHC>> (Year: 2019).*

* cited by examiner

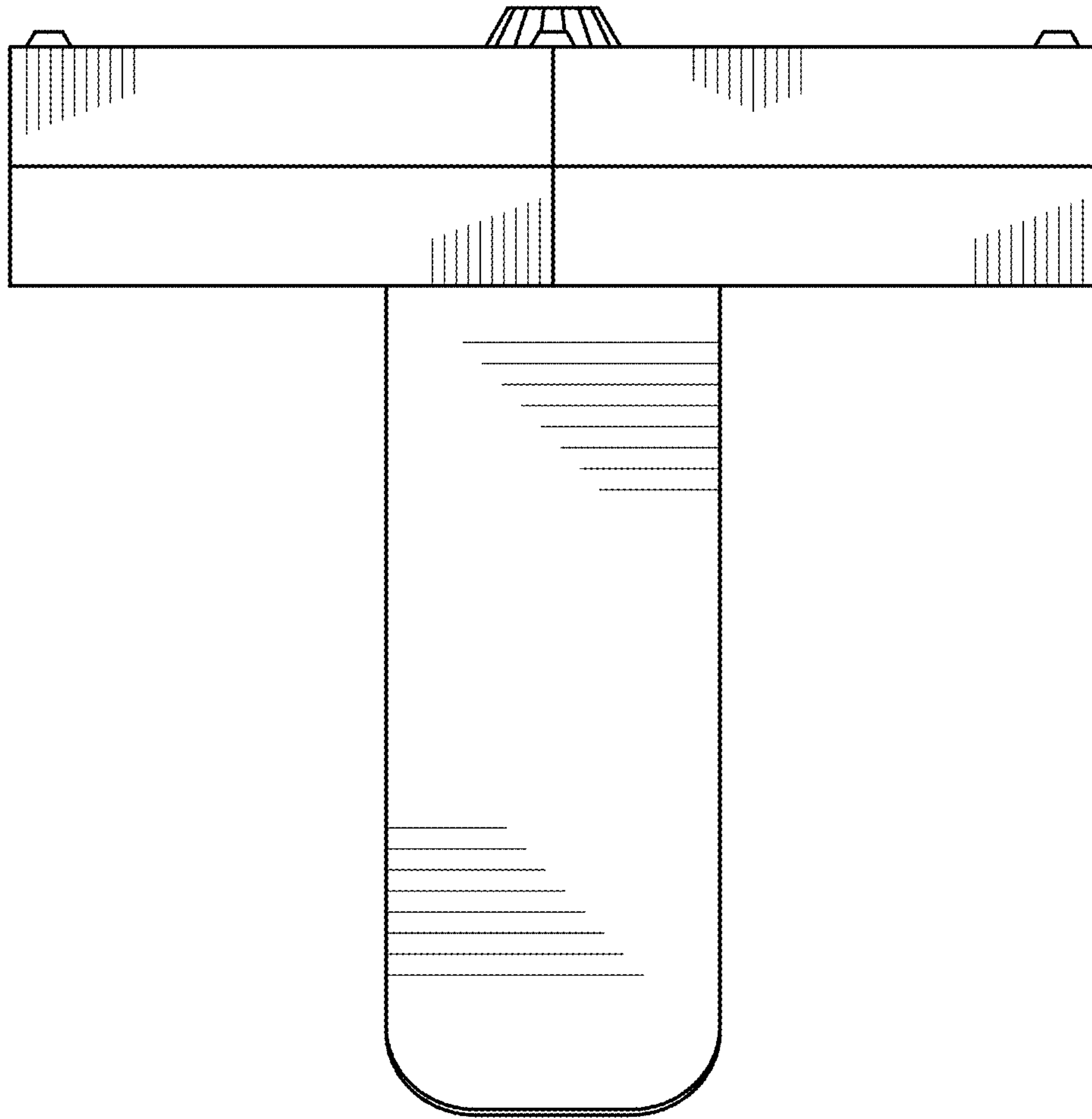


FIG. 1

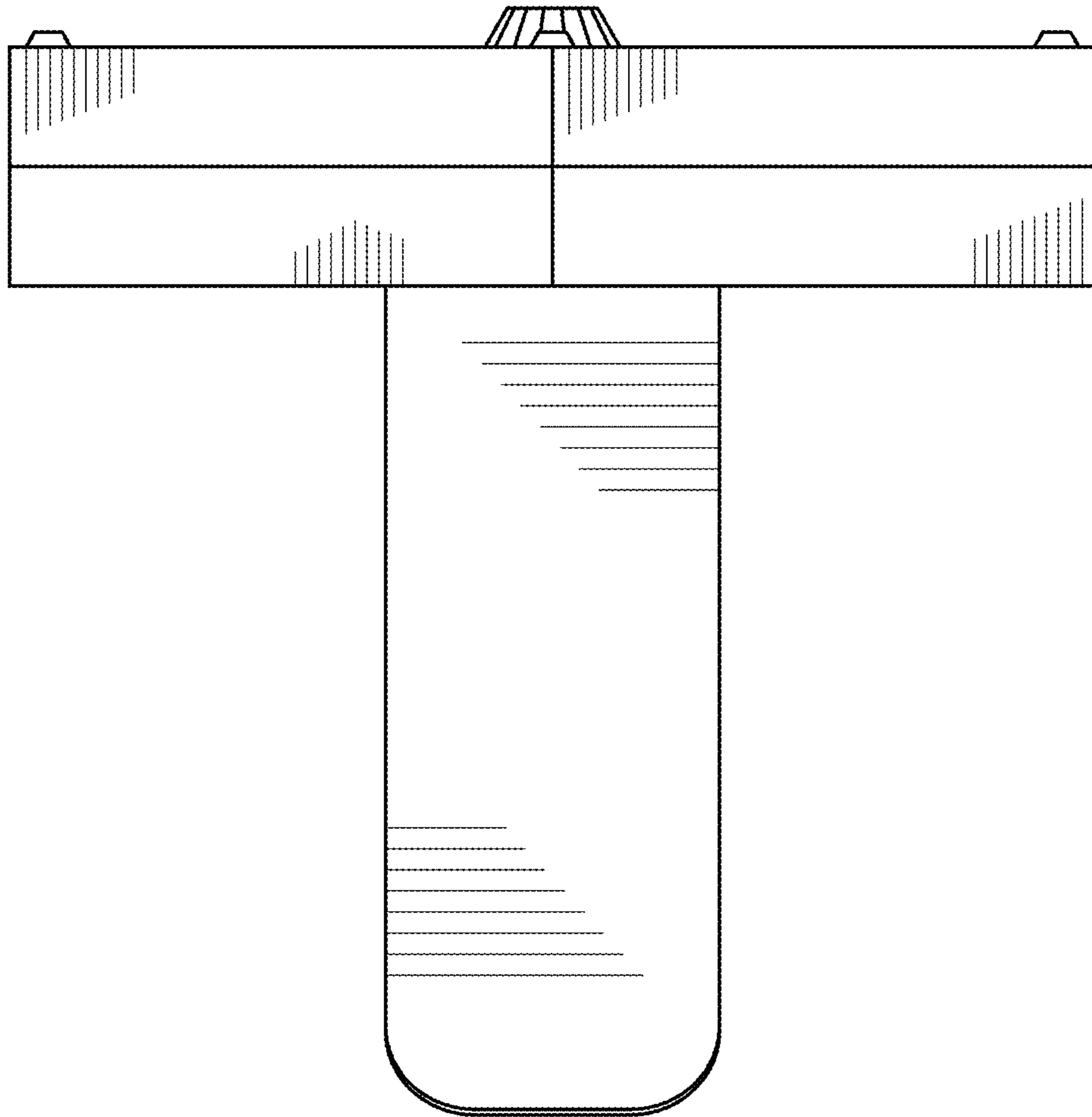


FIG. 2

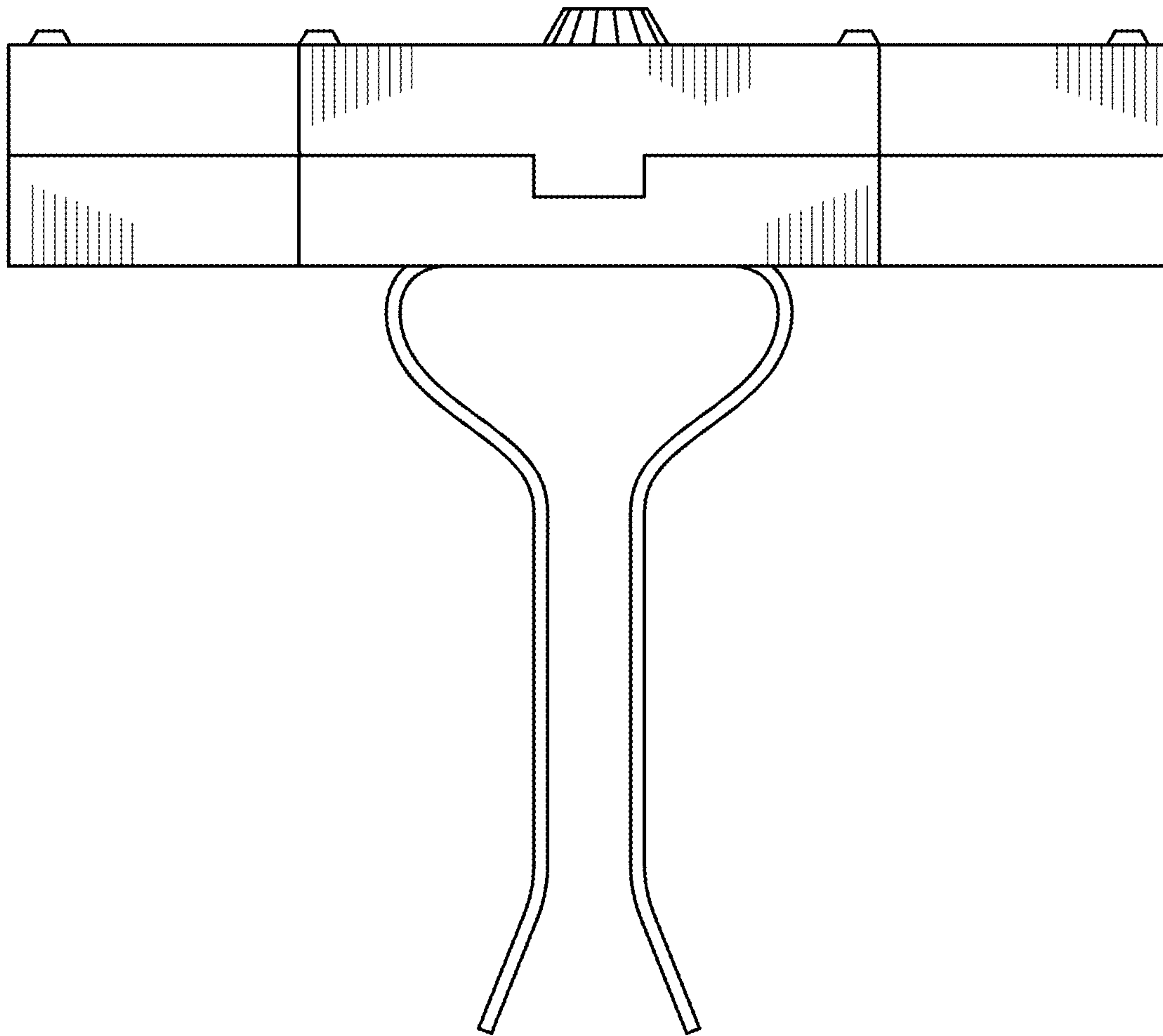


FIG. 3

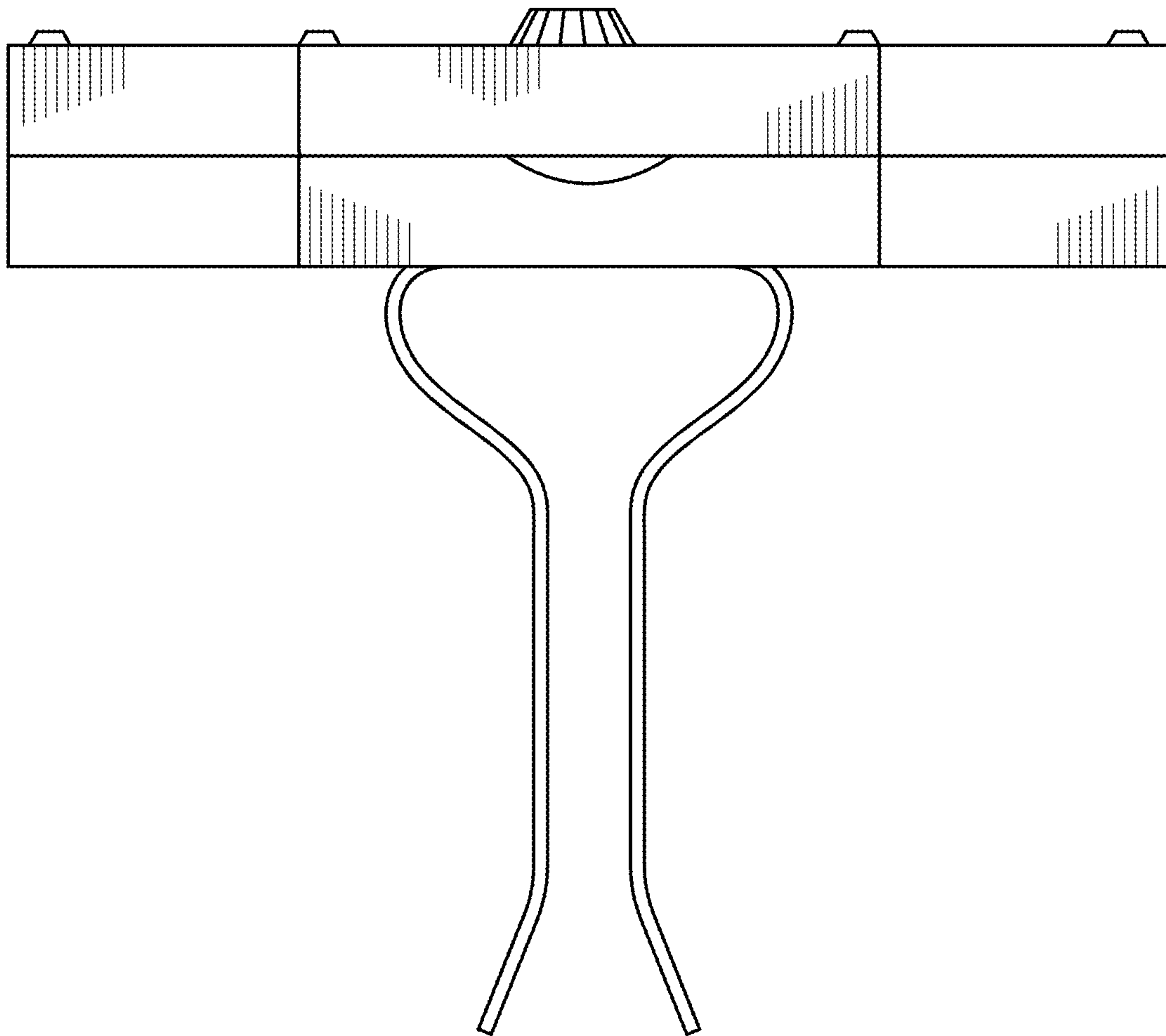


FIG. 4

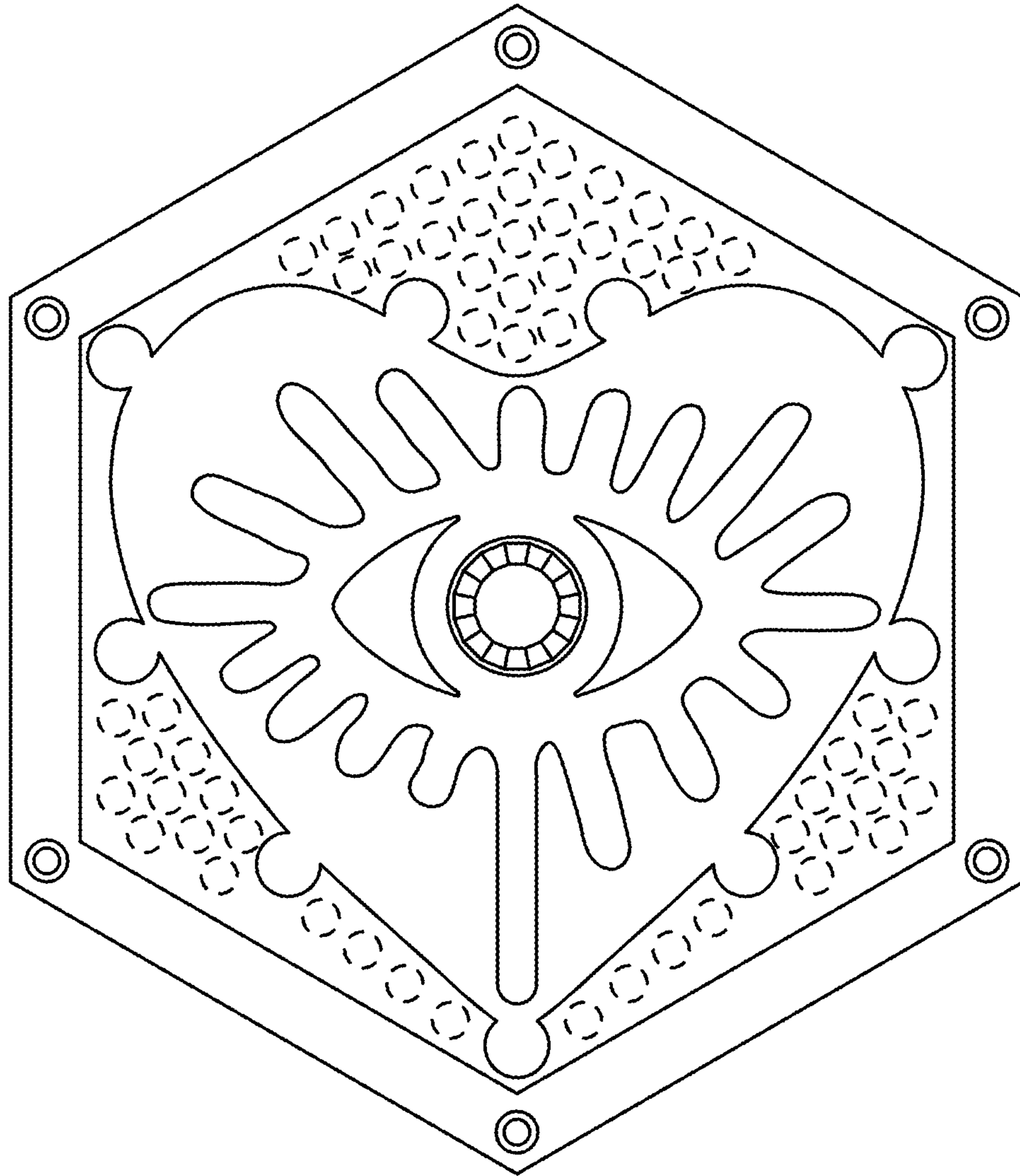


FIG. 5

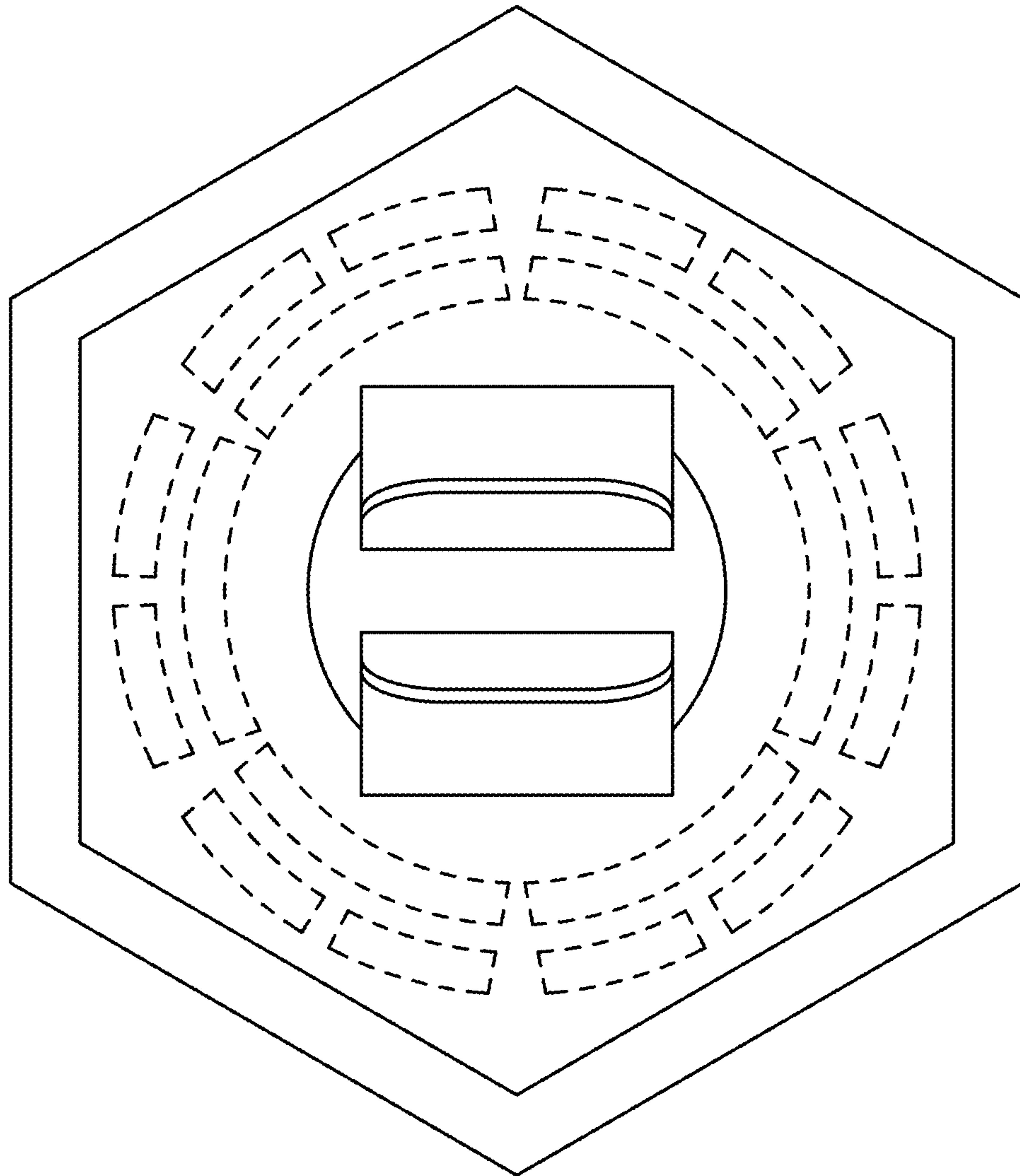


FIG. 6

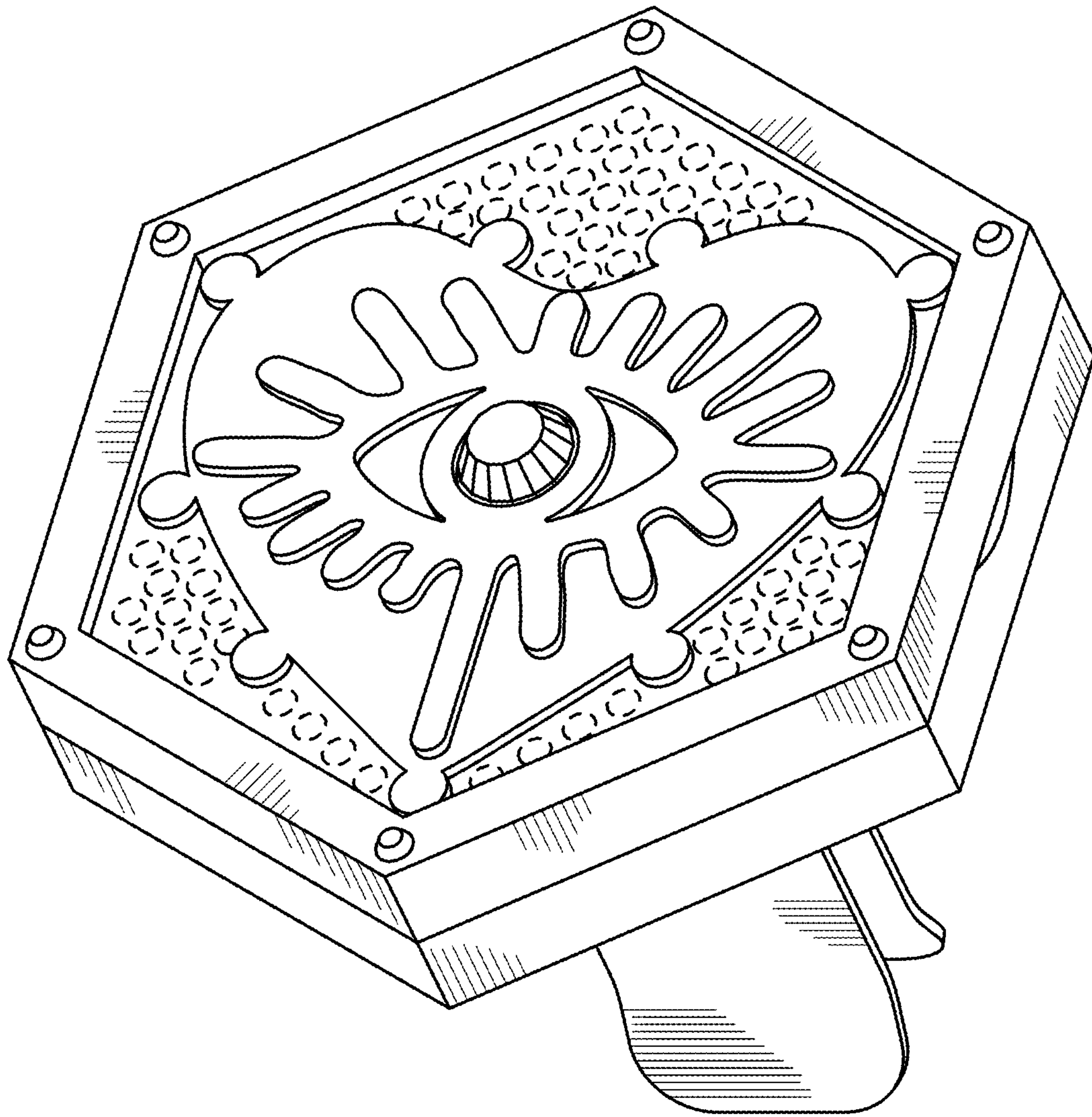


FIG. 7

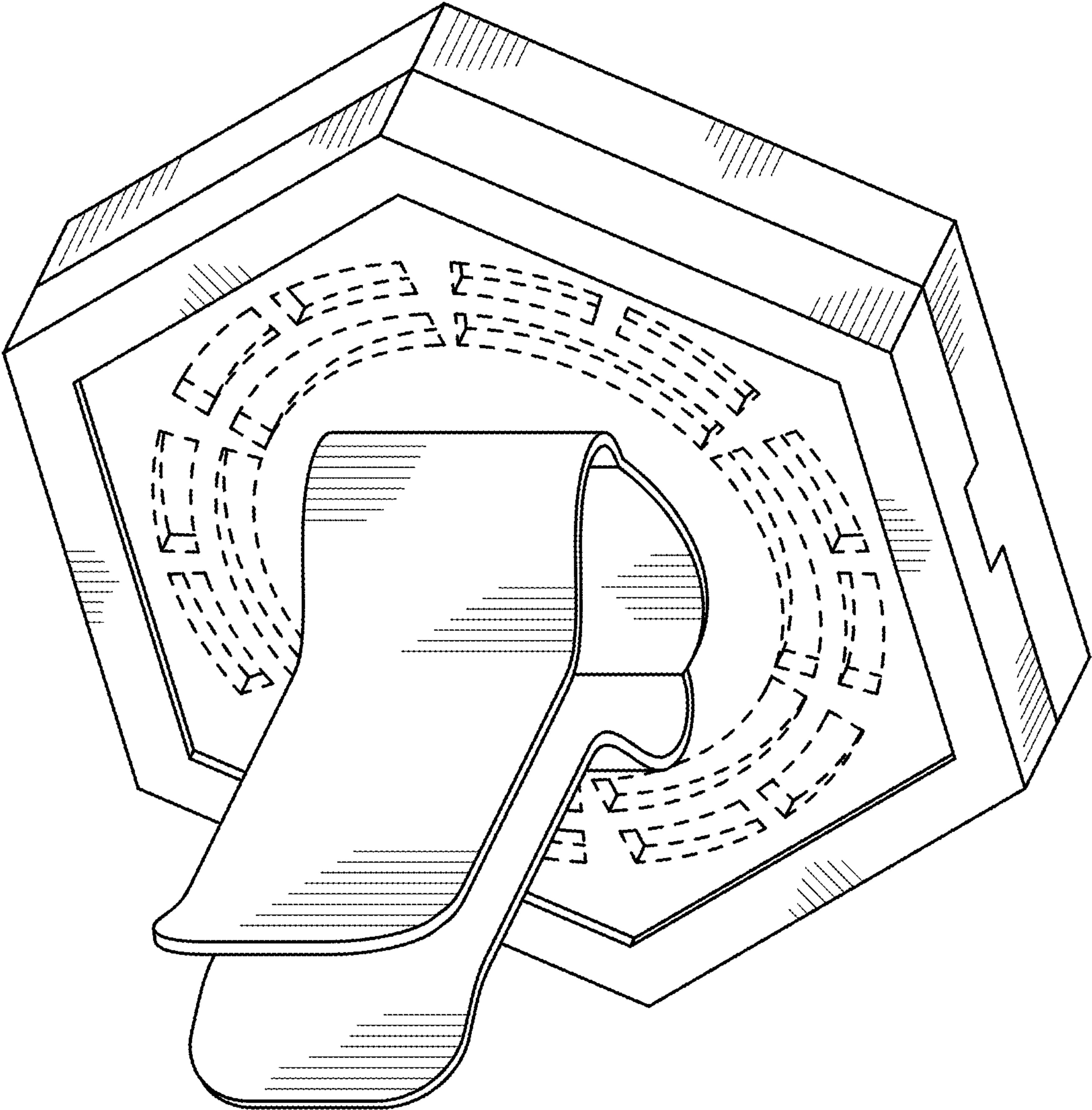


FIG. 8