



US00D878535S

(12) **United States Design Patent**
Brandenburg

(10) **Patent No.:** **US D878,535 S**
(45) **Date of Patent:** **** Mar. 17, 2020**

(54) **AIR FRESHENER CONTAINER ASSEMBLY**

(74) *Attorney, Agent, or Firm* — Rogowski Law LLC

(71) Applicant: **Brandywine Product Group International, Inc.**, Wilmington, DE (US)

(57) **CLAIM**

The ornamental design for an air freshener container assembly, as shown and described.

(72) Inventor: **Kyle Brandenburg**, Middletown, DE (US)

DESCRIPTION

(73) Assignee: **Brandywine Product Group International, Inc.**, Wilmington, DE (US)

FIG. 1 is a right front perspective view of an air freshener container assembly;
FIG. 2 is a top plan view of the air freshener container assembly of FIG. 1;
FIG. 3 is a bottom plan view of the air freshener container assembly of FIG. 1;
FIG. 4 is right side elevational view of the air freshener container assembly of FIG. 1;
FIG. 5 is a left side elevational view of the air freshener container assembly of FIG. 1;
FIG. 6 is a front elevational view of the air freshener container assembly of FIG. 1;
FIG. 7 is a rear elevational view of the air freshener container assembly of FIG. 1;
FIG. 8 is a right front perspective view of an air freshener container assembly;
FIG. 9 is a top plan view of the air freshener container assembly of FIG. 8;
FIG. 10 is a bottom plan view of the air freshener container assembly of FIG. 8;
FIG. 11 is a right side elevational view of the air freshener container assembly of FIG. 8;
FIG. 12 is a left side elevational view of the air freshener container assembly of FIG. 8;
FIG. 13 is a front elevational view of the air freshener container assembly of FIG. 8; and,
FIG. 14 is a rear elevational view of the air freshener container assembly of FIG. 8.
The broken lines showing portions of the air freshener container assembly are included for the purpose of illustrating the portions of the article and form no part of the claimed design.

(**) Term: **15 Years**

(21) Appl. No.: **29/645,198**

(22) Filed: **Apr. 24, 2018**

(51) **LOC (12) Cl.** **23-04**

(52) **U.S. Cl.**
USPC **D23/366**

(58) **Field of Classification Search**
USPC D23/208, 355–369; D14/209.1, 212–213;
D11/144; D10/46.2; D7/300, 300.1, 392,
D7/510, 591
CPC A61L 9/02; A61L 9/03; A61L 9/12; A61L
9/035; A61L 9/125

See application file for complete search history.

(56) **References Cited**

U.S. PATENT DOCUMENTS

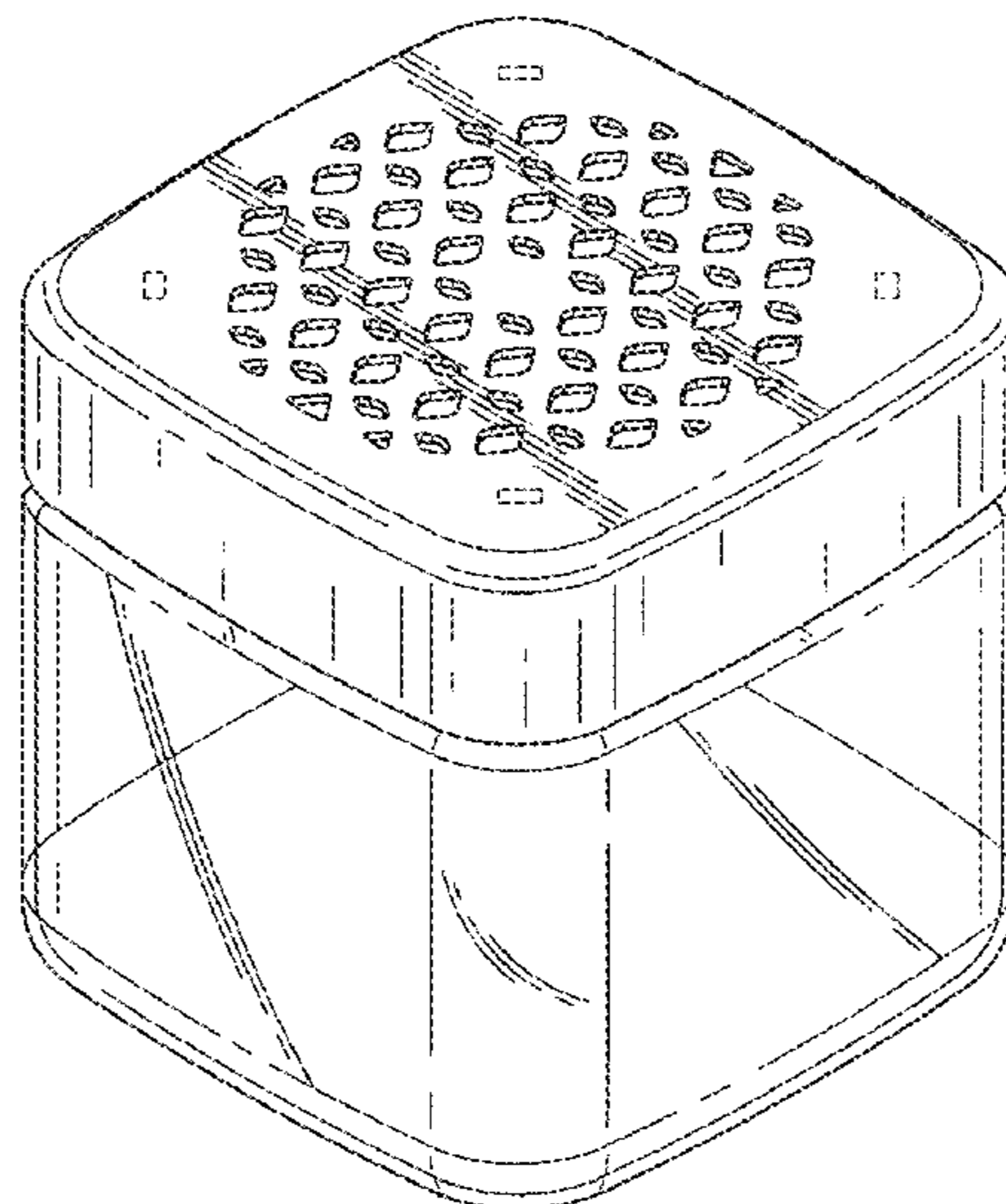
D41,558 S *	7/1911	Frank	D7/591
D164,983 S *	10/1951	Crook	D23/369
D212,753 S *	11/1968	Tughan	D23/369
D520,623 S *	5/2006	Lablaine	D23/366
D555,478 S *	11/2007	Miller	D9/451
D638,112 S *	5/2011	Hisey	D23/366
D641,464 S	7/2011	DeHaan et al.		
D645,949 S	9/2011	Brandenburg et al.		

(Continued)

Primary Examiner — Sheryl Lane

Assistant Examiner — Calvin E Vansant

1 Claim, 8 Drawing Sheets



(56)

References Cited

U.S. PATENT DOCUMENTS

D647,190 S *	10/2011	Walter	D23/366
D658,935 S *	5/2012	Luppino	D7/392
8,978,999 B2	3/2015	Lesniak et al.	
D743,519 S *	11/2015	Furner	D23/366
D767,108 S	9/2016	Brandenburg	
D782,108 S *	3/2017	Jordan	D27/167
D798,430 S *	9/2017	Nord	D23/364
D837,355 S *	1/2019	Gunnefur	D23/364
D853,547 S *	7/2019	Avidor	D23/366

* cited by examiner

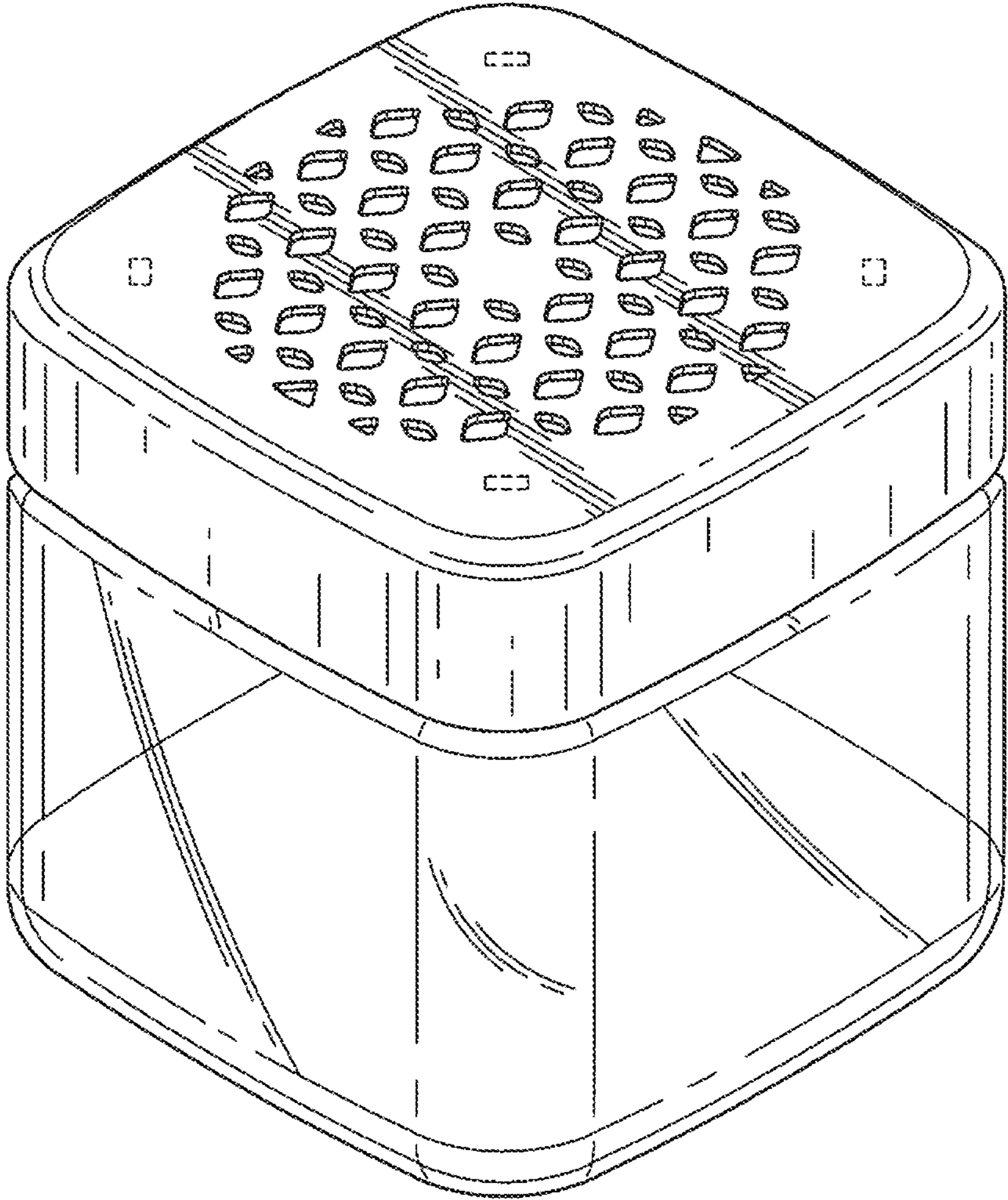


FIG. 1

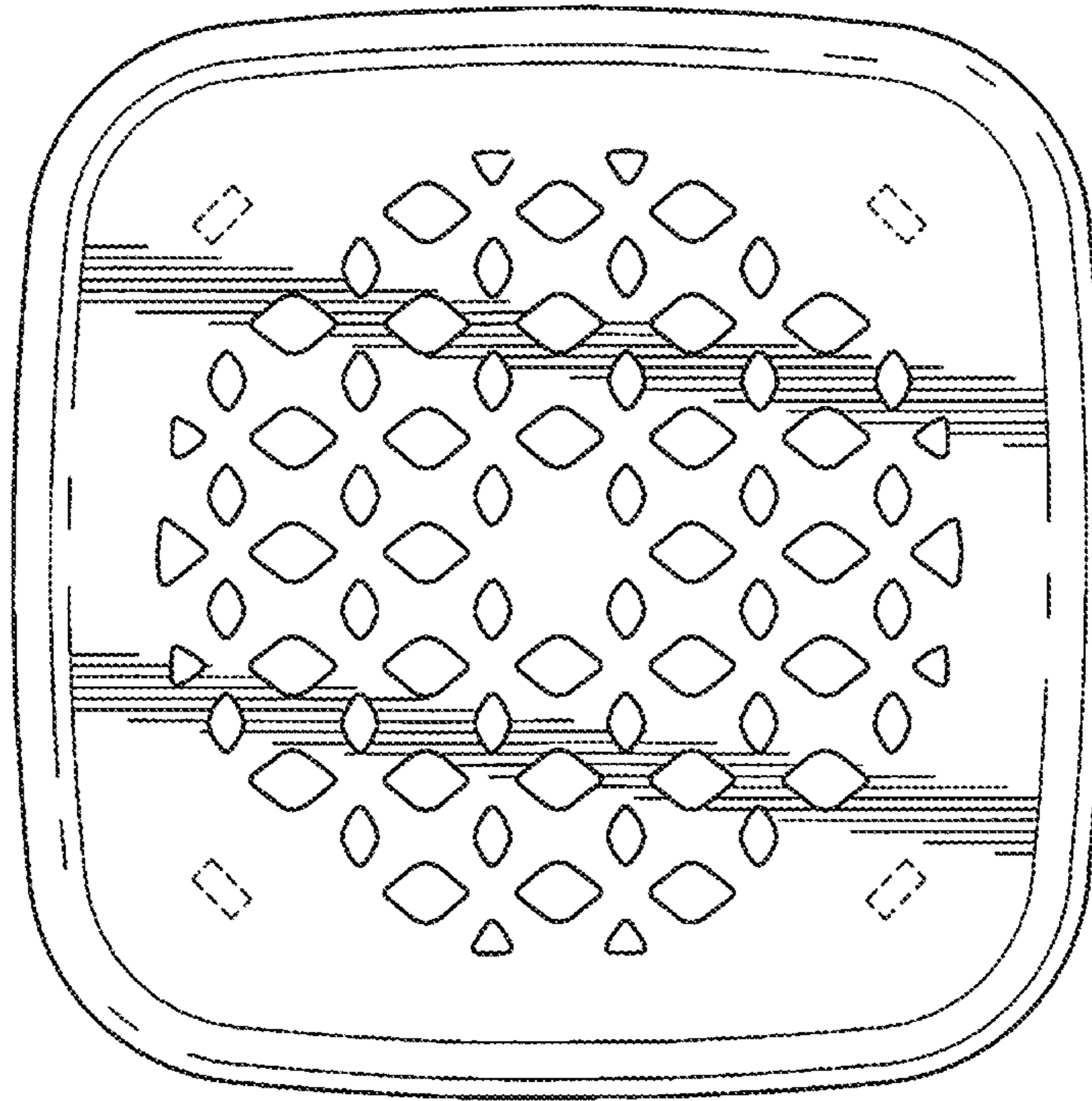


FIG. 2

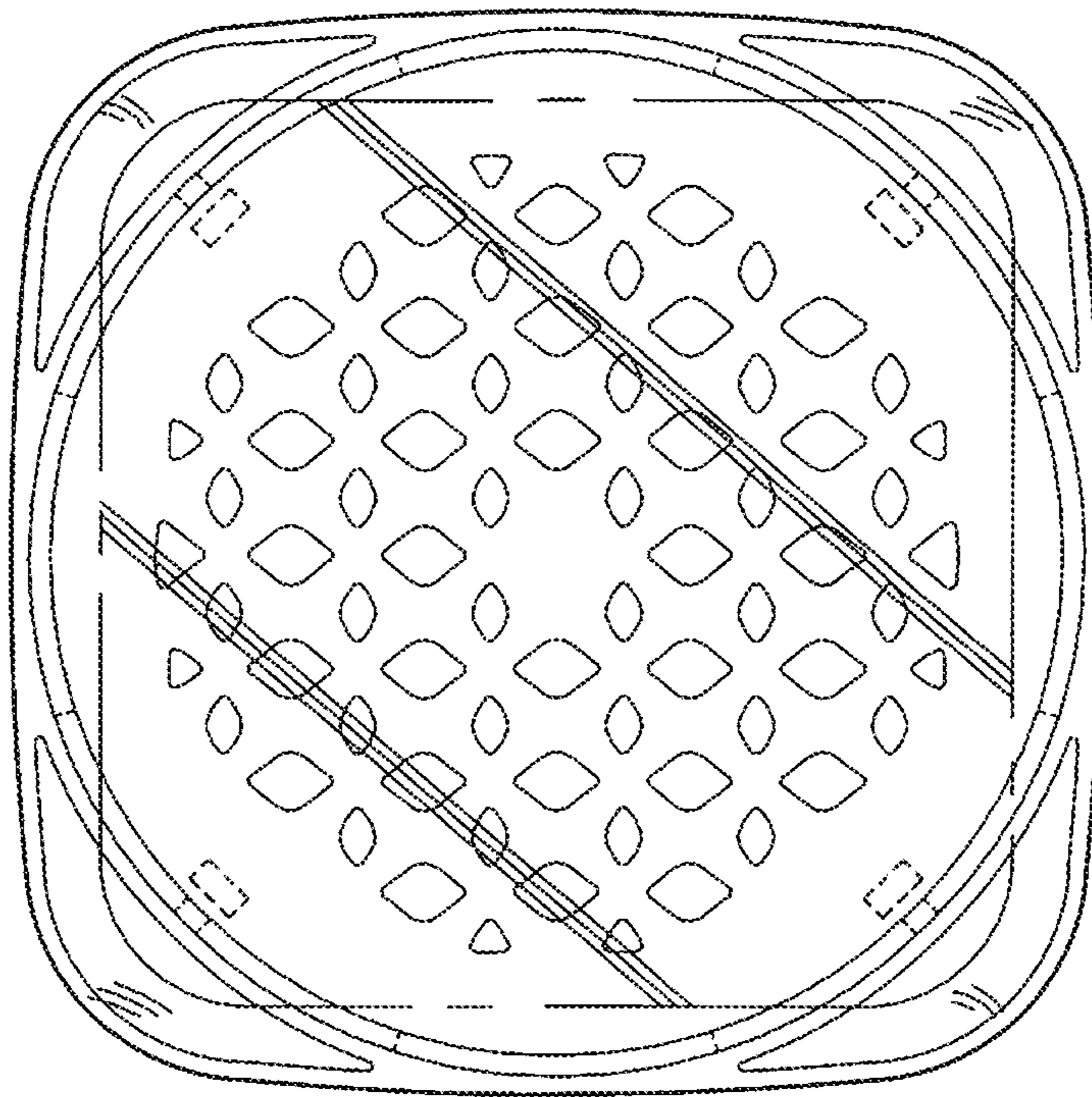


FIG. 3

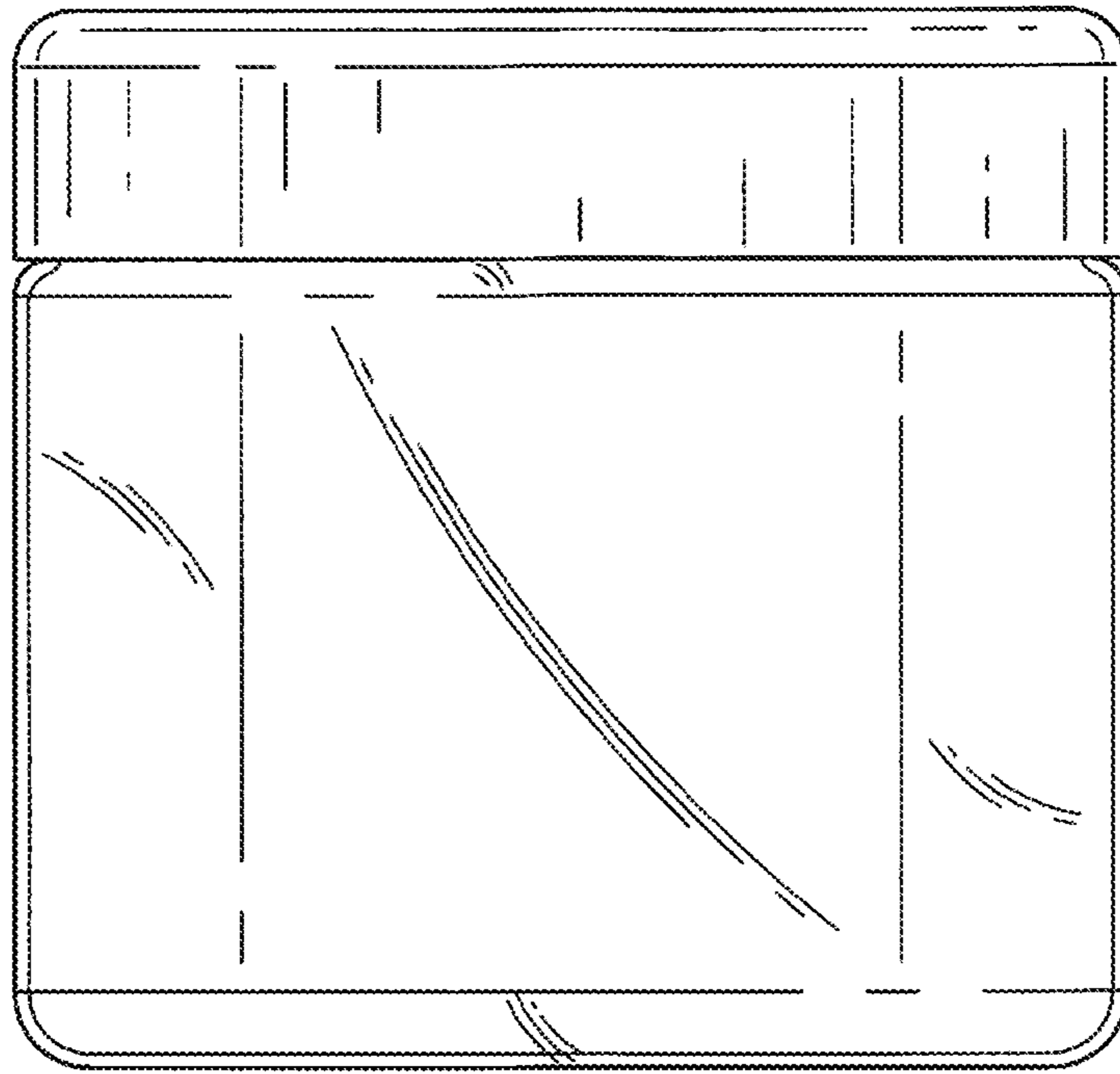


FIG. 4

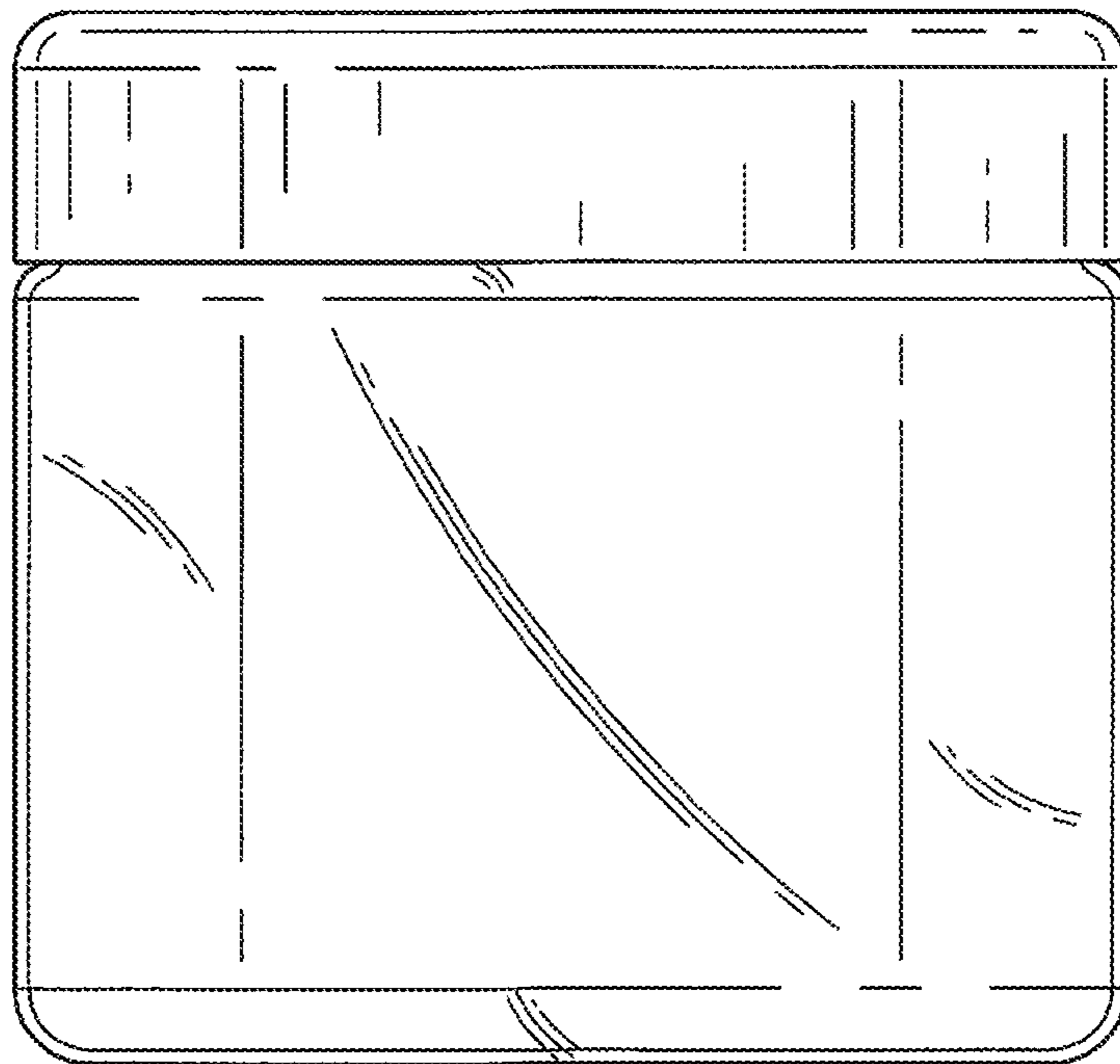


FIG. 5

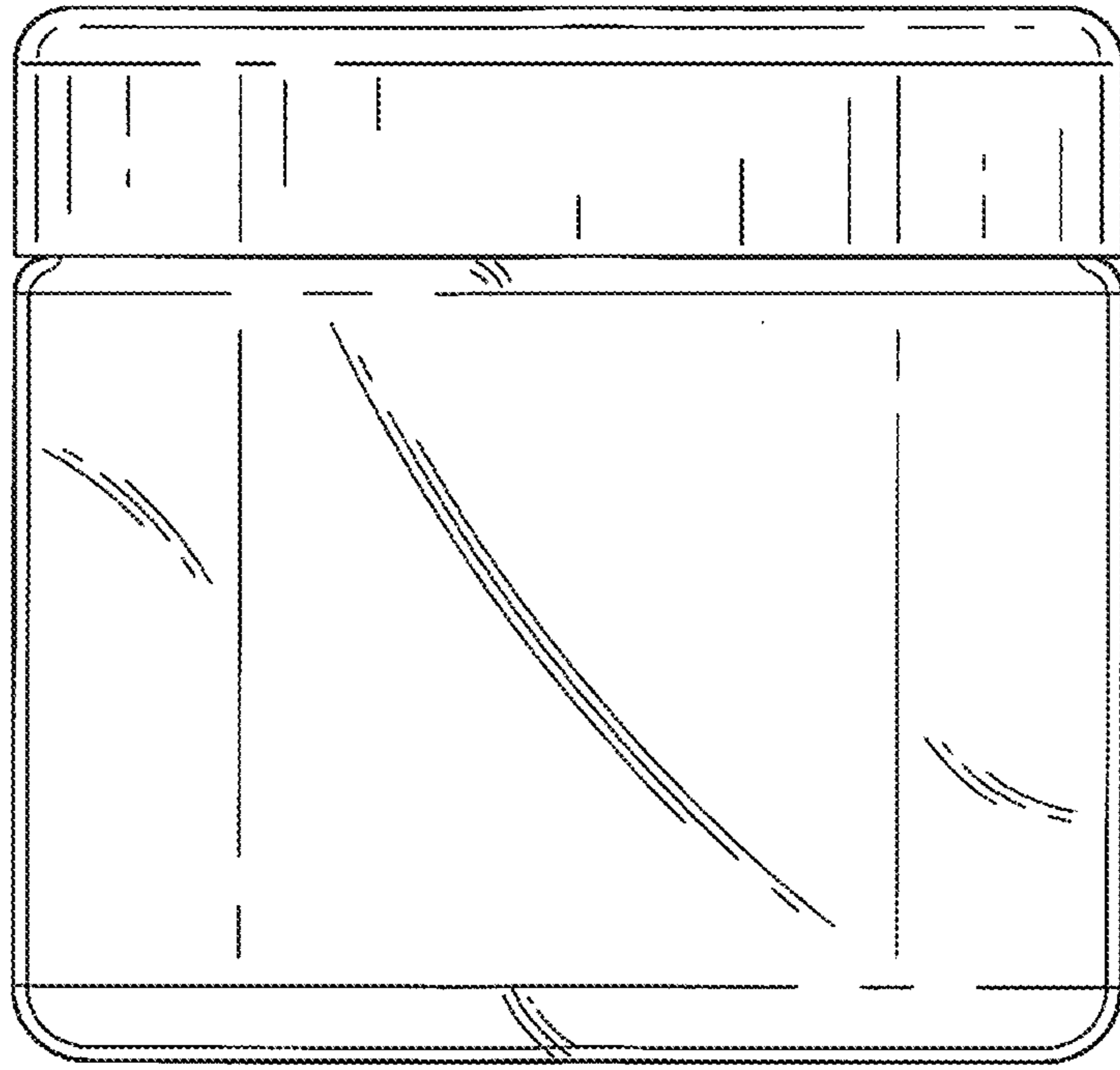


FIG. 6

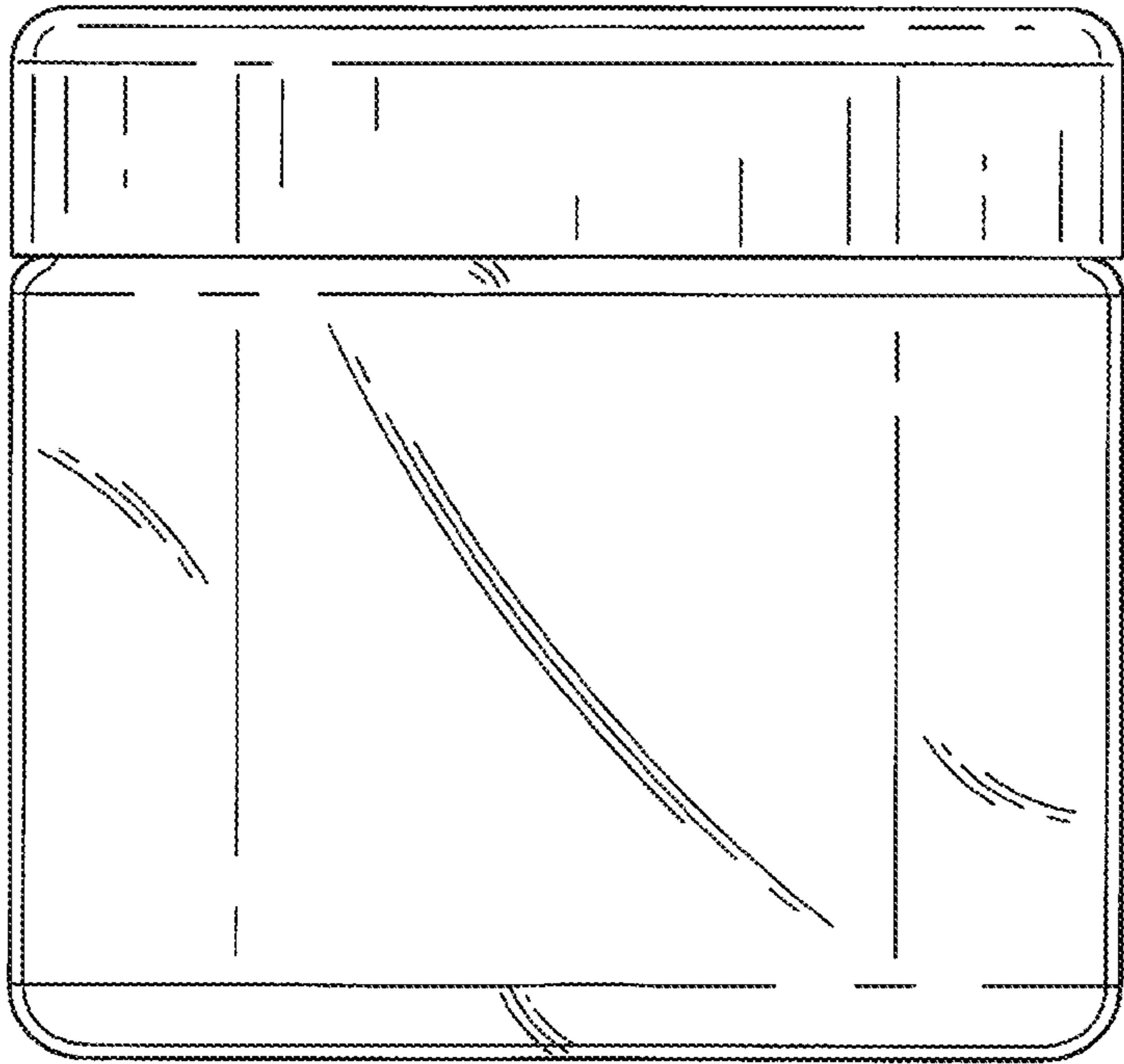


FIG. 7

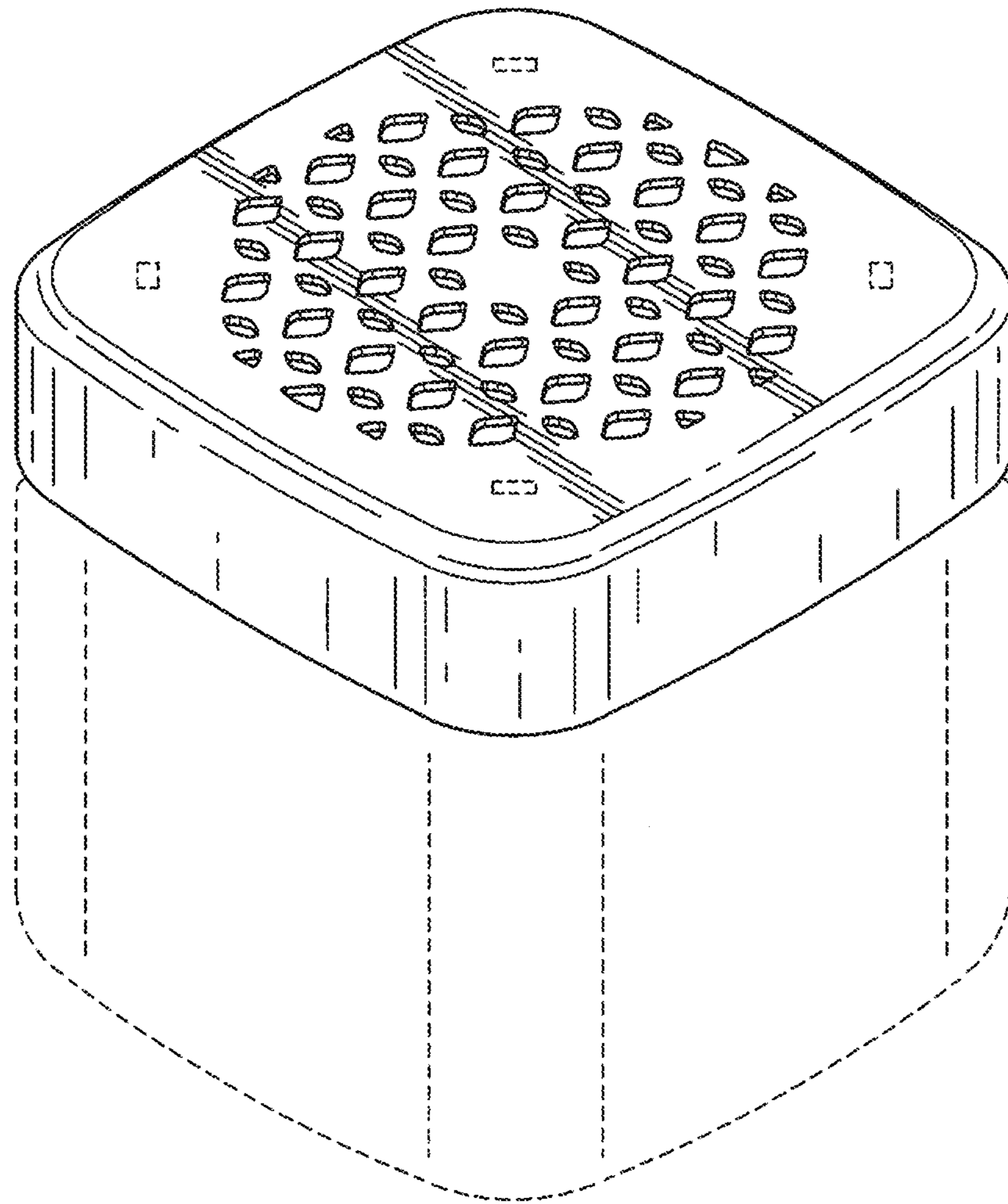


FIG. 8

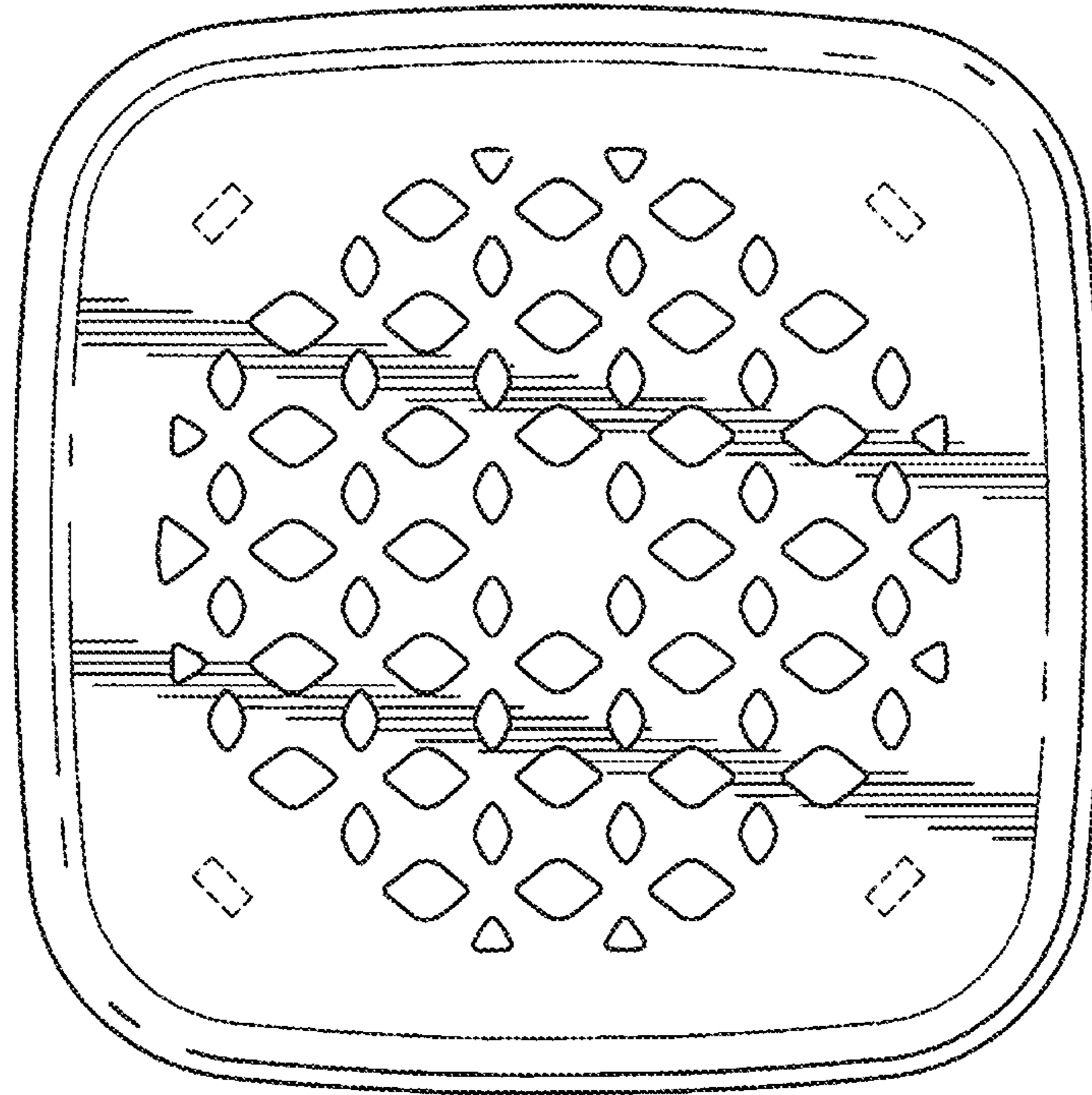


FIG. 9

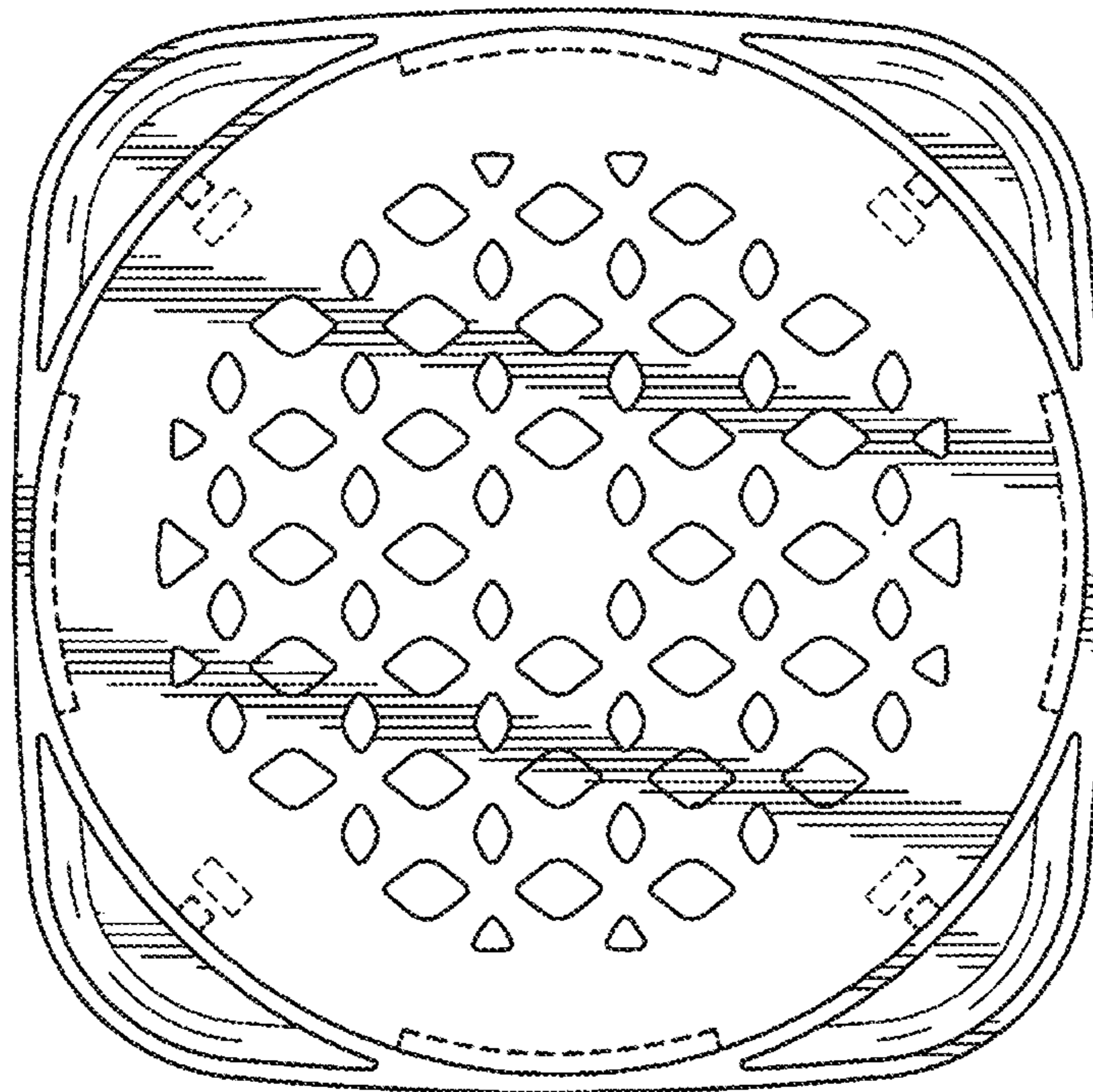


FIG. 10

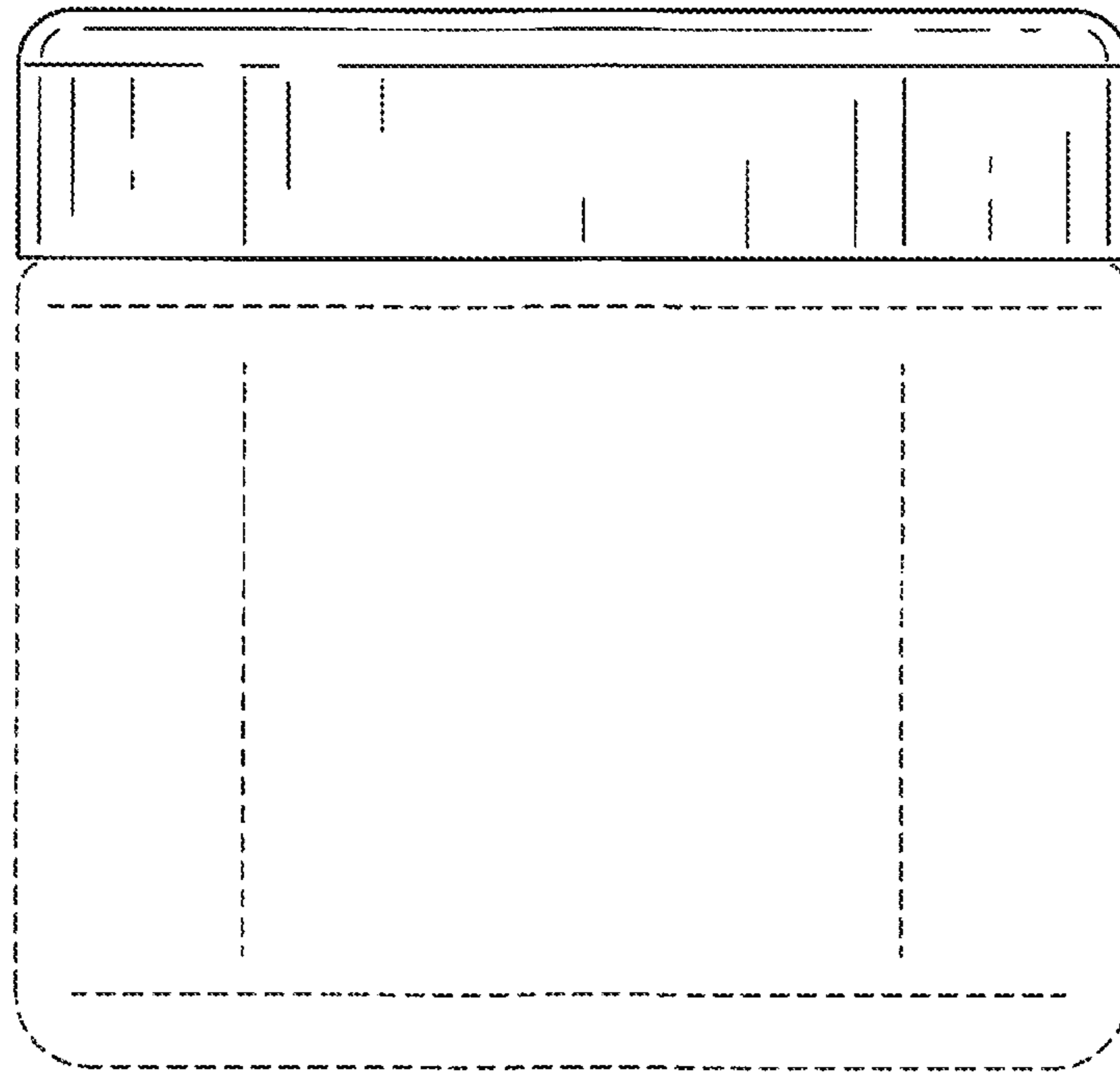


FIG. 11

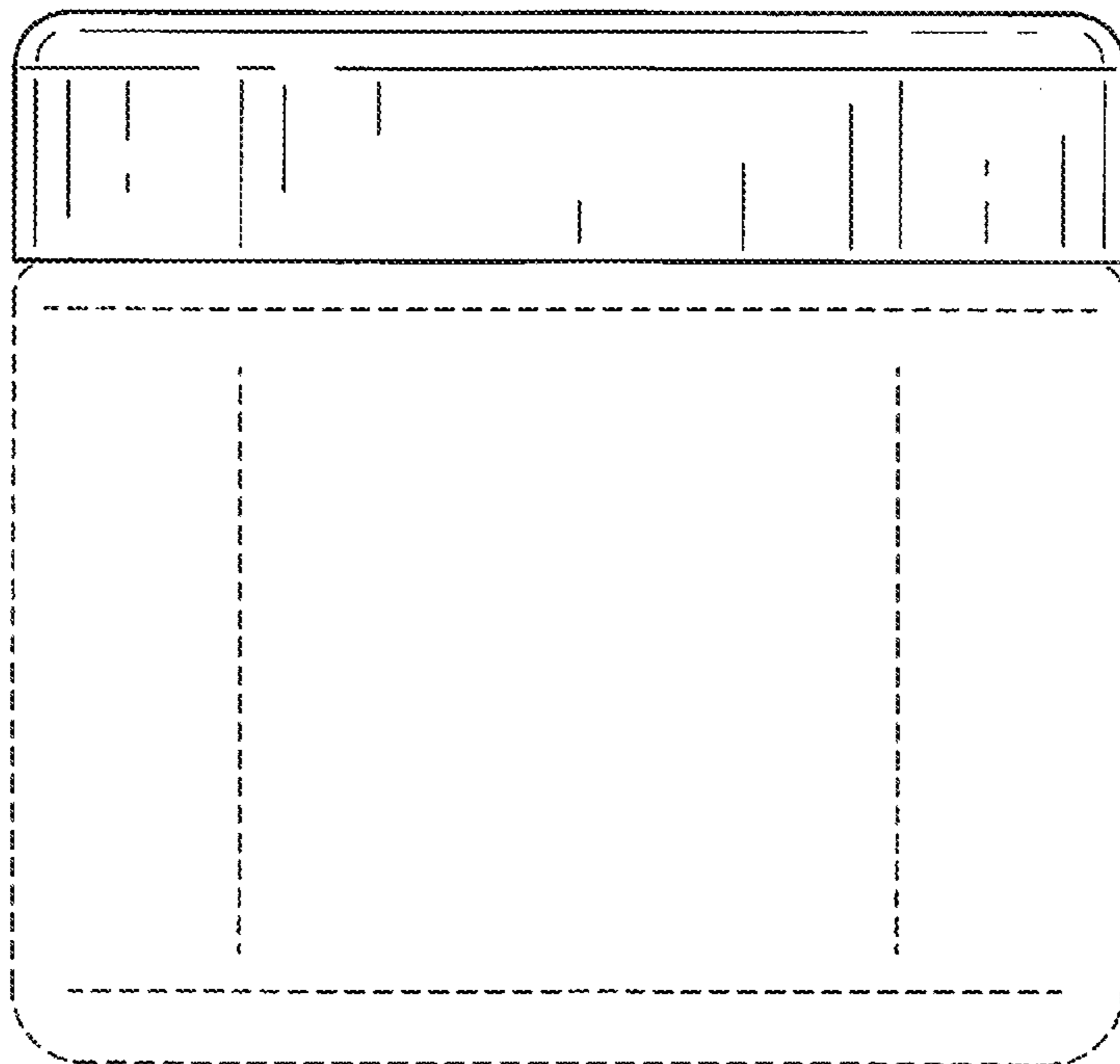


FIG. 12

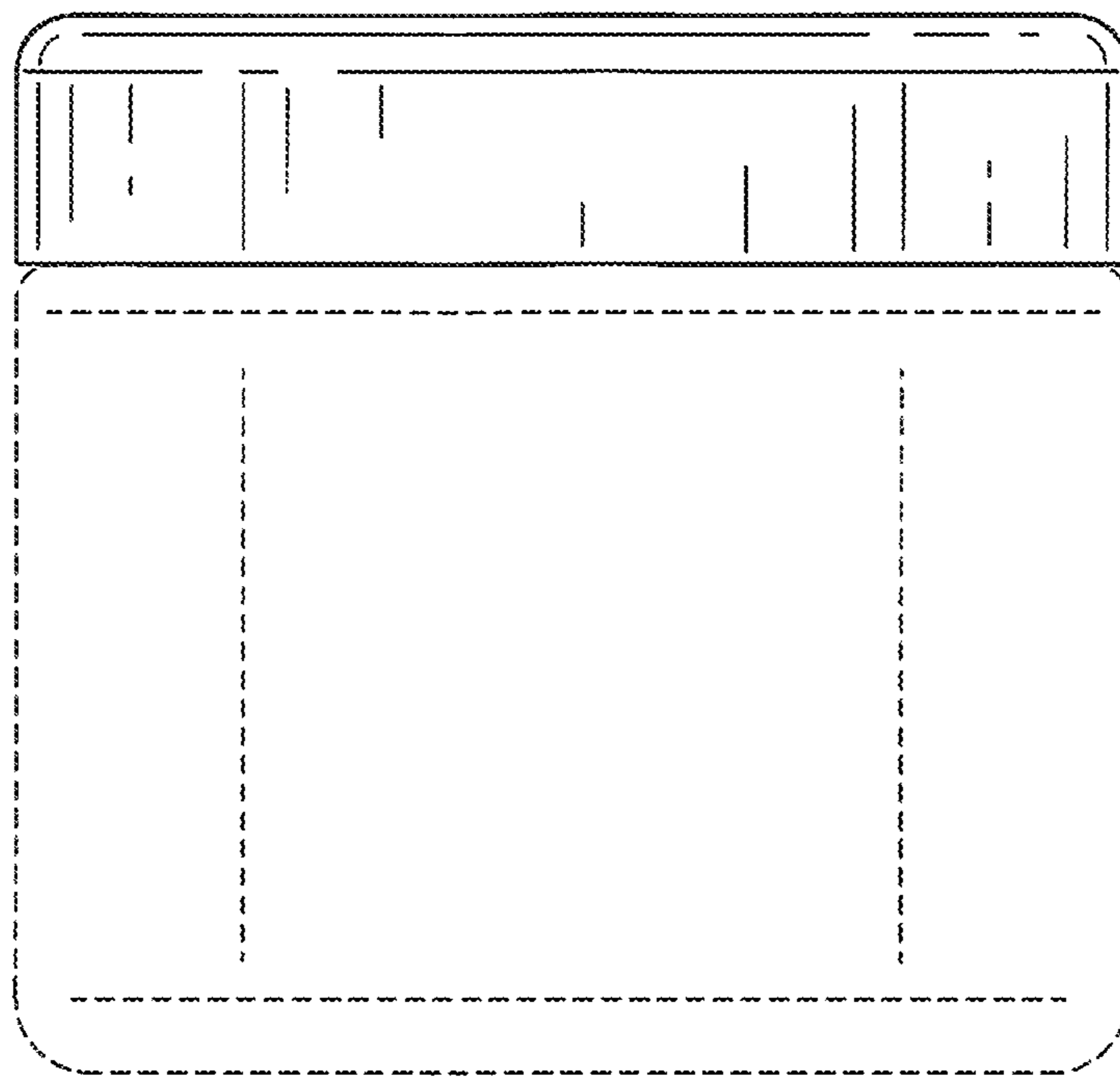


FIG. 13

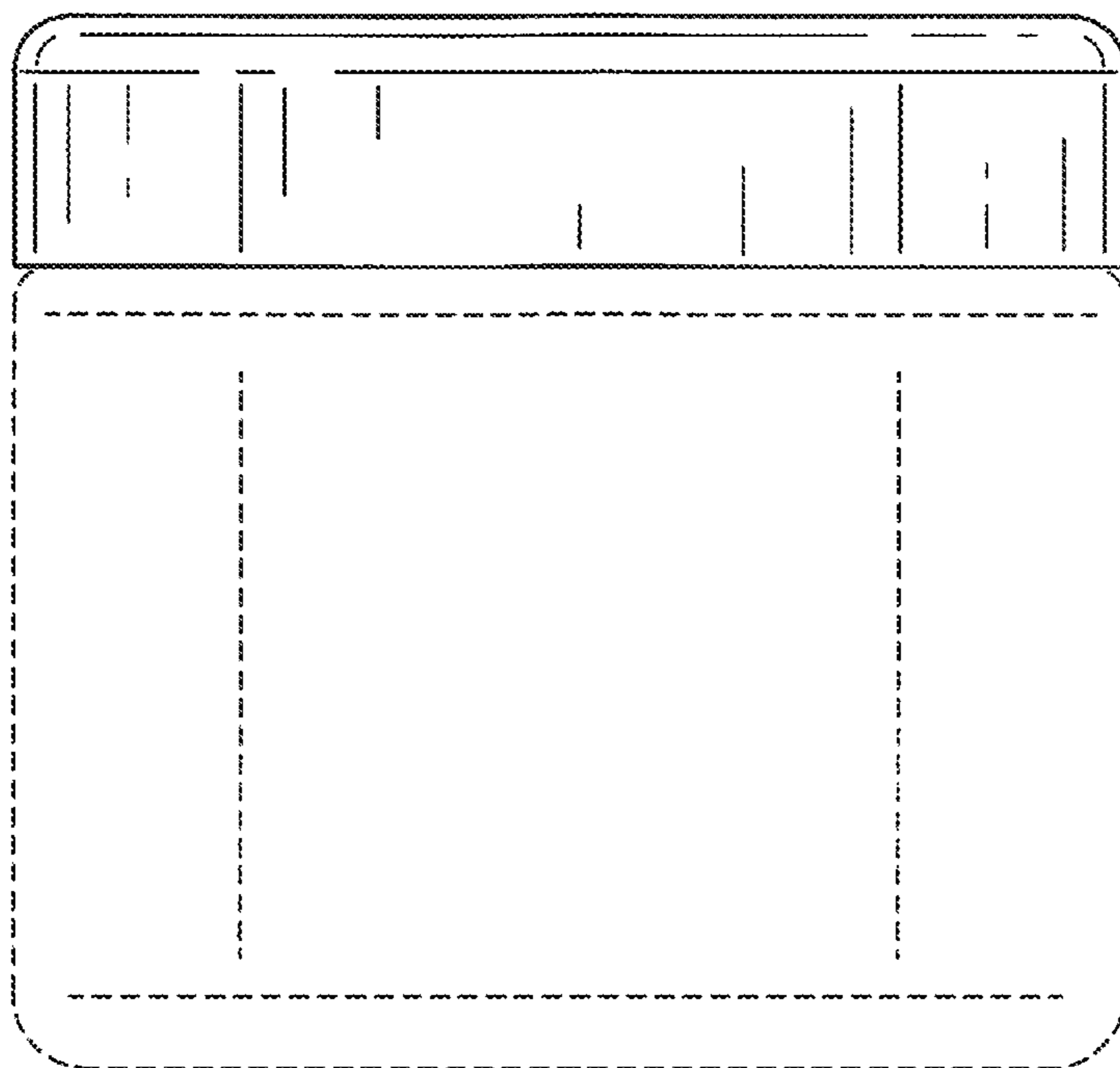


FIG. 14