



US00D878534S

(12) **United States Design Patent**  
**Wang et al.**

(10) **Patent No.:** **US D878,534 S**  
(45) **Date of Patent:** **\*\* Mar. 17, 2020**

(54) **CAR ANION AIR PURIFIER WITH USB PORTS**

(71) Applicant: **Ionkini Technology (GZ) Co., Ltd.**,  
Guangzhou, Guangdong (CN)

(72) Inventors: **Haojian Wang**, Guangdong (CN);  
**Bingbing Wang**, Guangdong (CN)

(73) Assignee: **Ionkini Technology (GZ) Co., Ltd.**,  
Guangzhou (CN)

(\*\*) Term: **15 Years**

(21) Appl. No.: **29/636,928**

(22) Filed: **Feb. 12, 2018**

(30) **Foreign Application Priority Data**

Aug. 17, 2017 (CN) ..... 2017 3 0378324

(51) **LOC (12) Cl.** ..... **28-99**

(52) **U.S. Cl.**  
USPC ..... **D23/366**

(58) **Field of Classification Search**  
USPC ..... D23/355-369, 352, 332, 333, 335, 336,  
D23/342, 351; 422/120, 122; 55/356,  
55/473, 504; 96/97; D14/188, 170, 172;  
261/DIG. 17, DIG. 65, DIG. 88, DIG. 31,  
261/DIG. 42, DIG. 89; D18/34.6; D28/5,  
D28/6; 392/390, 394, 395; 239/34, 44,  
239/53, 55, 56, 326; D26/14, 17, 98, 9,  
D26/22, 24; D11/131.1; D7/509, 522,  
D7/524, 537

CPC .. A61L 9/16; A61L 9/22; B01D 47/00; B01D  
47/027; B01D 2221/02; B01D 2259/4508;  
B03C 3/155; B03C 3/368; F24F 3/16;  
F24F 13/20; F24F 13/28; F24F 3/1405;  
F24F 3/1603; F24F 13/222

See application file for complete search history.

(56) **References Cited**

**U.S. PATENT DOCUMENTS**

D97,356 S \* 10/1935 Robinson ..... D23/362  
4,808,347 A \* 2/1989 Dawn ..... A61L 9/122  
261/30

D306,644 S \* 3/1990 Luthy ..... D23/366  
D313,650 S \* 1/1991 Odegaard ..... D23/386  
D315,789 S \* 3/1991 Muderlak ..... D23/366  
D414,550 S \* 9/1999 Bloom ..... D23/328  
D442,683 S \* 5/2001 Wu ..... D23/366  
D557,396 S \* 12/2007 Cheng ..... D23/364  
D692,548 S \* 10/2013 Wirz ..... D23/366  
D692,550 S \* 10/2013 Wirz ..... D23/366

(Continued)

**OTHER PUBLICATIONS**

Ionkini website, Car Air Purifier with Car Charger JO-6291, May 1,  
2018, <http://www.ionkini.cn/productshow.asp?ArticleID=0&id=128&cid=001> (Year: 2018).\*

*Primary Examiner* — Nathan M Johnston

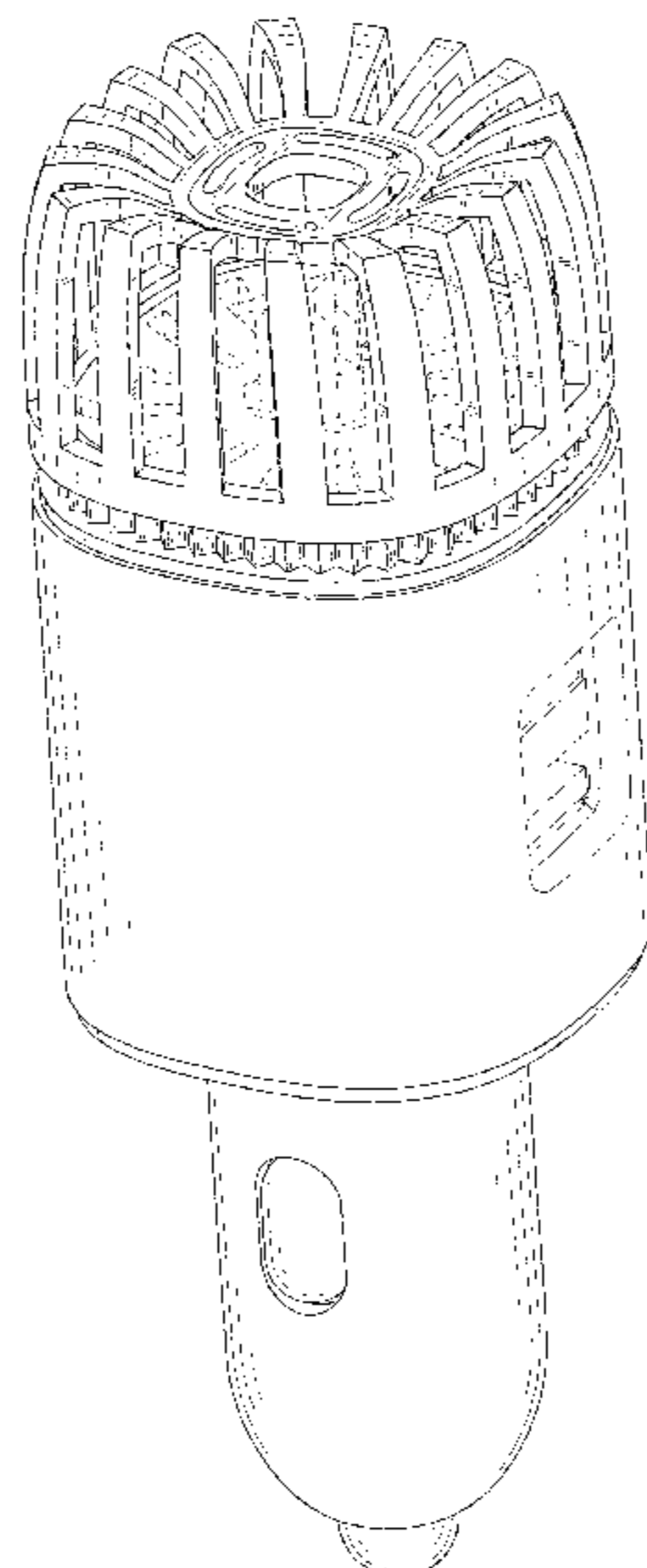
(57) **CLAIM**

The ornamental design for a car anion air purifier with USB ports, as shown and described.

**DESCRIPTION**

FIG. 1 is a front elevational view of a car anion air purifier with USB ports showing our new design;  
FIG. 2 is a rear elevational view thereof;  
FIG. 3 is a left side view thereof;  
FIG. 4 is a top plan view thereof;  
FIG. 5 is a bottom and front perspective view thereof;  
FIG. 6 is a top and front perspective view thereof;  
FIG. 7 is a top, left and front perspective view thereof;  
FIG. 8 is a first top perspective view thereof; and,  
FIG. 9 is a second top perspective view thereof.  
The broken lines in the drawings illustrate portions of the car anion air purifier with USB ports which form no part of the claimed design.

**1 Claim, 9 Drawing Sheets**



(56)

**References Cited**

U.S. PATENT DOCUMENTS

D710,984 S \* 8/2014 Hsiao ..... D23/366  
D711,523 S \* 8/2014 Hsiao ..... D23/366  
D711,524 S \* 8/2014 Hsiao ..... D23/366

\* cited by examiner

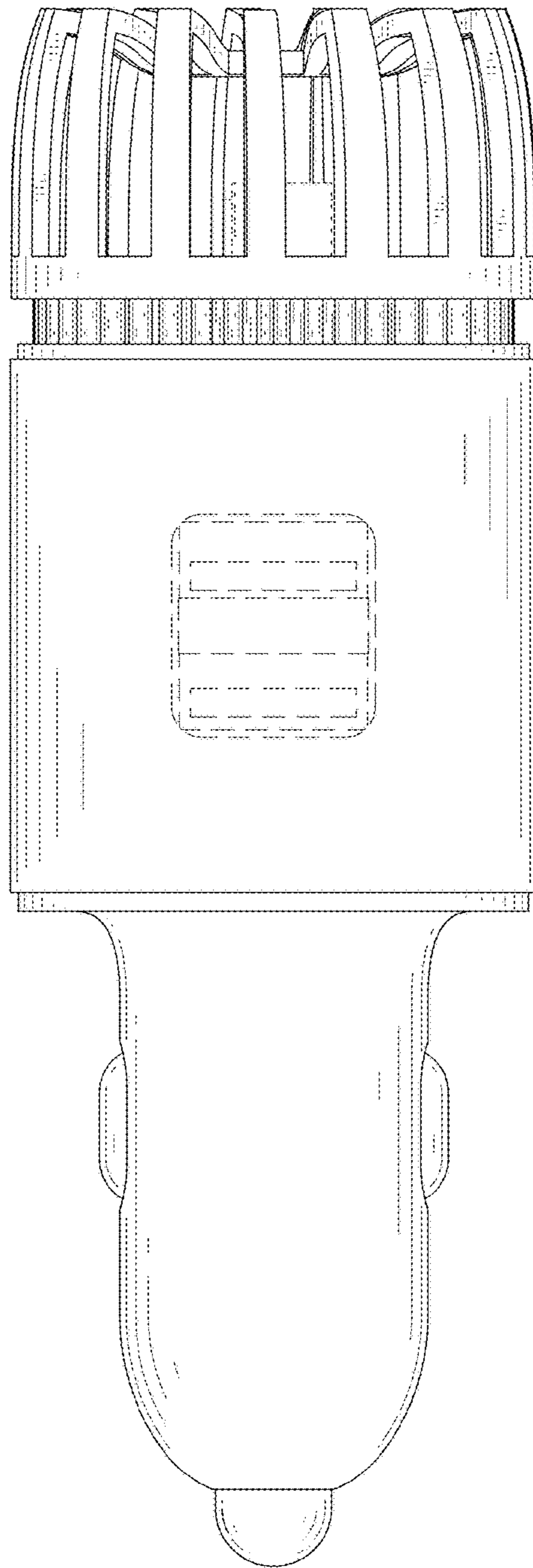


FIG. 1

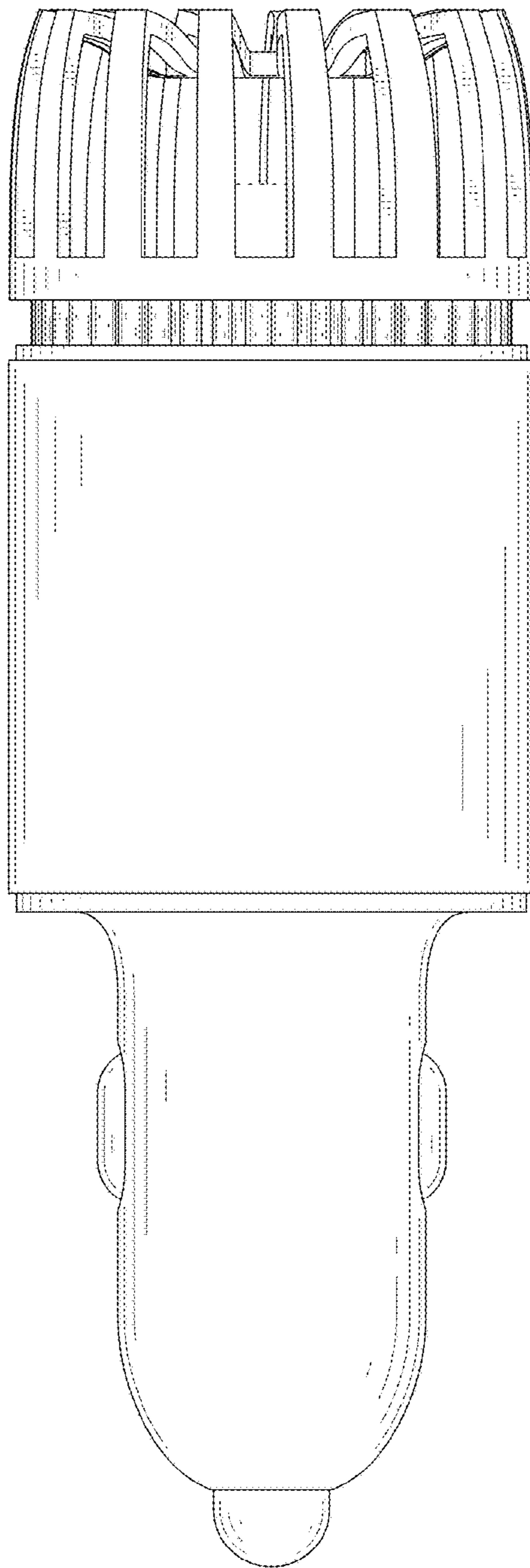


FIG. 2

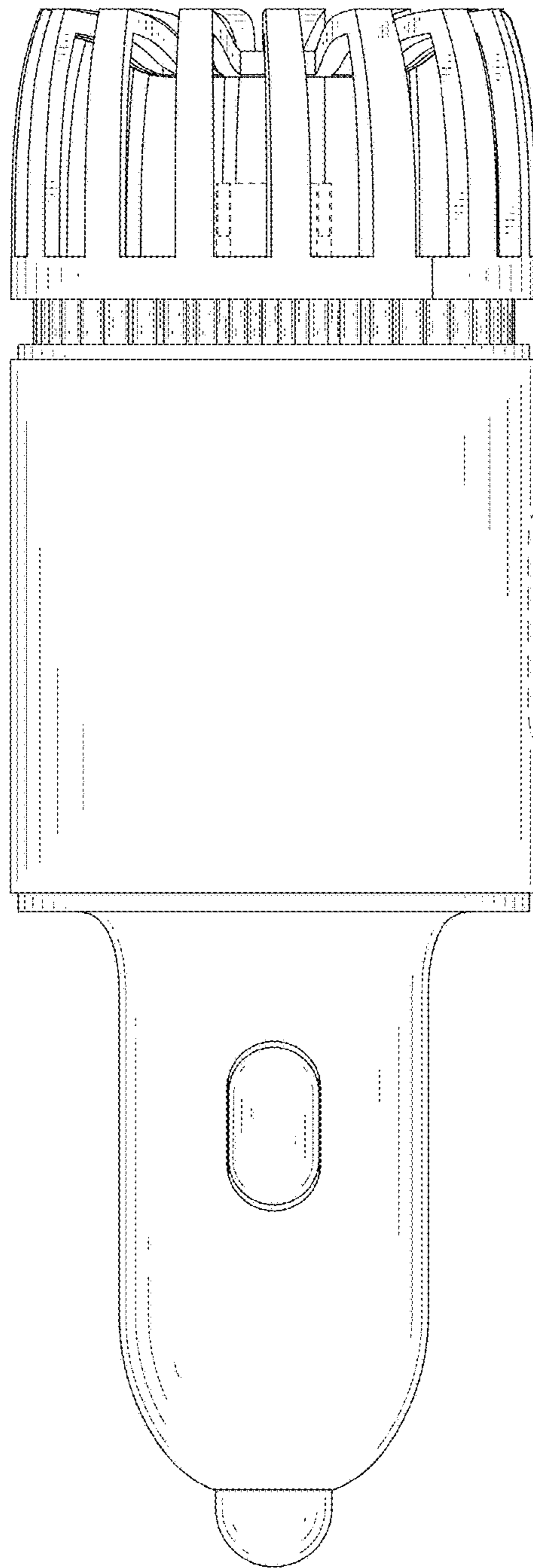


FIG. 3

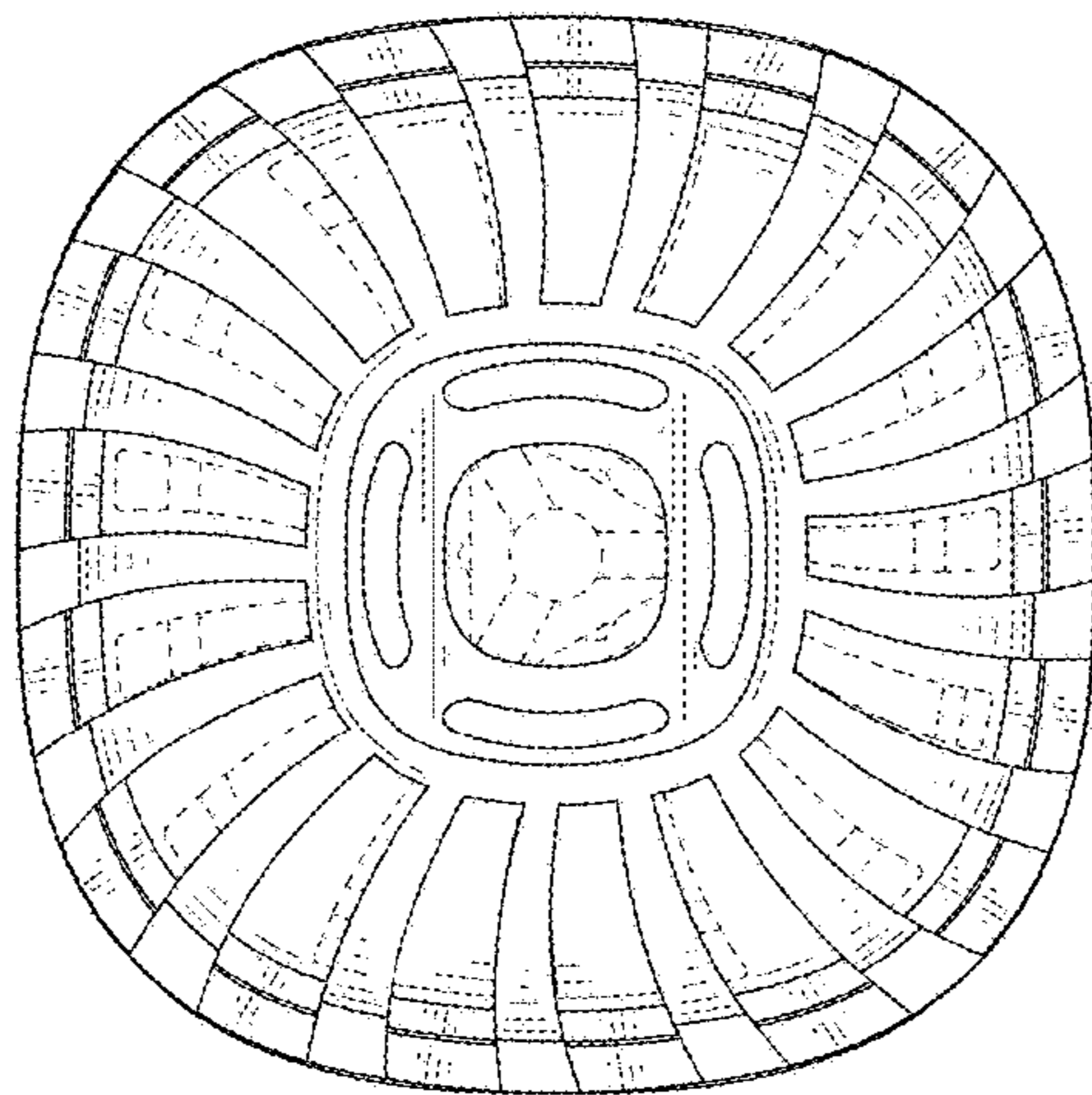


FIG. 4

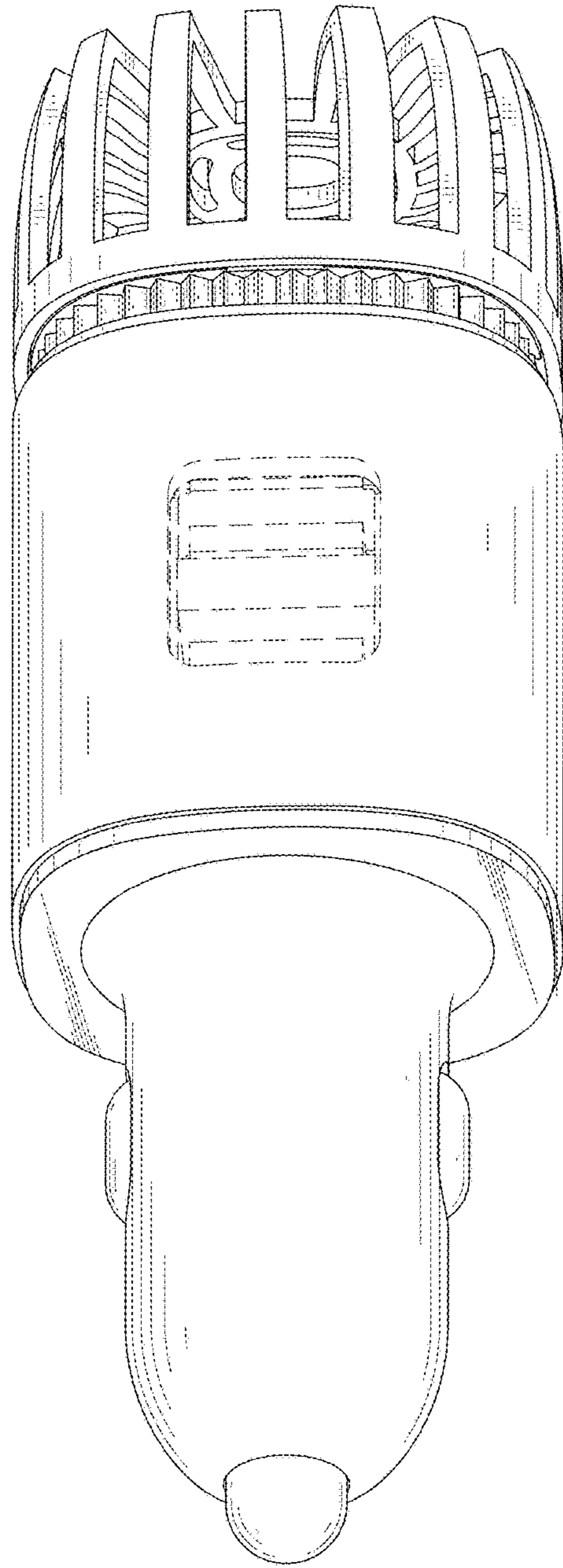


FIG. 5

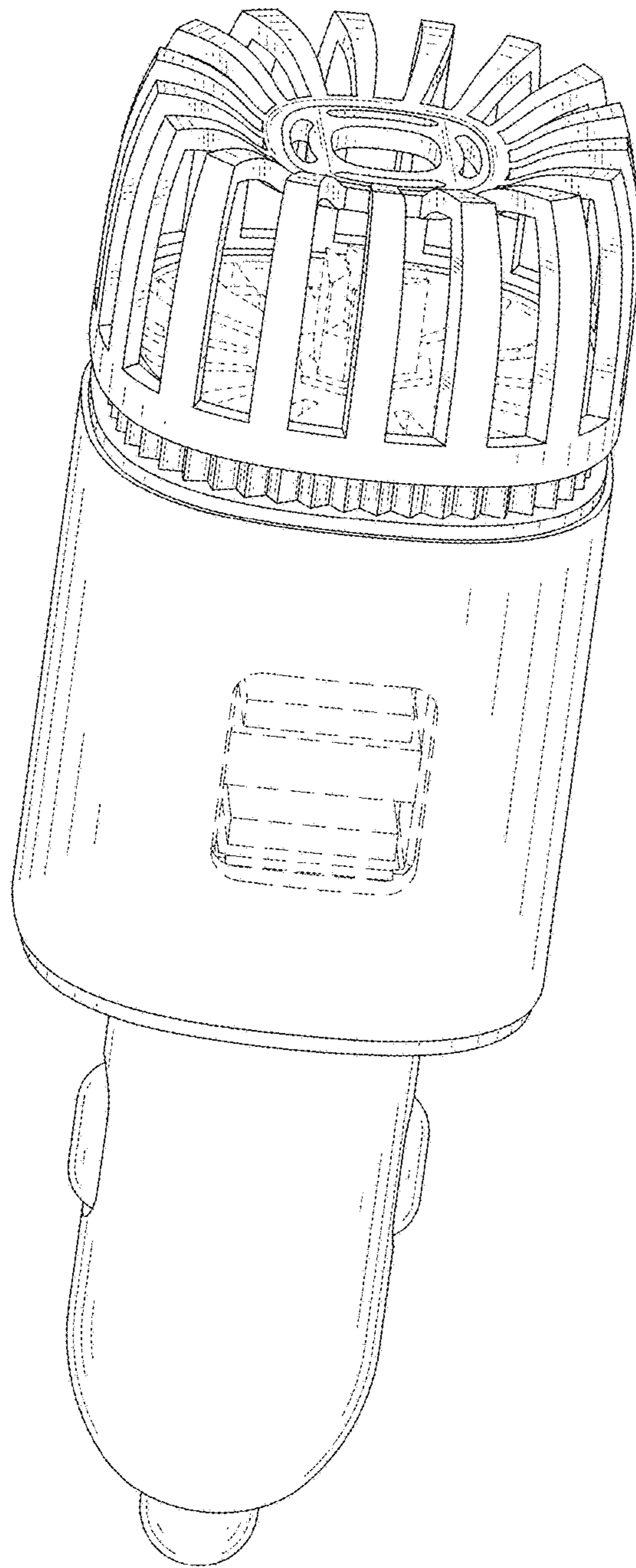


FIG. 6



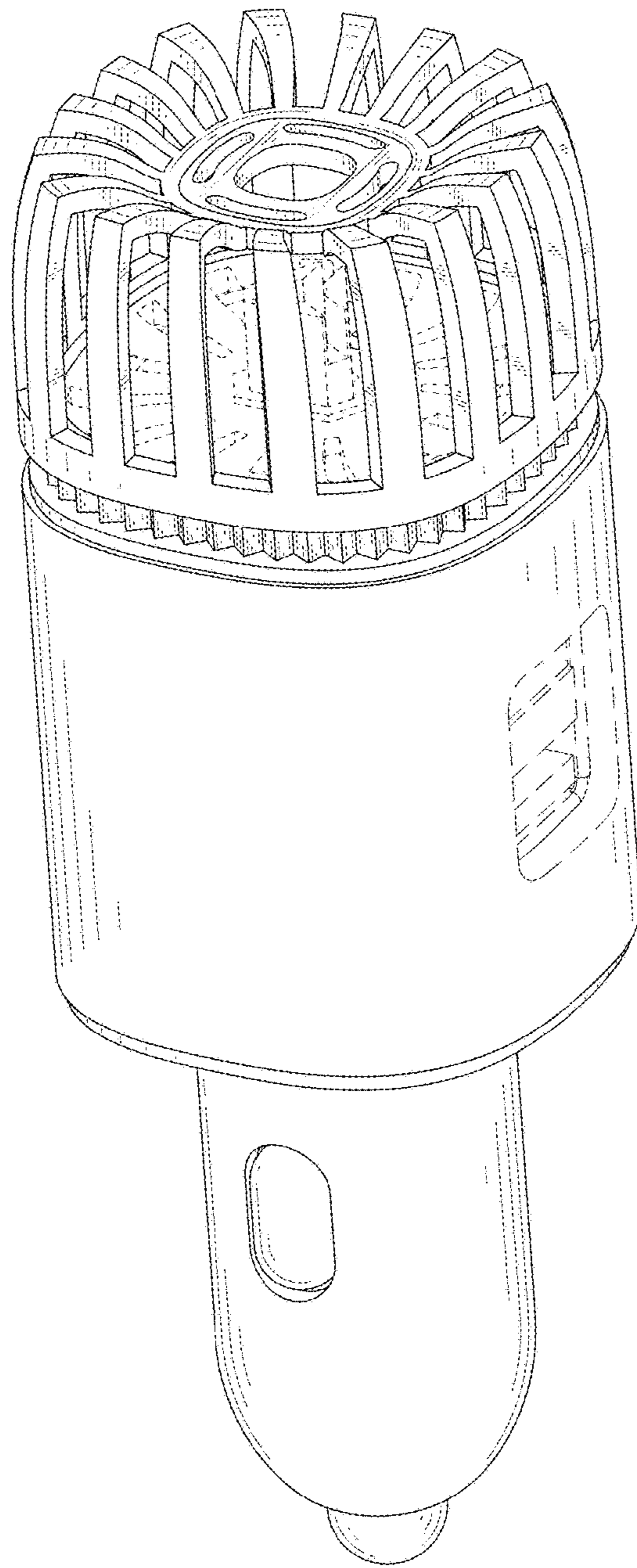


FIG. 7

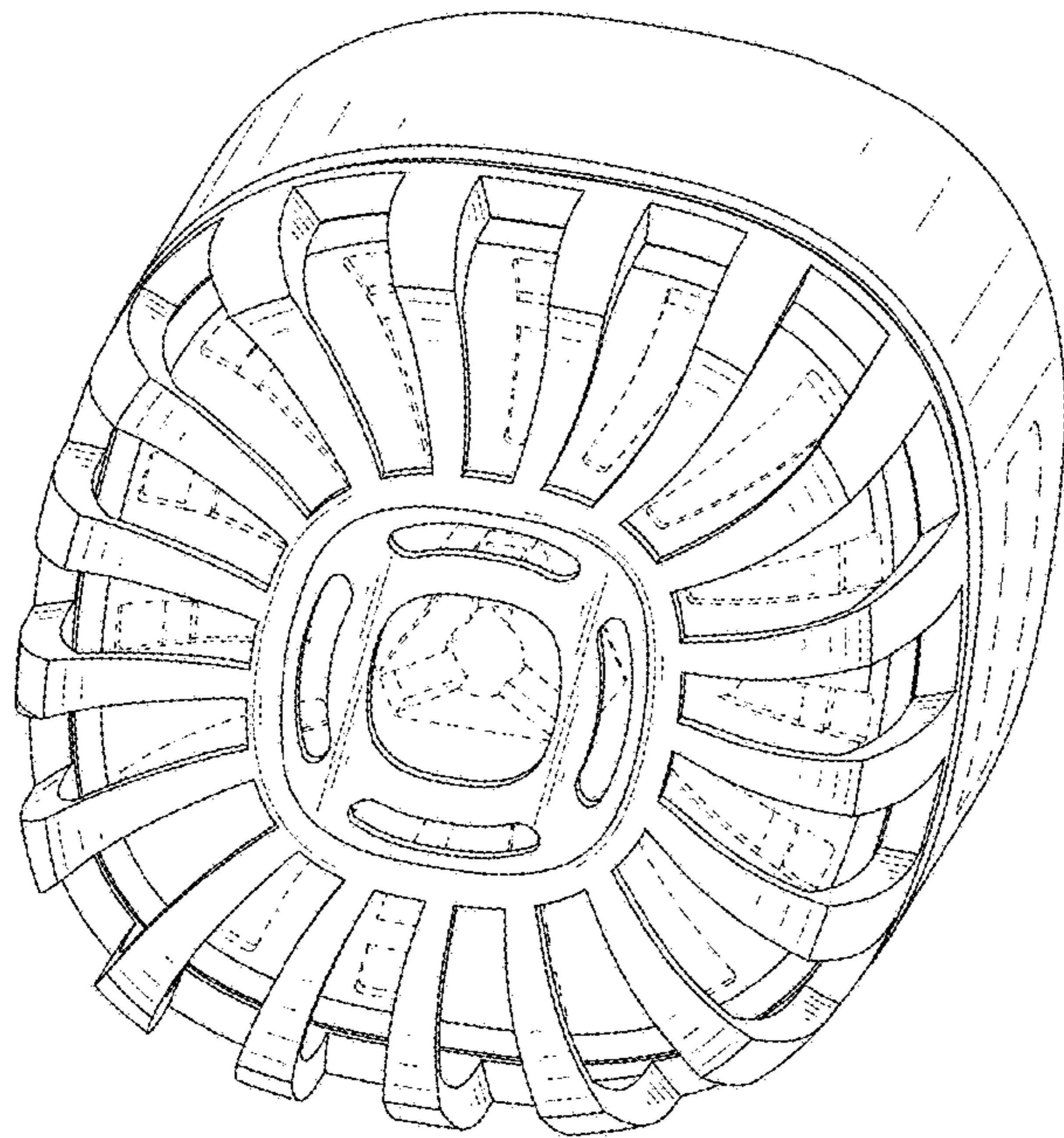


FIG. 8

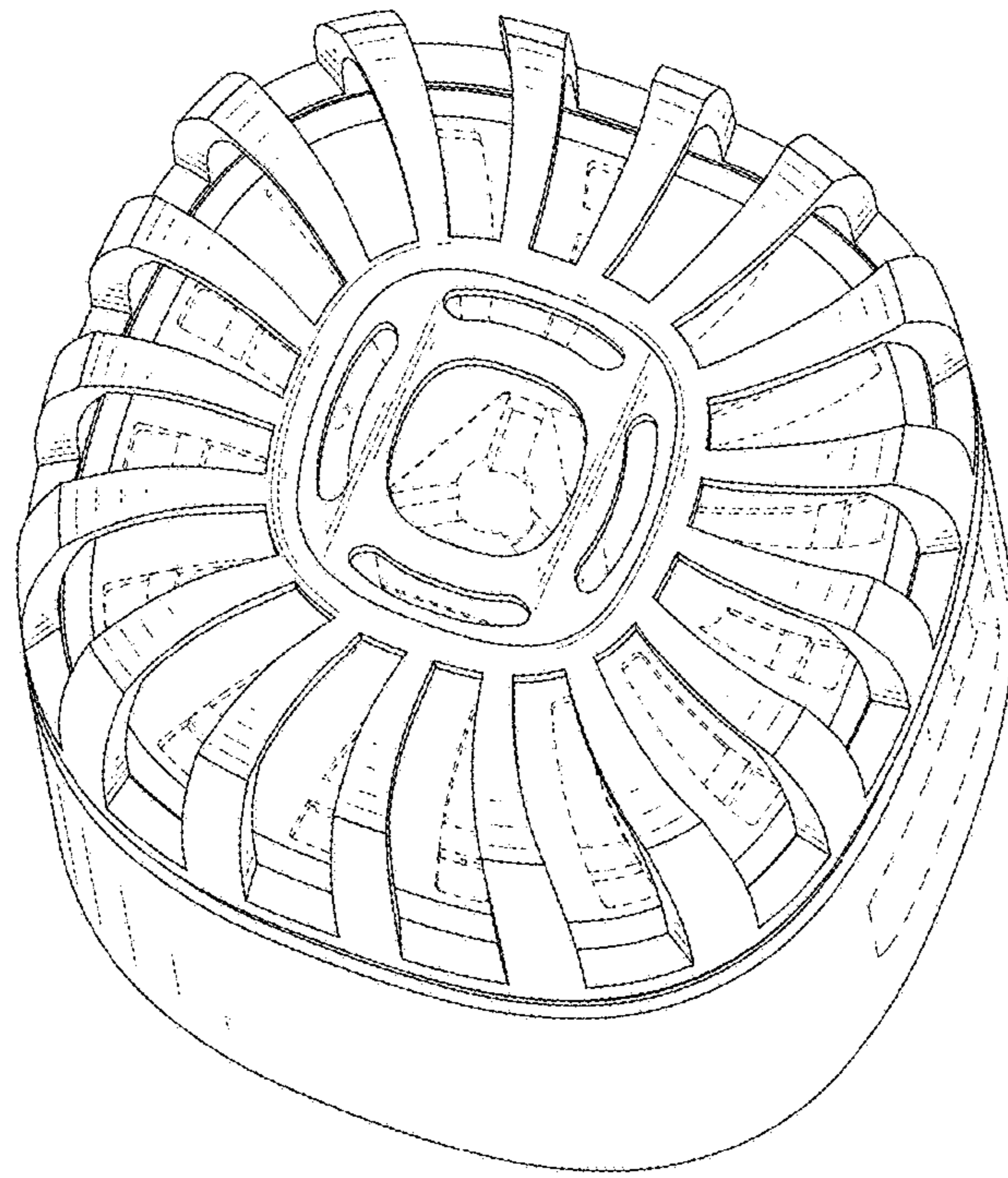


FIG. 9