



US00D878533S

(12) **United States Design Patent**
Gabriel et al.

(10) **Patent No.:** **US D878,533 S**

(45) **Date of Patent:** **** Mar. 17, 2020**

(54) **FILTRATION UNITS**

(71) Applicant: **KAY GUNTHER GABRIEL**, Cottbus (DE)

(72) Inventors: **Kay Gunther Gabriel**, Cottbus (DE);
Gabriele Terbahl, Saarbrücken (DE);
Martin Kaschek, St. Ingbert (DE)

(**) Term: **15 Years**

(21) Appl. No.: **35/505,469**

(22) Filed: **Jan. 10, 2018**

(80) **Hague Agreement Data**

Int. Filing Date: **Jan. 10, 2018**

Int. Reg. No.: **DM/102059**

Int. Reg. Date: **Jan. 10, 2018**

Int. Reg. Pub. Date: **Aug. 10, 2018**

(51) **LOC (12) Cl.** **23-01**

(52) **U.S. Cl.**

USPC **D23/365**

(58) **Field of Classification Search**

USPC D23/209, 210, 355, 356, 358, 363–365

CPC A61L 9/00; A61L 9/02; A61L 9/03; A61L 9/034; A61L 9/04; A61L 9/12; A61L 9/032; A61L 9/122; A61L 9/127; A61L 9/22; B01D 46/00; B01D 46/0002; B01D 46/20; F02M 35/04; F24F 13/20; A62B 21/00

See application file for complete search history.

(56) **References Cited**

U.S. PATENT DOCUMENTS

D742,496 S * 11/2015 Carter D23/365
D778,419 S * 2/2017 Poindexter D23/365

D804,005 S * 11/2017 Spear D23/365
D827,118 S * 8/2018 Stanhope D23/365
D829,316 S * 9/2018 Kim D23/365
D831,157 S * 10/2018 Kronk D23/209
D831,182 S * 10/2018 Gregerson D23/365
D831,812 S * 10/2018 Stanhope D23/365
D842,445 S * 3/2019 Shimizu D23/365

* cited by examiner

Primary Examiner — Khawaja Anwar

(57) **CLAIM**

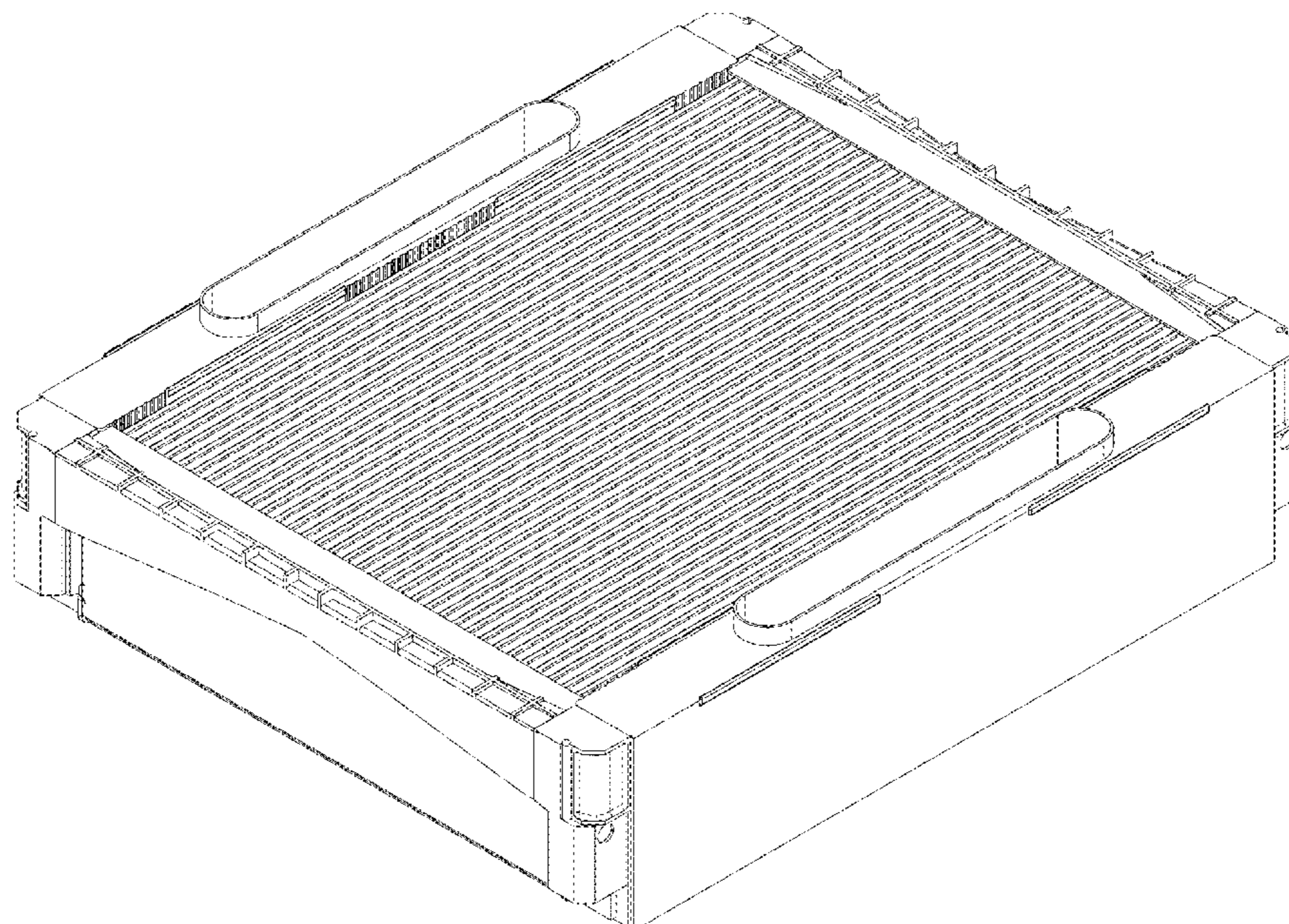
The ornamental design for filtration units, as shown and described.

DESCRIPTION

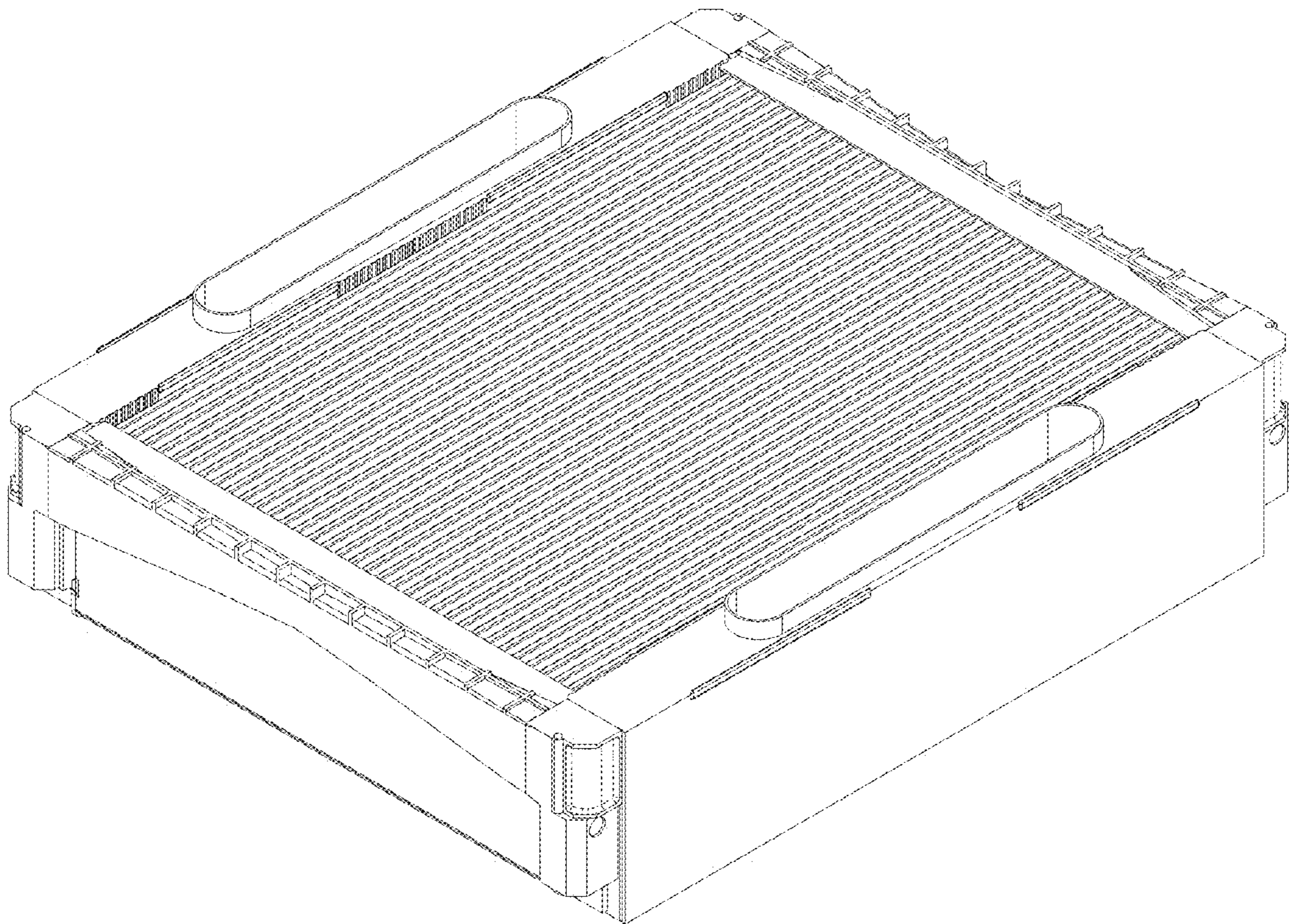
- 1.1 : Perspective
- 1.2 : Bottom
- 1.3 : Top
- 1.4 : Front
- 1.5 : Back
- 1.6 : Left
- 1.7 : Right
- 2.1 : Perspective
- 2.2 : Bottom
- 2.3 : Top
- 2.4 : Front
- 2.5 : Back
- 2.6 : Left
- 2.7 : Right

The broken lines illustrating portions of the filtration units form no part of the claimed design.

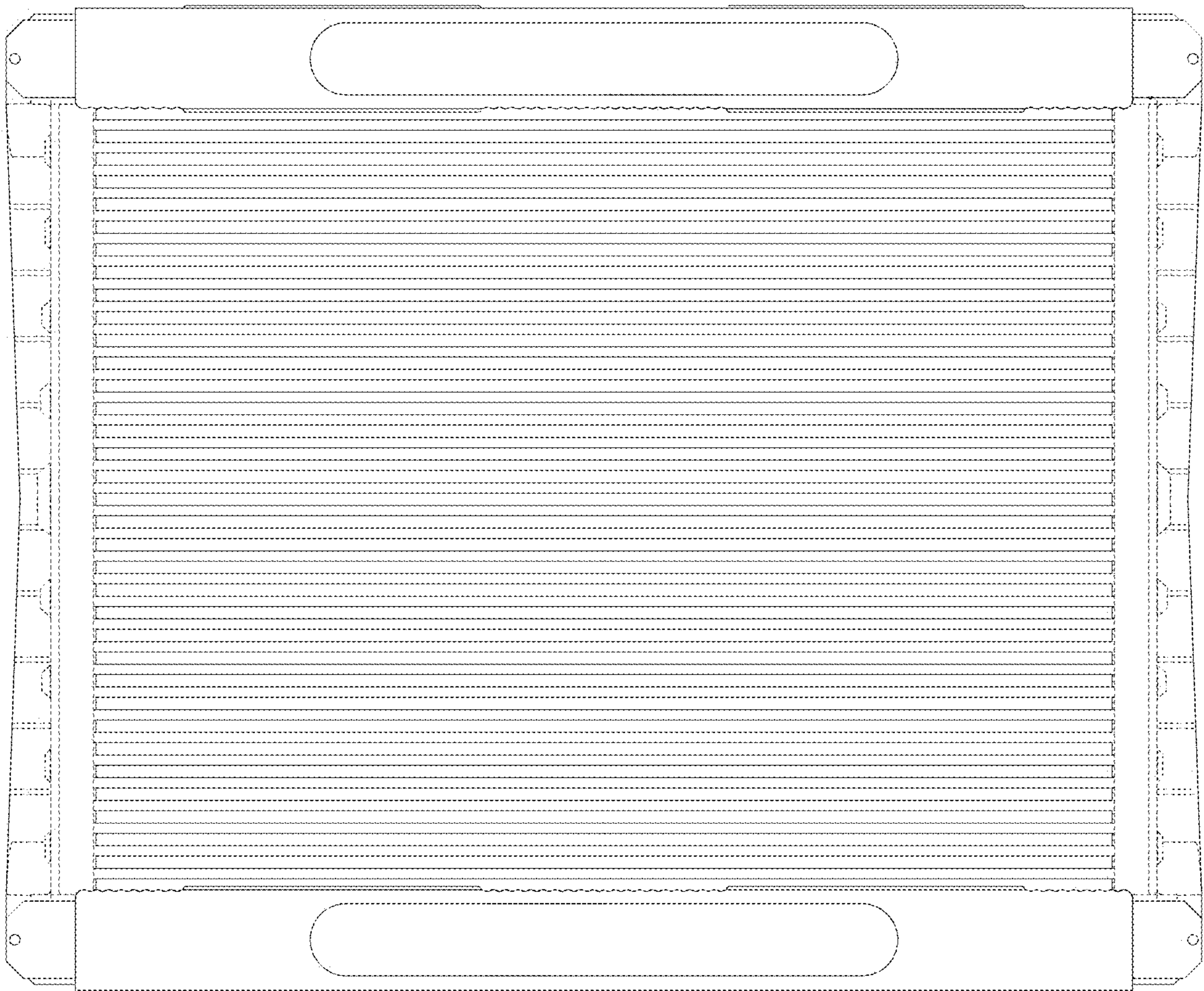
1 Claim, 14 Drawing Sheets



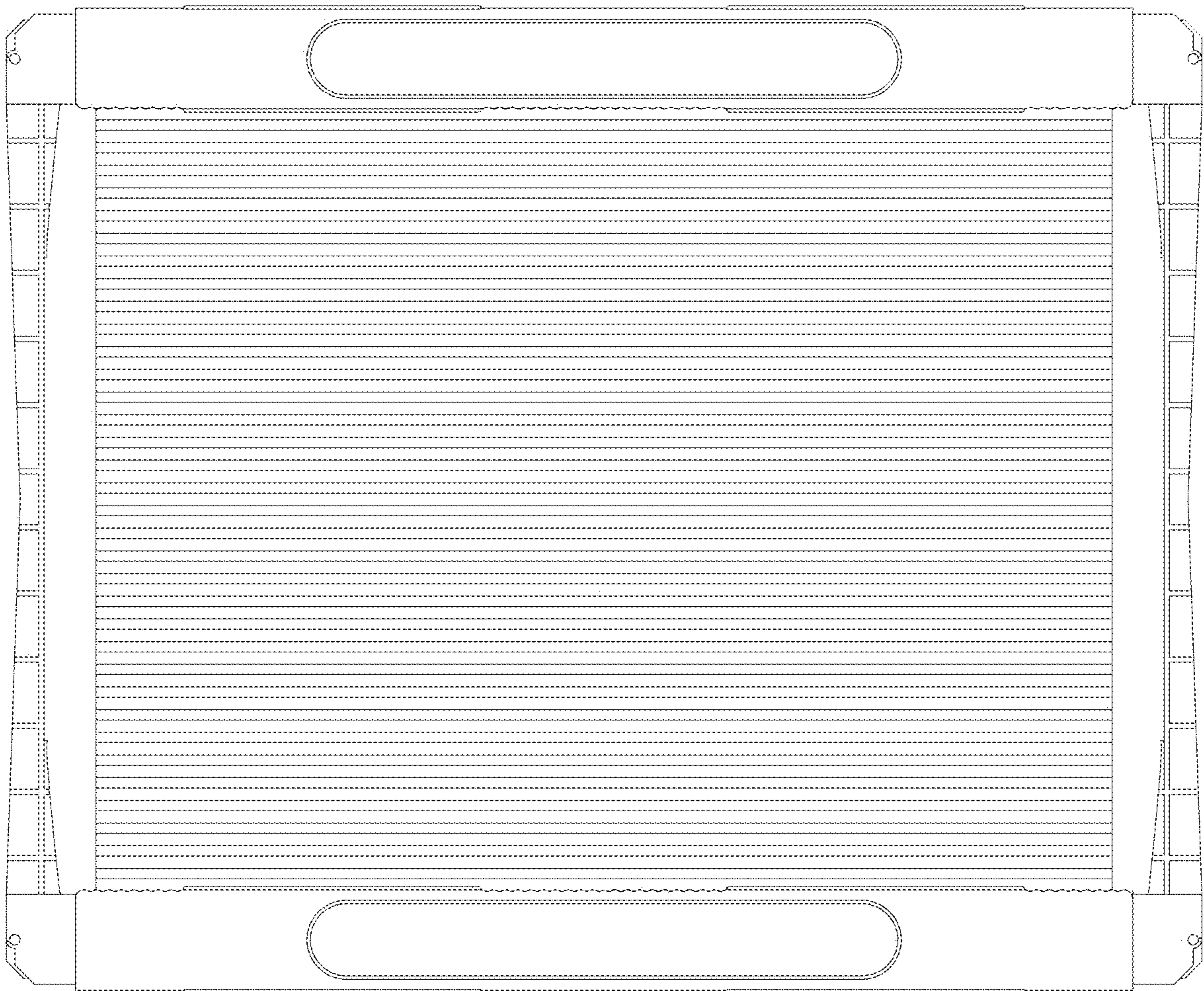
1.1



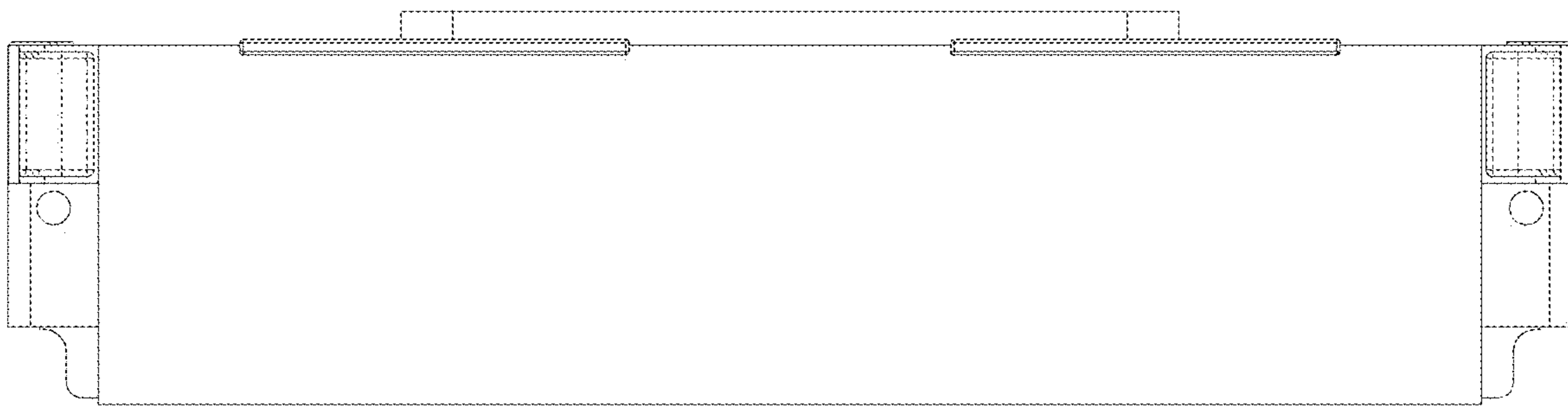
1.2



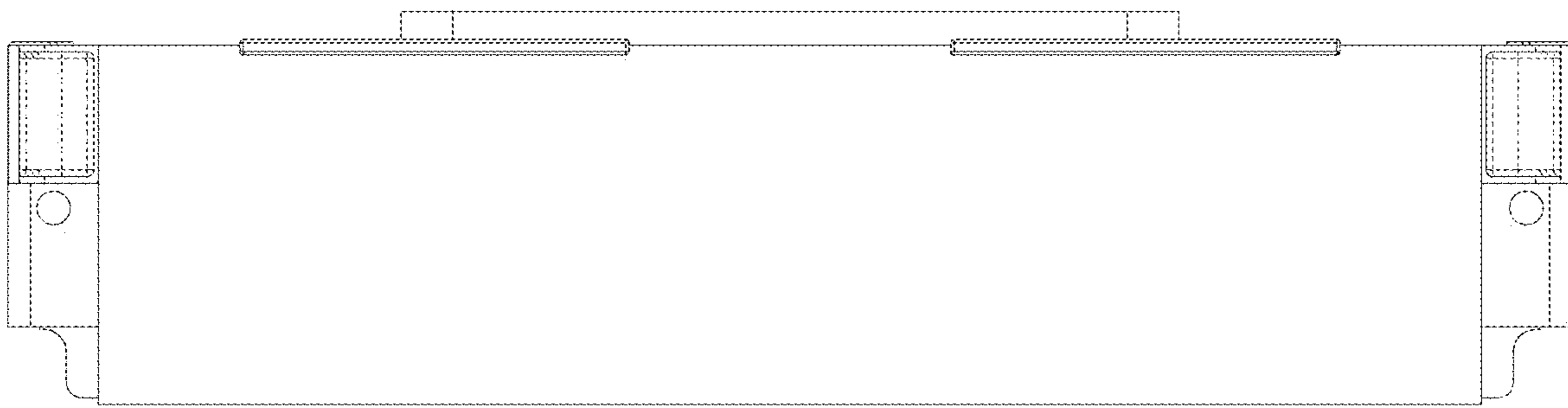
1.3



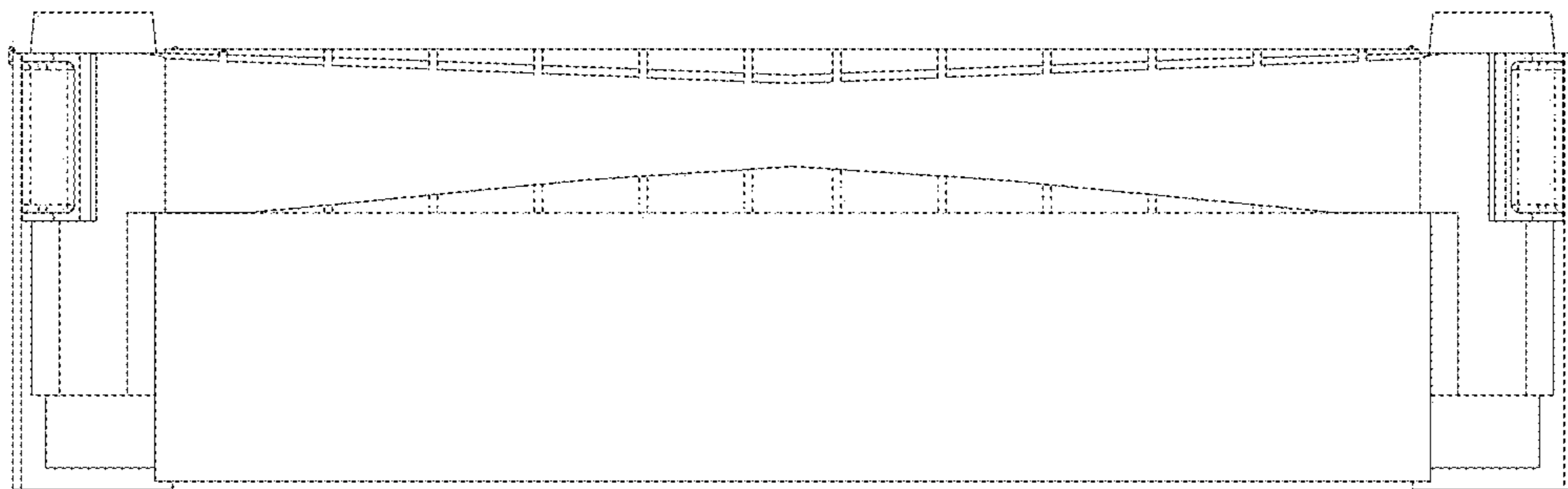
1.4



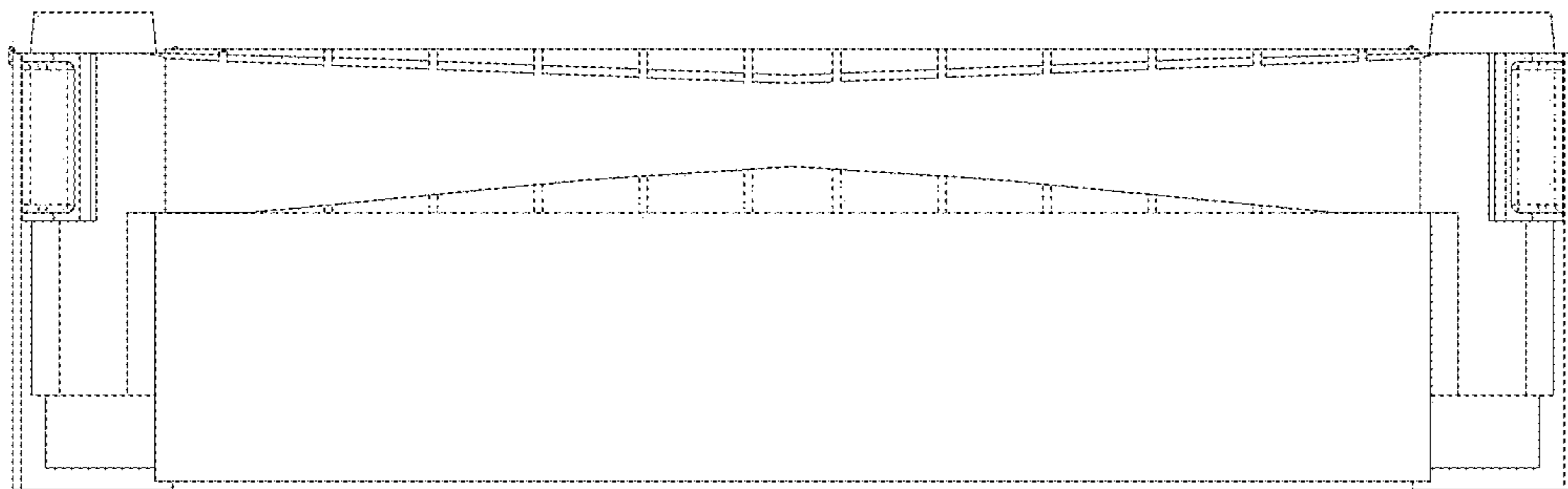
1.5



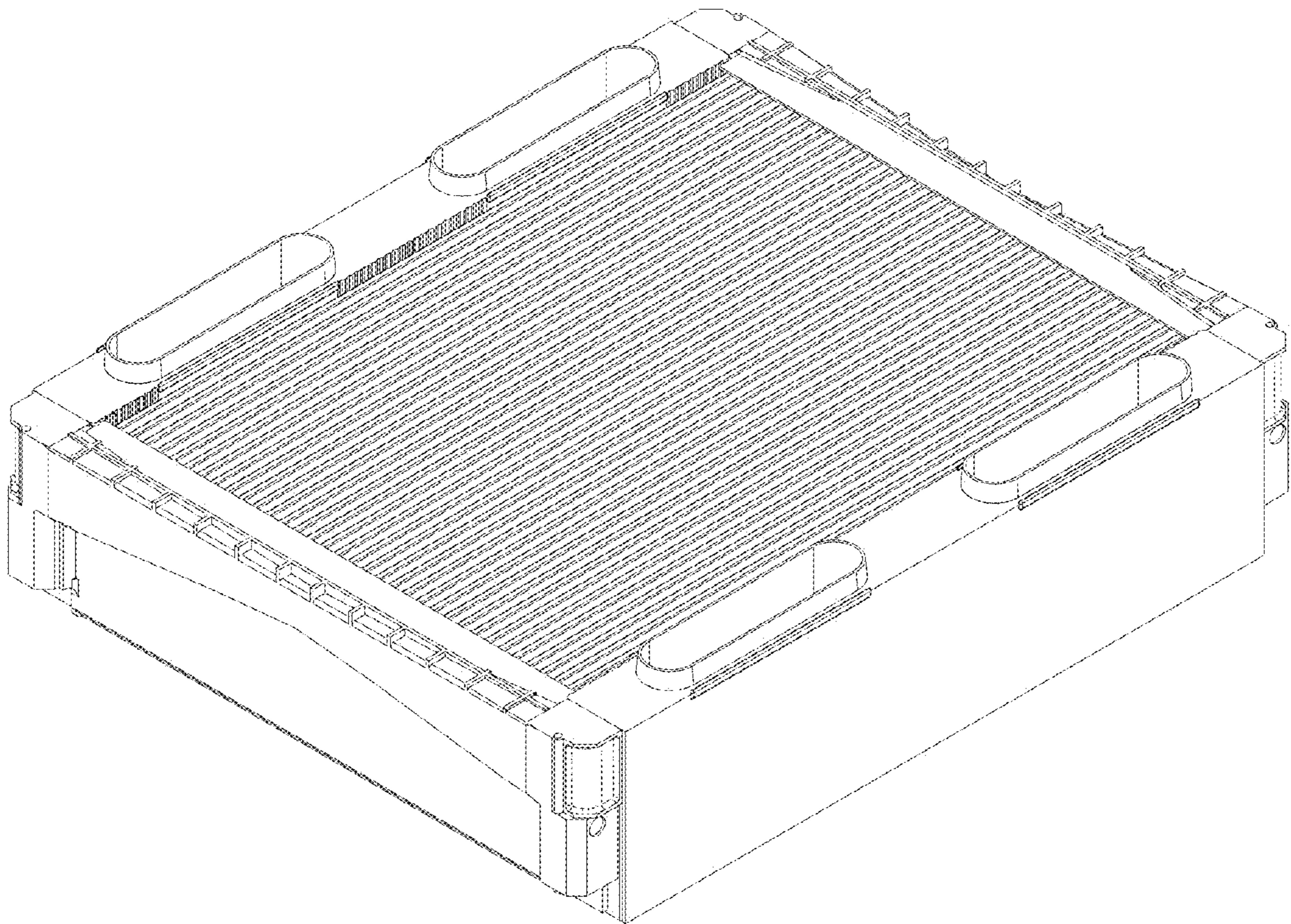
1.6



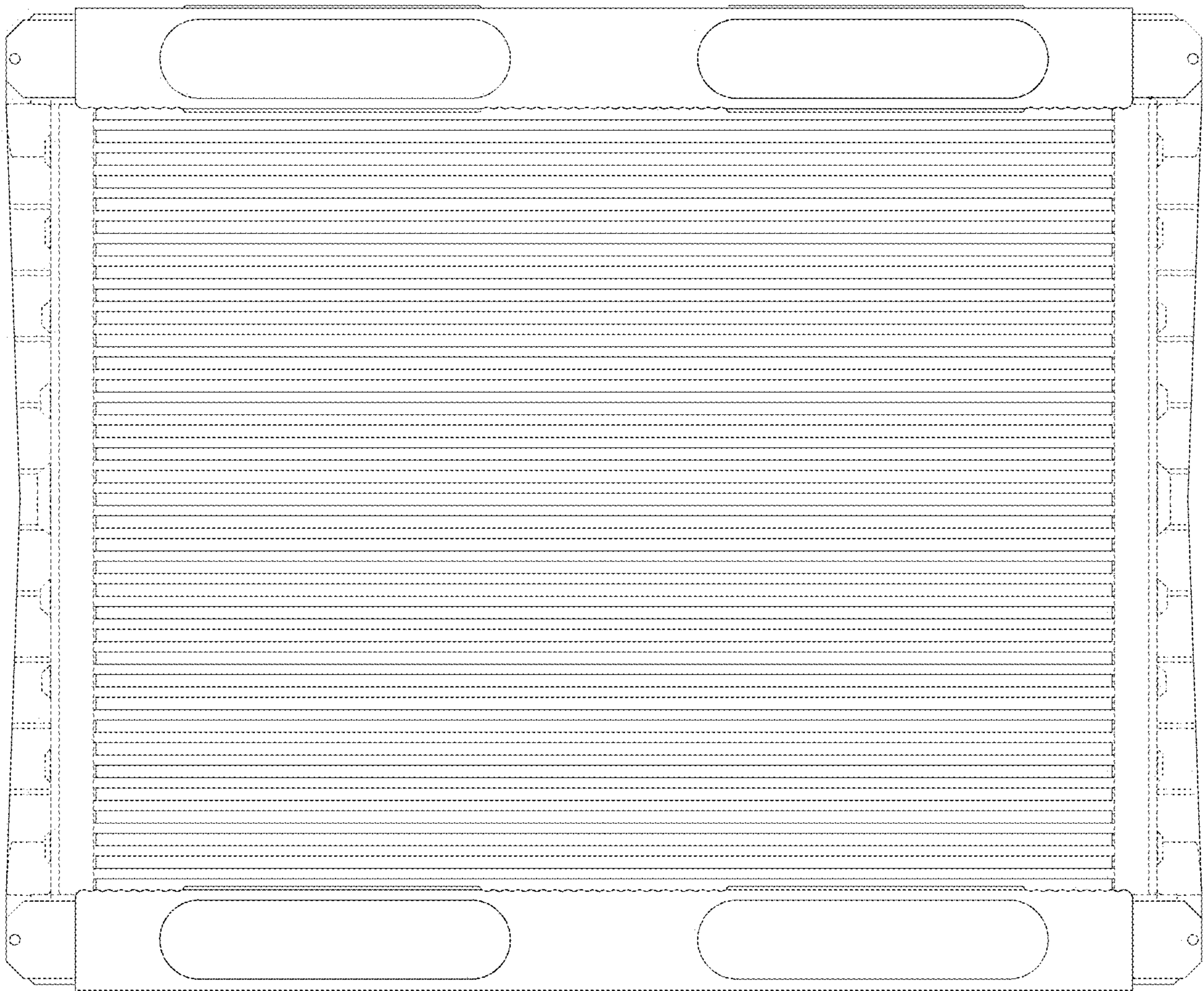
1.7



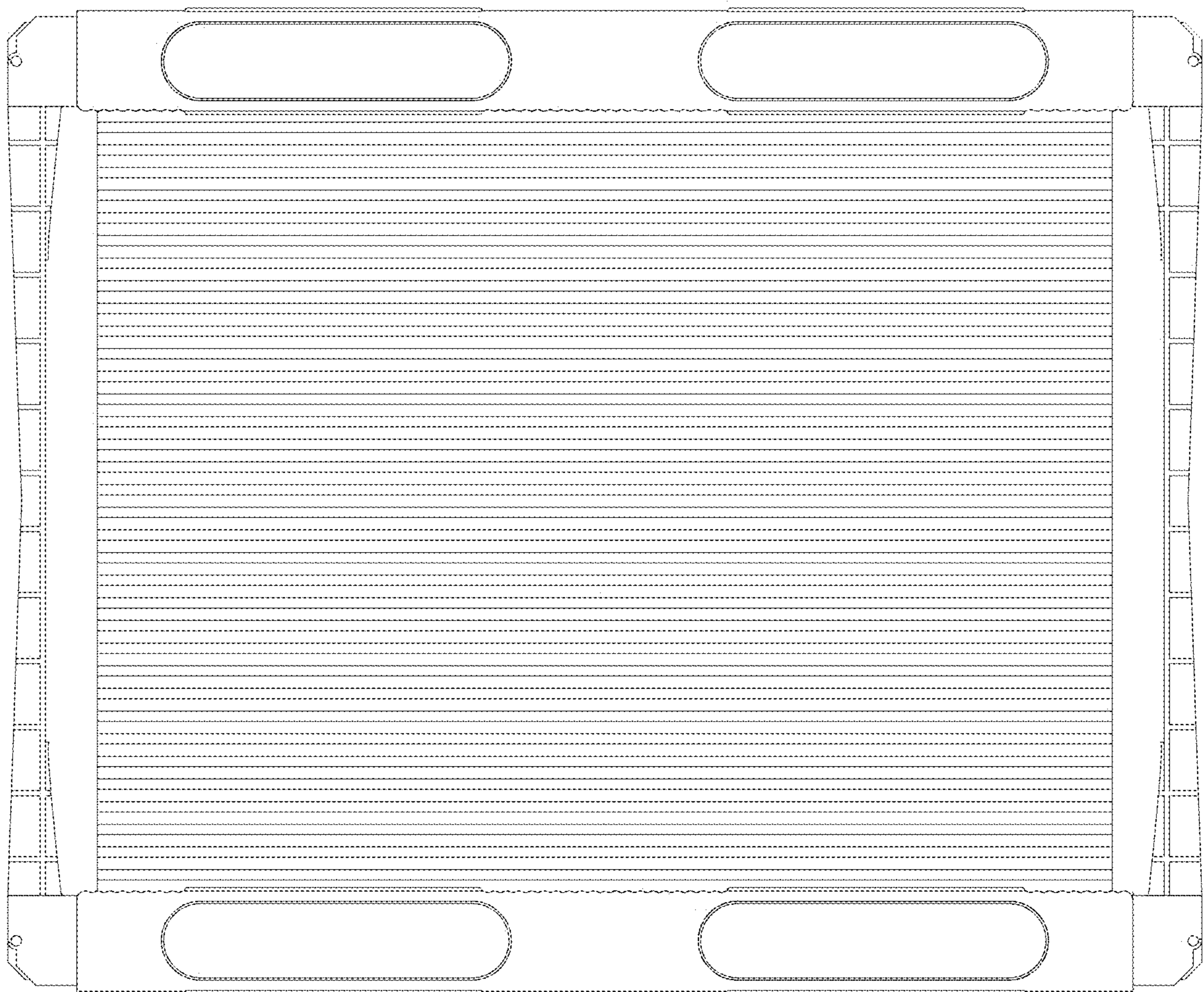
2.1



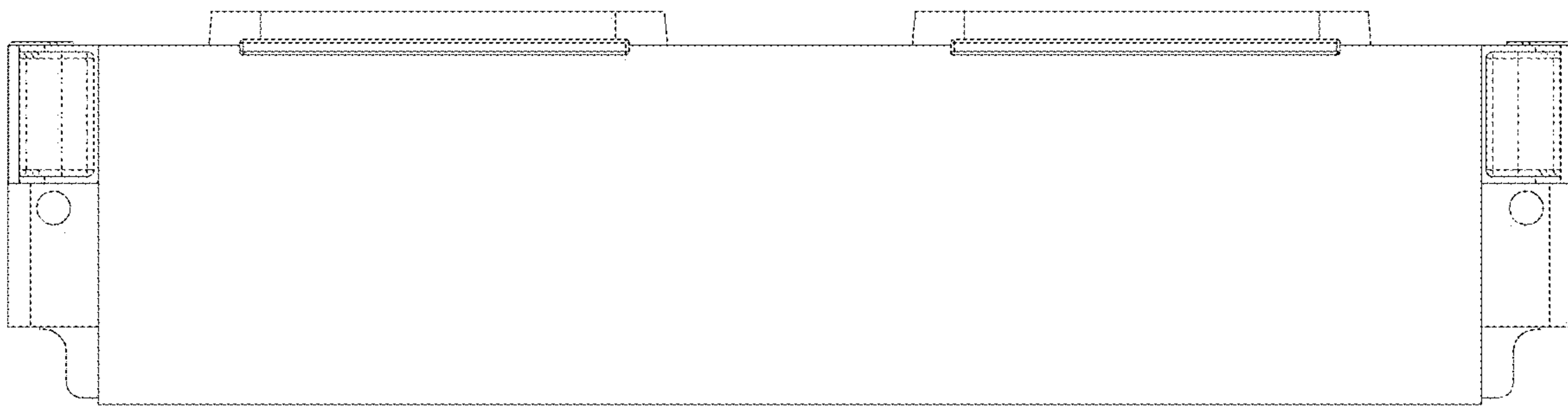
2.2



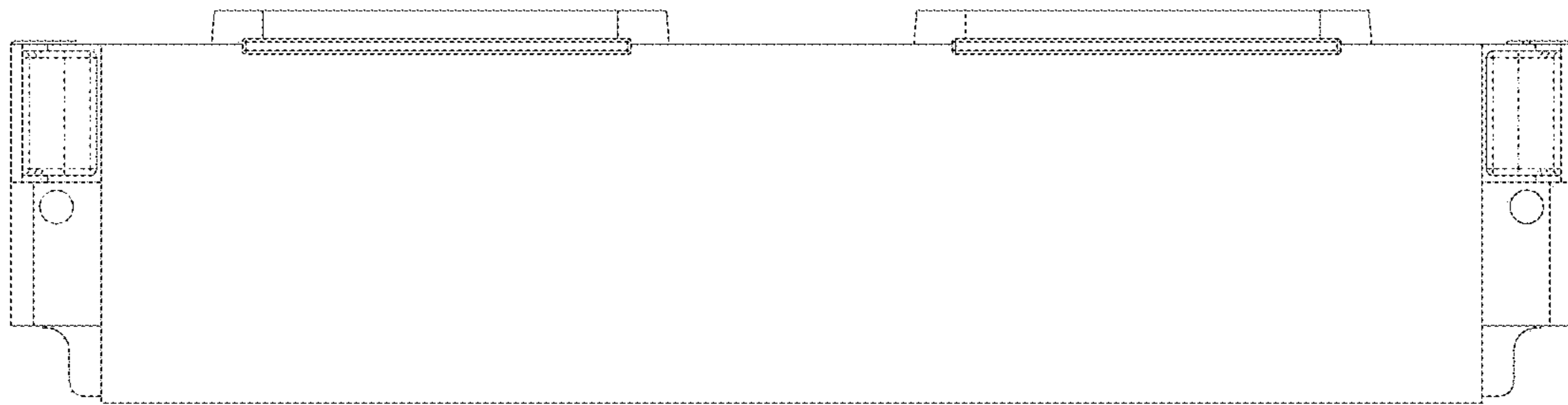
2.3



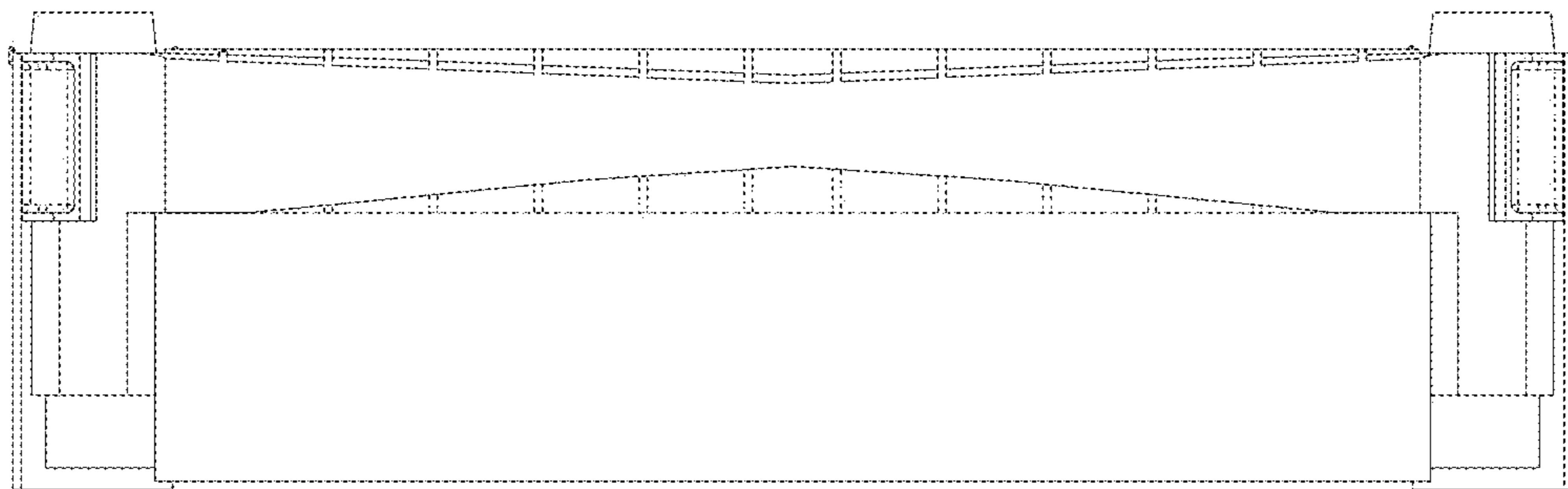
2.4



2.5



2.6



2.7

