



US00D878527S

(12) **United States Design Patent**
Qiu et al.

(10) **Patent No.:** **US D878,527 S**
(45) **Date of Patent:** **** Mar. 17, 2020**

(54) **OUTDOOR UNIT FOR CENTRAL AIR-CONDITIONING**
(71) Applicant: **MIDEA GROUP CO., LTD.**,
Guangdong (CN)
(72) Inventors: **Shilin Qiu**, Guangdong (CN); **Junfei He**,
Guangdong (CN); **Yang Li**, Guangdong (CN); **Jian Liao**,
Guangdong (CN)
(73) Assignee: **MIDEA GROUP CO., LTD.**, Foshan
(CN)

D653,740 S * 2/2012 Satou D23/351
D653,741 S * 2/2012 Tsuji D23/351
D683,836 S * 6/2013 Suzuki D23/351
D758,309 S * 6/2016 Terada D13/112
D777,893 S * 1/2017 Kato D23/351
D804,000 S * 11/2017 Nomura D23/351
D814,003 S * 3/2018 Morikawa D23/351
D814,004 S * 3/2018 Morikawa D23/351
D847,322 S * 4/2019 Murofushi D23/351

* cited by examiner

Primary Examiner — Khawaja Anwar

(74) *Attorney, Agent, or Firm* — Morgan, Lewis & Bockius LLP

(**) Term: **15 Years**

(21) Appl. No.: **35/505,689**

(22) Filed: **Mar. 15, 2018**

(80) **Hague Agreement Data**

Int. Filing Date: **Mar. 15, 2018**
Int. Reg. No.: **DM/101145**
Int. Reg. Date: **Mar. 15, 2018**
Int. Reg. Pub. Date: **Sep. 21, 2018**

(30) **Foreign Application Priority Data**

Sep. 18, 2017 (CN) 2017 3 0441445

(51) **LOC (12) Cl.** **23-02**

(52) **U.S. Cl.**
USPC **D23/351**

(58) **Field of Classification Search**
USPC D23/33, 335, 341, 342, 351, 353, 354,
D23/355, 356, 359, 364, 365
See application file for complete search history.

(56) **References Cited**

U.S. PATENT DOCUMENTS

D604,400 S * 11/2009 Sata D23/351
D617,886 S * 6/2010 Sata D23/351
D628,685 S * 12/2010 Aoyama D23/351

(57) **CLAIM**

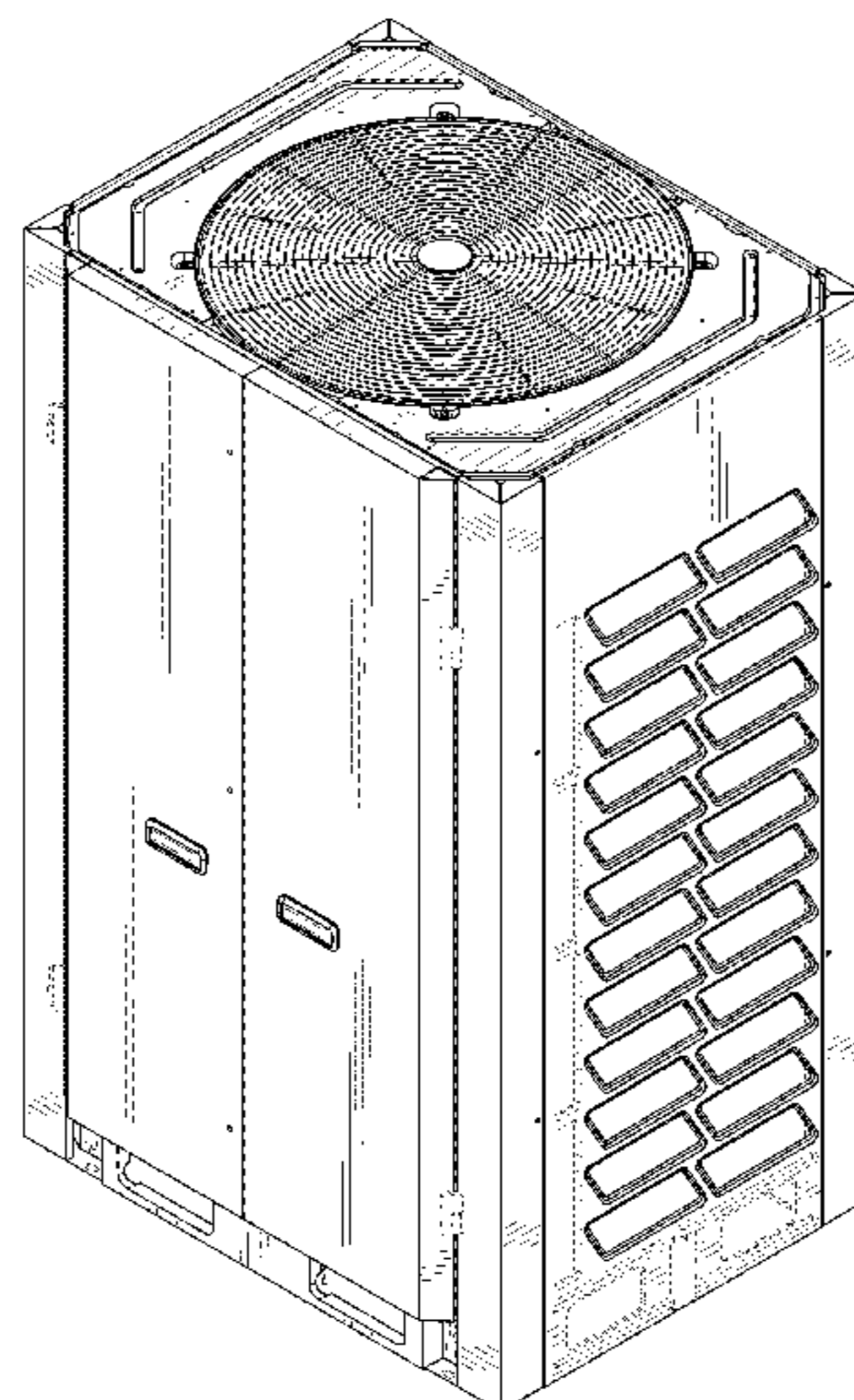
The ornamental design for an outdoor unit for central air-conditioning, as shown and described.

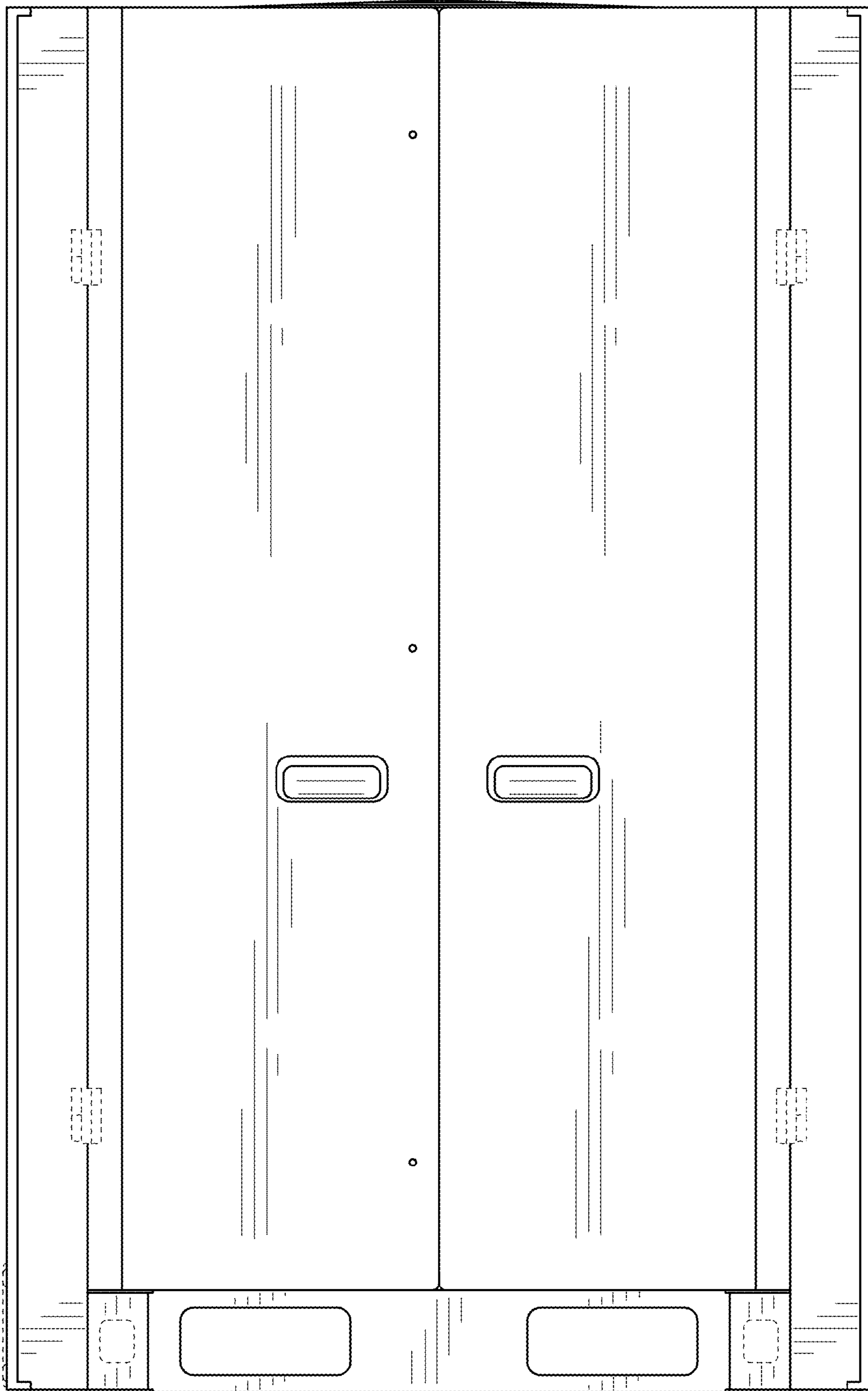
DESCRIPTION

- 1.1 : Front
- 1.2 : Back
- 1.3 : Left
- 1.4 : Right
- 1.5 : Top
- 1.6 : Bottom
- 1.7 : Front Perspective
- 1.8 : Rear Perspective
- 2.1 : Front
- 2.2 : Back
- 2.3 : Left
- 2.4 : Right
- 2.5 : Top
- 2.6 : Bottom
- 2.7 : Front Perspective
- 2.8 : Rear Perspective

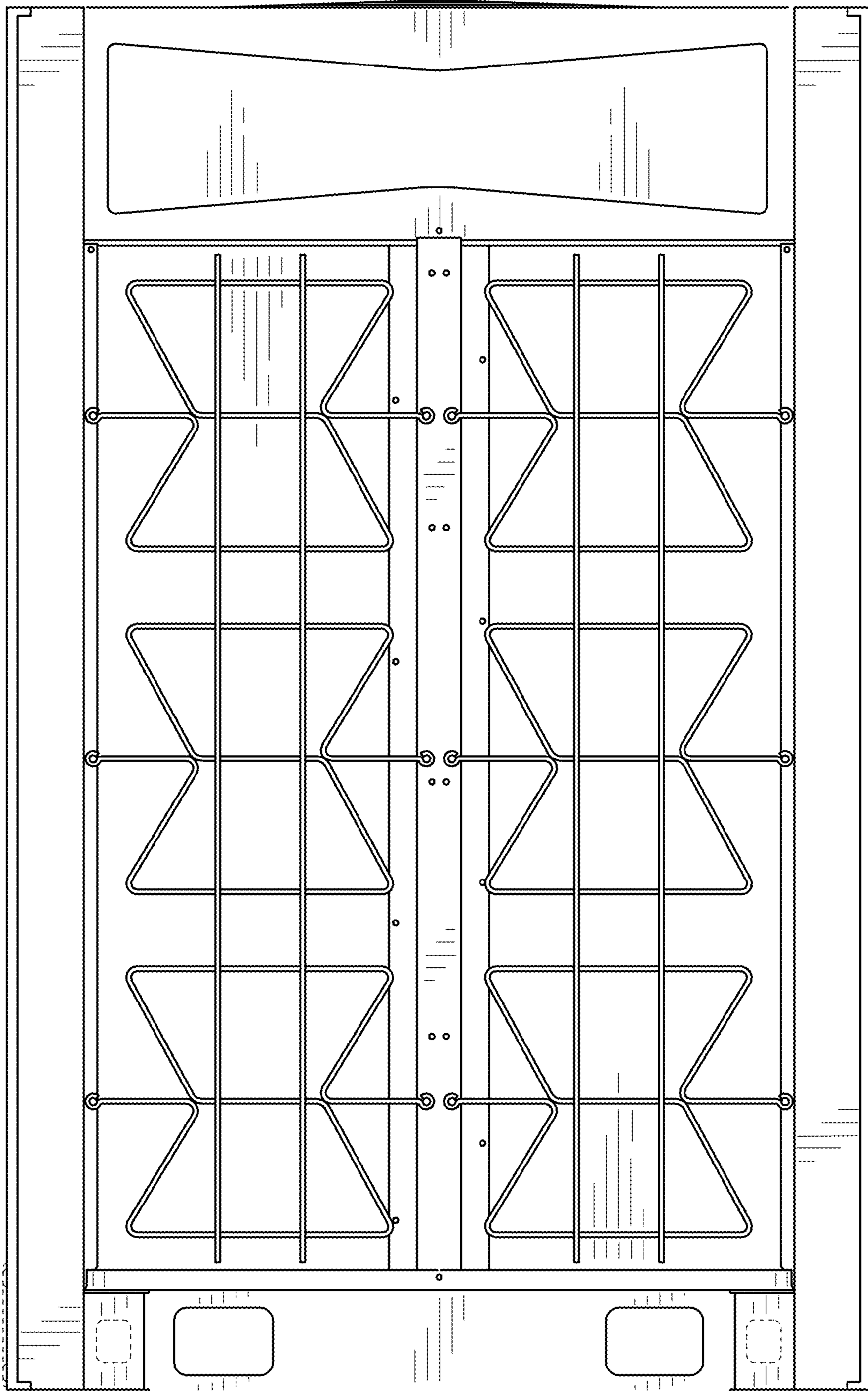
The broken lines immediately adjacent the shaded areas represent the bounds of the claimed design, while all other broken lines are directed to unclaimed portions and are for illustrative purposes only; the broken lines form no part of the claimed design.

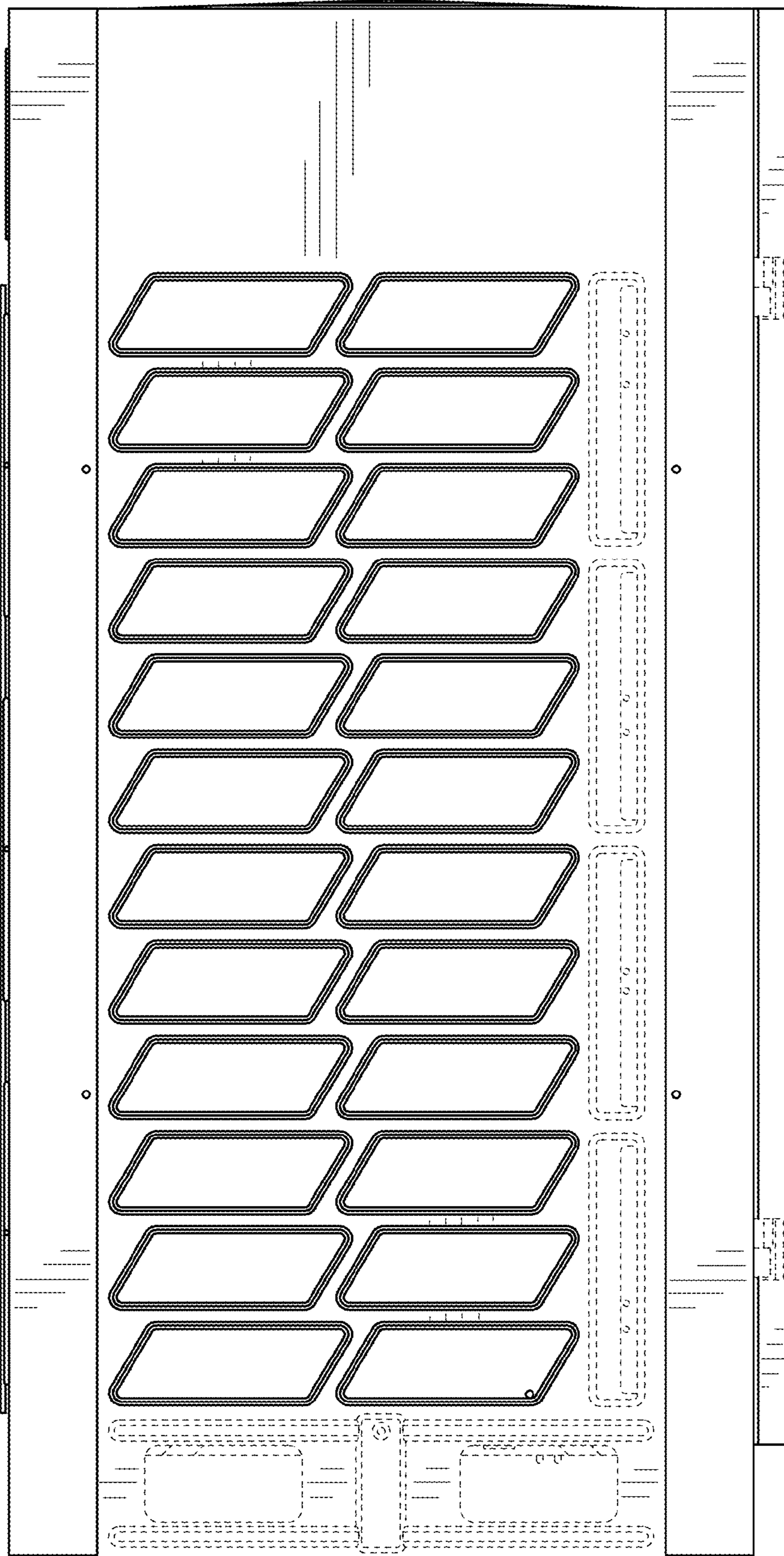
1 Claim, 16 Drawing Sheets

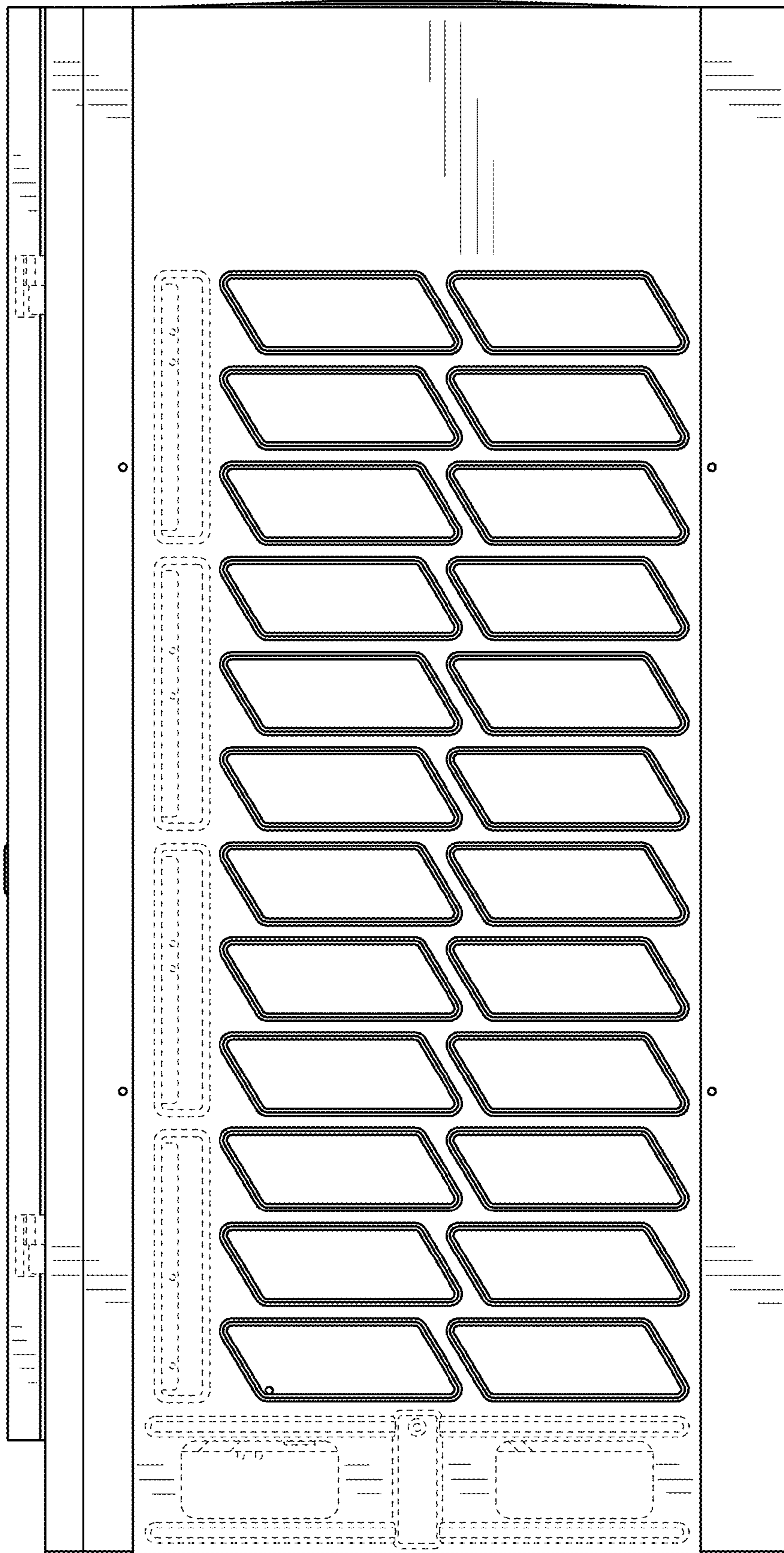


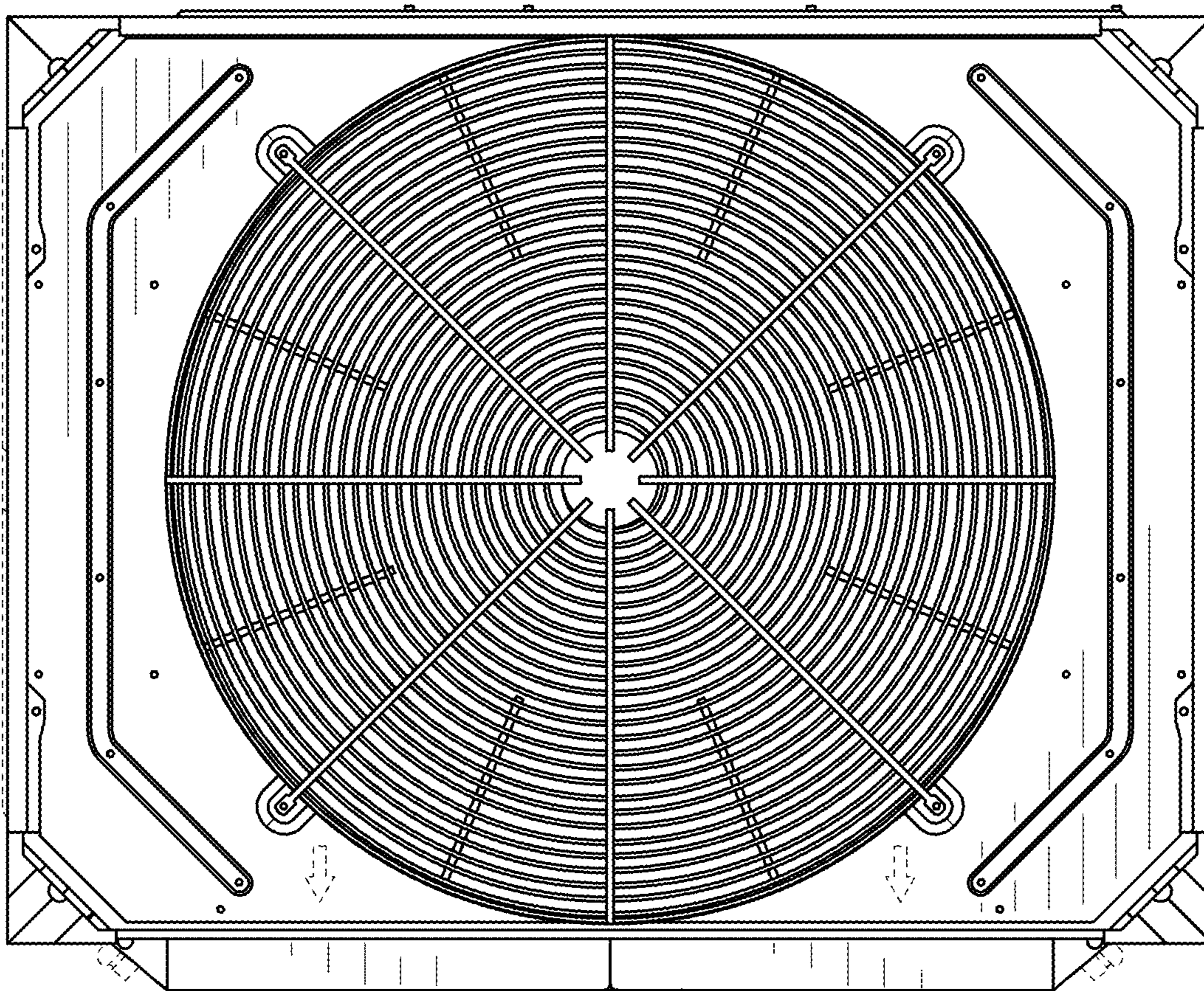


1.1

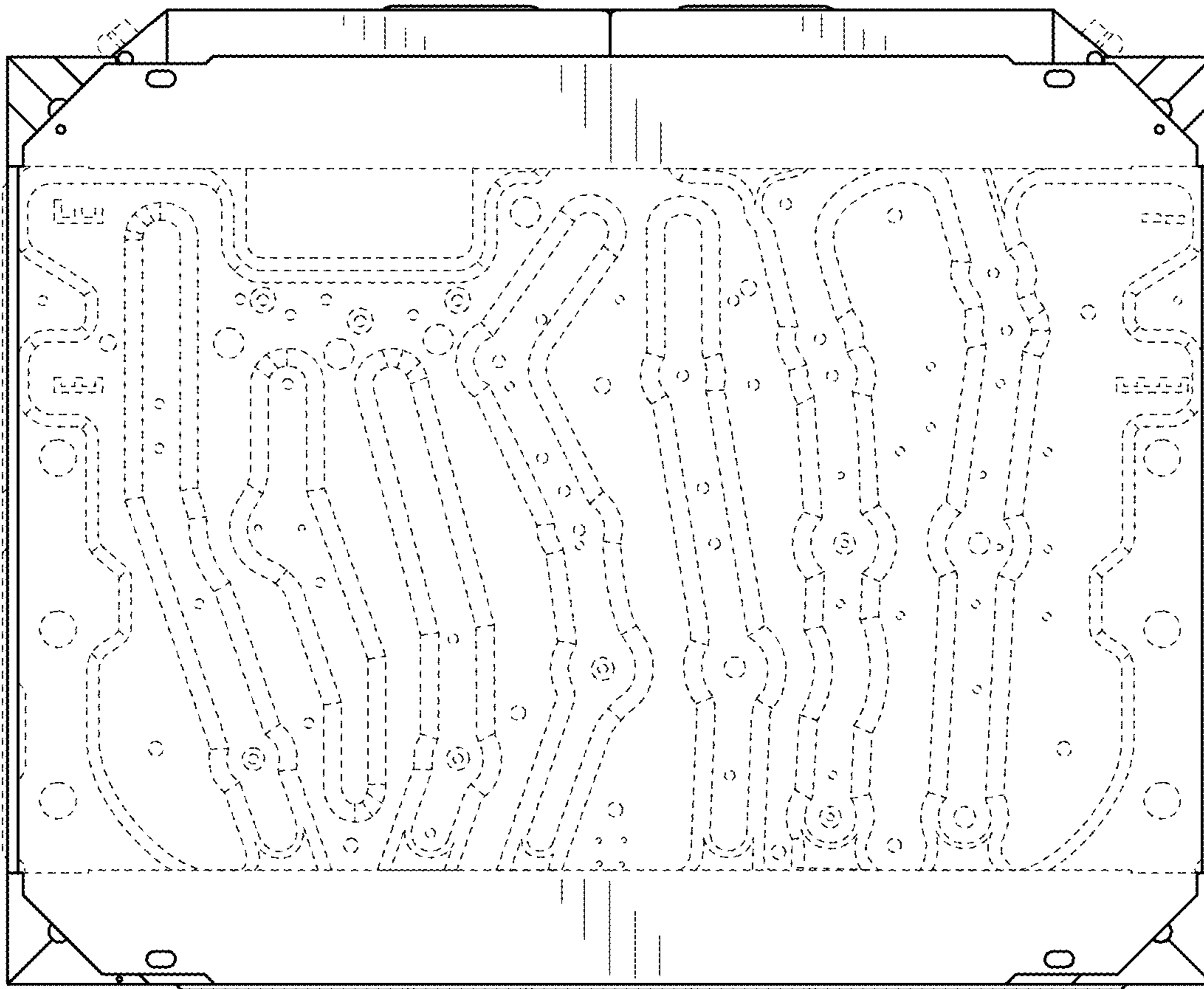




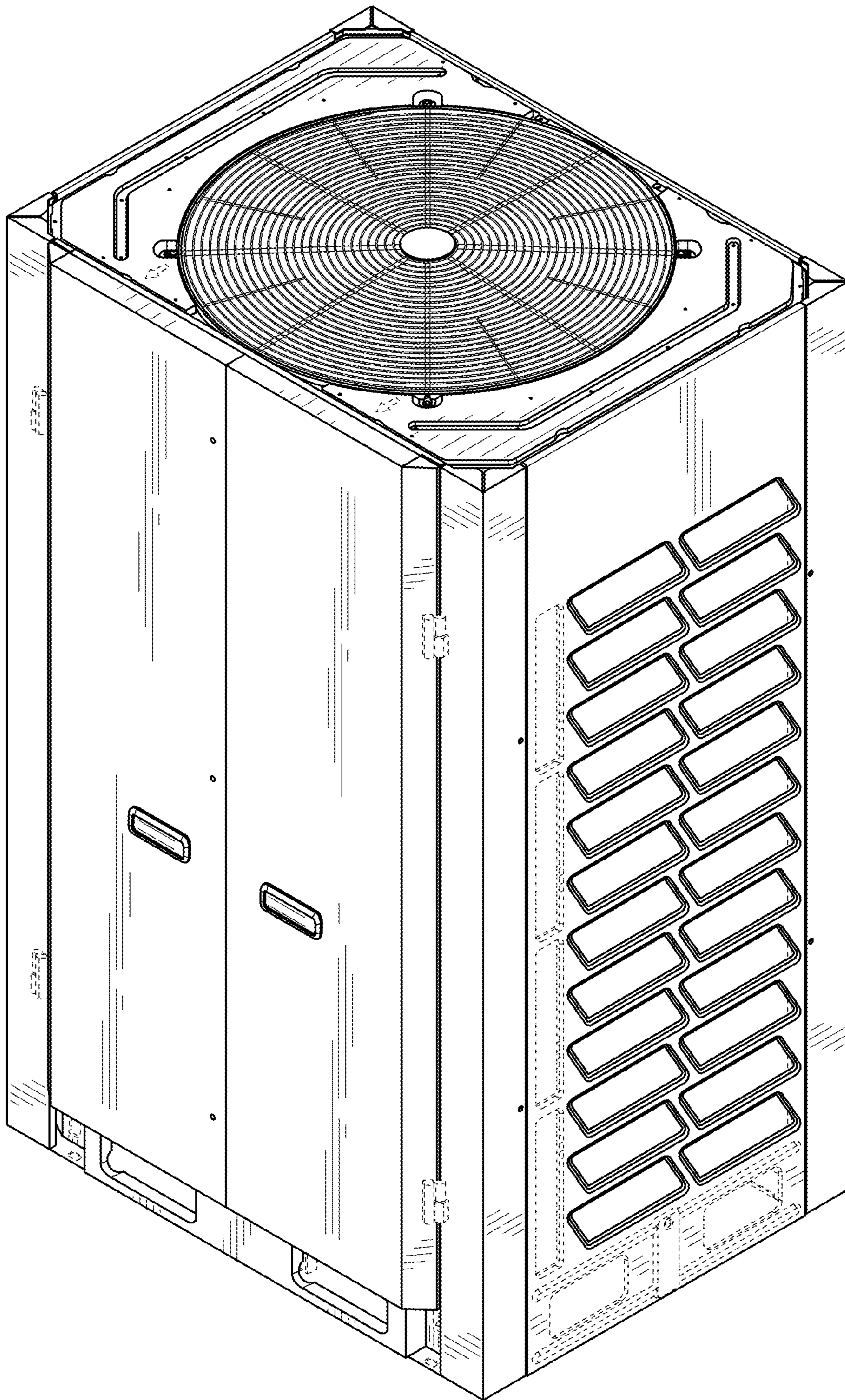




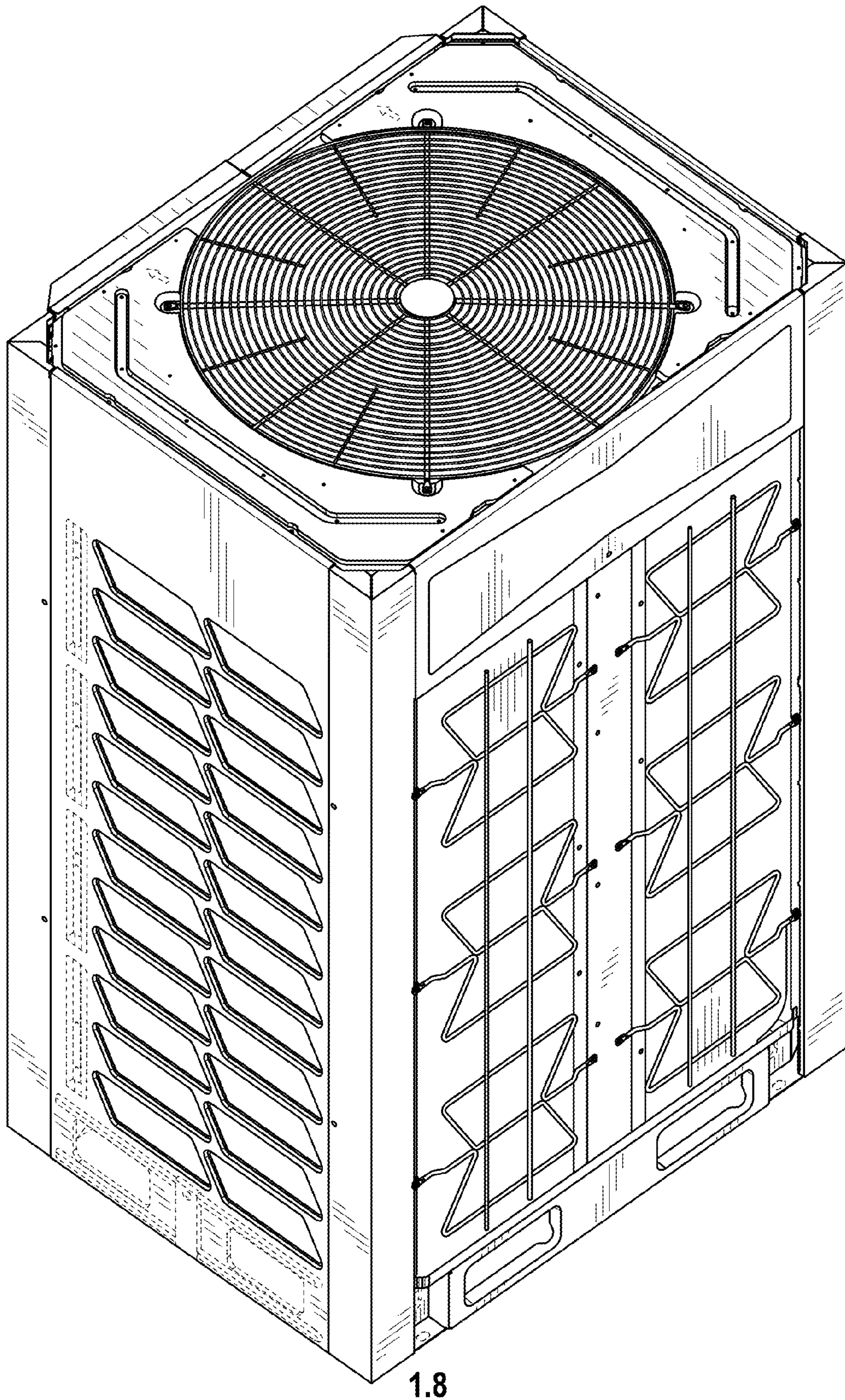
1.5



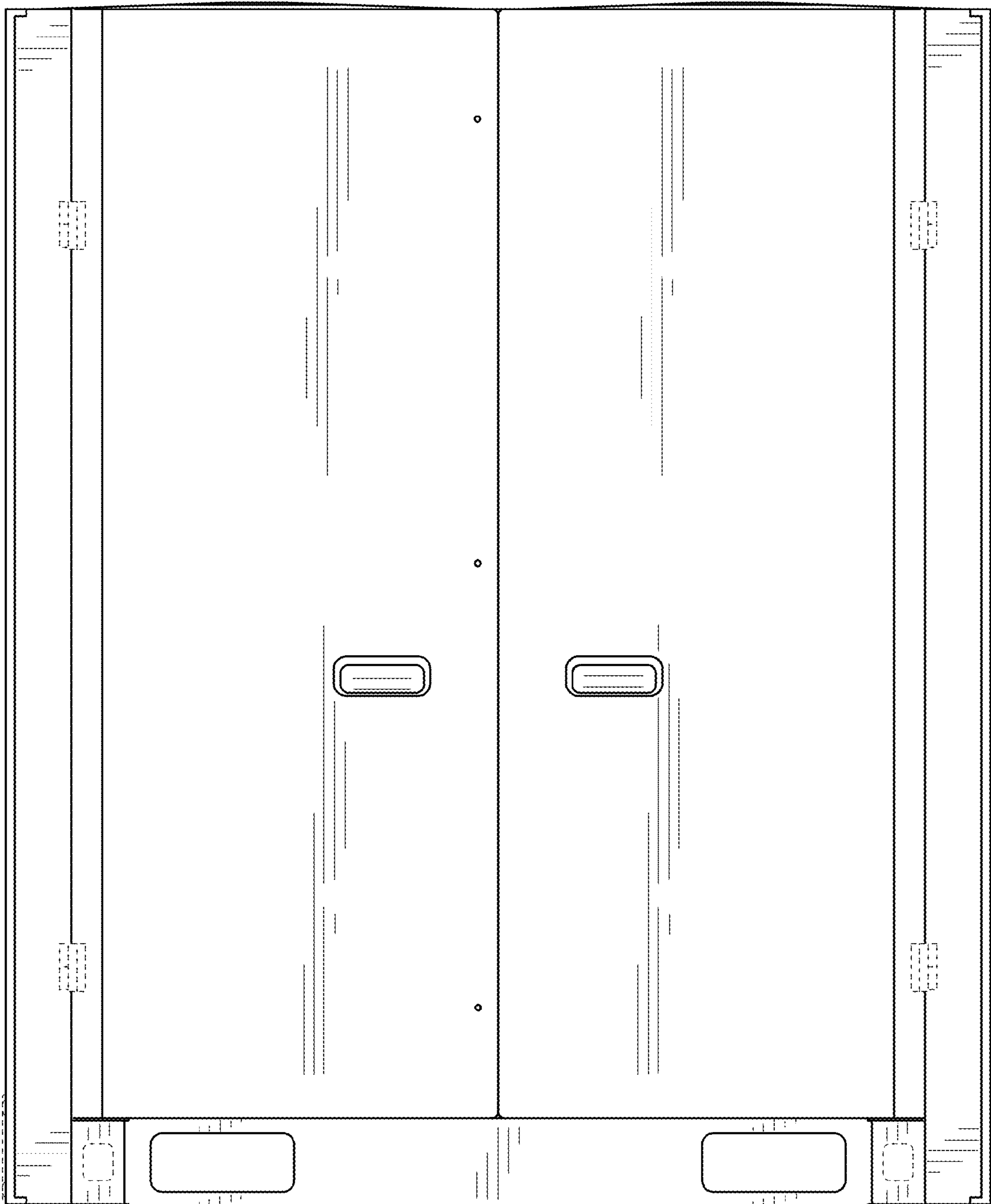
1.6



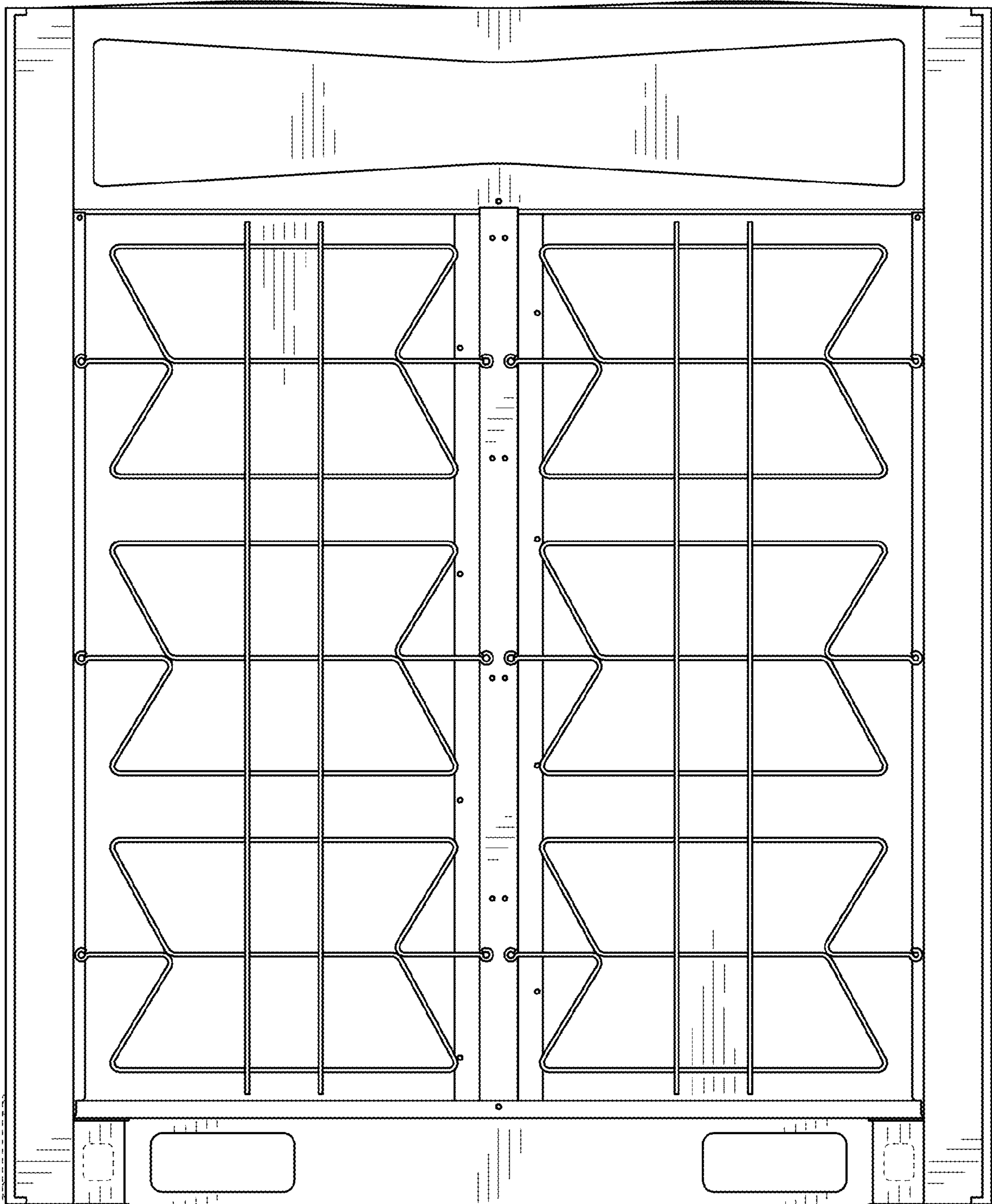
1.7

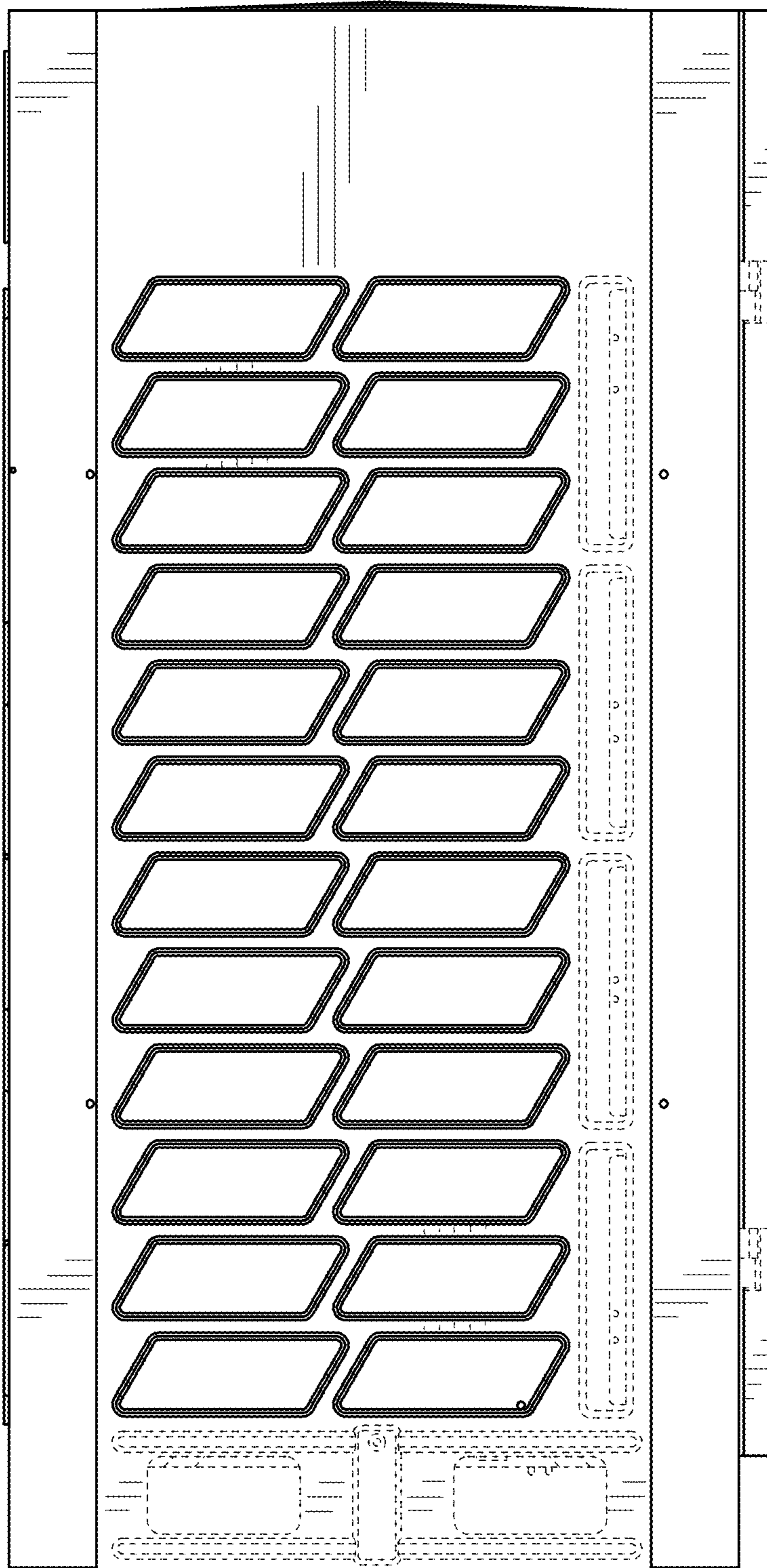


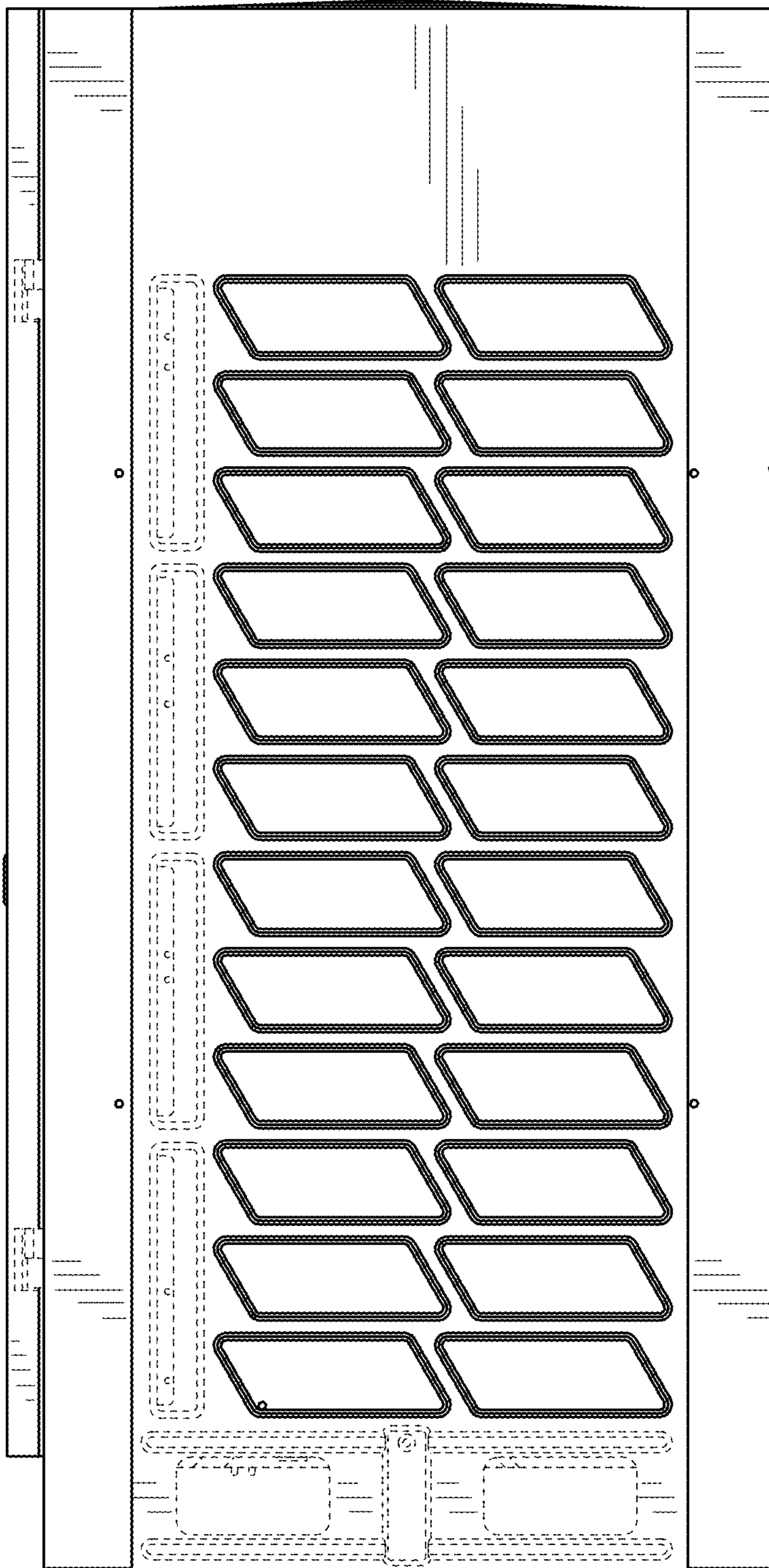
1.8

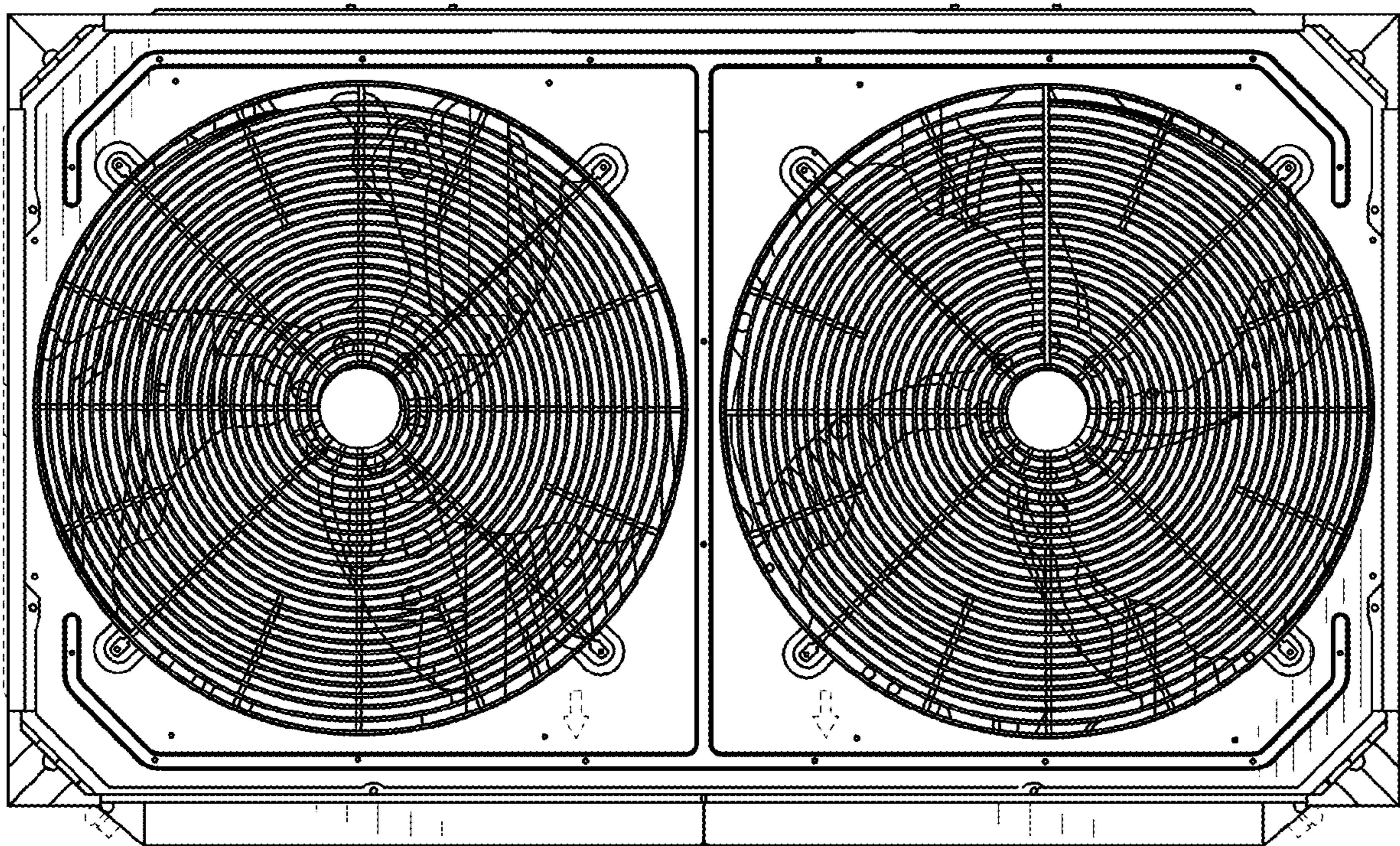


2.1

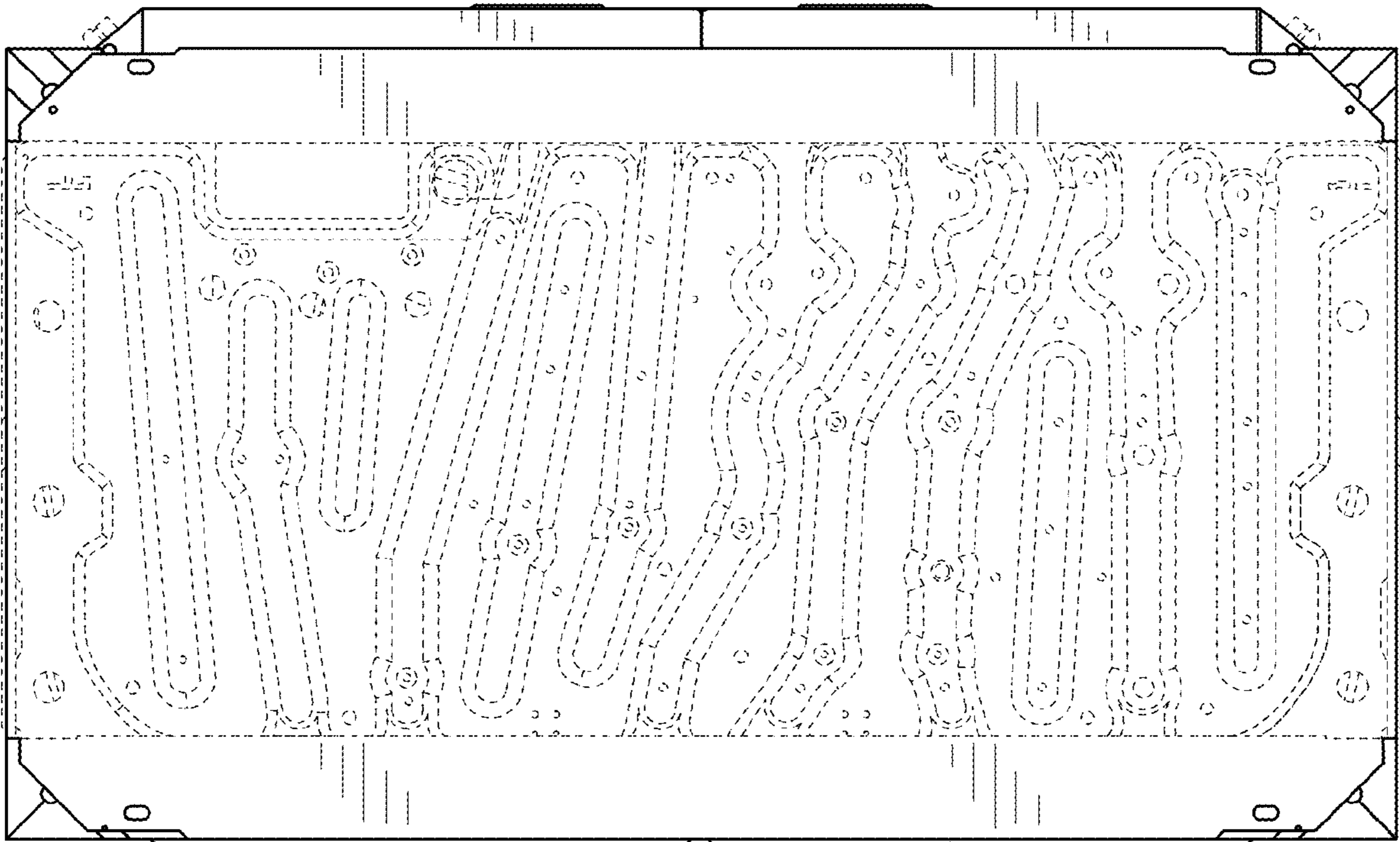








2.5



2.6

