



US00D878526S

(12) **United States Design Patent**  
**Kobayashi**

(10) **Patent No.:** **US D878,526 S**

(45) **Date of Patent:** **\*\* Mar. 17, 2020**

(54) **WASHBASIN**

(71) Applicant: **LIXIL Corporation**, Tokyo (JP)

(72) Inventor: **Hiroshi Kobayashi**, Tokyo (JP)

(73) Assignee: **LIXIL Corporation**, Koto-ku, Tokyo (JP)

(\*\*) Term: **15 Years**

(21) Appl. No.: **29/681,322**

(22) Filed: **Feb. 25, 2019**

(30) **Foreign Application Priority Data**

Oct. 17, 2018 (JP) ..... 2018-022825

(51) **LOC (12) Cl.** ..... **23-02**

(52) **U.S. Cl.**  
USPC ..... **D23/284**

(58) **Field of Classification Search**  
USPC ..... D23/284, 293.1, 308, 285–292  
See application file for complete search history.

(56) **References Cited**

**U.S. PATENT DOCUMENTS**

D632,766 S \* 2/2011 Matsuura ..... D23/284  
D806,841 S \* 1/2018 Stevenson ..... D23/293.1  
D823,999 S \* 7/2018 Stevenson ..... D23/308  
D840,003 S \* 2/2019 Starck ..... D23/284

**FOREIGN PATENT DOCUMENTS**

EM 003481142-0017 11/2016

**OTHER PUBLICATIONS**

Communication dated Jun. 4, 2019, from the Japanese Patent Office in counterpart application No. 2018-022825.

\* cited by examiner

*Primary Examiner* — Robert A Delehanty

(74) *Attorney, Agent, or Firm* — Sughrue Mion, PLLC

(57) **CLAIM**

The ornamental design for a washbasin, as shown and described.

**DESCRIPTION**

FIG. 1 is a perspective view of a washbasin showing my design;

FIG. 2 is a top plan view thereof;

FIG. 3 is a bottom plan view thereof;

FIG. 4 is a front elevation view thereof;

FIG. 5 is a rear elevation view thereof;

FIG. 6 is a right side elevation view thereof;

FIG. 7 is a left side elevation view thereof;

FIG. 8 is a cross-sectional view taken along the line 8-8 in FIG. 2; and,

FIG. 9 is a cross-sectional view taken along the line 9-9 in FIG. 2.

The dark portions in cross-sectional FIGS. 8 and 9 form no part of the claimed design.

**1 Claim, 9 Drawing Sheets**





FIG. 1

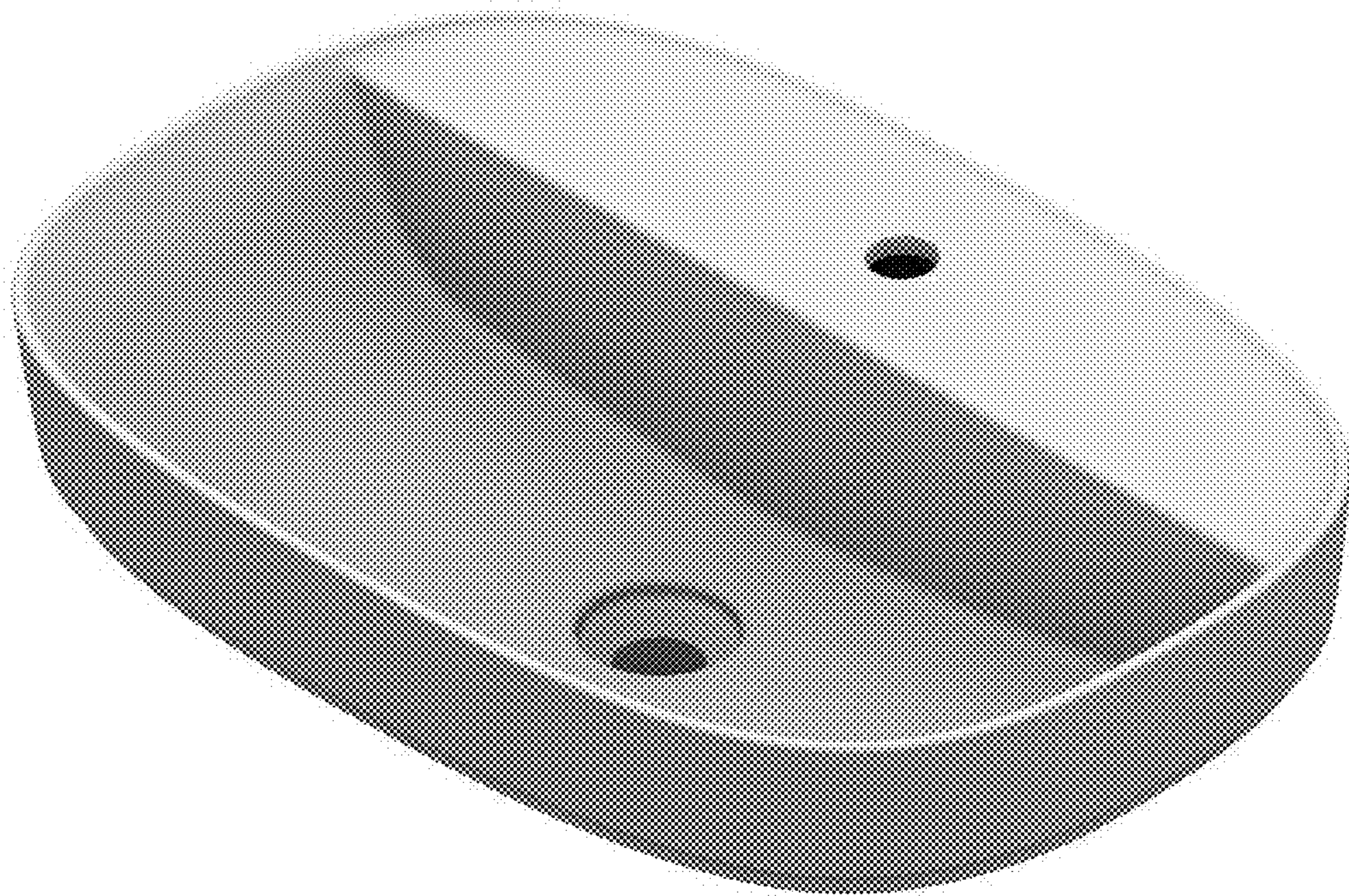


FIG. 2

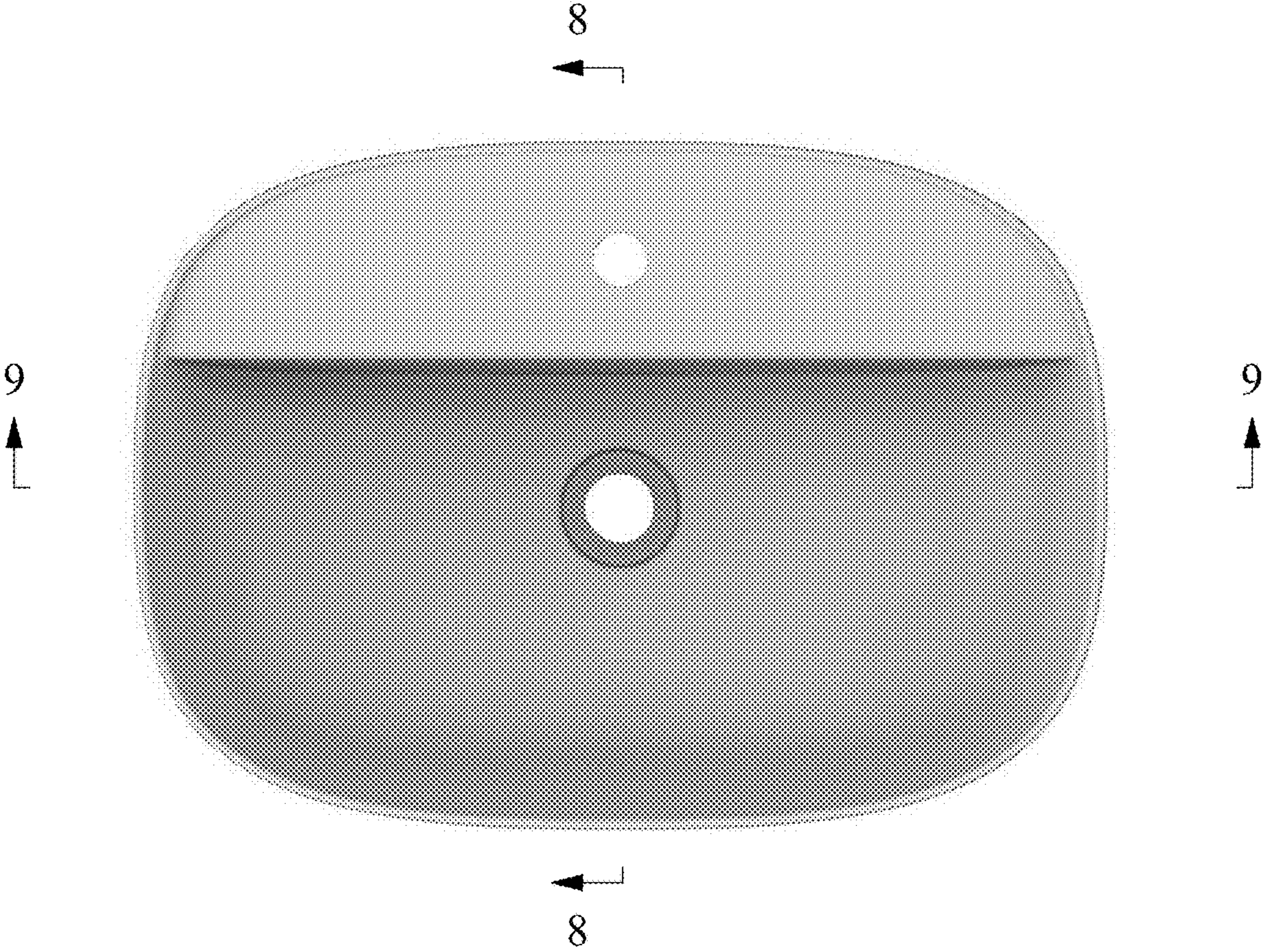




FIG. 3

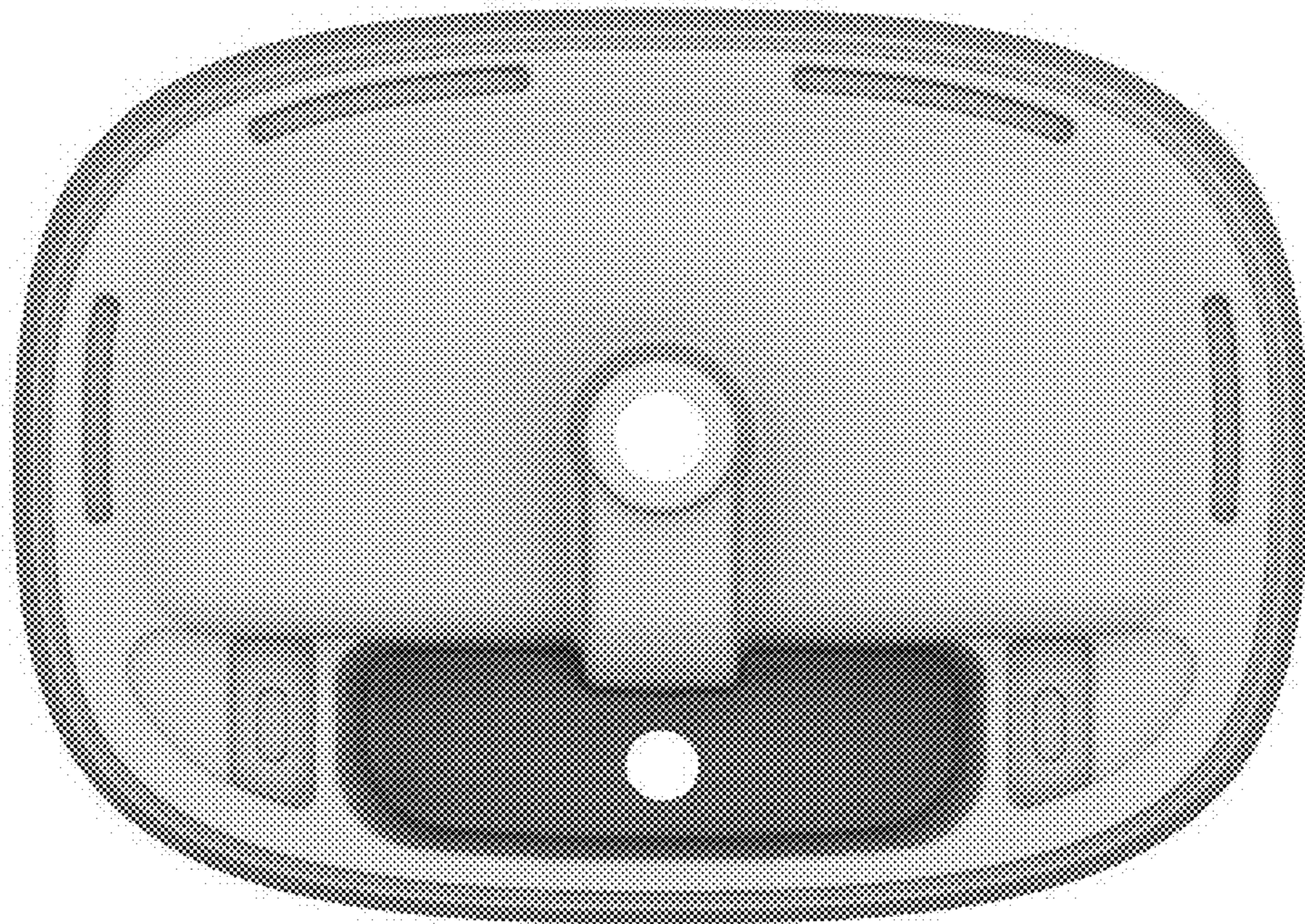


FIG. 4

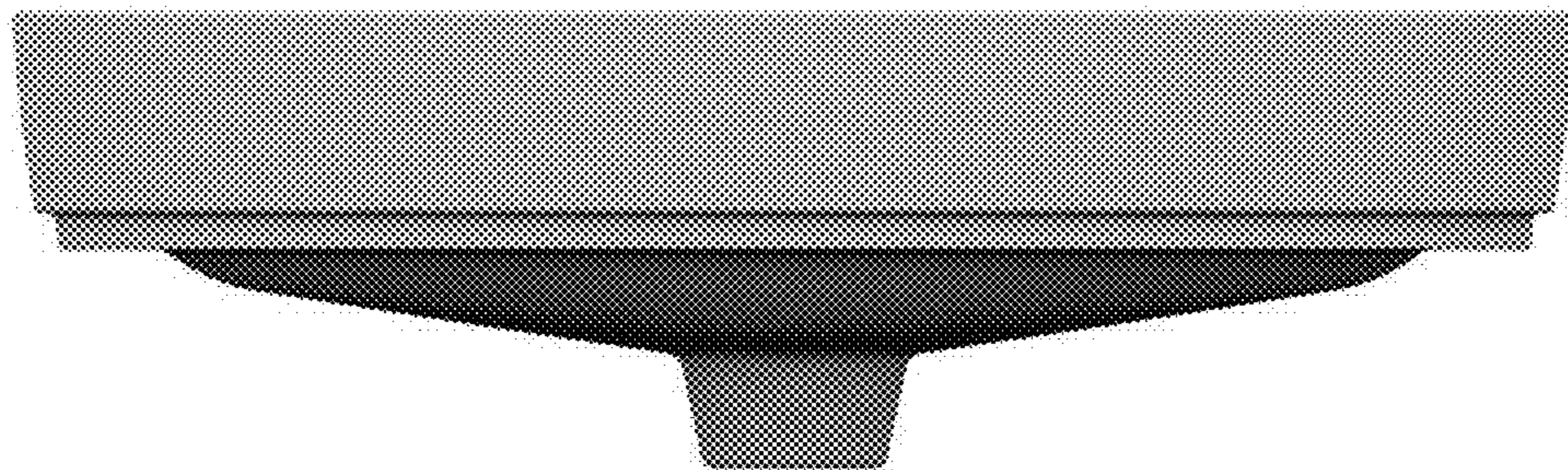


FIG. 5

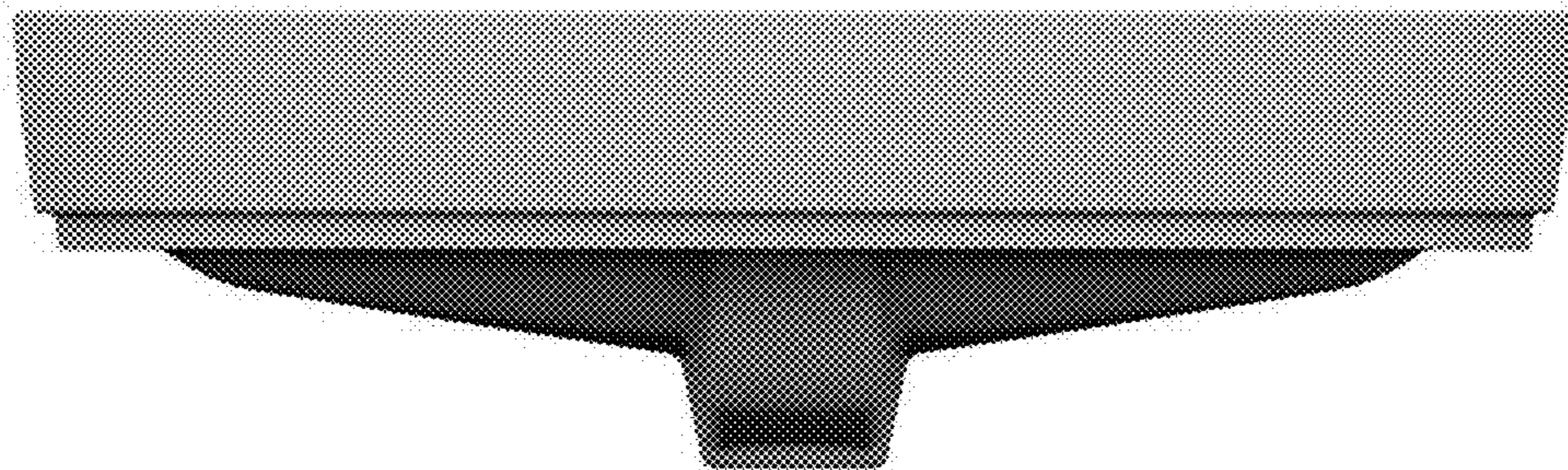




FIG. 6

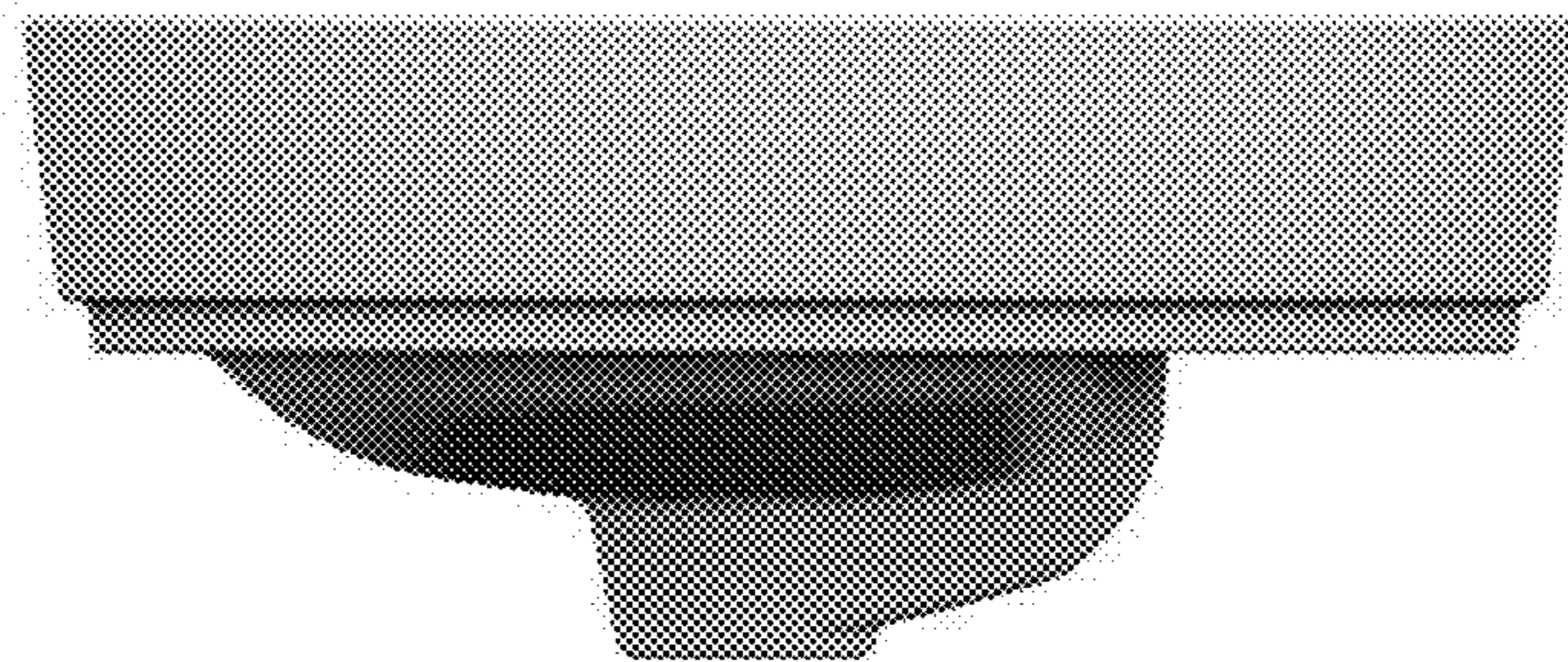


FIG. 7

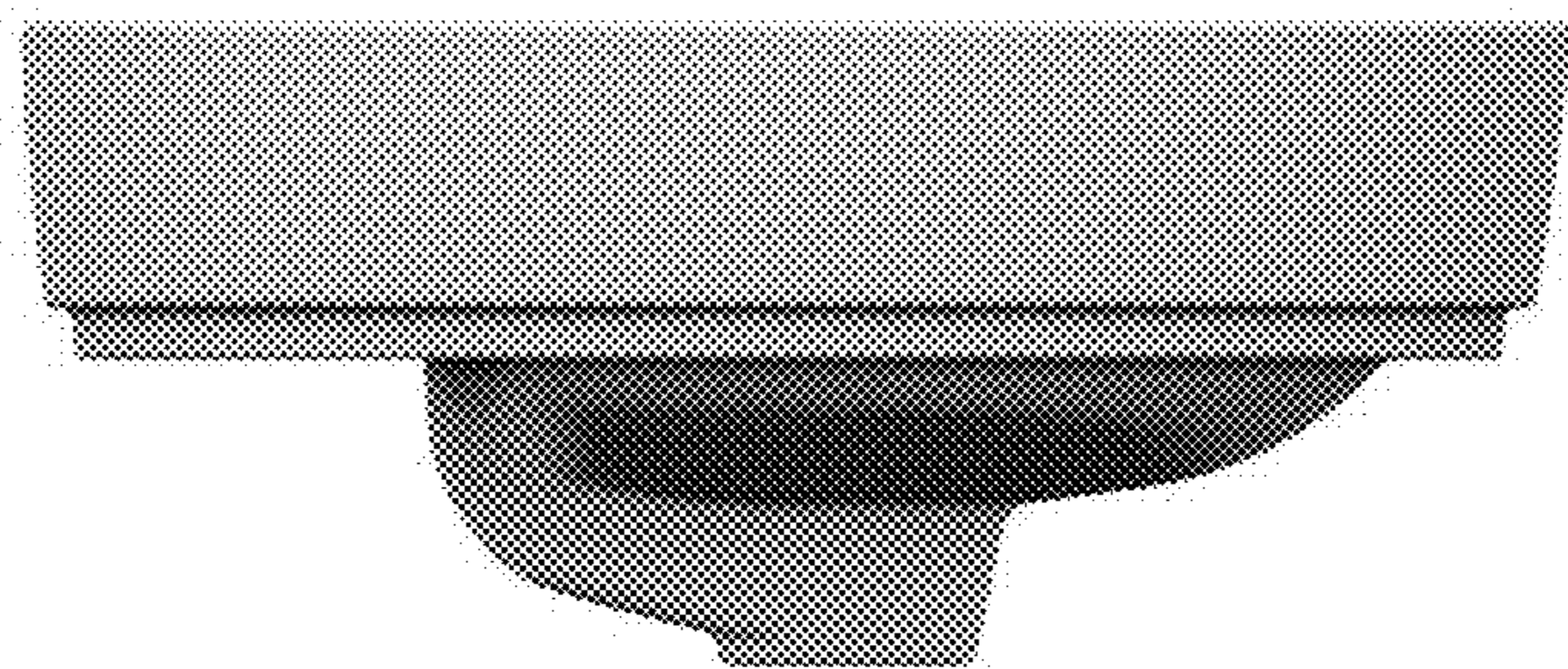




FIG. 8

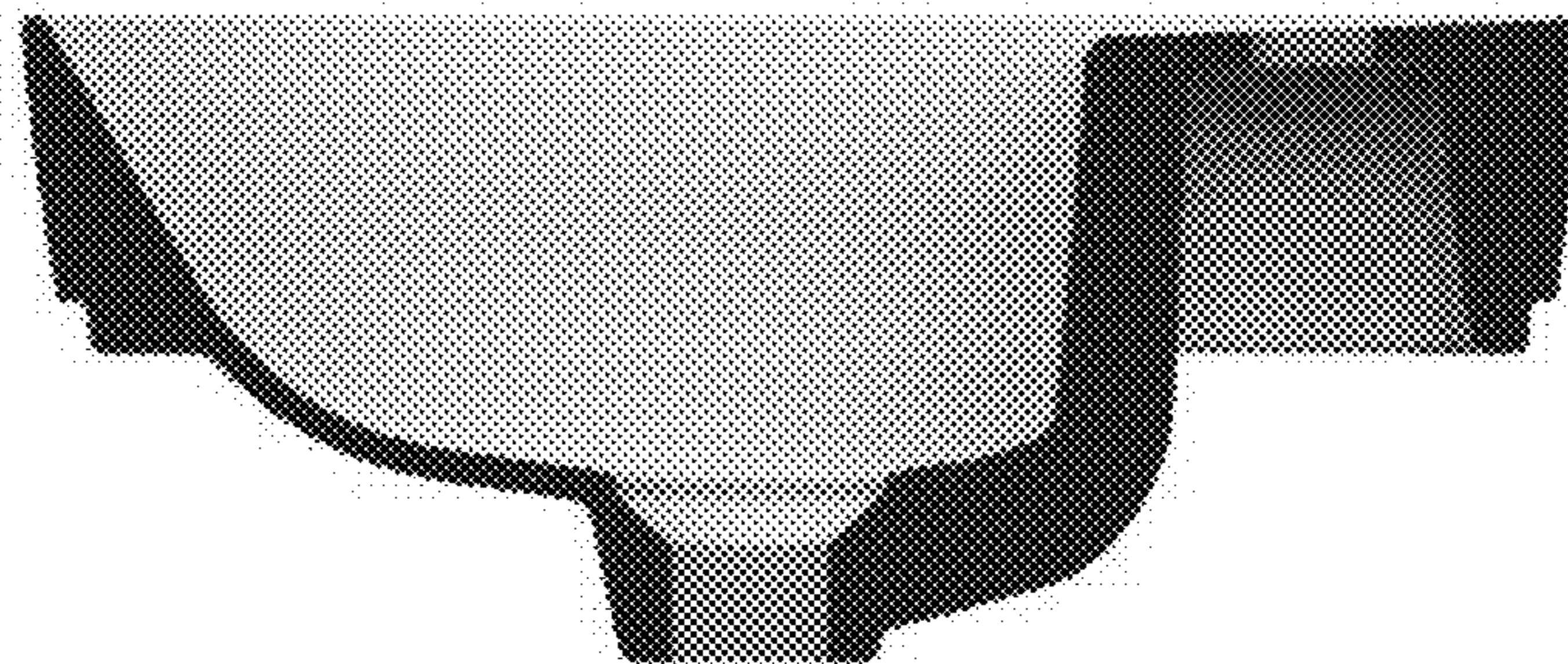


FIG. 9

