



US00D878525S

(12) **United States Design Patent**
Pan

(10) **Patent No.:** **US D878,525 S**

(45) **Date of Patent:** **** Mar. 17, 2020**

(54) **SINK**

(71) Applicant: **Sheng Tai Brassware Co., Ltd.**,
Changhua Hsien (TW)

(72) Inventor: **Chin-Chi Pan**, Changhua Hsien (TW)

(73) Assignee: **SHENG TAI BRASSWARE CO., LTD.**,
Changhua Hsien (TW)

(**) Term: **15 Years**

(21) Appl. No.: **29/674,445**

(22) Filed: **Dec. 21, 2018**

(51) **LOC (12) Cl.** **23-02**

(52) **U.S. Cl.**
USPC **D23/284**

(58) **Field of Classification Search**
USPC D23/284, 293.1, 308, 285, 303
See application file for complete search history.

(56) **References Cited**

U.S. PATENT DOCUMENTS

D319,299 S * 8/1991 Turner D23/284
D507,040 S * 7/2005 Ferrer Beltran D23/284

D598,992 S * 8/2009 Aso D23/284
D690,166 S * 9/2013 Montgomery D7/586
D753,278 S * 4/2016 Danelon D23/293.1
D842,441 S * 3/2019 Quinn D23/293.1

* cited by examiner

Primary Examiner — Robert A Delehanty

(74) *Attorney, Agent, or Firm* — Alan D. Kamrath; Mayer & Williams PC

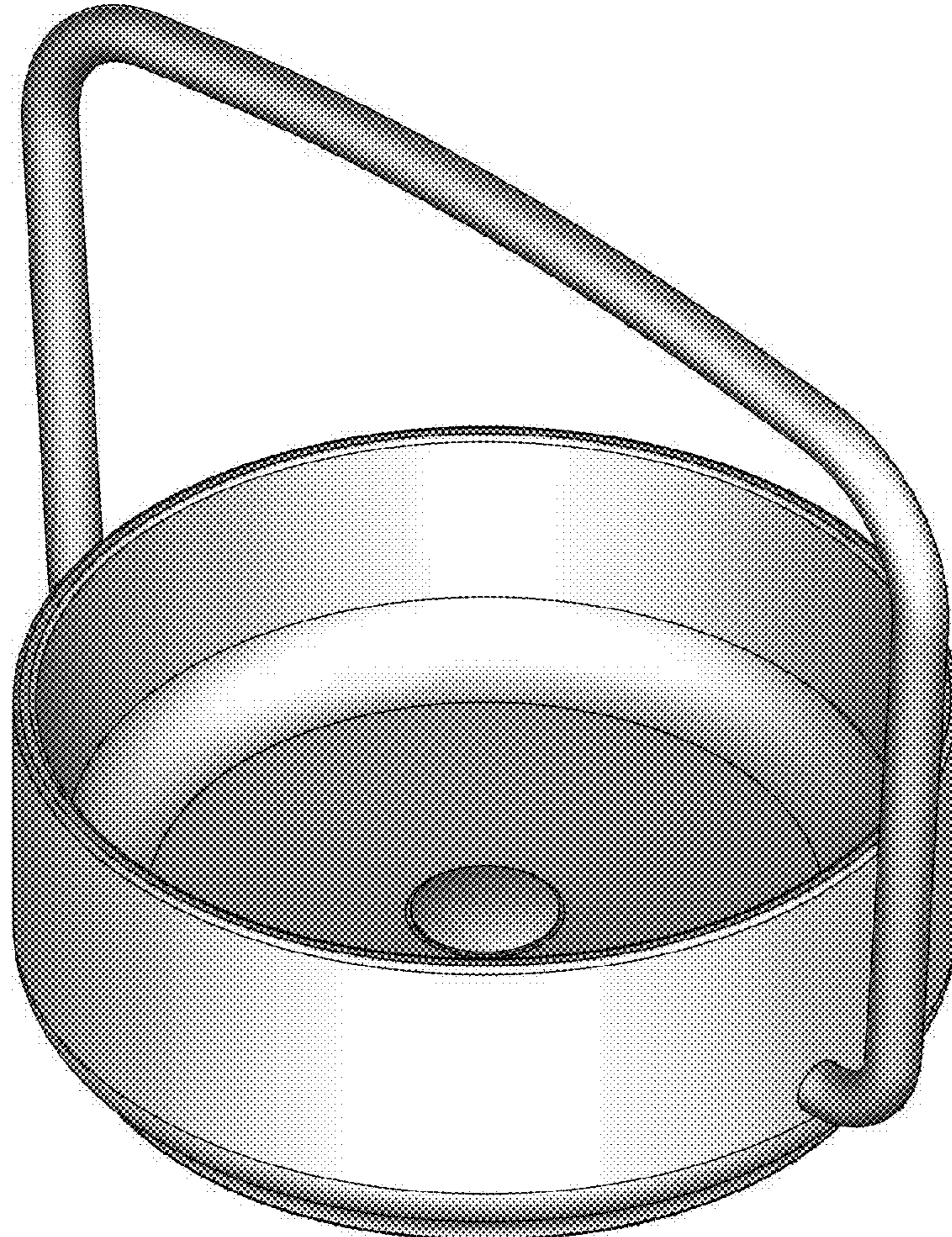
(57) **CLAIM**

The ornamental design for a sink, as shown and described.

DESCRIPTION

FIG. 1 is a perspective view of a sink, showing my new design;
FIG. 2 is a front view thereof;
FIG. 3 is a rear view thereof;
FIG. 4 is a left side view thereof;
FIG. 5 is a right side view thereof; and,
FIG. 6 is a top view thereof.
A bottom of the sink may not be seen in use and does not have design features, so a bottom view thereof is omitted.

1 Claim, 6 Drawing Sheets



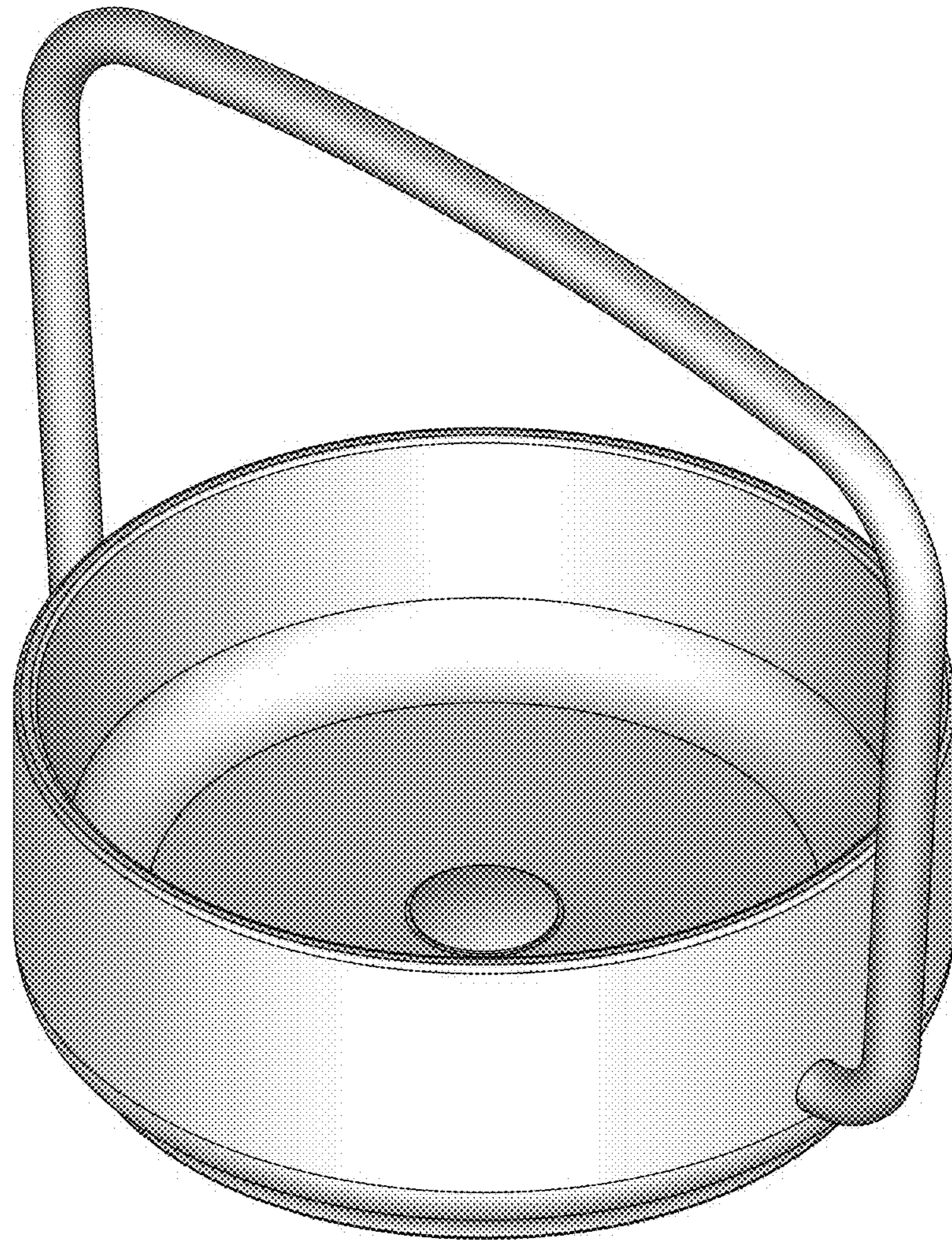


FIG.1

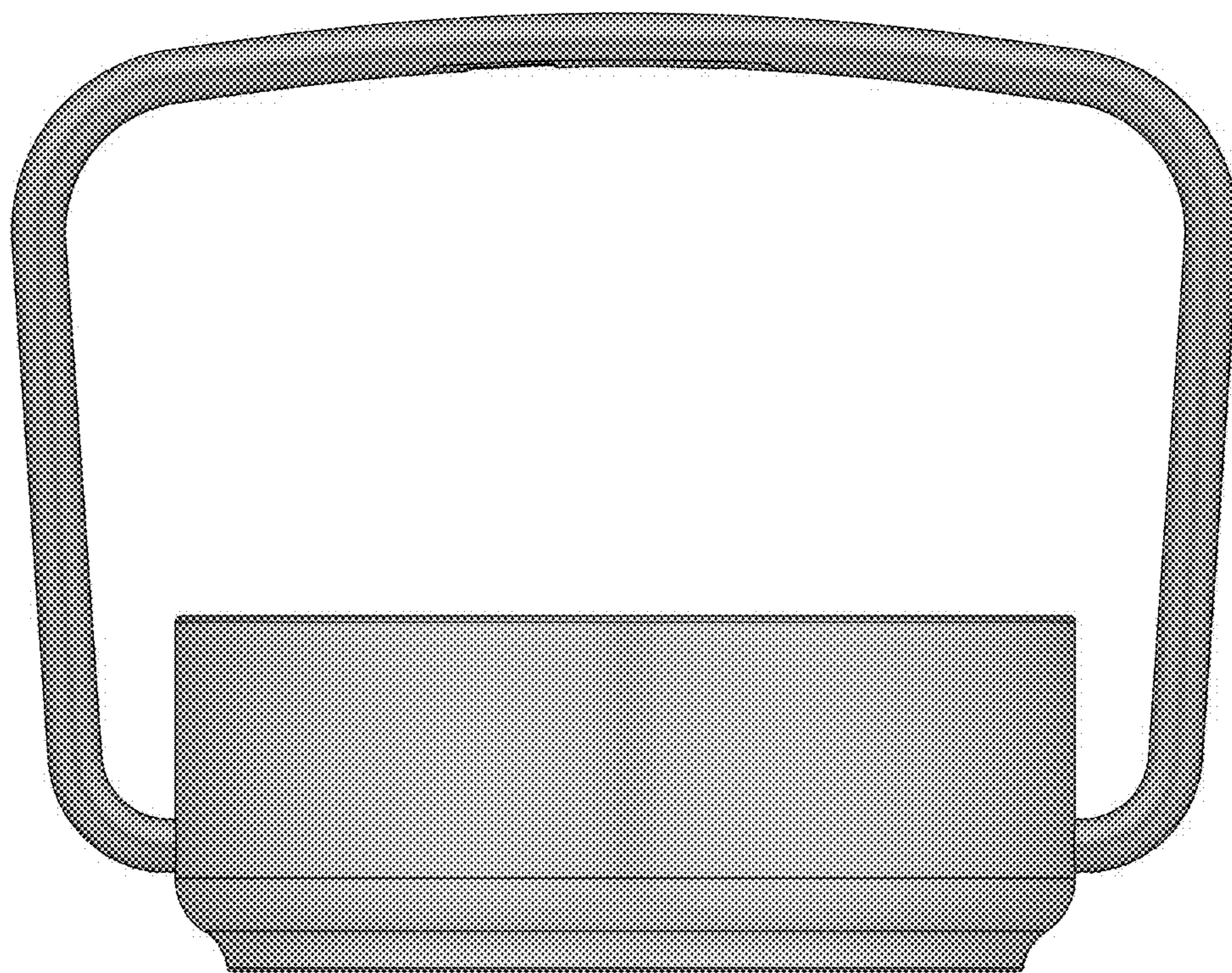


FIG.2

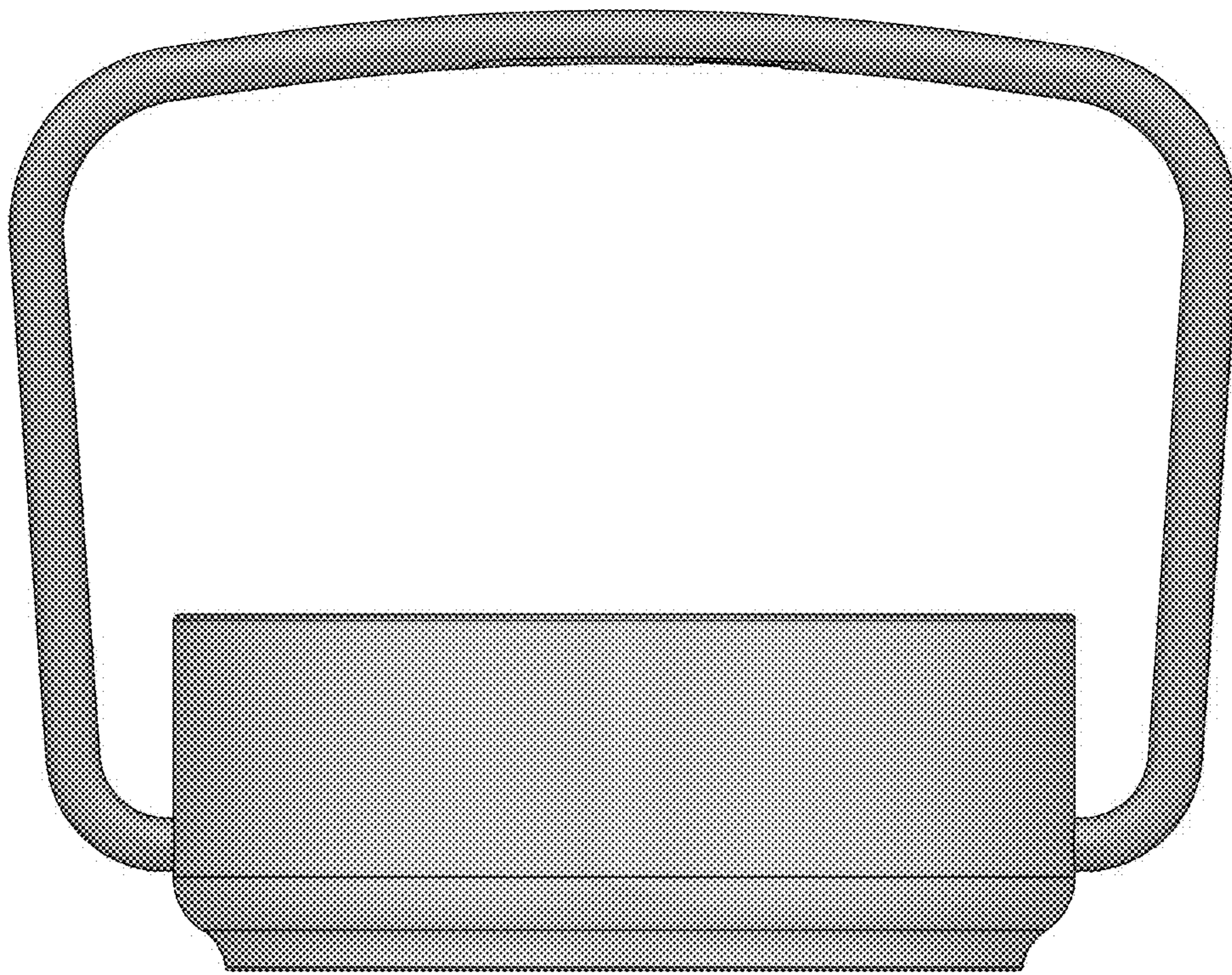


FIG.3

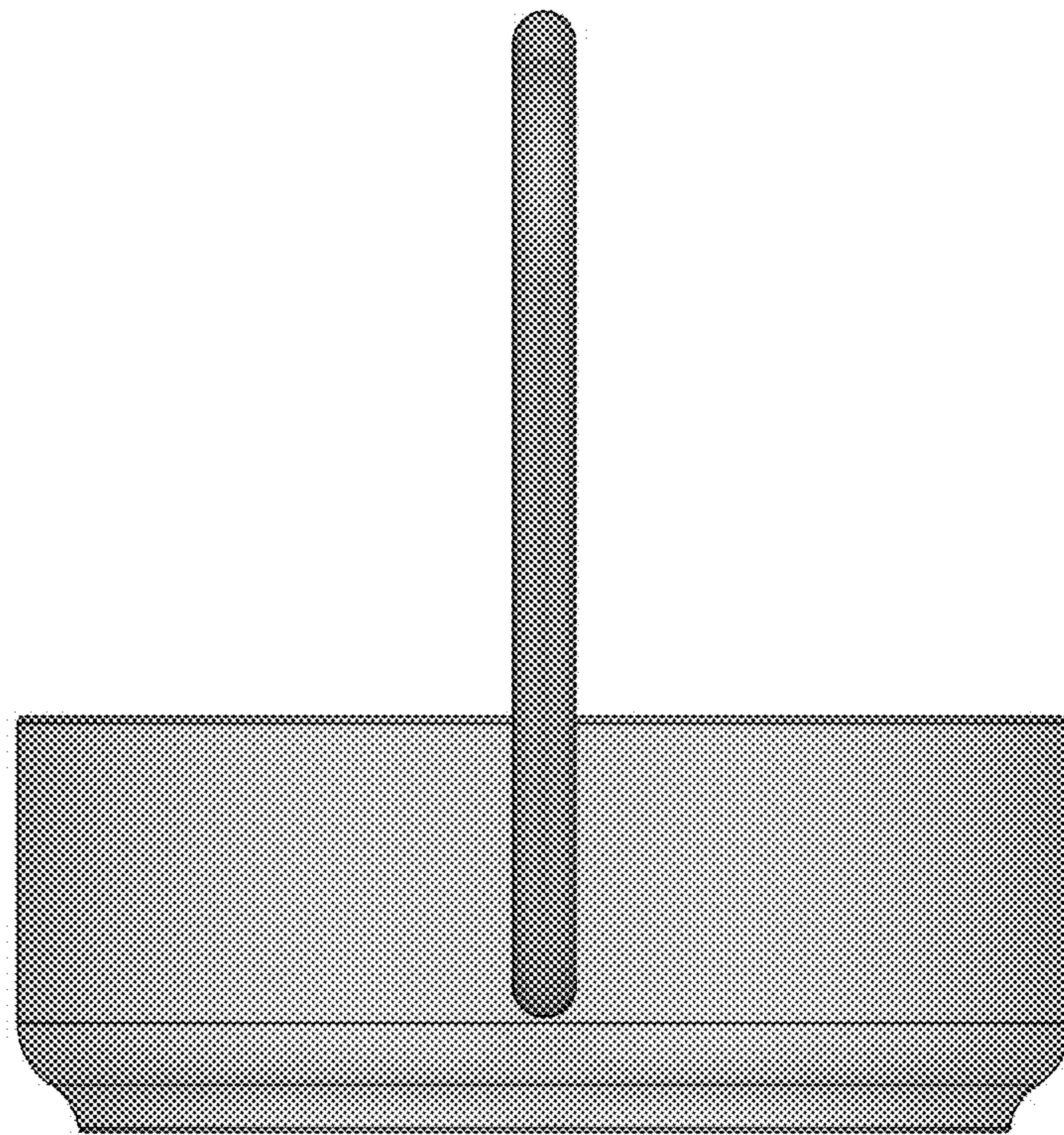


FIG.4

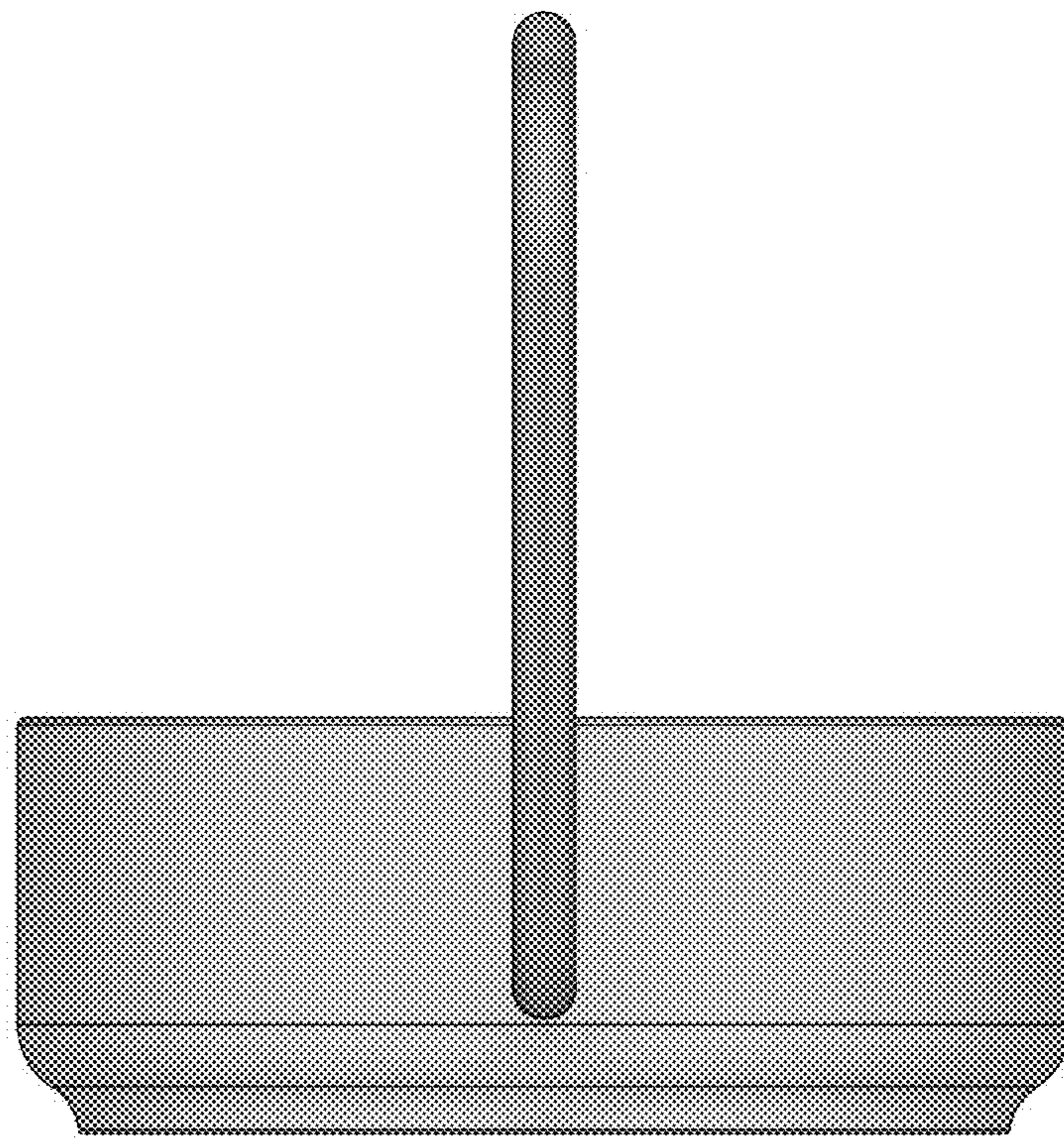


FIG.5

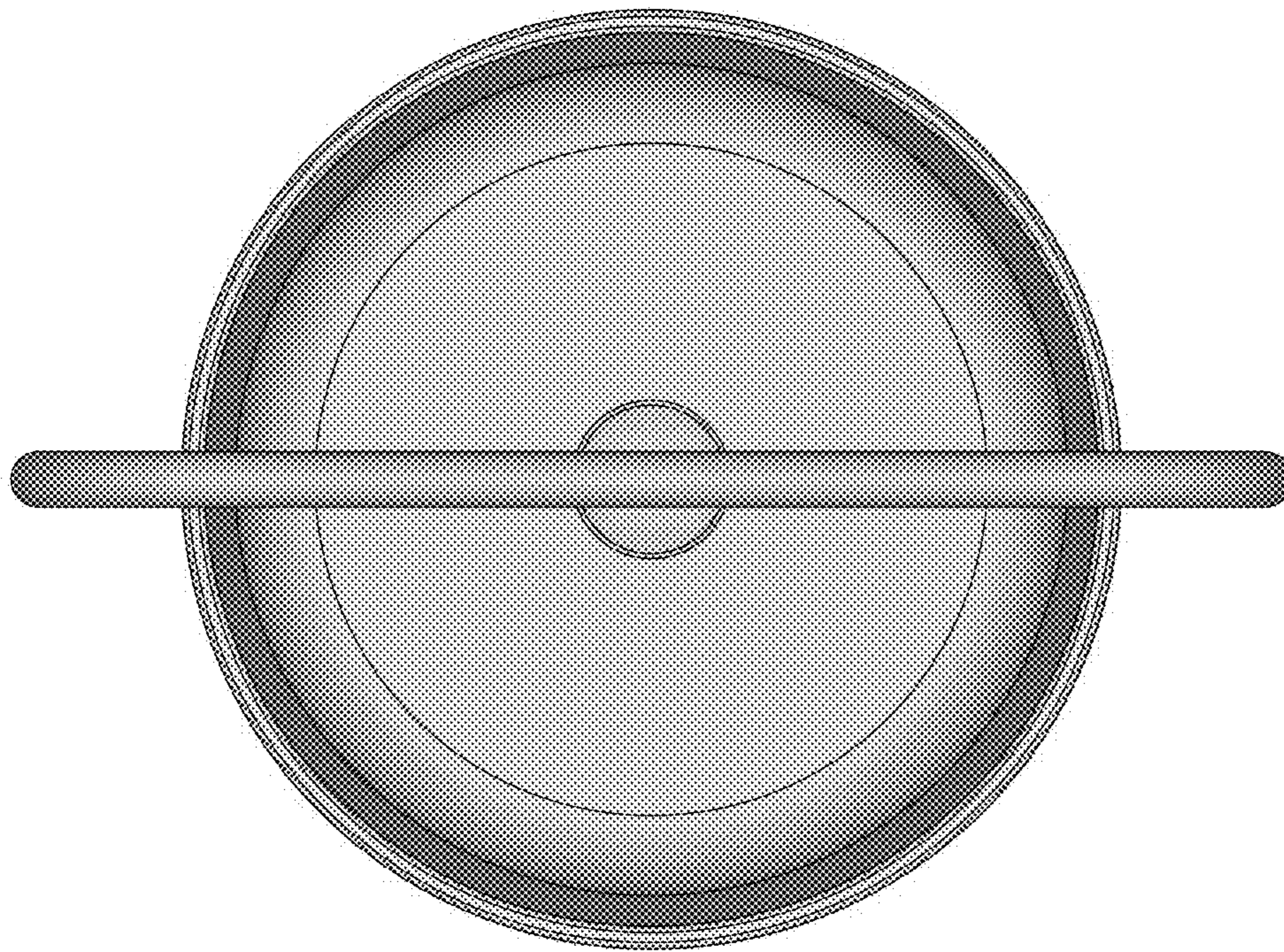


FIG.6