



US00D878524S

(12) **United States Design Patent**
Gessi

(10) **Patent No.:** **US D878,524 S**
(45) **Date of Patent:** **** Mar. 17, 2020**

- (54) **MIXER FAUCET**
- (71) Applicant: **GESSI S.P.A.**, Serravalle Sesia (IT)
- (72) Inventor: **Gian Luca Gessi**, Serravalle Sesia (IT)
- (73) Assignee: **GESSI S.P.A.**, Serravalle Sesia (VC)
(IT)
- (**) Term: **15 Years**
- (21) Appl. No.: **29/681,460**

D761,941 S *	7/2016	Flowers	D23/255
D790,669 S *	6/2017	Potter	D23/255
D796,643 S *	9/2017	Downey	D23/255
D831,165 S *	10/2018	Garuti	D23/255
D834,684 S *	11/2018	Gessi	D23/238

* cited by examiner

Primary Examiner — Keli L Hill

(74) *Attorney, Agent, or Firm* — Underwood & Associates, LLC

(22) Filed: **Feb. 26, 2019**

Related U.S. Application Data

(62) Division of application No. 35/504,205, filed on Jun. 28, 2017 (U.S. filing date under 35 U.S.C. 384), and having an international filing date of Jun. 28, 2017, now Pat. No. Des. 863,509.

(51) **LOC (12) Cl.** **23-01**

(52) **U.S. Cl.**
USPC **D23/255**

(58) **Field of Classification Search**
USPC D23/233, 238, 239, 241–243, 245,
D23/248–254, 255, 257
CPC E03C 1/04; E03C 1/0401; E03C 1/0402;
E03C 1/0404; E03C 1/0409
See application file for complete search history.

(56) **References Cited**

U.S. PATENT DOCUMENTS

D659,807 S *	5/2012	Flowers	D23/255
D691,242 S *	10/2013	Gessi	D23/238

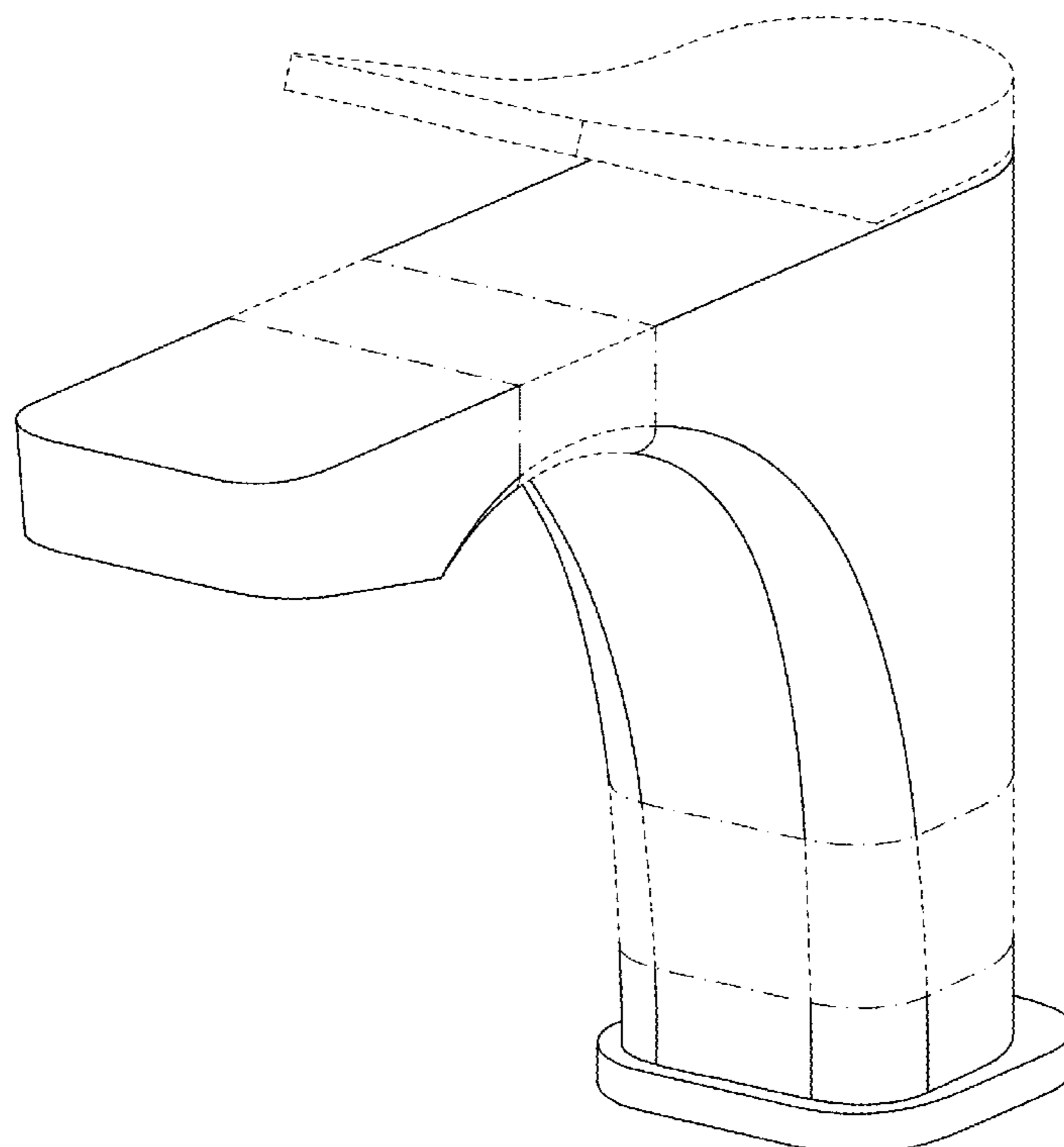
(57) **CLAIM**

The ornamental design for a mixer faucet, as shown and described.

DESCRIPTION

FIG. 1 is a perspective view of a mixer faucet showing my new design;
 FIG. 2 is a top plan view thereof;
 FIG. 3 is a bottom plan view thereof;
 FIG. 4 is a right-side elevation view thereof;
 FIG. 5 is a left-side elevation view thereof;
 FIG. 6 is a rear elevation view thereof; and,
 FIG. 7 is a front elevation view thereof.
 The dash-dot-dash broken lines represent the bounds of the claim, while all other broken lines are included for the purpose of illustrating portions of the faucet; the broken lines form no part of the claimed design.

1 Claim, 7 Drawing Sheets



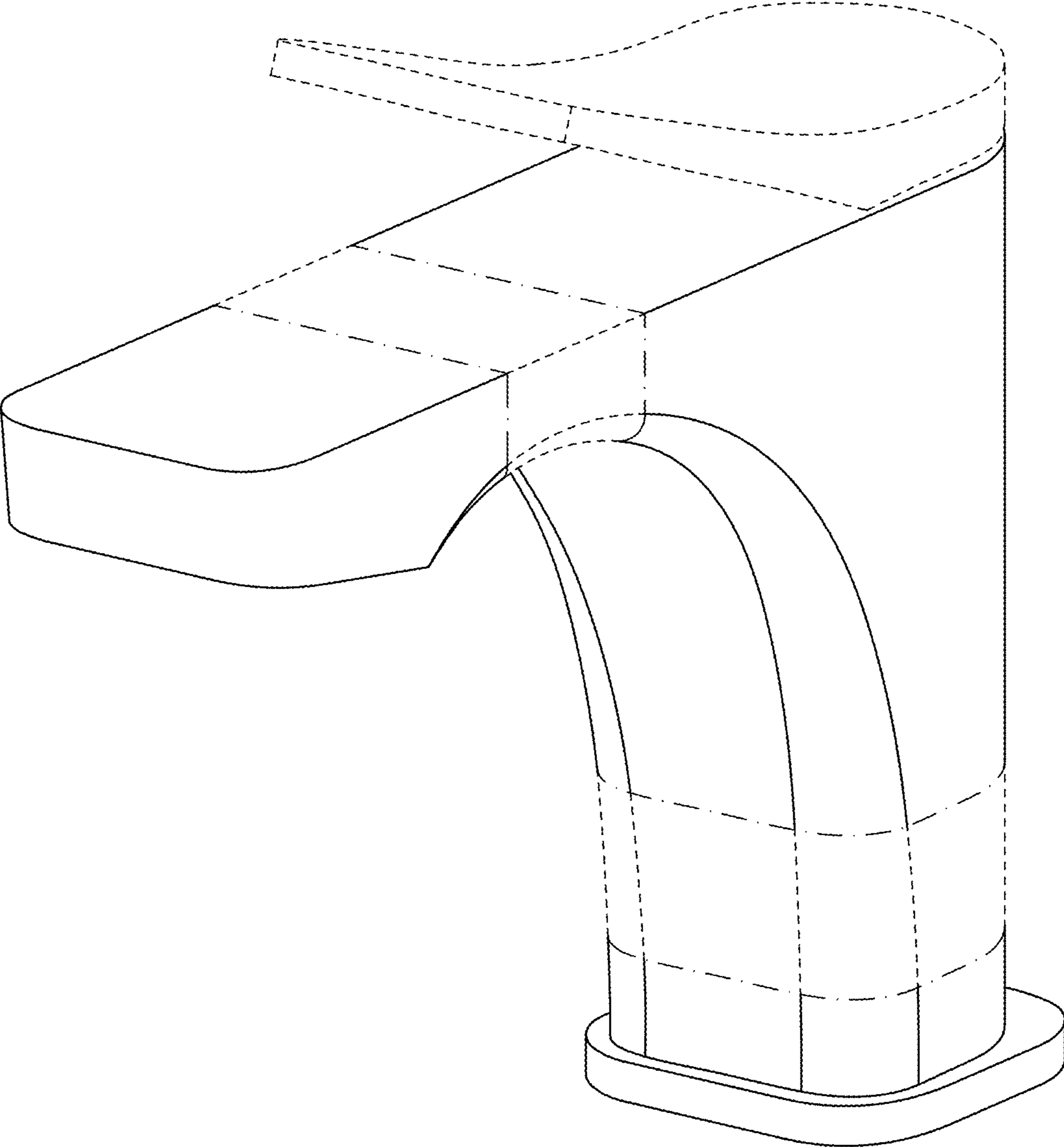


FIG. 1

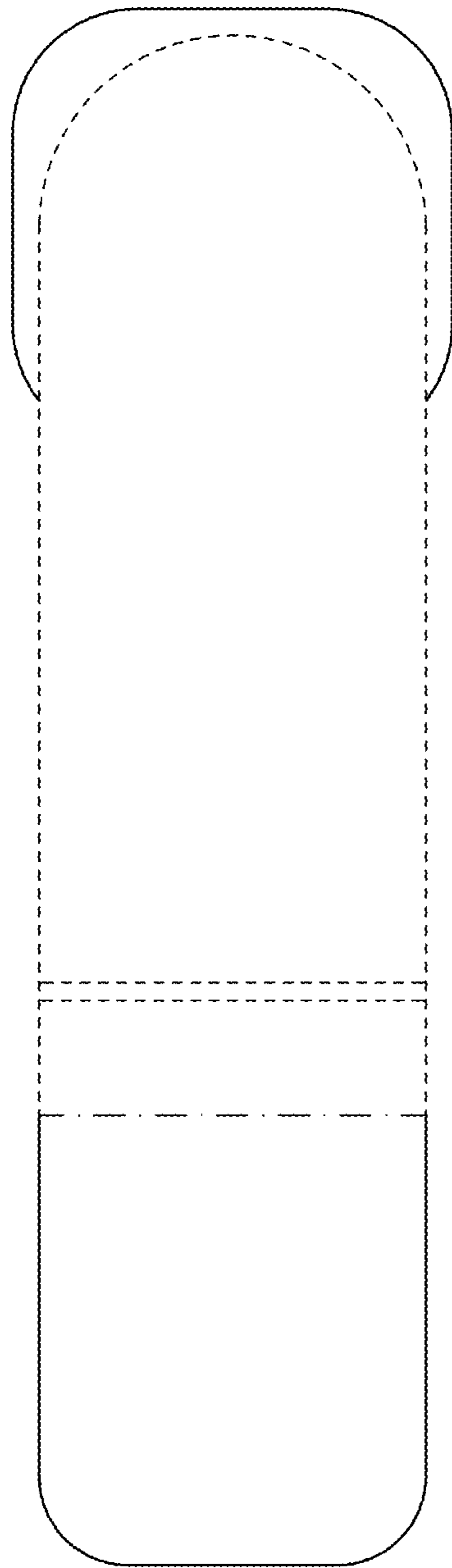


FIG. 2

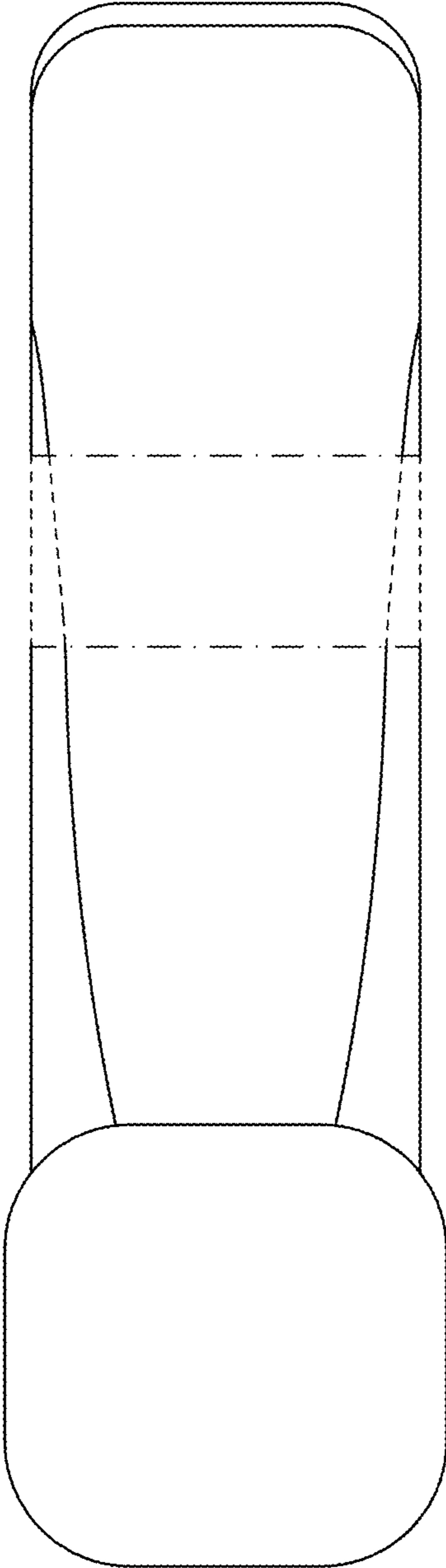


FIG.3

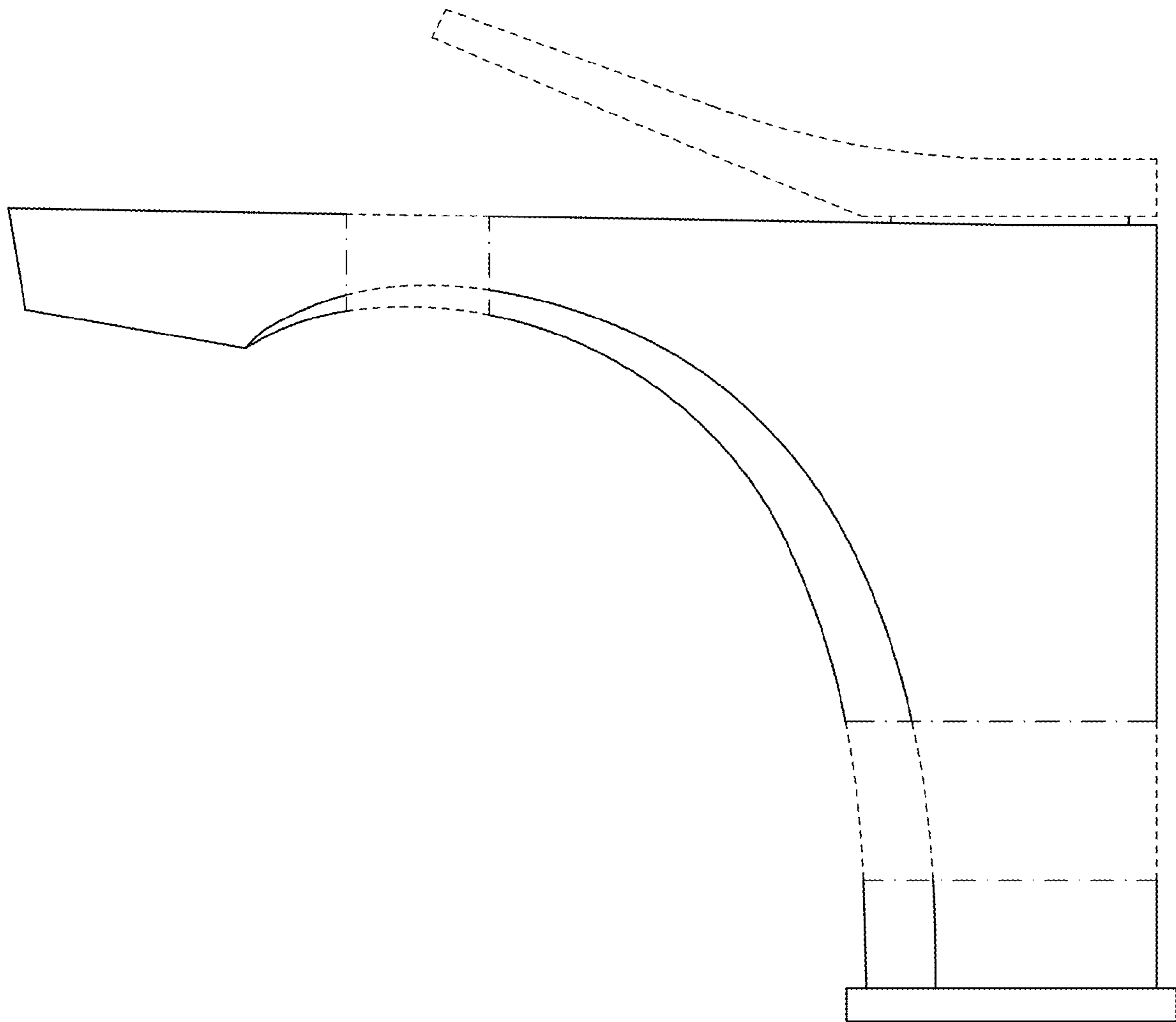


FIG.4

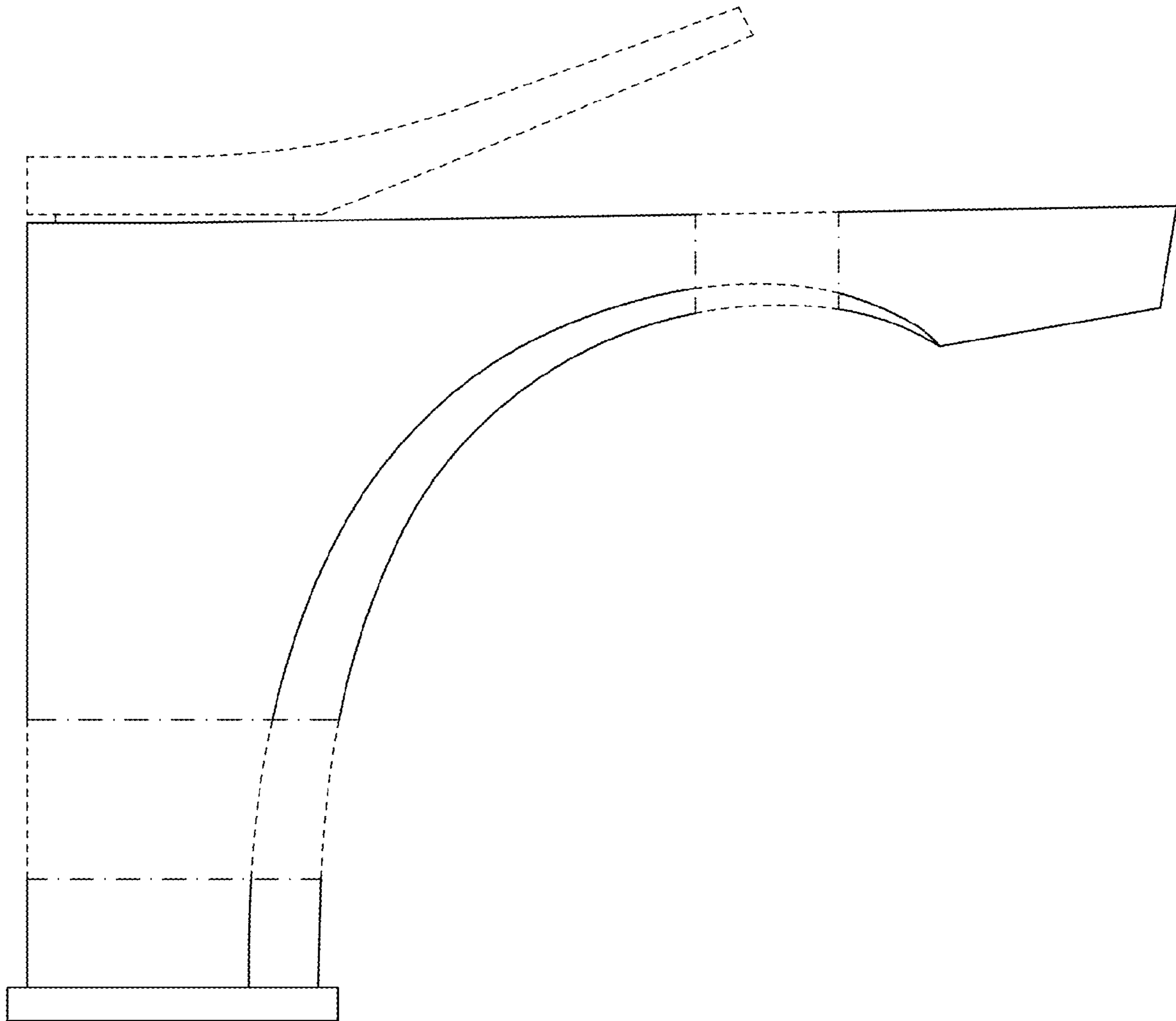


FIG.5

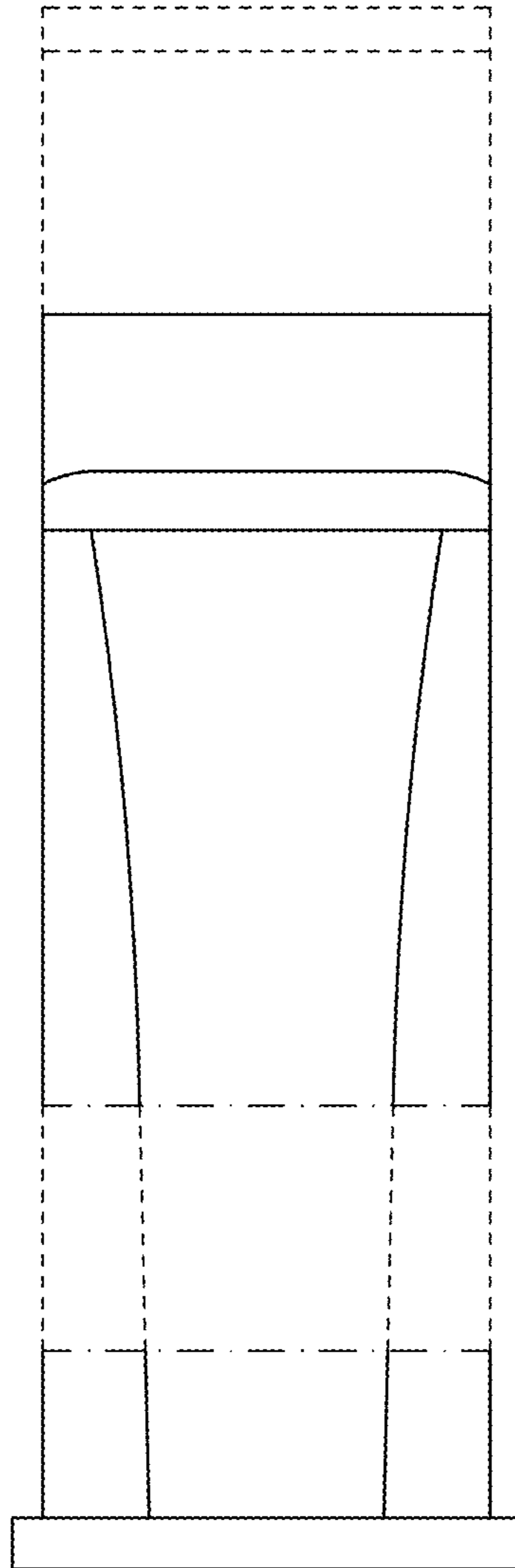


FIG. 6

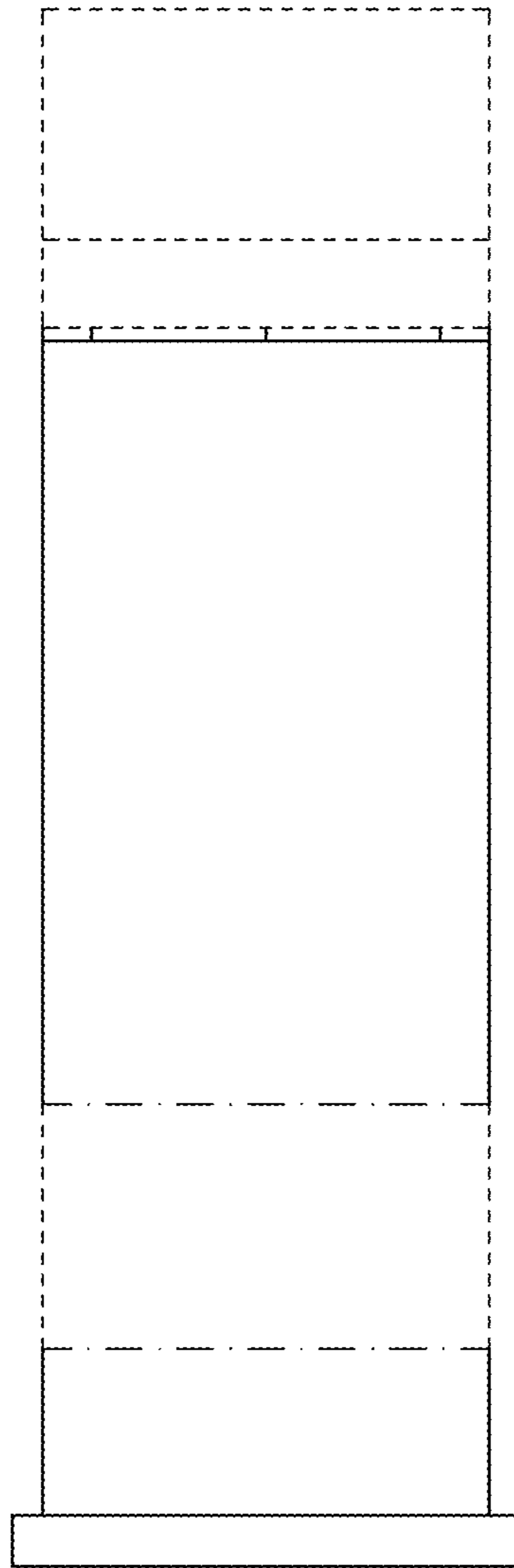


FIG. 7