



US00D878523S

(12) **United States Design Patent**
Lazarini

(10) **Patent No.:** **US D878,523 S**
(45) **Date of Patent:** **** Mar. 17, 2020**

- (54) **FAUCET HANDLE**
- (71) Applicant: **DELTA FAUCET COMPANY**,
Indianapolis, IN (US)
- (72) Inventor: **Alejandra Lazarini**, Carmel, IN (US)
- (73) Assignee: **DELTA FAUCET COMPANY**,
Indianapolis, IN (US)
- (**) Term: **15 Years**
- (21) Appl. No.: **29/642,890**
- (22) Filed: **Apr. 3, 2018**
- (51) **LOC (12) Cl.** **23-01**
- (52) **U.S. Cl.**
USPC **D23/252**
- (58) **Field of Classification Search**
USPC D23/239-243, 249-250, 252-254, 309,
D23/313; D8/300, 307-308
CPC Y10T 137/9464
See application file for complete search history.

- D793,537 S * 8/2017 Fritz D23/252
- D796,641 S * 9/2017 Liao D23/252
- D811,545 S * 2/2018 Garland D23/252

OTHER PUBLICATIONS

Parlos 2 Handles Bathroom Faucet; Amazon Date Aug. 2, 2017;
https://www.amazon.com/dp/B07DRDNB6Q/ref=sspa_dk_detail_2?psc=1&spLa=ZW5jcnlwdGVkUXVhbGlmaWVyPUEwMzU2MUhVhWkZVUzhWRjJPMSZ3aWRnZXROYW1IPXNwX2RIdGFpbDlm (Year: 2017).*

* cited by examiner

Primary Examiner — Amy C Wierenga

(74) *Attorney, Agent, or Firm* — Edgar A. Zarins; Nirav D. Parikh

(57) **CLAIM**

The ornamental design for a faucet handle, as shown and described.

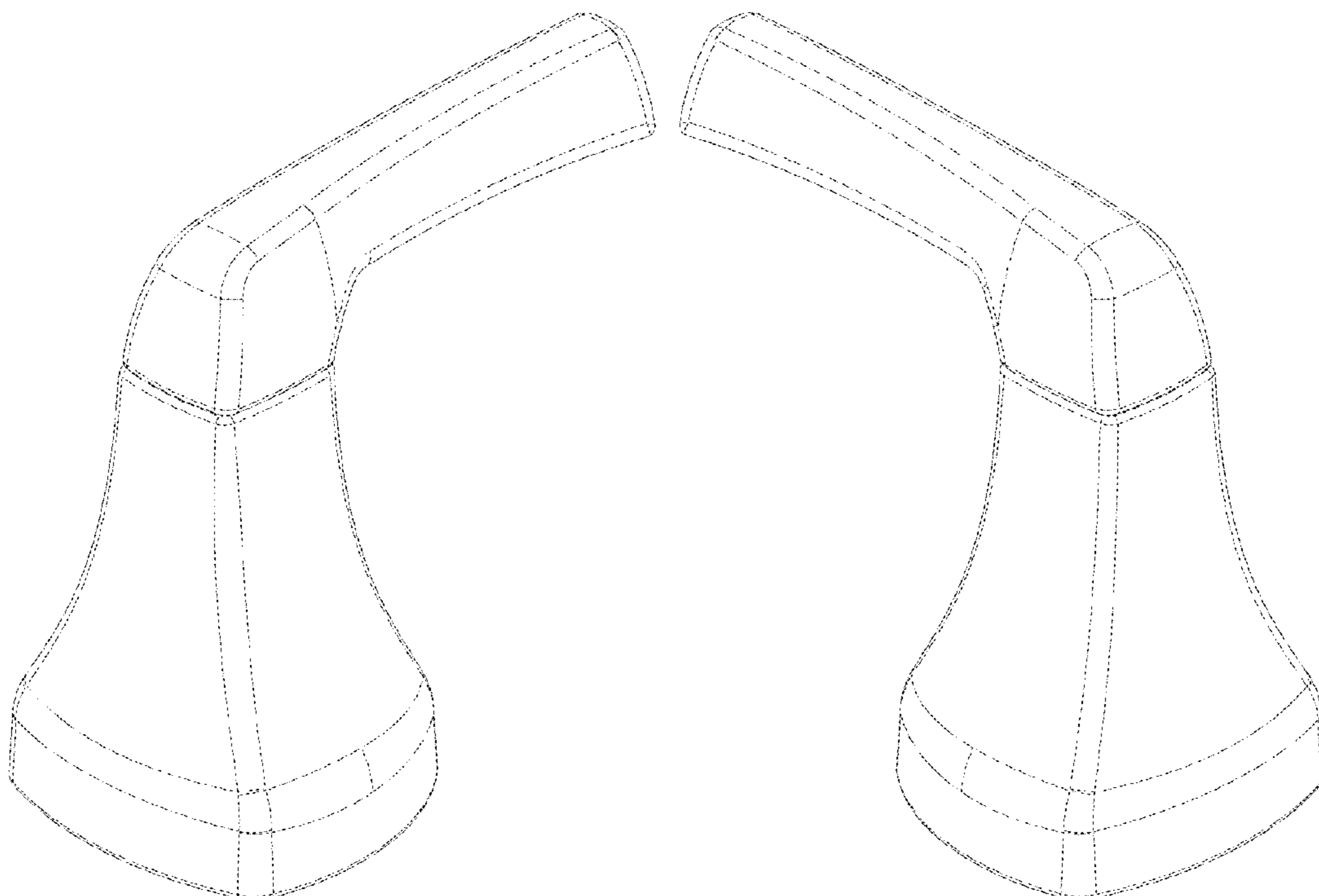
DESCRIPTION

FIG. 1 is a first perspective view of a faucet handle showing my new design;
FIG. 2 is a second perspective view thereof;
FIG. 3 is a first side view thereof;
FIG. 4 is a first end view thereof;
FIG. 5 is a second side view thereof;
FIG. 6 is a second end view thereof; and,
FIG. 7 is a top plan view thereof.

1 Claim, 4 Drawing Sheets

(56) **References Cited**
U.S. PATENT DOCUMENTS

- D578,616 S * 10/2008 Fritz D23/252
- D587,786 S * 3/2009 Williams D23/252
- D631,137 S * 1/2011 Ke D23/252
- D634,815 S * 3/2011 Barry D23/252
- D648,829 S * 11/2011 Gao D23/252
- D723,663 S * 3/2015 Downey D23/238
- D729,350 S * 5/2015 Bahler D23/252
- D732,144 S * 6/2015 Bahler D23/257
- D773,616 S * 12/2016 Potter D23/252
- D787,022 S * 5/2017 Lopez D23/254



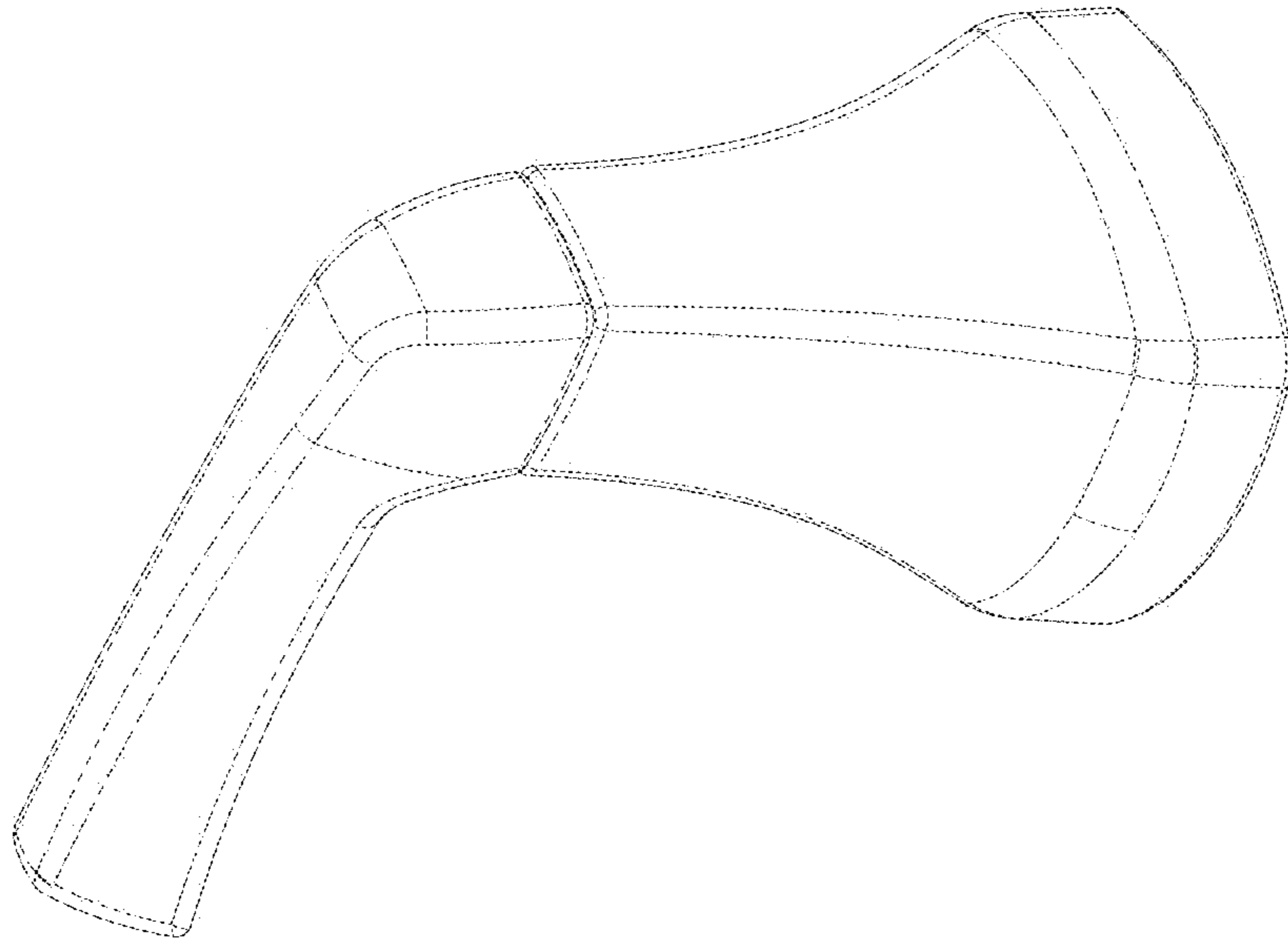


FIG. - 2

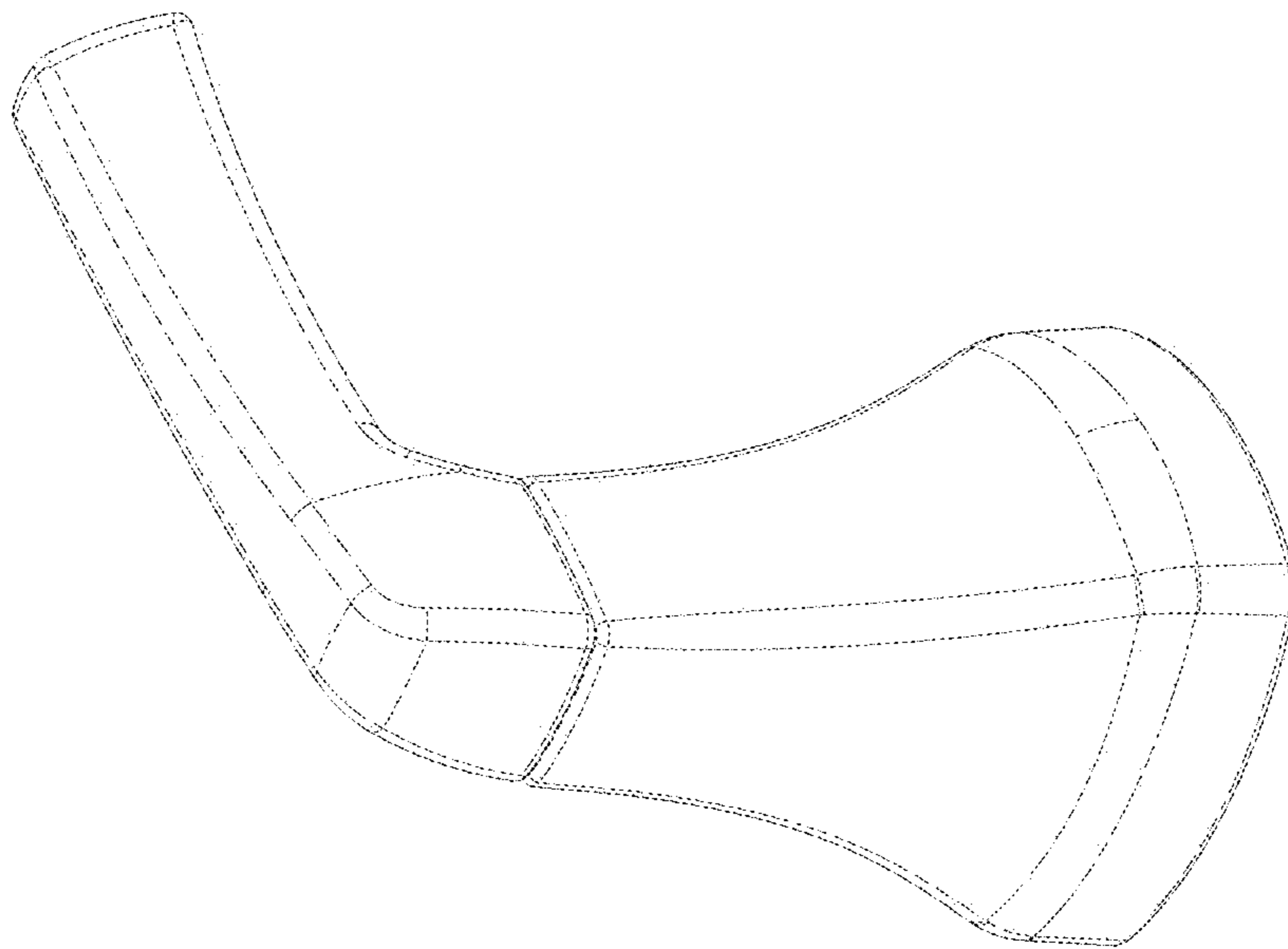


FIG. - 1

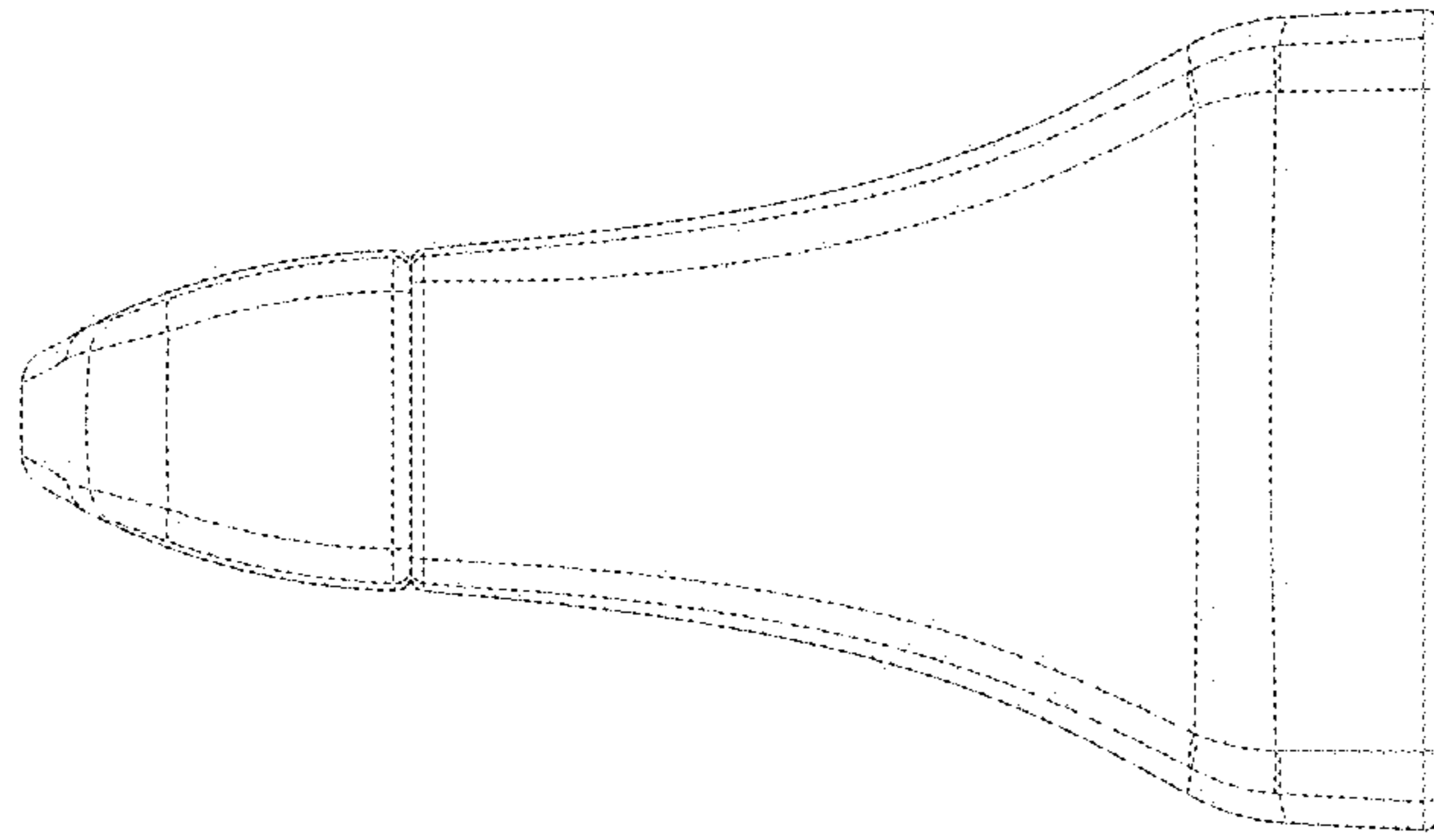


FIG - 4

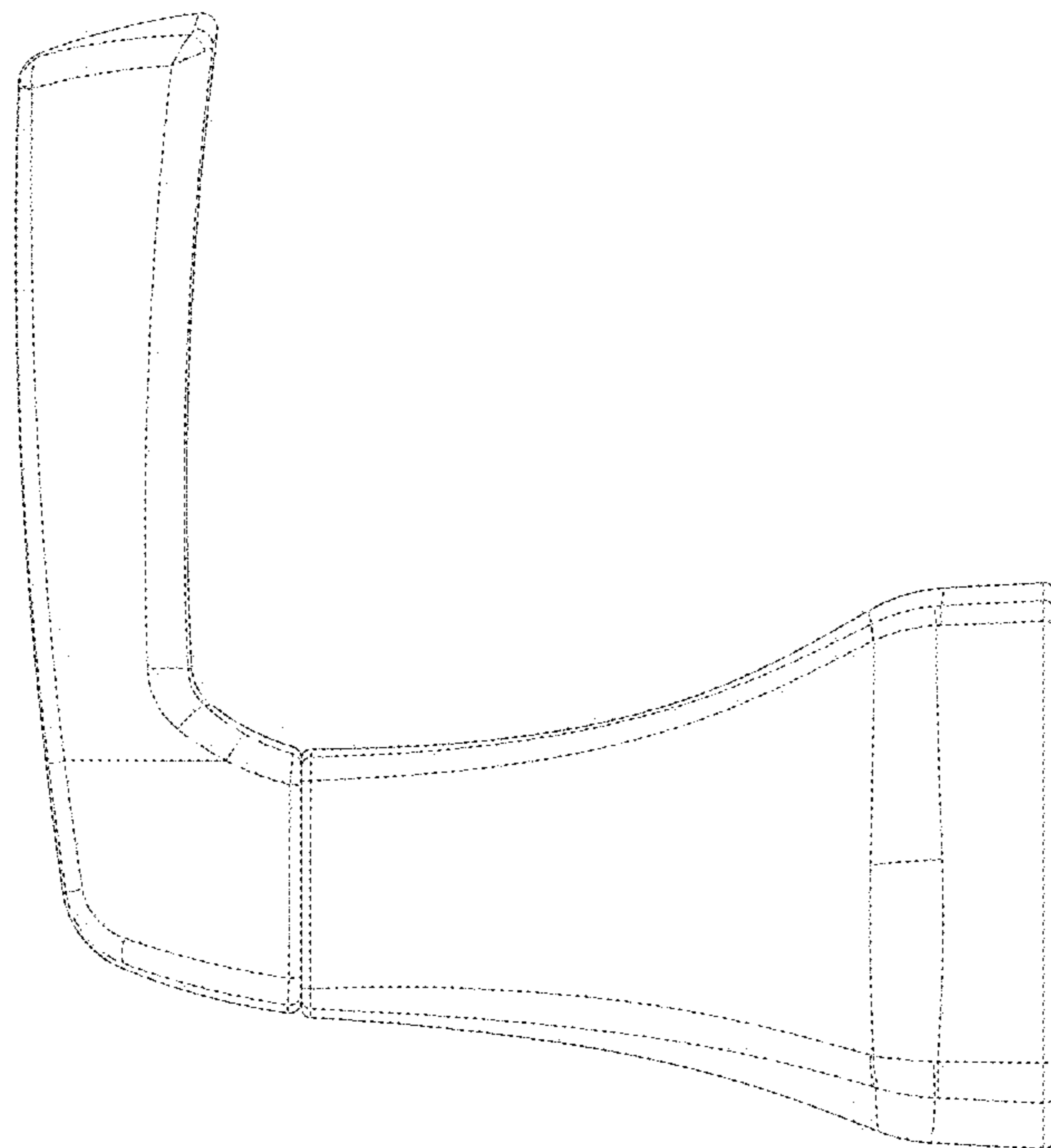


FIG - 3

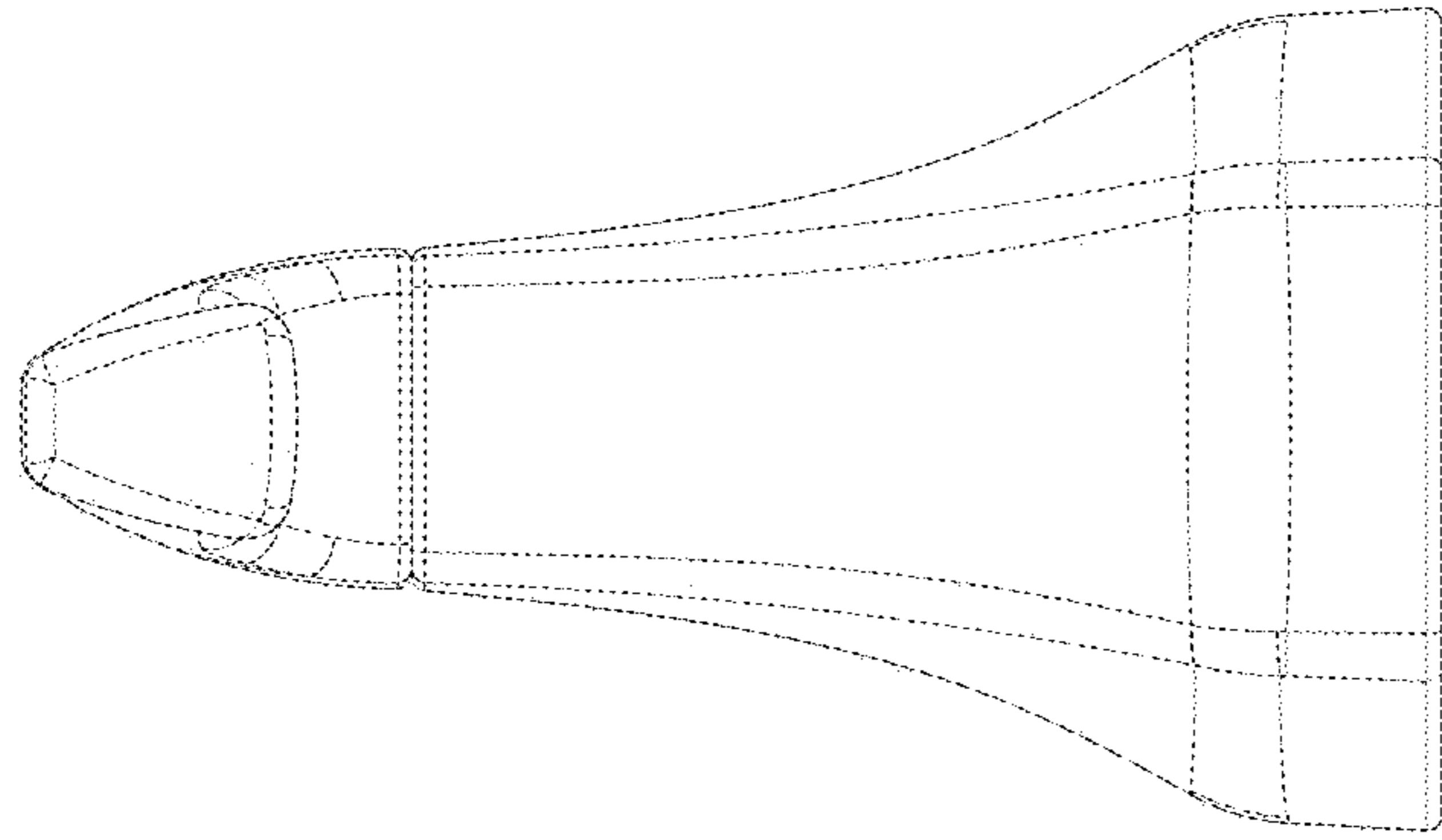


FIG - 6

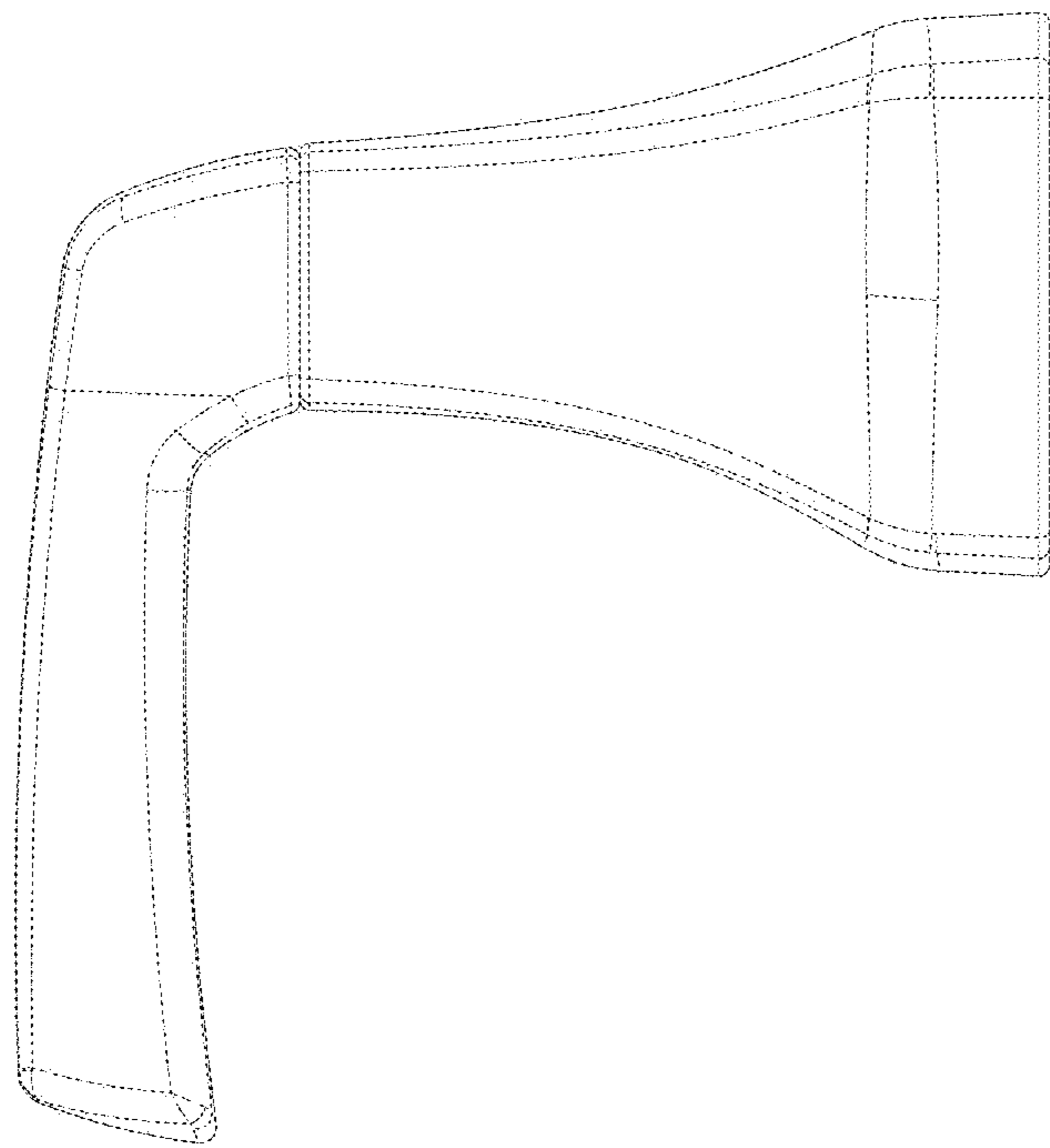


FIG - 5

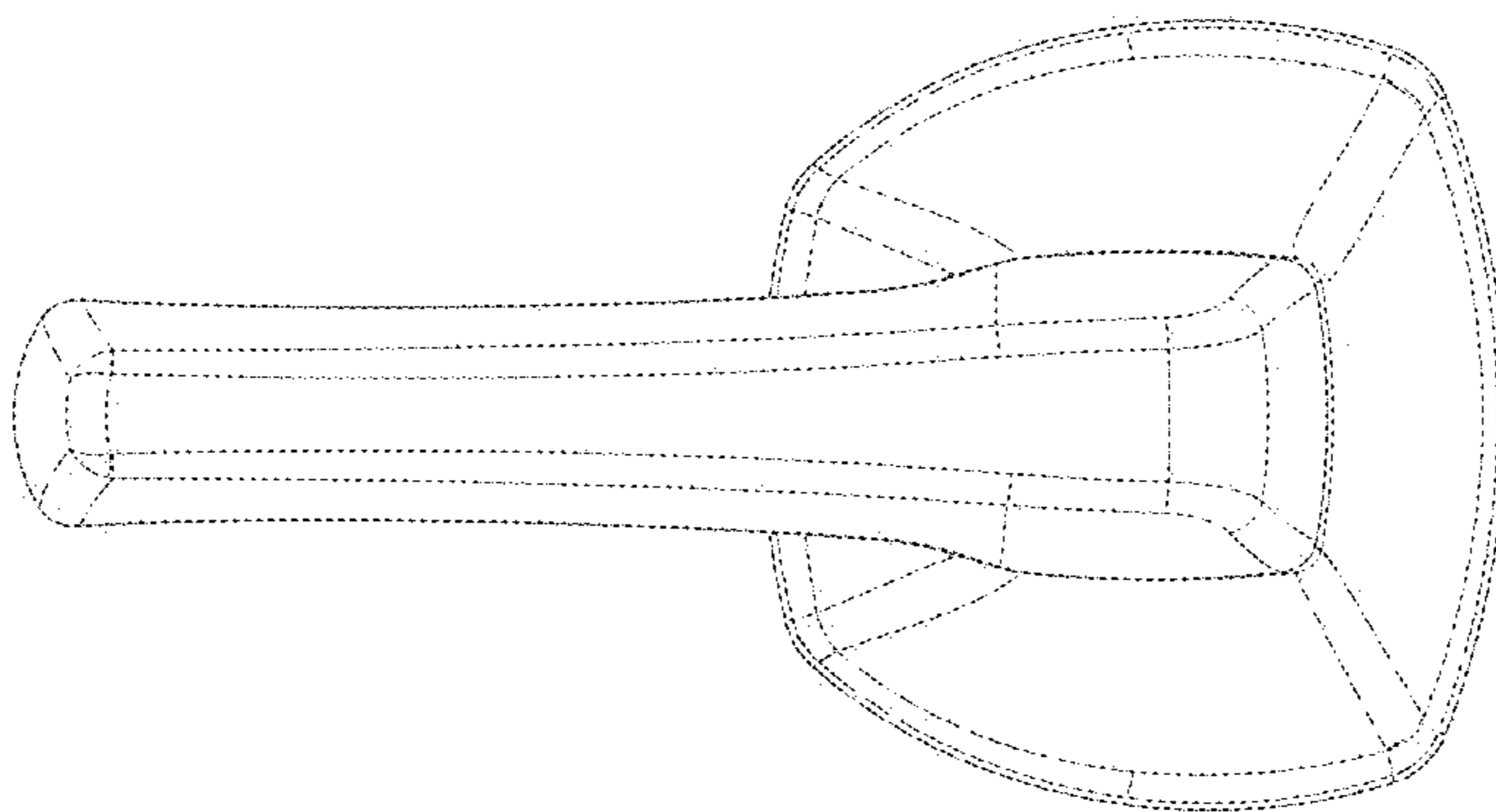


FIG. 7