



US00D878522S

(12) **United States Design Patent**
Eads

(10) **Patent No.:** **US D878,522 S**
(45) **Date of Patent:** **** Mar. 17, 2020**

- (54) **FAUCET HANDLE**
- (71) Applicant: **DELTA FAUCET COMPANY,**
Indianapolis, IN (US)
- (72) Inventor: **Thad Eads,** Urbana, IN (US)
- (73) Assignee: **DELTA FAUCET COMPANY,**
Indianapolis, IN (US)
- (**) Term: **15 Years**
- (21) Appl. No.: **29/642,283**
- (22) Filed: **Mar. 28, 2018**
- (51) **LOC (12) Cl.** **23-01**
- (52) **U.S. Cl.**
USPC **D23/252**
- (58) **Field of Classification Search**
USPC D23/238-243, 249, 250, 252, 254, 255,
D23/257, 245, 309; D8/300, 307, 308;
D7/394, 622, 395, 545, 398
CPC Y10T 137/9464
See application file for complete search history.

- D479,582 S * 9/2003 Citterio D23/239
- D536,065 S * 1/2007 Wang D23/238
- D573,693 S * 7/2008 Hsieh D23/242
- D582,524 S * 12/2008 McKeone D23/255
- D800,268 S * 10/2017 Garland D23/252
- D800,271 S * 10/2017 Andrew D23/252

* cited by examiner

Primary Examiner — Sheryl Lane

Assistant Examiner — Samantha N Wood

(74) *Attorney, Agent, or Firm* — Edgar A. Zarins; Nariv
D. Parikh

(57) **CLAIM**

The ornamental design for a faucet handle, as shown and described.

DESCRIPTION

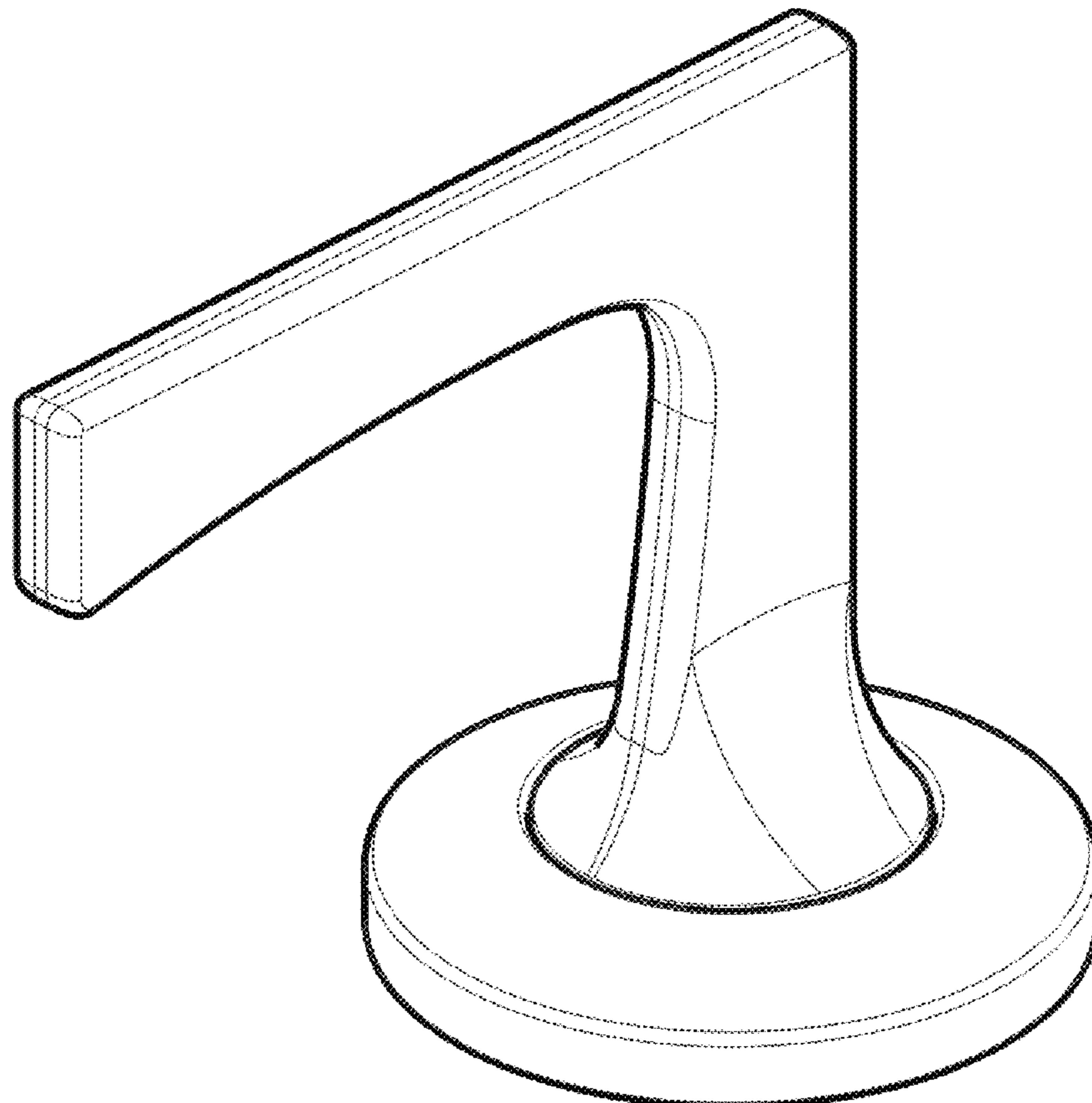
FIG. 1 is a first perspective view of a faucet handle showing my new design;
FIG. 2 is a second perspective view thereof;
FIG. 3 is a front view thereof;
FIG. 4 is a left side view thereof;
FIG. 5 is a rear view thereof;
FIG. 6 is a right side view thereof; and,
FIG. 7 is a top plan view thereof.

1 Claim, 4 Drawing Sheets

(56) **References Cited**

U.S. PATENT DOCUMENTS

- D267,110 S * 11/1982 Arnolds D23/242
- D458,346 S * 6/2002 Mullenmeister D23/250



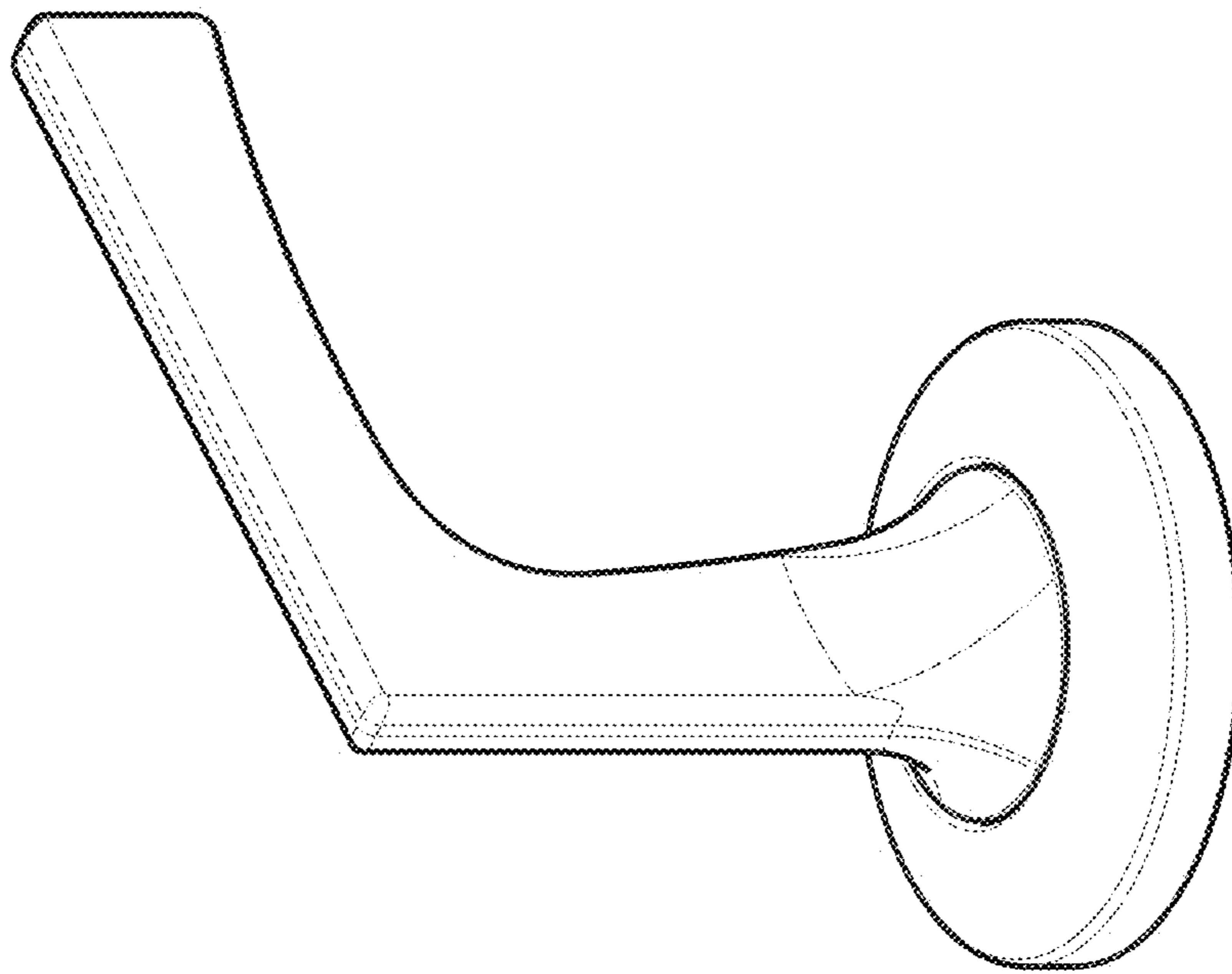


Fig. 2

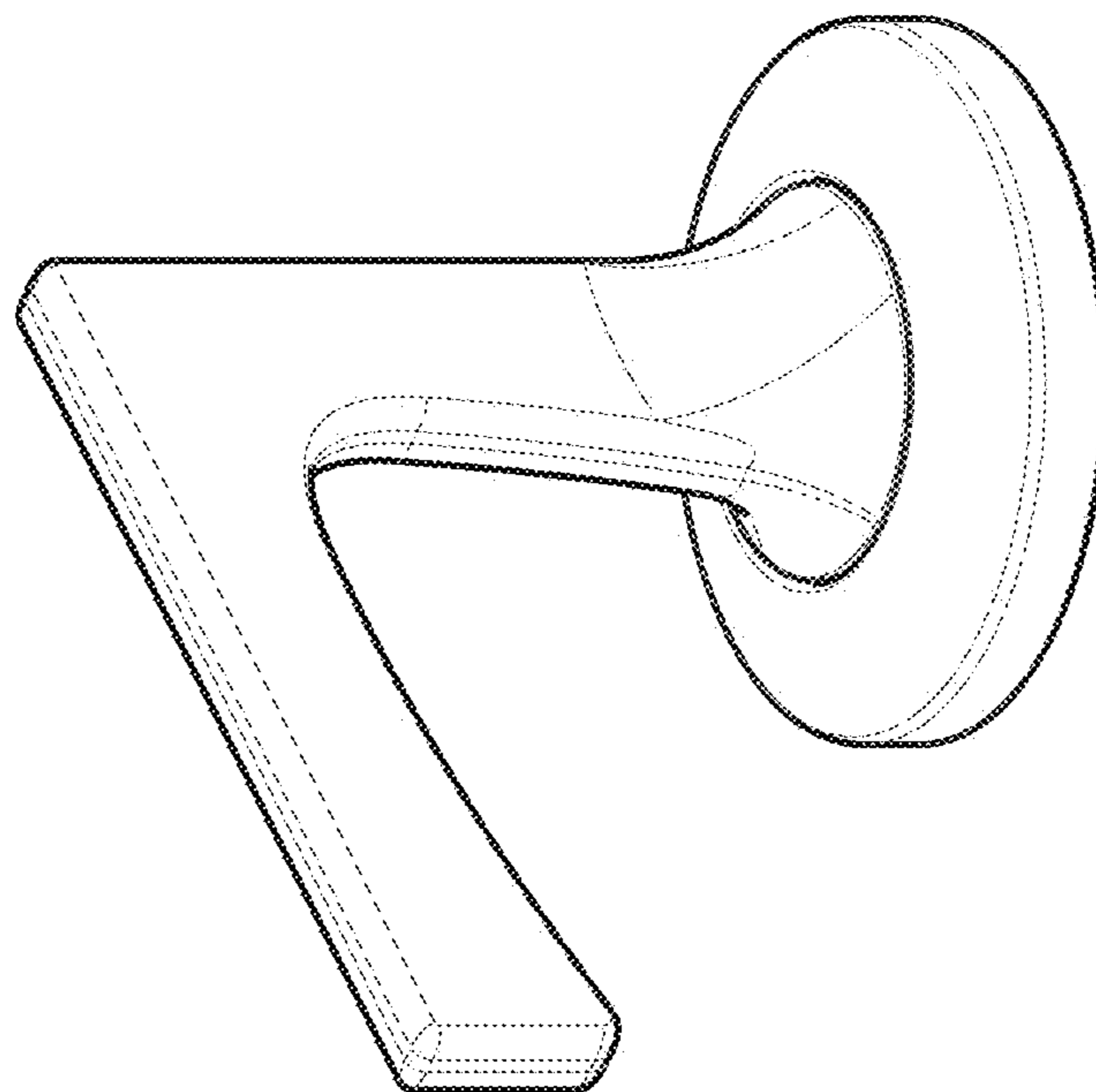


Fig. 1

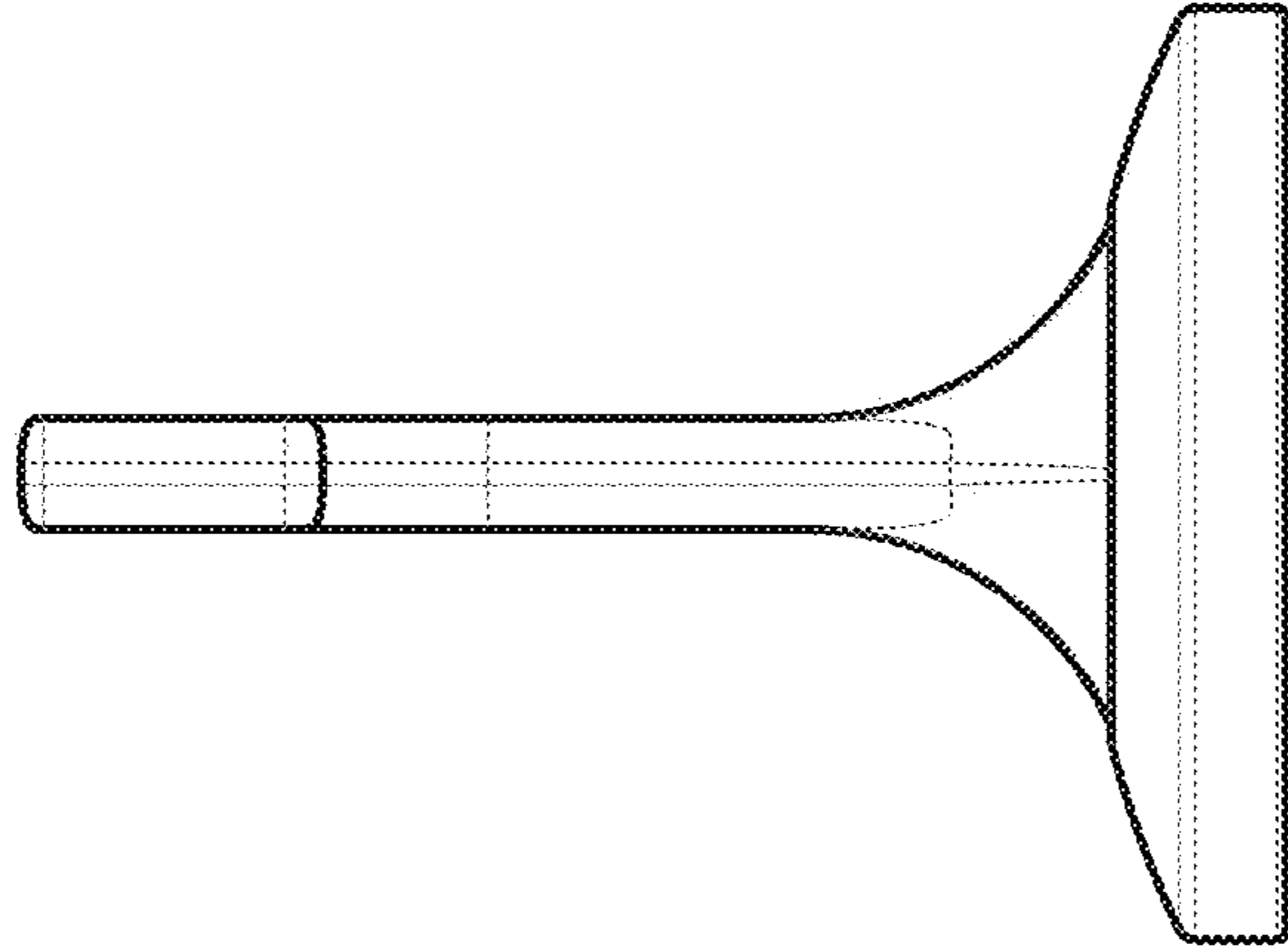


Fig. 4

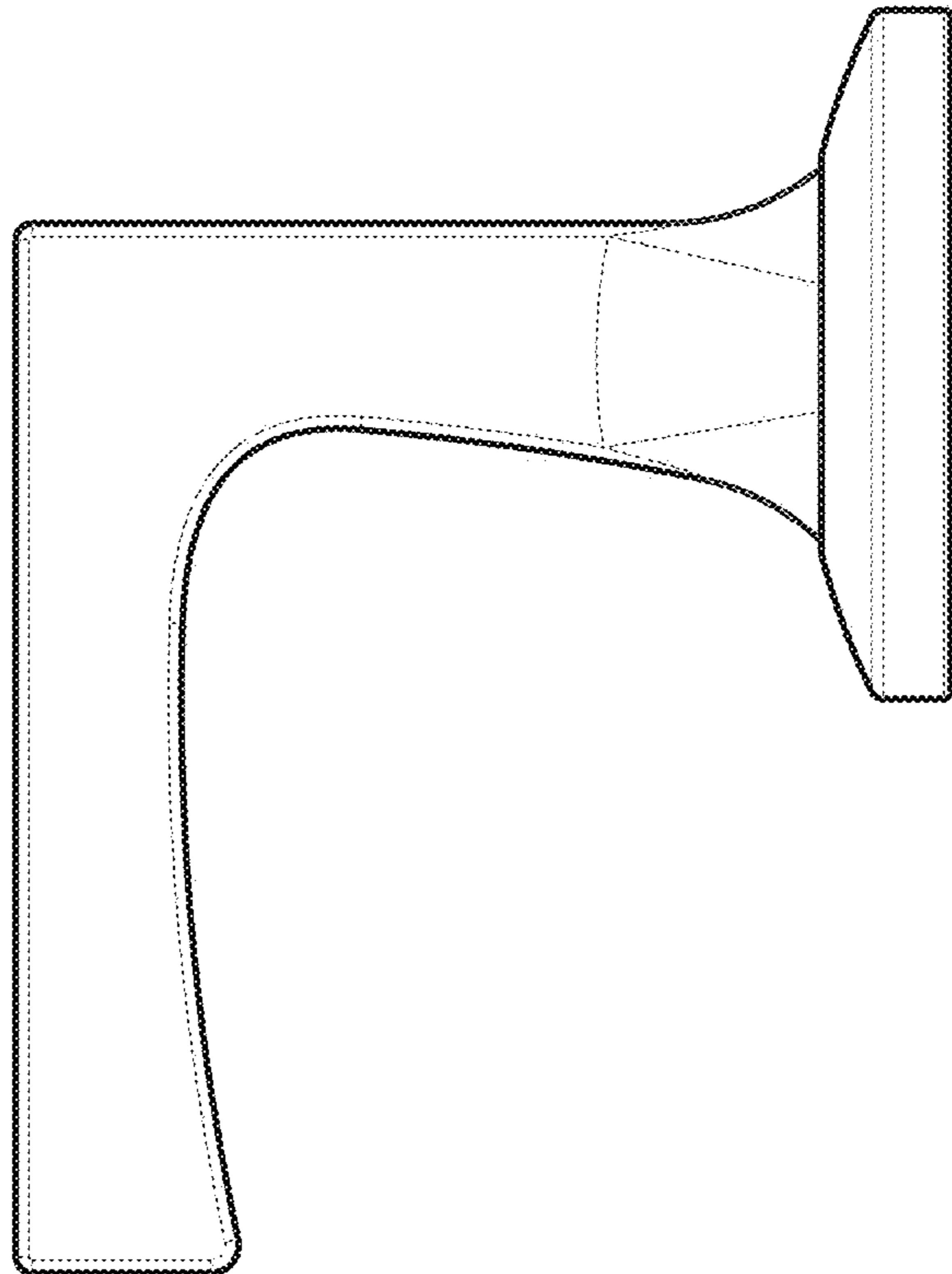


Fig. 3

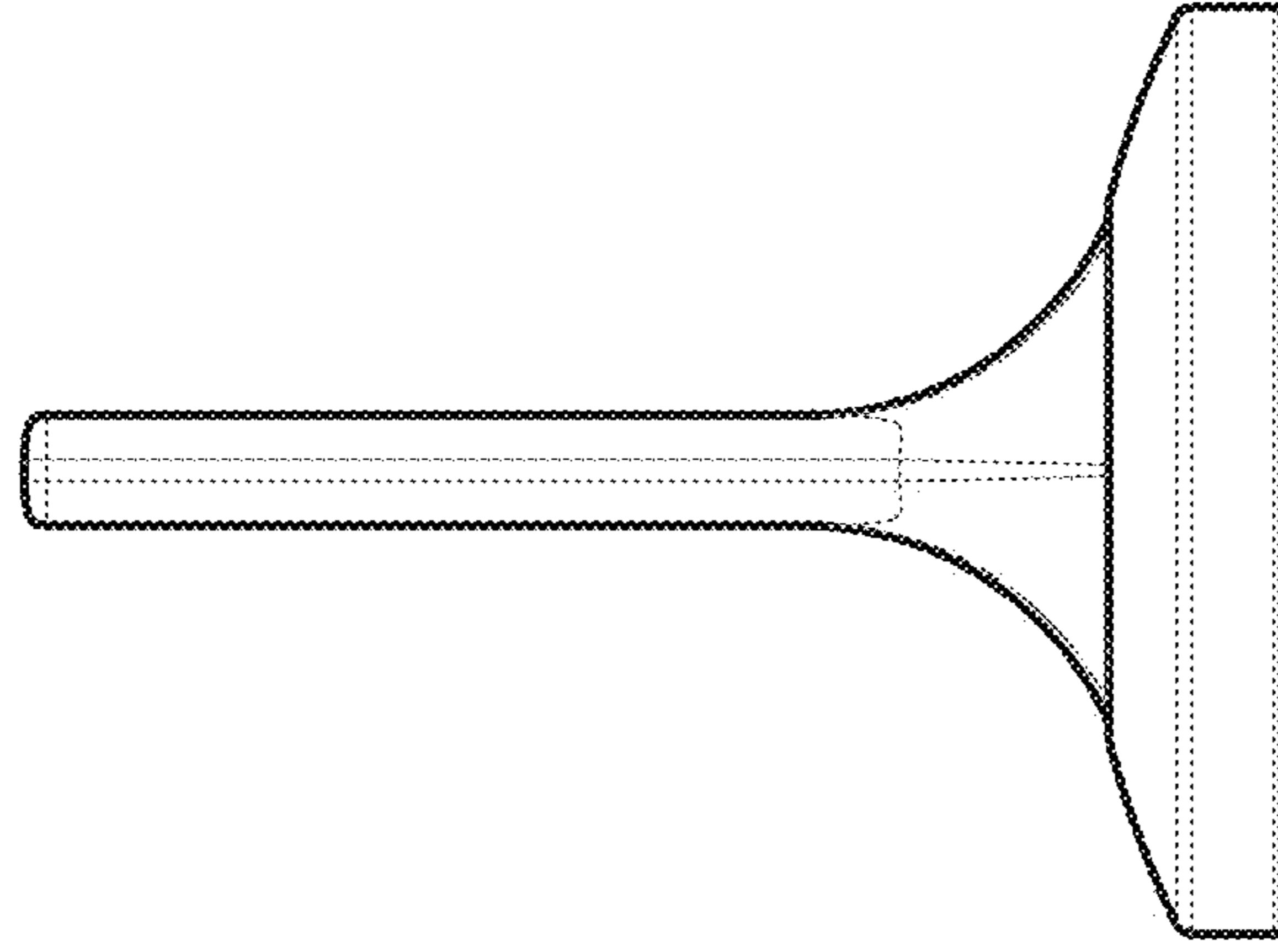


Fig. 6

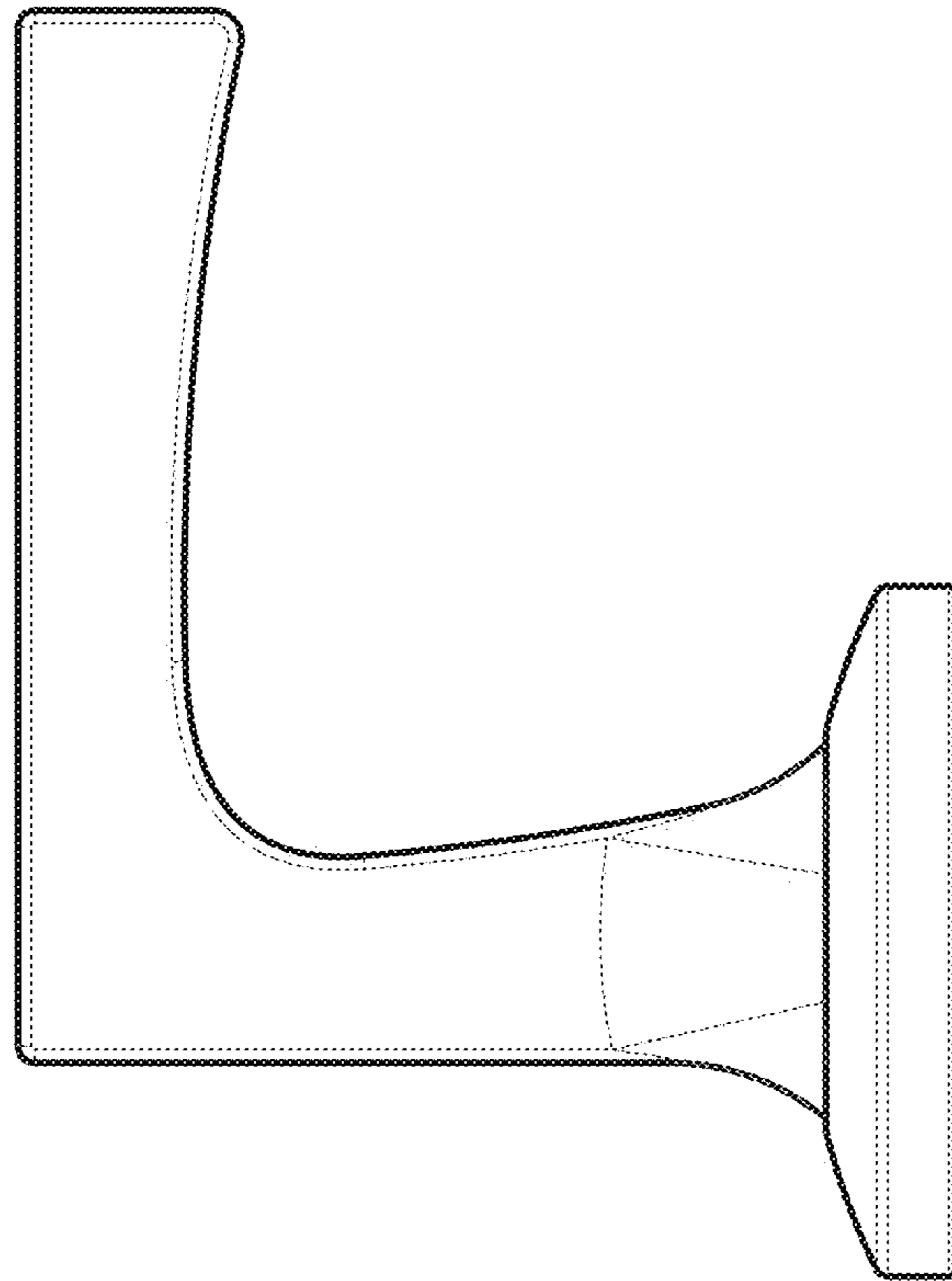


Fig. 5

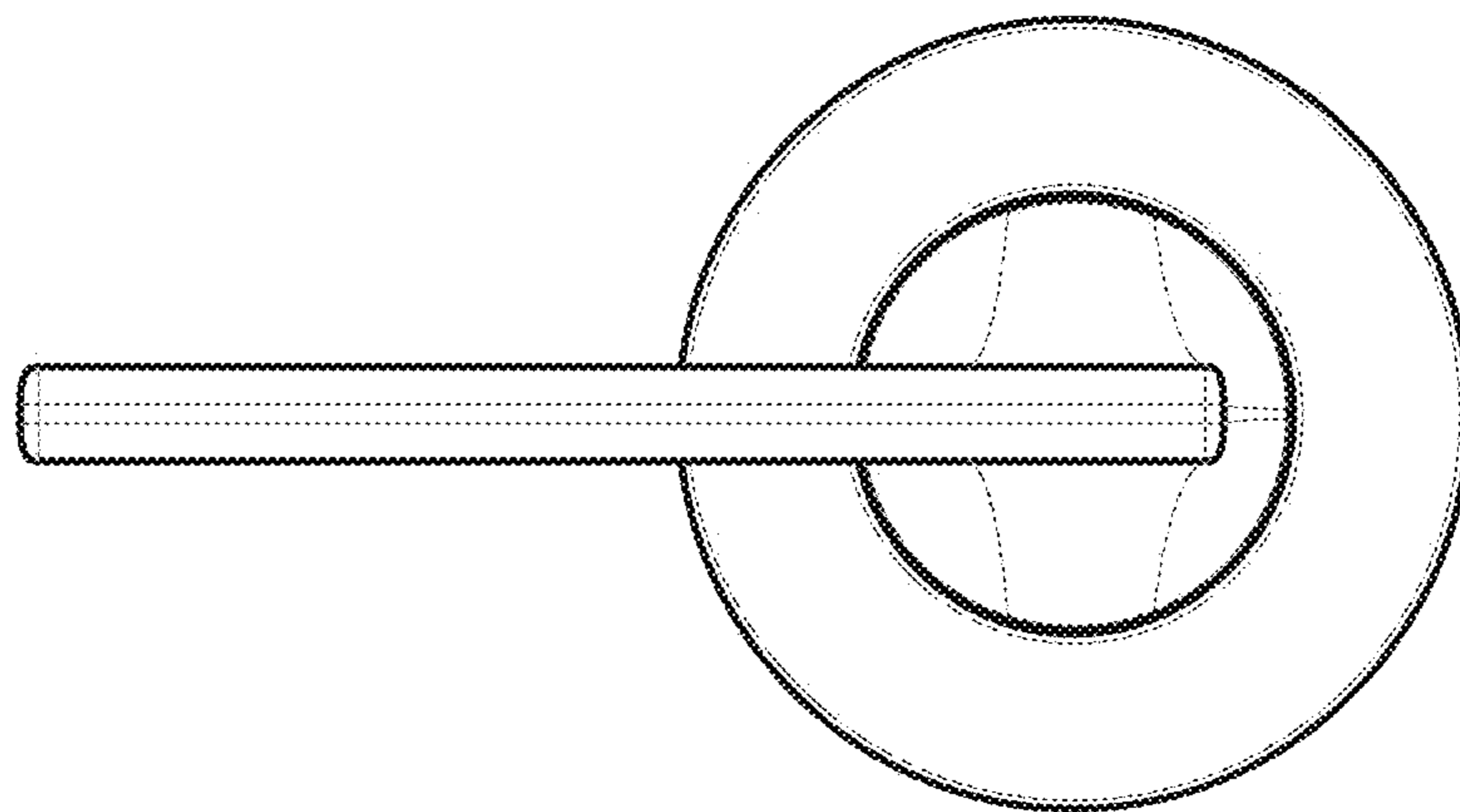


Fig. 7