



US00D878521S

(12) **United States Design Patent**  
**Tyner**

(10) **Patent No.:** **US D878,521 S**

(45) **Date of Patent:** **\*\* Mar. 17, 2020**

(54) **FAUCET HANDLE ADAPTER**

(71) Applicant: **Jimmy Brooks Tyner**, Camarillo, CA  
(US)

(72) Inventor: **Jimmy Brooks Tyner**, Camarillo, CA  
(US)

(\*\*) Term: **15 Years**

(21) Appl. No.: **29/709,662**

(22) Filed: **Oct. 16, 2019**

**Related U.S. Application Data**

(63) Continuation-in-part of application No. 29/660,988,  
filed on Aug. 23, 2018.

(51) **LOC (12) Cl.** ..... **23-01**

(52) **U.S. Cl.**

USPC ..... **D23/250**

(58) **Field of Classification Search**

USPC ..... D23/254-255, 257, 223, 226, 229, 253,  
D23/252, 233, 250, 249, 245, 234-244,  
D23/246-248; D8/300, 307, 310;  
137/315.15, 15.18, 625.46, 239, 385;  
251/118, 109, 288

CPC ..... E03C 1/0412; E03C 1/0403; E03C  
2001/026; F16K 31/60; F16K 19/006;  
F16K 31/602; F16K 31/605

See application file for complete search history.

(56) **References Cited**

U.S. PATENT DOCUMENTS

D432,633 S	10/2000	Higgins et al.
D432,634 S	10/2000	Higgins et al.
D462,111 S	8/2002	Turnau, III et al.
D626,631 S	11/2010	Romero et al.
D628,679 S	12/2010	Holmgren
D687,131 S	7/2013	Capalbo et al.

*Primary Examiner* — Cynthia Ramirez

*Assistant Examiner* — Gino Colan

(74) *Attorney, Agent, or Firm* — Ralph D Chabot

(57) **CLAIM**

The ornamental design for a faucet handle adapter, as shown and described.

**DESCRIPTION**

FIG. 1 is a top, front, right side perspective view showing the design;

FIG. 2 is a bottom, rear, left side perspective view thereof;

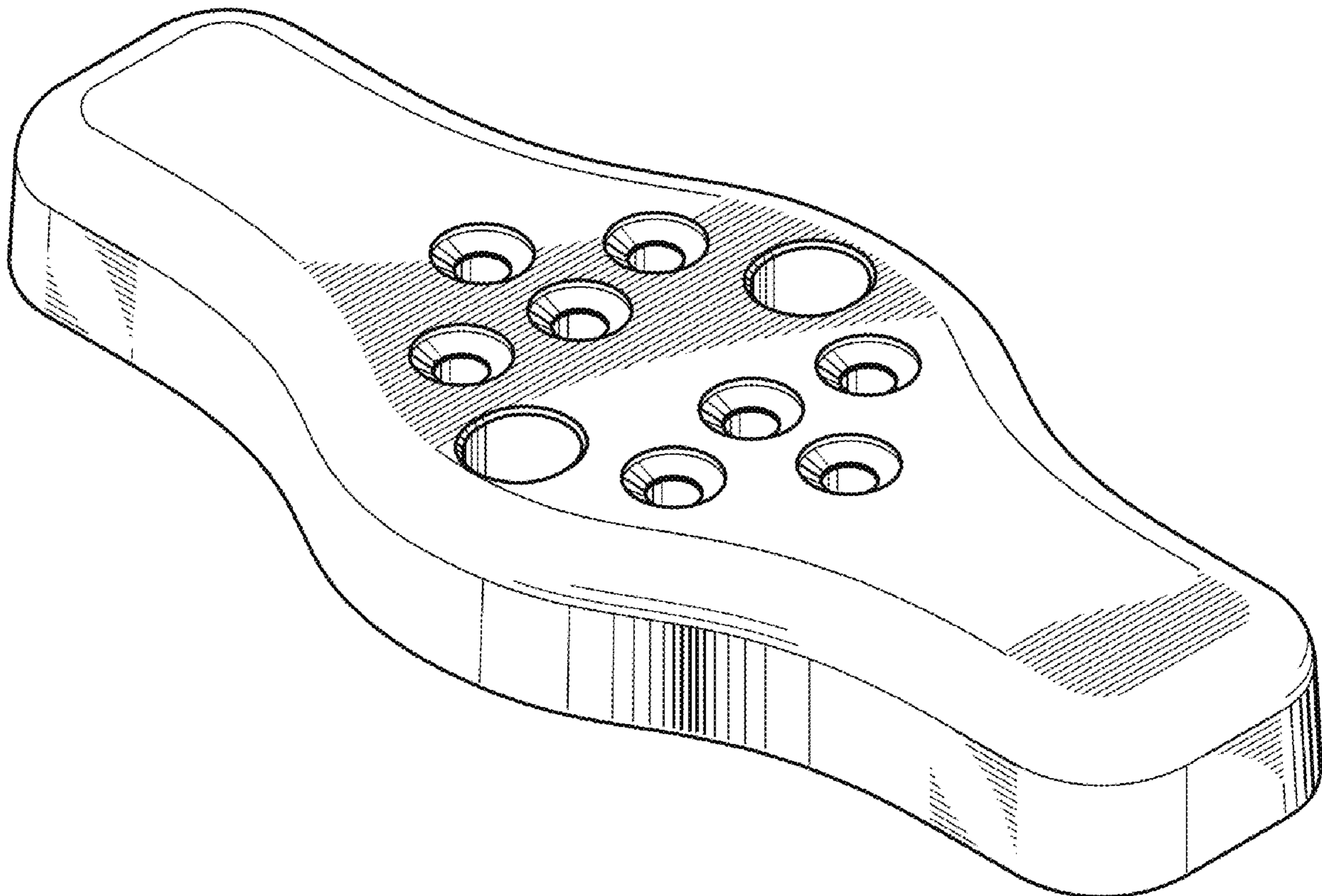
FIG. 3 is a front elevation view, the rear elevation view being a mirror image thereof;

FIG. 4 is a left side elevation view thereof with the right side elevation view being a mirror image;

FIG. 5 is a top plan view thereof; and,

FIG. 6 is a bottom plan view thereof.

**1 Claim, 2 Drawing Sheets**



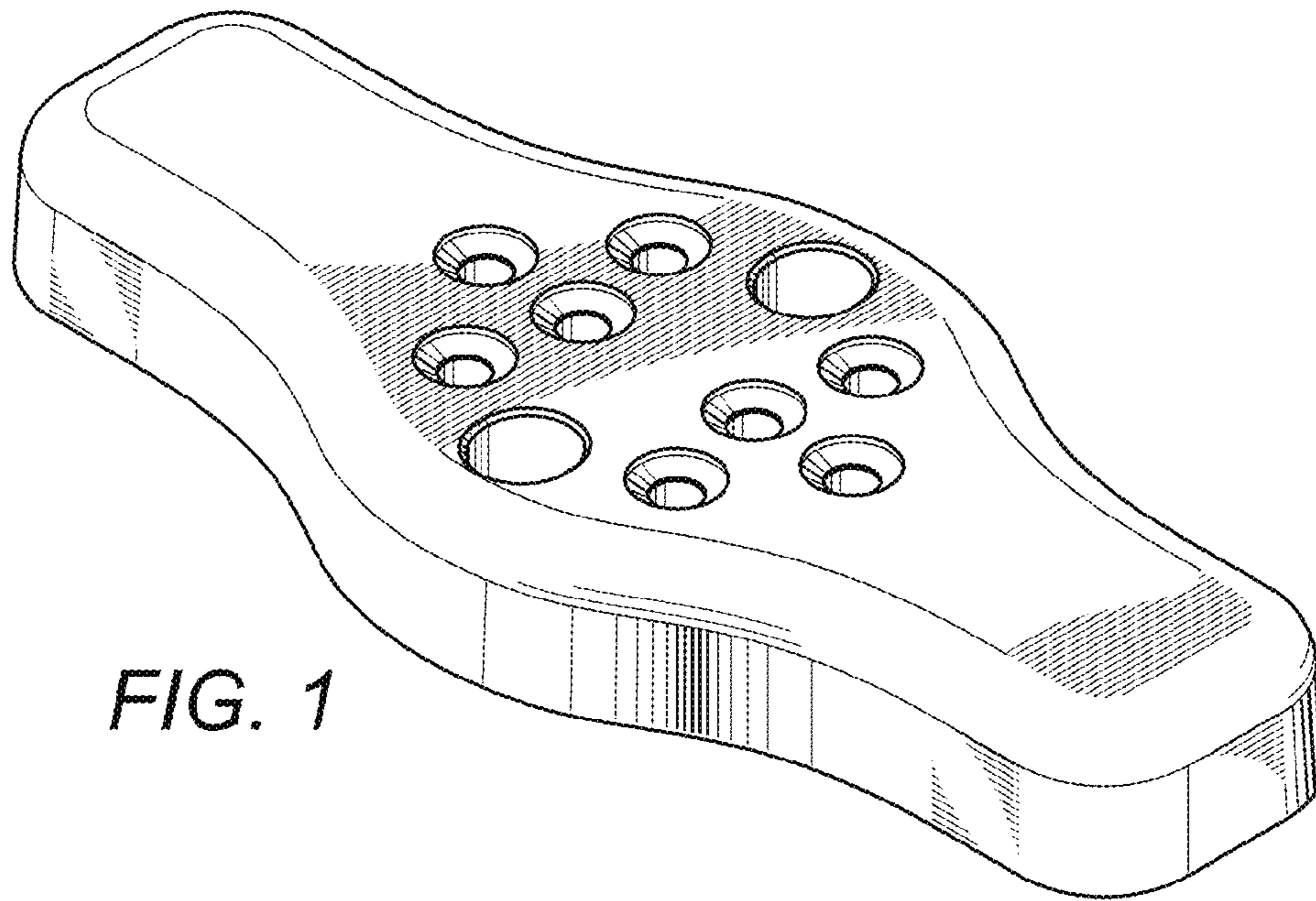


FIG. 1

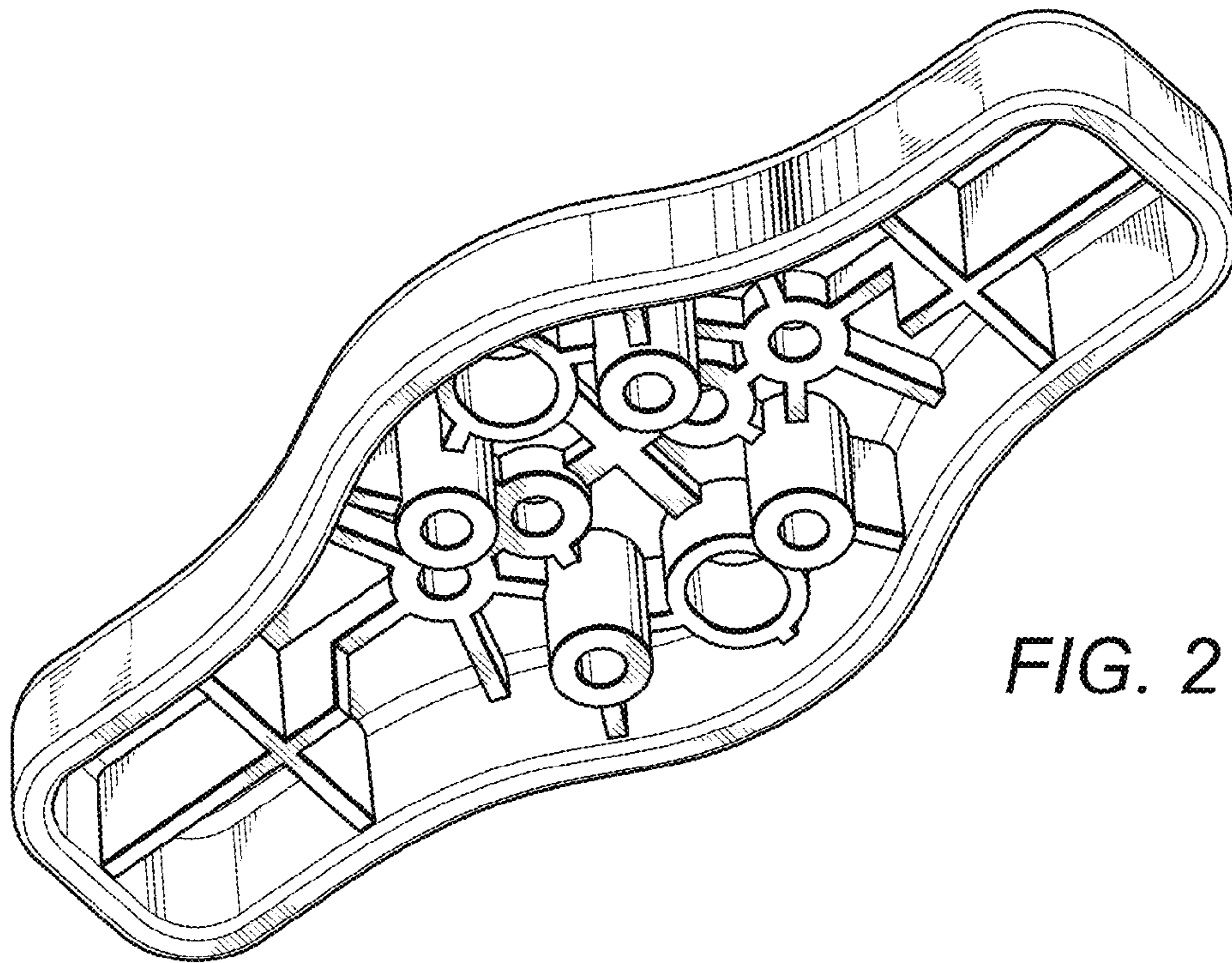


FIG. 2

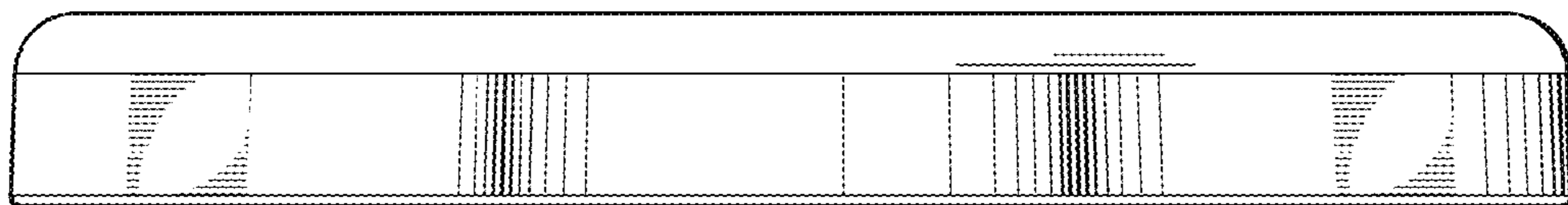


FIG. 3

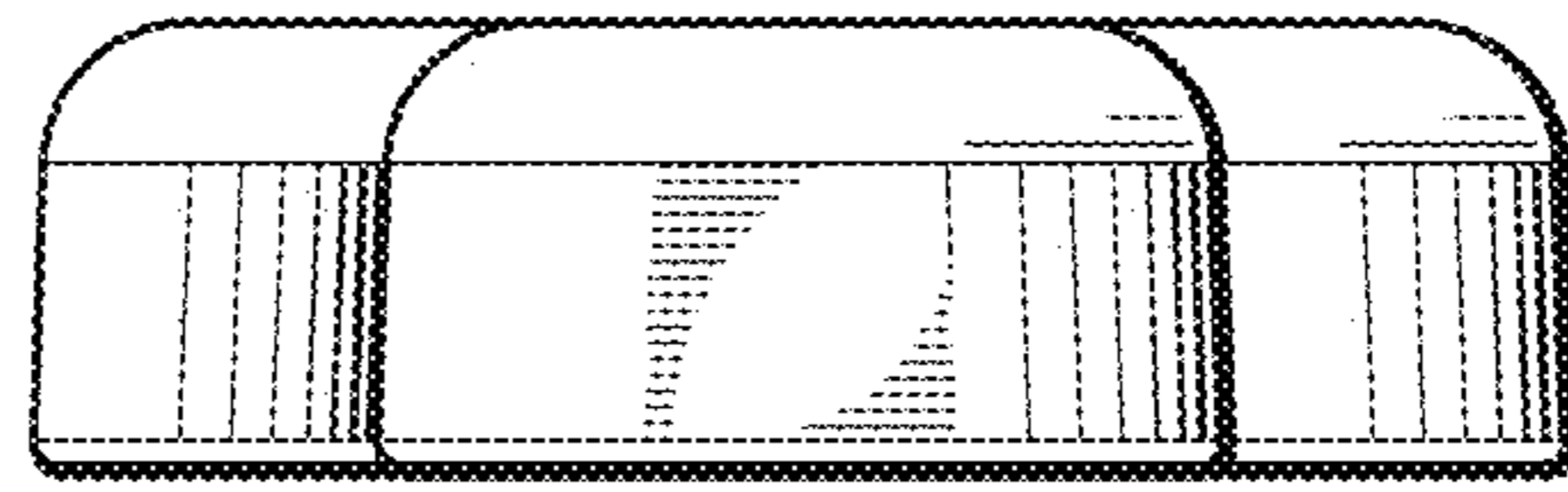


FIG. 4

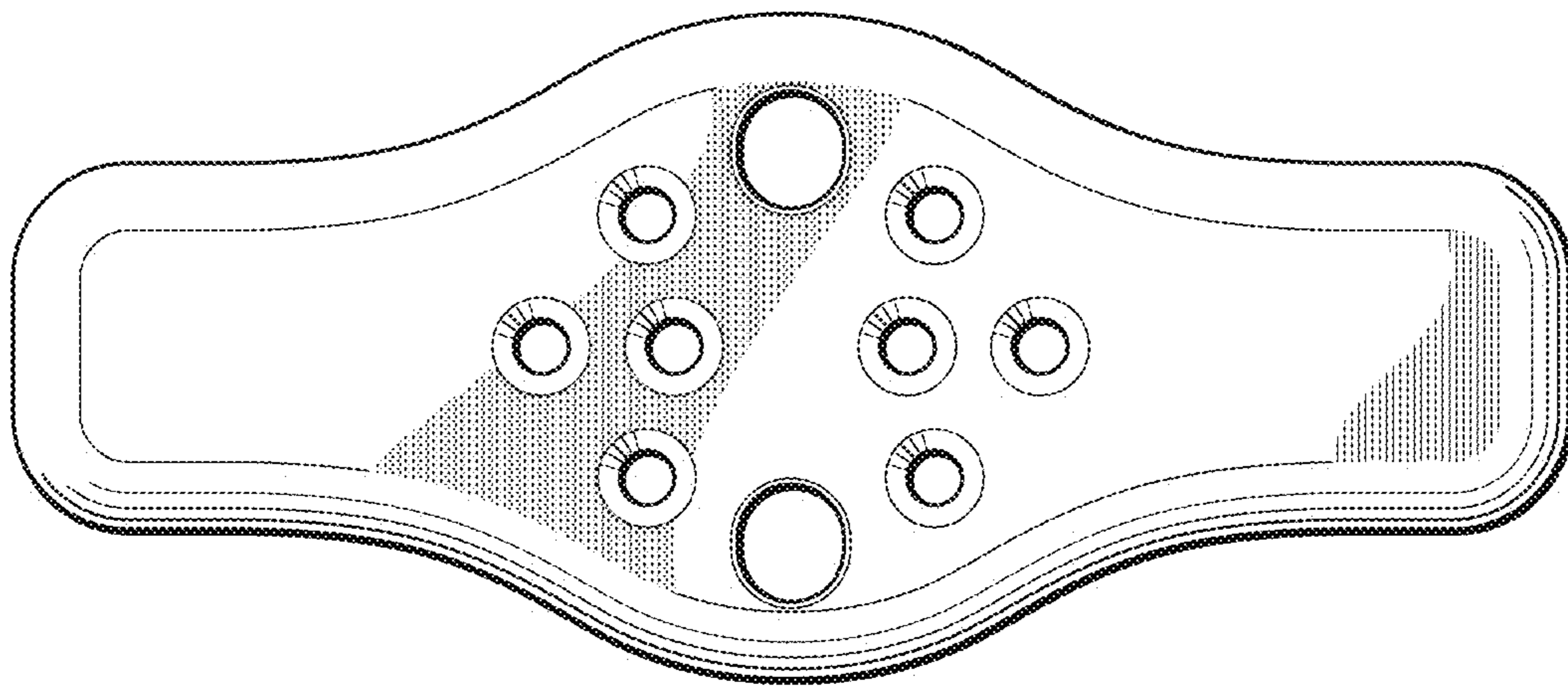


FIG. 5

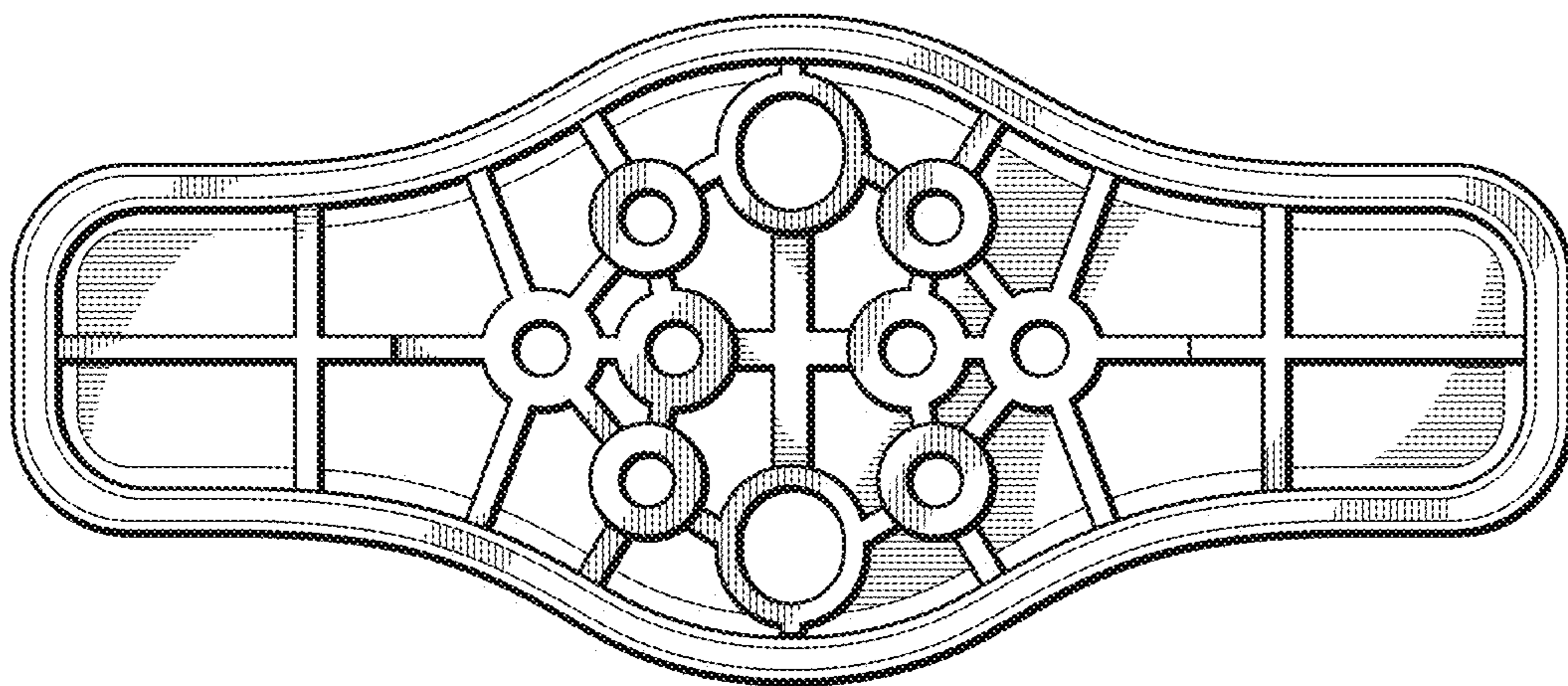


FIG. 6