



US00D878520S

(12) **United States Design Patent** (10) **Patent No.:** **US D878,520 S**
Auxter et al. (45) **Date of Patent:** **** Mar. 17, 2020**

(54) **TWO-PIECE RELIEF VALVE COMPONENT**

(71) Applicant: **FRAM GROUP IP LLC**, Lake Forest, IL (US)

(72) Inventors: **Daniel Auxter**, Genoa, OH (US);
Timothy L Memmer, Bowling Green, OH (US)

(73) Assignee: **FRAM Group IP LLC**, Lake Forest, IL (US)

(**) Term: **15 Years**

(21) Appl. No.: **29/709,769**

(22) Filed: **Oct. 17, 2019**

Related U.S. Application Data

(62) Division of application No. 29/633,800, filed on Jan. 16, 2018.

(51) **LOC (12) Cl.** **23-01**

(52) **U.S. Cl.**
USPC **D23/249**

(58) **Field of Classification Search**
USPC D23/233, 235, 237, 244, 249, 365, 209;
210/130-136, 450, 430; 137/526, 533.11,
137/542

CPC . F16K 17/02; F16K 24/04; F16K 1/42; F16K
1/465; F16K 24/06; B01D 2201/291;
B01D 2201/34; B01D 35/306; B01D
35/005; B01D 35/30

See application file for complete search history.

(56) **References Cited**

U.S. PATENT DOCUMENTS

3,305,095 A * 2/1967 Hathaway B01D 27/103
210/130

3,567,022 A 3/1971 Thornton et al.
3,589,517 A 6/1971 Palmai

5,363,878 A * 11/1994 Atkins F16K 15/144
137/526
5,395,518 A * 3/1995 Gulsvig B01D 27/06
210/132
6,284,130 B1 9/2001 Daniel
9,995,408 B1 * 6/2018 Yager F16K 17/12
D835,756 S * 12/2018 Auxter D23/249
D844,113 S * 3/2019 Auxter D23/249
2015/0219226 A1 8/2015 Bilski et al.
2018/0304179 A1 * 10/2018 Auxter B01D 35/1475

FOREIGN PATENT DOCUMENTS

GB 1592613 7/1981

OTHER PUBLICATIONS

International Search Report and Written Opinion of PCT/US18/29027 dated Jul. 20, 2018.

* cited by examiner

Primary Examiner — Gino Colan

(74) *Attorney, Agent, or Firm* — Miller Canfield

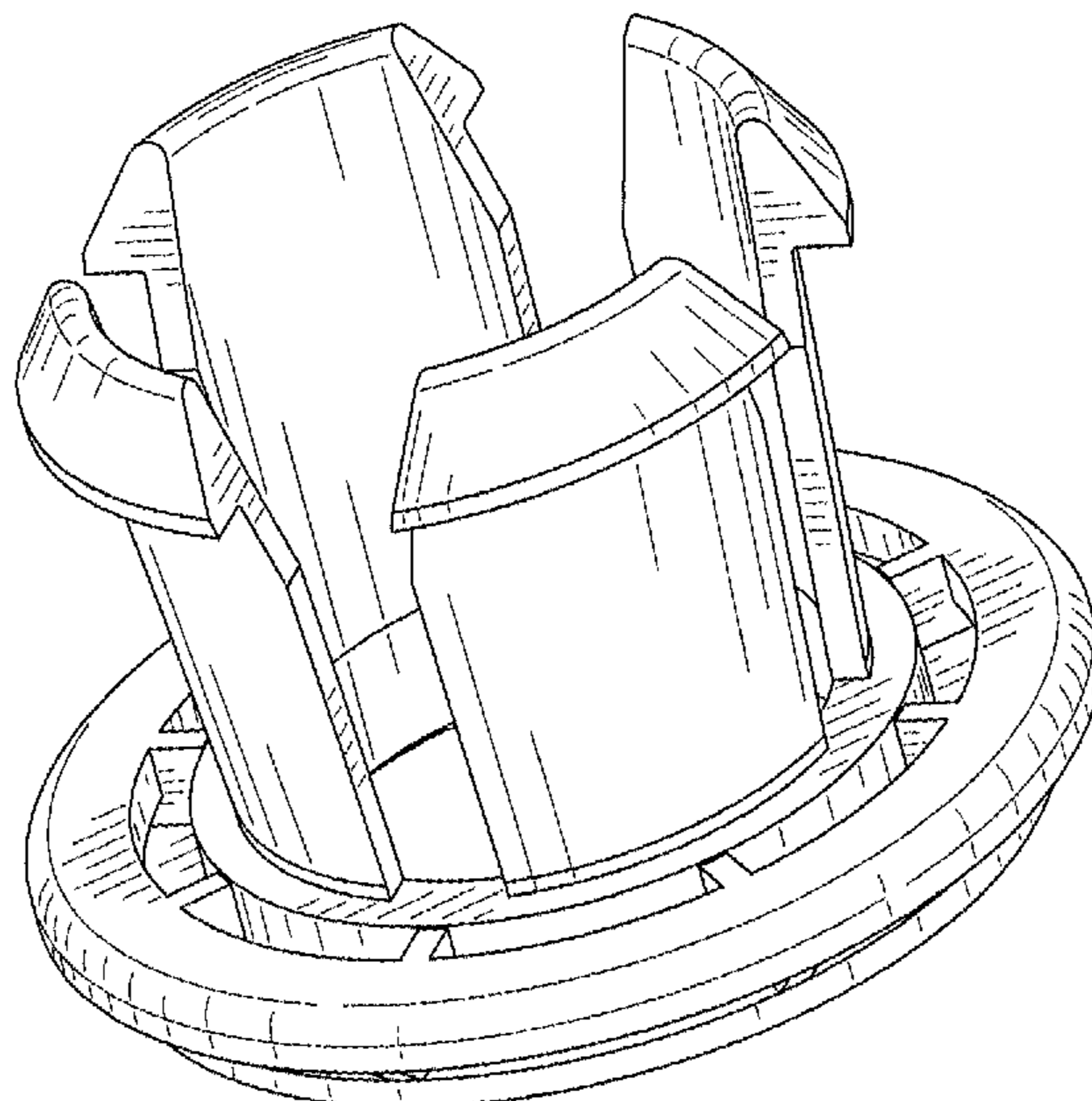
(57) **CLAIM**

The ornamental design for a two-piece relief valve component, as shown and described.

DESCRIPTION

FIG. 1 is a side perspective view of a two-piece relief valve component showing our new design; FIG. 2 is a bottom perspective view thereof; FIG. 3 is a left side view thereof; FIG. 4 is a right side view thereof; FIG. 5 is a top plan view thereof; FIG. 6 is a bottom plan view thereof; and, FIG. 7 is an exploded side perspective view thereof. The broken lines shown in the drawings are for purposes of illustrating portions of the two-piece relief valve component which form no part of the claimed design.

1 Claim, 4 Drawing Sheets



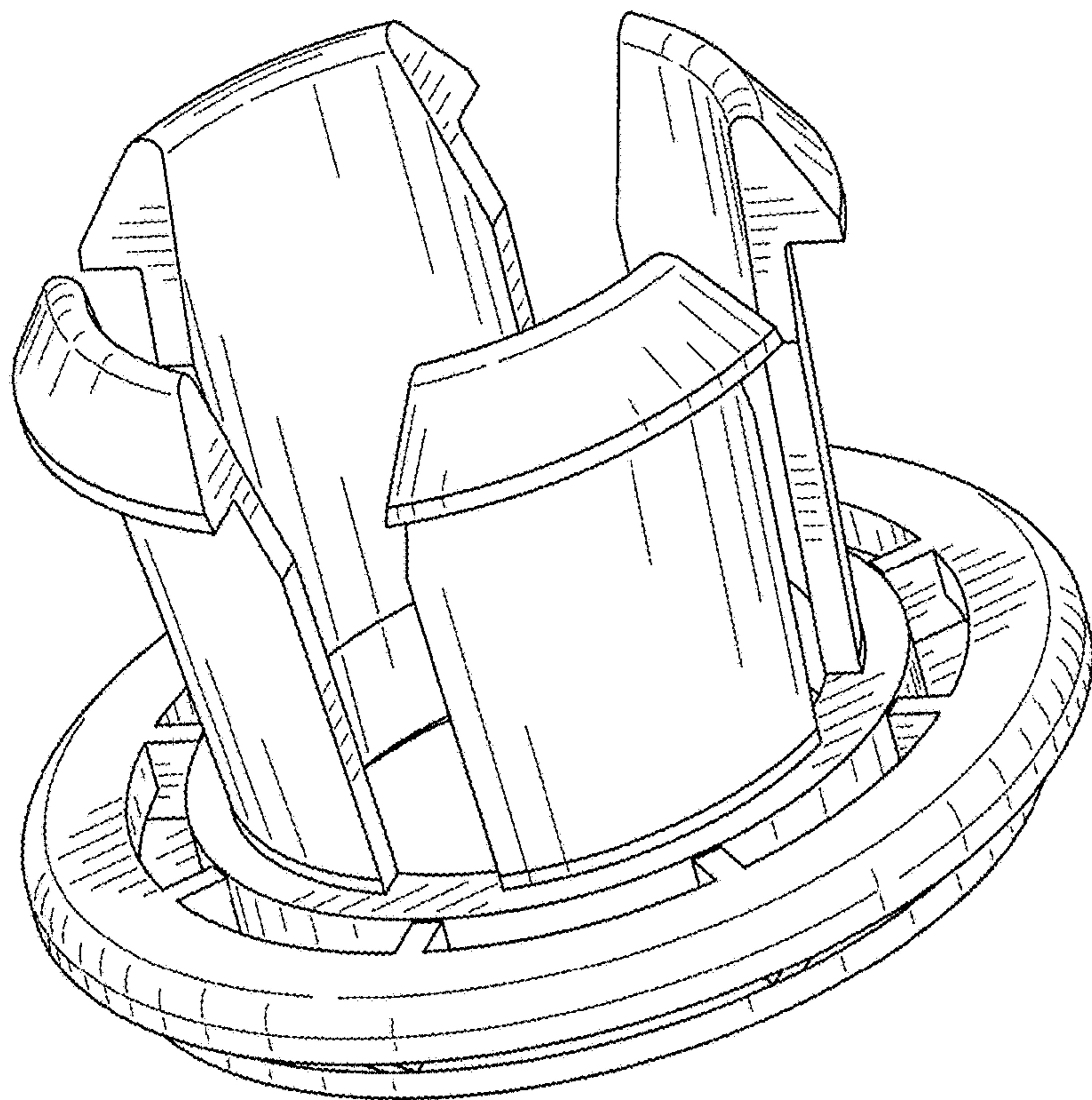


FIG. 1

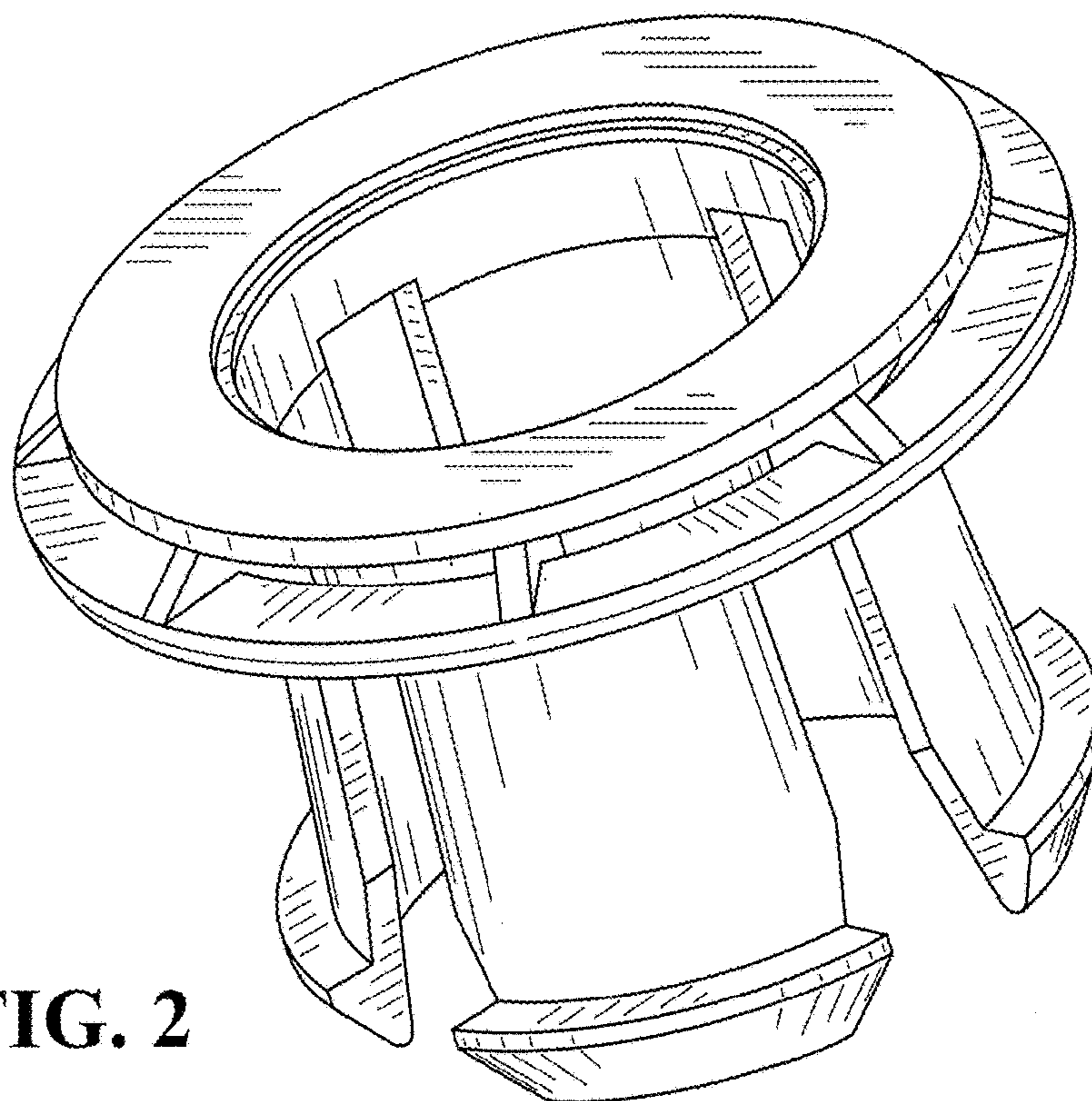


FIG. 2

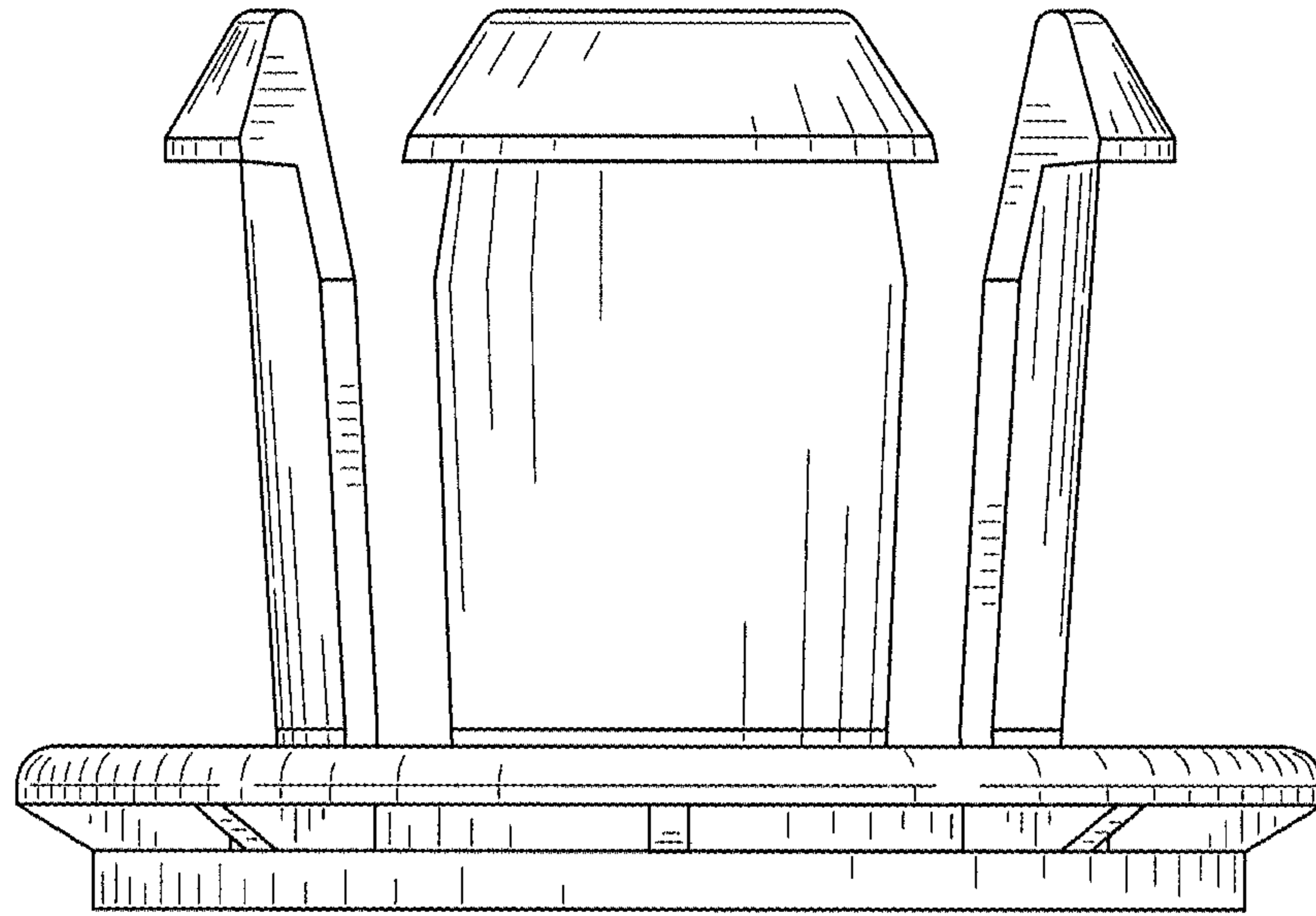


FIG. 3

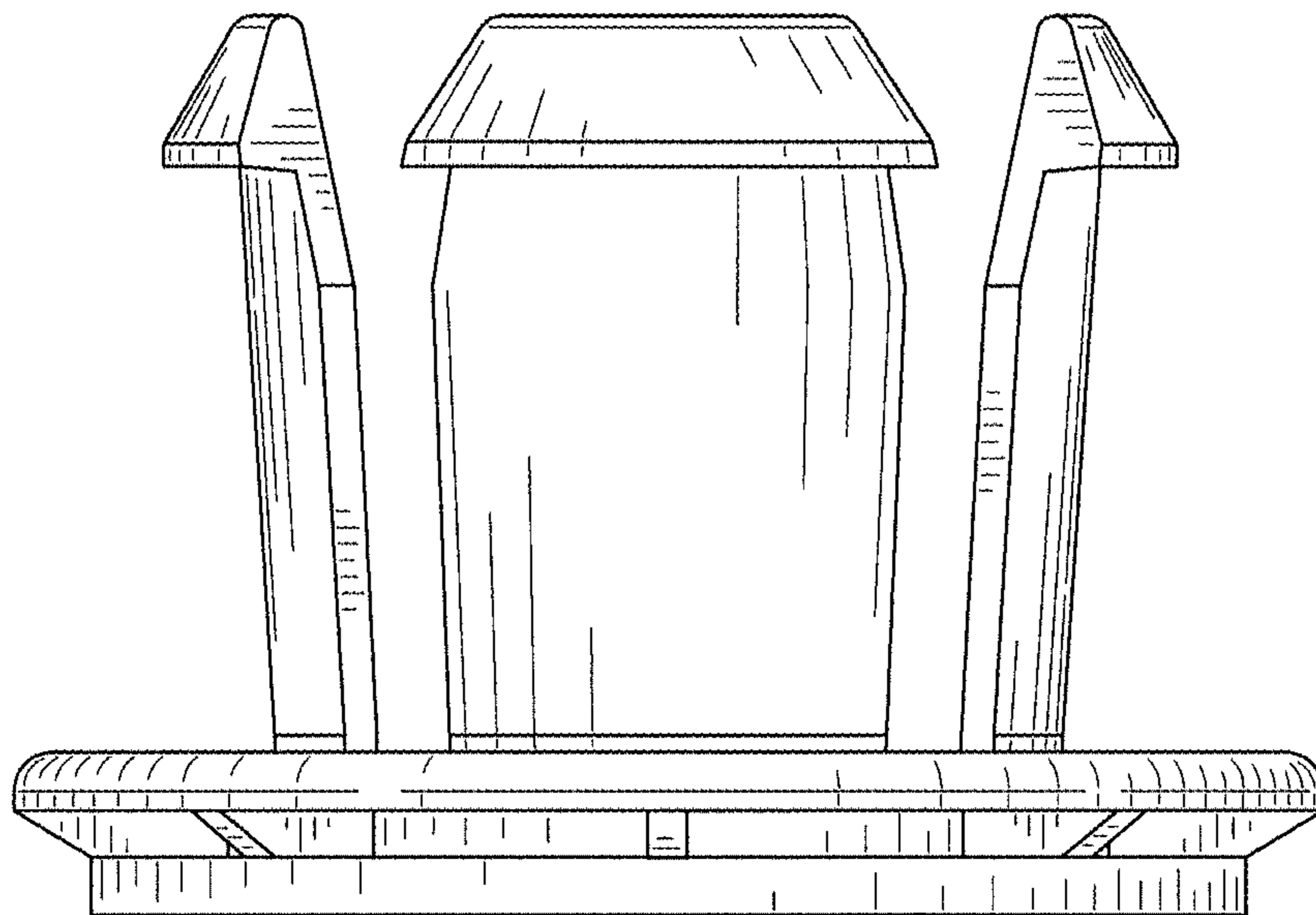


FIG. 4

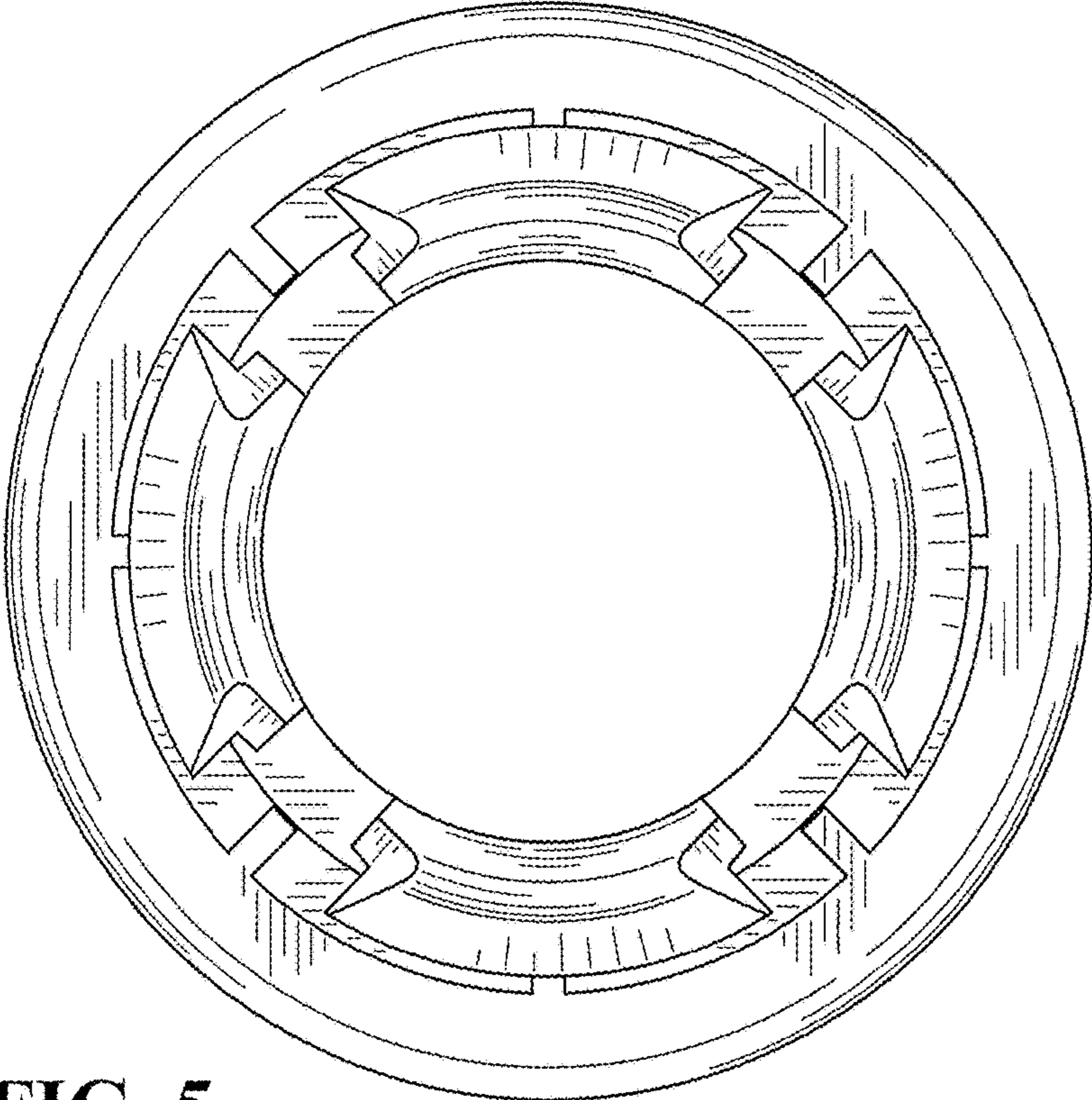


FIG. 5

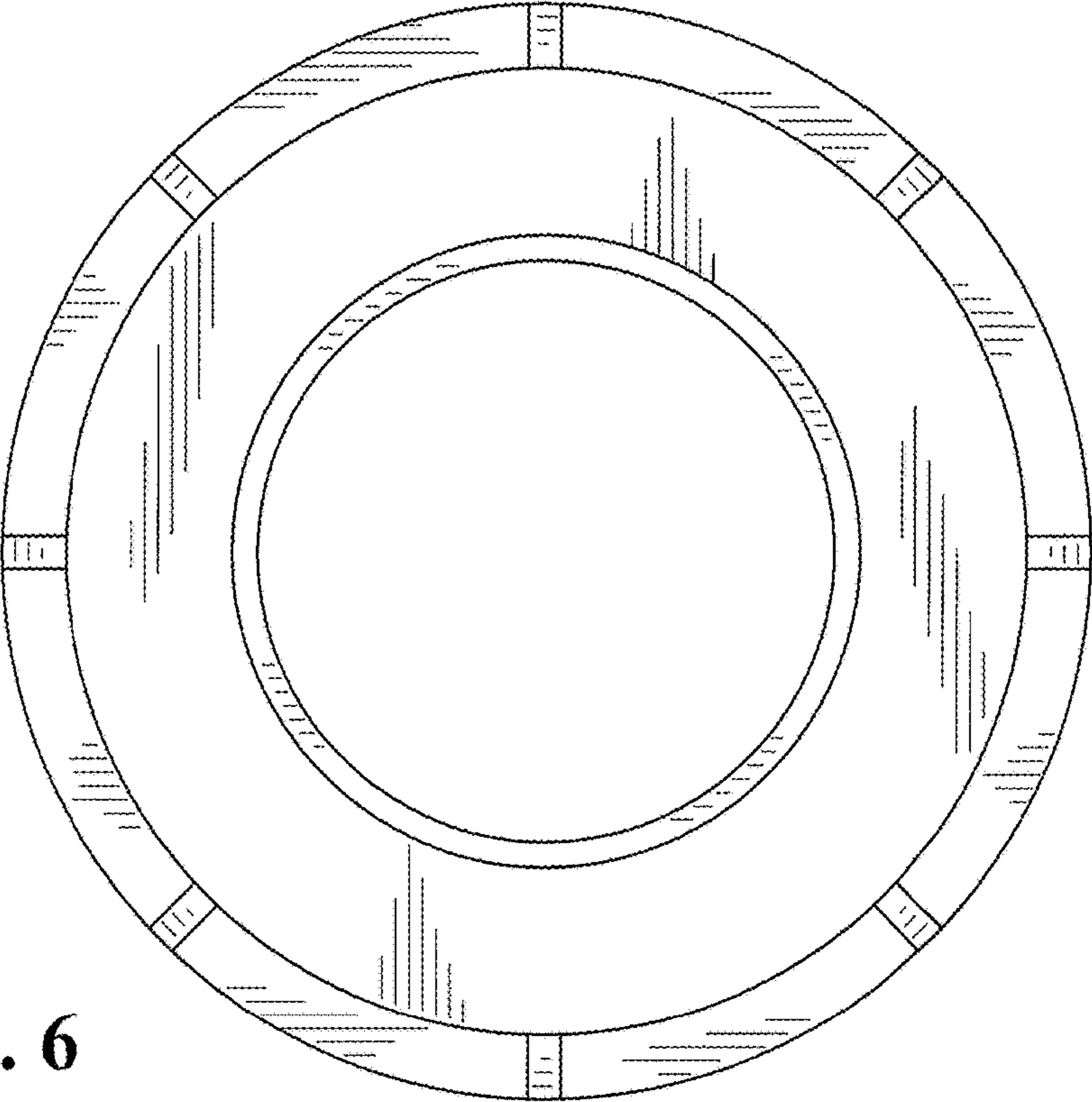


FIG. 6

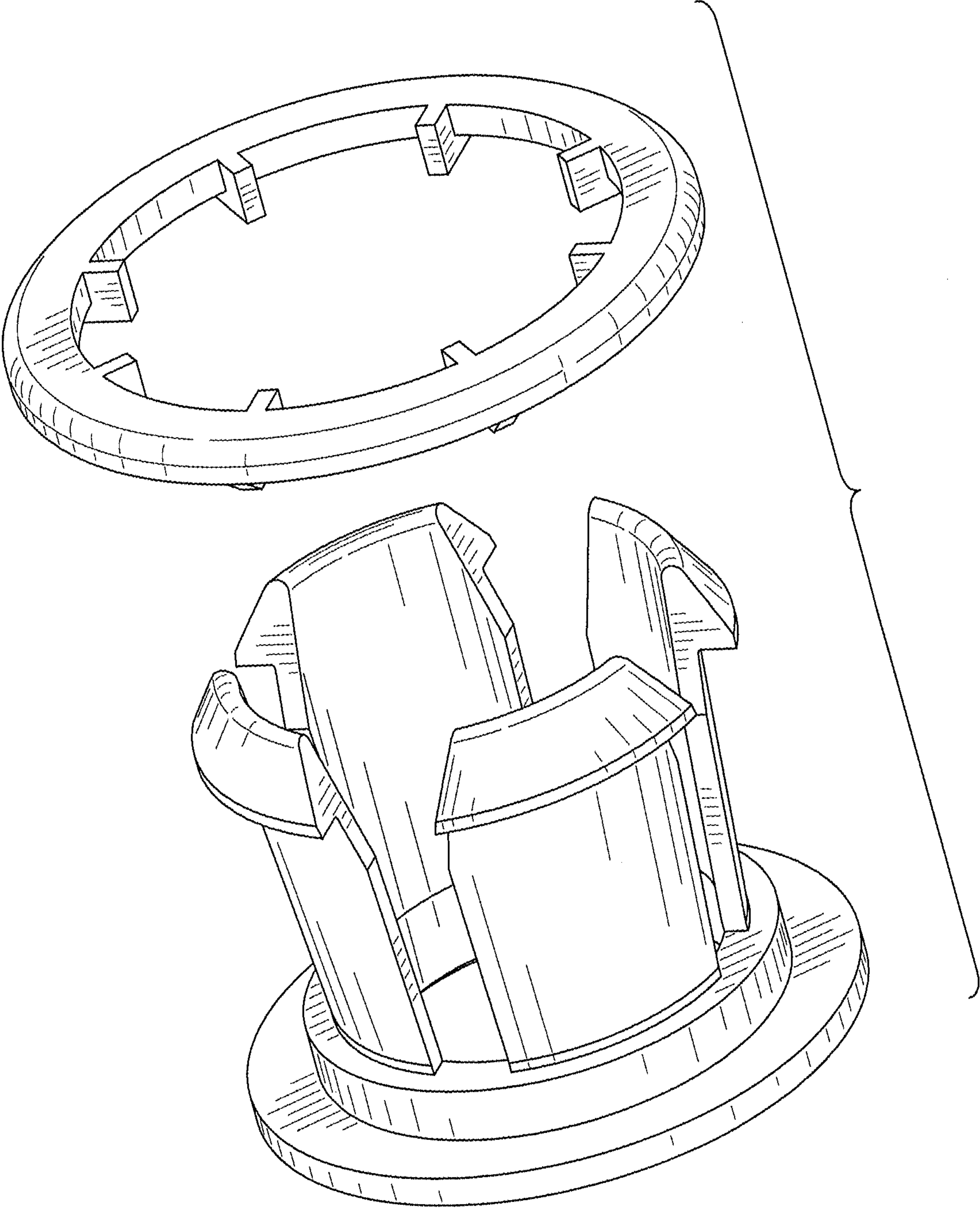


FIG. 7