



US00D878519S

(12) **United States Design Patent**  
**Abbhagen**

(10) **Patent No.:** **US D878,519 S**  
(45) **Date of Patent:** **\*\* Mar. 17, 2020**

- (54) **TAP NOZZLE**
- (71) Applicant: **ALTERED STOCKHOLM AB**,  
Stockholm (SE)
- (72) Inventor: **Mikael Abbhagen**, Stockholm (SE)
- (73) Assignee: **ALTERED STOCKHOLM AB**,  
Stockholm (SE)
- (\*\*) Term: **15 Years**
- (21) Appl. No.: **35/506,349**
- (22) Filed: **Jul. 24, 2018**
- (80) **Hague Agreement Data**  
Int. Filing Date: **Jul. 24, 2018**  
Int. Reg. No.: **DM/102585**  
Int. Reg. Date: **Jul. 24, 2018**  
Int. Reg. Pub. Date: **Jan. 25, 2019**
- (51) **LOC (12) Cl.** ..... **23-02**
- (52) **U.S. Cl.**  
USPC ..... **D23/213**
- (58) **Field of Classification Search**  
USPC ..... D23/213, 223, 226  
CPC ..... B05B 15/061; B05B 1/00; B05B 5/00;  
B05B 1/005; B05B 3/00; B05B 9/01;  
B05B 7/1209; A62C 31/22; B67D 7/42  
See application file for complete search history.

- D600,546 S \* 9/2009 Scilingo ..... D8/397
- D716,653 S \* 11/2014 Balembois ..... D9/435
- D733,558 S \* 7/2015 Wyne ..... D9/436
- D794,760 S \* 8/2017 Morlet ..... D23/265
- D854,651 S \* 7/2019 Verrett, Jr. .... D23/213
- D863,503 S \* 10/2019 Tempel ..... D23/213
- D867,530 S \* 11/2019 Vogeli ..... D23/213

\* cited by examiner

*Primary Examiner* — Khawaja Anwar

(74) *Attorney, Agent, or Firm* — Meunier Carlin & Curfman LLC

(57) **CLAIM**

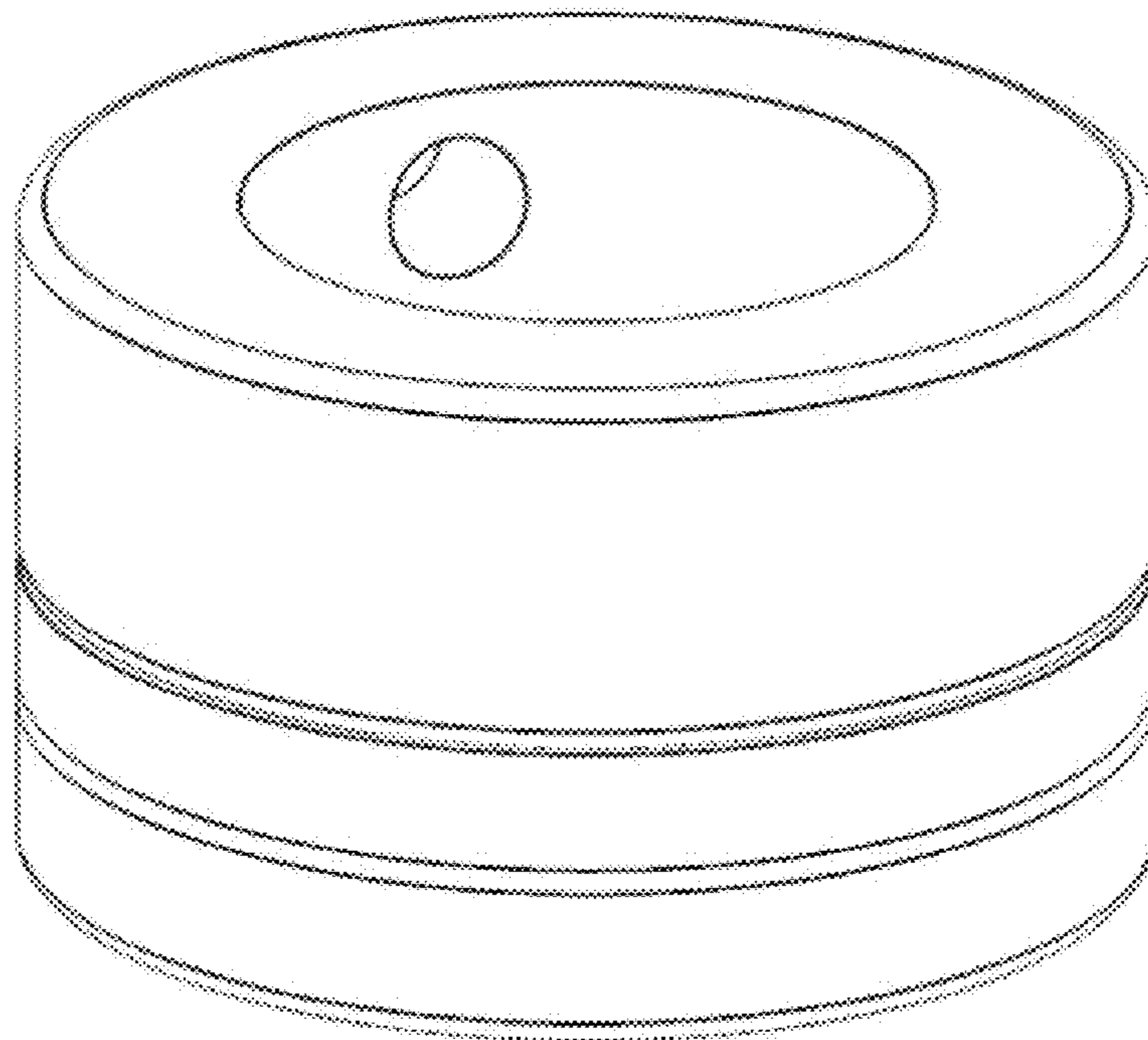
The ornamental design for tap nozzle, as shown and described.

**DESCRIPTION**

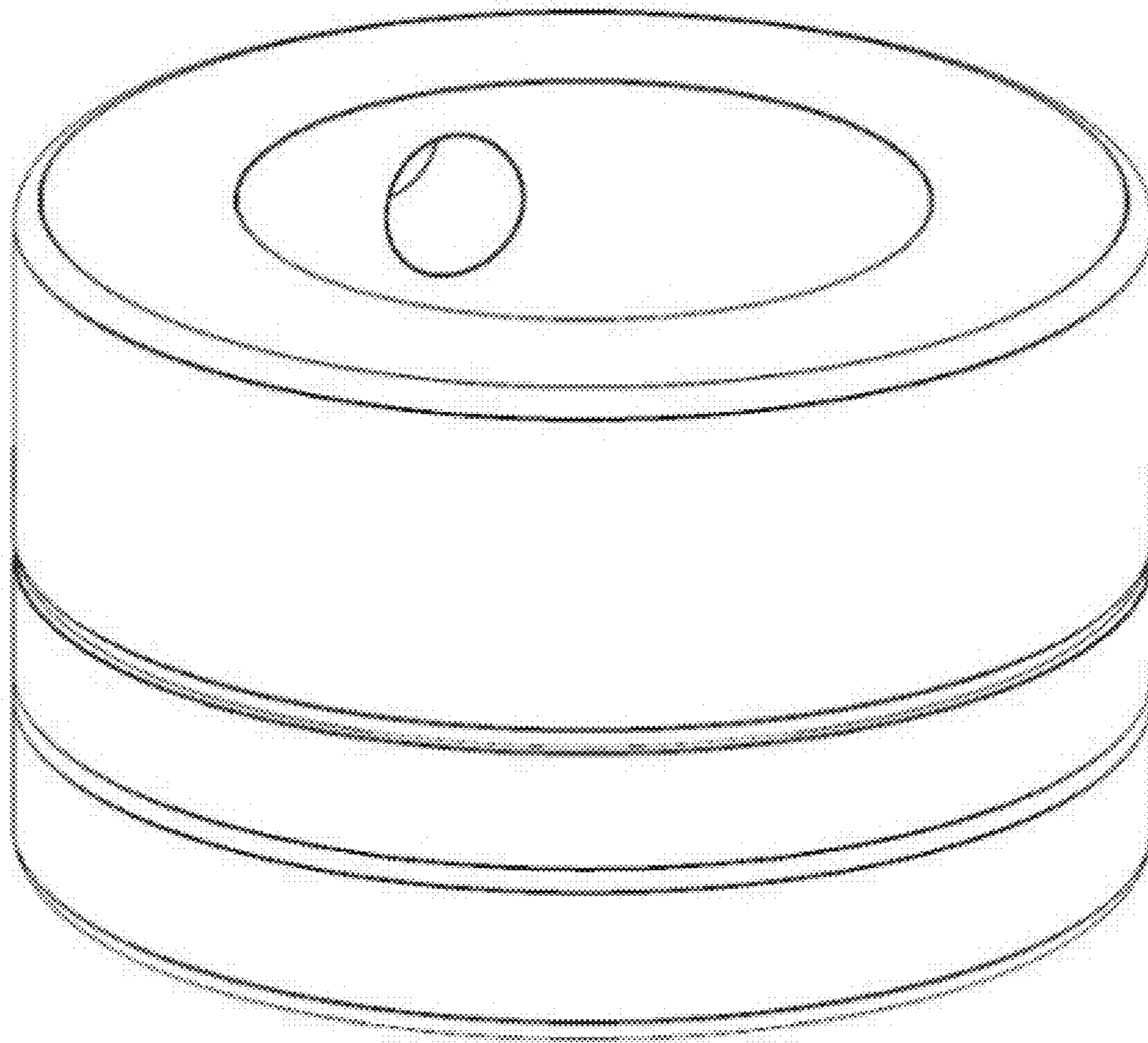
FIG. 1.1 is a rear perspective view of a tap nozzle showing my new design according to a first embodiment.  
 FIG. 1.2 is a rear view of my new design shown in FIG. 1.1.  
 FIG. 1.3 is a left-side view of my new design shown in FIG. 1.1.  
 FIG. 1.4 is a front view of my new design shown in FIG. 1.1.  
 FIG. 1.5 is a right-side view of my new design shown in FIG. 1.1.  
 FIG. 1.6 is a top view of my new design shown in FIG. 1.1.  
 FIG. 2.1 is a rear perspective view of a tap nozzle showing my new design according to a second embodiment.  
 FIG. 2.2 is a rear view of my new design shown in FIG. 2.1.  
 FIG. 2.3 is a left-side view of my new design shown in FIG. 2.1.  
 FIG. 2.4 is a front view of my new design shown in FIG. 2.1.  
 FIG. 2.5 is a right-side view of my new design shown in FIG. 2.1.  
 FIG. 2.6 is a top view of my new design shown in FIG. 2.1.

**1 Claim, 12 Drawing Sheets**

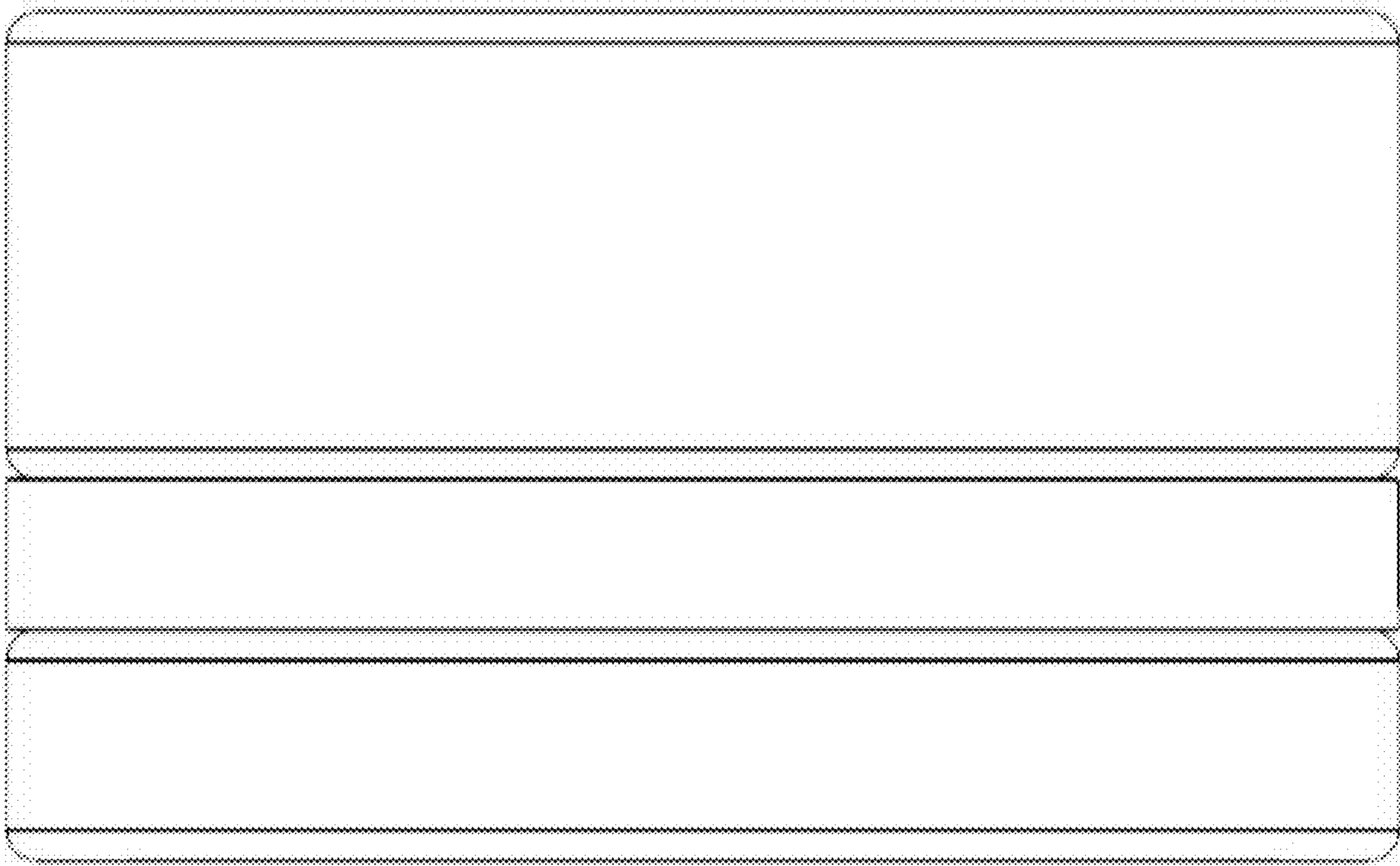
- (56) **References Cited**  
U.S. PATENT DOCUMENTS  
D296,579 S \* 7/1988 Hattori ..... D23/262  
D502,925 S \* 3/2005 Chung ..... D13/154



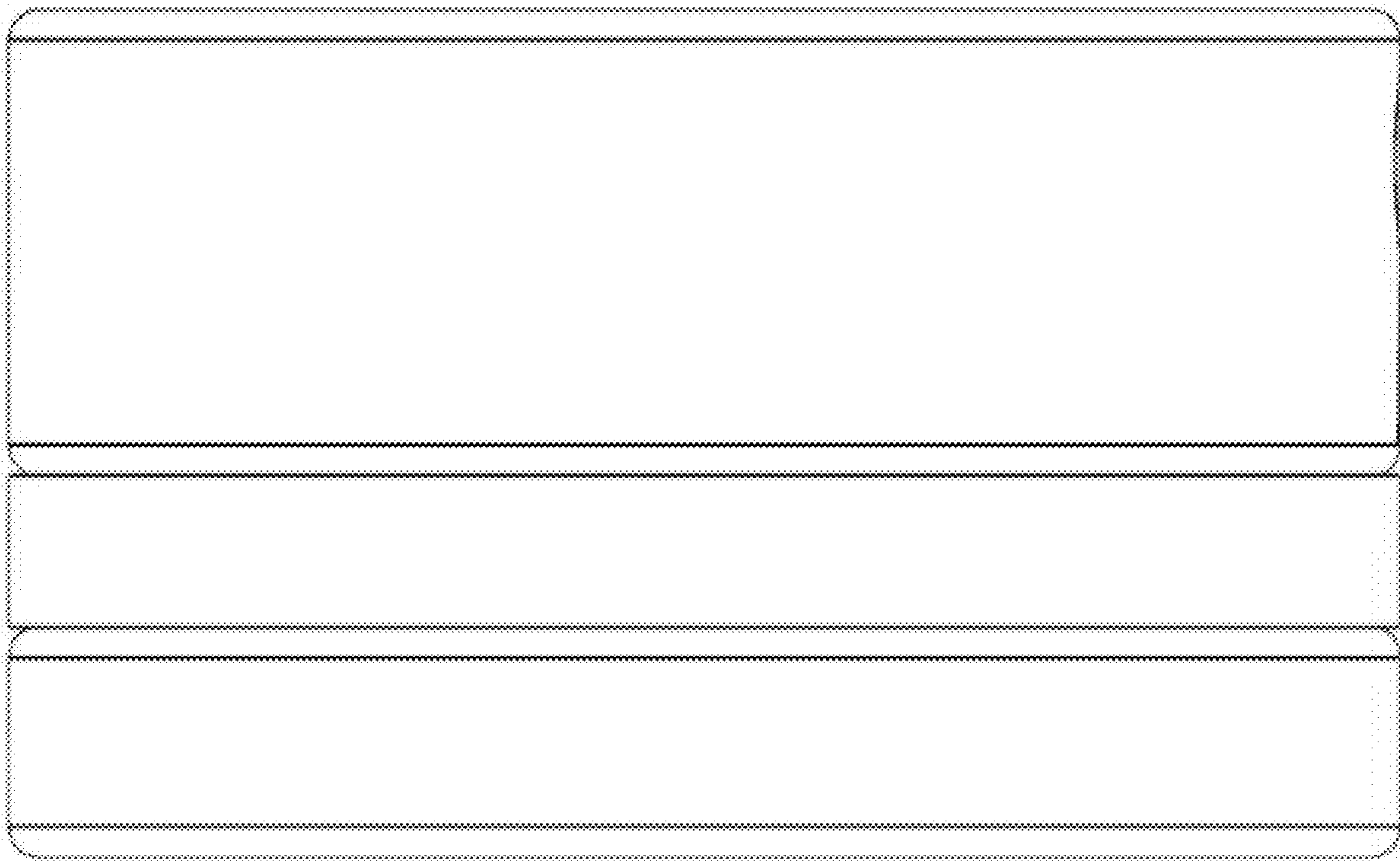
# 1.1



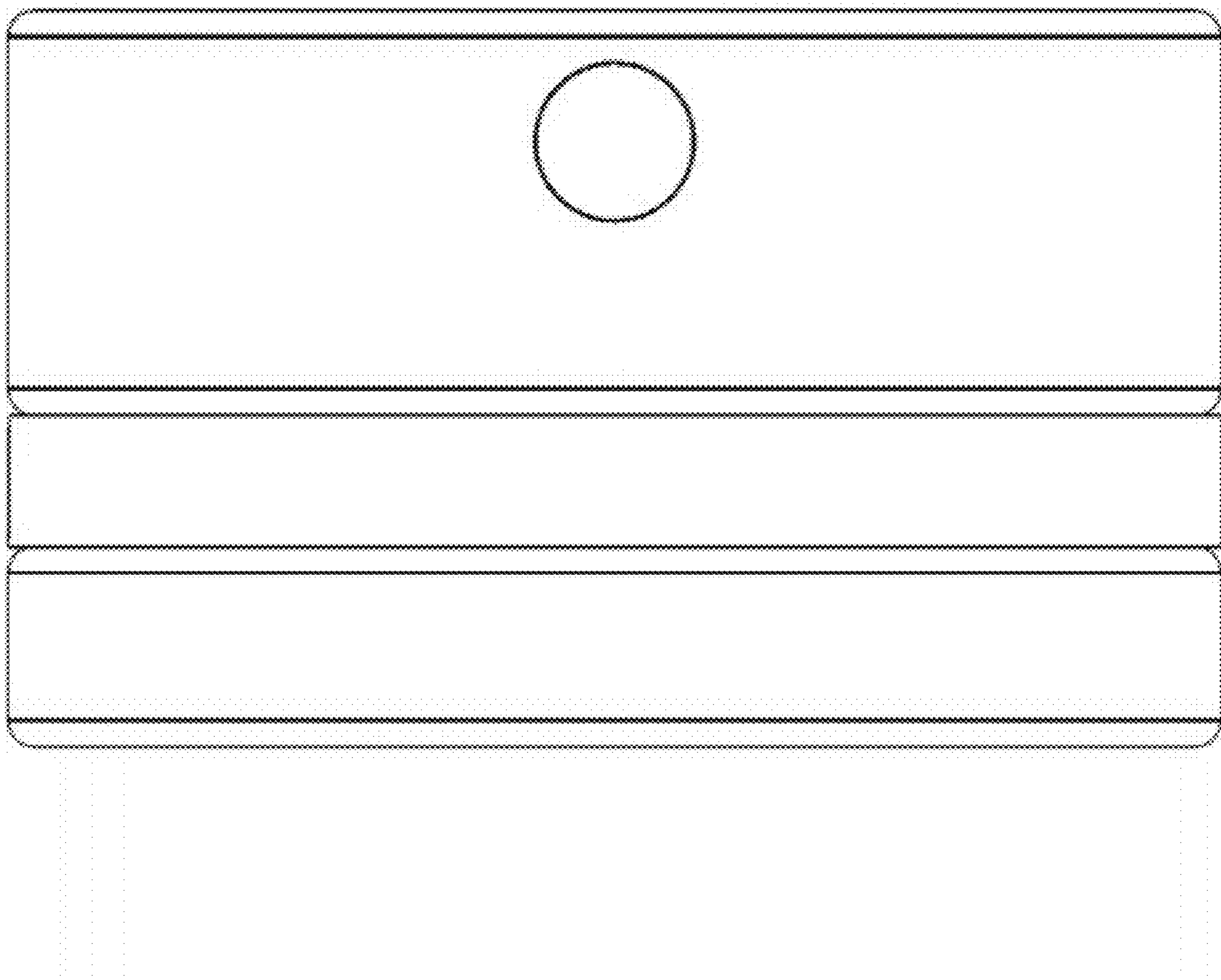
# 1.2



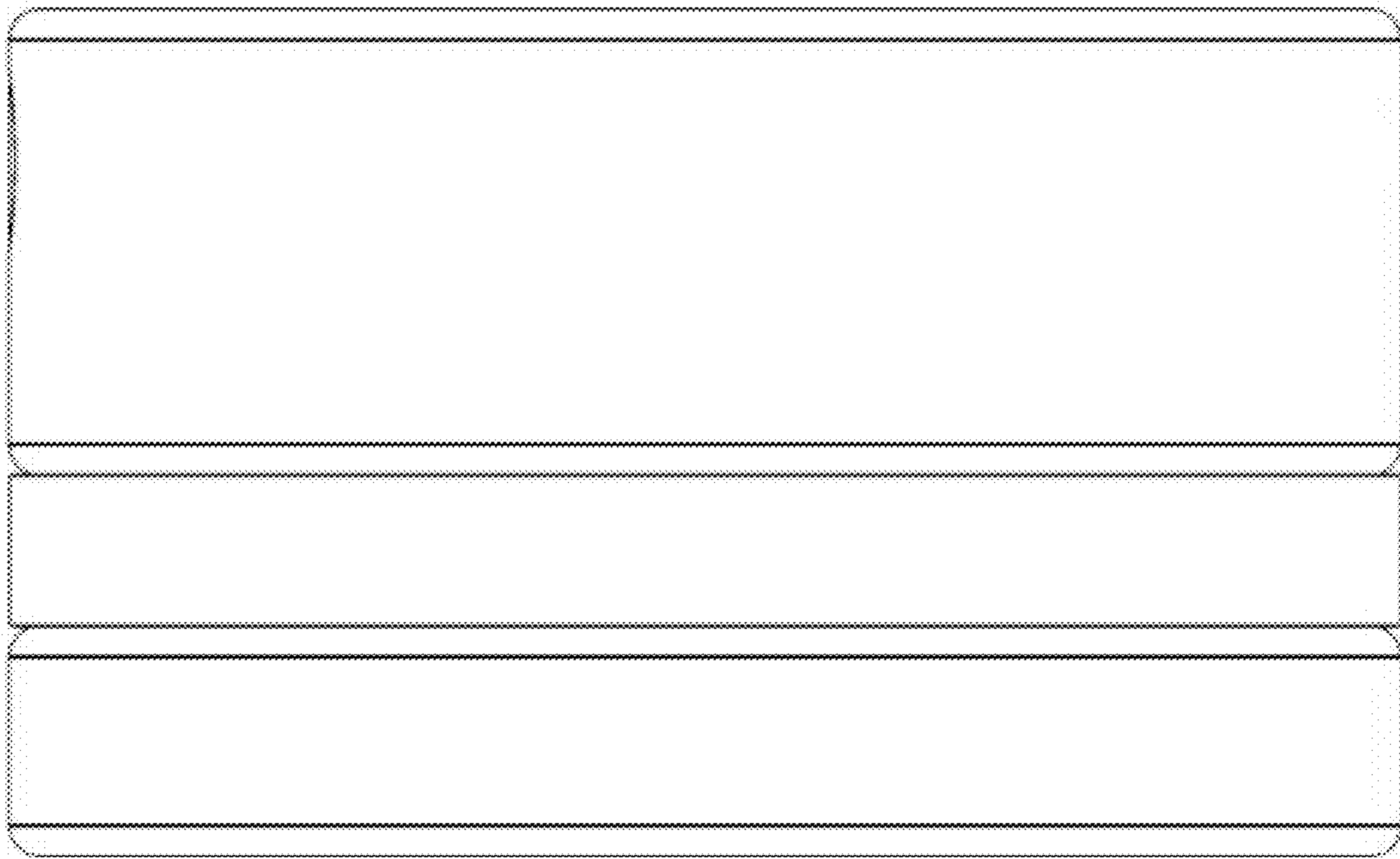
# 1.3



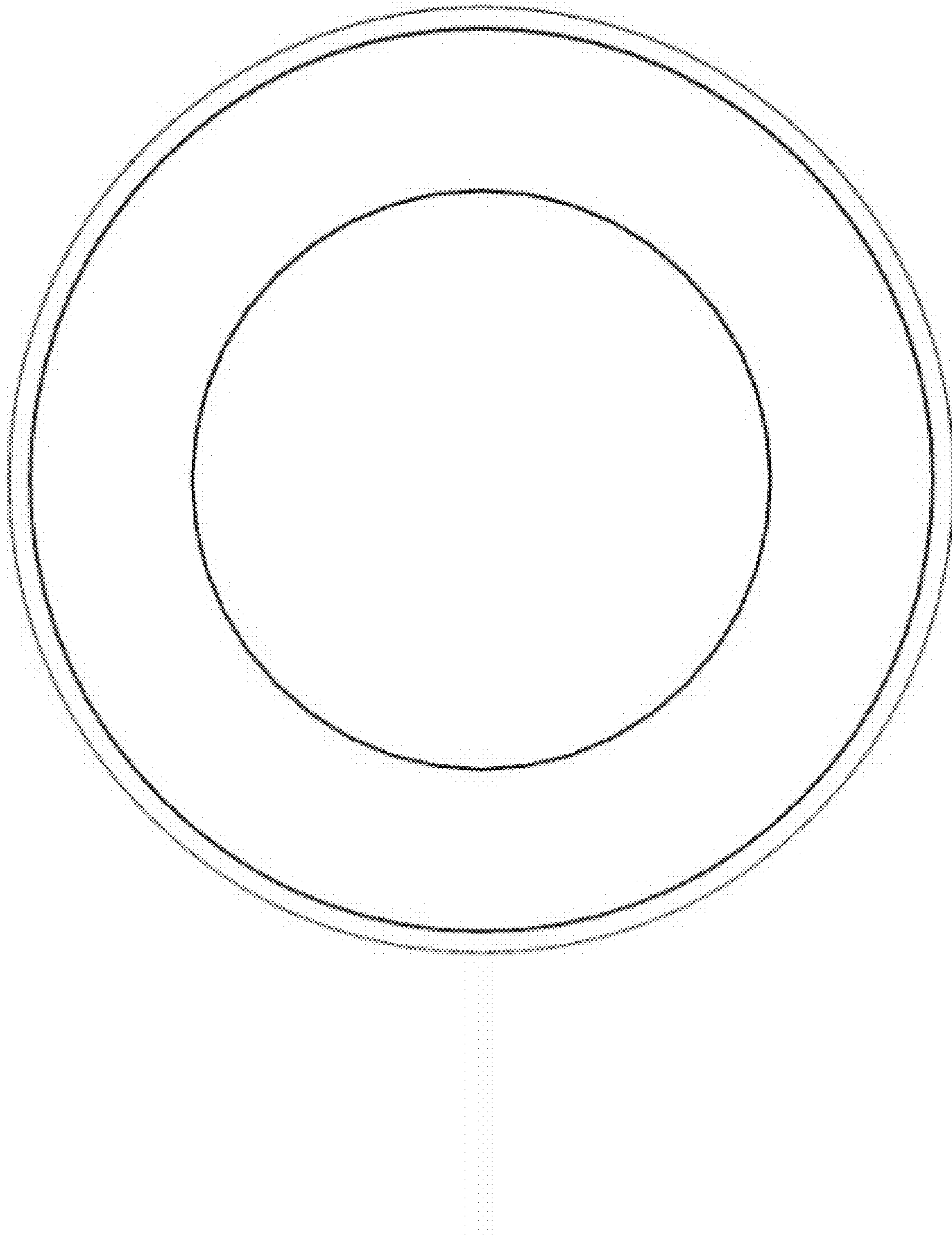
**1.4**



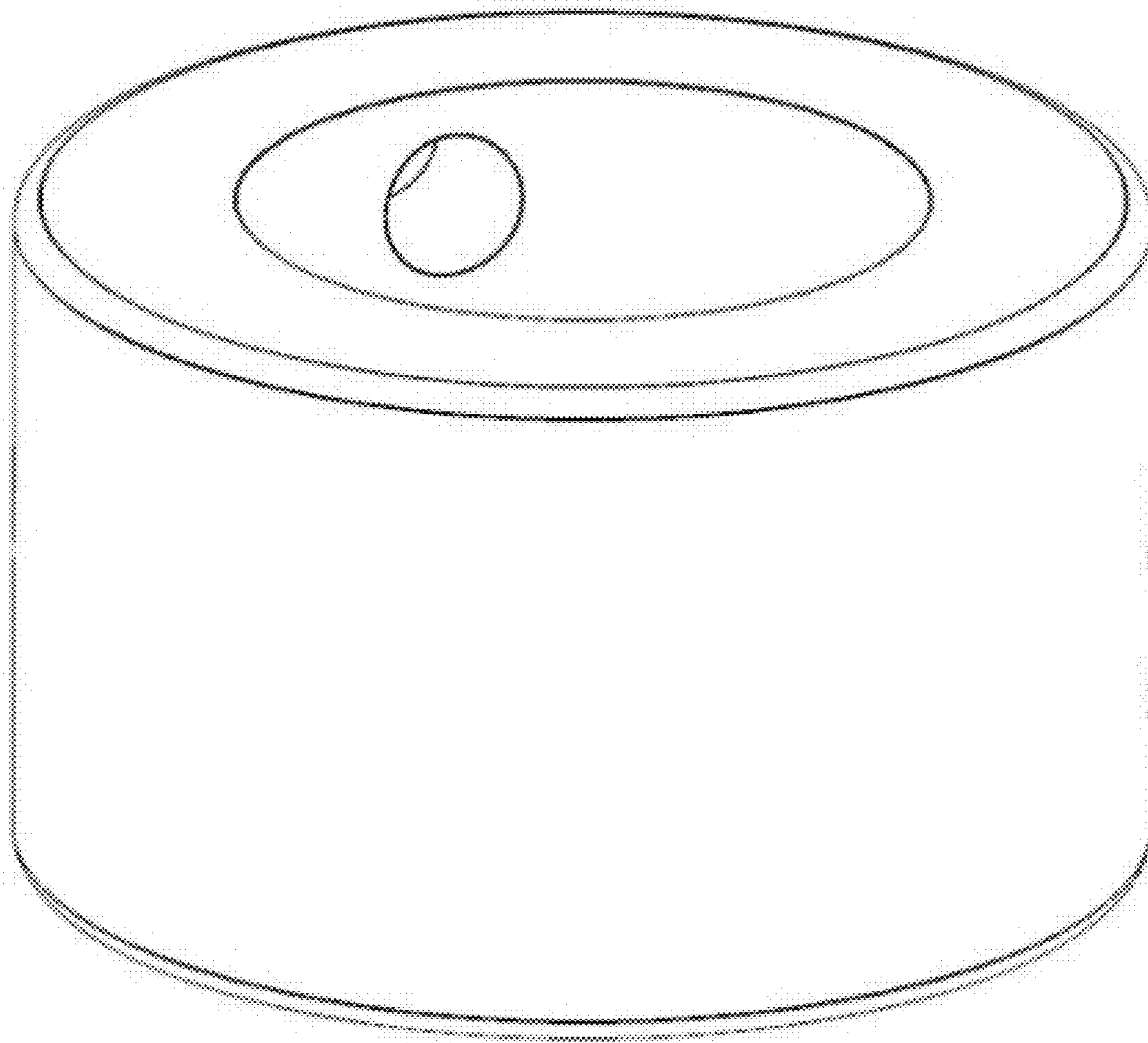
**1.5**



**1.6**

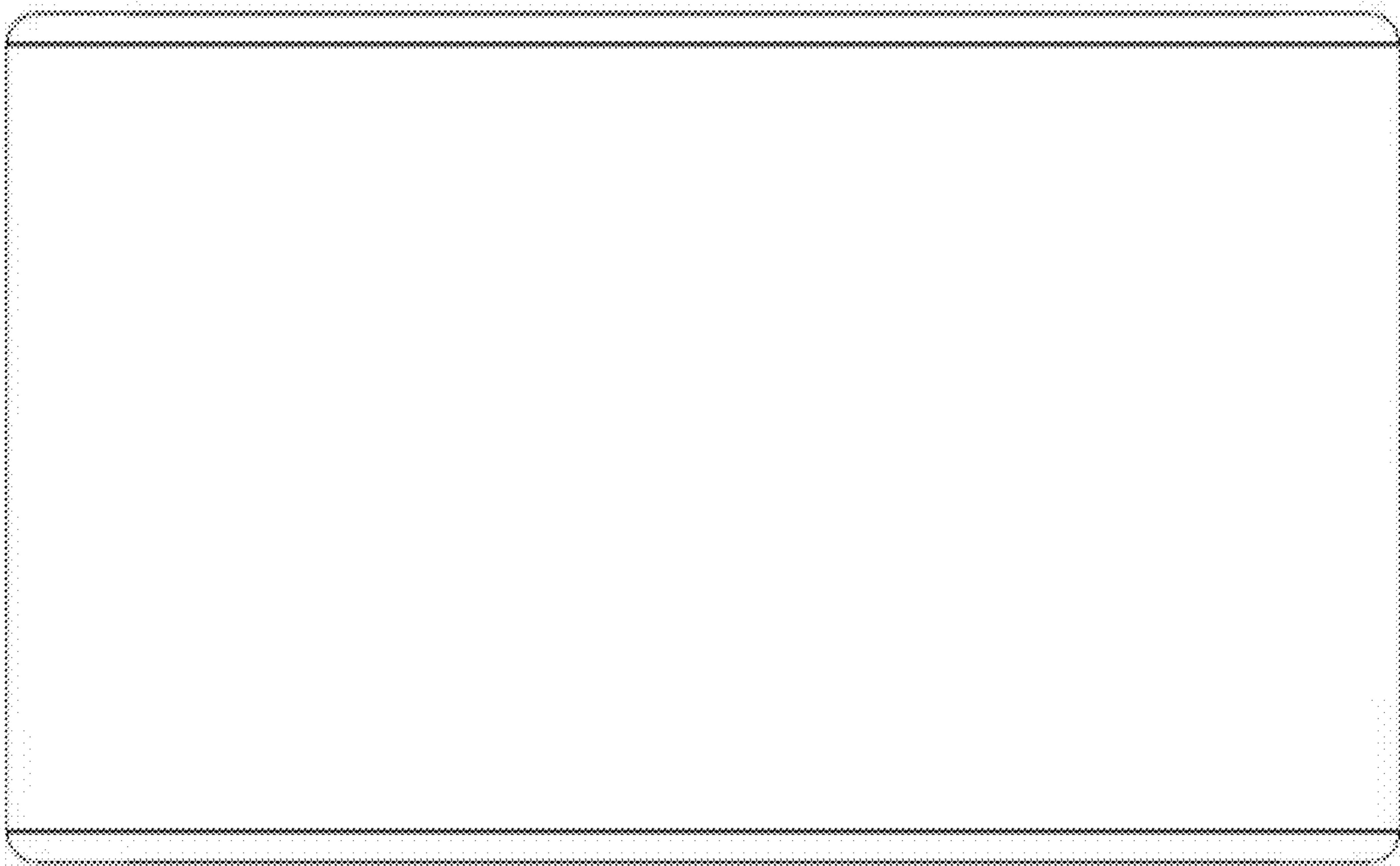


# 2.1

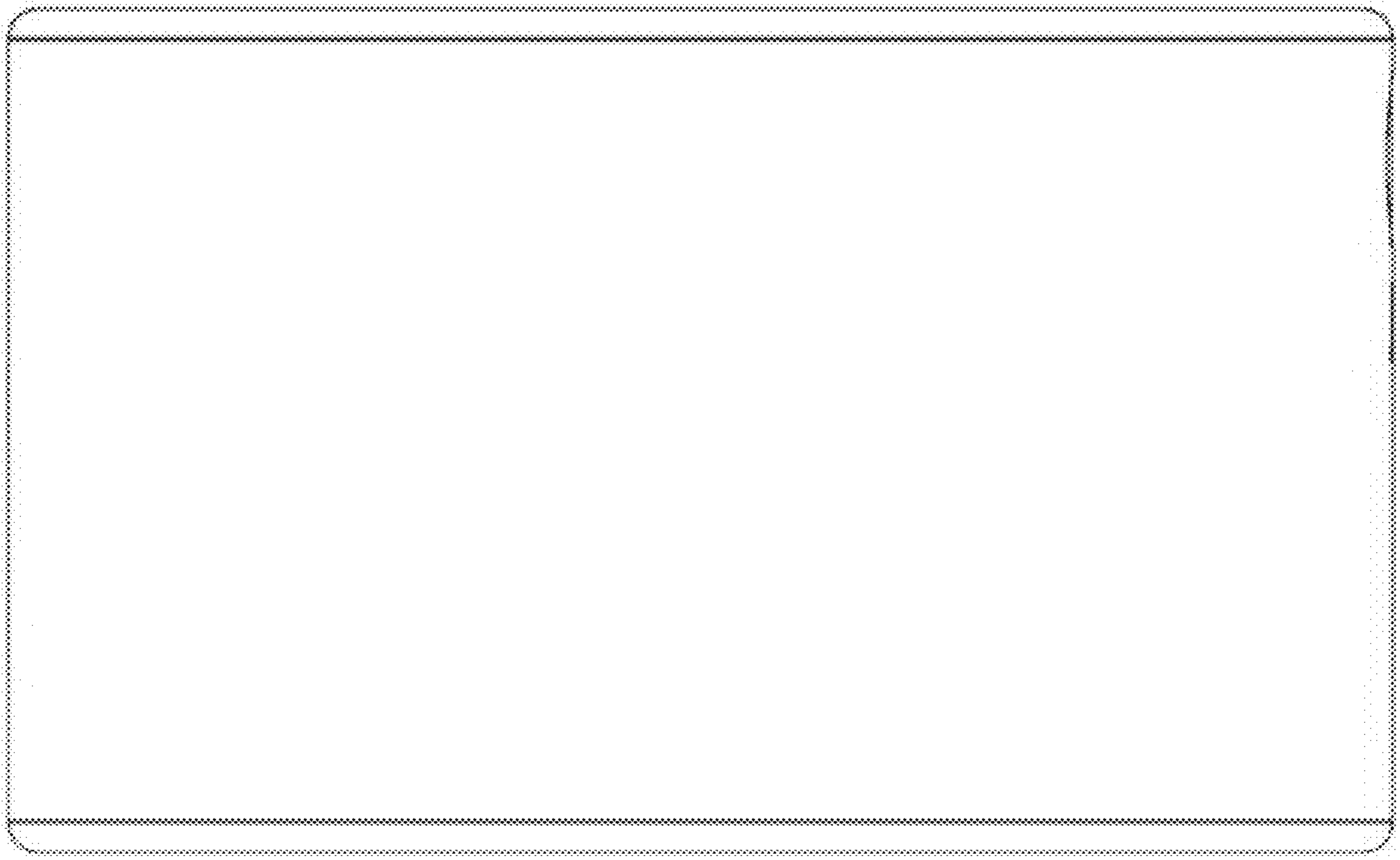




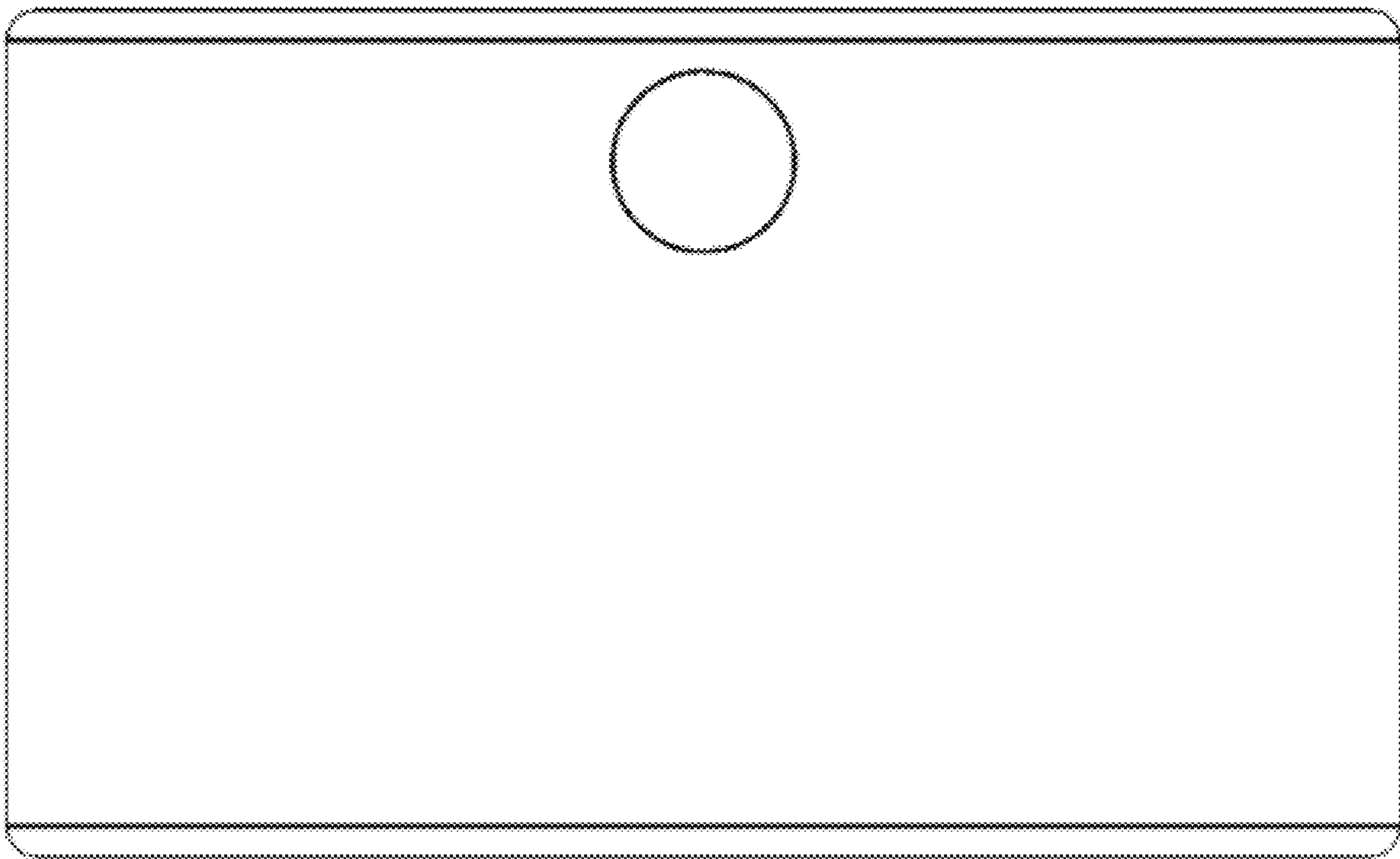
# 2.2



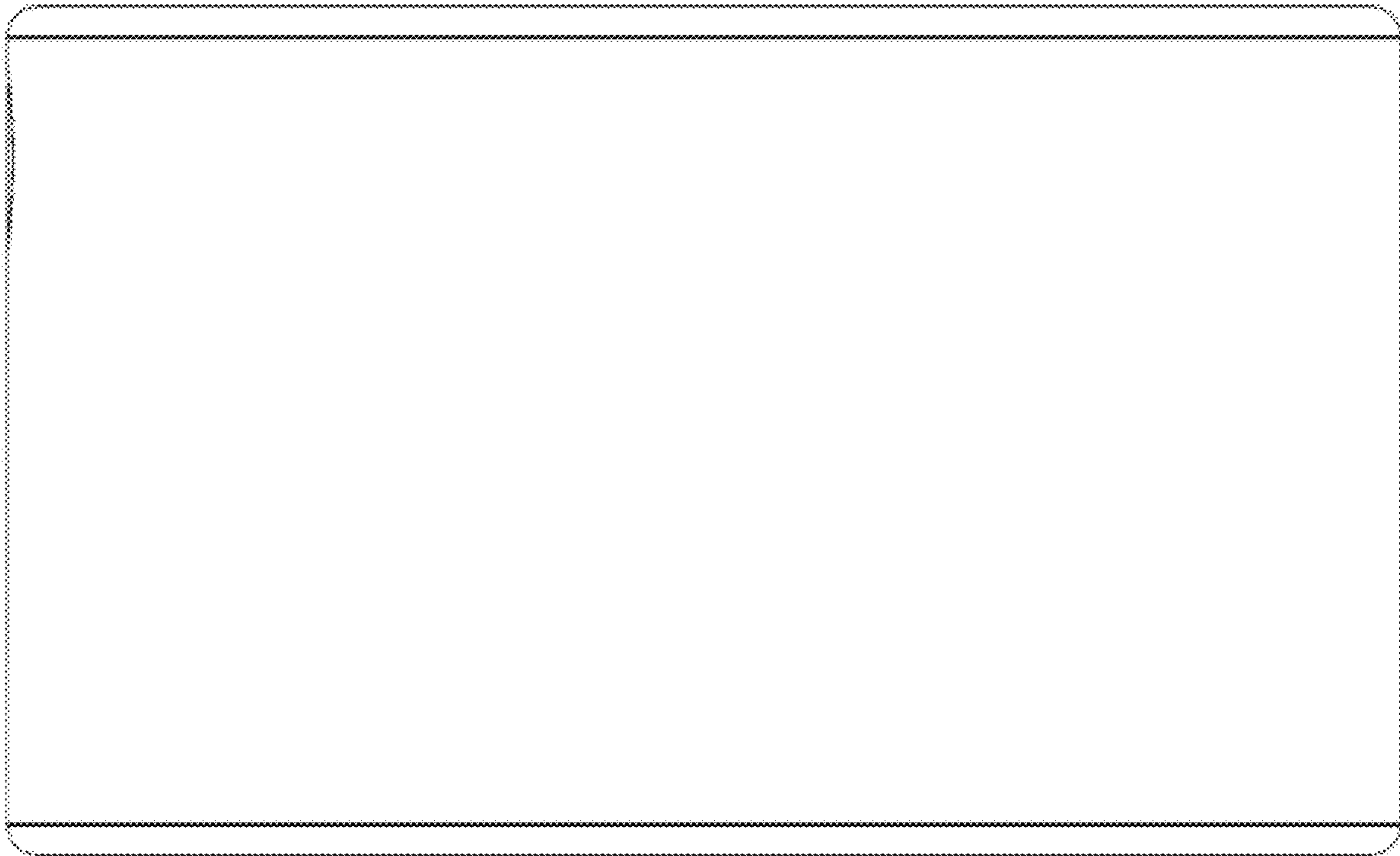
# 2.3



**2.4**



**2.5**



**2.6**

