



US00D878518S

(12) **United States Design Patent**
Erdwiens et al.

(10) **Patent No.:** **US D878,518 S**

(45) **Date of Patent:** **** Mar. 17, 2020**

(54) **WATER PURIFICATION DEVICE**

(71) Applicant: **Hytecon AG**, Lucerne (CH)

(72) Inventors: **Alex Erdwiens**, Frankfurt am Main (DE); **Micha Daniels**, Frankfurt am Main (DE)

(**) Term: **15 Years**

(21) Appl. No.: **35/506,378**

(22) Filed: **Dec. 14, 2018**

(80) **Hague Agreement Data**

Int. Filing Date: **Dec. 14, 2018**

Int. Reg. No.: **DM/200212**

Int. Reg. Date: **Dec. 14, 2018**

Int. Reg. Pub. Date: **Mar. 8, 2019**

(51) **LOC (12) Cl.** **23-01**

(52) **U.S. Cl.**
USPC **D23/209**

(58) **Field of Classification Search**
USPC D23/207, 209, 365
CPC F04B 17/03; F04B 2203/0201; F04B 2203/0203; F04B 2203/0207; F04B 2203/0209; F04B 47/04; F04B 49/06; F04B 49/20

See application file for complete search history.

(56) **References Cited**

U.S. PATENT DOCUMENTS

D831,153 S *	10/2018	Li	D23/207
D840,500 S *	2/2019	Moreau	D23/207
D841,774 S *	2/2019	Ghoshal	D23/207
D841,775 S *	2/2019	Ghoshal	D23/207
D842,428 S *	3/2019	Choi	D23/207
D842,966 S *	3/2019	Shin	D23/207
D843,548 S *	3/2019	Hsu	D23/207
D844,101 S *	3/2019	Zheng	D23/207
D848,572 S *	5/2019	Yasuoka	D23/207
D855,151 S *	7/2019	Joo	D23/207

* cited by examiner

Primary Examiner — Khawaja Anwar

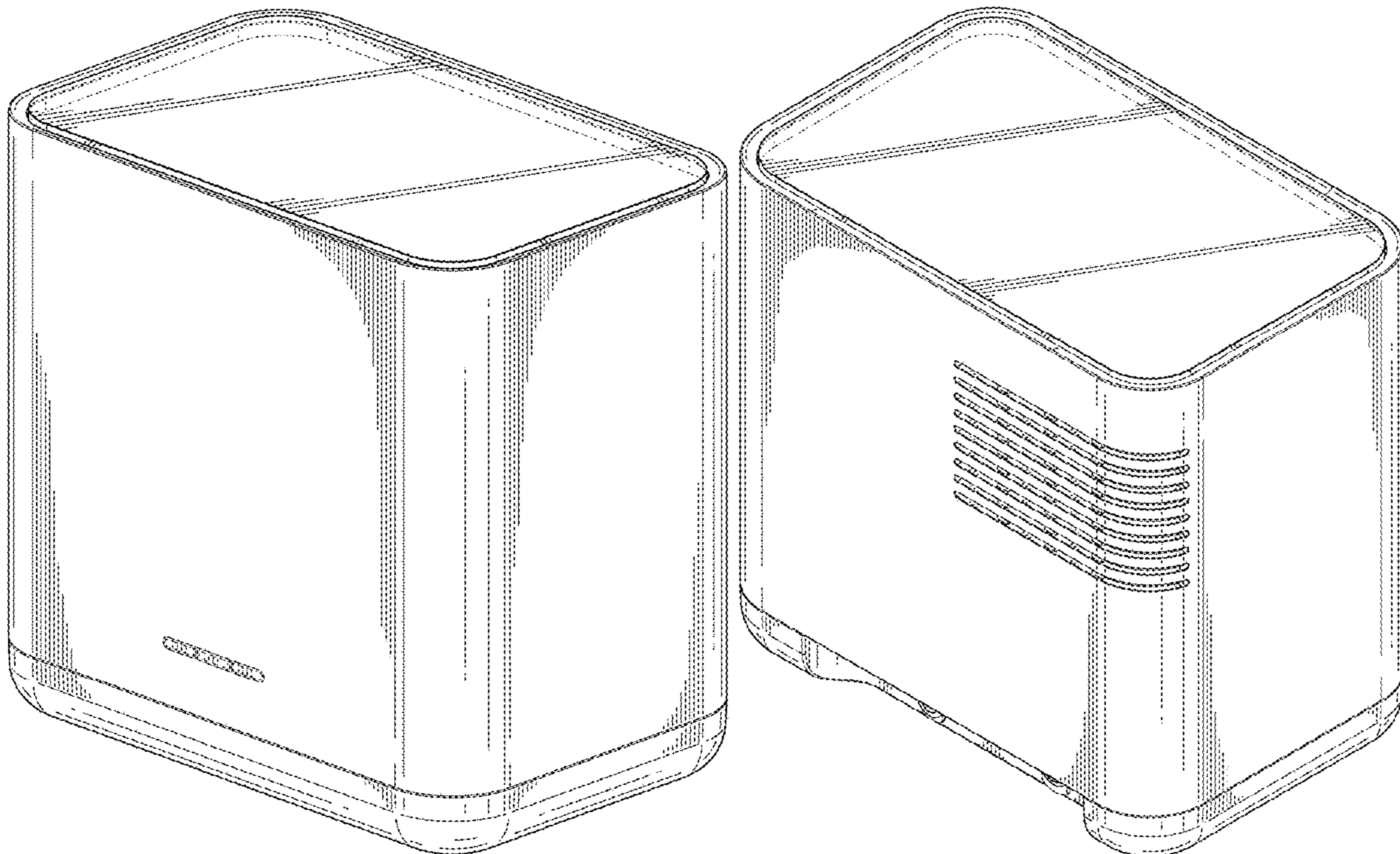
(57) **CLAIM**

The ornamental design for water purification device, as shown and described.

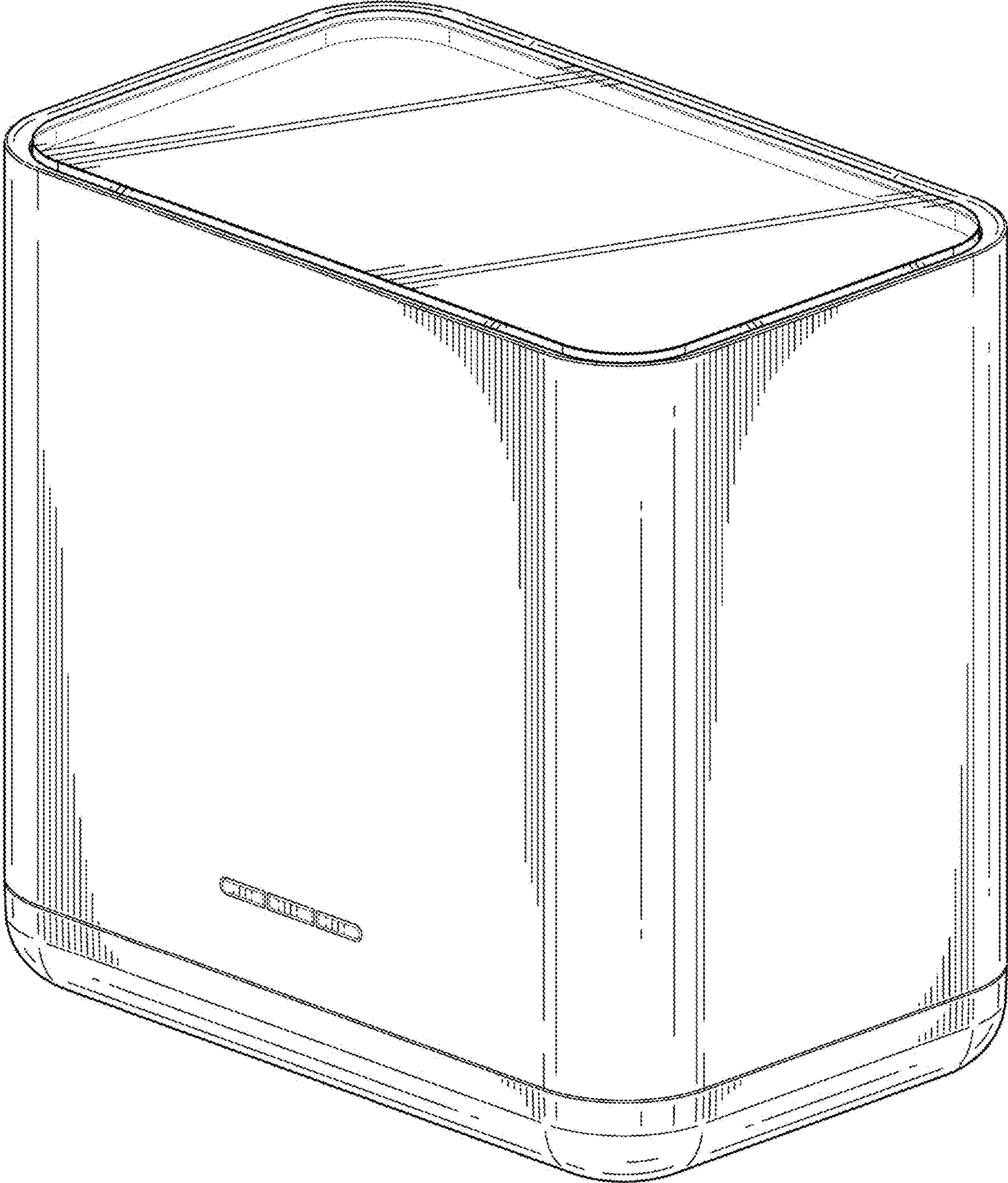
DESCRIPTION

1. Water purification device
FIG. 1.1 is a perspective view of a water purification device, showing my new design;
FIG. 1.2 is another perspective view thereof;
FIG. 1.3 is a front view thereof;
FIG. 1.4 is a rear view thereof;
FIG. 1.5 is side elevation view thereof;
FIG. 1.6 is another side view thereof;
FIG. 1.7 is a top plan view thereof; and
FIG. 1.8 is a bottom plan view thereof.

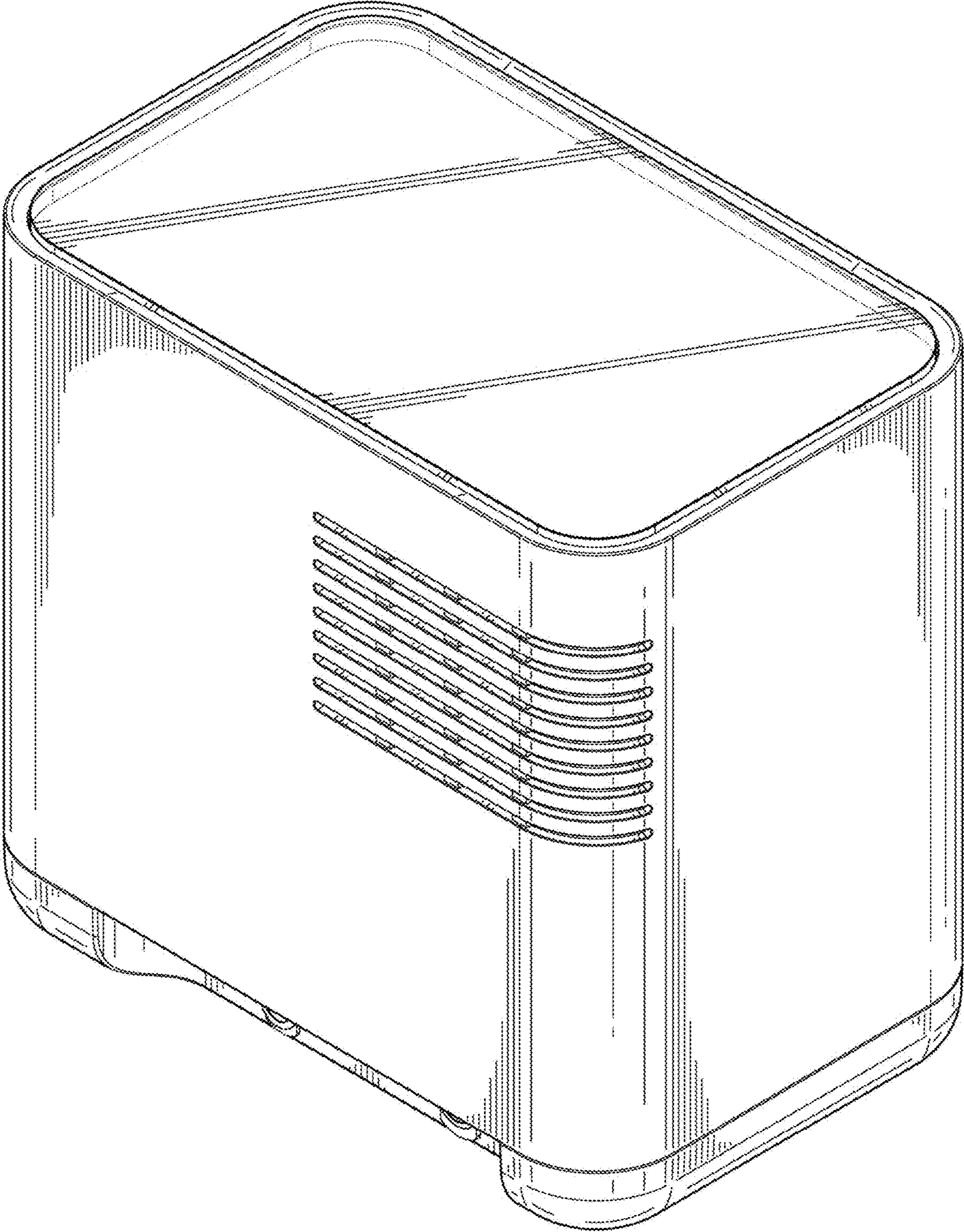
1 Claim, 8 Drawing Sheets



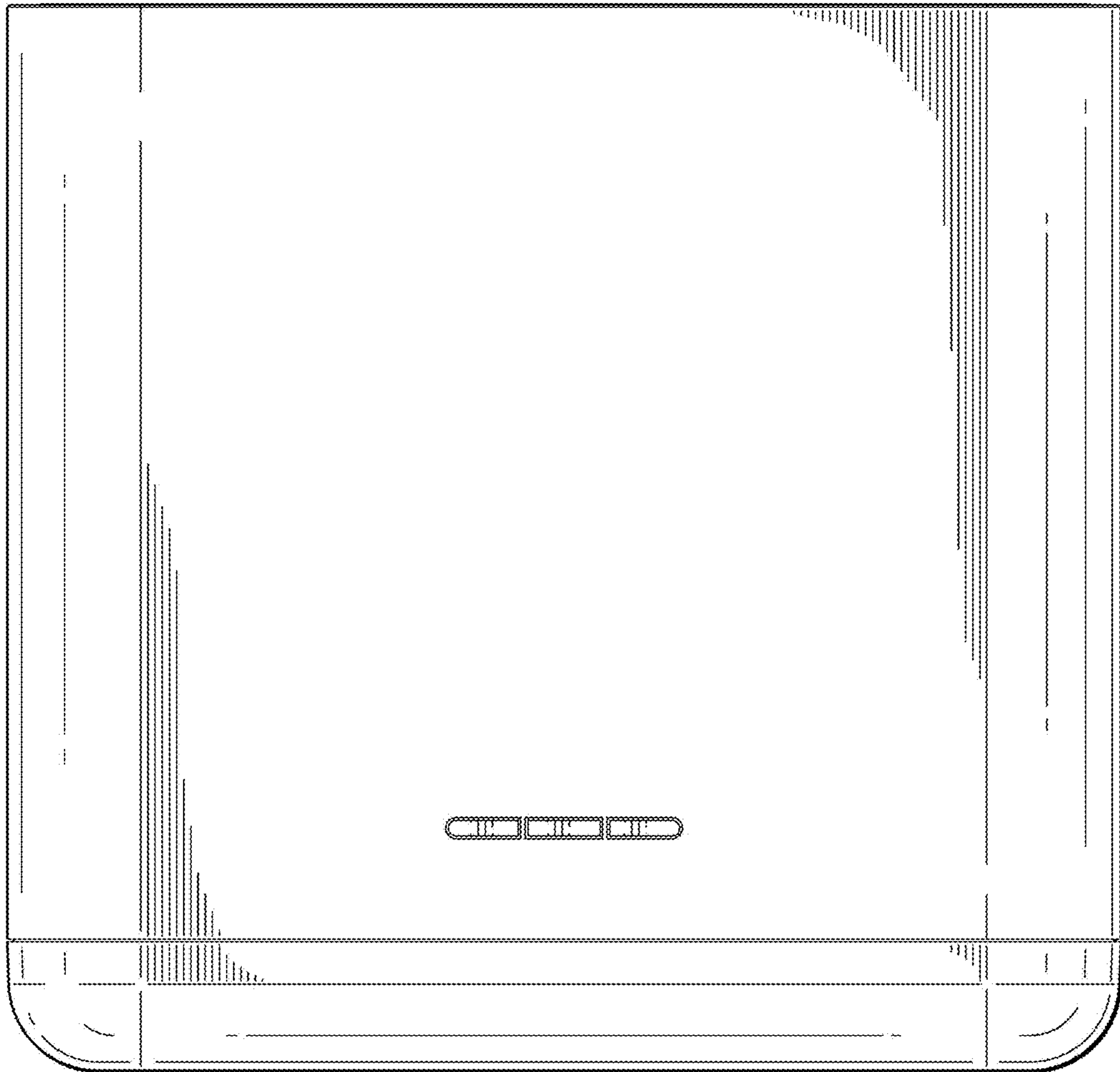
1.1



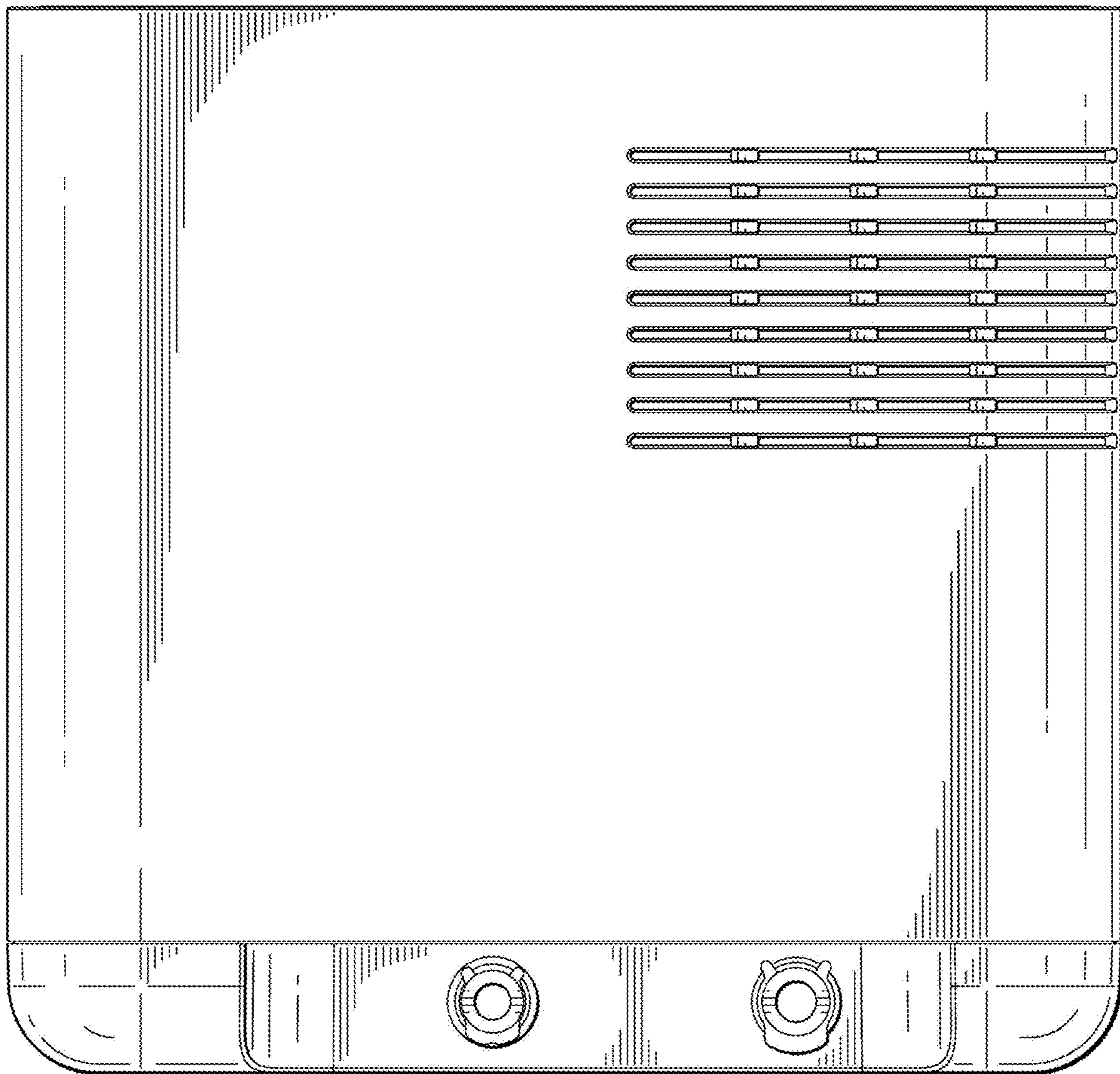
1.2



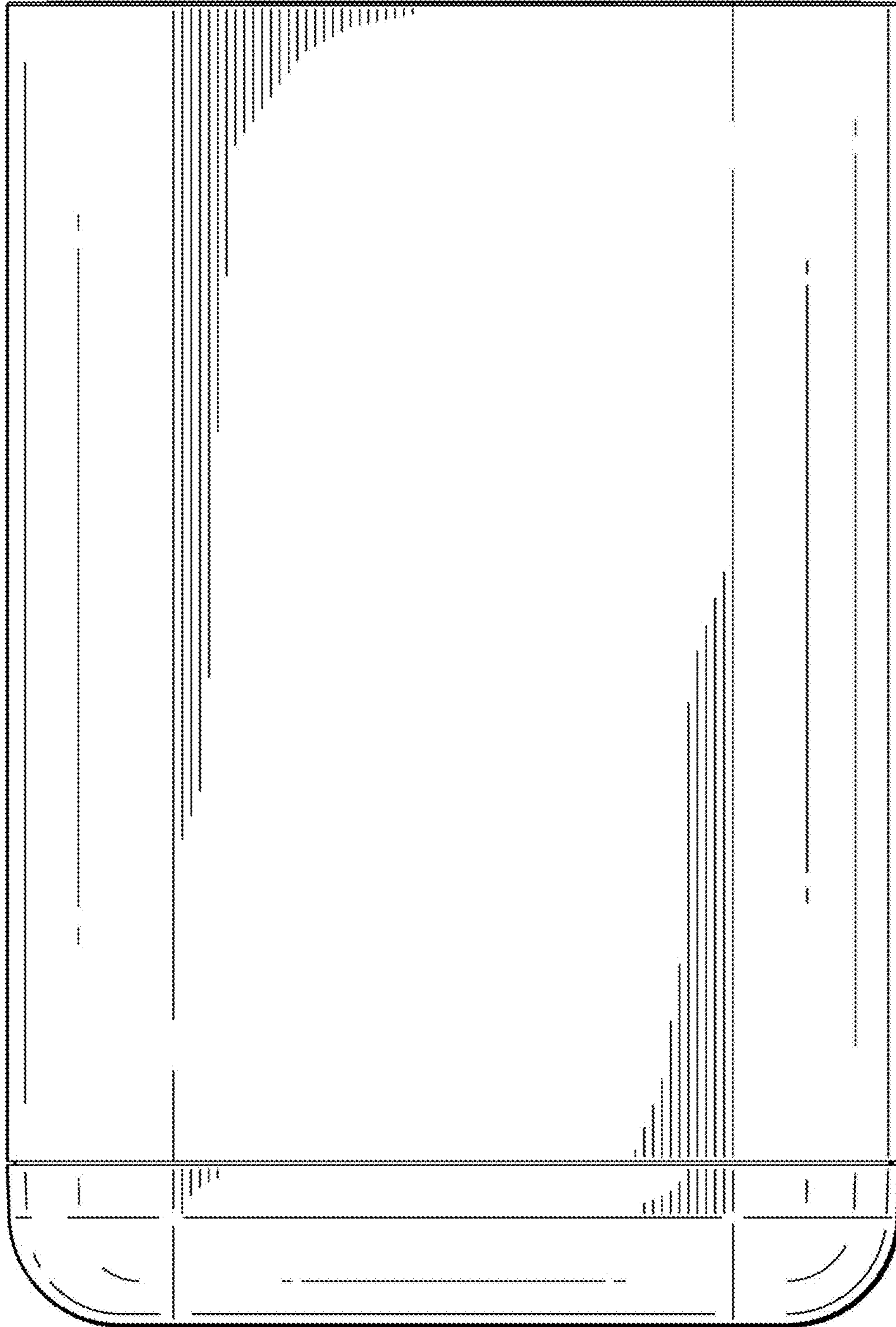
1.3



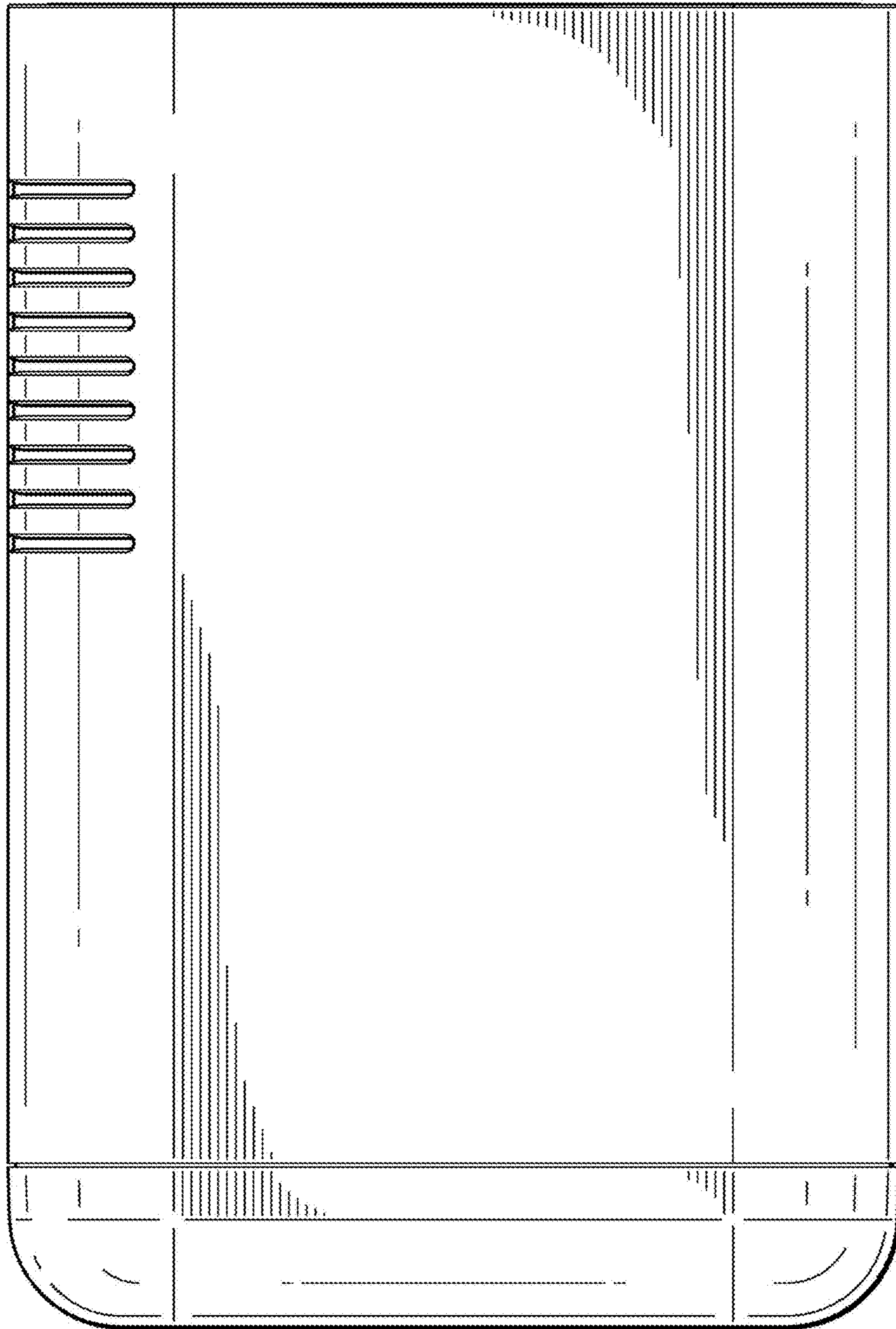
1.4



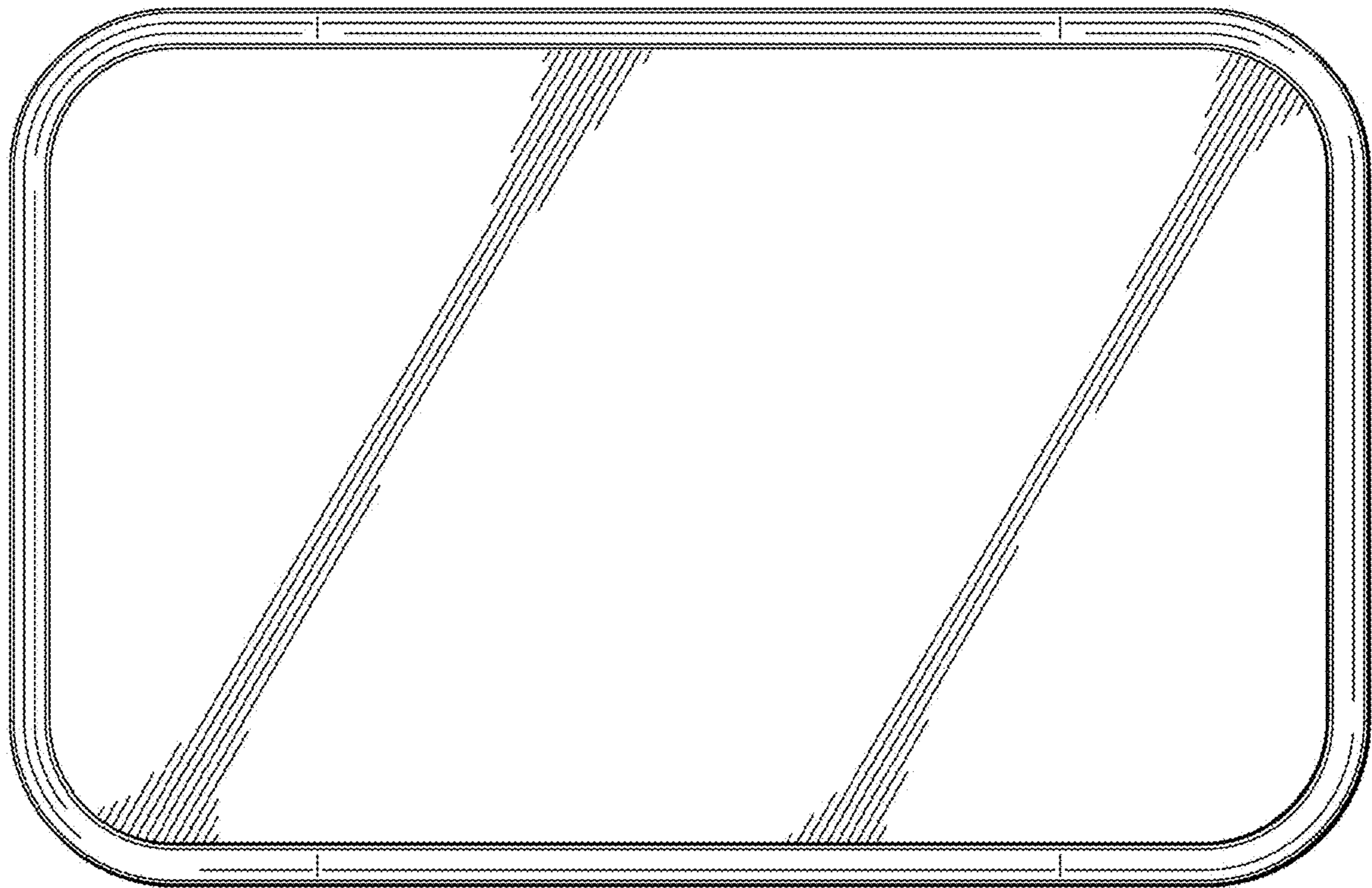
1.5



1.6



1.7



1.8

