



US00D878516S

(12) **United States Design Patent**
Pathan et al.

(10) **Patent No.:** **US D878,516 S**
(45) **Date of Patent:** **** Mar. 17, 2020**

(54) **FILTER**

(71) Applicant: **Adey Holdings (2008) Limited**,
Cheltenham (GB)

(72) Inventors: **Kashem Pathan**, Cheltenham (GB);
Simon Downie, Cheltenham (GB)

(73) Assignee: **Adey Holdings (2008) Limited**,
Cheltenham (GB)

(**) Term: **15 Years**

(21) Appl. No.: **29/639,737**

(22) Filed: **Mar. 8, 2018**

(30) **Foreign Application Priority Data**

Sep. 8, 2017 (GB) 6018243

(51) **LOC (12) Cl.** **23-01**

(52) **U.S. Cl.**
USPC **D23/209**

(58) **Field of Classification Search**
USPC D23/200, 207, 209, 260, 261, 262;
D7/412, 414; D8/499; D32/35; 4/287,
4/295, 689; 210/223, 512.1
CPC B01D 35/30; B01D 35/153; B01D 35/306;
B01D 2201/30; B01D 2201/29; B01D
24/10; B01D 36/02; B01D 29/035; B01D
29/0009; C02F 1/002; C02F 1/003
See application file for complete search history.

(56) **References Cited**

U.S. PATENT DOCUMENTS

D547,824 S * 7/2007 Brown D23/209
D591,825 S * 5/2009 Quintel D23/209
D622,347 S * 8/2010 Adey D23/207

D644,713 S * 9/2011 Walton D23/209
D681,159 S * 4/2013 Ben-Horin D23/209
D796,000 S * 8/2017 Downie D23/209
D802,712 S * 11/2017 Downie D23/209
D852,321 S * 6/2019 Downie D23/209
D852,322 S * 6/2019 Downie D23/209
2007/0251876 A1 * 11/2007 Krogue B01D 39/163
210/323.2
2015/0129491 A1 * 5/2015 Adey B01D 21/0009
210/512.1
2015/0151220 A1 * 6/2015 Adey B03C 1/286
210/512.1
2017/0043354 A1 * 2/2017 Adey B01D 21/0009
2018/0111129 A1 * 4/2018 Adey B03C 1/288

OTHER PUBLICATIONS

MagnaClean Professional3 Sense® Filter [Jul. 27, 2019] found
online [Jul. 27, 2019]—<https://www.adey.com/category/filters>.*

* cited by examiner

Primary Examiner — Michael C Stout

Assistant Examiner — John A Voytek

(74) *Attorney, Agent, or Firm* — Jacob M. Ward; Ward
Law Office LLC

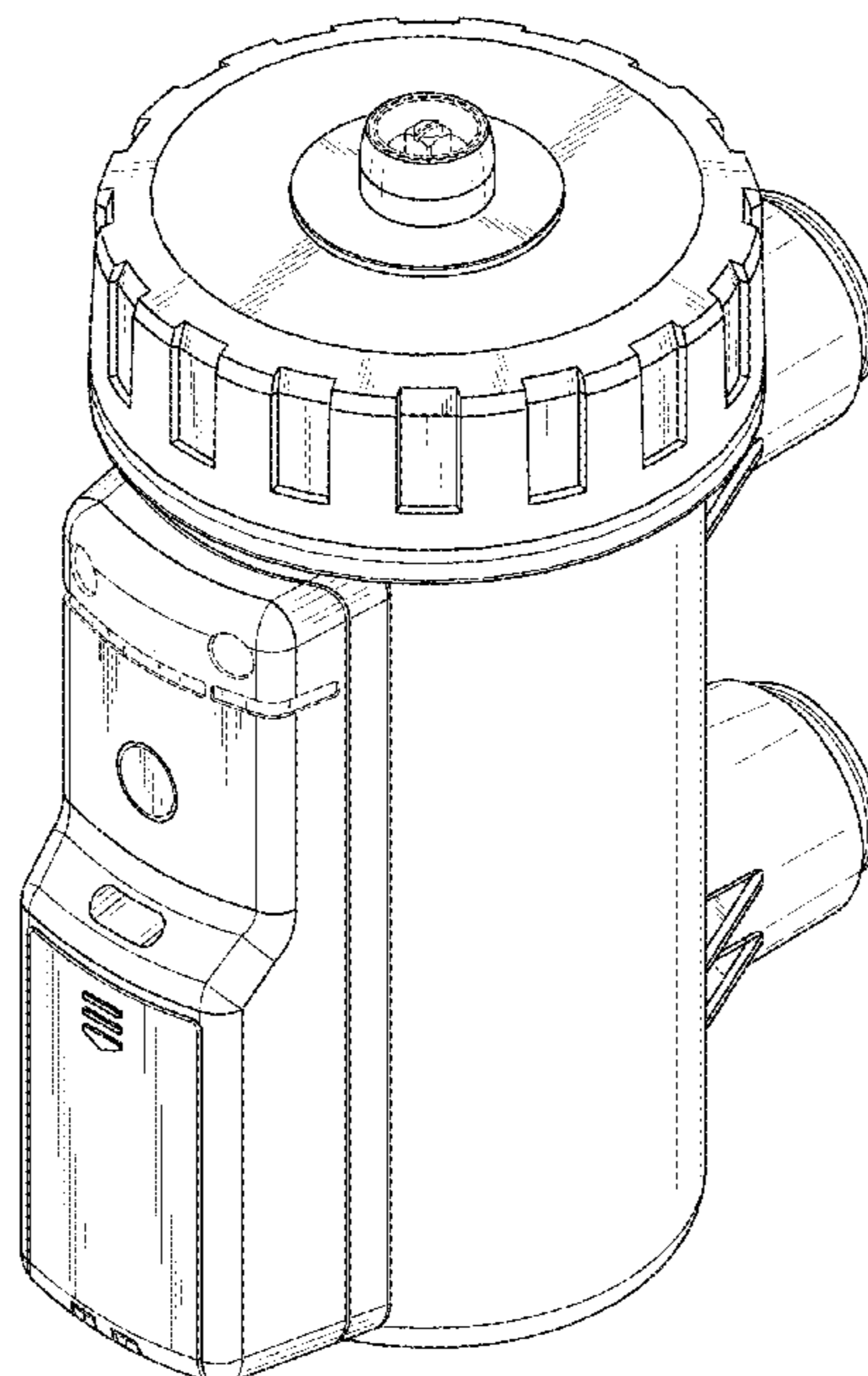
(57) **CLAIM**

The ornamental design for a filter, as shown and described.

DESCRIPTION

FIG. 1 is a top perspective view of a filter;
FIG. 2 is a top plan view of the filter shown in FIG. 1;
FIG. 3 is a bottom plan view thereof;
FIG. 4 is a front elevational view thereof;
FIG. 5 is a rear elevational view thereof;
FIG. 6 is a left side elevational view thereof; and,
FIG. 7 is a right side elevational view thereof.

1 Claim, 7 Drawing Sheets



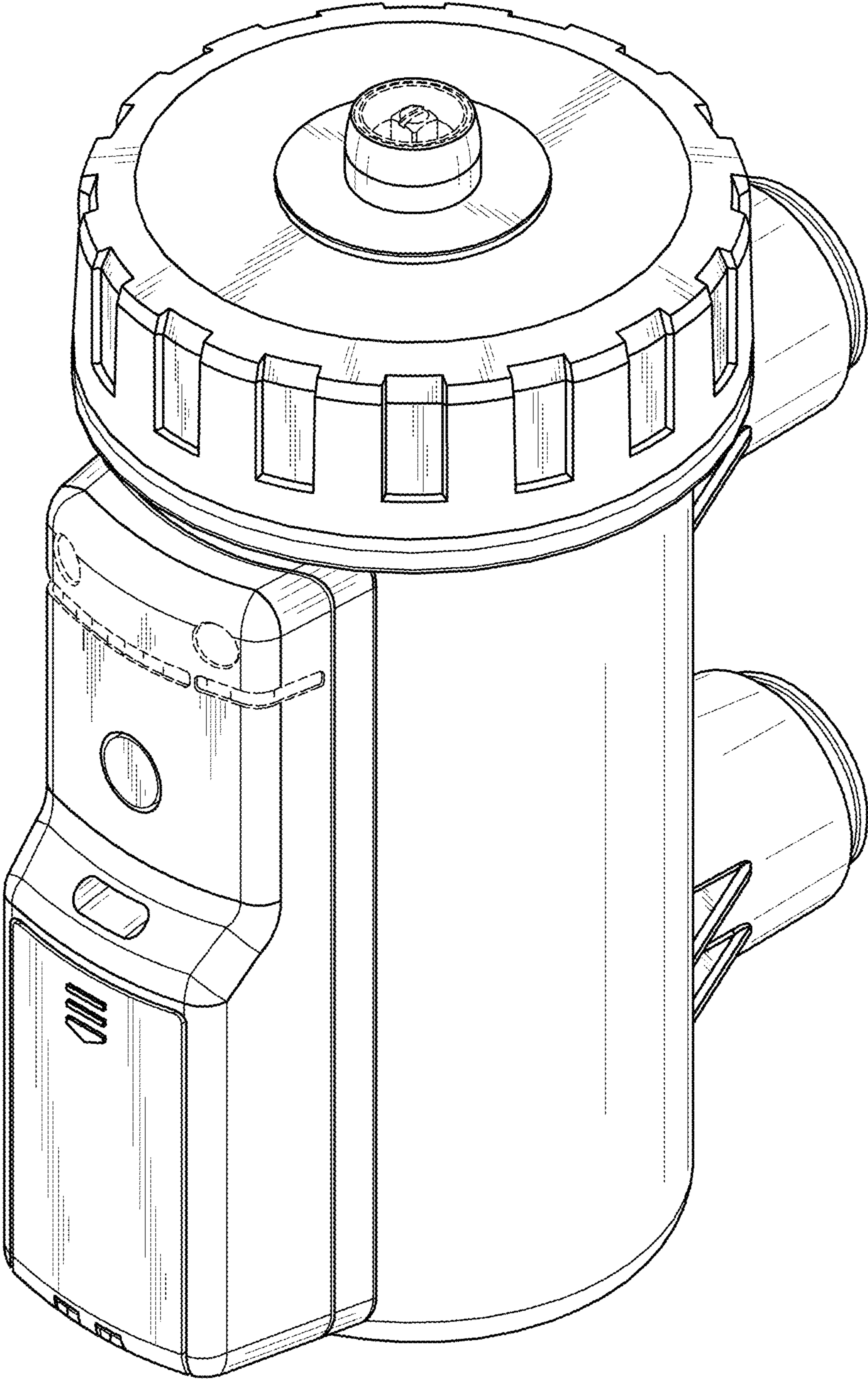


FIG. 1

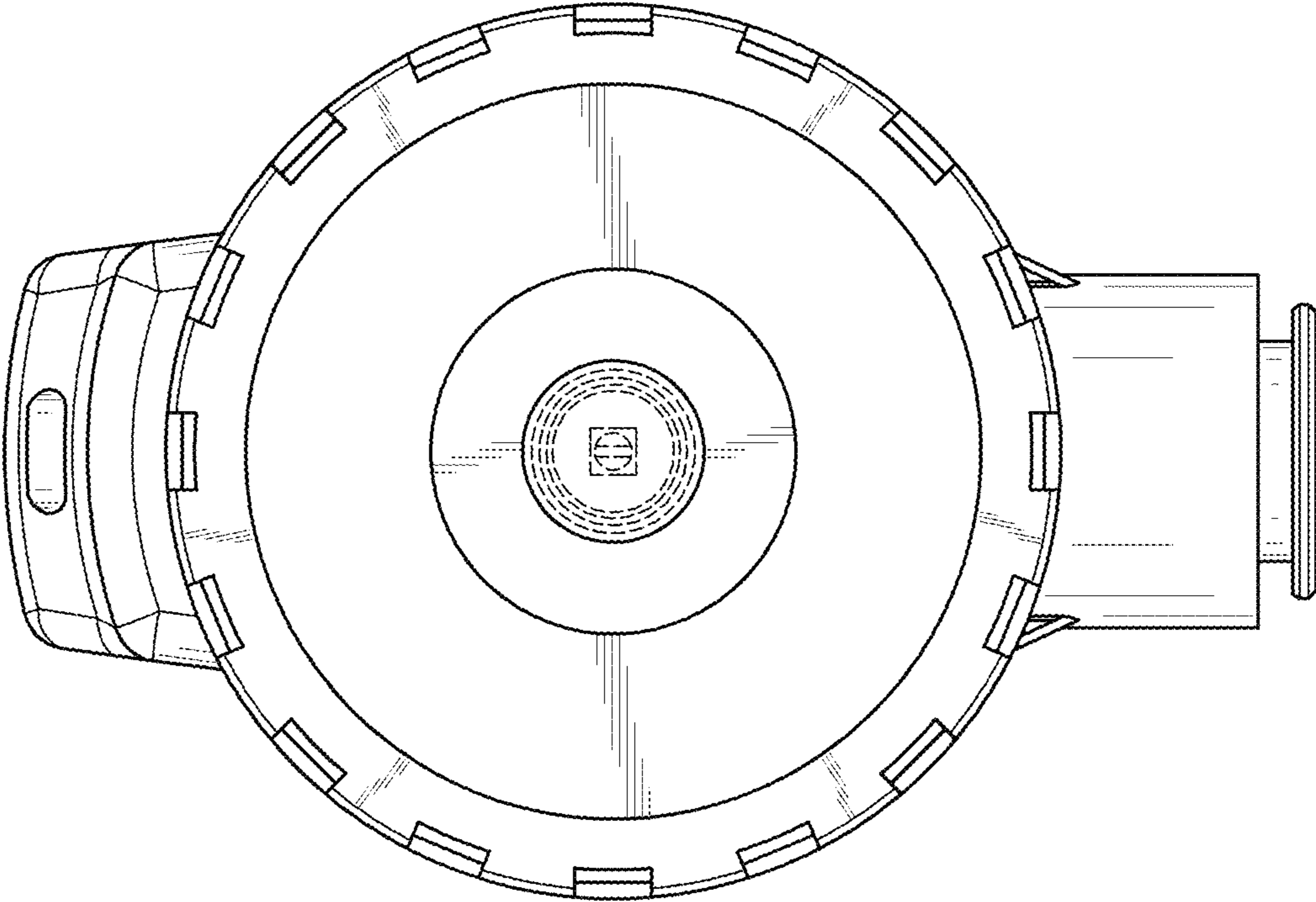


FIG. 2

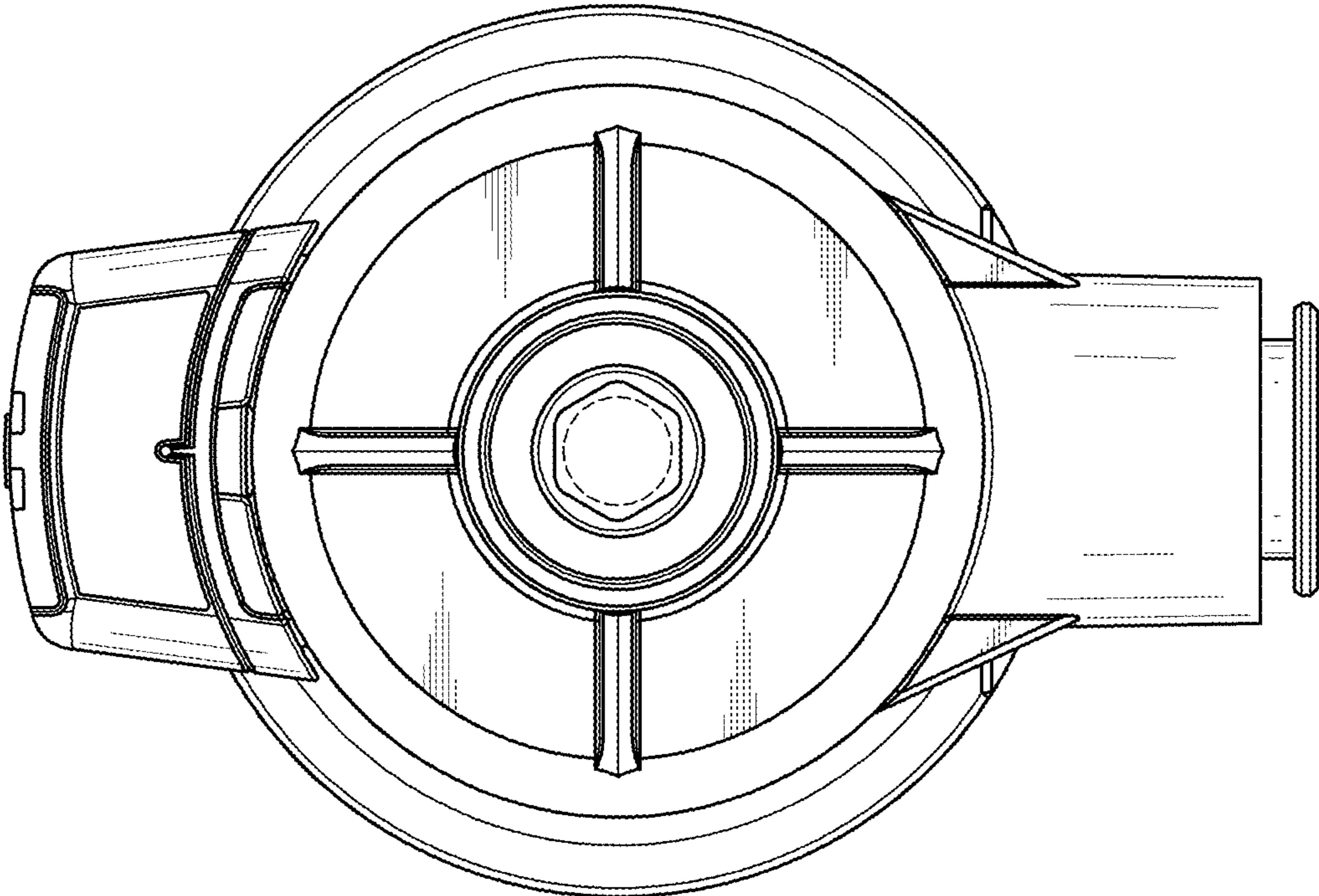


FIG. 3

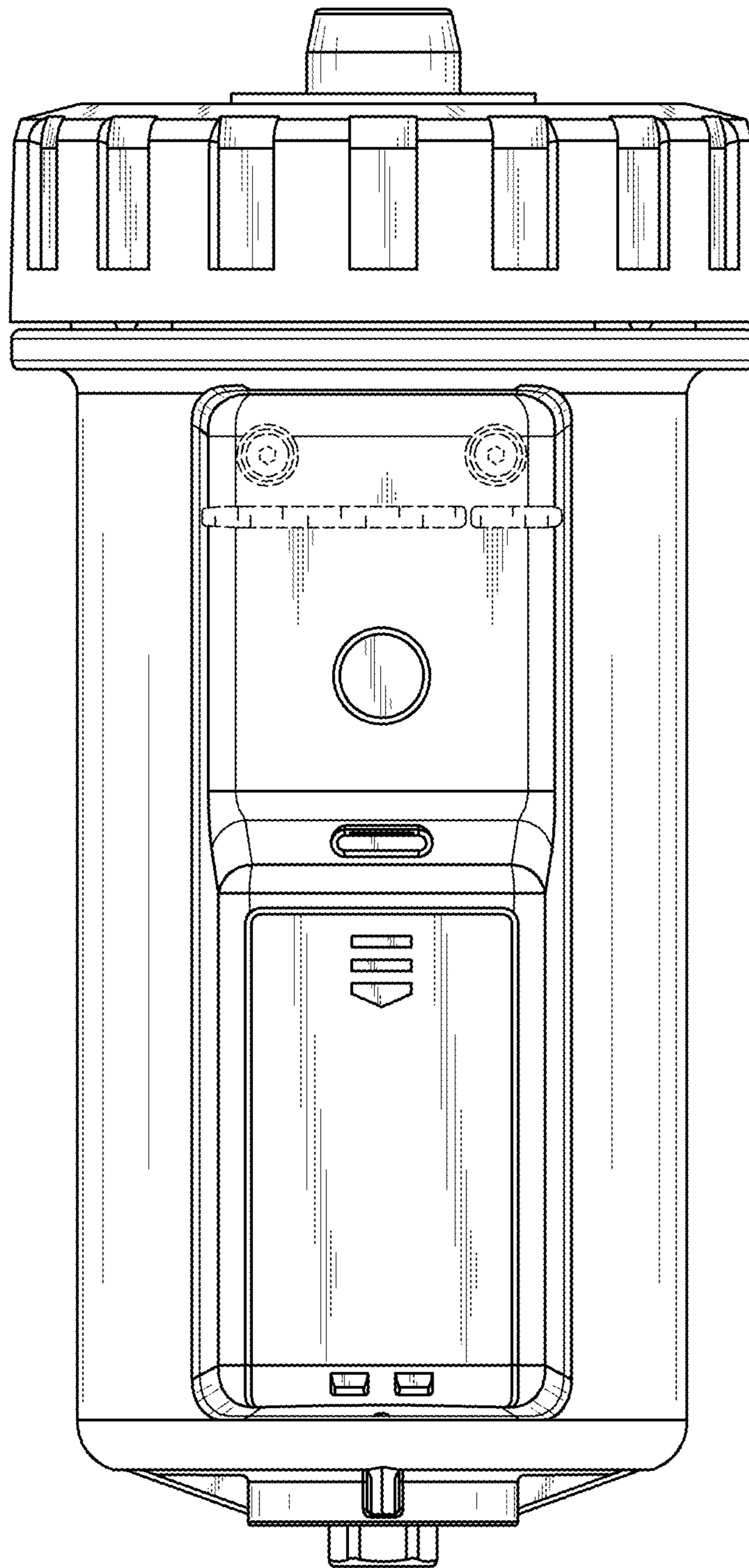


FIG. 4

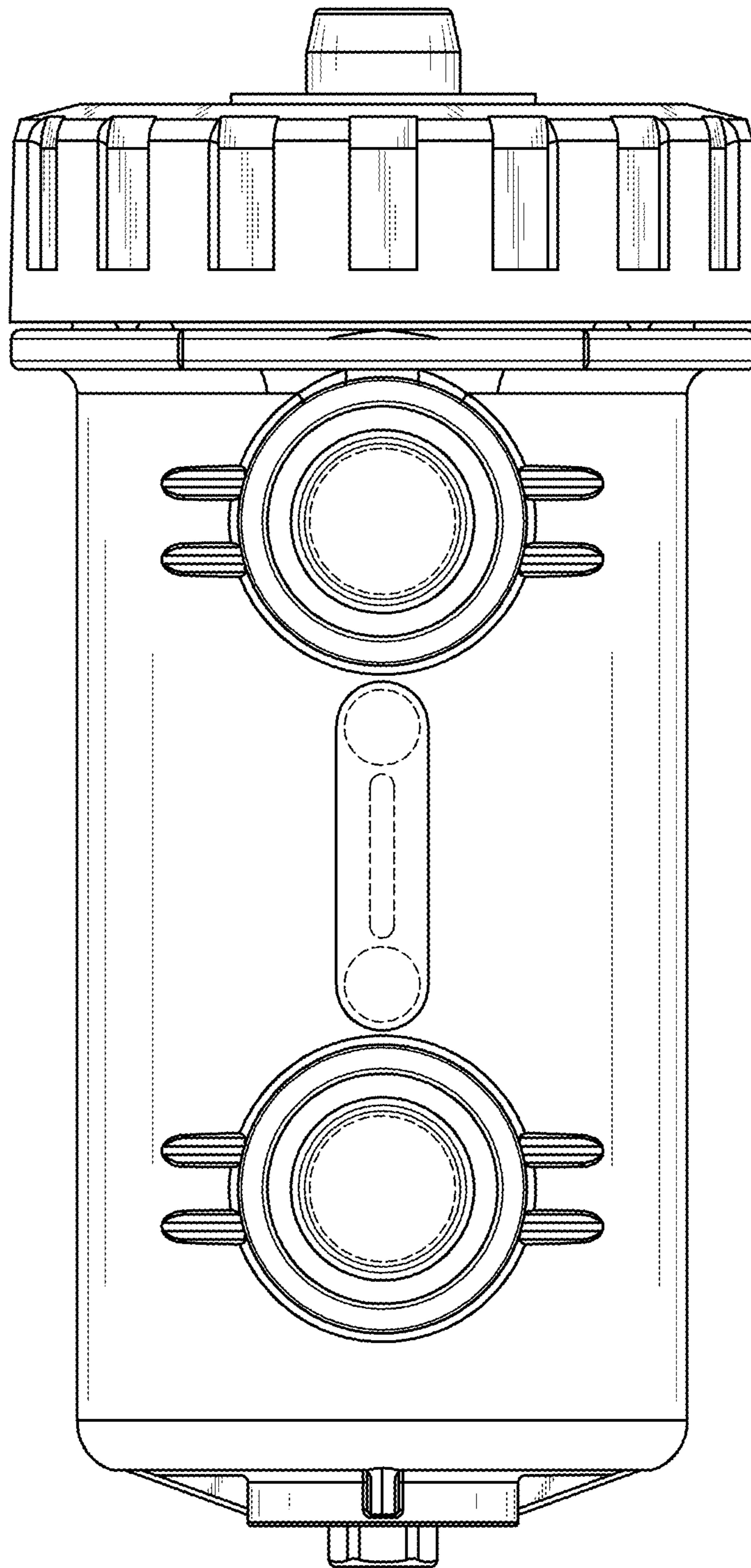


FIG. 5

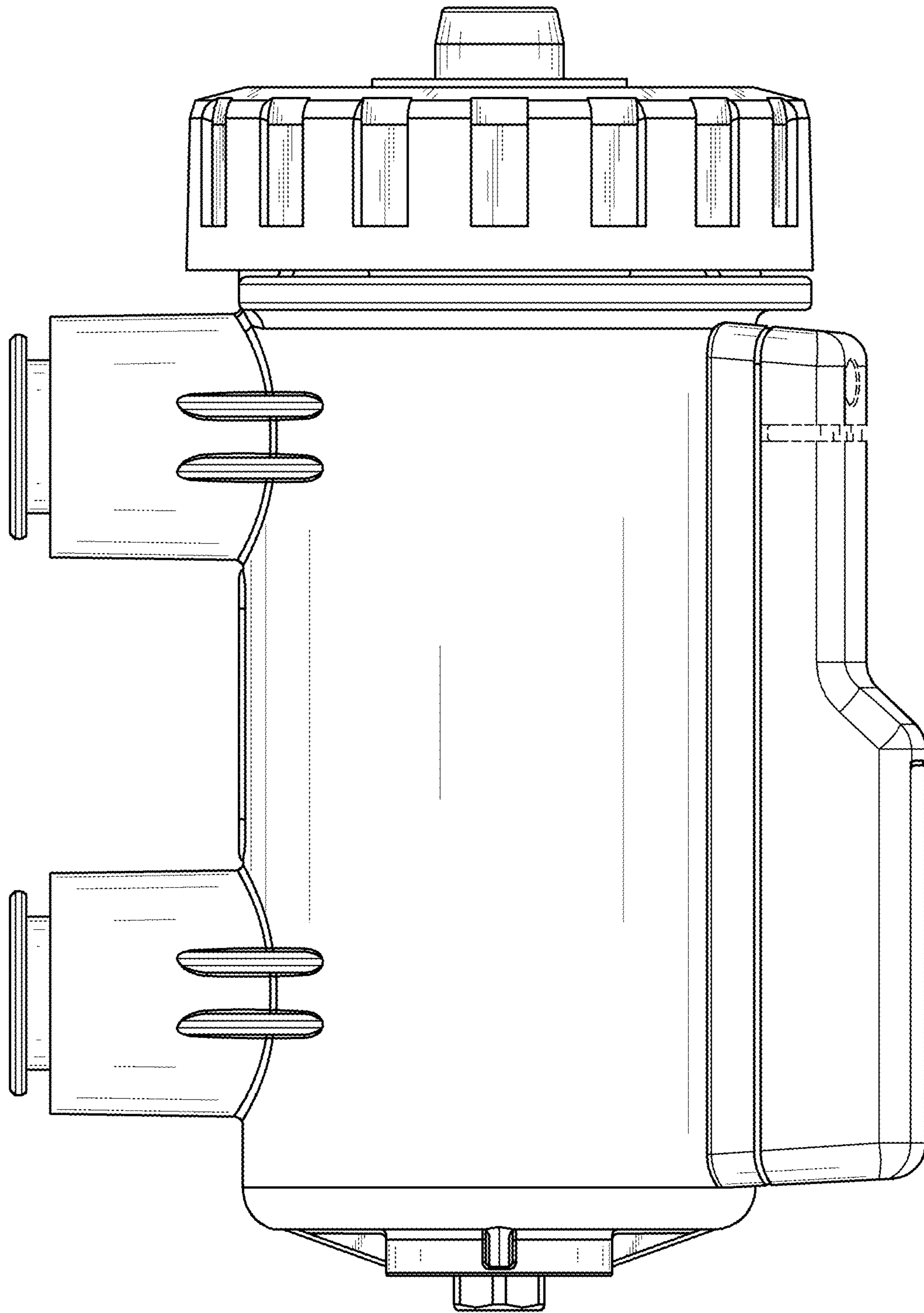


FIG. 6

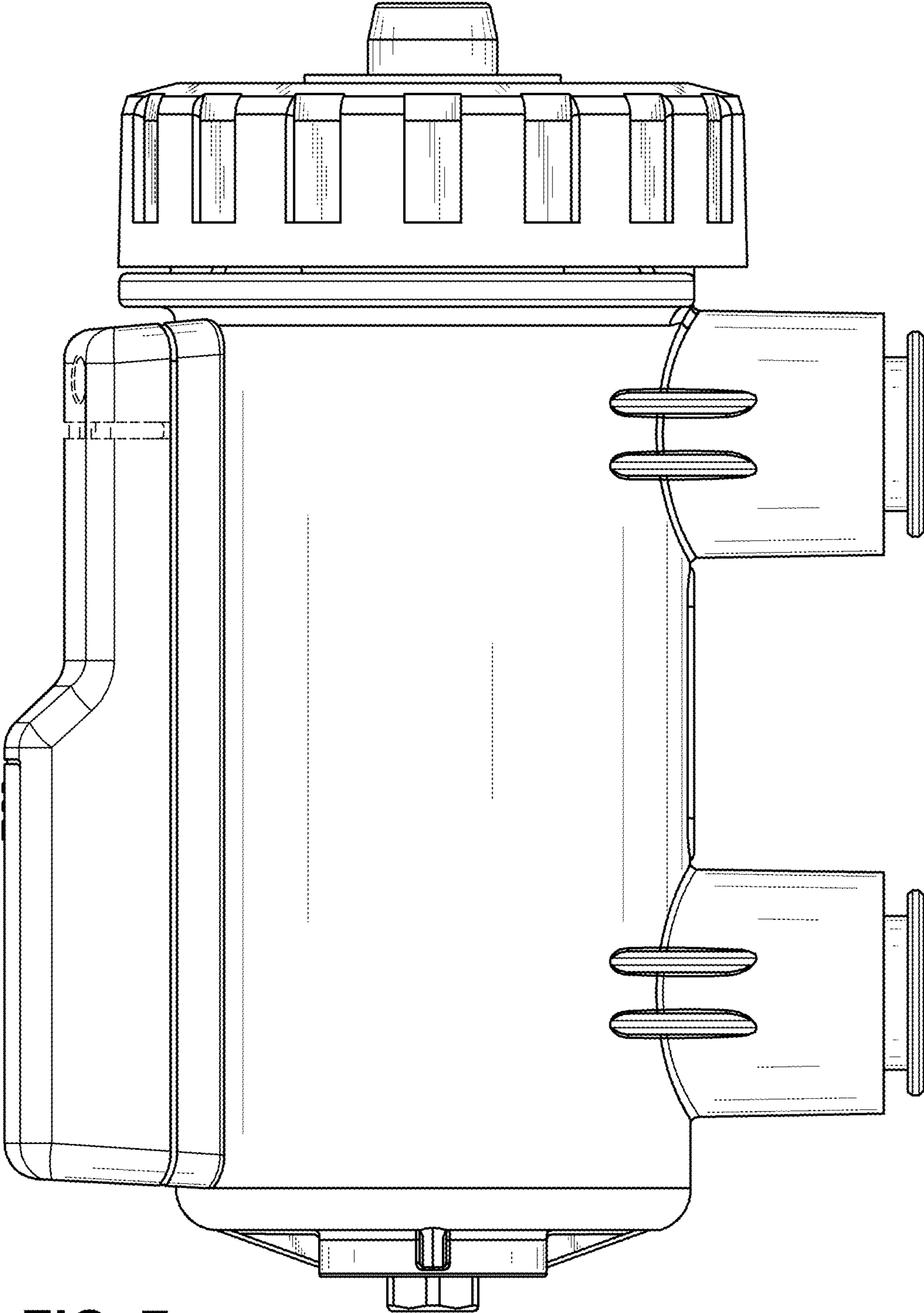


FIG. 7