



US00D878515S

(12) **United States Design Patent**
Buchner et al.

(10) **Patent No.:** **US D878,515 S**
(45) **Date of Patent:** **** Mar. 17, 2020**

- (54) **FLUID BAFFLE COMPONENT** 5,960,981 A * 10/1999 Dodson B65D 90/52
220/507
- (71) Applicant: **Trans Tank International Pty Ltd,** 6,308,856 B1 * 10/2001 Spickelmire B60K 15/077
Nathalia, Victoria (AU) 220/563
- (72) Inventors: **Andre Stephen Buchner,** Victoria 6,431,388 B1 * 8/2002 Spickelmire B60K 15/077
(AU); **Andrew Mark Berry,** Victoria 220/563
(AU) D469,846 S * 2/2003 Spickelmire D23/206
- (73) Assignee: **Trans Tank International Pty Ltd,** 7,036,303 B2 * 2/2005 Bambacigno B60P 3/2235
Nathalia, Victoria (AU) 137/574
- (**) Term: **15 Years** D507,626 S * 7/2005 Bambacigno D23/206
7,036,303 B2 * 5/2006 Ryu F02K 9/34
60/257
8,857,651 B2 * 10/2014 Stelzl A62C 3/06
141/1

(21) Appl. No.: **29/669,618**

* cited by examiner

(22) Filed: **Nov. 9, 2018**

Primary Examiner — Cynthia Ramirez

Assistant Examiner — Gino Colan

(30) **Foreign Application Priority Data**

(74) *Attorney, Agent, or Firm* — Lee & Hayes, P.C.

May 11, 2018 (AU) 201812788
May 11, 2018 (AU) 201812790

(51) **LOC (12) Cl.** **23-01**

(57) **CLAIM**

(52) **U.S. Cl.**
USPC **D23/206**

The ornamental design for a fluid baffle component, as shown and described.

(58) **Field of Classification Search**
USPC D23/233, 234–237, 241–249, 206;
123/188.2, 41.69, 41.41, 41.76, 41.77,
123/41.85, 188.1; 137/217, 15.18, 559,
137/219, 625.34, 514, 493.4, 574; D15/1,
D15/5; 60/257; 220/563, 507; 181/264;
141/1
CPC B60K 15/077; B60K 2015/0344; B60K
2015/0775; B60K 15/03519; B60K
2015/0777; B65D 47/043
See application file for complete search history.

DESCRIPTION

(56) **References Cited**

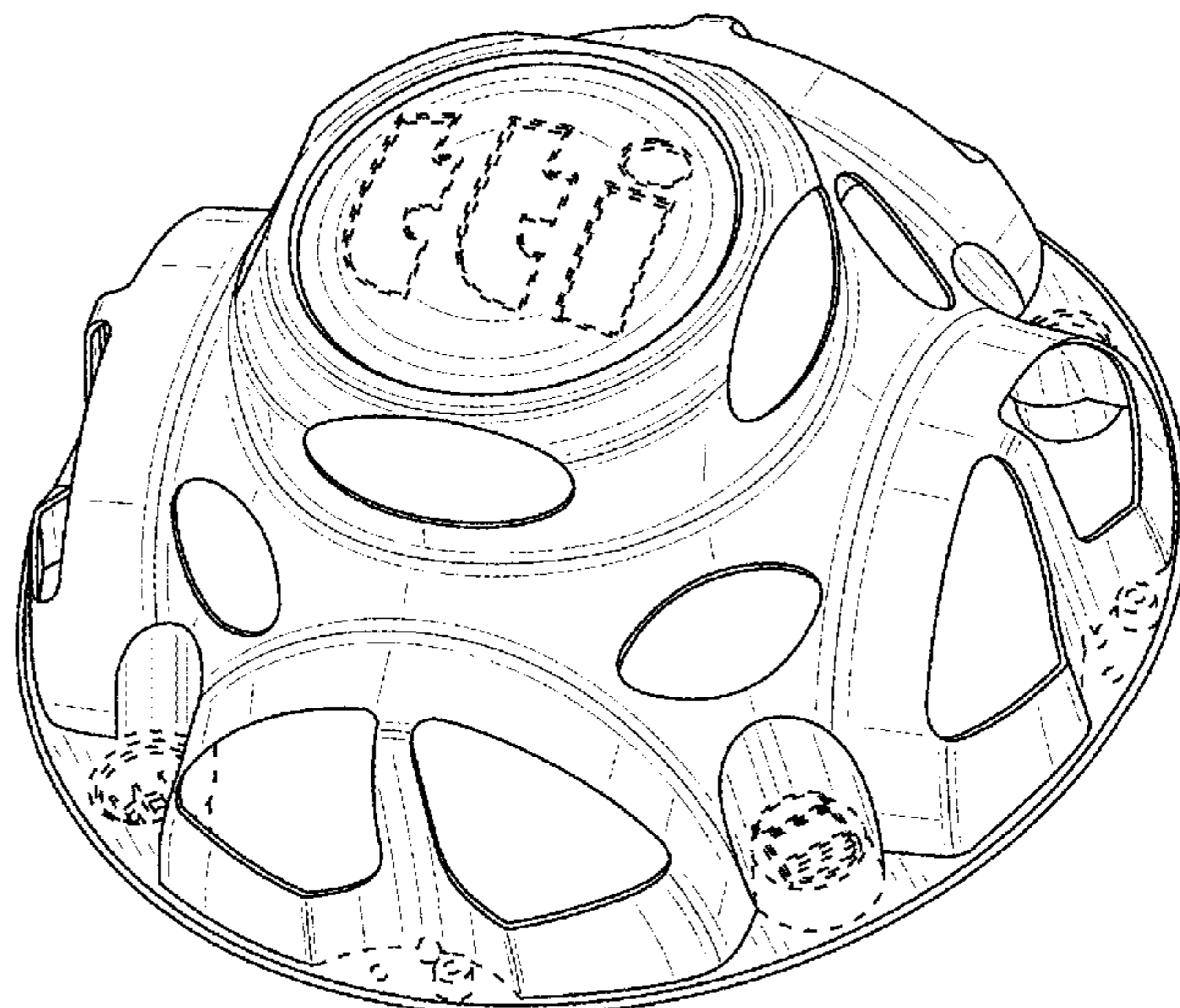
FIG. 1 is a top perspective view of a fluid baffle component;
FIG. 2 is a bottom perspective view thereof;
FIG. 3 is a front view thereof;
FIG. 4 is a back view thereof;
FIG. 5 is a right-side view thereof;
FIG. 6 is a left-side view thereof;
FIG. 7 is a top view thereof; and,
FIG. 8 is a bottom view thereof.

U.S. PATENT DOCUMENTS

The dashed broken lines depict portions of the fluid baffle component that form no part of the claimed design.

4,550,848 A * 11/1985 Sucato A45F 3/16
181/264
5,890,618 A * 4/1999 Spickelmire B60K 15/077
220/563

1 Claim, 8 Drawing Sheets



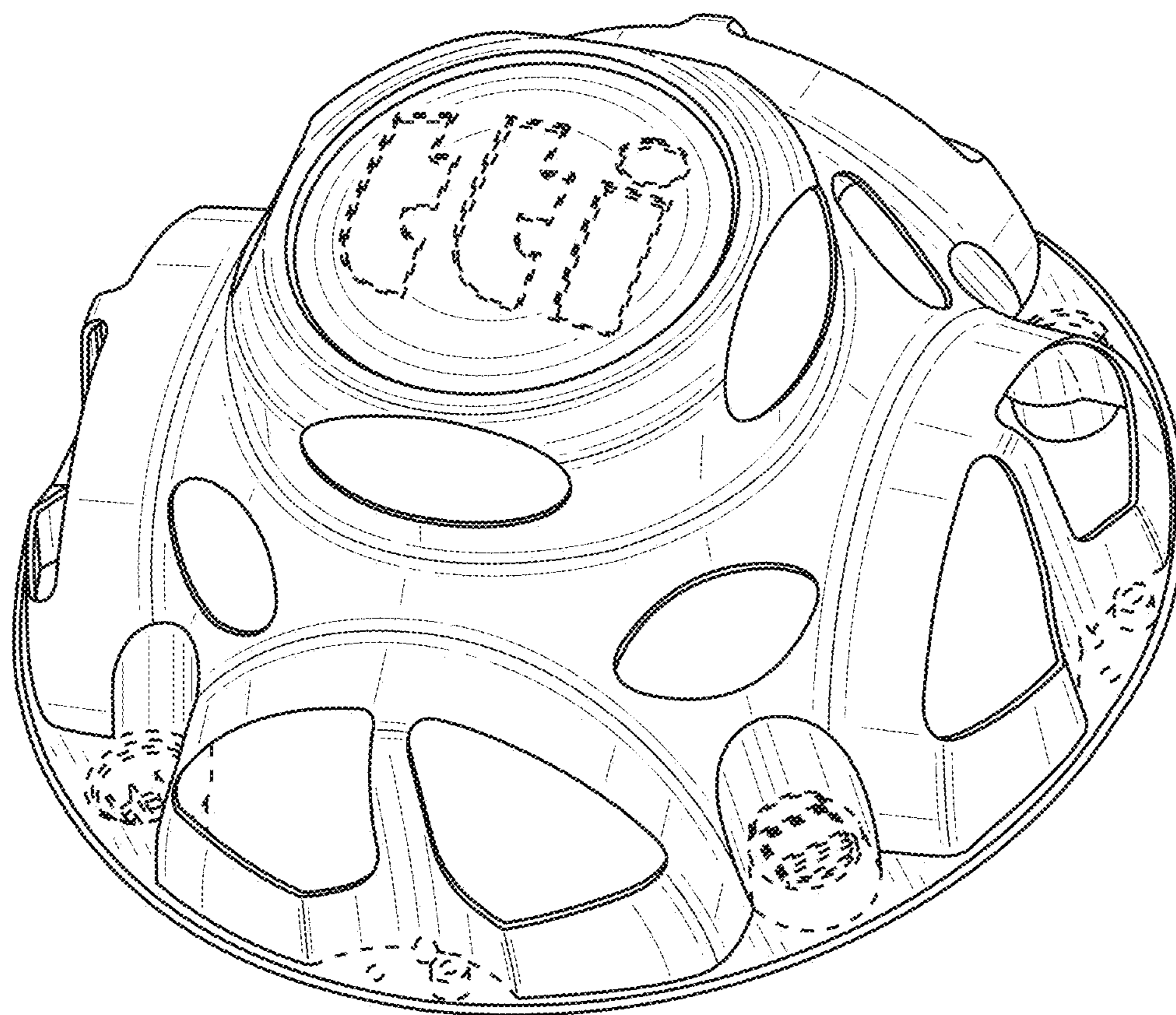


FIG. 1

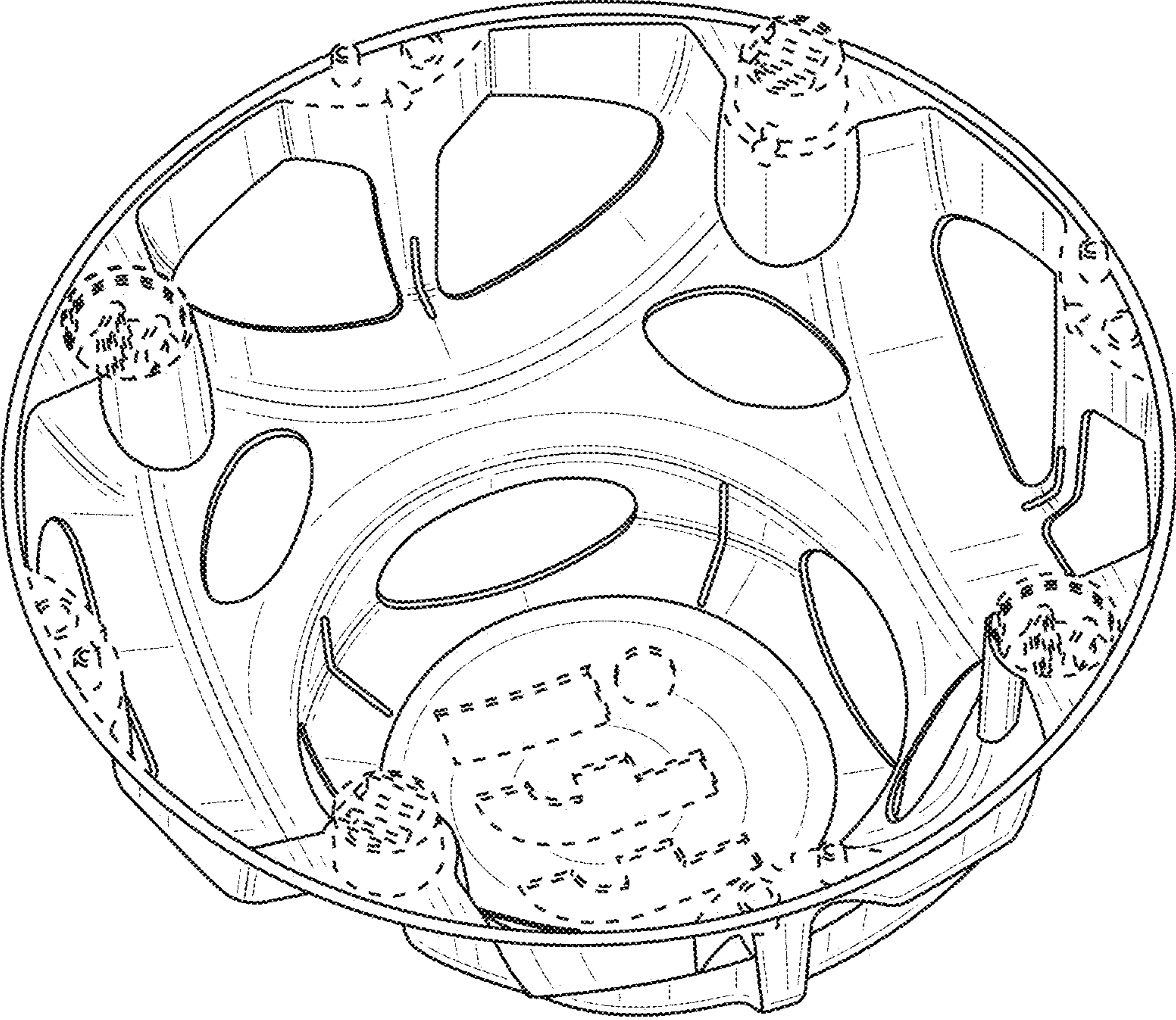


FIG. 2

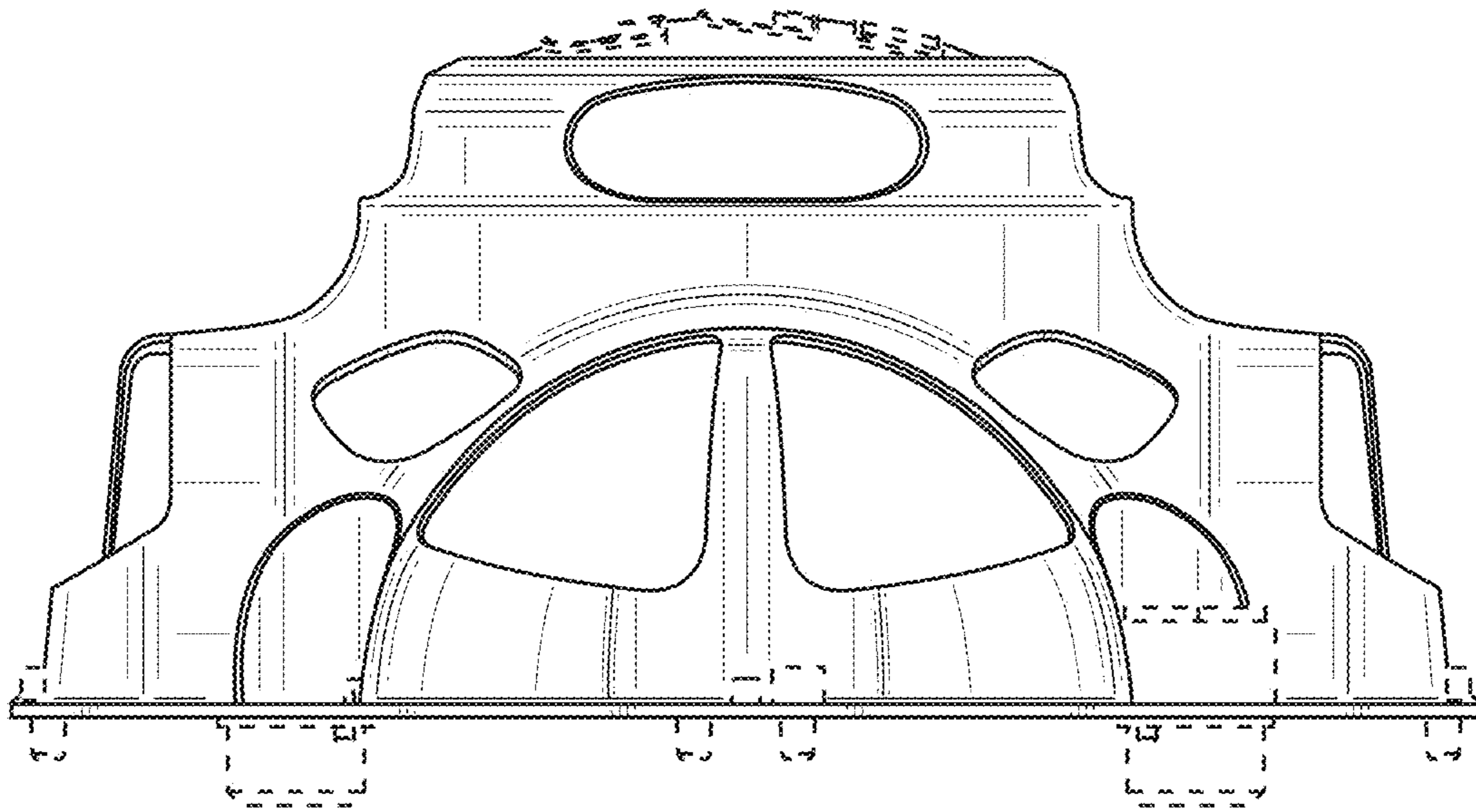


FIG. 3

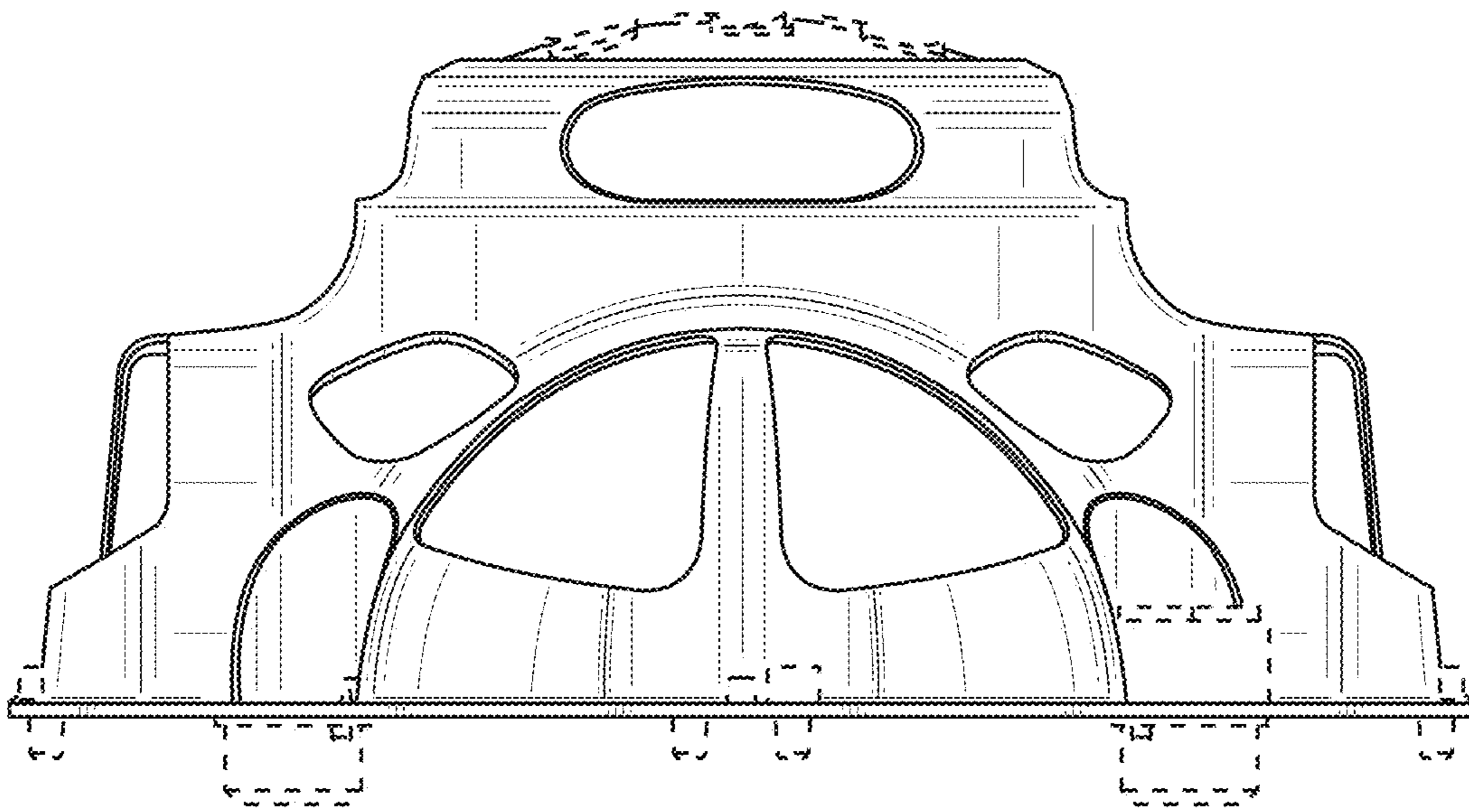


FIG. 4

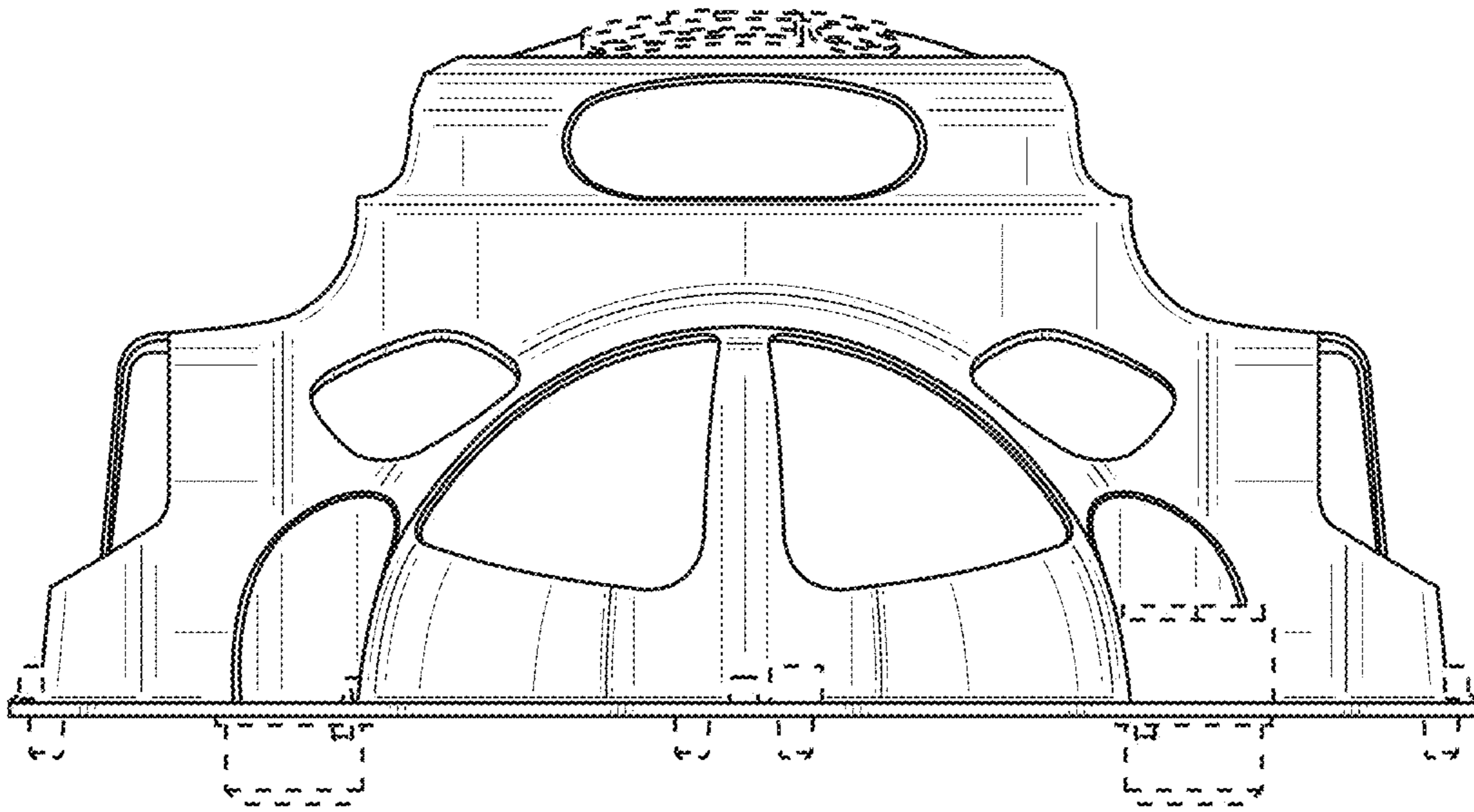


FIG. 5

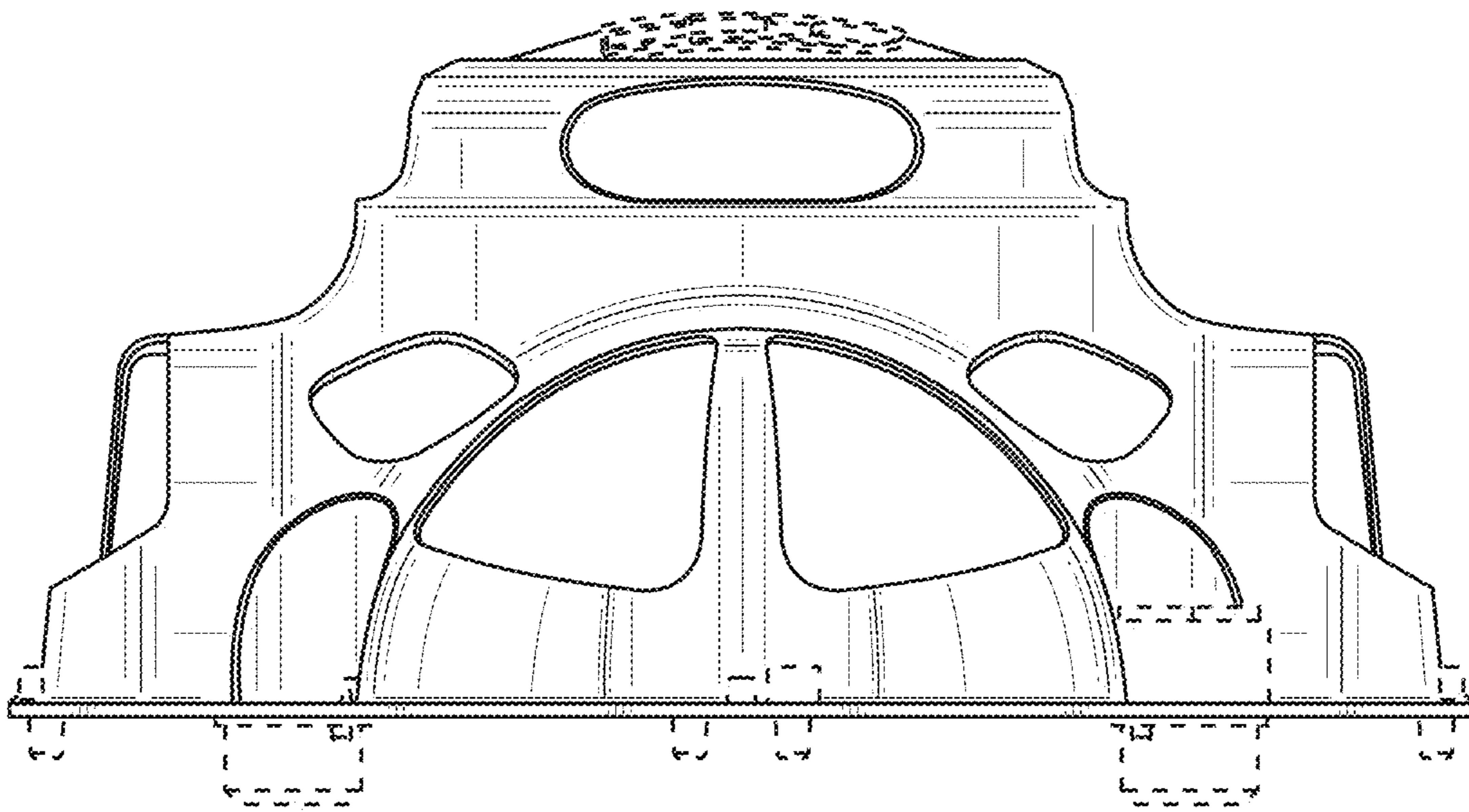


FIG. 6



FIG. 7



FIG. 8