



US00D878514S

(12) **United States Design Patent**  
**Viola**

(10) **Patent No.:** **US D878,514 S**  
(45) **Date of Patent:** **\*\* Mar. 17, 2020**

(54) **ICE FISHING SIGNALING DEVICE**  
(71) Applicant: **Sureset, LLC**, Madison, WI (US)  
(72) Inventor: **Michael Viola**, Madison, WI (US)  
(73) Assignee: **Sureset, LLC**, Madison, WI (US)  
(\*\*) Term: **15 Years**

(21) Appl. No.: **29/672,227**

(22) Filed: **Dec. 4, 2018**

(51) **LOC (12) Cl.** ..... **22-05**

(52) **U.S. Cl.**  
USPC ..... **D22/134**

(58) **Field of Classification Search**  
USPC .... D22/134, 137-138, 199; 43/16, 17, 19.2,  
43/26.1  
CPC ..... A01K 97/01; A01K 97/12; A01K 97/10;  
A01K 97/125  
See application file for complete search history.

(56) **References Cited**

**U.S. PATENT DOCUMENTS**

1,035,936 A	8/1912	Anderson	
2,752,716 A *	7/1956	Porter	A01K 97/01
			43/16
2,876,579 A *	3/1959	Plouffe	A01K 97/01
			43/17
2,977,704 A	4/1961	Tinsley	
D221,546 S *	8/1971	Happe	D22/134
3,729,849 A *	5/1973	Richard	A01K 97/12
			43/17
4,050,179 A	9/1977	Johnson	
4,373,287 A	2/1983	Grahl	
4,567,686 A *	2/1986	Akom	A01K 97/01
			43/17
4,747,226 A *	5/1988	Todd	A01K 97/01
			43/4
4,923,165 A	5/1990	Cockman	

5,088,681 A 2/1992 Procaccianti et al.  
5,448,850 A 9/1995 Gonnello  
5,535,538 A \* 7/1996 Heuke ..... A01K 91/065  
43/19.2

7,036,267 B2 5/2006 Klein  
(Continued)

*Primary Examiner* — Catherine R Oliver-Garcia  
(74) *Attorney, Agent, or Firm* — Ziolkowski Patent  
Solutions Group, SC

(57) **CLAIM**

The ornamental design for an ice fishing signaling device, as shown and described herein.

**DESCRIPTION**

FIG. 1 is a perspective view from the right upper side of an ice fishing signaling device according to the design of the present invention.

FIG. 2 is a front view of the ice fishing signaling device of FIG. 1.

FIG. 3 is a rear view of the ice fishing signaling device of FIG. 1.

FIG. 4 is a right side view of the ice fishing signaling device of FIG. 1.

FIG. 5 is a left side view of the ice fishing signaling device of FIG. 1.

FIG. 6 is a top view of the ice fishing signaling device of FIG. 1;

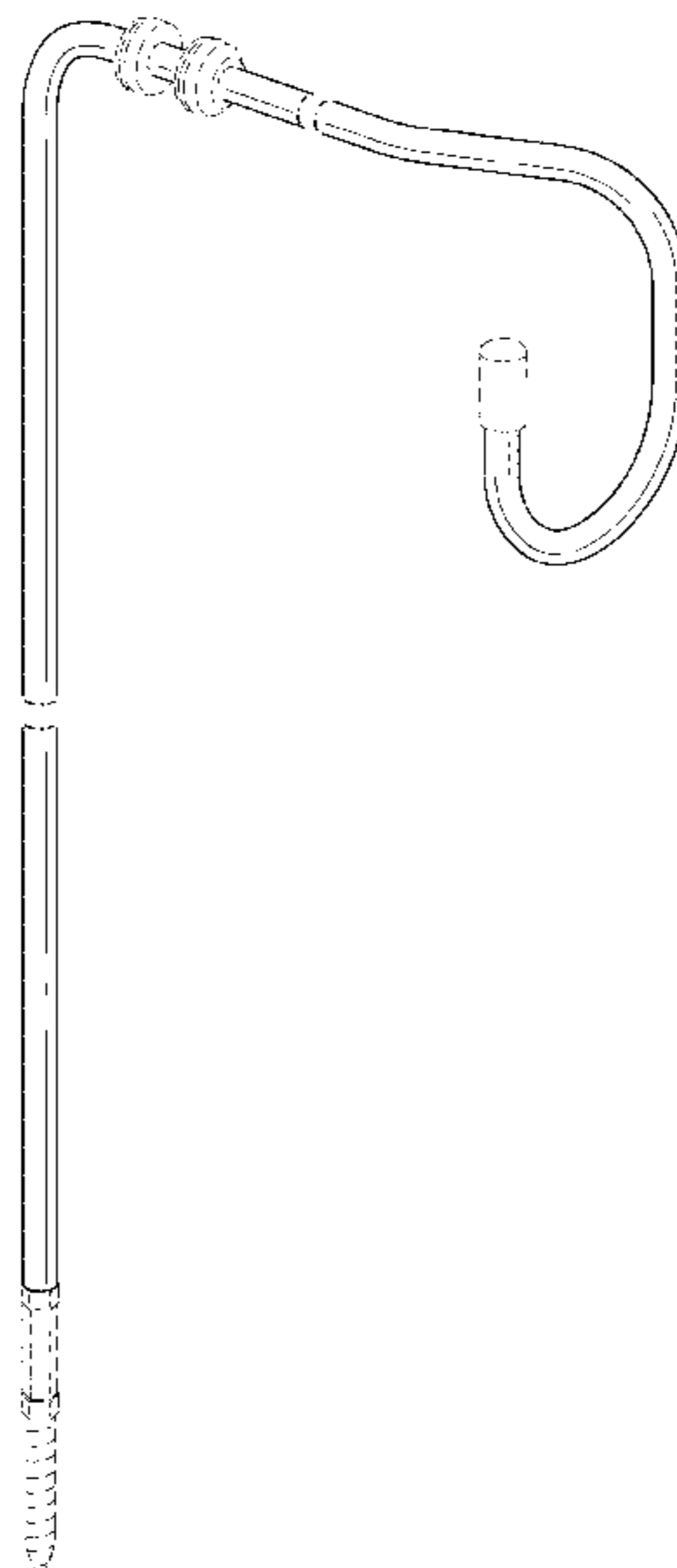
FIG. 7 is a bottom view of the ice fishing signaling device of FIG. 1; and,

FIG. 8 is a perspective view from the right upper side of the ice fishing signaling device of FIG. 1 positioned relative to a hole in the ice and with a reel secured thereto.

The broken lines in the drawing views are included for the purpose of illustrating portions of the ice fishing signaling device that form no part of the claimed design.

The breaks in the lines indicate that no particular length is claimed and any portion shown between forms no part of the claimed design.

**1 Claim, 5 Drawing Sheets**



(56)

**References Cited**

U.S. PATENT DOCUMENTS

7,309,198	B1	12/2007	Brown	
8,978,288	B2	3/2015	Olson et al.	
9,420,775	B1	8/2016	Ridler	
2007/0240367	A1	10/2007	Brown	
2008/0052981	A1*	3/2008	Richardson	..... A01K 97/01 43/17
2009/0139130	A1*	6/2009	Nozzarella	..... A01K 97/01 43/17
2010/0071250	A1	3/2010	Morehead	
2012/0216441	A1	8/2012	Broderick	
2013/0227873	A1*	9/2013	Coulson	..... A01K 97/125 43/17
2014/0352196	A1	12/2014	Copeland	
2015/0000175	A1*	1/2015	Bryzek	..... A01K 97/01 43/17
2015/0316201	A1	11/2015	Roberts	

\* cited by examiner

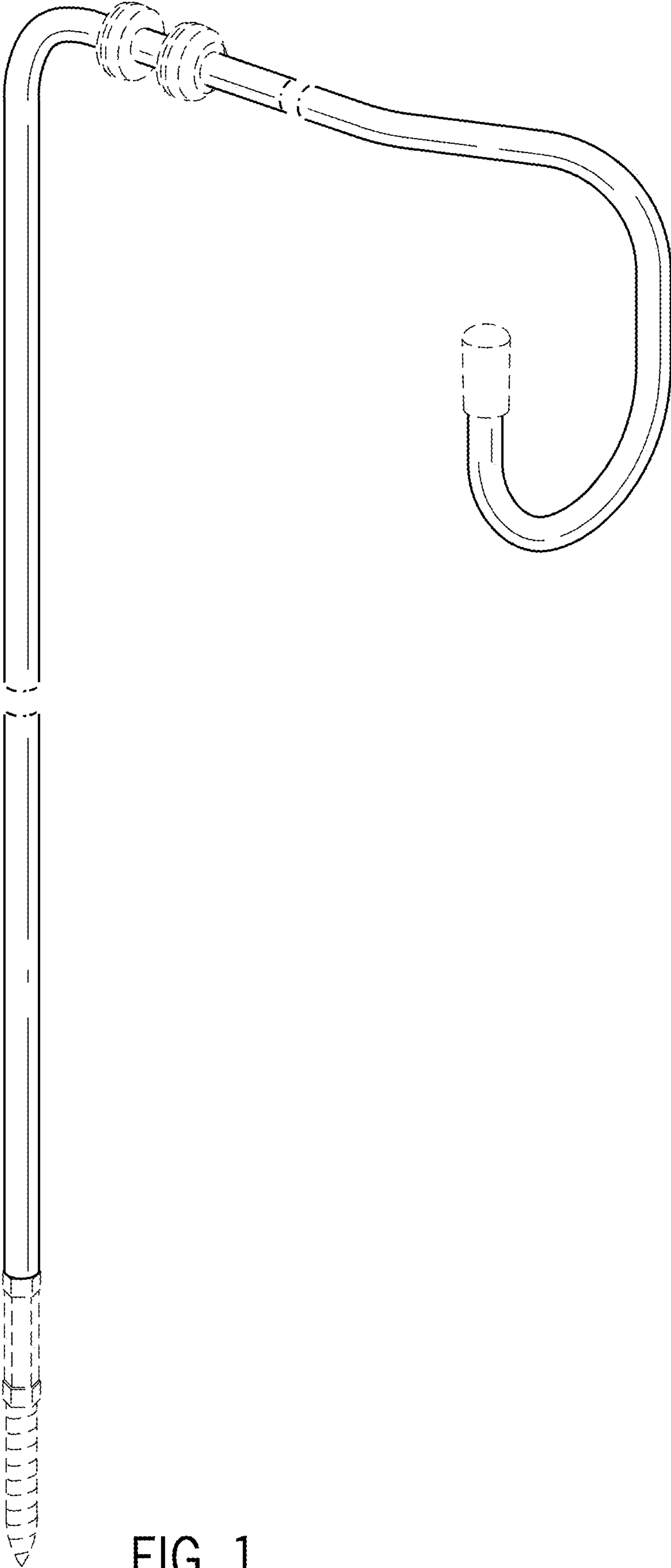


FIG. 1

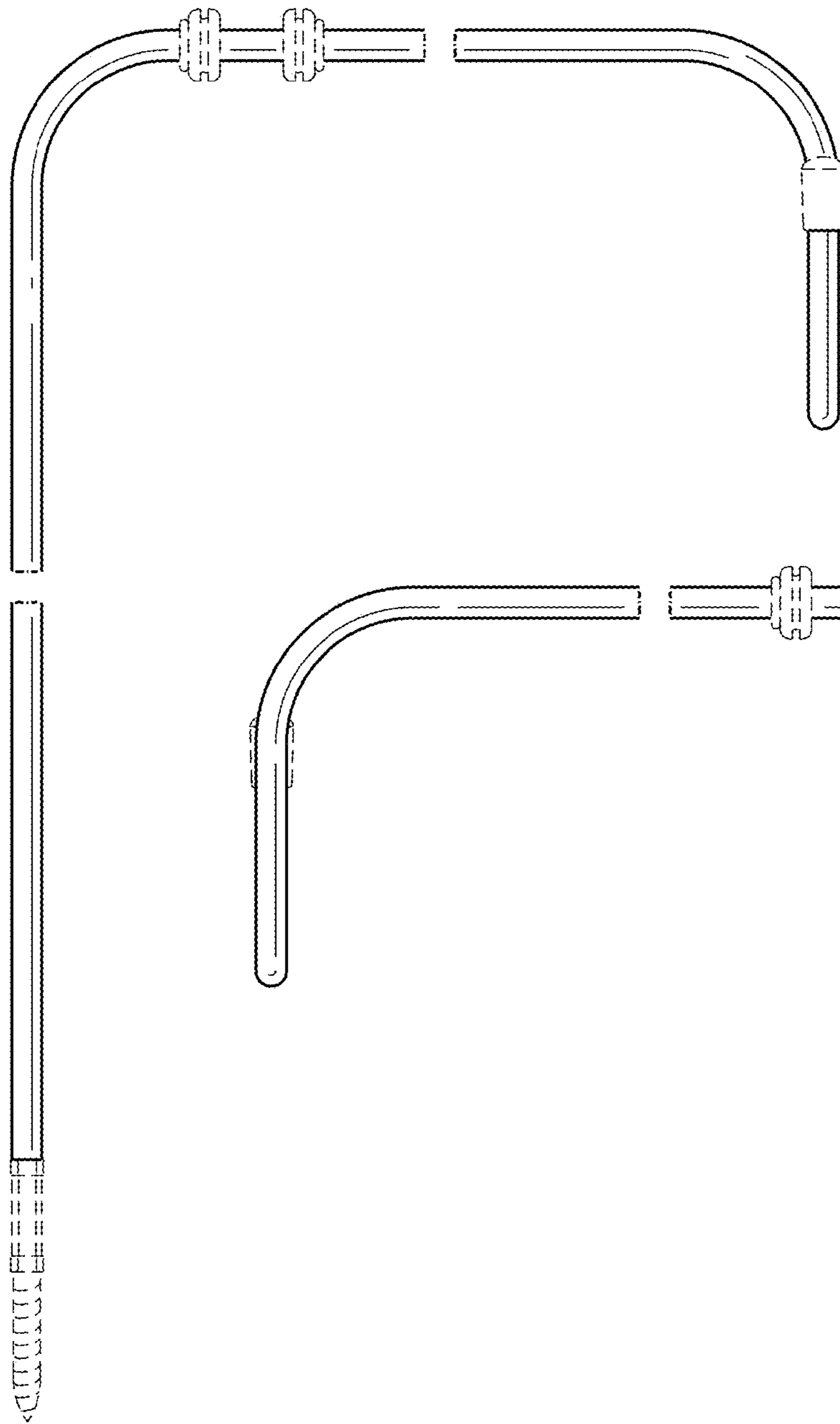


FIG. 2

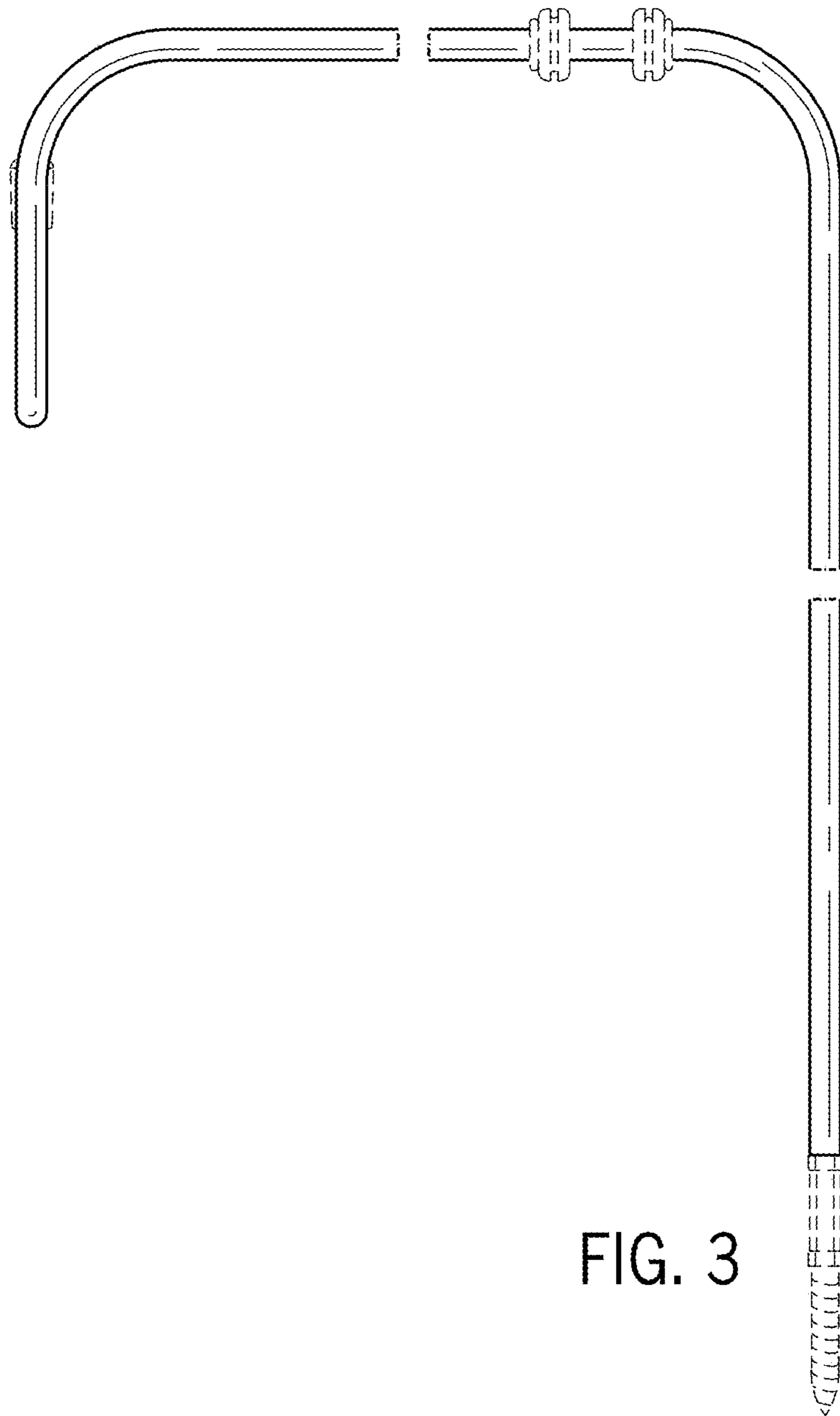


FIG. 3

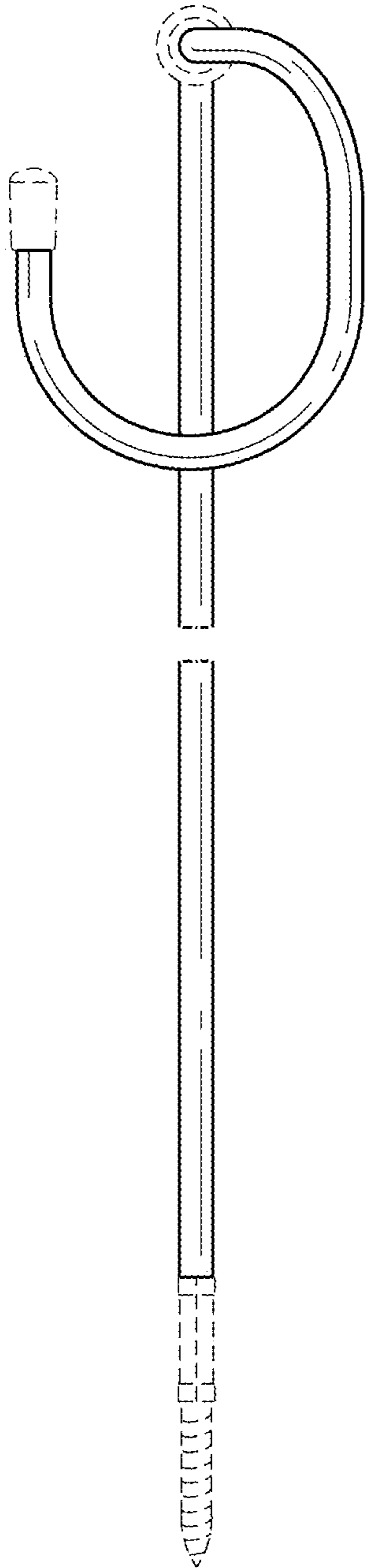


FIG. 4

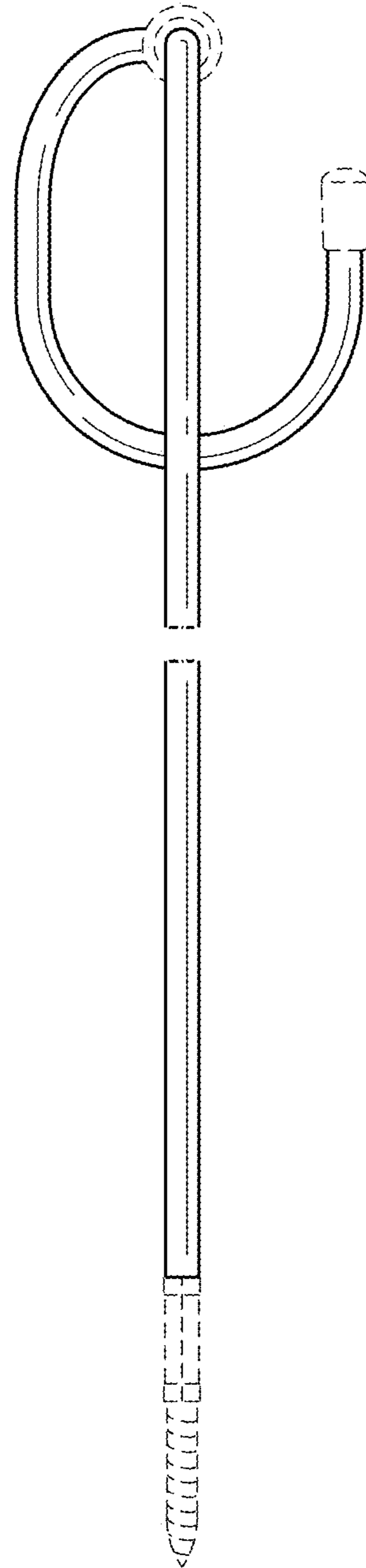


FIG. 5

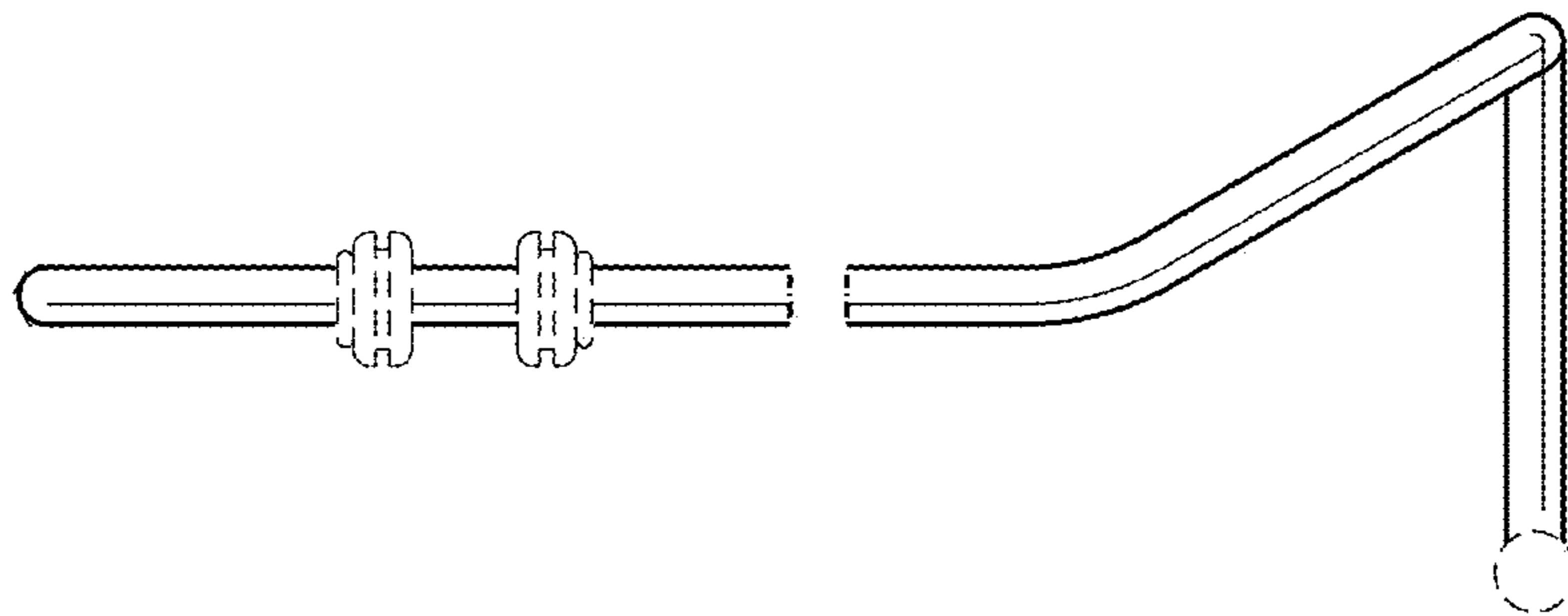


FIG. 6

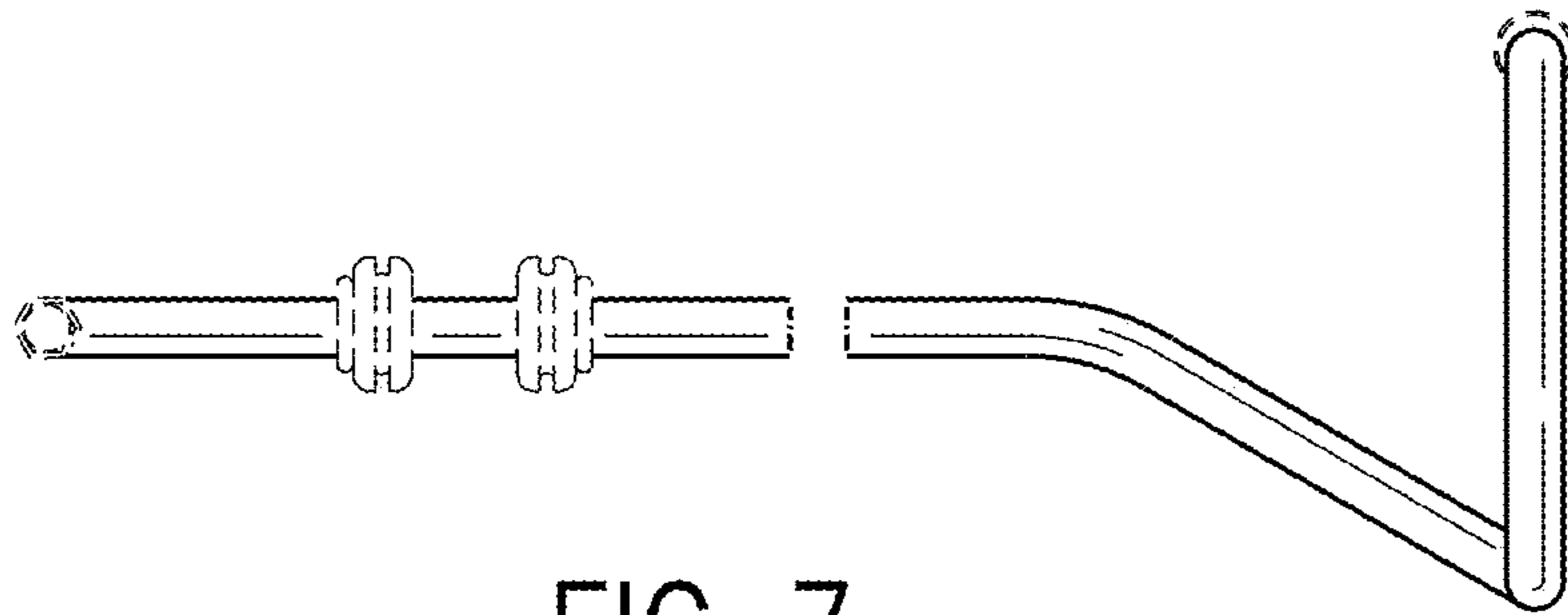


FIG. 7

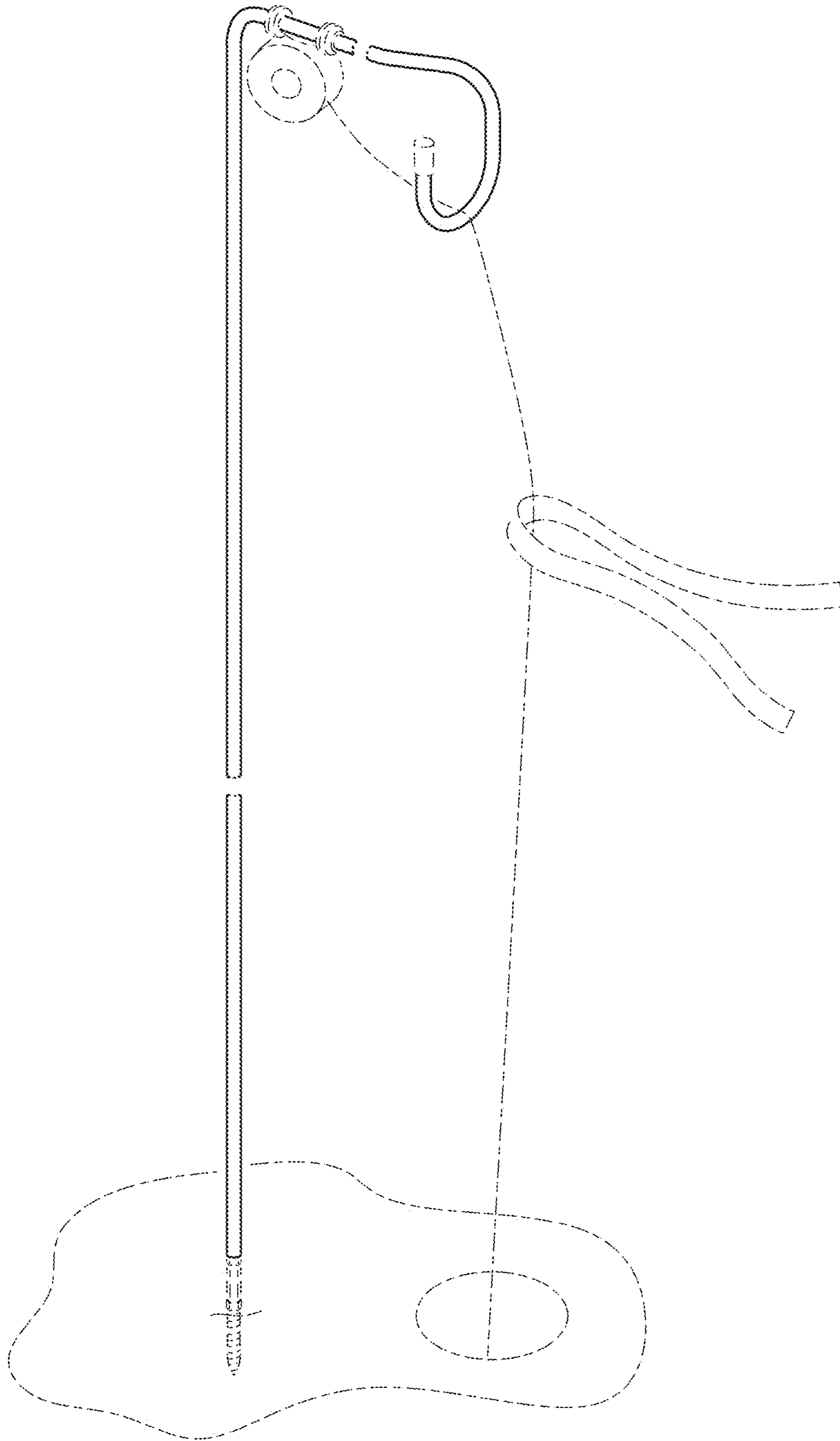


FIG. 8