



US00D878512S

(12) **United States Design Patent** (10) **Patent No.:** **US D878,512 S**
Wang et al. (45) **Date of Patent:** **** *Mar. 17, 2020**

(54) **INSECT TRAP CARTRIDGE** 4,709,503 A * 12/1987 McQueen A01M 1/14
43/114
(71) Applicant: **The Procter & Gamble Company,** 4,815,231 A * 3/1989 McQueen A01M 1/14
Cincinnati, OH (US) 43/114
D780,284 S * 2/2017 Lieberwirth D22/122
(72) Inventors: **Mike Shuo Wang,** Cincinnati, OH 2016/0000060 A1 1/2016 Schaefer et al.
(US); **Christopher Lawrence Smith,** 2016/0262367 A1 9/2016 Sandford et al.
Liberty Township, OH (US); **Andrea** 2017/0035039 A1 2/2017 Sandford et al.
Pedrotti, Trento (IT); **Danilo Rossi,** 2017/0303523 A1 10/2017 Lazarchik et al.
Trento (IT)

(73) Assignee: **The Procter & Gamble Company,** U.S. Appl. No. 29/603,764, filed May 12, 2017, Smith et al.
Cincinnati, OH (US) U.S. Appl. No. 15/960,648, filed Apr. 24, 2018, Schaefer et al.

(*) Notice: This patent is subject to a terminal disclaimer. * cited by examiner

(**) Term: **15 Years** (74) *Attorney, Agent, or Firm* — Melissa G. Krasovec

(21) Appl. No.: **29/595,960**

(22) Filed: **Mar. 3, 2017**

(51) **LOC (12) Cl.** **22-06**

(52) **U.S. Cl.** **D22/122**
USPC **D22/122**

(58) **Field of Classification Search**
USPC D22/119–124; 43/107, 111–113, 121,
43/124, 131, 132.1; D23/366–367
CPC A01M 1/04; A01M 1/14
See application file for complete search history.

(56) **References Cited**

U.S. PATENT DOCUMENTS

2,307,163 A * 1/1943 Shea A01M 1/02
43/112
4,212,129 A * 7/1980 Shumate A01M 1/04
43/113
D282,390 S * 1/1986 Ford D22/119
4,709,502 A * 12/1987 Bierman A01M 1/04
43/112

OTHER PUBLICATIONS

U.S. Appl. No. 29/603,764, filed May 12, 2017, Smith et al.
U.S. Appl. No. 15/960,648, filed Apr. 24, 2018, Schaefer et al.

* cited by examiner

Primary Examiner — Catherine R Oliver-Garcia

(74) *Attorney, Agent, or Firm* — Melissa G. Krasovec

(57) **CLAIM**

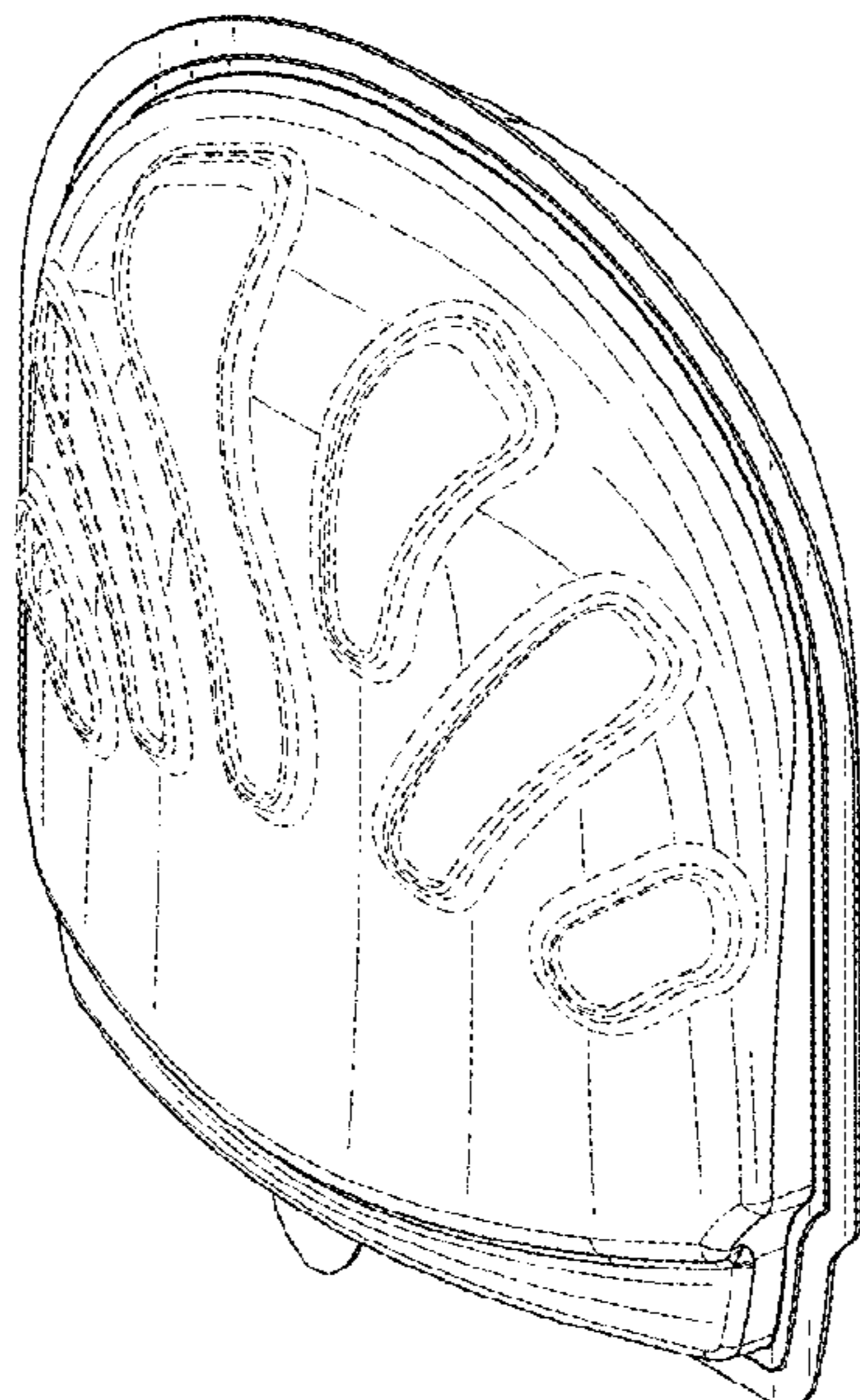
The ornamental design for an insect trap cartridge, as shown and described.

DESCRIPTION

FIG. 1 is a perspective view of an insect trap cartridge embodying our new design;
FIG. 2 is a front view thereof;
FIG. 3 is a right side view thereof;
FIG. 4 is a rear view thereof;
FIG. 5 is a left side view thereof;
FIG. 6 is a top view thereof; and,
FIG. 7 is bottom view thereof.

In the drawings, the broken lines depict environmental subject matter only that forms no part of the claimed design. In various alternatives of the embodiments shown, the insect trap cartridge may be depicted, in whole or part, in a grey, white or silver color or combination thereof.

1 Claim, 2 Drawing Sheets



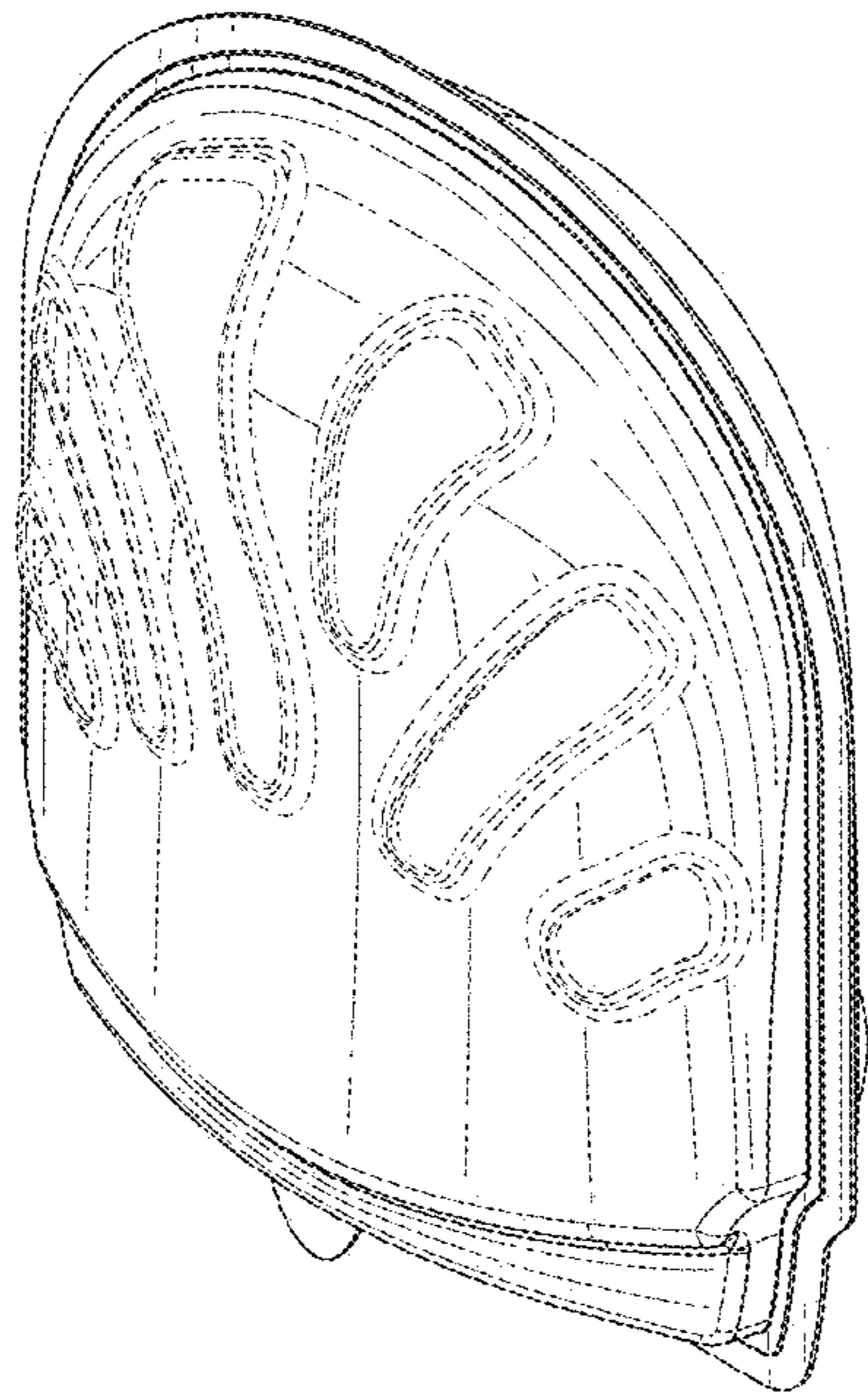


FIG. 1

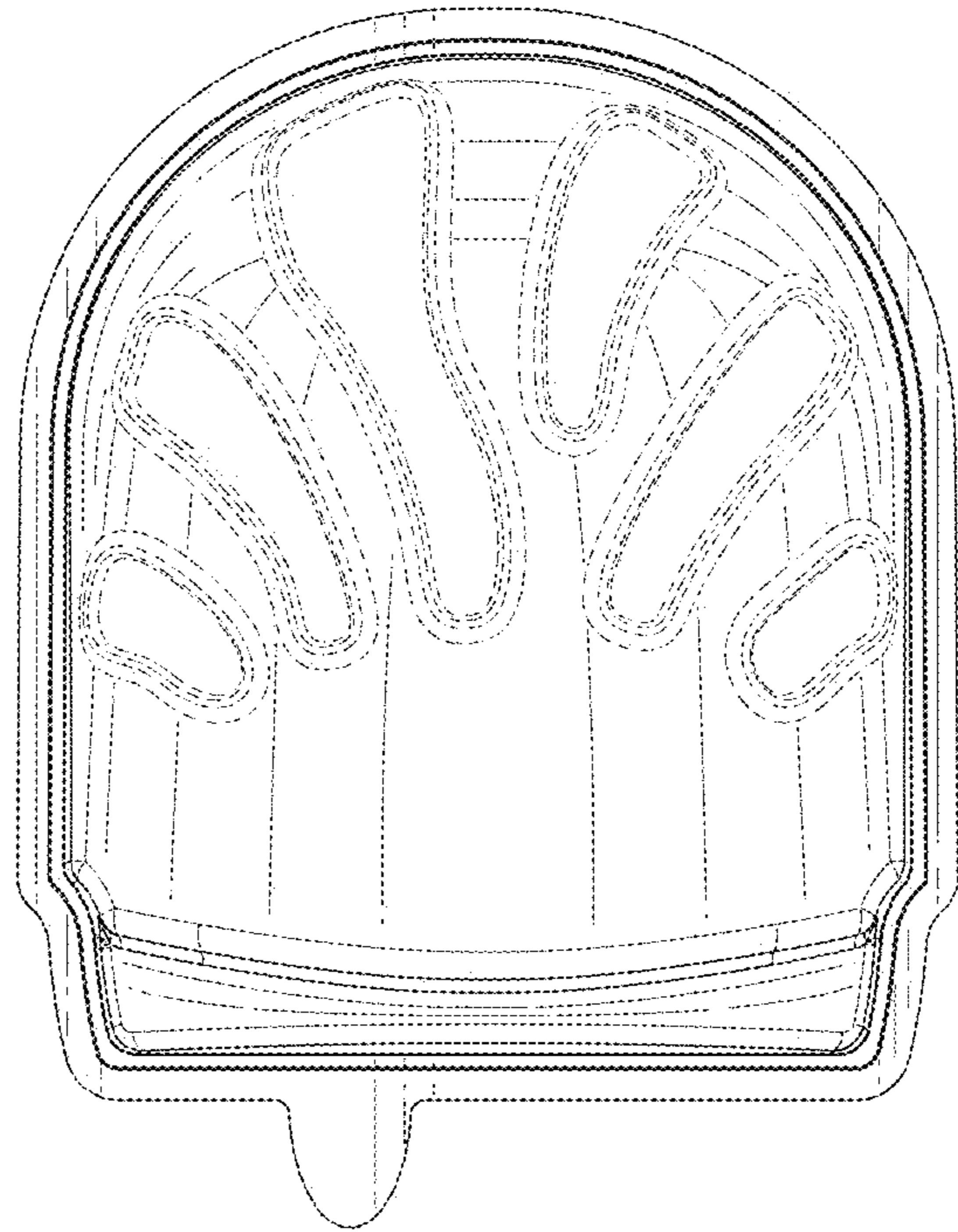


FIG. 2

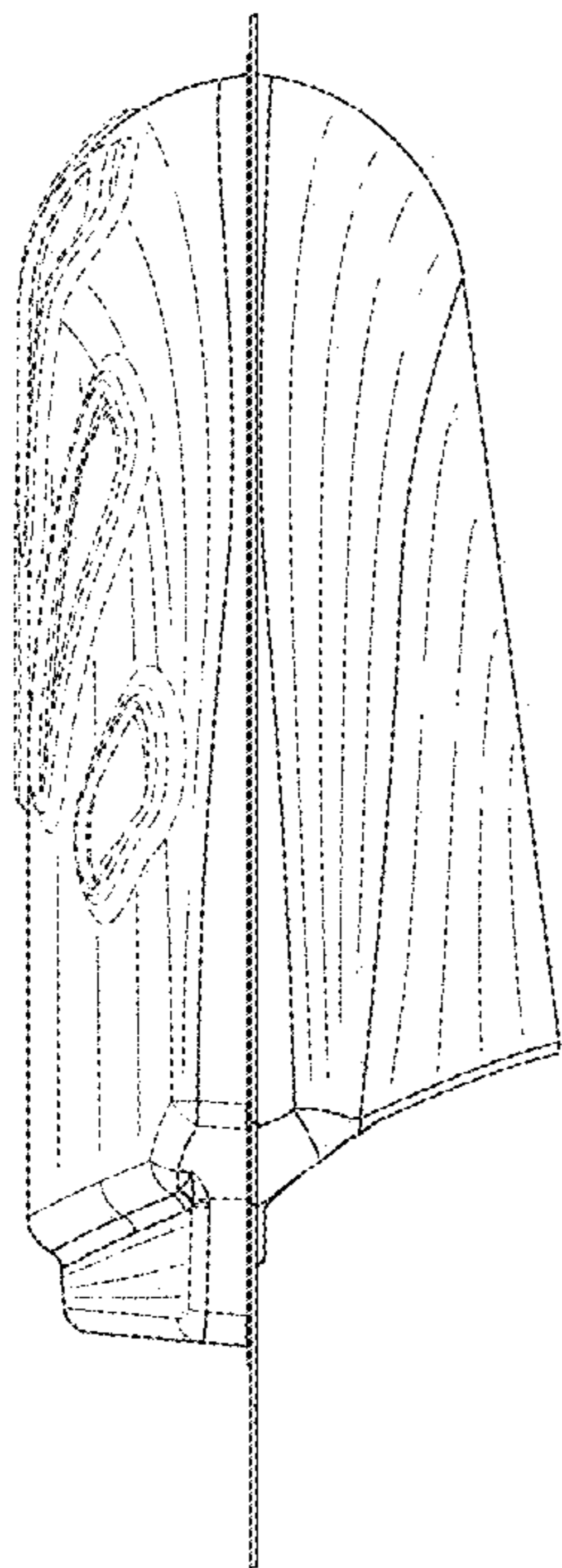


FIG. 3

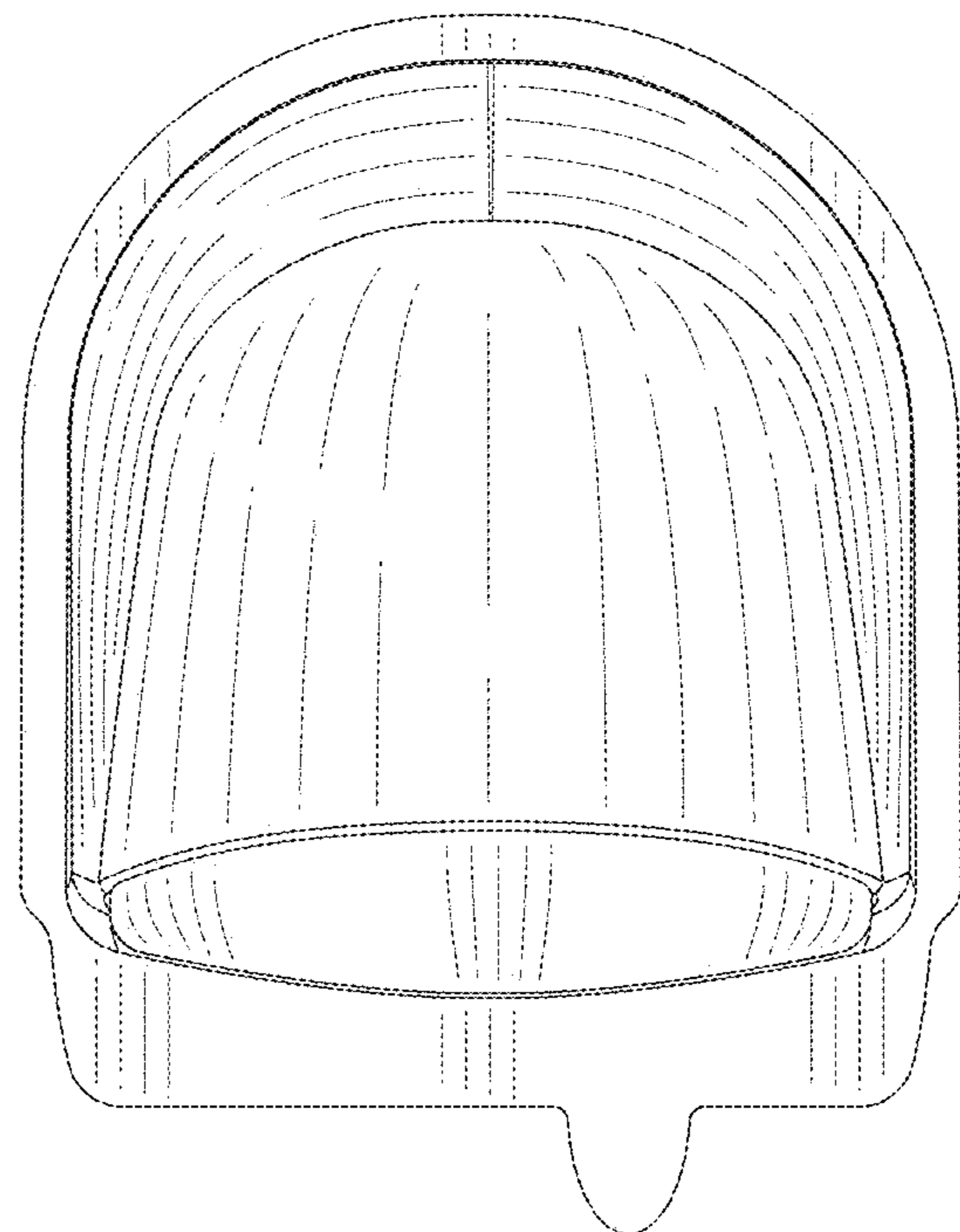


FIG. 4

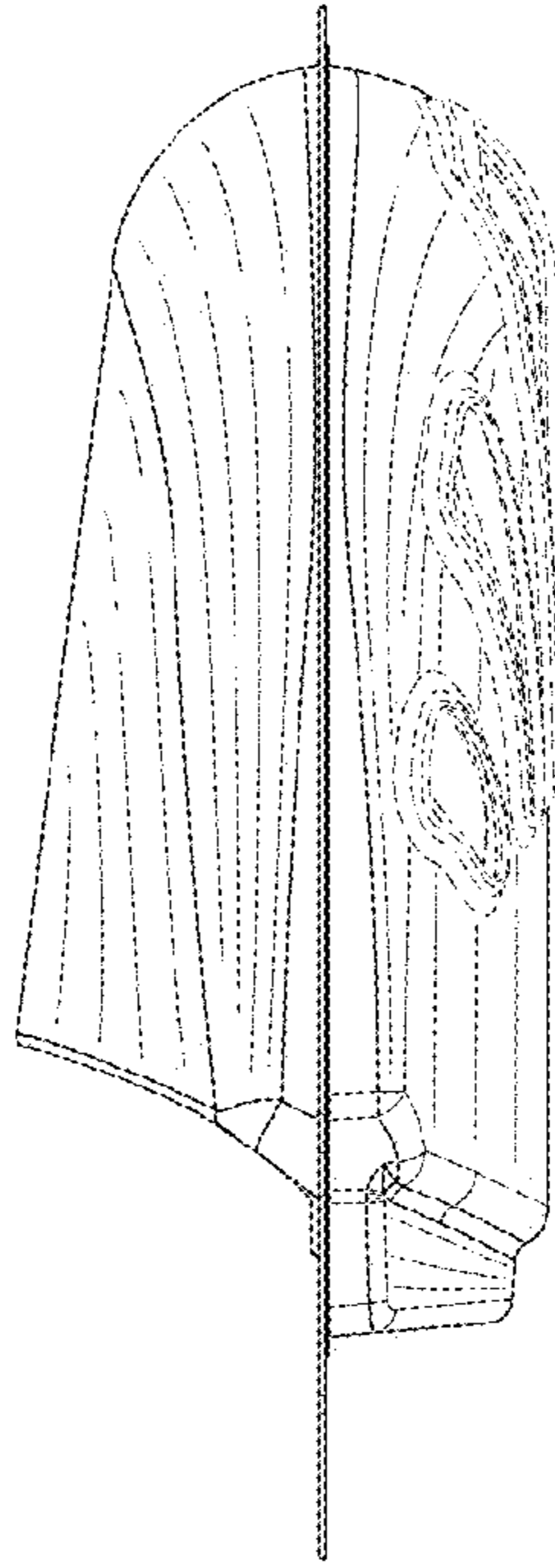


FIG. 5

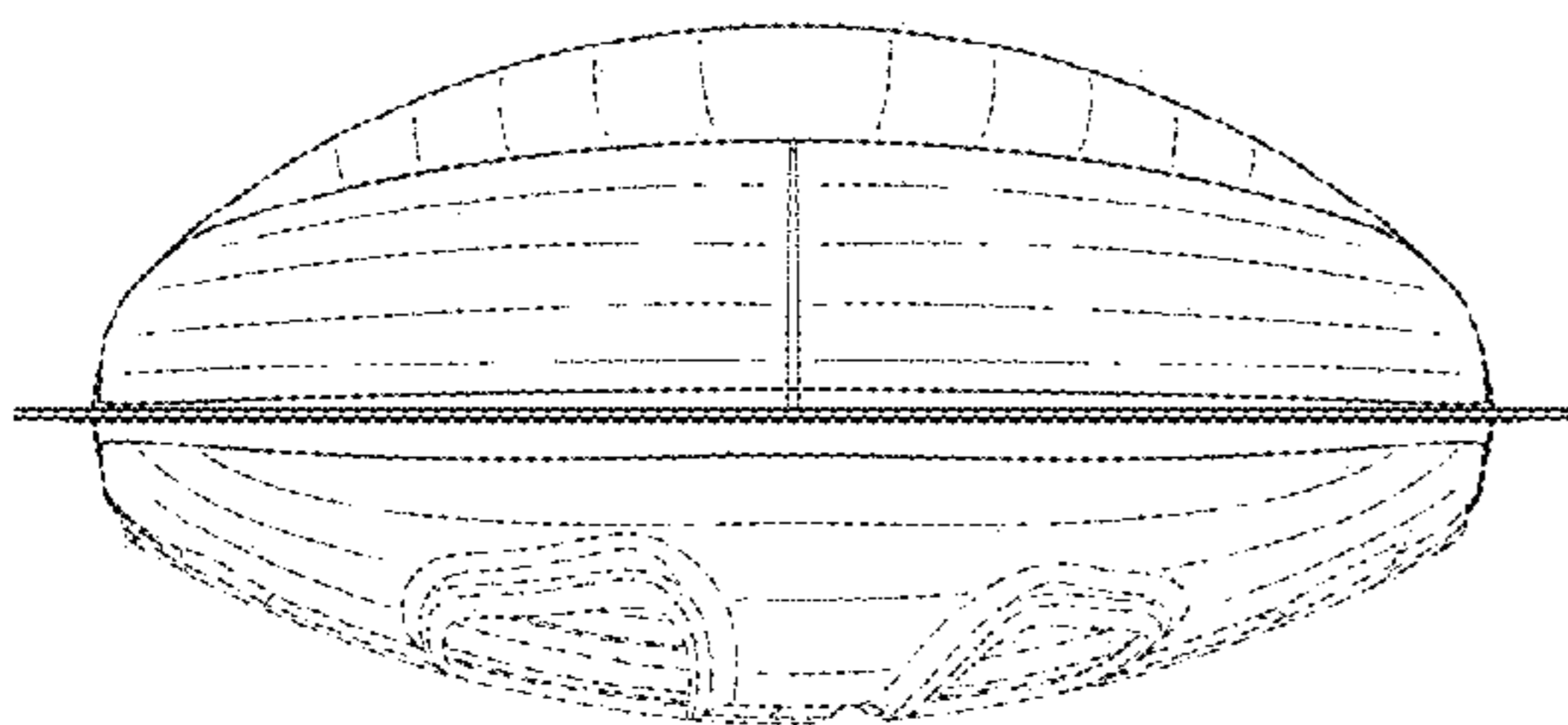


FIG. 6

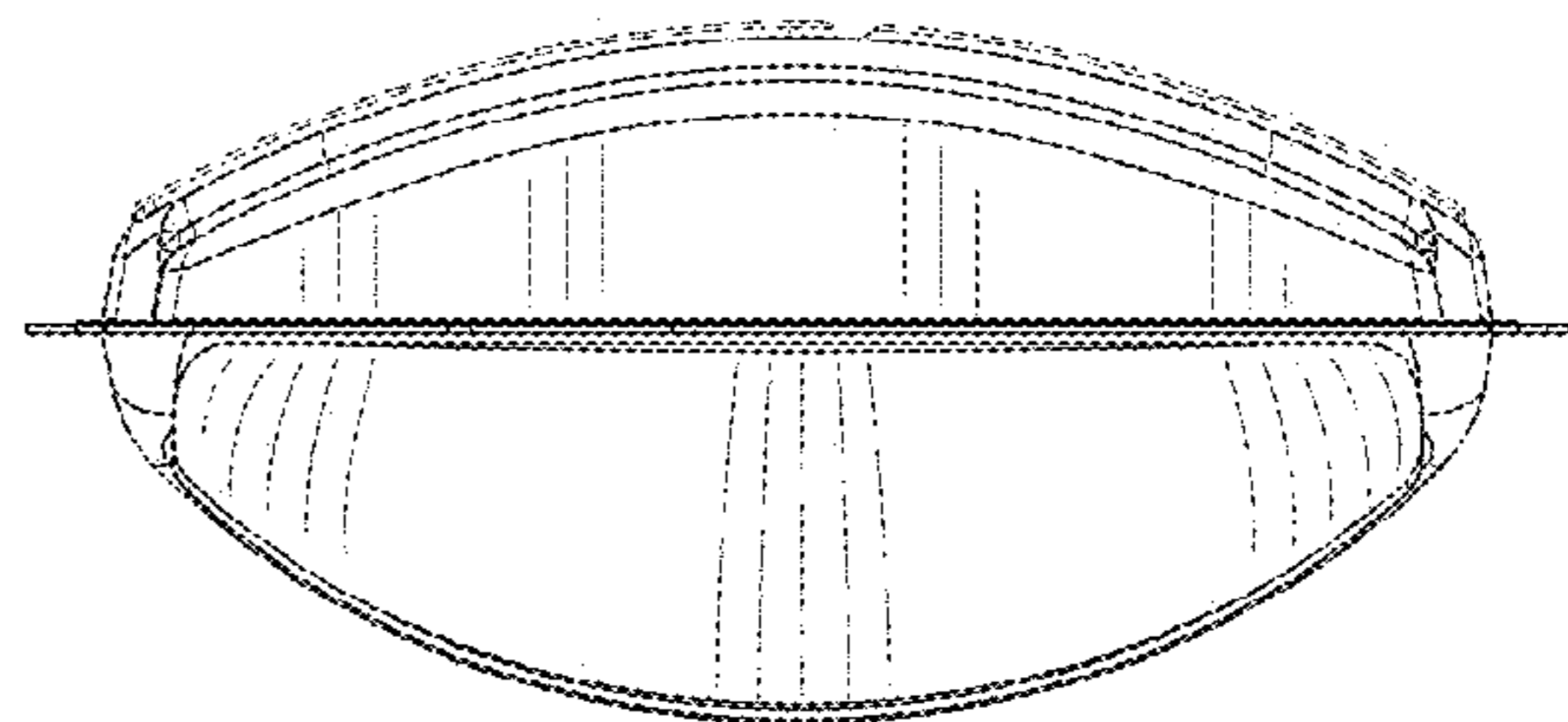


FIG. 7