



US00D878511S

(12) **United States Design Patent** (10) **Patent No.:** **US D878,511 S**
Houde-Walter (45) **Date of Patent:** **** *Mar. 17, 2020**

(54) **FIREARM MOUNT WITH EMBEDDED LASER SIGHT**

(71) Applicant: **Crosman Corporation**, Bloomfield, NY (US)

(72) Inventor: **William R. Houde-Walter**, Rush, NY (US)

(73) Assignee: **Crosman Corporation**, Bloomfield, NY (US)

(*) Notice: This patent is subject to a terminal disclaimer.

(**) Term: **15 Years**

(21) Appl. No.: **29/629,078**

(22) Filed: **Dec. 11, 2017**

Related U.S. Application Data

(60) Continuation of application No. 29/542,991, filed on Oct. 20, 2015, now Pat. No. Des. 823,971, which is a continuation of application No. 14/203,534, filed on Mar. 10, 2014, now Pat. No. 9,488,445, which is a division of application No. 12/824,799, filed on Jun. 28, 2010, now Pat. No. 8,695,267, which is a continuation-in-part of application No. 12/118,105, filed on May 9, 2008, now Pat. No. 7,743,547, which is a division of application No. 11/307,385, filed on Feb. 4, 2006, now Pat. No. 7,421,818.

(51) **LOC (12) Cl.** **22-01**

(52) **U.S. Cl.**
USPC **D22/109**

(58) **Field of Classification Search**
USPC D22/108-109
CPC . F41G 11/003; F41G 1/00; F41G 1/16; F41G 1/345

See application file for complete search history.

(56) **References Cited**

U.S. PATENT DOCUMENTS

6,578,311	B2 *	6/2003	Danielson	F41G 1/35 362/110
D612,756	S *	3/2010	D'Amelio	D10/70
7,743,547	B2 *	6/2010	Houde-Walter	F41G 11/003 362/110
D662,566	S *	6/2012	Estes	D22/109
D675,281	S *	1/2013	Speroni	D22/109
D700,674	S *	3/2014	Prieto	D22/109
8,695,267	B2 *	4/2014	Houde-Walter	F41G 1/35 42/146
D741,442	S *	10/2015	Wilson	D22/108
9,500,442	B2 *	11/2016	Collin	G03H 1/0005
2009/0038201	A1 *	2/2009	Cheng	F41G 11/003 42/127

* cited by examiner

Primary Examiner — Michael A. Pratt

(74) *Attorney, Agent, or Firm* — Roland R. Schindler, II, Esq.

(57) **CLAIM**

The ornamental design for the firearm mount with embedded laser sight, as shown and described.

DESCRIPTION

FIG. 1 is a bottom, front, left side isometric view of a first embodiment of the laser aiming device in accordance with my new design.

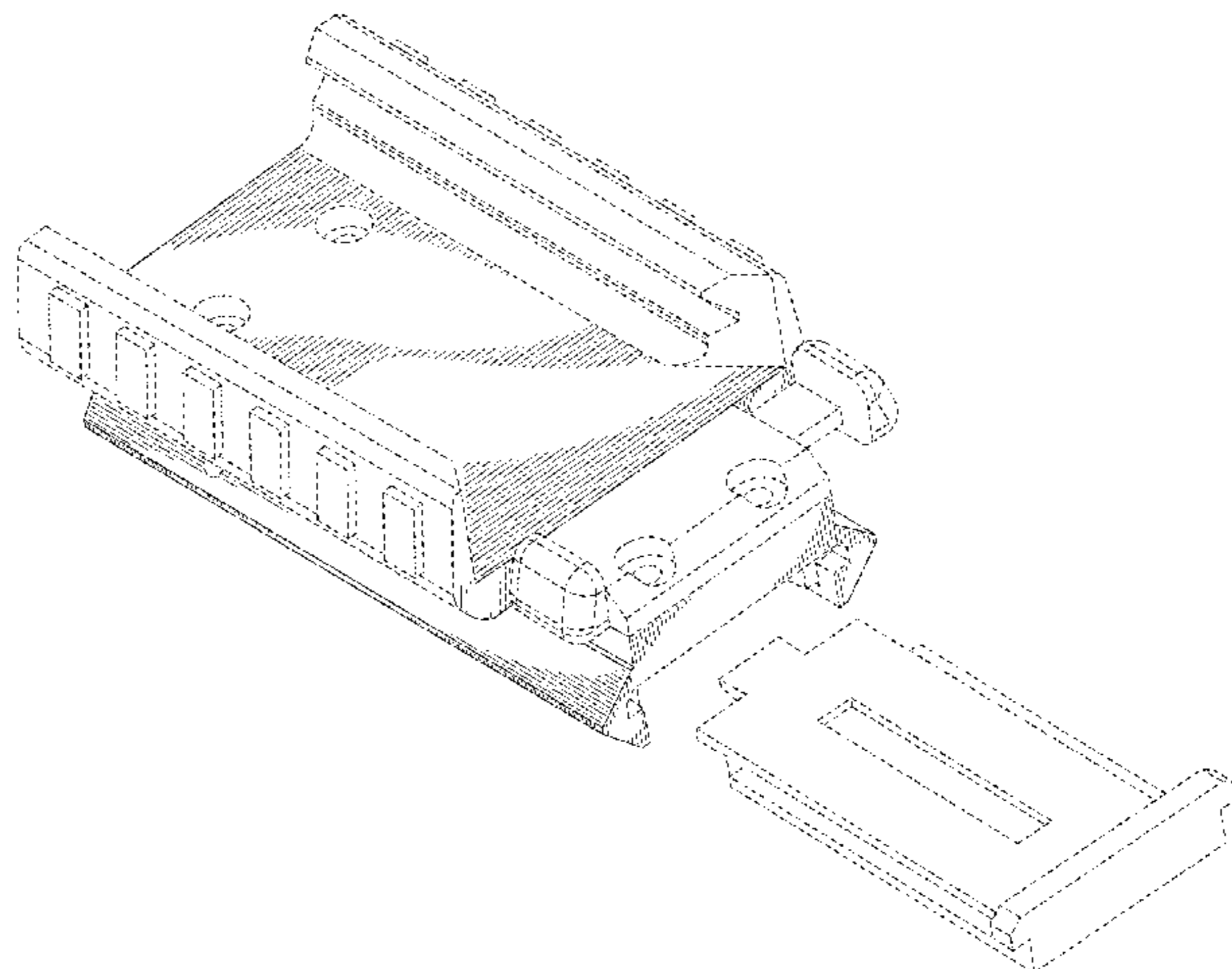
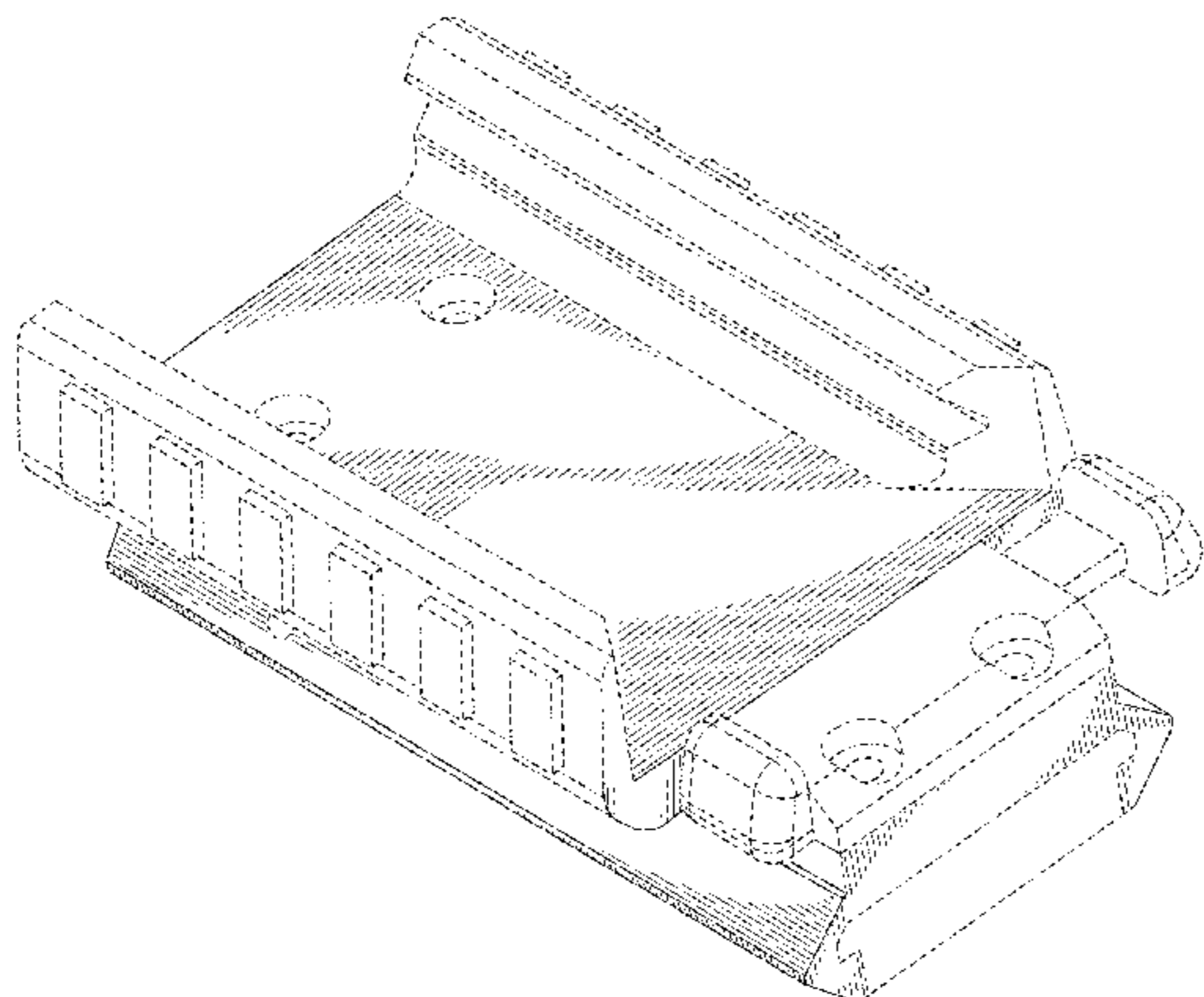
FIG. 2 is a bottom, front, right side isometric view of the embodiment of FIG. 1, with a battery door removed.

FIG. 3 is a top, back, left side isometric view of the embodiment of FIG. 1; and,

FIG. 4 is a top, back, right side isometric view of the embodiment of FIG. 1, with a battery door shown separated therefrom.

The dashed lines in the figures do not form any part of the design sought to be patented.

1 Claim, 4 Drawing Sheets



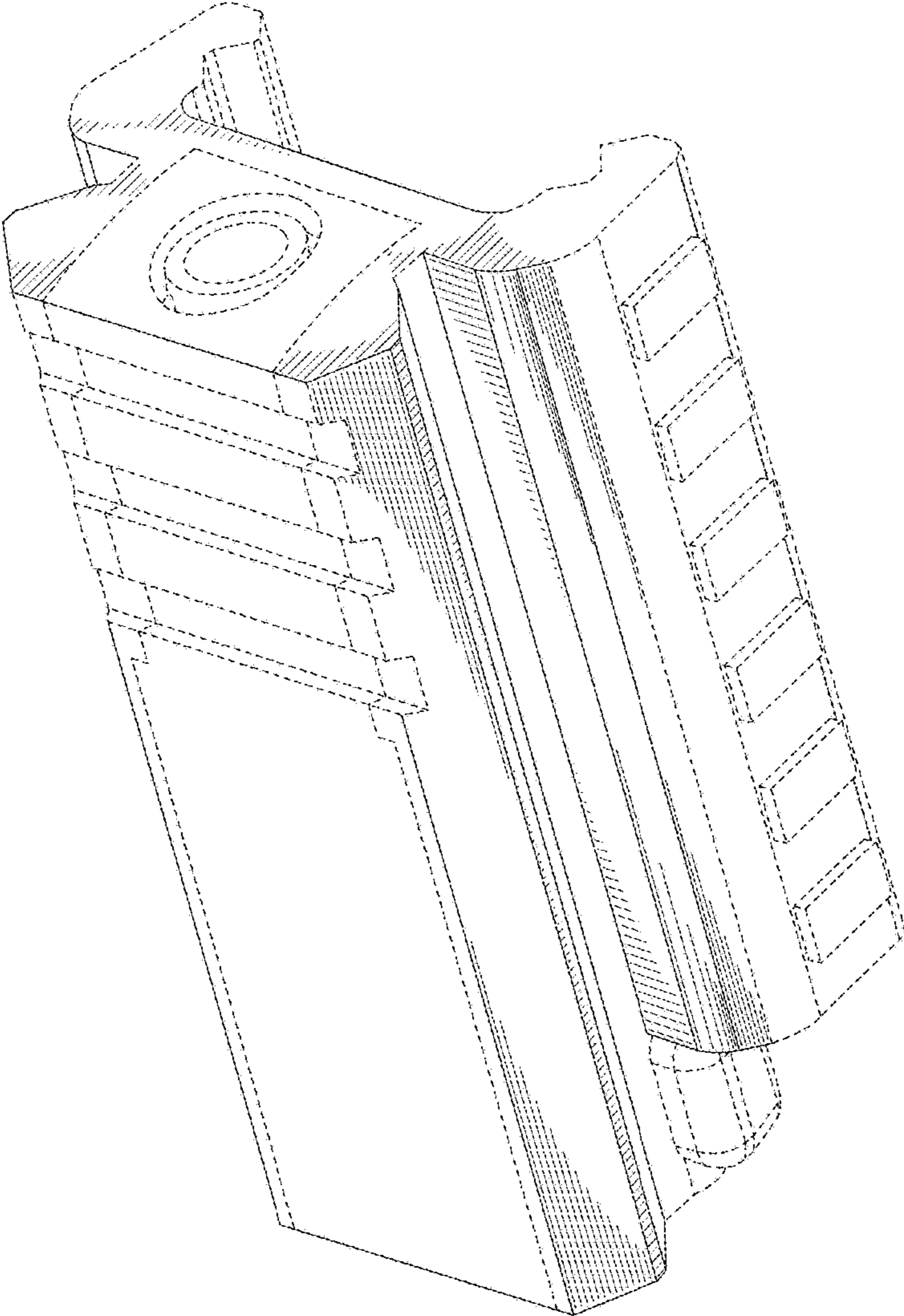


FIG. 1

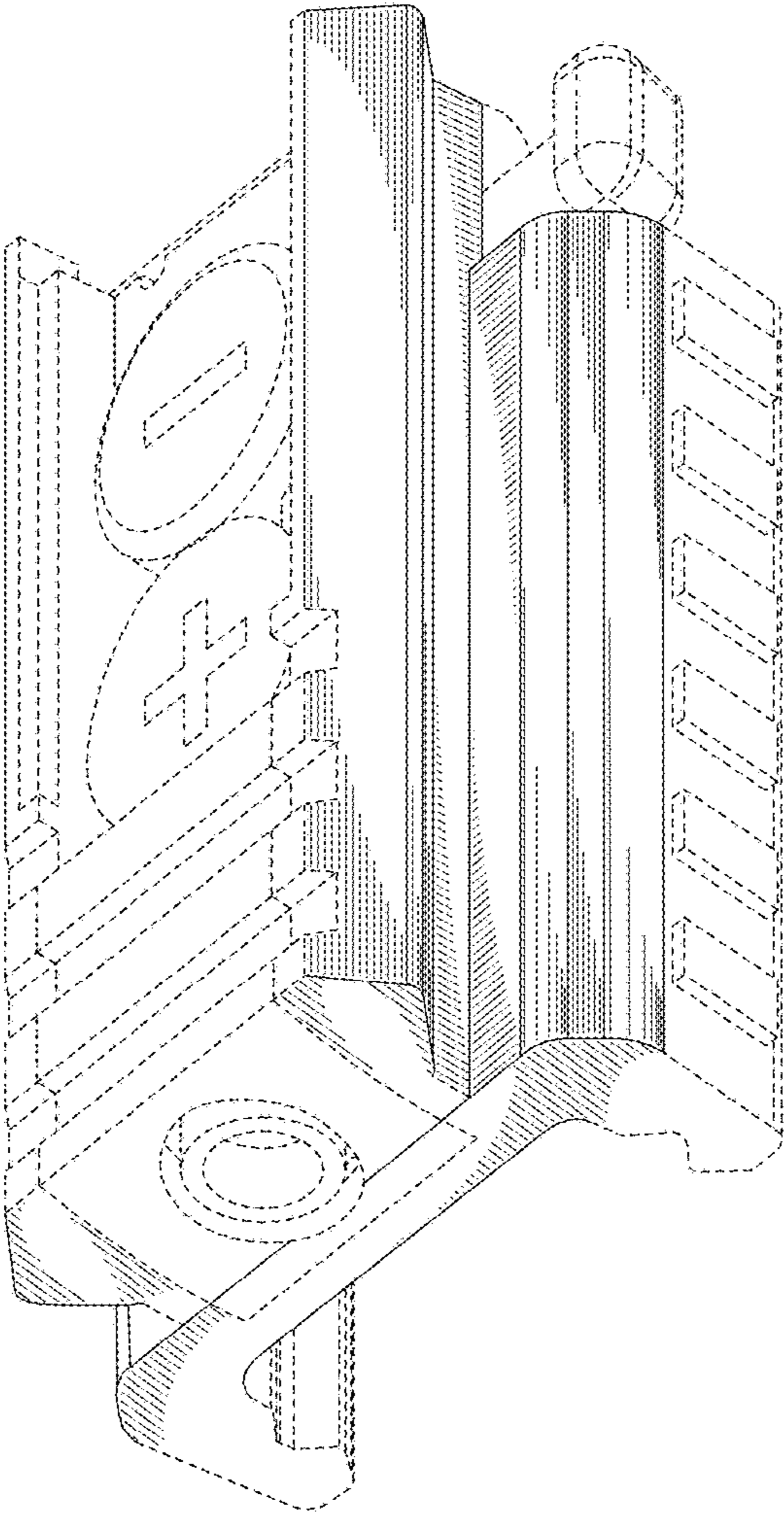


FIG. 2

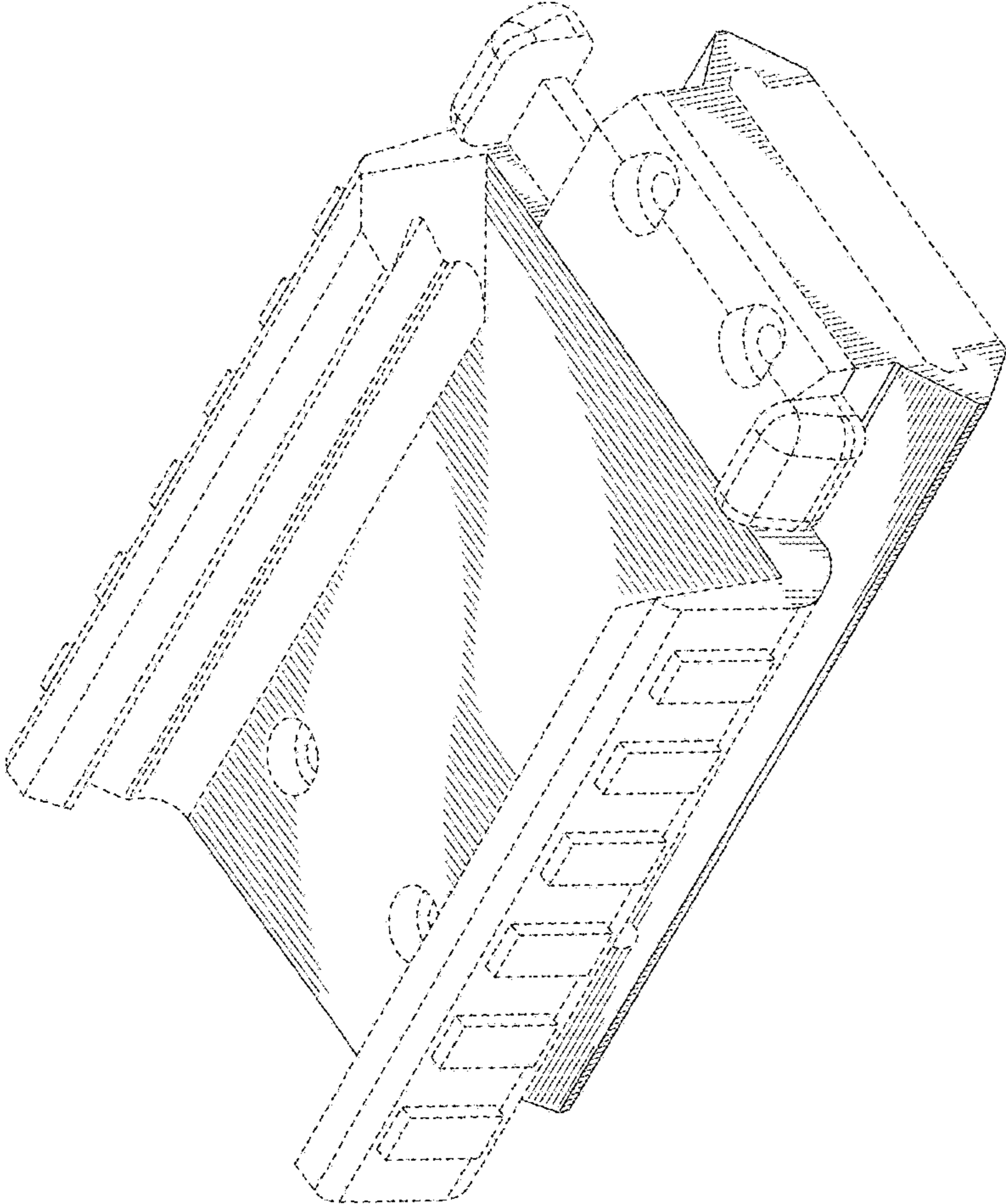


FIG. 3

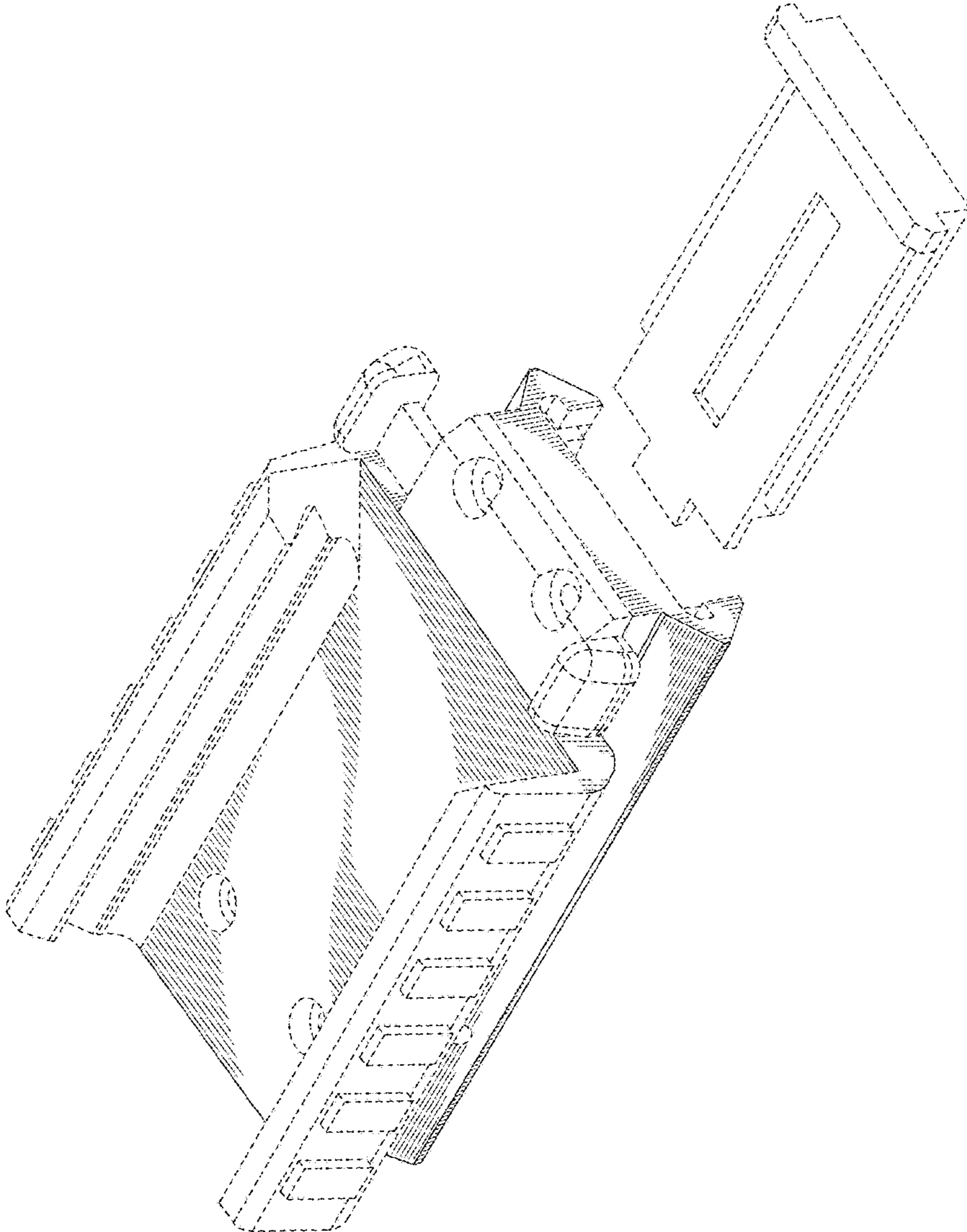


FIG. 4