



US00D878510S

(12) **United States Design Patent**
Chavez

(10) **Patent No.:** **US D878,510 S**
(45) **Date of Patent:** **** Mar. 17, 2020**

(54) **GUNSIGHT**

(71) Applicant: **Bushnell Inc.**, Overland Park, KS (US)

(72) Inventor: **Alejandro Chavez**, Overland Park, KS (US)

(73) Assignee: **BUSHNELL INC.**, Overland Park, KS (US)

(**) Term: **15 Years**

(21) Appl. No.: **29/609,437**

(22) Filed: **Jun. 30, 2017**

(51) **LOC (12) Cl.** **22-01**

(52) **U.S. Cl.**
USPC **D22/109**

(58) **Field of Classification Search**
USPC D22/108-110, 199; D21/572-575
CPC . F41G 11/003; F41G 1/00; F41G 1/16; F41G 1/345

See application file for complete search history.

(56) **References Cited**

U.S. PATENT DOCUMENTS

4,686,770 A	8/1987	Aigner
5,063,677 A	11/1991	Millett
5,193,099 A	3/1993	Chou
5,307,253 A	4/1994	Jehn
5,343,376 A	8/1994	Huang
5,533,292 A	7/1996	Swan
5,584,569 A	12/1996	Huang
5,784,823 A	7/1998	Chen
5,791,766 A	8/1998	Lee
5,803,582 A	9/1998	Hunag
5,838,639 A	11/1998	Hwang
5,918,374 A	7/1999	Campbell et al.
5,993,026 A	11/1999	Wu

6,066,052 A 5/2000 Li
7,472,830 B2 1/2009 Danielson
D586,874 S * 2/2009 Moody D22/109
(Continued)

OTHER PUBLICATIONS

Reviews & Ratings for Bushnell 4.5x40 Equinox Z Digital Night Vision Monocular 10 reviews, posted at Optics Planet, comment posting date Jun. 25, 2014. [online], [site visited Oct. 14, 2016]. <URL:http://www.opticsplanet.com/reviews/reviews-bushnell-3x30-equinox-digital-night-vision-monocular-qcsdm.html> (Year: 2014).*

(Continued)

Primary Examiner — Kevin K Rudzinski
Assistant Examiner — Kathleen L Jones
(74) *Attorney, Agent, or Firm* — Walter M. Egbert, III; Gerard M. Donovan; Reed Smith LLP

(57) **CLAIM**

I claim the ornamental design for a gunsight, as shown and described.

DESCRIPTION

FIG. 1 is a front, left, top perspective view of the gunsight. FIG. 2 is a front, right, top perspective view of the gunsight of FIG. 1.

FIG. 3 is a rear, left, top perspective view of the gunsight of FIG. 1.

FIG. 4 is a rear, right, top perspective view of the gunsight of FIG. 1.

FIG. 5 is a rear, right, top perspective view of the gunsight shown in an alternate position.

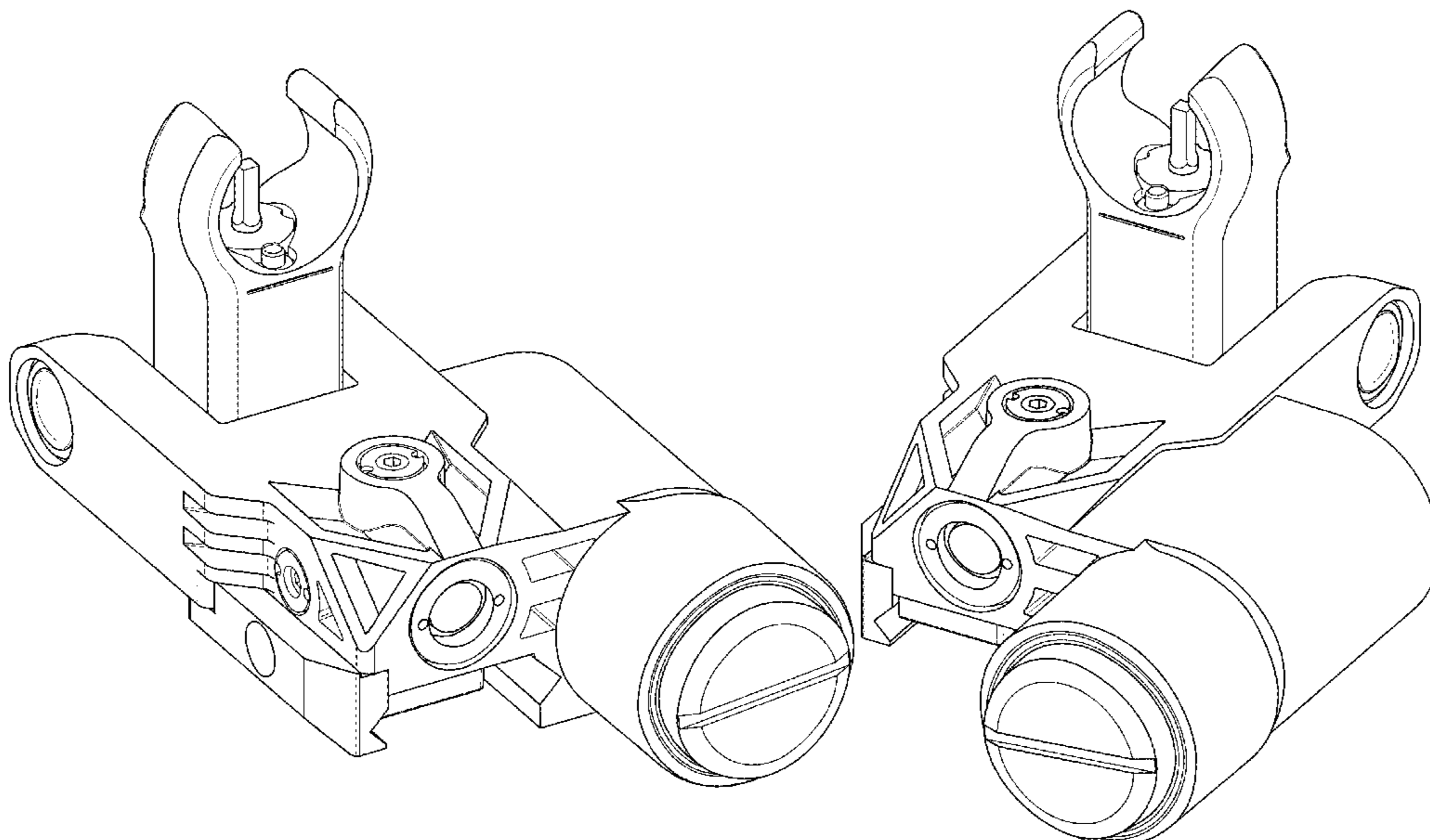
FIG. 6 is a front, left, top perspective view of the gunsight of FIG. 5.

FIG. 7 is a front, right, top perspective view of the gunsight of FIG. 5; and,

FIG. 8 is a rear, left, top perspective view of the gunsight of FIG. 5.

The bottom appearance of the gunsight is not shown in the drawings and forms no part of the claimed design.

1 Claim, 8 Drawing Sheets



(56)

References Cited

U.S. PATENT DOCUMENTS

D615,144 S * 5/2010 Mayberry D22/109
 7,926,218 B2 4/2011 Matthews et al.
 D641,826 S * 7/2011 Larsson D22/109
 8,015,744 B1 9/2011 Swan
 8,037,634 B2 10/2011 Price
 D648,413 S * 11/2011 Mayberry D22/109
 8,191,302 B1 6/2012 Swan
 D682,977 S * 5/2013 Thummel D10/70
 8,484,882 B2 7/2013 Haley et al.
 D696,377 S * 12/2013 Thummel D22/109
 D705,890 S * 5/2014 Fitzpatrick D22/109
 D733,251 S * 6/2015 Hu D22/109
 D733,832 S * 7/2015 Crispin D22/109
 D736,339 S * 8/2015 Fitzpatrick D22/109
 D741,446 S * 10/2015 Cheng D22/109
 D746,405 S * 12/2015 Nemeyer D22/109
 9,267,759 B2 2/2016 Speroni
 9,297,614 B2 3/2016 Moore
 D807,463 S * 1/2018 Warensford D22/109
 D807,464 S * 1/2018 Warensford D22/109

D810,854 S * 2/2018 Lapham, IV D22/109
 D815,239 S * 4/2018 Cheng D22/109
 D820,921 S * 6/2018 Chu D21/573
 D823,147 S * 7/2018 Bainter D10/70
 D830,491 S * 10/2018 Mock D22/109
 D834,133 S * 11/2018 Wright D22/109
 2015/0198414 A1 * 7/2015 Raybman F41G 1/17
 42/111
 2015/0369564 A1 * 12/2015 Wilson F41G 11/003
 42/111
 2017/0350674 A1 * 12/2017 Odle F41G 1/01
 2018/0003462 A1 * 1/2018 Chavez F41G 1/345
 2019/0017784 A1 * 1/2019 Smith F41G 11/003
 2019/0226802 A1 * 7/2019 Wheeler F41G 1/16
 2019/0324260 A1 * 10/2019 Hamilton F41G 1/345

OTHER PUBLICATIONS

“Barska Front Sight with Integrated Red Laser Sight”, <https://www.amazon.com/Barska-Fron-Sight-Integrated-Laser/dp/B00A7AB8GI>, (Feb. 2, 2013) 1 page.

* cited by examiner

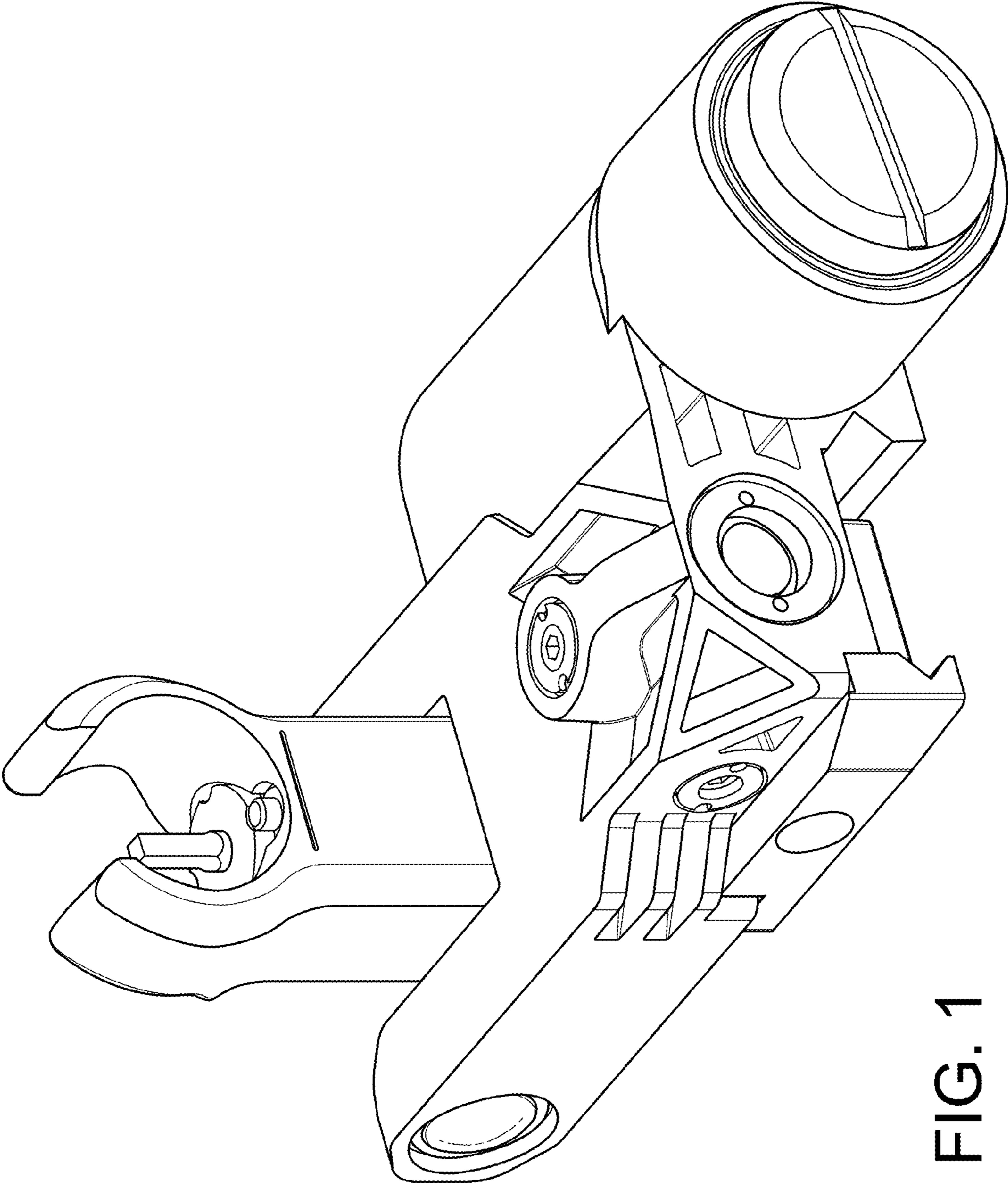


FIG. 1

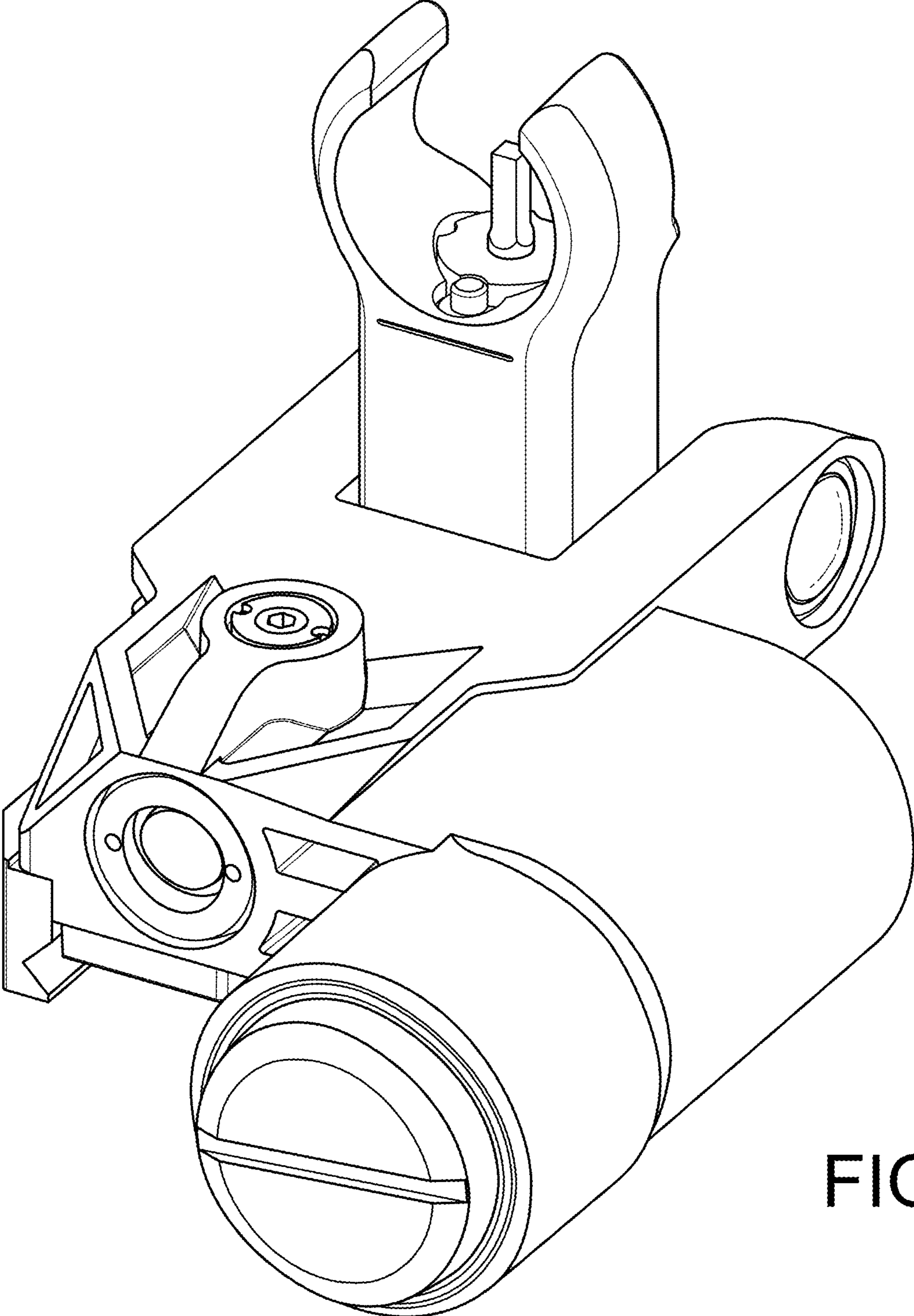


FIG. 2

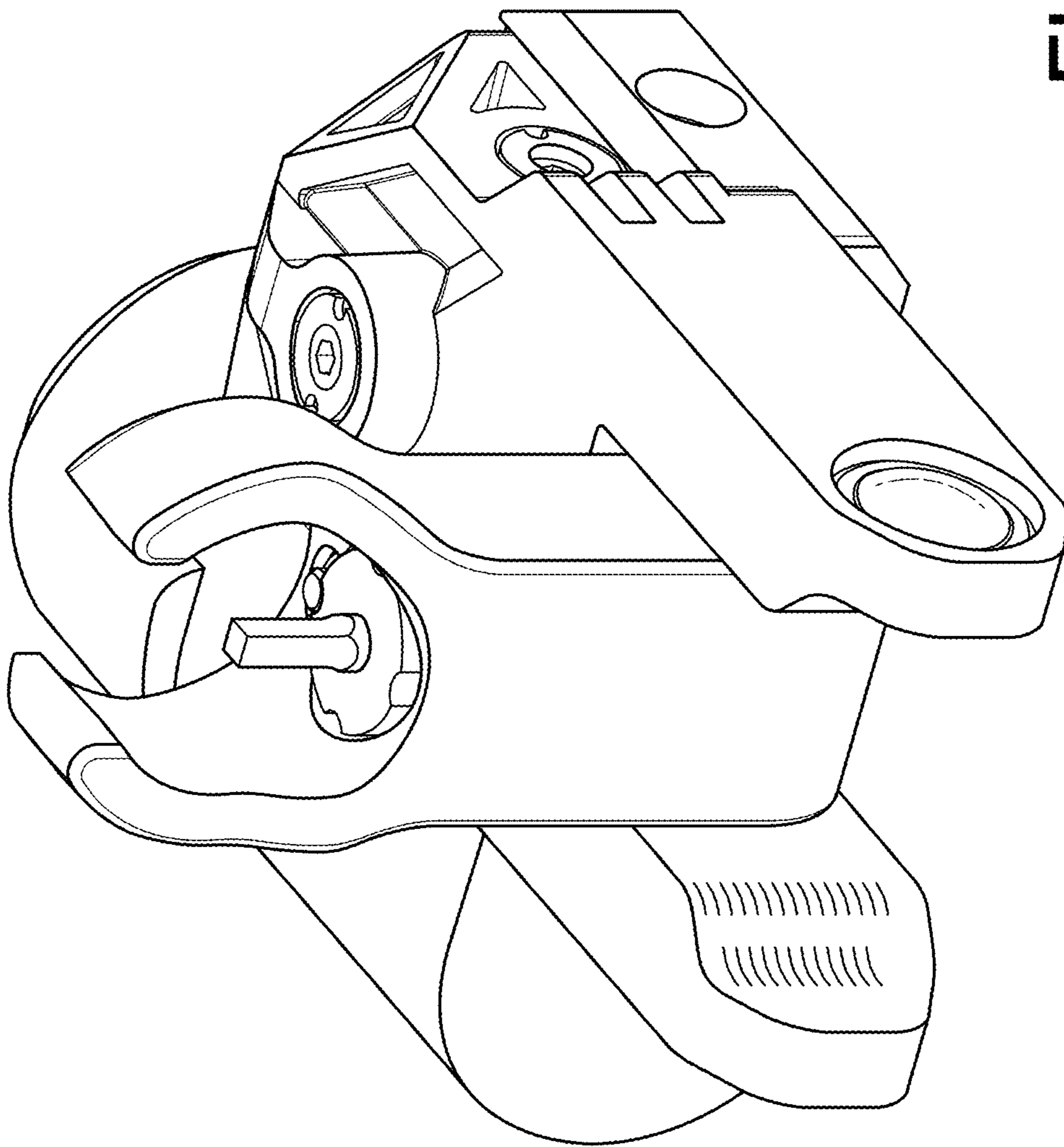


FIG. 3

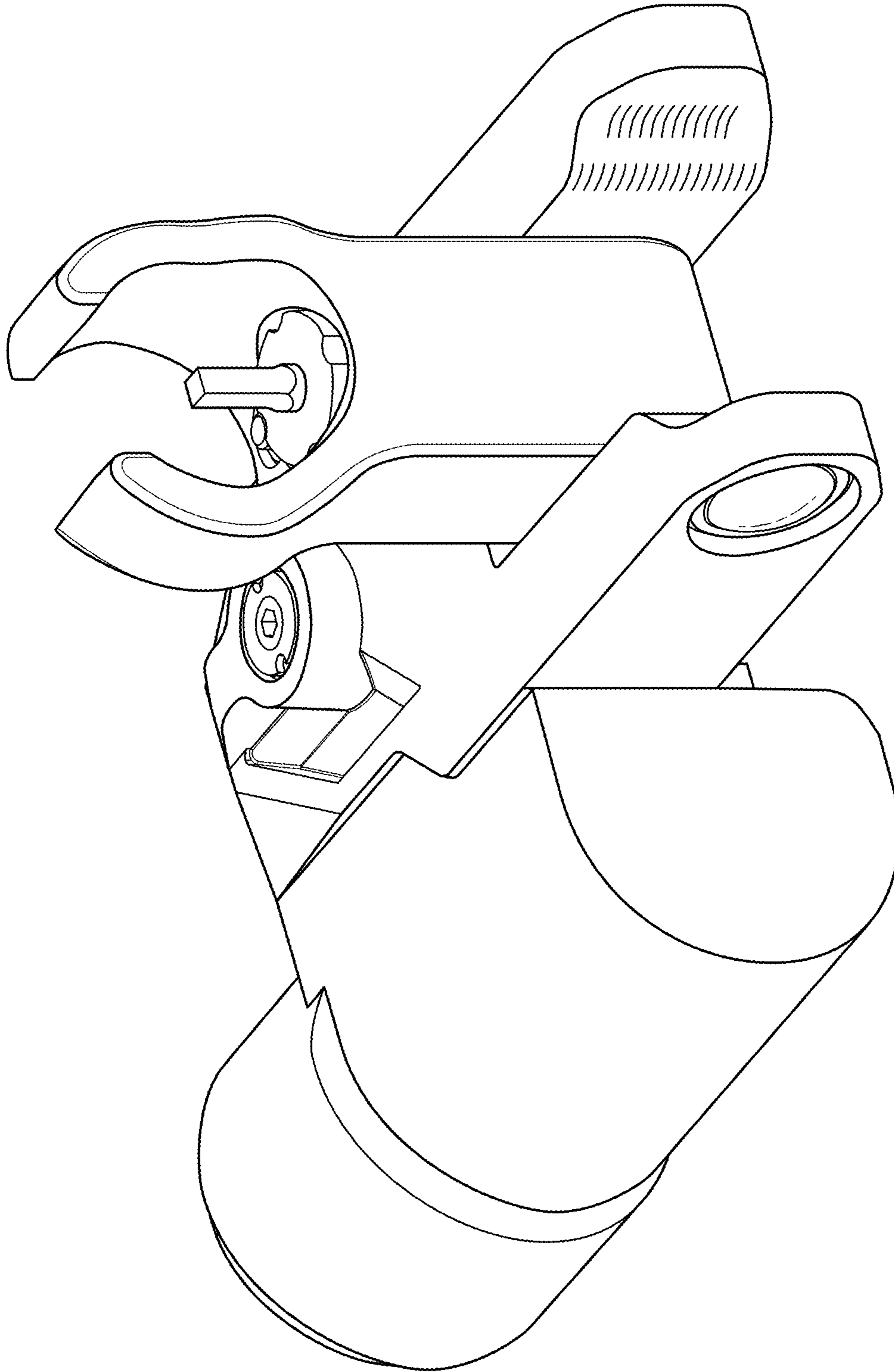


FIG. 4

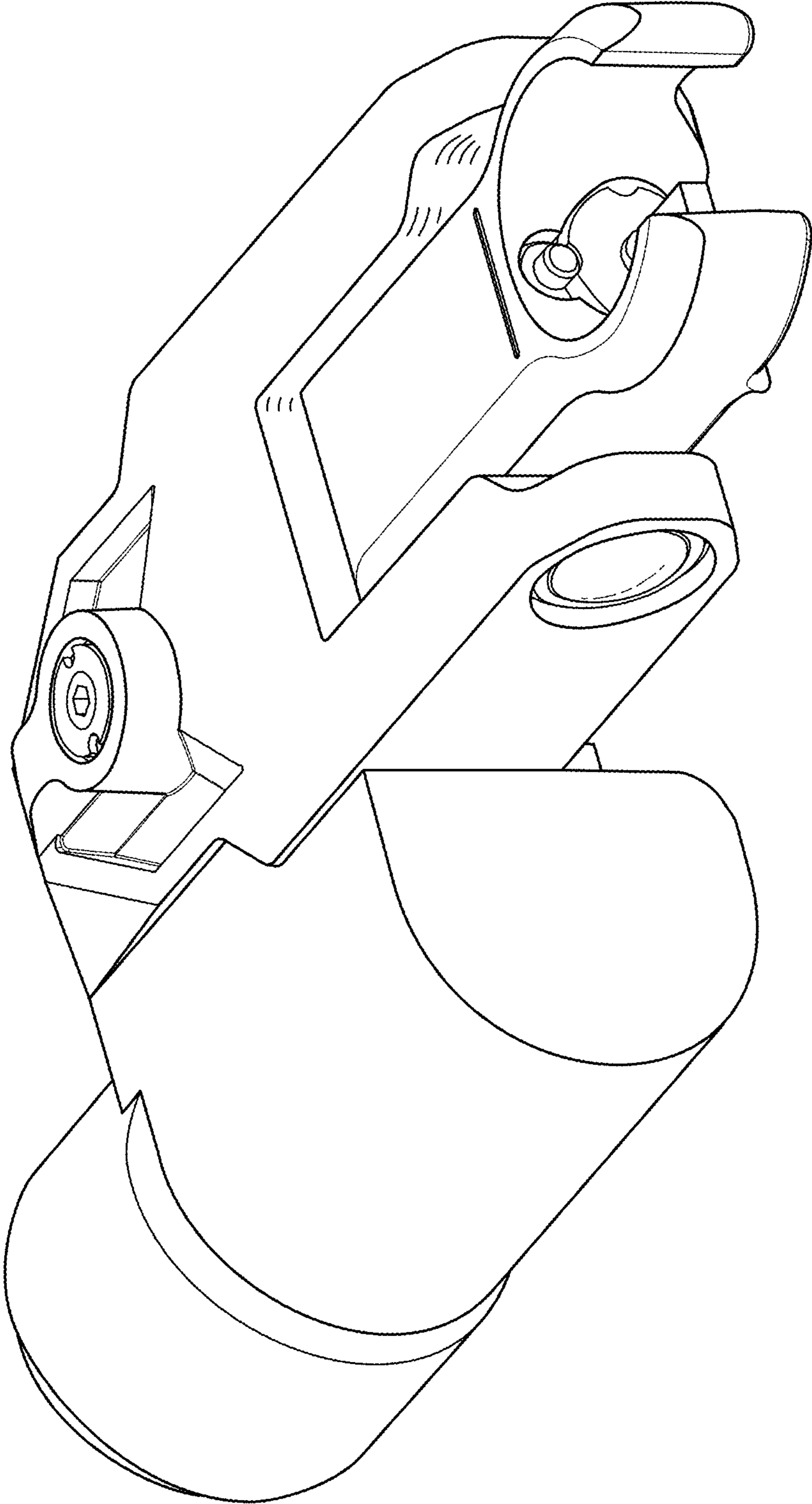


FIG. 5

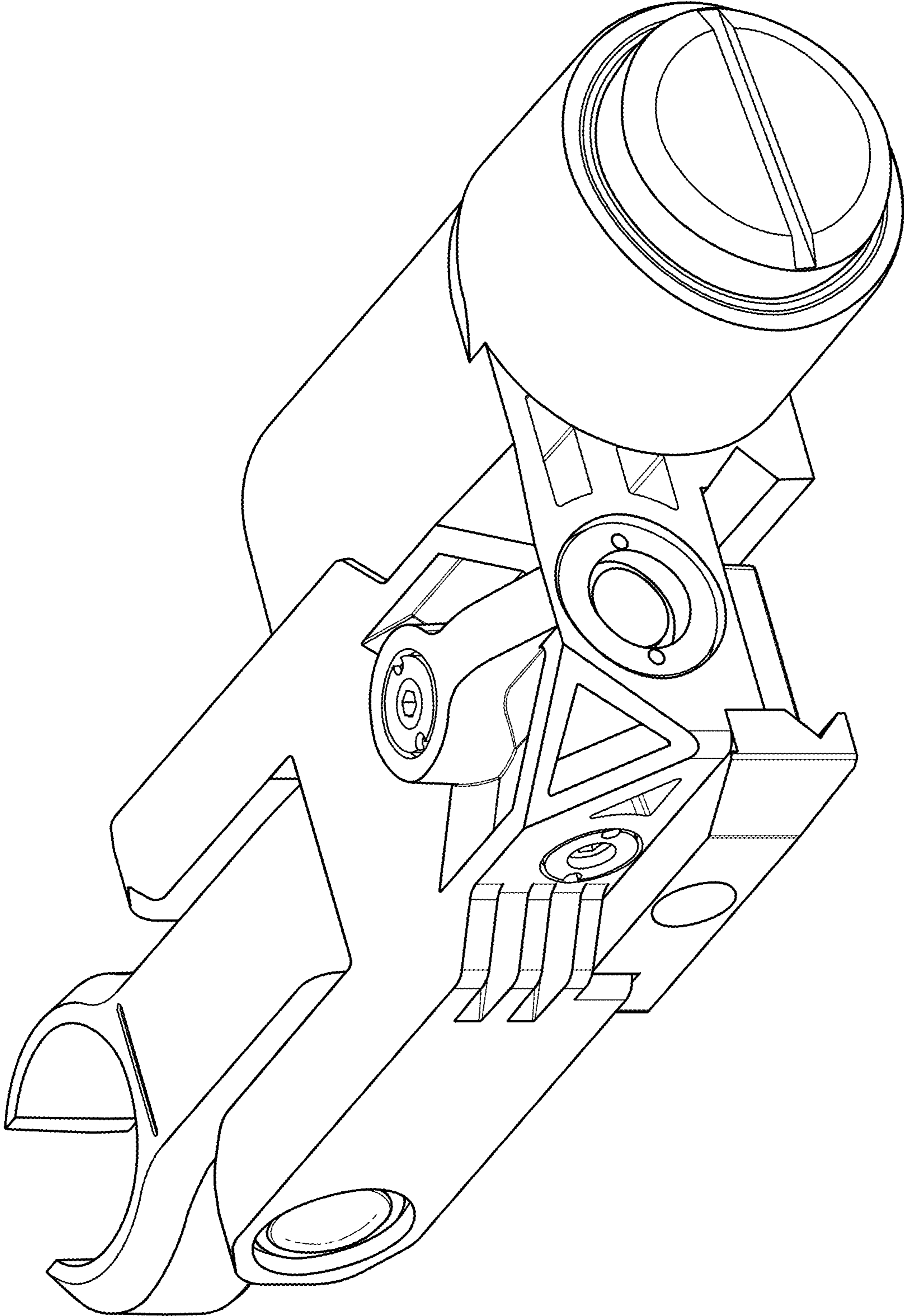


FIG. 6

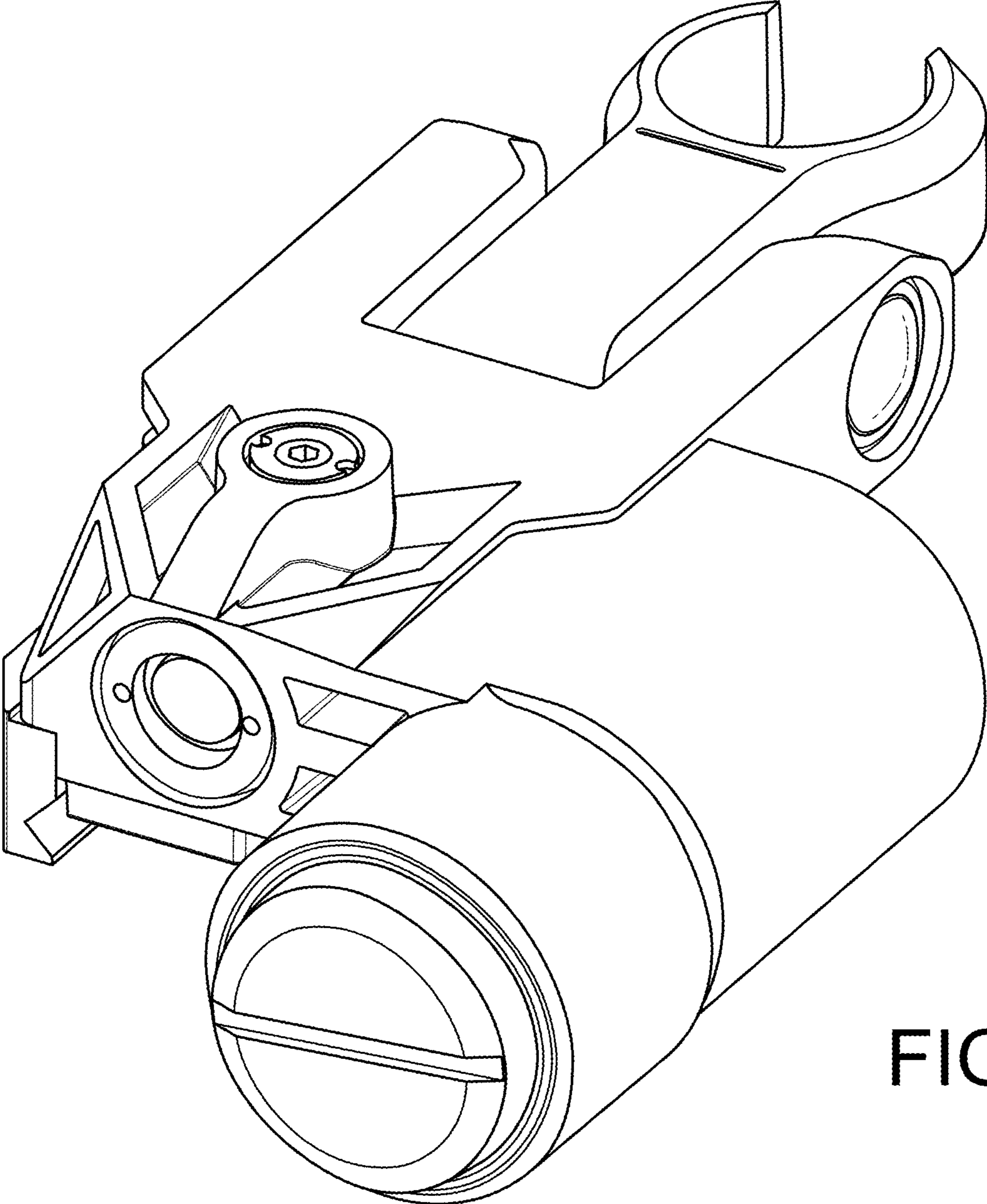


FIG. 7

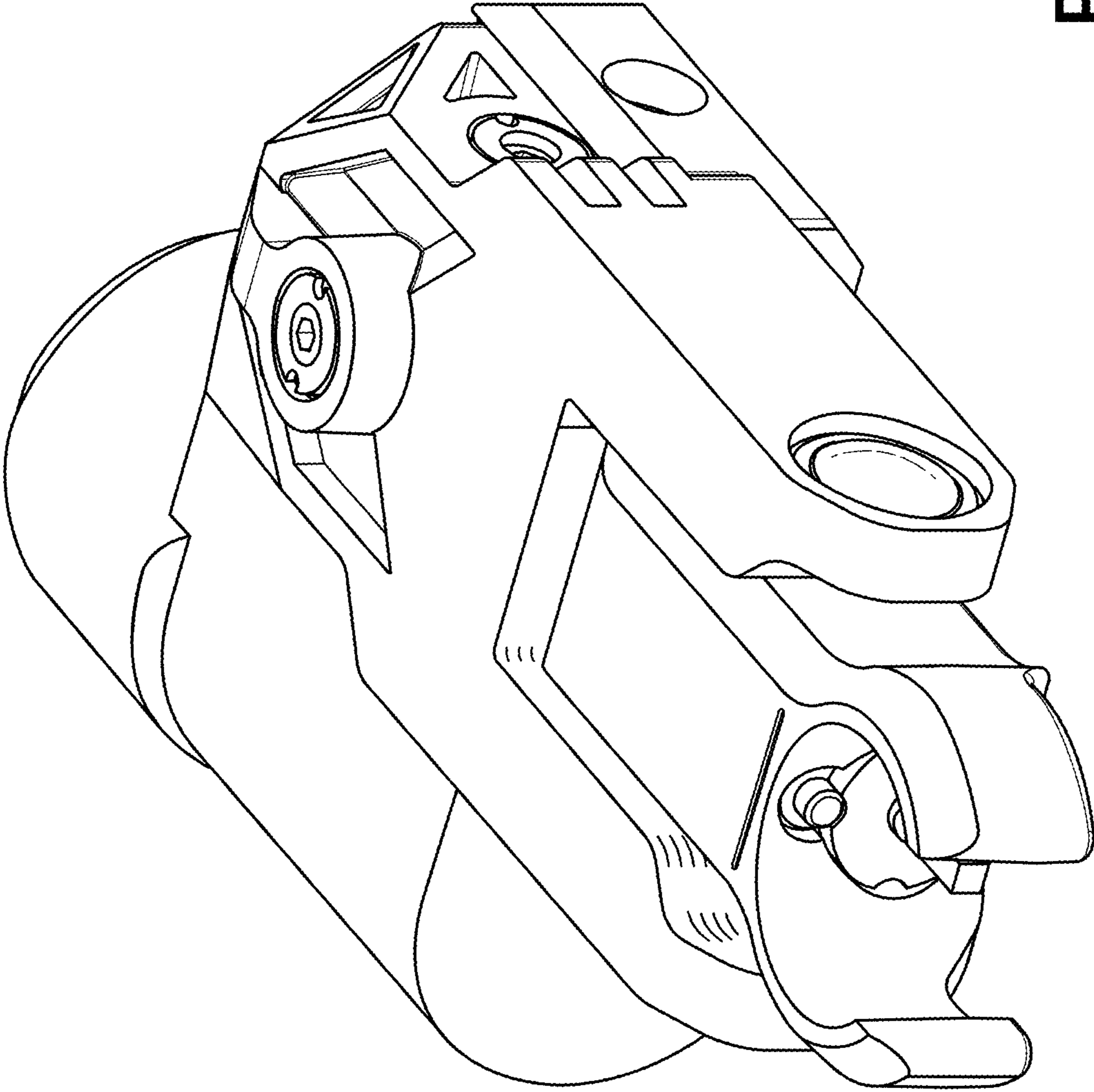


FIG. 8