



US00D878509S

(12) **United States Design Patent** (10) **Patent No.:** **US D878,509 S**
Storch (45) **Date of Patent:** **** Mar. 17, 2020**

(54) **FIREARM ACCESSORY MOUNT ADAPTER**

2011/0076095 A1* 3/2011 Storch F41C 27/00
403/322.4
2012/0198990 A1* 8/2012 Brittin F41A 5/26
89/191.01
2014/0331538 A1* 11/2014 Spiegelhauer F41C 23/16
42/71.01

(71) Applicant: **Midwest Industries, Inc.**, Waukesha, WI (US)

(72) Inventor: **Troy Storch**, Wales, WI (US)

(Continued)

(73) Assignee: **Midwest Industries, Inc.**, Waukesha, WI (US)

OTHER PUBLICATIONS

(**) Term: **15 Years**

“Midwest Industries MI M-LOK Tactical Handguards/Fore” [online]. David Crane. [Published on Mar. 25, 2018]. Retrieved from the Internet: http://www.defensereview.com/midwest-industries-mi-m-lok-tactical-handguards-forend-rail-tubes-for-the-hk-mp5-mp5k-pdw-type-and-cz-scorpion-9mm-submachine-guns-smgs-sbrs-video.*

(21) Appl. No.: **29/656,908**

(Continued)

(22) Filed: **Jul. 17, 2018**

(51) **LOC (12) Cl.** **22-01**

Primary Examiner — Khawaja Anwar

(52) **U.S. Cl.**

Assistant Examiner — Mojtaba Tehrani

USPC **D22/108**

(74) *Attorney, Agent, or Firm* — Boyle Fredrickson, S.C.

(58) **Field of Classification Search**

(57) **CLAIM**

USPC D22/100–111, 115–116, 119–120, 199;
D21/300, 301, 573–575

The ornamental design for a firearm accessory mount adapter, as shown and described.

CPC . F41G 1/02; F41G 1/027; F41G 1/033; F41G 1/06; F41G 3/26; F41C 23/10; F41C 23/16; F41J 1/00

DESCRIPTION

See application file for complete search history.

FIG. 1 is a top perspective view of a firearm accessory mount adapter, showing my new design; FIG. 2 is a right side elevation view thereof; FIG. 3 is a left side elevation view thereof; FIG. 4 is a bottom plan view thereof; FIG. 5 is a top plan view thereof; and, FIG. 6 is front side elevation view thereof.

(56) **References Cited**

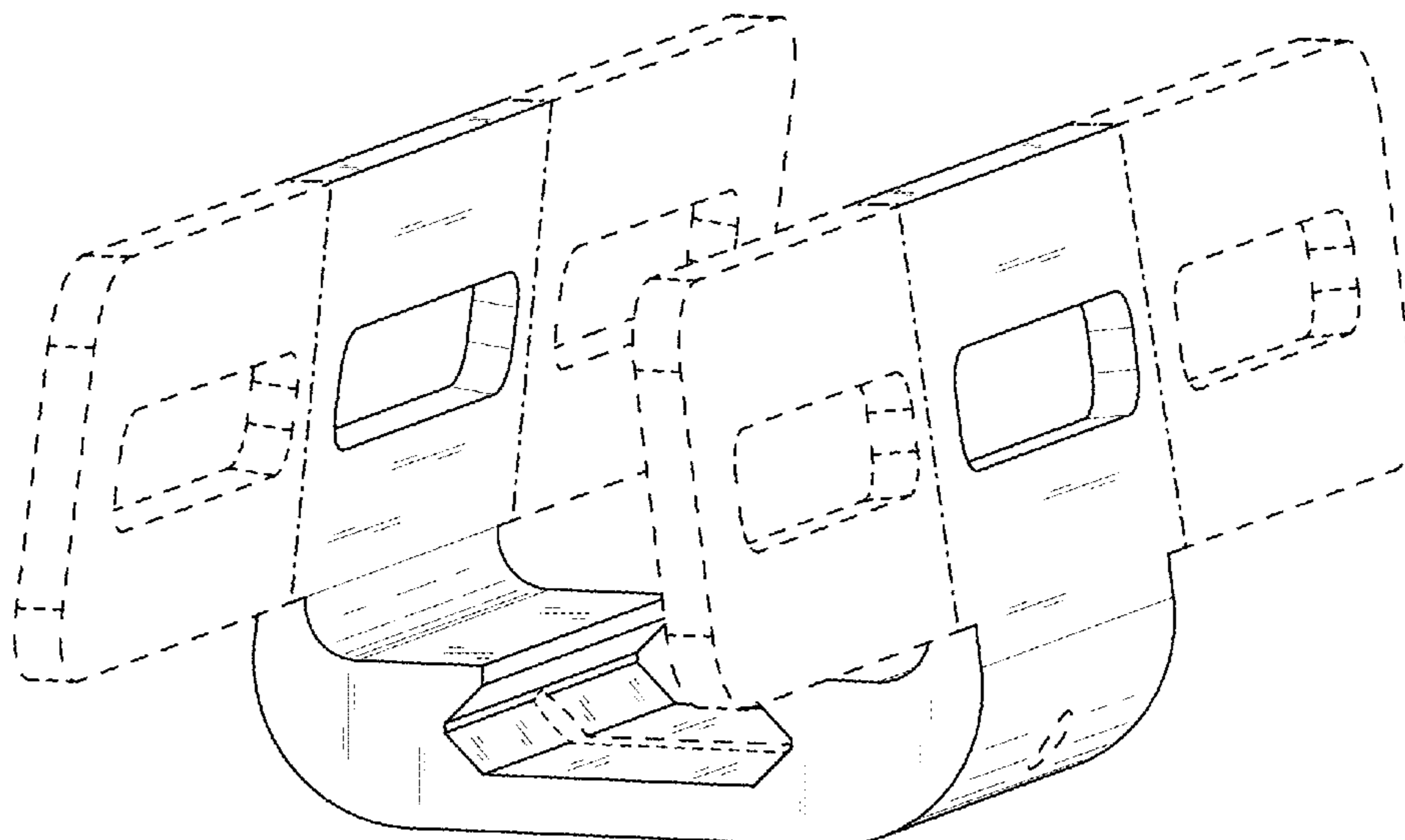
U.S. PATENT DOCUMENTS

D309,255 S *	7/1990	Karow, Jr.	D22/110
D547,262 S *	7/2007	Ullman	D13/102
D625,765 S *	10/2010	Storch	D22/108
D652,471 S *	1/2012	Storch	D22/110
D659,220 S *	5/2012	Foltz	D22/108
D664,232 S *	7/2012	Storch	D22/108
D667,918 S *	9/2012	Kasanjian-King	D22/108
D756,763 S *	5/2016	Swan	D22/109
D774,616 S *	12/2016	Barrett	D22/108
D787,007 S *	5/2017	Maughn	D22/108
D846,688 S *	4/2019	Storch	D22/108
2007/0039226 A1*	2/2007	Stokes	F41C 23/16 42/146

The rear side elevation view of the firearm accessory mount adapter shown in FIG. 1 is the same as the front side elevation view as shown in FIG. 6.

The broken lines represent unclaimed portions of the invention and therefore form no part of the claimed design. The dash-dot lines are for illustrating boundaries of the claimed portions of the invention and form no part of the claimed design.

1 Claim, 4 Drawing Sheets



(56)

References Cited

U.S. PATENT DOCUMENTS

2015/0192385 A1* 7/2015 Krebs F41C 23/16
42/71.01
2018/0023924 A1* 1/2018 Storch F41G 11/00
42/90

OTHER PUBLICATIONS

“Midwest Industries HK Handguard Installation” [online]. Midwest Industries Inc. [Published on Jul. 11, 2017]. Retrieved from the Internet: <https://www.youtube.com/watch?v=IB3Pp6xkD9E>.*

* cited by examiner

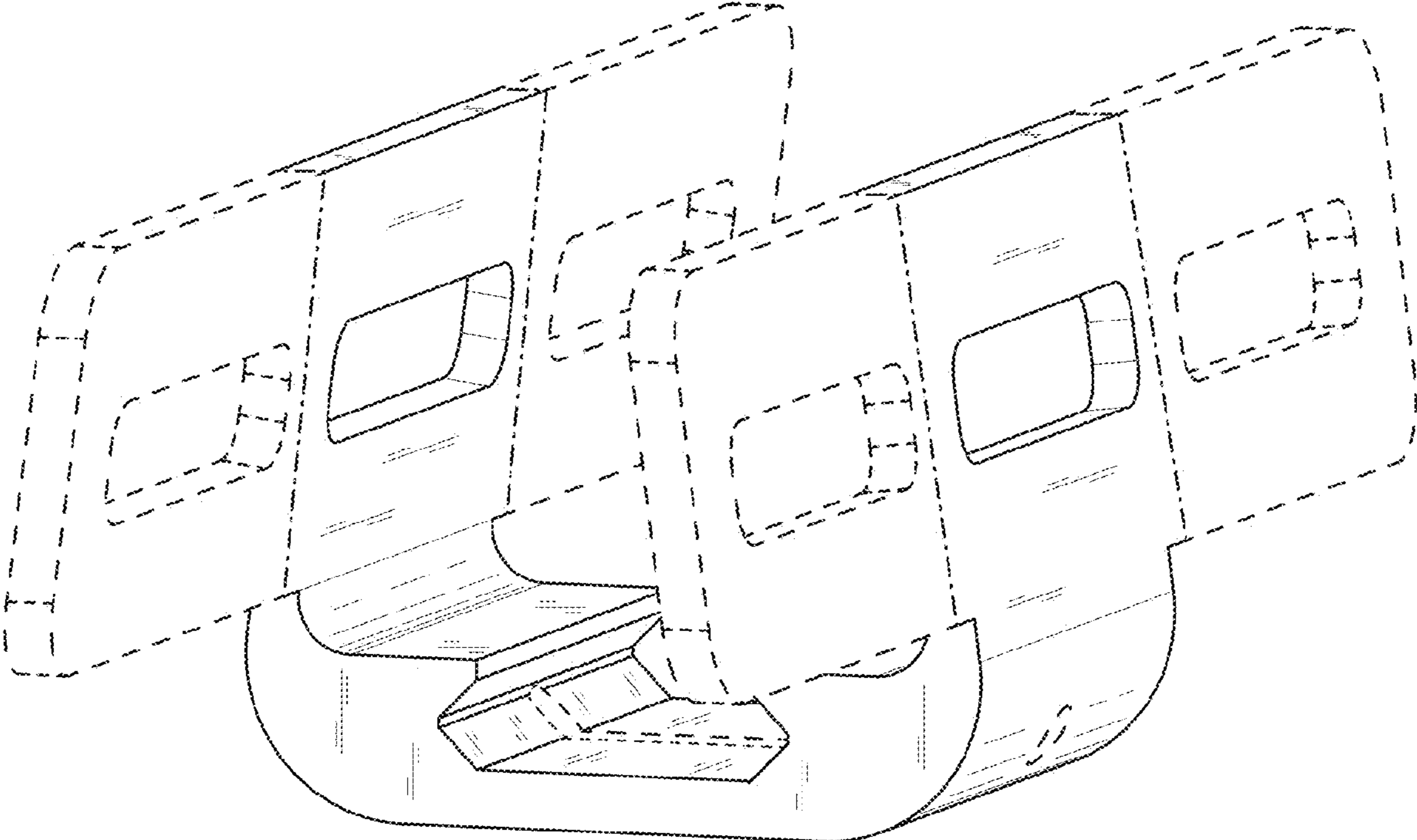


Fig. 1

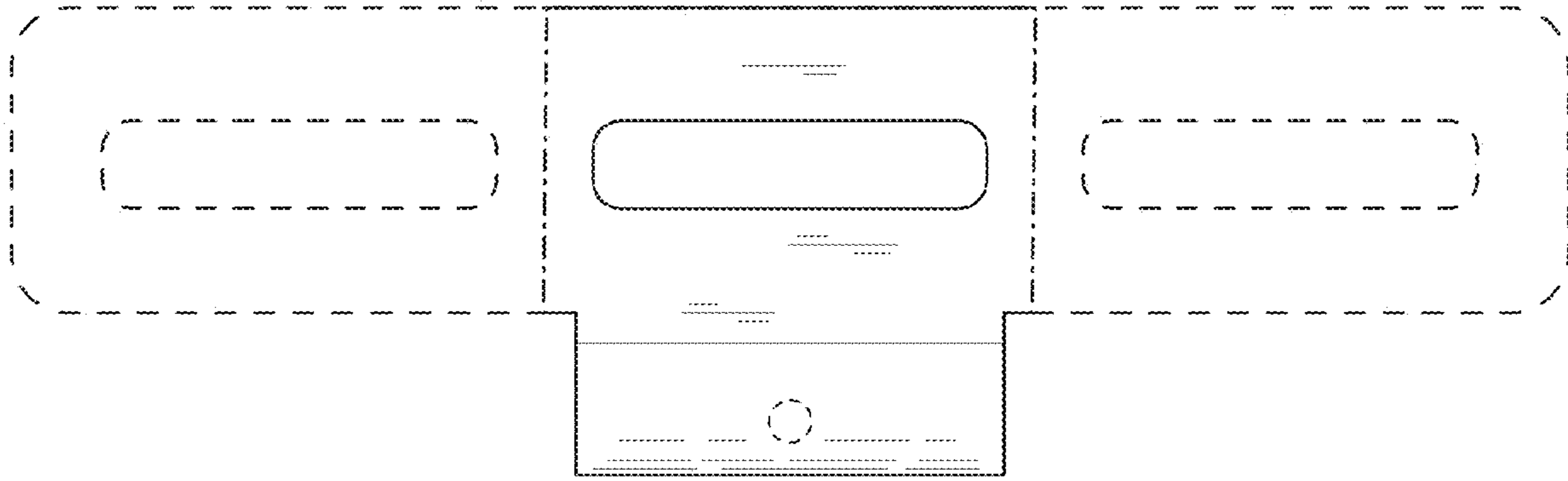


Fig. 2

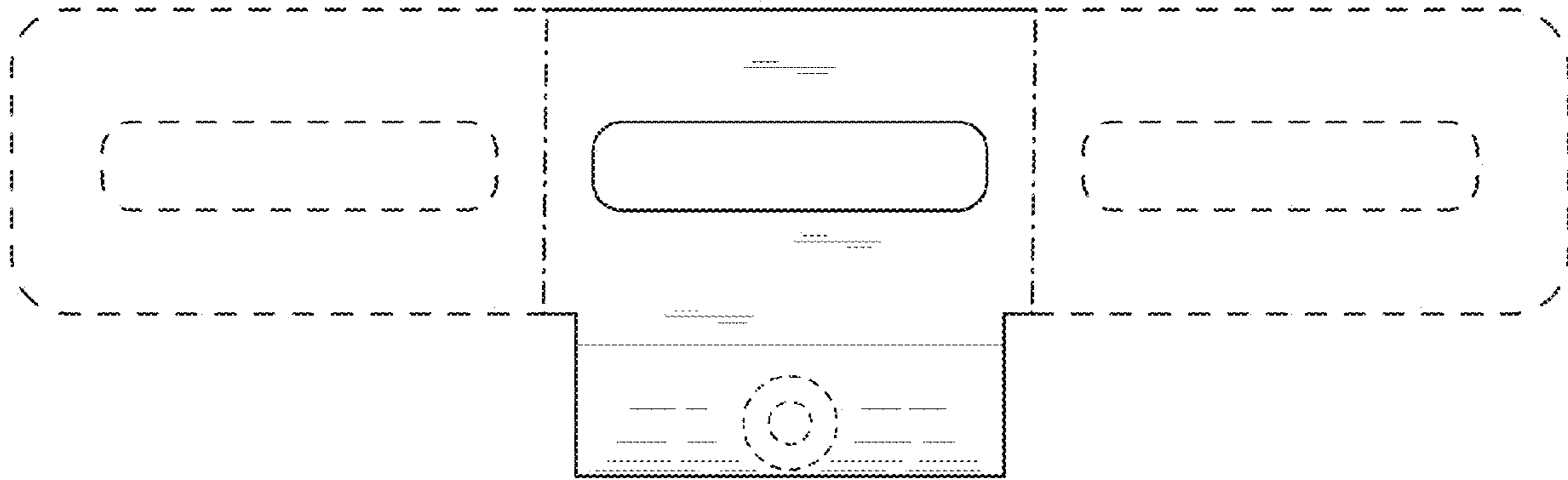


Fig. 3

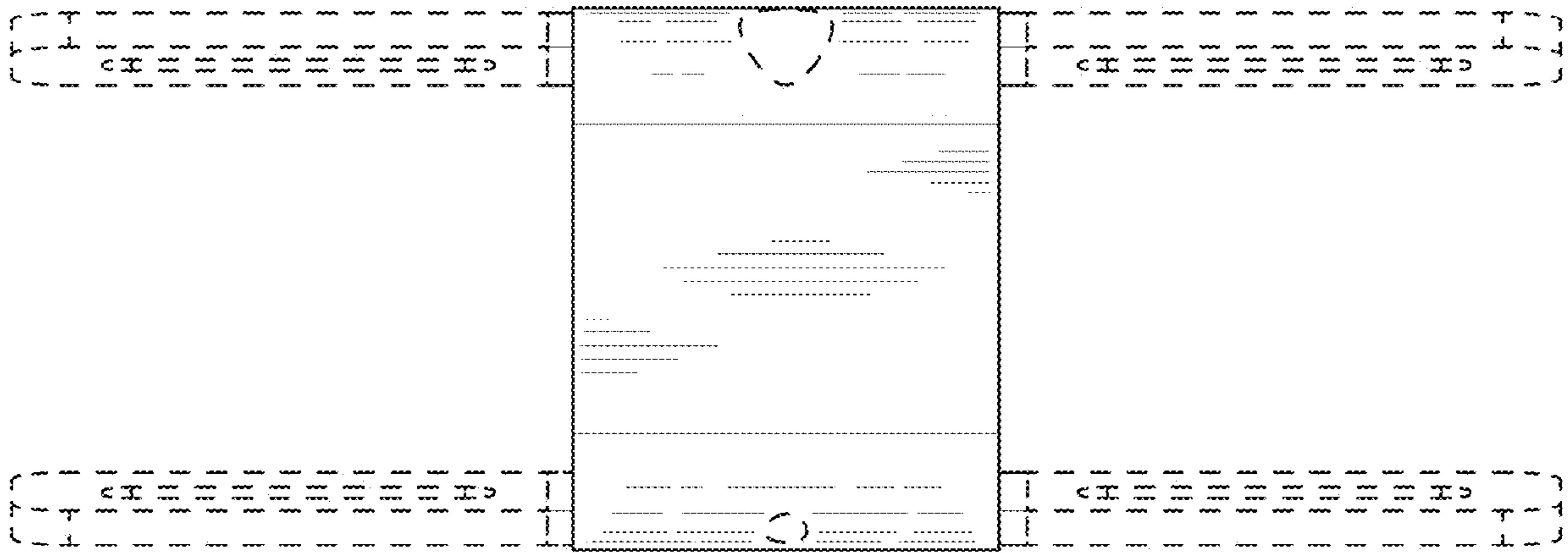


Fig. 4

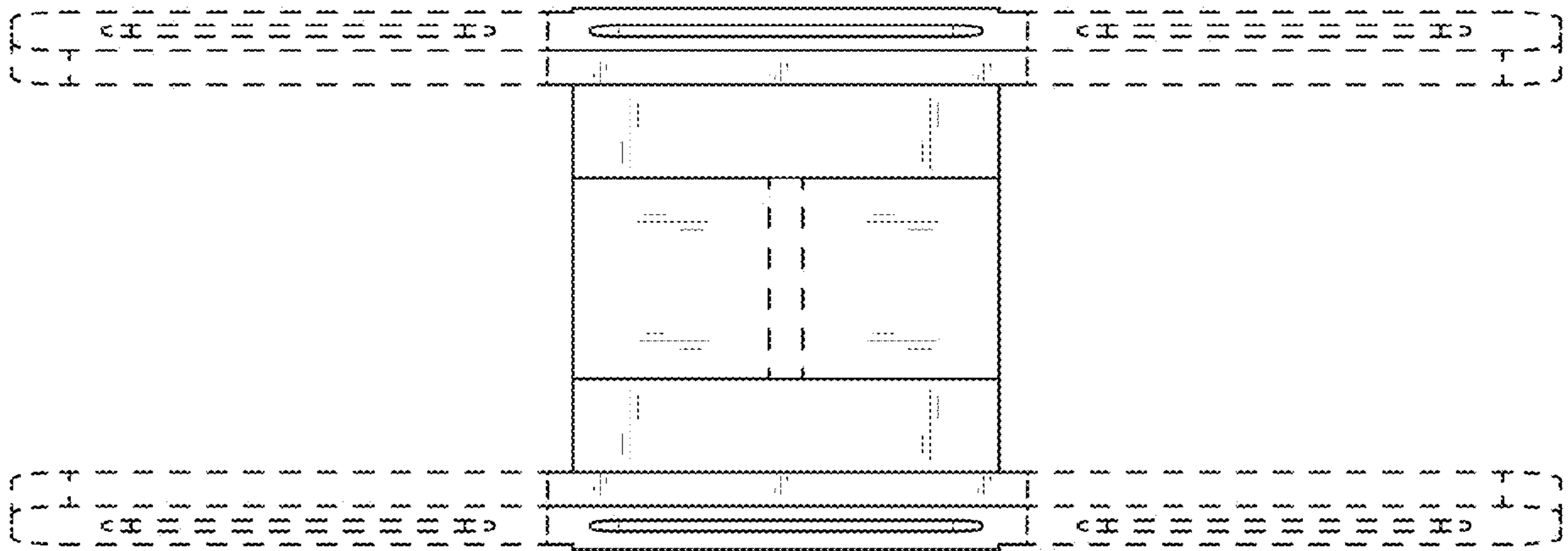


Fig. 5

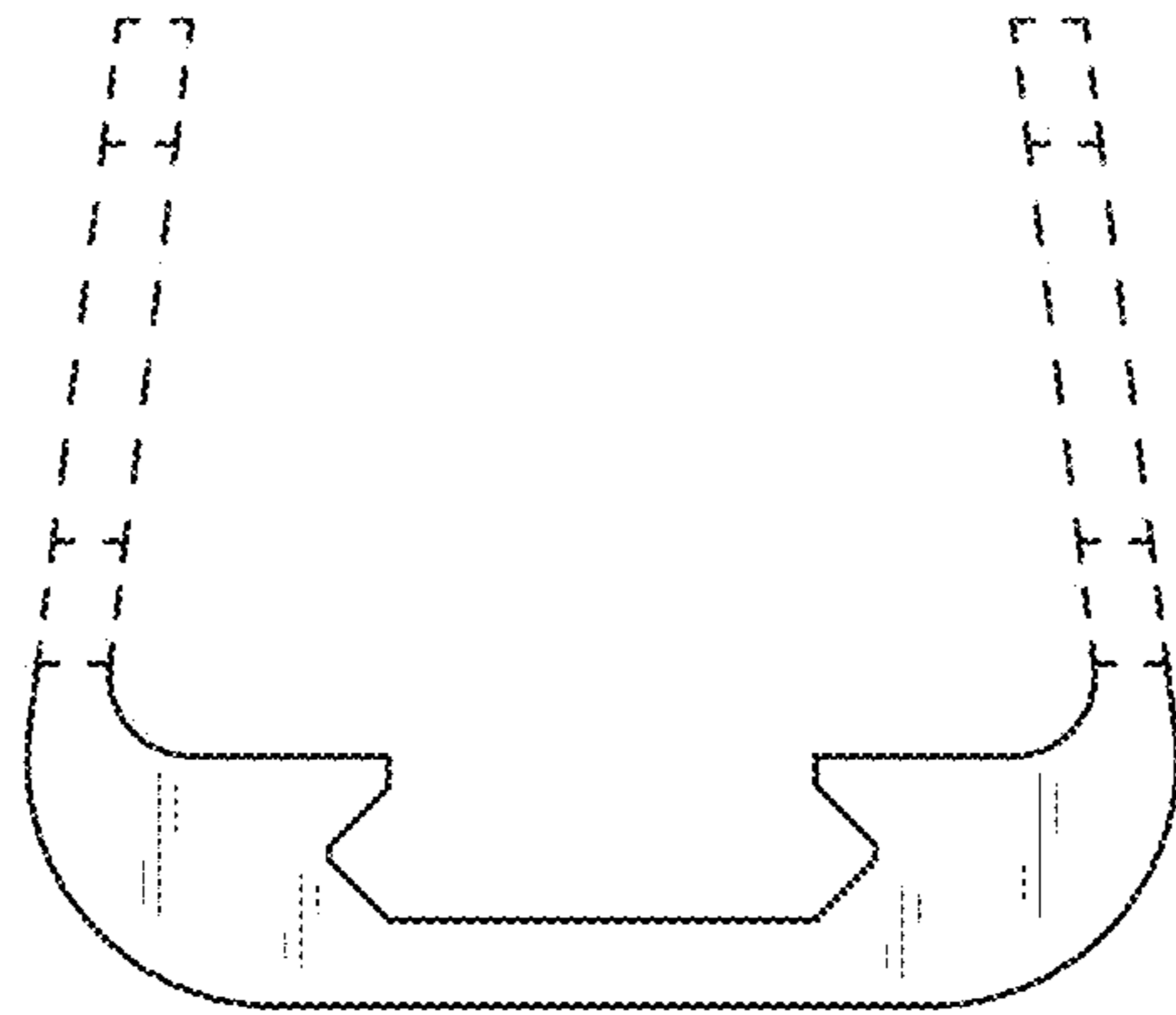


Fig. 6