



US00D878508S

(12) **United States Design Patent**  
**Bertazzon et al.**

(10) **Patent No.:** **US D878,508 S**  
(45) **Date of Patent:** **\*\* Mar. 17, 2020**

- (54) **BUMPER CAR**
- (71) Applicant: **BERTAZZON 3B S.r.l.**, Sernaglia (TV) (IT)
- (72) Inventors: **Michele Bertazzon**, Sernaglia (IT);  
**Alessio Bertazzon**, Farra di Soligo (IT)
- (73) Assignee: **BERTAZZON 3B S.R.L.**, Sernaglia (TV) (IT)
- (\*\*) Term: **15 Years**
- (21) Appl. No.: **29/657,613**
- (22) Filed: **Jul. 24, 2018**
- (30) **Foreign Application Priority Data**

Jan. 31, 2018 (EM) ..... 004687317

- (51) **LOC (12) Cl.** ..... **21-03**
- (52) **U.S. Cl.**  
USPC ..... **D21/833**

- (58) **Field of Classification Search**  
USPC ..... D21/811, 814, 828-833, 533, 548, 424  
CPC .. A63G 25/00; B60L 5/00; B60K 1/00; A63H  
17/00; A63H 17/02; A63H 17/26-17/266;  
A63H 17/36; A63H 17/38; A63H 29/22  
See application file for complete search history.

- (56) **References Cited**  
U.S. PATENT DOCUMENTS

1,664,437 A \* 4/1928 Aurel ..... B60K 1/00  
180/2.1  
1,772,220 A \* 8/1930 Markey ..... A63G 25/00  
180/21  
3,938,828 A \* 2/1976 Hammond ..... B62J 27/00  
280/261

D250,550 S \* 12/1978 Reverchon ..... D21/833  
4,217,975 A \* 8/1980 Barth ..... B60L 5/06  
191/13  
D267,185 S \* 12/1982 Reverchon ..... D21/833  
5,100,173 A \* 3/1992 Kudler ..... A63G 25/00  
180/271  
5,238,265 A \* 8/1993 Duce ..... B60R 21/02  
280/751  
5,484,030 A \* 1/1996 Glenn ..... A63G 25/00  
180/21  
5,516,169 A \* 5/1996 Falk ..... A63G 25/00  
293/107  
D371,975 S \* 7/1996 Dukstra ..... D10/12  
D377,492 S \* 1/1997 Dijkstra ..... D14/168  
7,896,752 B2 \* 3/2011 Yule ..... A63G 21/18  
104/23.2  
8,210,955 B2 \* 7/2012 Yule ..... A63G 21/18  
104/23.2  
D825,683 S \* 8/2018 Liu ..... D21/833

\* cited by examiner

*Primary Examiner* — Mitchell I. Siegel  
(74) *Attorney, Agent, or Firm* — Volpe and Koenig, P.C.

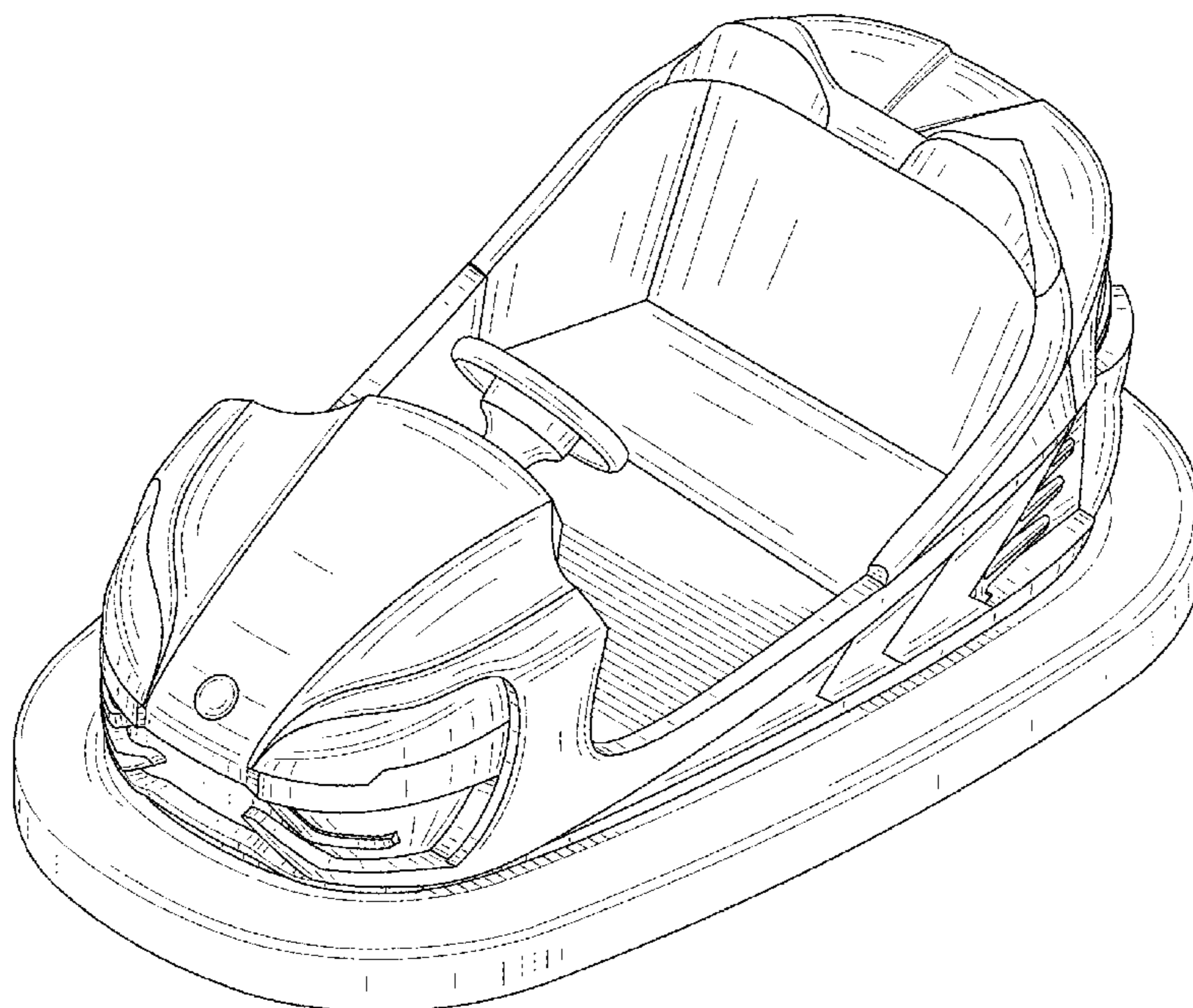
(57) **CLAIM**

The ornamental design for bumper car, as shown and described.

**DESCRIPTION**

FIG. 1 is a front perspective view of our design;  
FIG. 2 is a rear perspective view thereof;  
FIG. 3 is rear elevation view thereof;  
FIG. 4 is a left side elevation view thereof;  
FIG. 5 is a front elevation view thereof;  
FIG. 6 is a right side elevation view thereof; and,  
FIG. 7 is a top plan view of thereof.

**1 Claim, 7 Drawing Sheets**



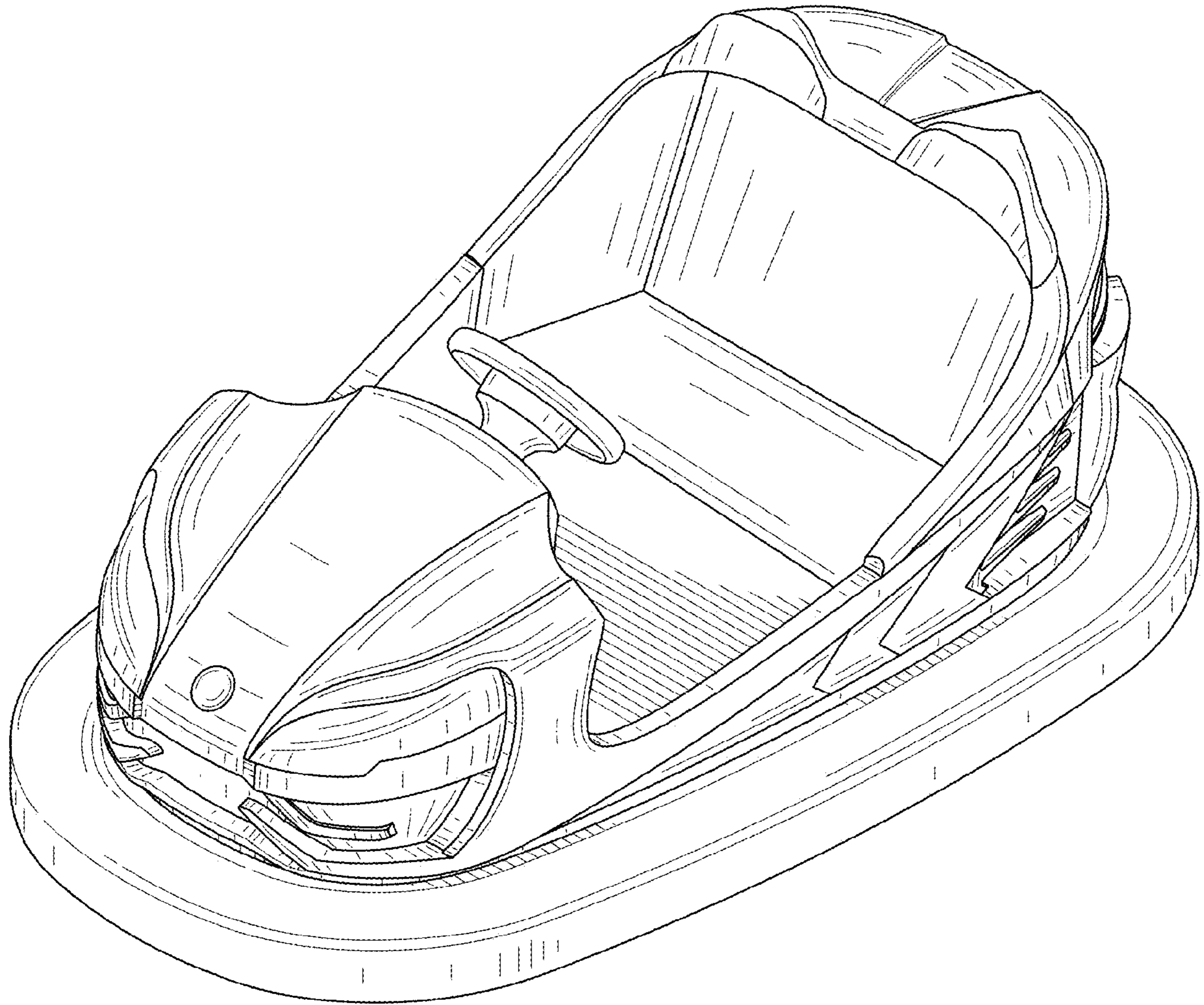


FIG. 1

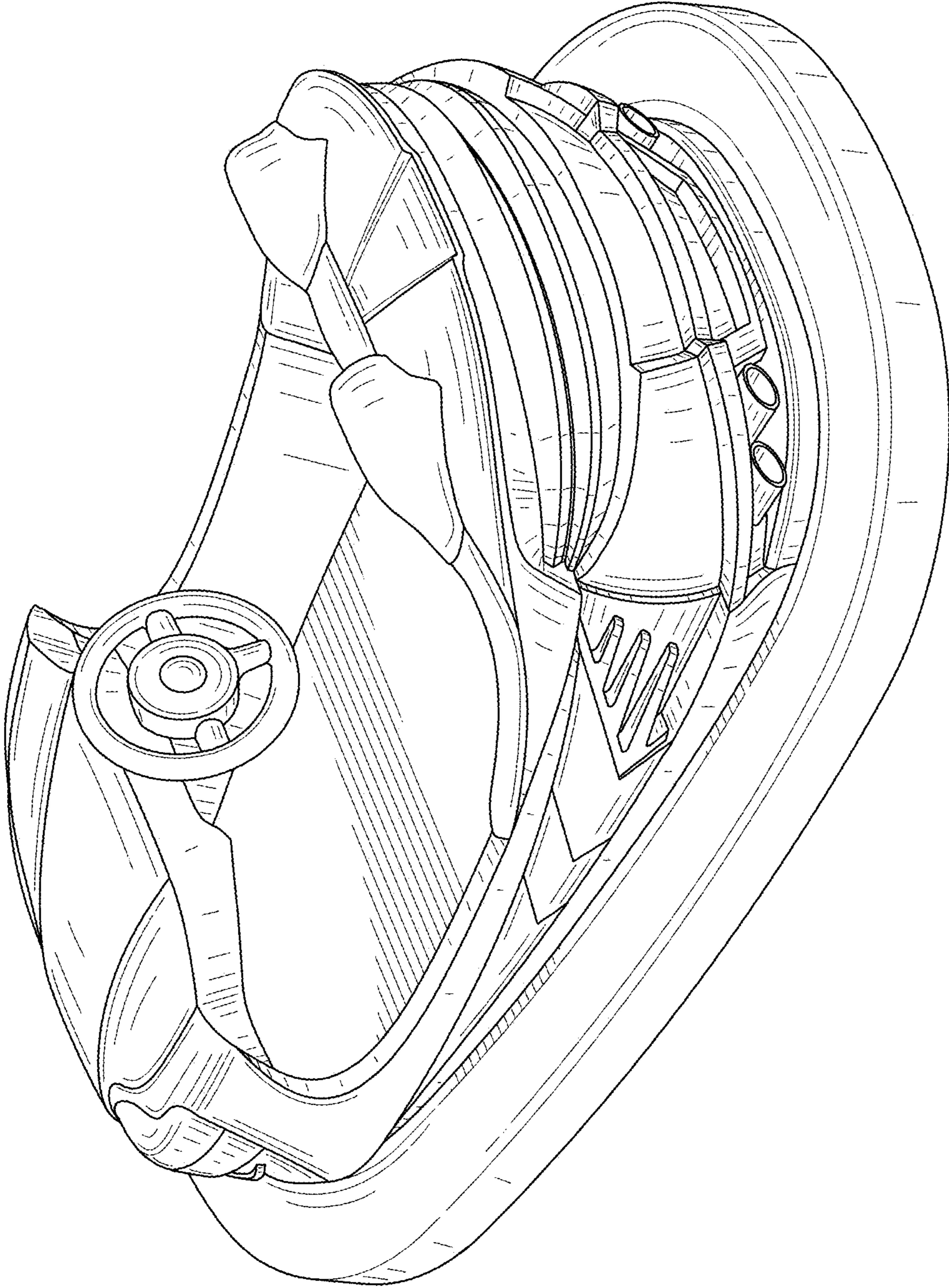


FIG. 2

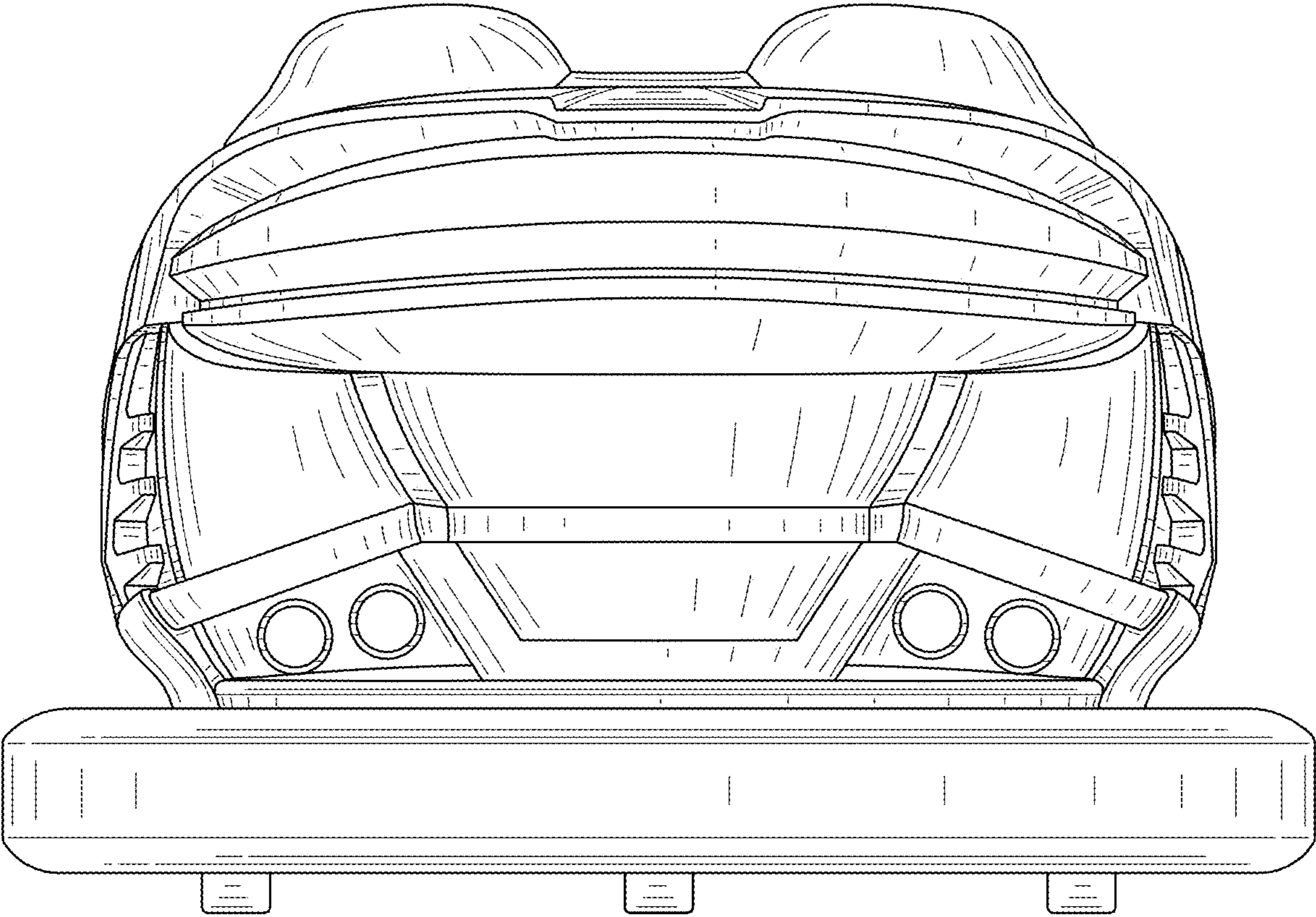


FIG. 3

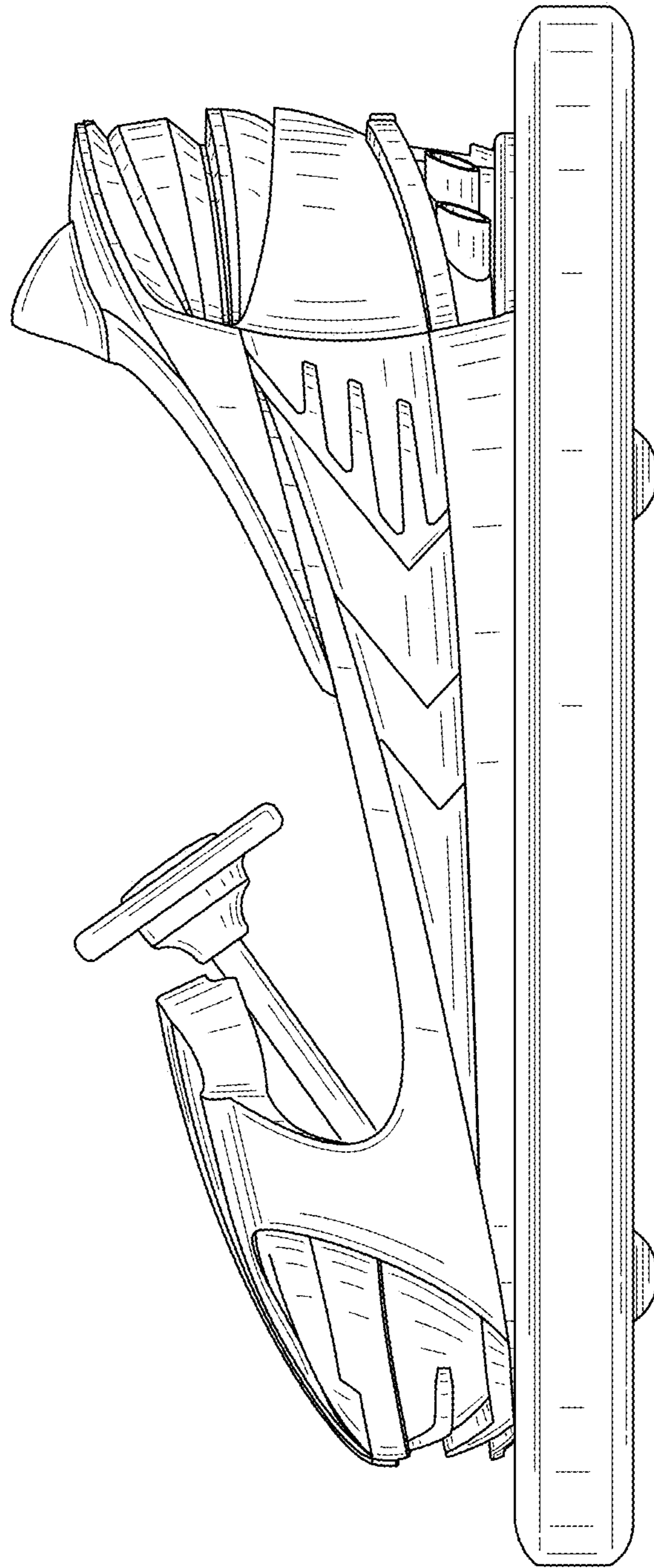


FIG. 4

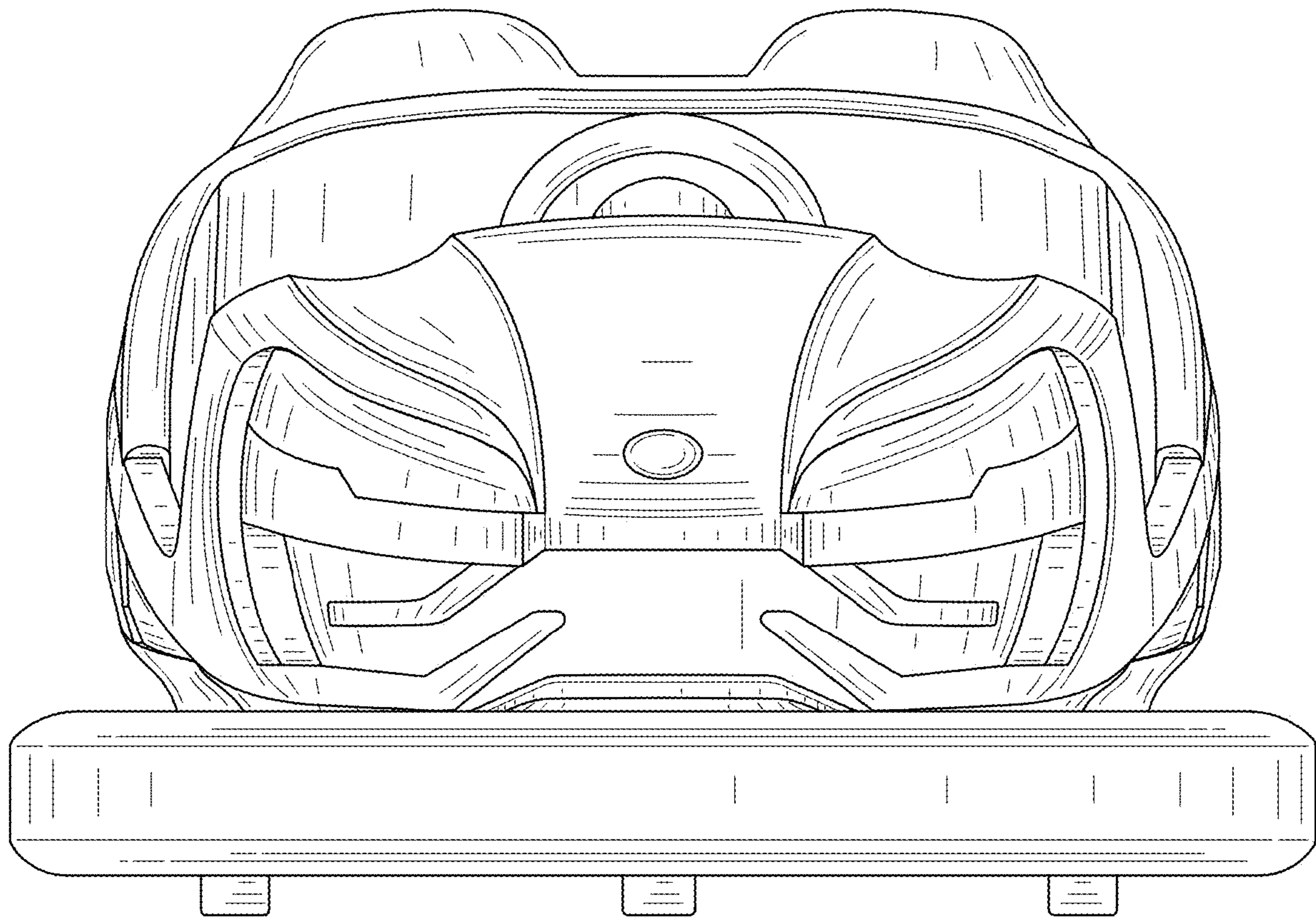


FIG. 5

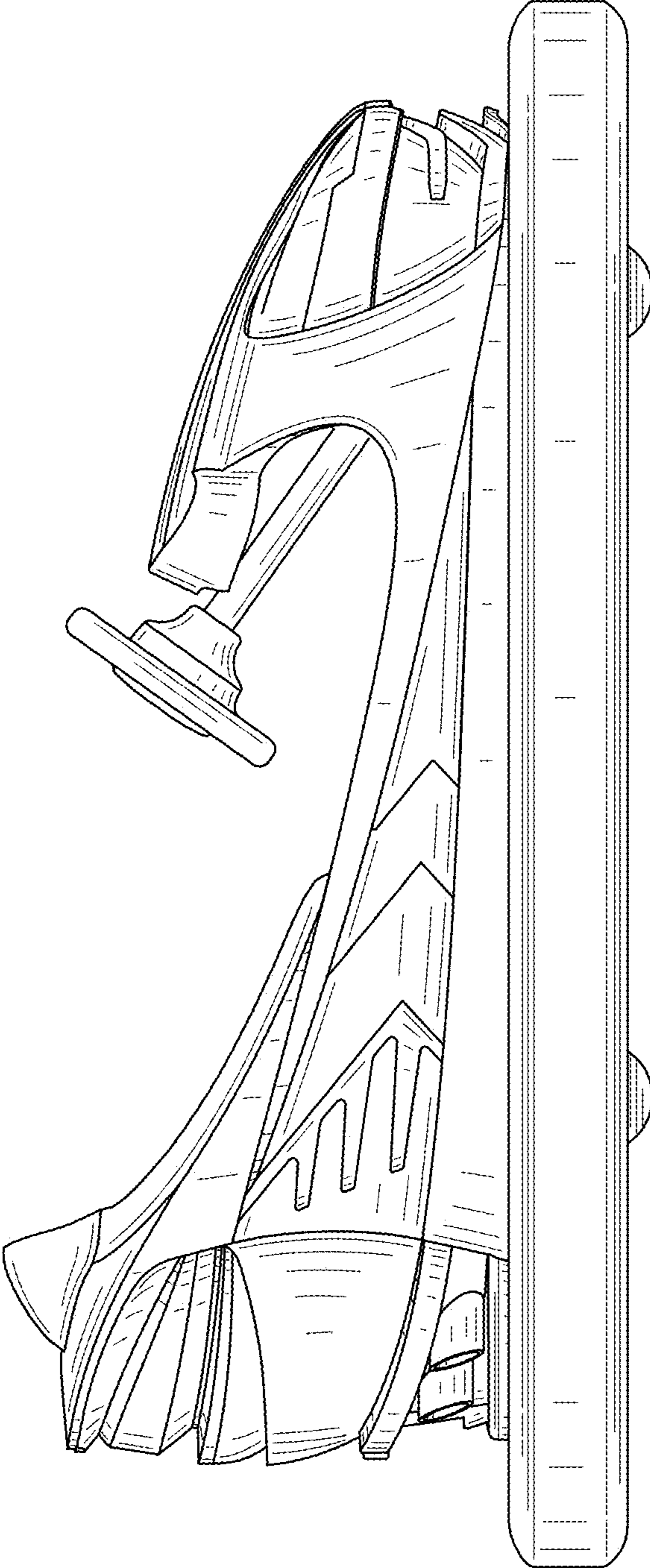


FIG. 6

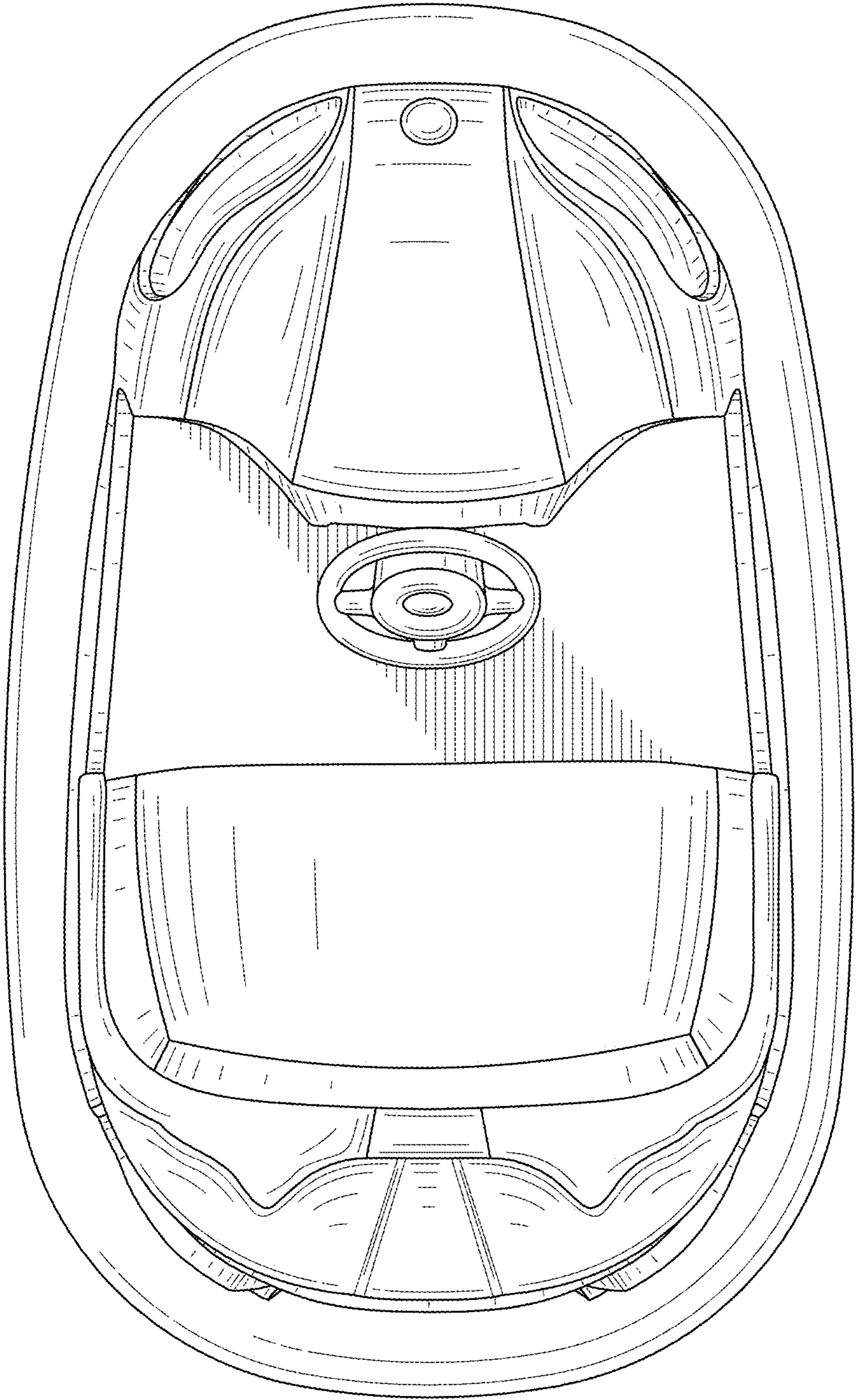


FIG. 7