



US00D878494S

(12) **United States Design Patent** (10) **Patent No.:** **US D878,494 S**  
**Hayashi et al.** (45) **Date of Patent:** **\*\* Mar. 17, 2020**

(54) **ROBOT**  
(71) Applicant: **GROOVE X, Inc.**, Tokyo (JP)  
(72) Inventors: **Kaname Hayashi**, Tokyo (JP); **Kota Nezu**, Tokyo (JP)  
(73) Assignee: **GROOVE X, INC.**, Tokyo (JP)  
(\*\*) Term: **15 Years**

D536,045 S \* 1/2007 Judkins ..... D21/578  
D636,445 S \* 4/2011 Avery ..... D21/576  
D639,353 S \* 6/2011 Stibolt ..... A63H 11/00  
D21/578  
8,265,793 B2 \* 9/2012 Cross ..... H04W 4/70  
180/8.1  
D678,326 S \* 3/2013 Lee ..... D21/659  
D685,438 S \* 7/2013 Fan ..... D21/578  
D695,345 S \* 12/2013 Park ..... D21/578

(Continued)

(21) Appl. No.: **29/689,433**  
(22) Filed: **Apr. 30, 2019**

FOREIGN PATENT DOCUMENTS

JP 2016008946 4/2010  
JP 1507072 S 9/2014  
JP 1543220 S 2/2016

**Related U.S. Application Data**

(63) Continuation of application No. 29/581,732, filed on Oct. 21, 2016, now Pat. No. Des. 847,914.

**Foreign Application Priority Data**

Apr. 22, 2016 (JP) ..... 2016-008946  
Apr. 22, 2016 (JP) ..... 2016-008947  
Apr. 22, 2016 (JP) ..... 2016-008948

(51) **LOC (12) Cl.** ..... **21-01**  
(52) **U.S. Cl.**  
USPC ..... **D21/659**

(58) **Field of Classification Search**  
USPC ..... D6/598; D11/158, 162; D21/576–595,  
D21/606–609, 658–661; 446/368–369,  
446/376, 428, 487; 180/8.6; D15/199  
CPC ... A63H 3/00; A63H 3/02; A63H 3/04; A63H  
3/16; A63H 3/28; A63H 33/00; A63H  
7/06; A63H 11/00; A63H 11/10; A63H  
11/20; A63H 13/00  
See application file for complete search history.

(56) **References Cited**

U.S. PATENT DOCUMENTS

D450,788 S \* 11/2001 Kawasaki ..... D21/578  
D452,889 S \* 1/2002 Kawakita ..... D21/659

OTHER PUBLICATIONS

Japanese Office Action for corresponding Design application No. 2018-027398; Office Action dated Jun. 25, 2019.

*Primary Examiner* — Sandra L Morris  
(74) *Attorney, Agent, or Firm* — Cantor Colburn LLP

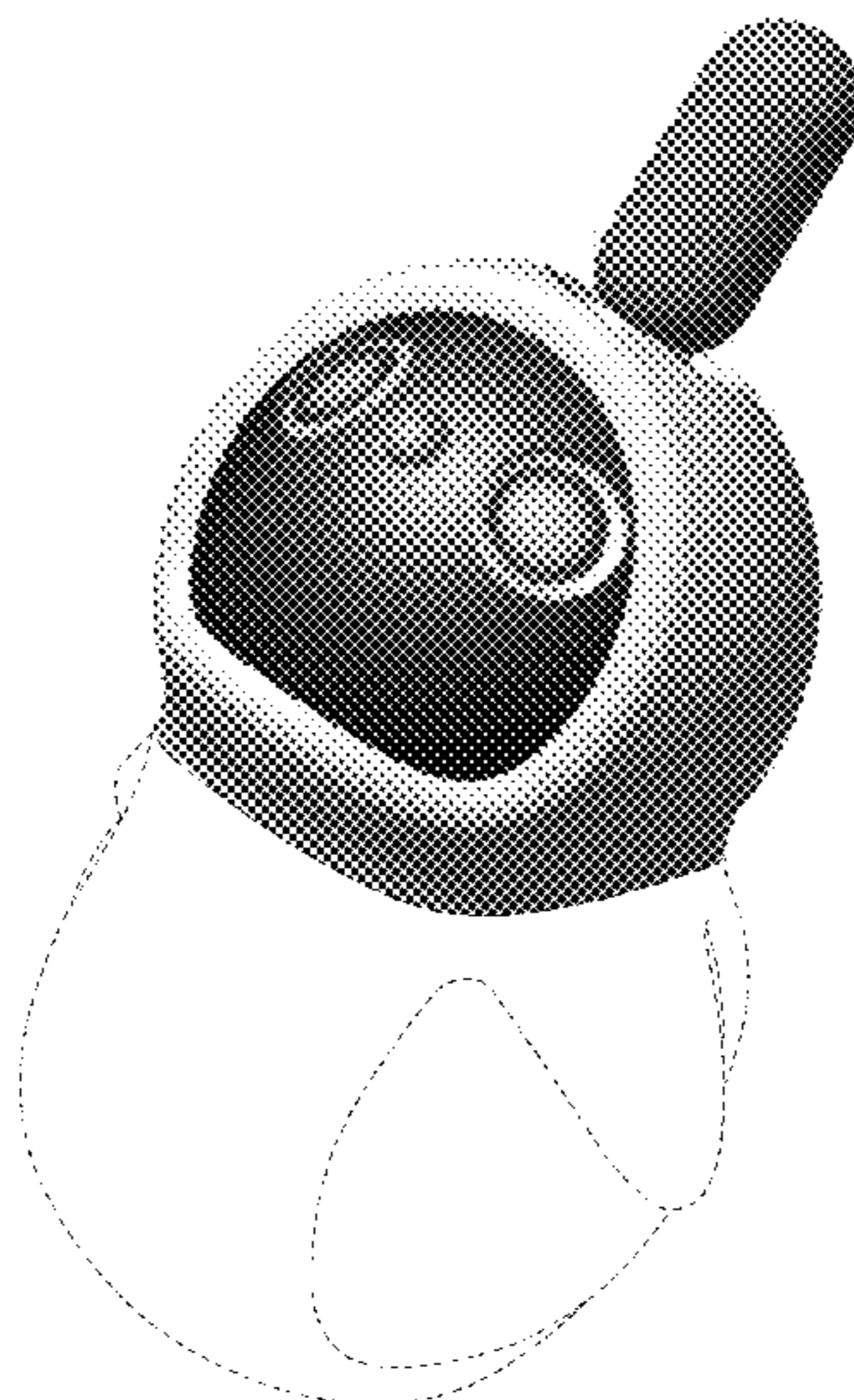
(57) **CLAIM**

We claim, the ornamental design for a robot, as shown and described.

**DESCRIPTION**

FIG. 1 is a front perspective view of a robot, showing our new design;  
FIG. 2 is a rear perspective view thereof;  
FIG. 3 is a bottom perspective view thereof;  
FIG. 4 is a front elevation view thereof;  
FIG. 5 is a rear elevation view thereof;  
FIG. 6 is a side elevation view thereof, the opposite side being a mirror image thereof;  
FIG. 7 is a top plan view thereof; and,  
FIG. 8 is a bottom plan view thereof.  
The portions shown in broken lines form no part of the claimed design.

**1 Claim, 8 Drawing Sheets**



(56)

**References Cited**

U.S. PATENT DOCUMENTS

D710,953 S \* 8/2014 Katsutani ..... D21/578  
D714,881 S \* 10/2014 Michalowski ..... D21/576  
D719,621 S \* 12/2014 Song ..... H04W 4/70  
D21/578  
9,358,475 B2 \* 6/2016 Michalowski ..... A63H 29/22  
D21/659  
9,873,200 B2 \* 1/2018 Song ..... A63H 30/04  
D21/659  
D812,153 S \* 3/2018 Belker ..... D21/659  
D838,758 S \* 1/2019 Kymm ..... D21/659  
2007/0192910 A1 \* 8/2007 Vu ..... B25J 5/007  
700/245  
2012/0290111 A1 \* 11/2012 Badavne ..... A63H 11/00  
700/94

\* cited by examiner

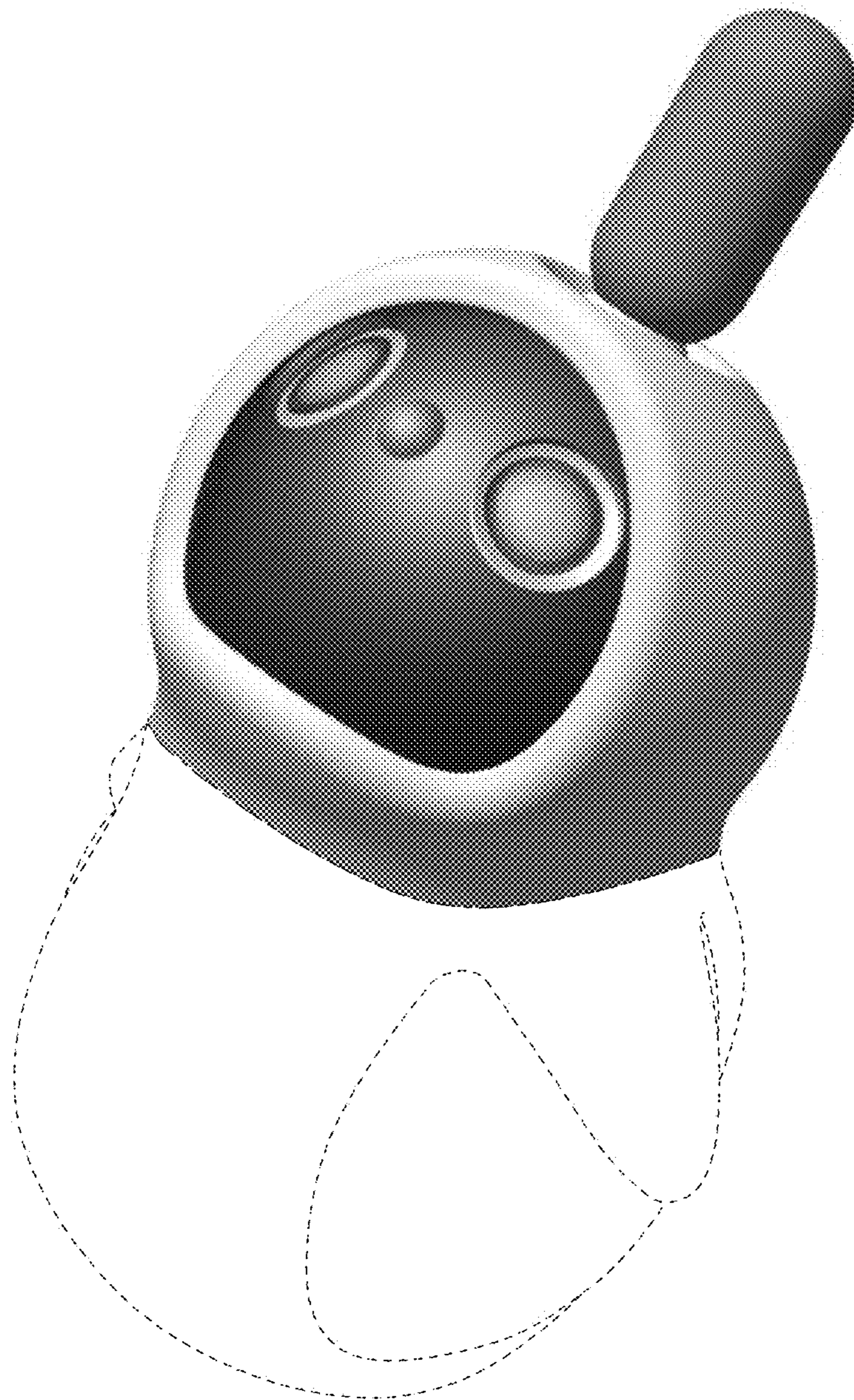


FIG. 1

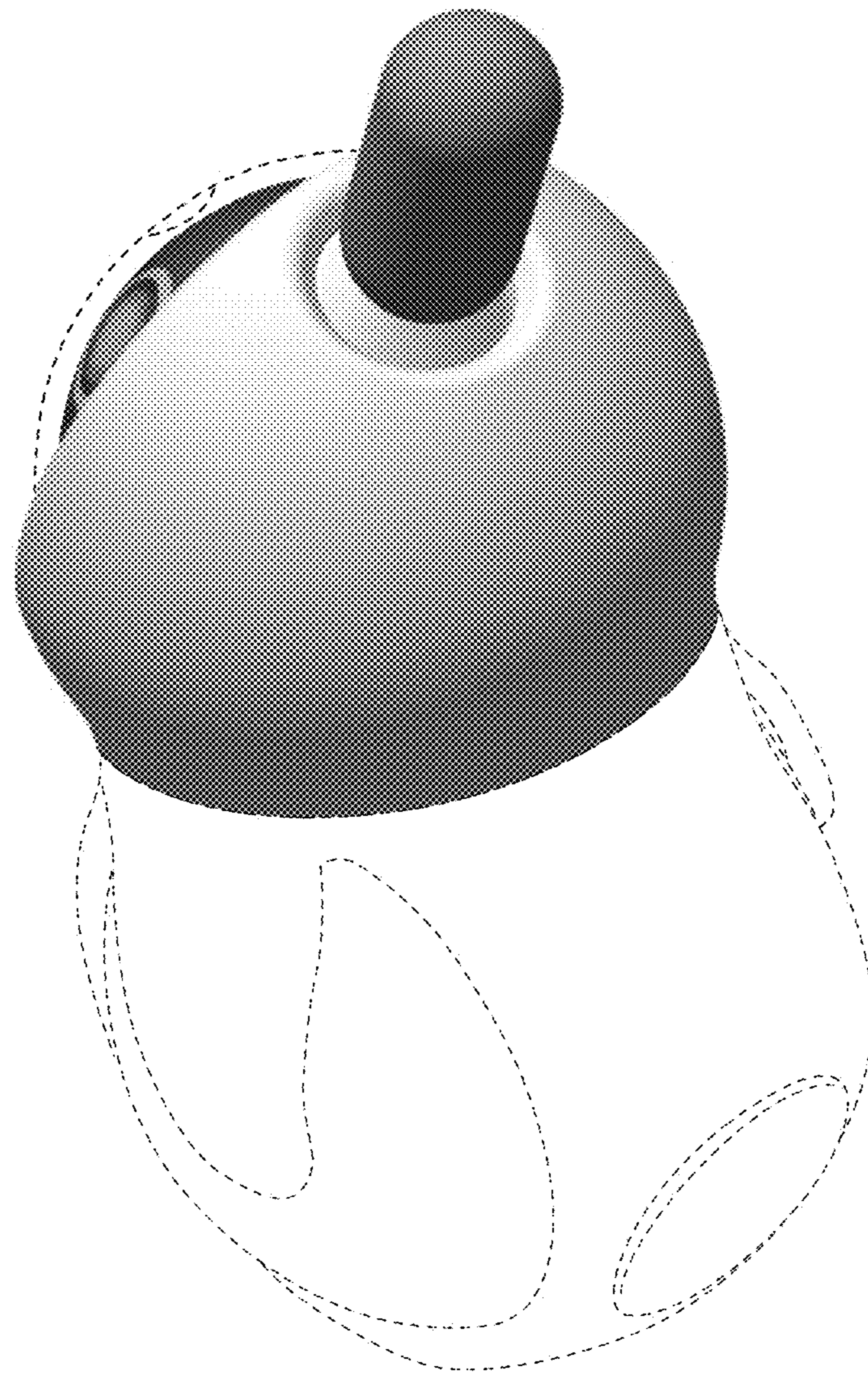


FIG. 2

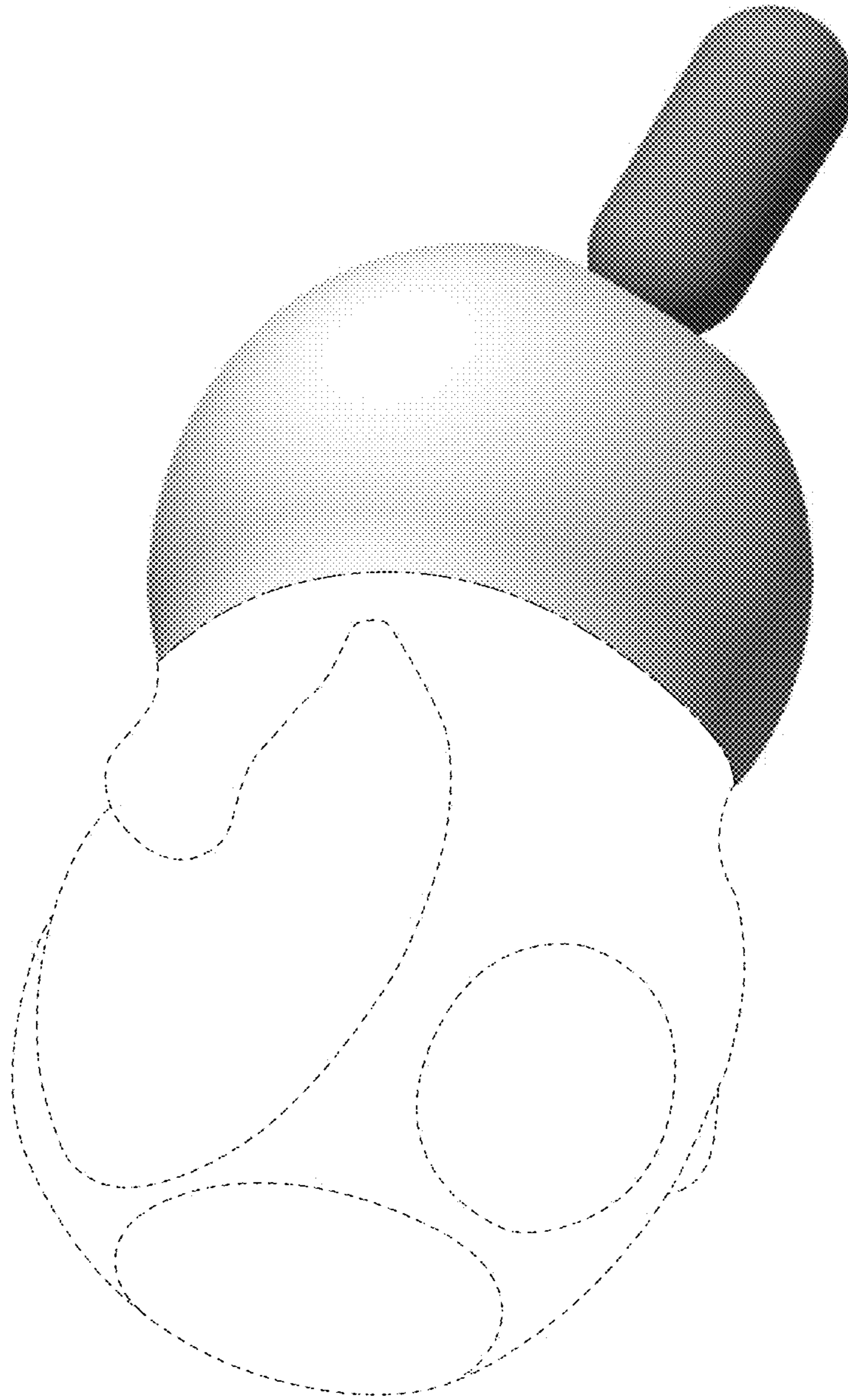


FIG. 3

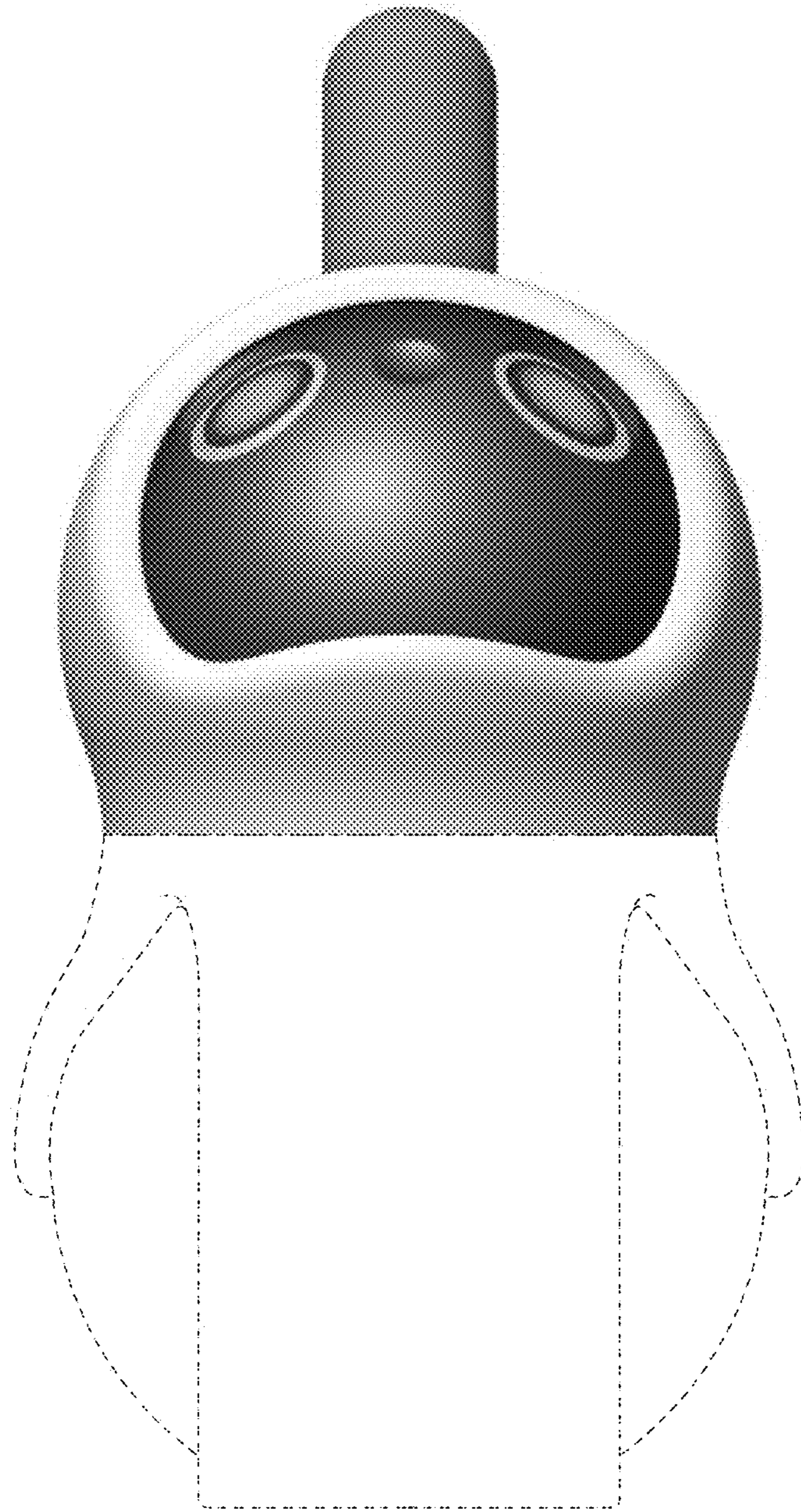


FIG. 4

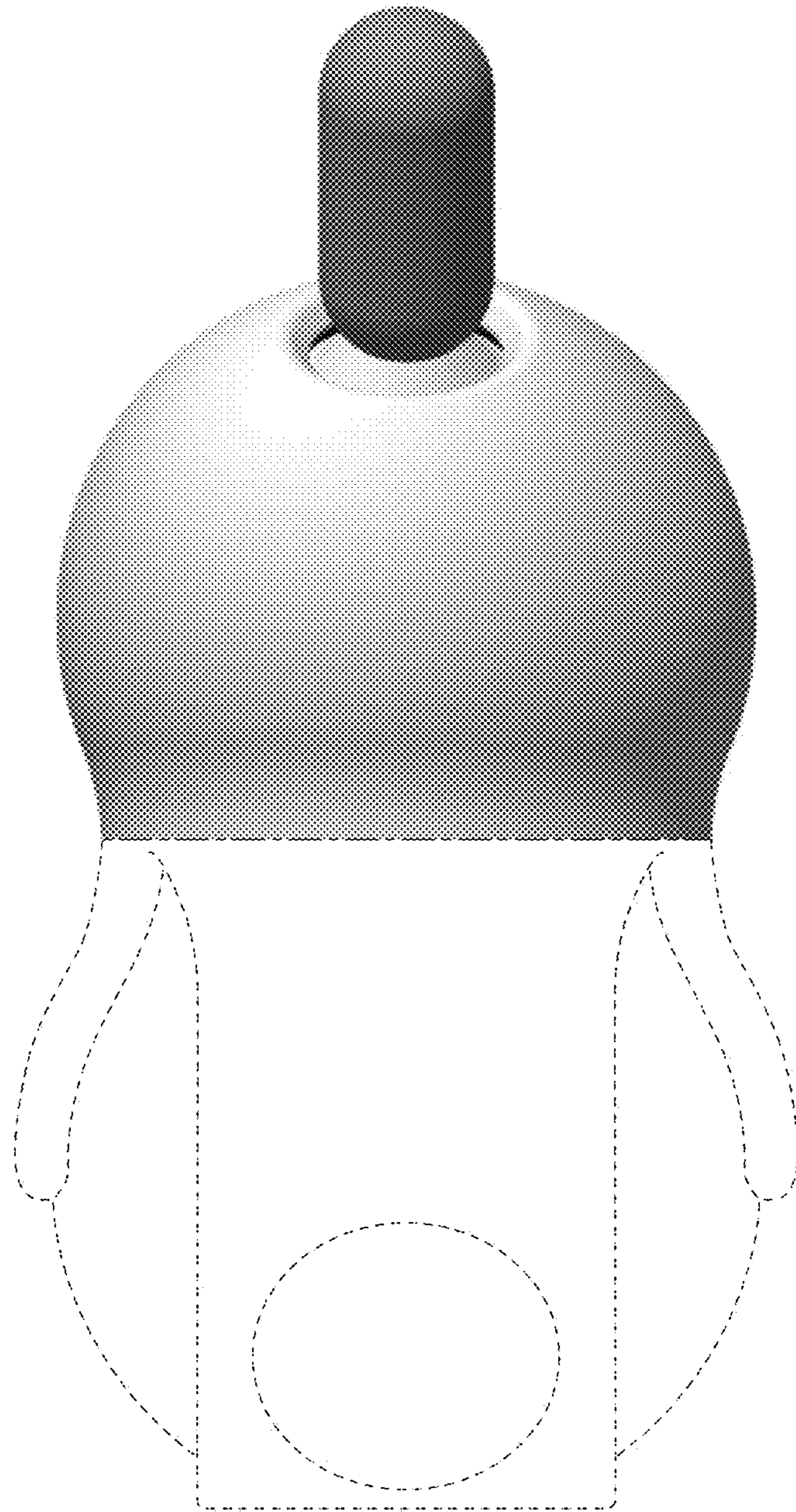


FIG. 5

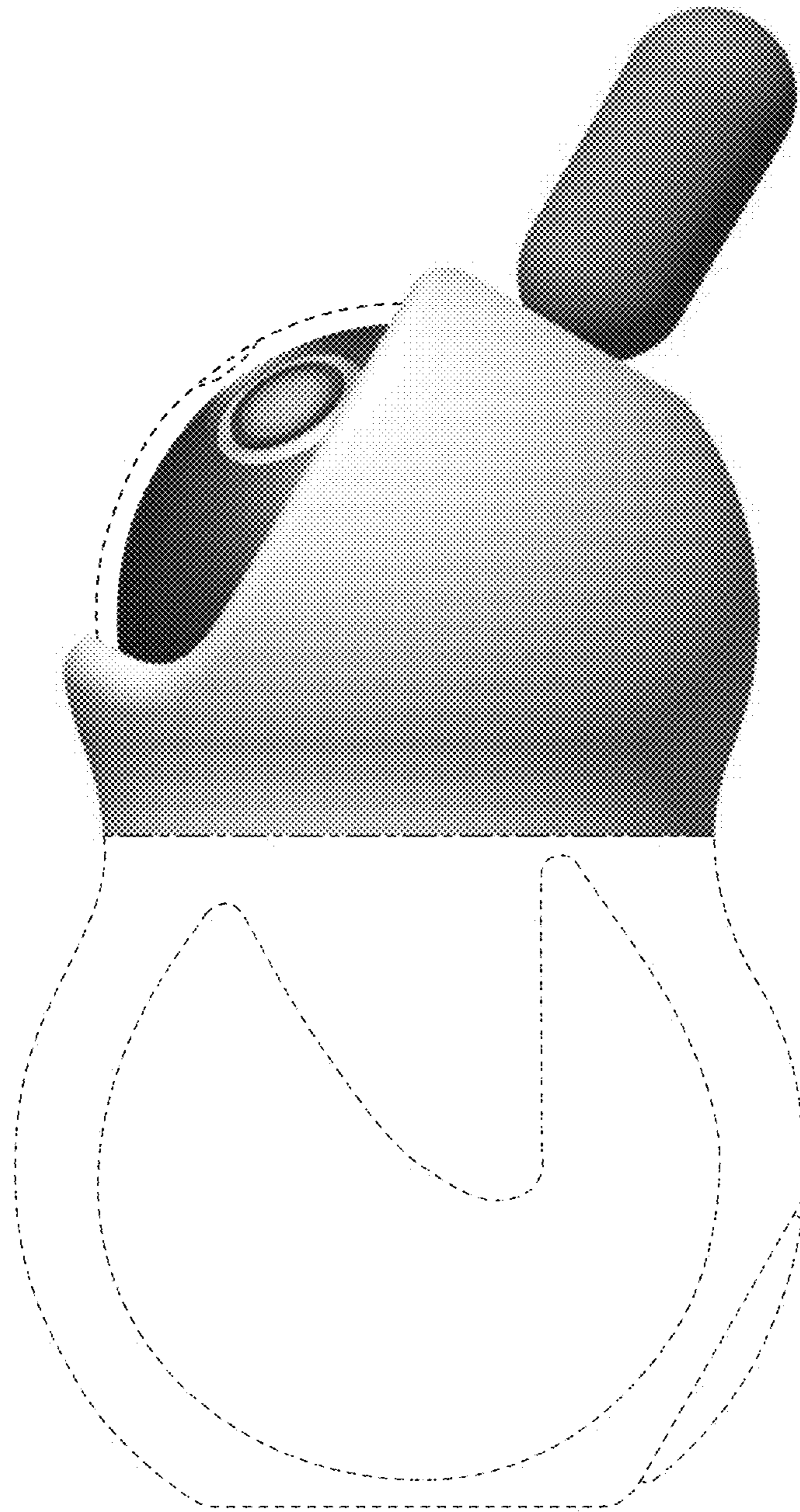


FIG. 6



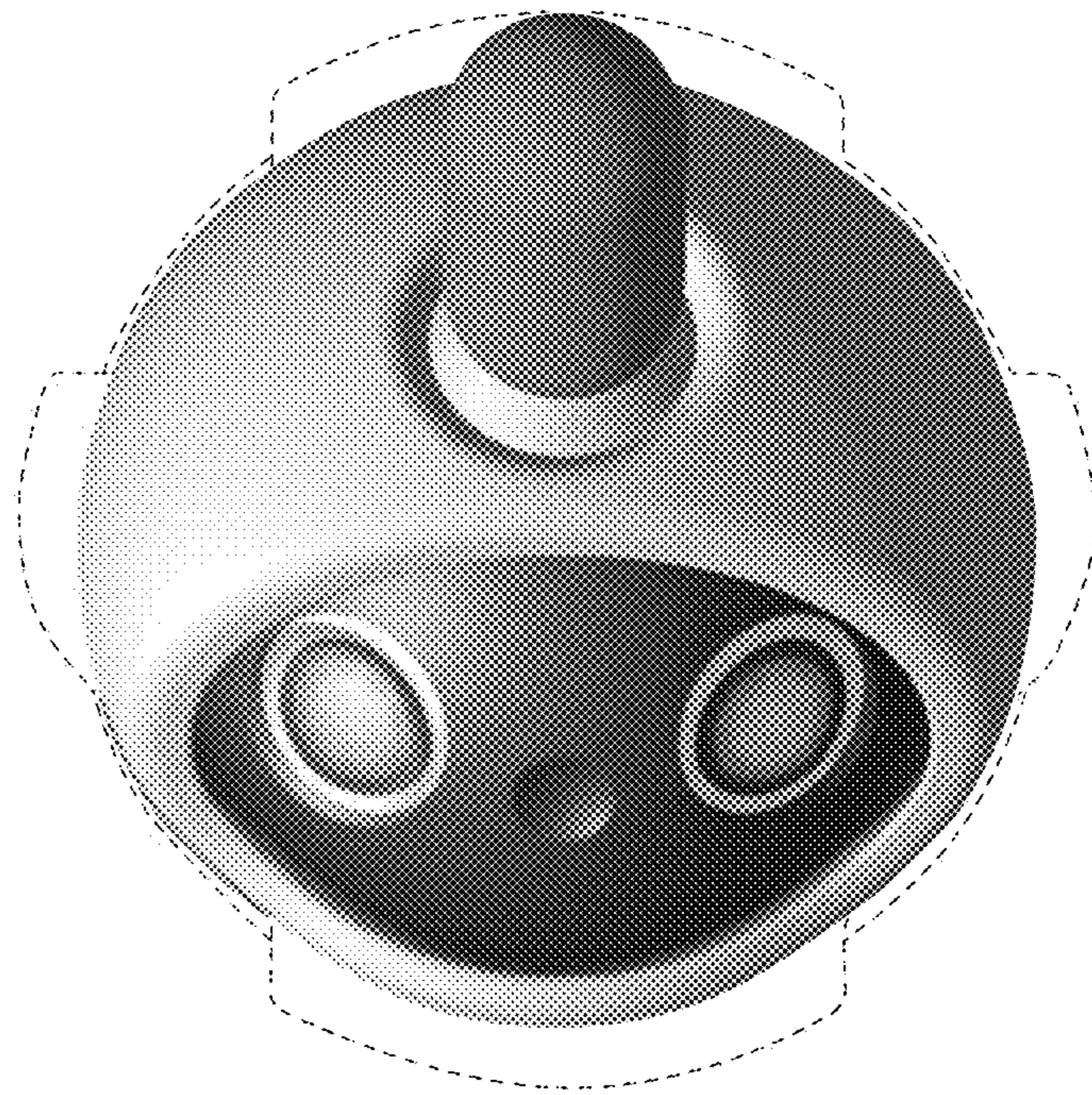


FIG. 7

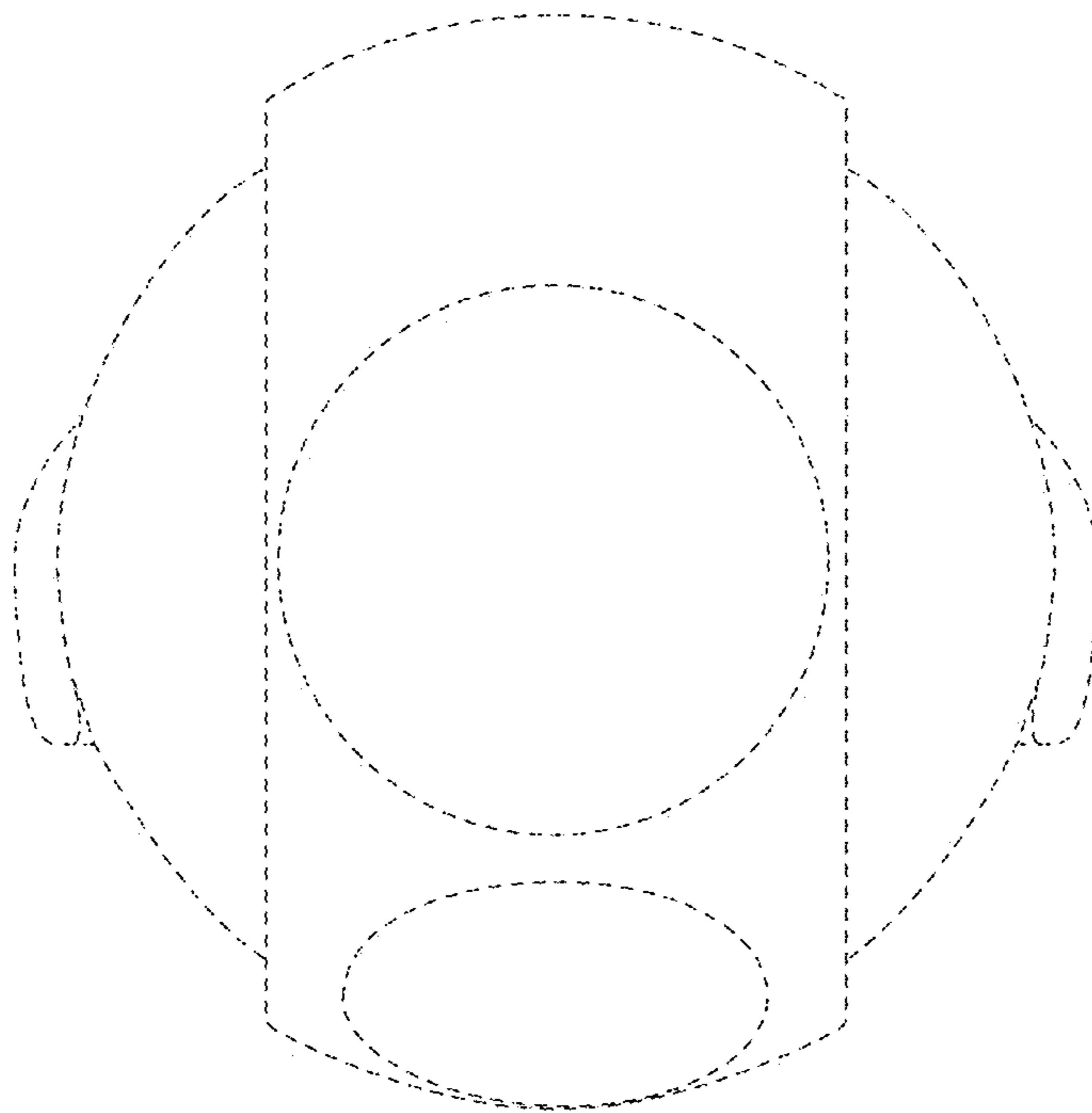


FIG. 8