



US00D878488S

(12) **United States Design Patent** (10) **Patent No.:** **US D878,488 S**
Timonen et al. (45) **Date of Patent:** **** Mar. 17, 2020**

(54) **TOY ROBOT**

FOREIGN PATENT DOCUMENTS

(71) Applicant: **Wonder Workshop, Inc.**, San Mateo, CA (US)

CN 201130065850 * 4/2011
CN 201130392096 * 11/2011

(72) Inventors: **Jussi Timonen**, San Mateo, CA (US);
Charles Forth Rosenwasser, San Mateo, CA (US); **Wayne Miller**, San Mateo, CA (US)

OTHER PUBLICATIONS

LSNGlobal, Toy Story: Robots Bring Programming to Children, Oct. 31, 2013, [online], [site visited May 17, 2018]. Available from Internet, <URL: <https://www.lsnglobal.com/news/article/8450/toy-story-robots-bring-programming-to-children>> (Year: 2013).*

(73) Assignee: **Wonder Workshop, Inc.**, San Mateo, CA (US)

(Continued)

(**) Term: **15 Years**

Primary Examiner — Sheryl Lane

Assistant Examiner — Samantha N Wood

(21) Appl. No.: **29/617,738**

(74) *Attorney, Agent, or Firm* — Jeffrey Schox; Diana Lin

(22) Filed: **Sep. 15, 2017**

(51) **LOC (12) Cl.** **21-01**

(57) **CLAIM**

(52) **U.S. Cl.**

USPC **D21/578**

(58) **Field of Classification Search**

USPC D15/199, 144; D21/578, 579, 576,
D21/621–623, 624–627, 630, 580;
D24/185; D14/302, 307

CPC . B25J 9/044; B25J 9/003; B25J 9/0078; B25J
9/102; B25J 18/00; B25J 18/002; B25J
18/04; B25J 18/007; B25J 15/00; B25J
15/0033; B25J 15/0038

See application file for complete search history.

The ornamental design for a toy robot, as shown and described.

DESCRIPTION

FIG. 1 is an isometric view, from the front top right, of the toy robot.

FIG. 2 is an isometric view, from the back bottom left, of the toy robot.

FIG. 3 is an elevation view from the left side of the toy robot

FIG. 4 is an elevation view from the right side of the toy robot.

FIG. 5 is an elevation view from the front of the toy robot.

FIG. 6 is an elevation view from the back of the toy robot.

FIG. 7 is a plan view from the top of the toy robot; and,

FIG. 8 is a plan view from the bottom of the toy robot.

The broken lines are included for the purpose of illustrating portions of the toy robot and form no part of the claimed design.

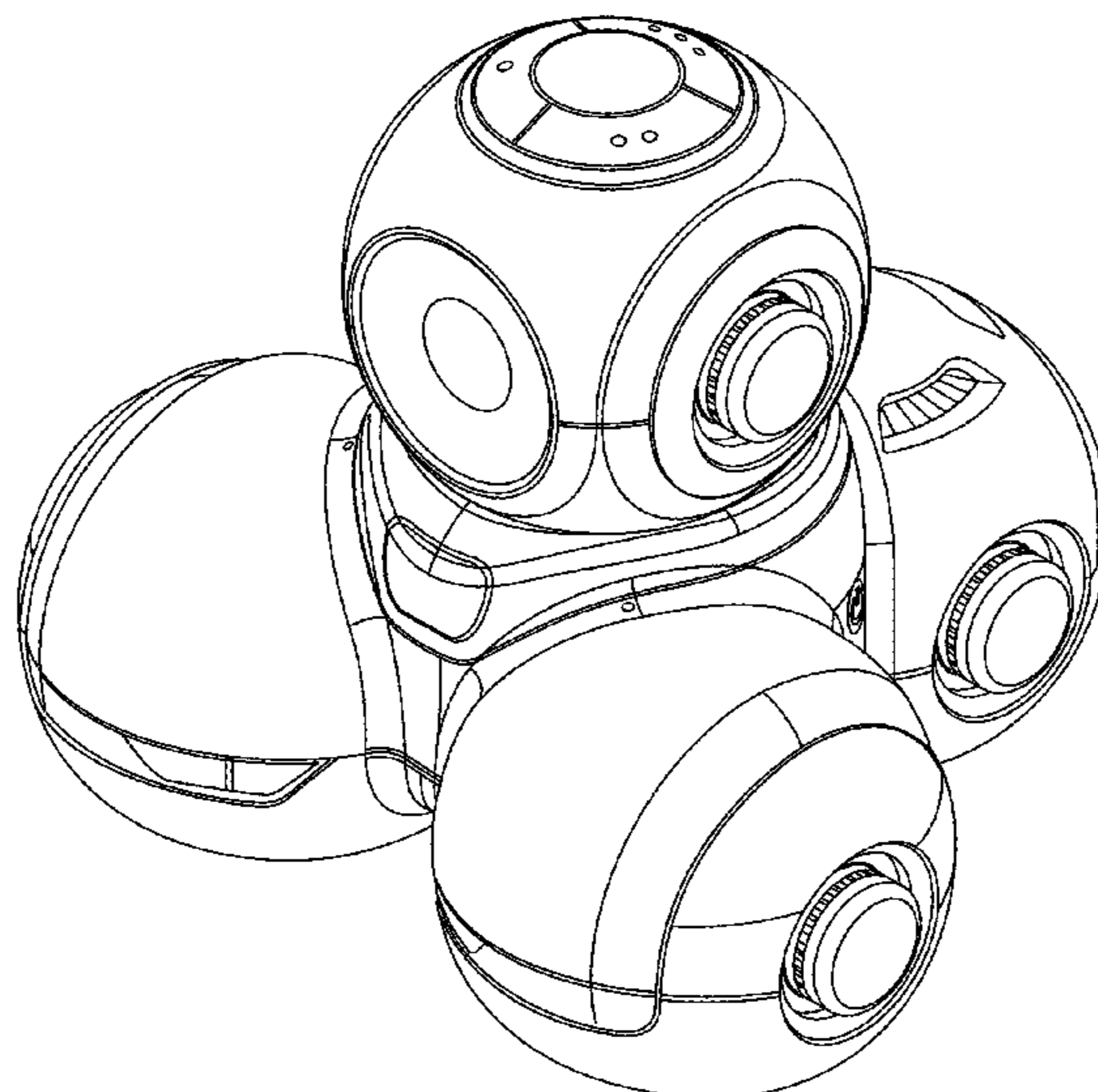
(56) **References Cited**

U.S. PATENT DOCUMENTS

| | | | |
|--------------|--------|----------------|---------|
| D290,032 S | 5/1987 | Horiuchi | |
| D471,243 S | 3/2003 | Cioffi et al. | |
| 6,604,021 B2 | 8/2003 | Imai et al. | |
| D490,486 S | 5/2004 | Hornsby et al. | |
| D559,288 S | 1/2008 | Matsuda | |
| D593,165 S * | 5/2009 | Hetrick | D21/578 |
| D614,251 S * | 4/2010 | Chung | D15/199 |
| D624,610 S | 9/2010 | Wu et al. | |

(Continued)

1 Claim, 8 Drawing Sheets



(56)

References Cited

U.S. PATENT DOCUMENTS

| | | | |
|-----------------|---------|---------------------|---------|
| D635,603 S * | 4/2011 | Paz Rodriguez | D15/199 |
| D639,353 S | 6/2011 | Stibolt | |
| D685,438 S * | 7/2013 | Fan | D15/199 |
| D688,329 S * | 8/2013 | Vinh Hoang | D15/199 |
| D710,953 S | 8/2014 | Katsutani et al. | |
| D719,621 S | 12/2014 | Song | |
| D732,117 S * | 6/2015 | Crump | D21/611 |
| D734,821 S * | 7/2015 | Greaves | D15/199 |
| D761,894 S | 7/2016 | Ho et al. | |
| 2009/0183143 A1 | 7/2009 | Li et al. | |
| 2017/0291295 A1 | 10/2017 | Gupta et al. | |

OTHER PUBLICATIONS

WSJ, Toys that teach the basics of coding, posted Aug. 20, 2015, [online], [site visited May 17, 2018]. Available from Internet, <URL: <https://www.wsj.com/articles/toys-that-teach-the-basics-of-coding-1440093255>> (Year: 2015).*

24 Gadget, Orb Alarm Clock, posted Aug. 11, 2010, [online], [site visited May 22, 2018]. Available from Internet, <URL: <http://24gadget.ru/1161041571-orb-alarm-clock-krasivyyj-svetyashhijsya-budilnik.html>> (Year: 2010).*

Sclick, Space Invaders alarm clock, posted Dec. 28, 2010, [online], [site visited May 22, 2018]. Available from Internet, <URL: <http://sclick.net/cool-gadgets/latest-cool-gadgets-adorable-arcade-gadgets-space-invaders-alarm-clock-coolest-new-electronic-technology-gadgets-blog.html>> (Year: 2010).*

Amazon, Psyc Orb Portable Speaker, posted Jun. 24, 2014, [online], [site visited May 22, 2018]. Available from Internet, <URL: <https://www.amazon.co.uk/Psyc-Orbit-Portable-Bluetooth-Speaker-Black-White/dp/B00L92T8XI>> (Year: 2014).*

Riojas, et al. "Educational Technologies for Precollege Engineering Education" IEEE Transactions on Learning Technologies, vol. 5, No. 1 Jan.-Mar. 2012, pp. 20-37.

Wakefield, Jane, "Where is the next generation of coders?" BBC News, Technology, Nov. 13, 2013, XP 54977821A.

* cited by examiner

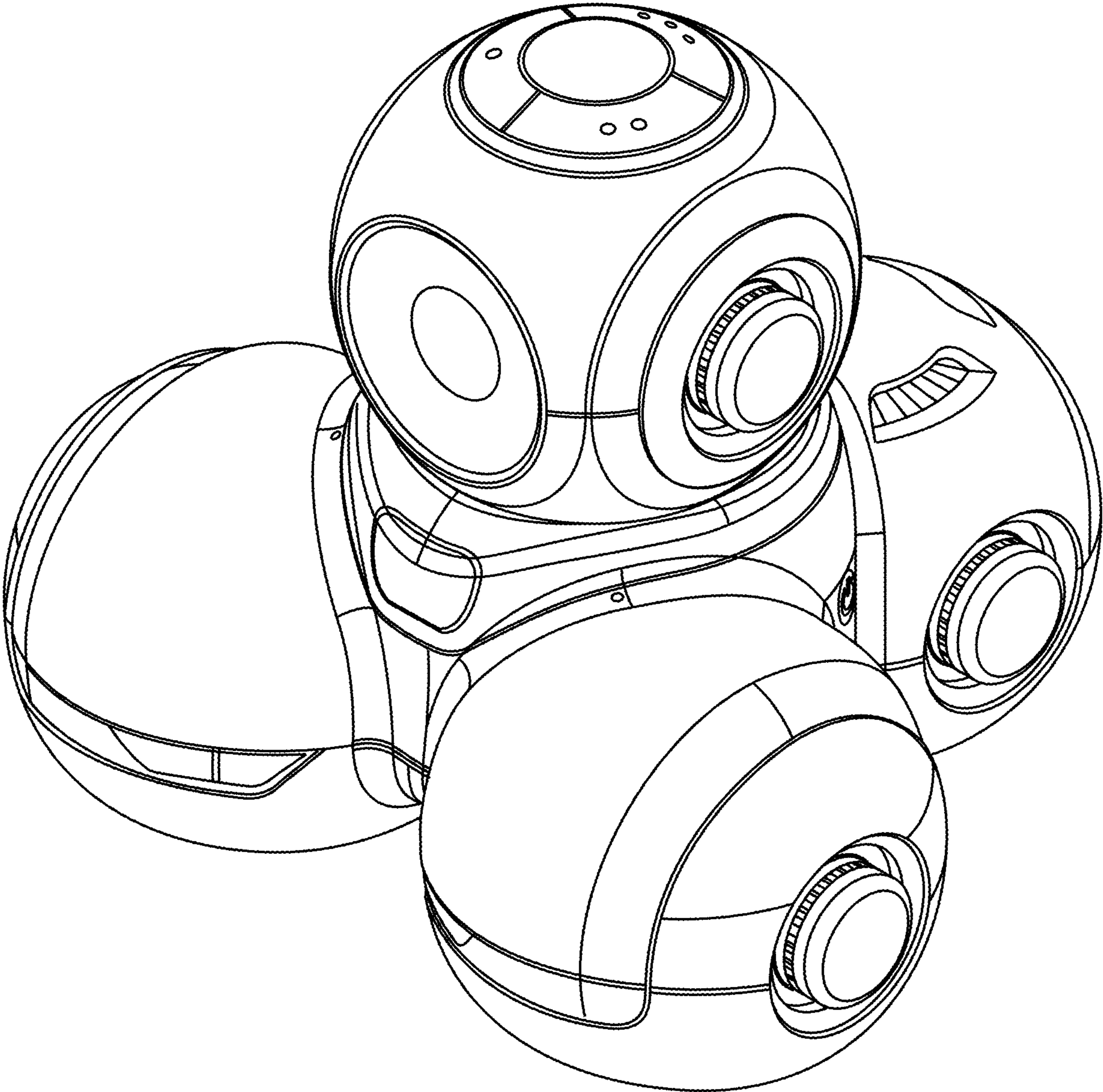


FIG. 1

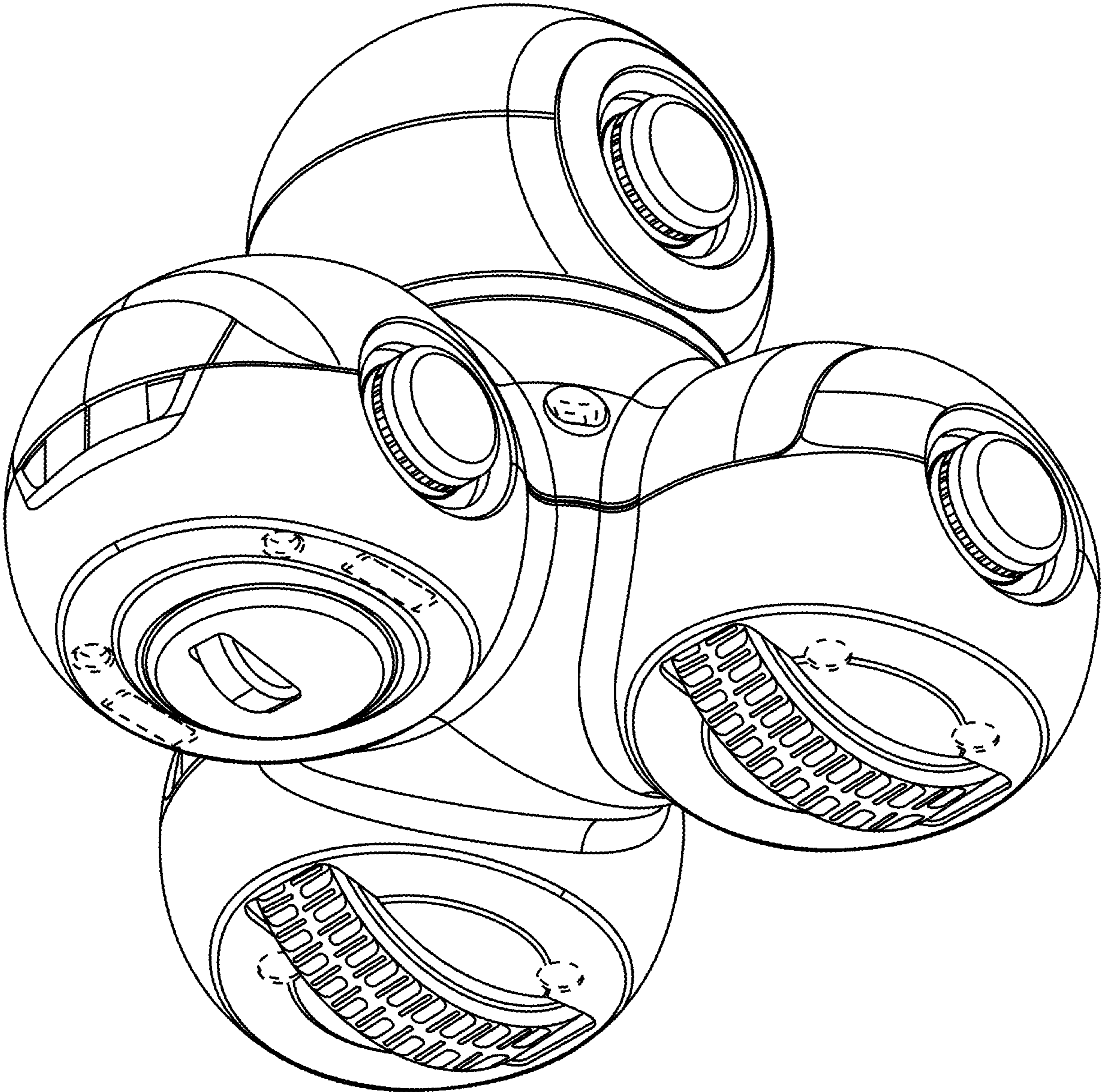


FIG. 2

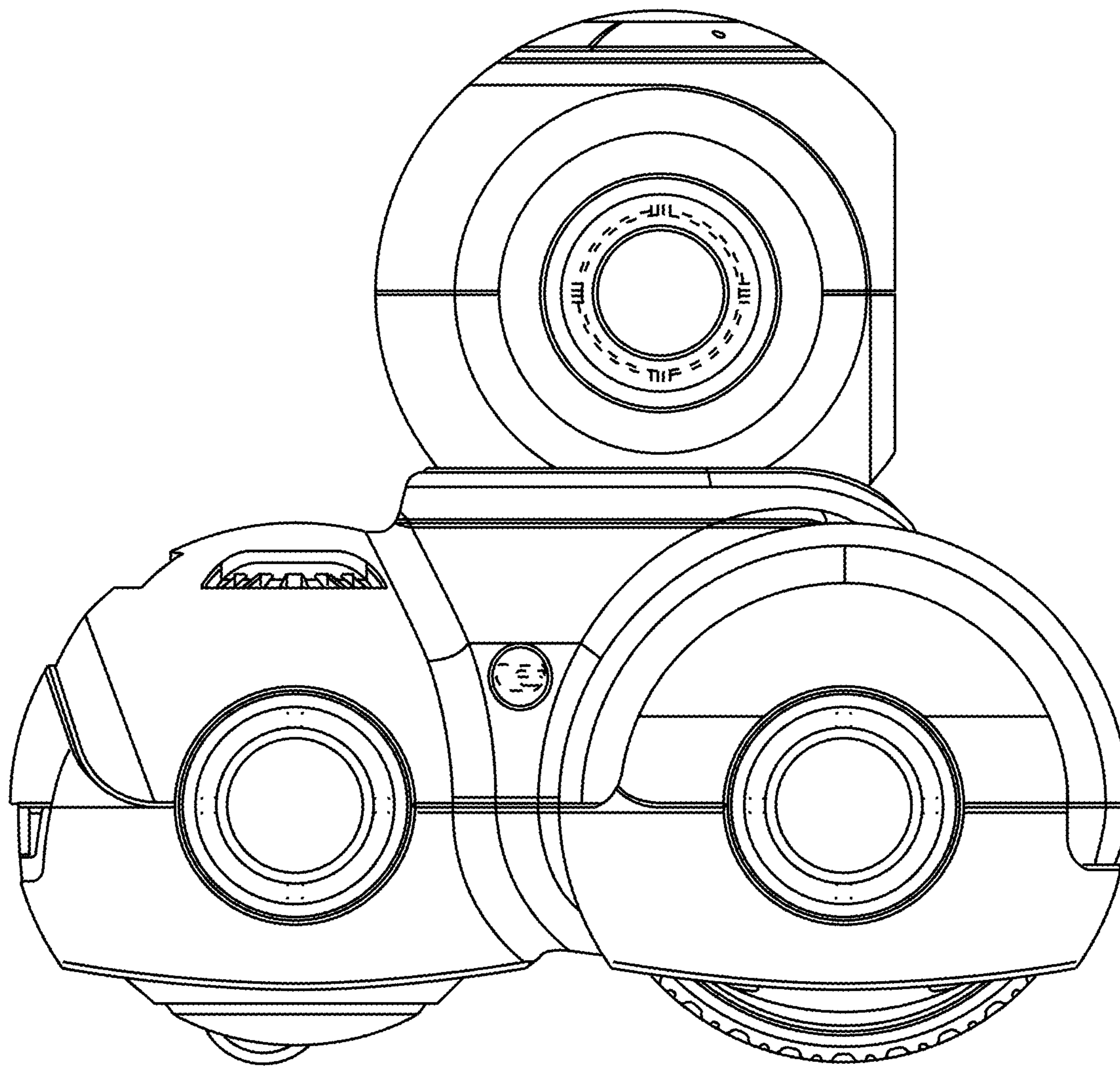


FIG. 3

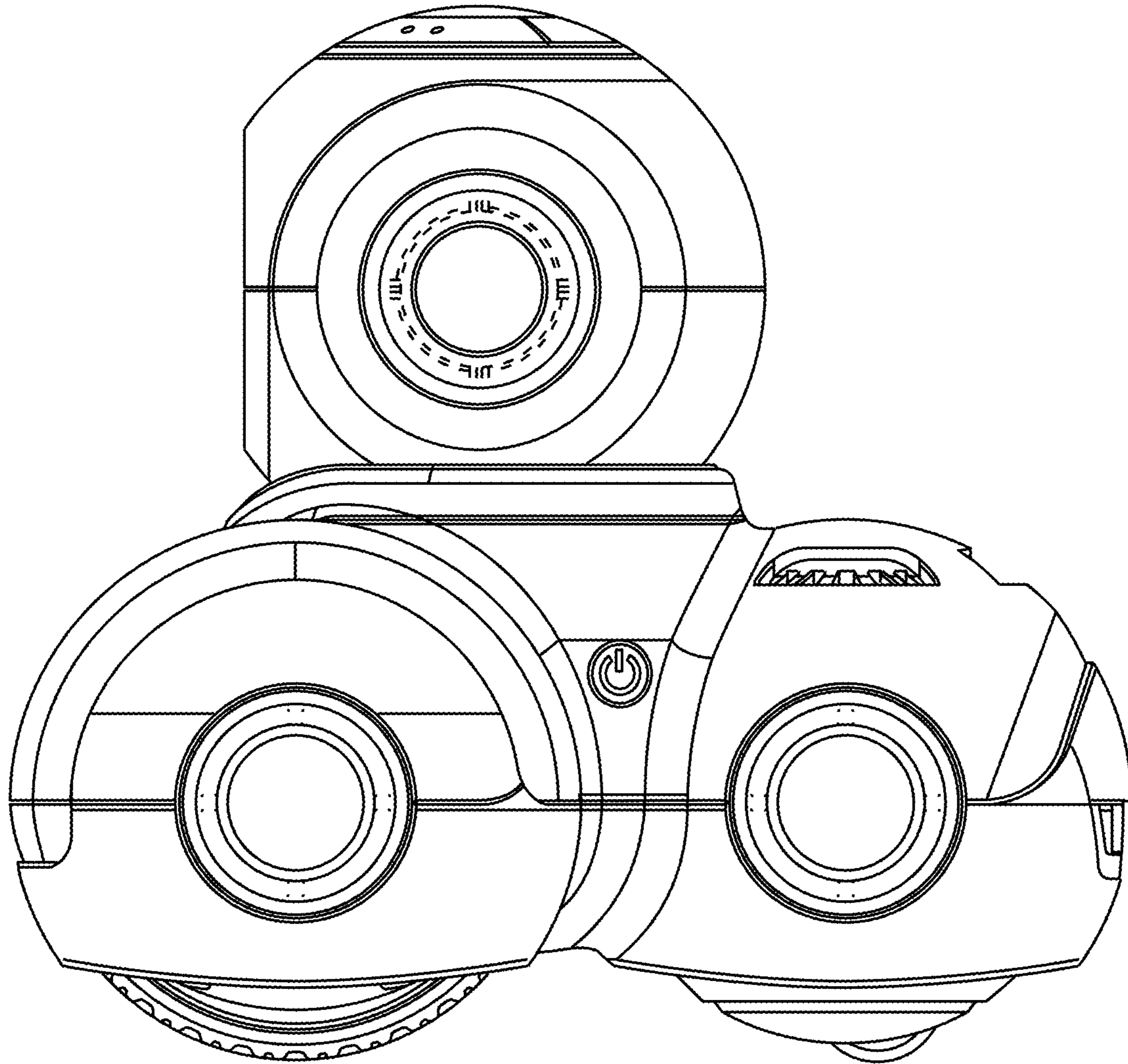


FIG. 4

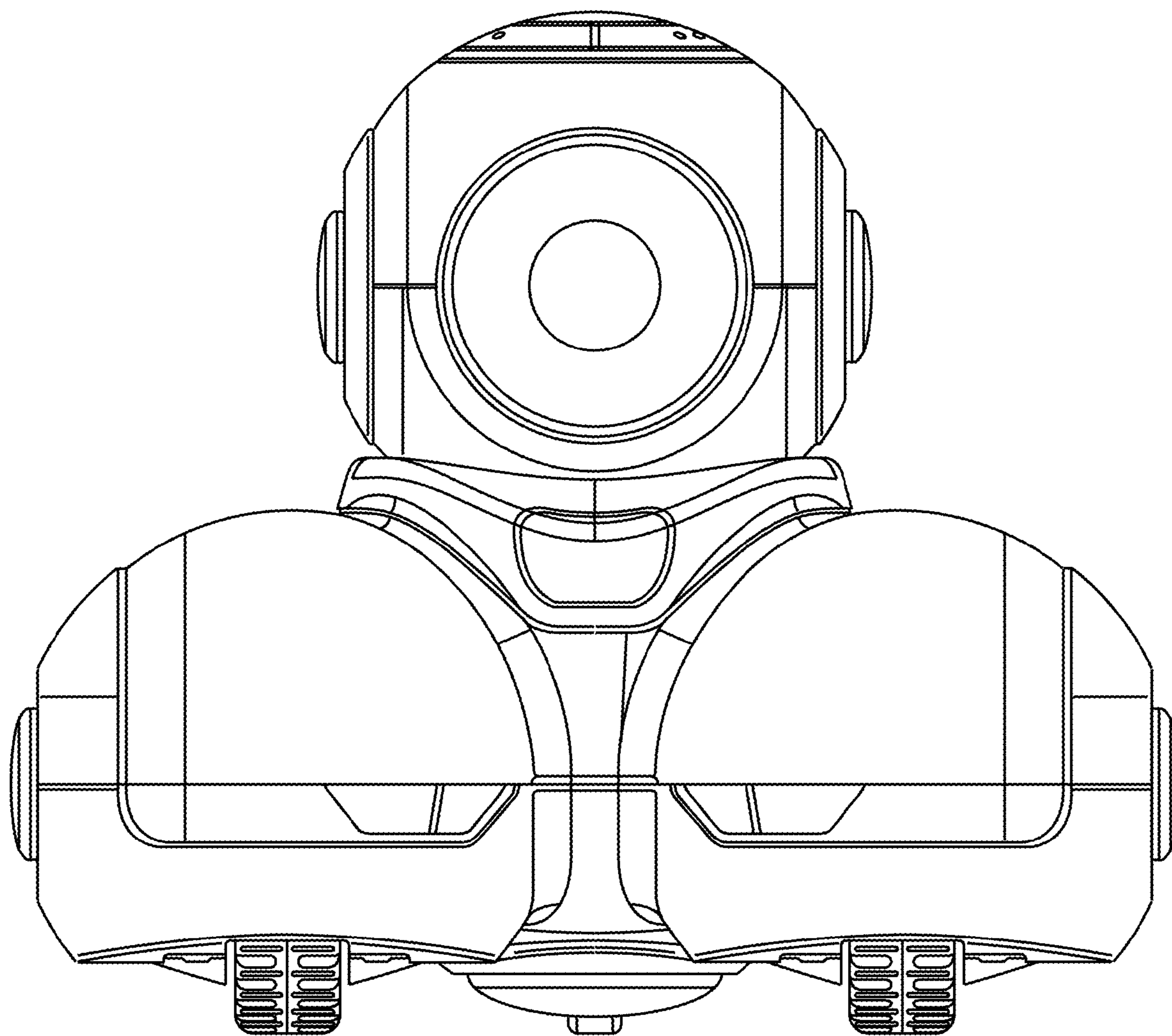


FIG. 5

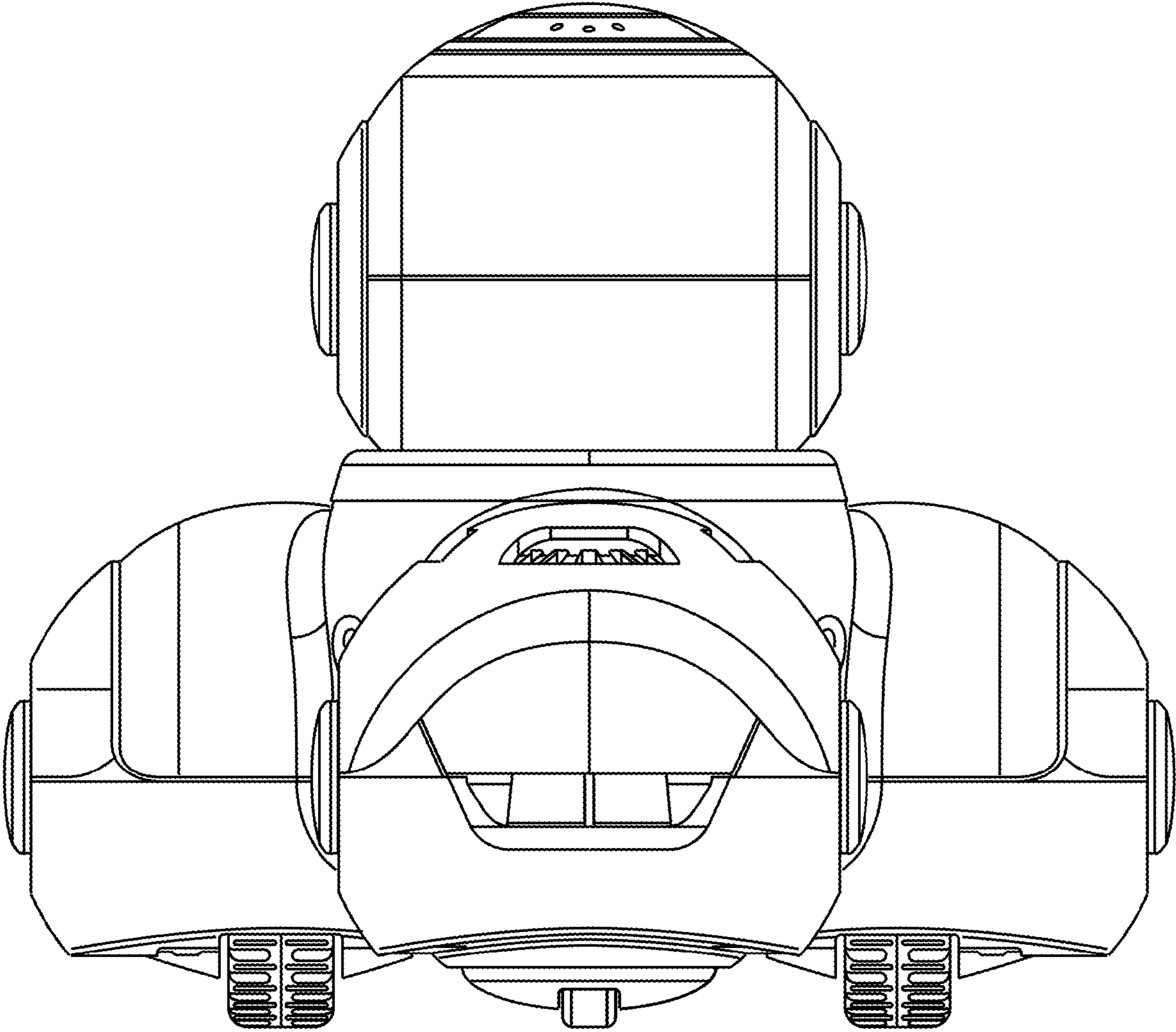


FIG. 6

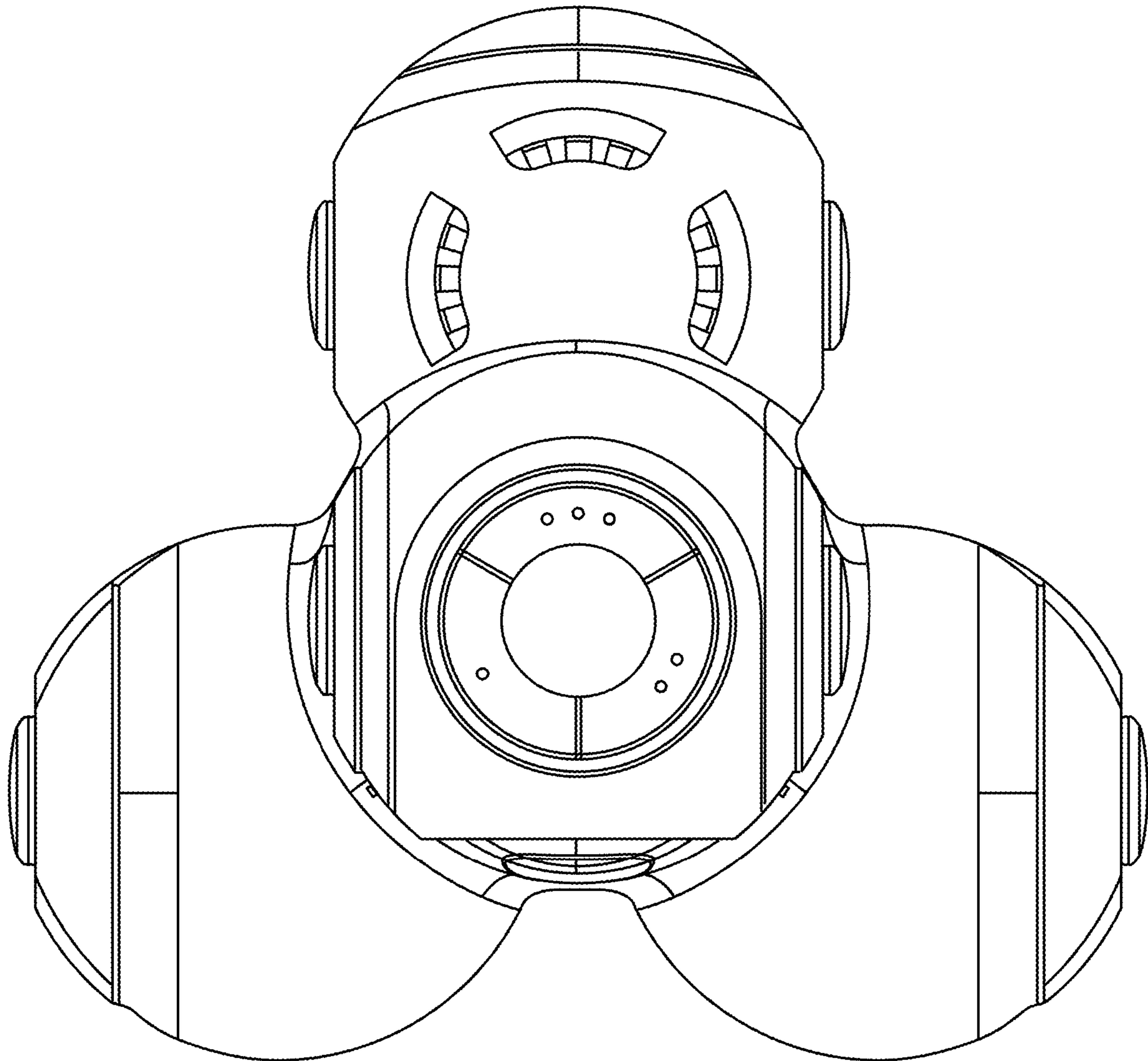


FIG. 7

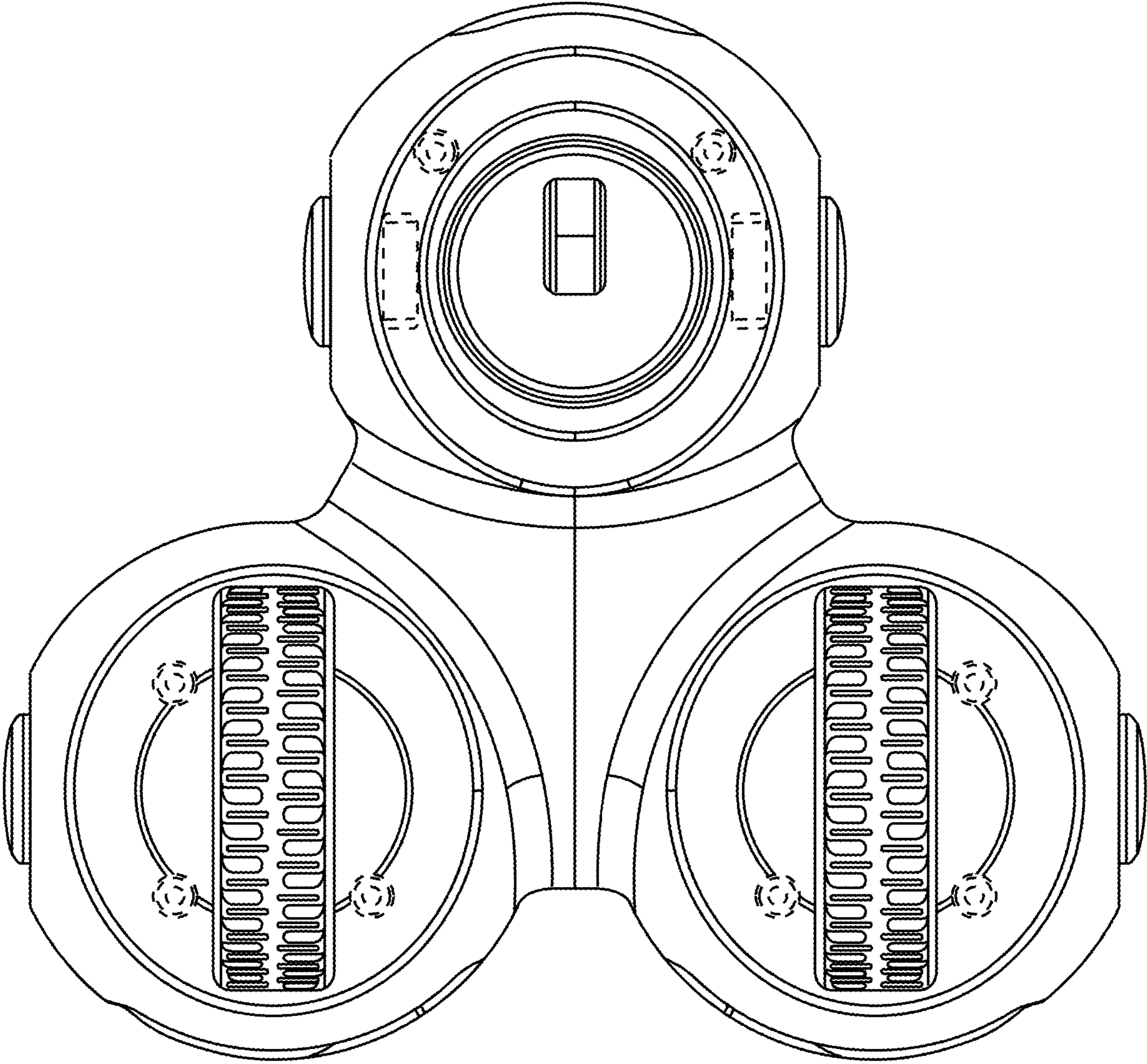


FIG. 8