



US00D878487S

(12) **United States Design Patent**  
**Lallier et al.**

(10) **Patent No.:** **US D878,487 S**  
(45) **Date of Patent:** **\*\* Mar. 17, 2020**

(54) **TOY PROJECTILE SHELL HOUSING**

(71) Applicant: **Hasbro, Inc.**, Pawtucket, RI (US)

(72) Inventors: **John Paul Lallier**, North Attleboro, MA (US); **Jones Lam Siu Chung**, Hong Kong (HK); **Nelson Chu Yiu Mo**, Hong Kong (HK)

(73) Assignee: **HASBRO, INC.**, Pawtucket, RI (US)

(\*\*) Term: **15 Years**

(21) Appl. No.: **29/669,506**

(22) Filed: **Nov. 8, 2018**

(51) **LOC (12) Cl.** ..... **21-01**

(52) **U.S. Cl.**  
USPC ..... **D21/570**; D21/387

(58) **Field of Classification Search**  
USPC ..... D21/387, 570; D22/115  
CPC ..... A63F 7/0017; A63F 7/0023; A63F 9/02;  
A63F 9/0278; A63F 9/20; A63F  
2009/0265; A63B 65/02; F42B 6/00;  
F42B 6/003; F42B 7/00; F42B 7/08  
See application file for complete search history.

(56) **References Cited**

**U.S. PATENT DOCUMENTS**

409,017 A	8/1889	Comstock	
522,464 A	7/1894	Fox	
532,090 A	1/1895	Park	
D961,511	6/1910	Marble	
3,400,661 A *	9/1968	Coon	..... F41A 21/46 102/522
3,465,744 A	9/1969	Nielsen	
D297,029 S *	8/1988	McCutcheon	..... D21/387
4,774,929 A	10/1988	Milliman	
D365,867 S *	1/1996	Flanagan	..... D22/115
5,529,050 A	6/1996	D'Andrade	

D415,547 S *	10/1999	Klima, Jr.	..... D22/115
6,598,329 B1	7/2003	Alexander	
7,287,526 B1	10/2007	Bligh et al.	
7,418,797 B1	9/2008	Croze	
7,437,847 B1	10/2008	Mabry	
7,552,557 B1	6/2009	Mabry	
7,900,619 B1 *	3/2011	Palmer	..... F41B 7/08 124/16
10,018,451 B1 *	7/2018	Ma	..... F42B 6/003
D852,922 S *	7/2019	Langner	..... D22/115
2003/0072148 A1 *	4/2003	Neeb	..... F41B 5/06 362/154
2018/0306560 A1 *	10/2018	Salisbury, Jr.	..... F42B 8/12

**FOREIGN PATENT DOCUMENTS**

EP 001382253-0008 S 8/2013

\* cited by examiner

*Primary Examiner* — Cynthia M. Chin

(74) *Attorney, Agent, or Firm* — Perry Hoffman

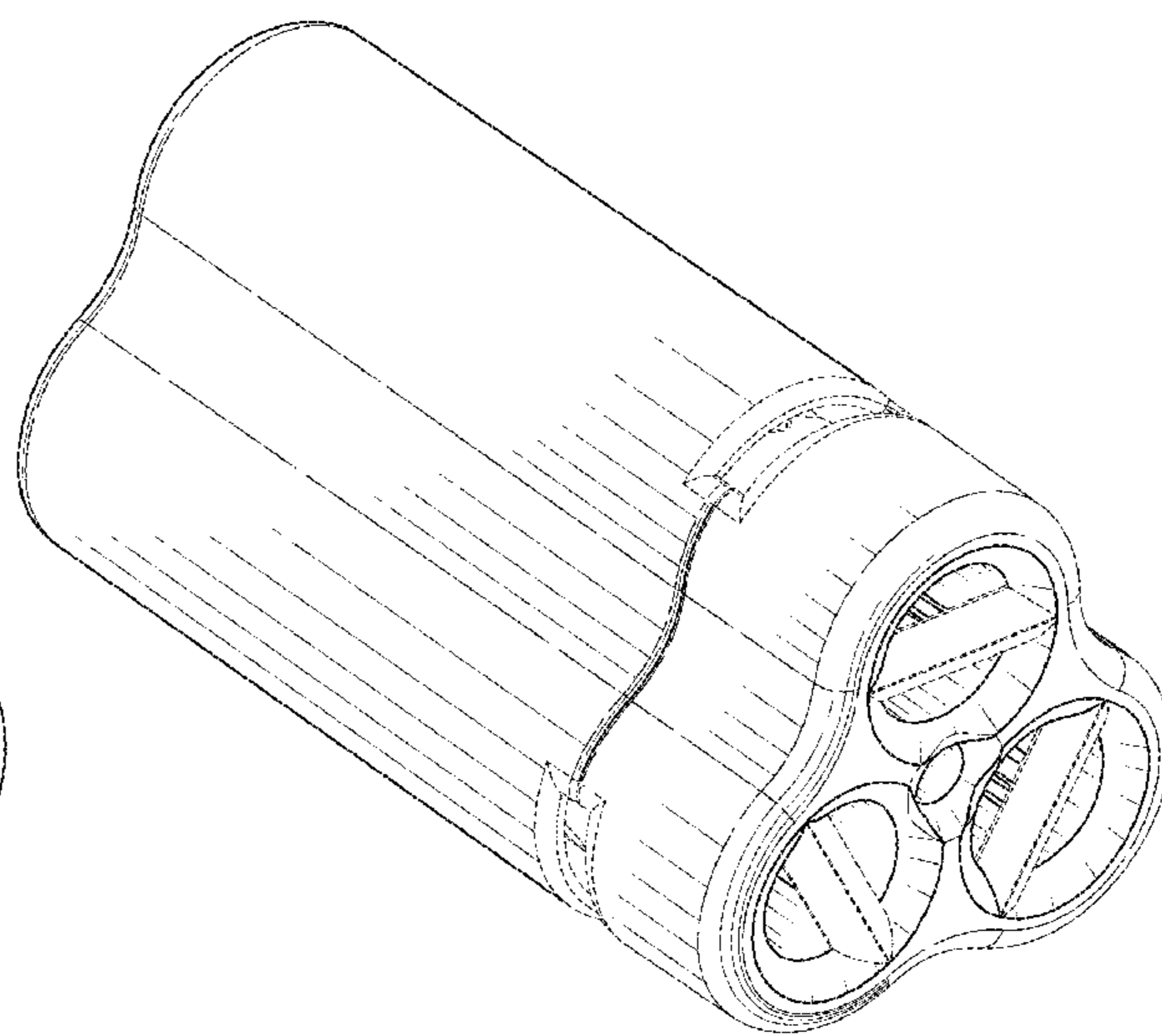
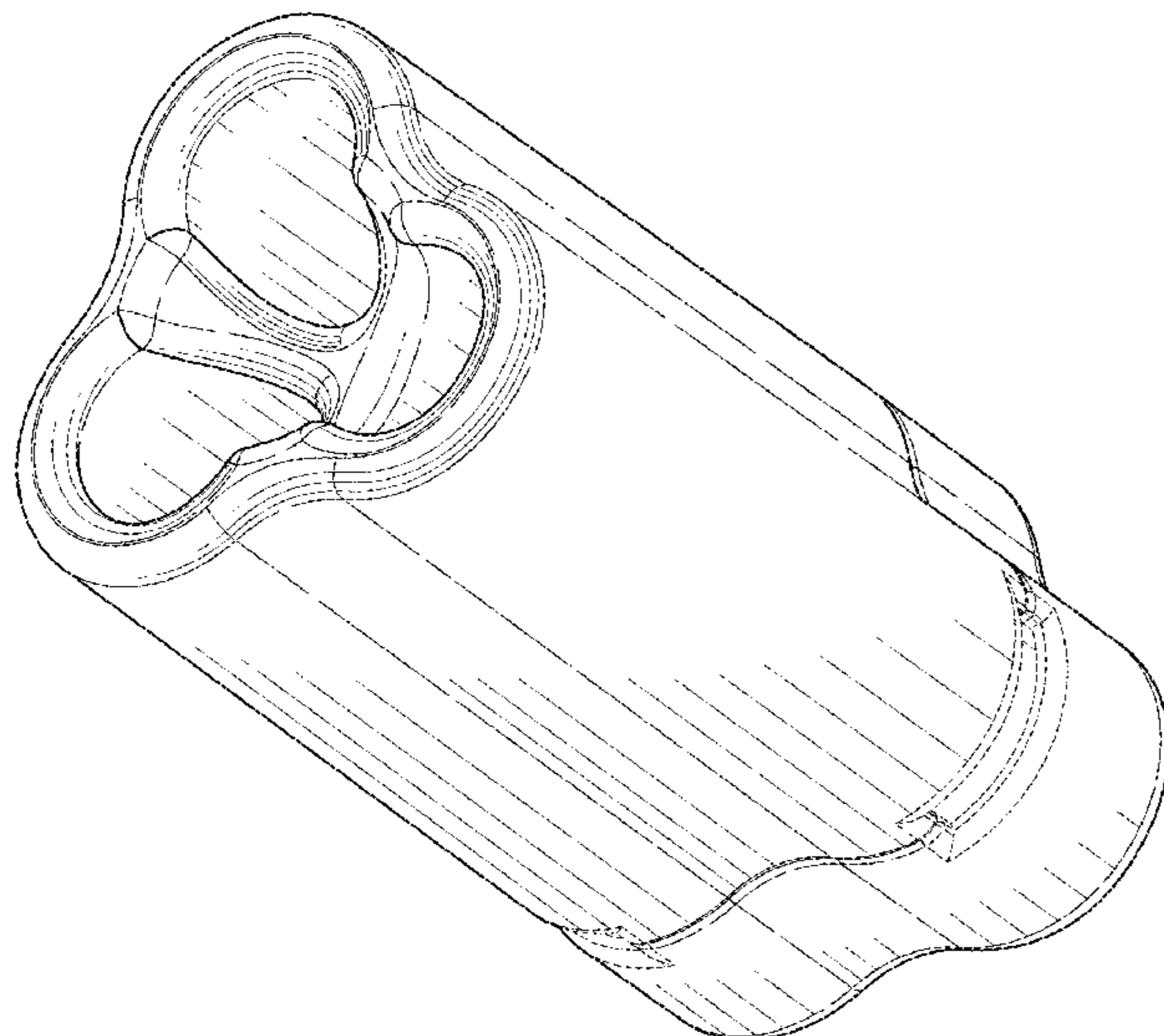
(57) **CLAIM**

The ornamental design for a toy projectile shell housing, as shown and described.

**DESCRIPTION**

FIG. 1 is a front perspective view of the toy projectile shell housing of the instant invention;  
FIG. 2 is a rear perspective view of the toy projectile shell housing of the instant invention;  
FIG. 3 is a top plan view thereof;  
FIG. 4 is a bottom plan elevational view thereof;  
FIG. 5 is a right side elevational view thereof;  
FIG. 6 is a left side elevational view thereof;  
FIG. 7 is a front elevational view thereof; and,  
FIG. 8 is a rear elevational view thereof.  
The broken lines are for the purpose of illustrating portions of the article that form no part of the claim.

**1 Claim, 5 Drawing Sheets**



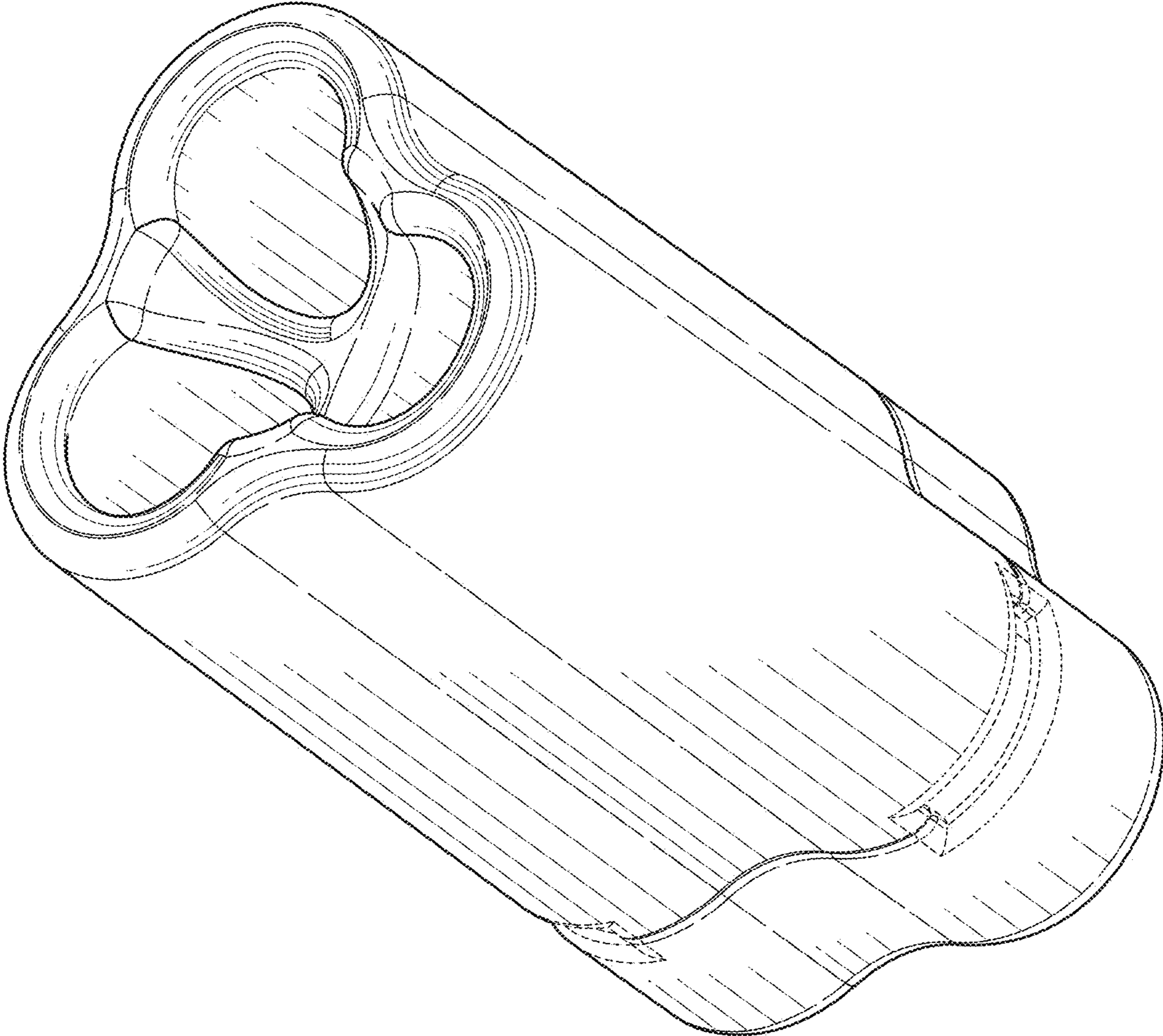


FIG. 1

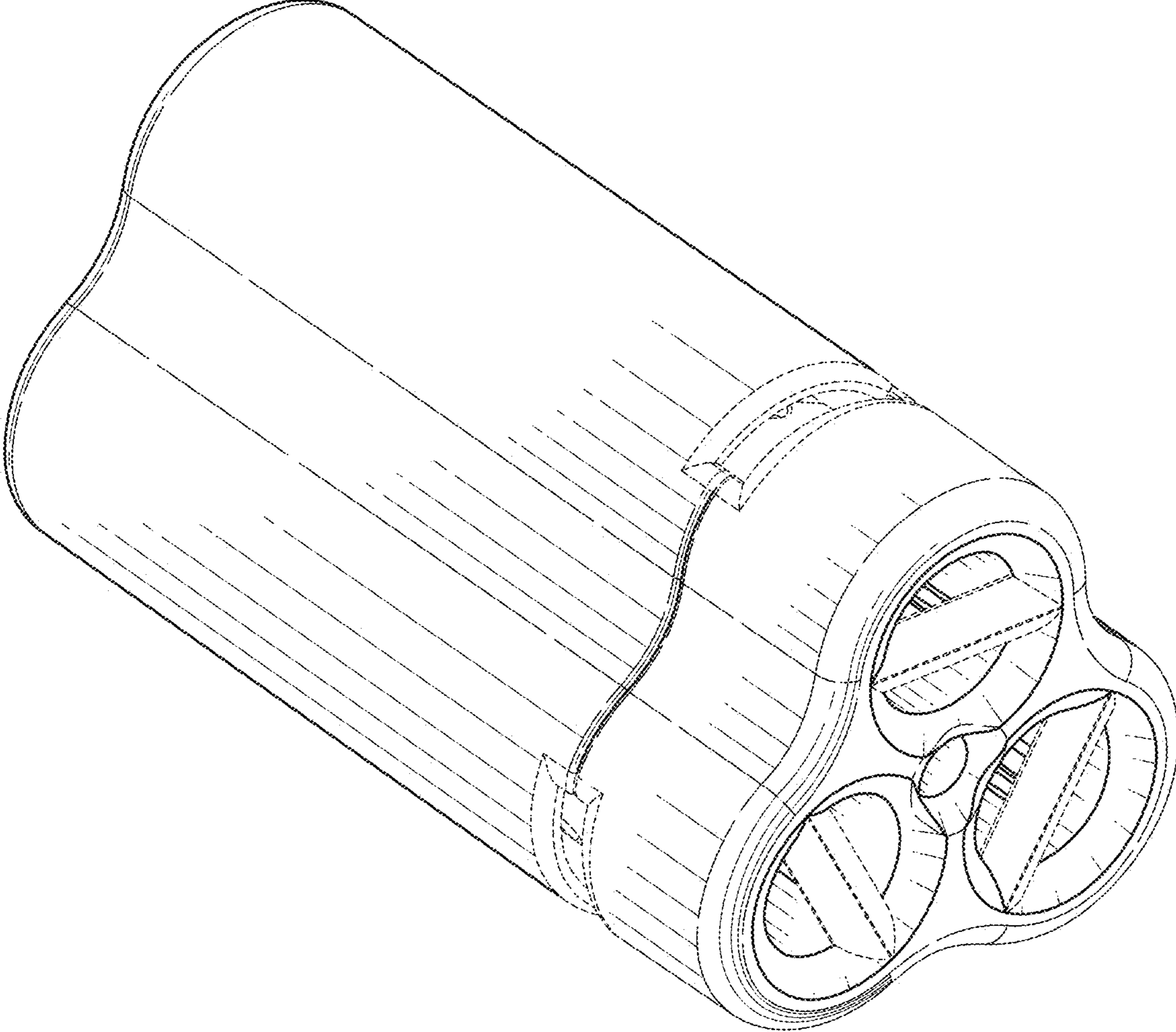


FIG. 2

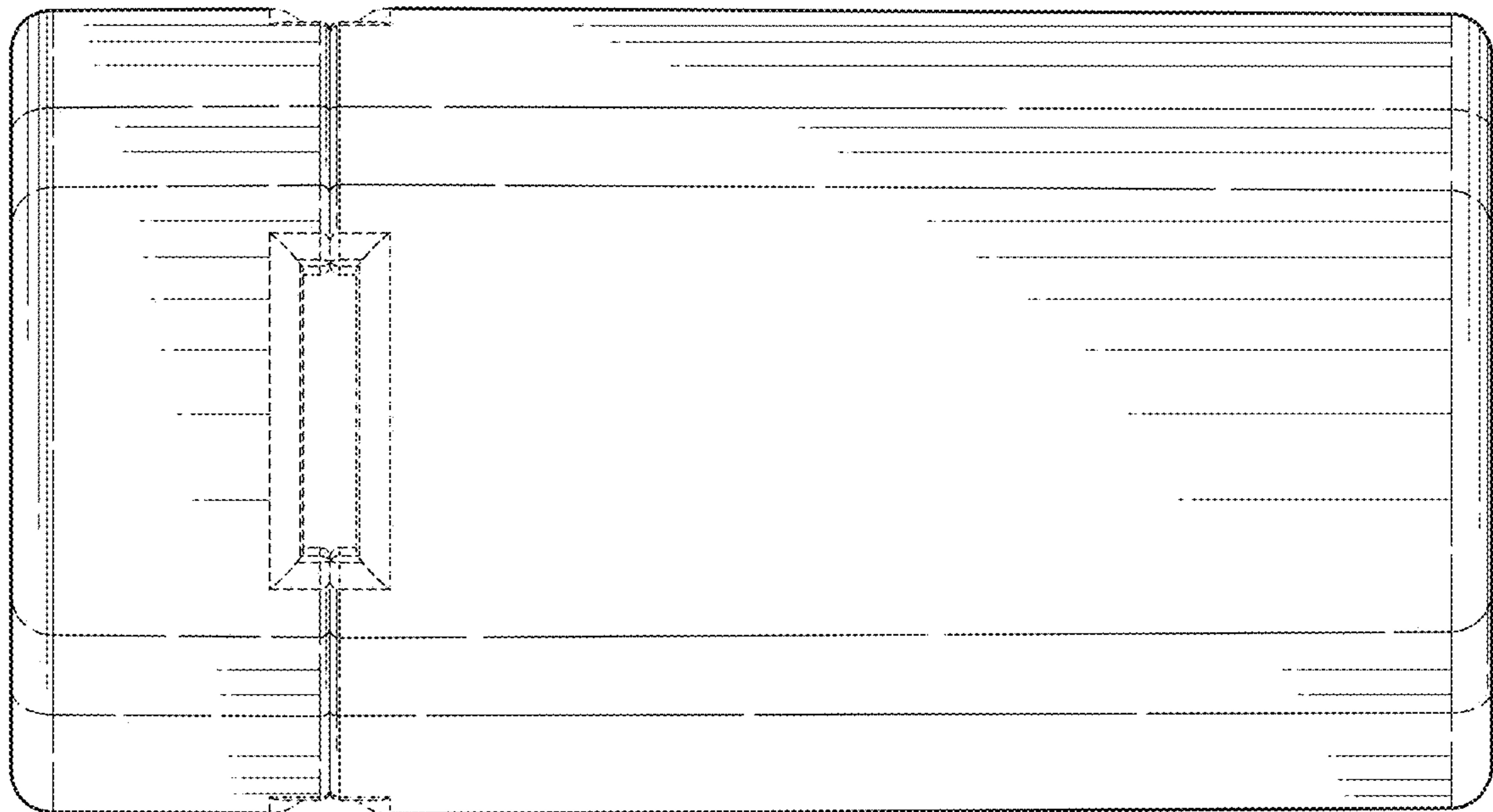


FIG. 3

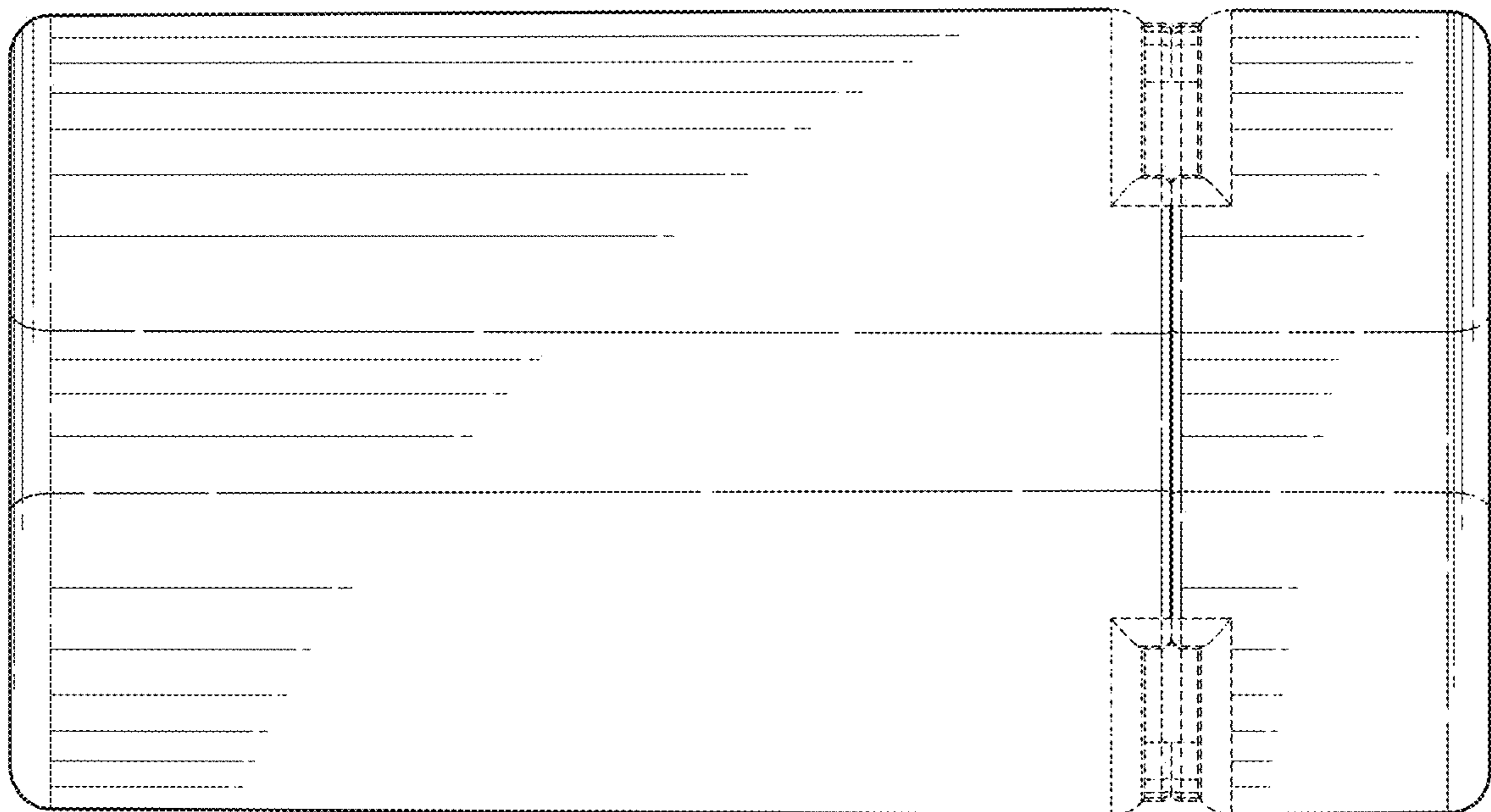


FIG. 4

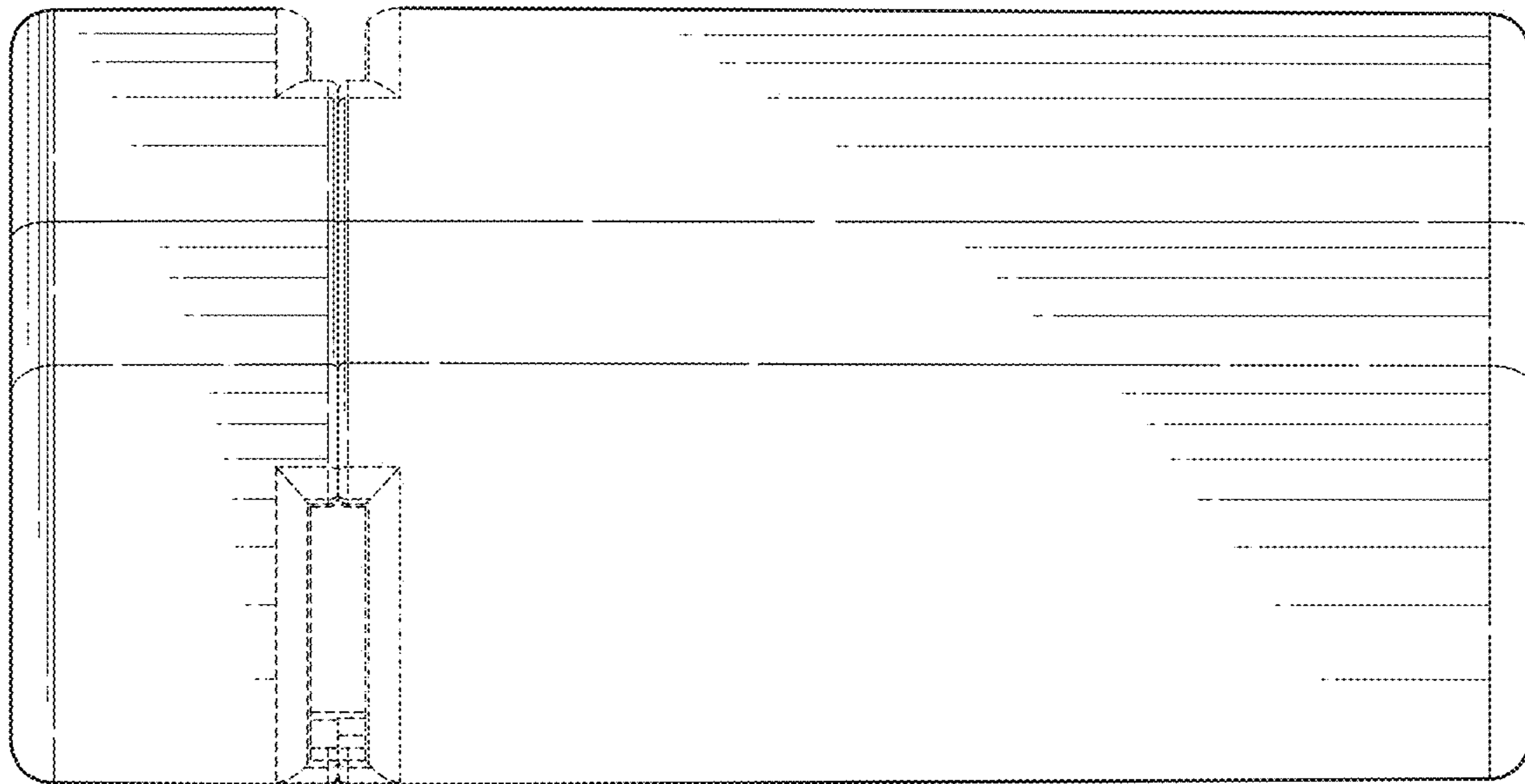


FIG. 5

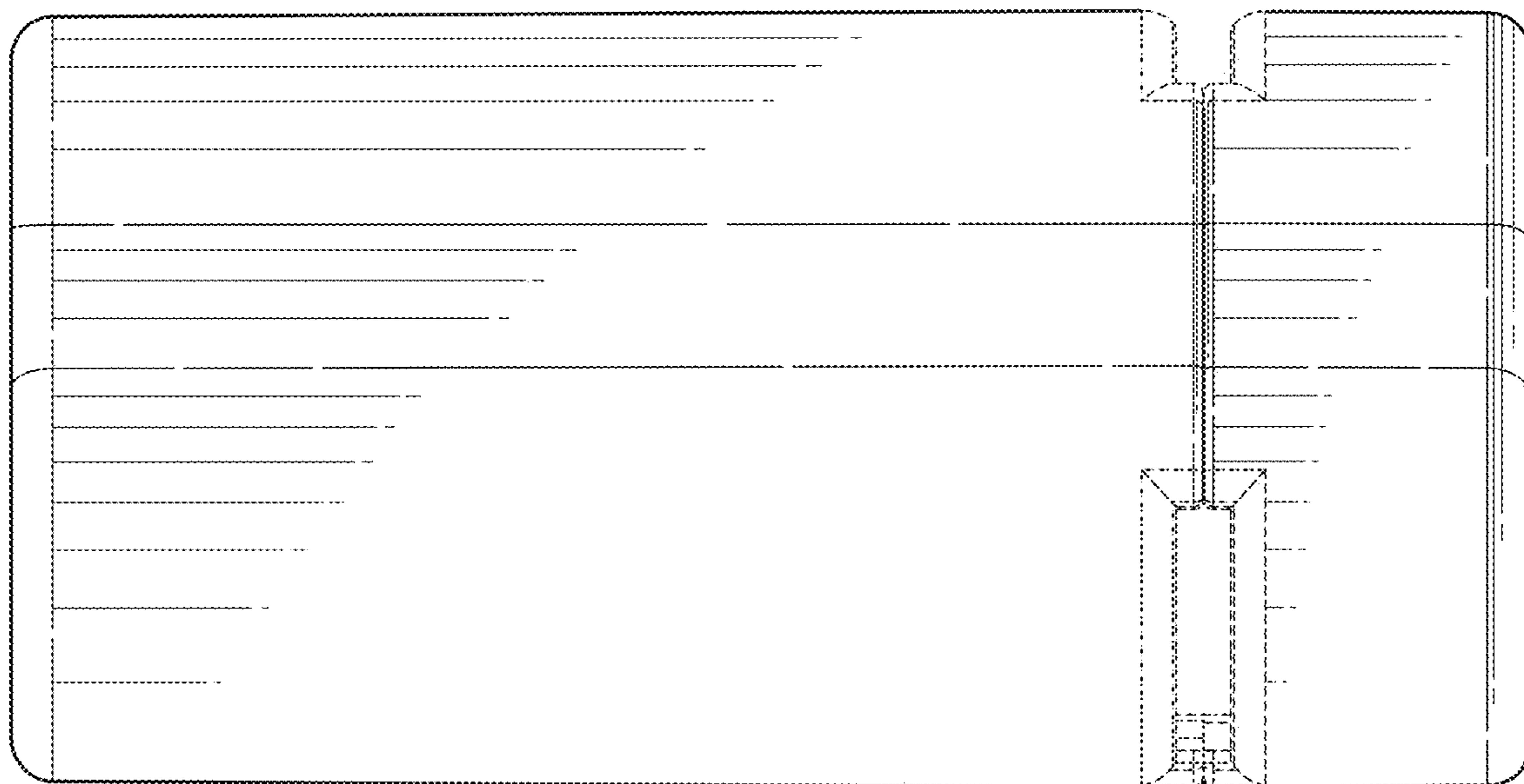


FIG. 6

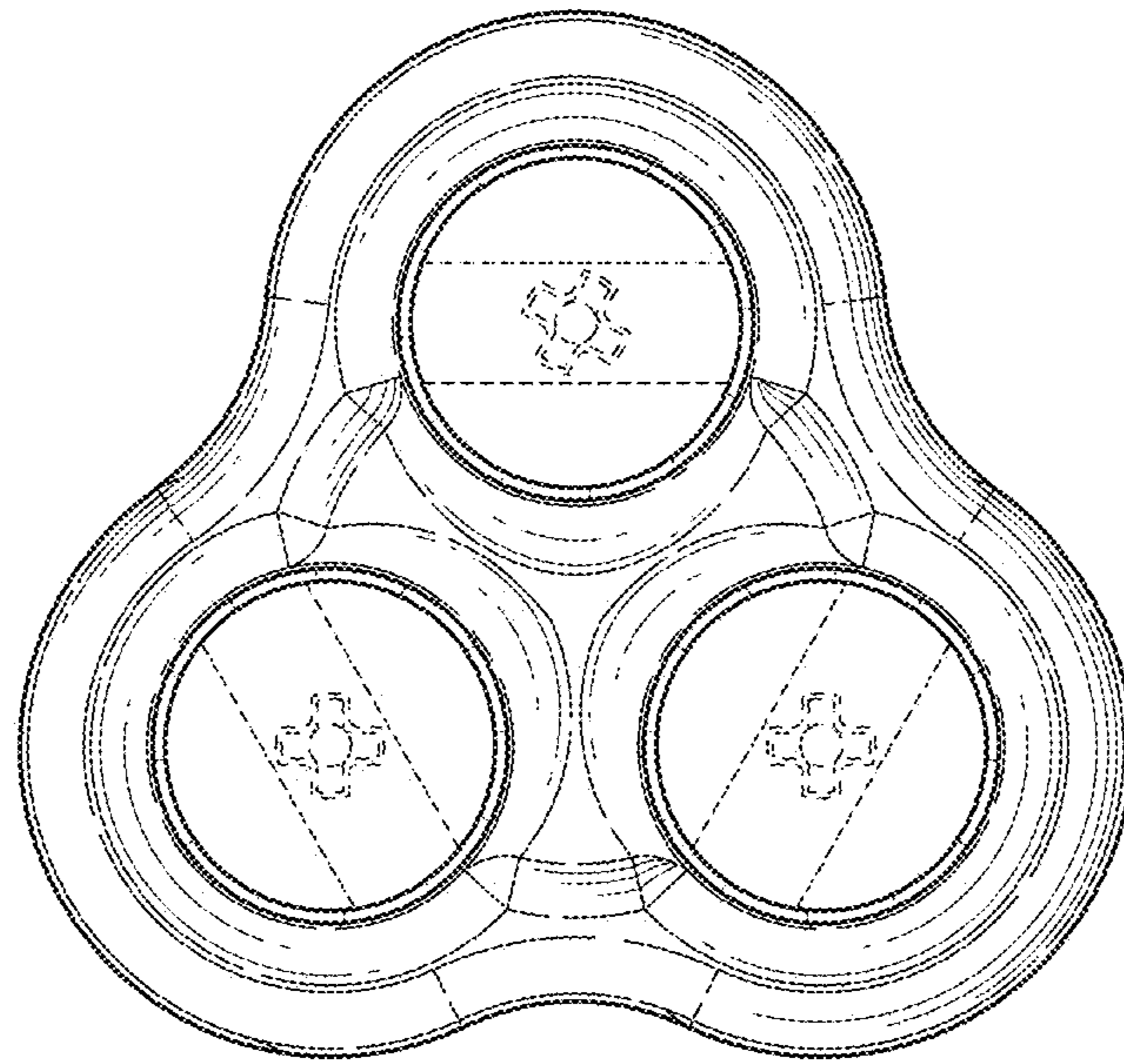


FIG. 7

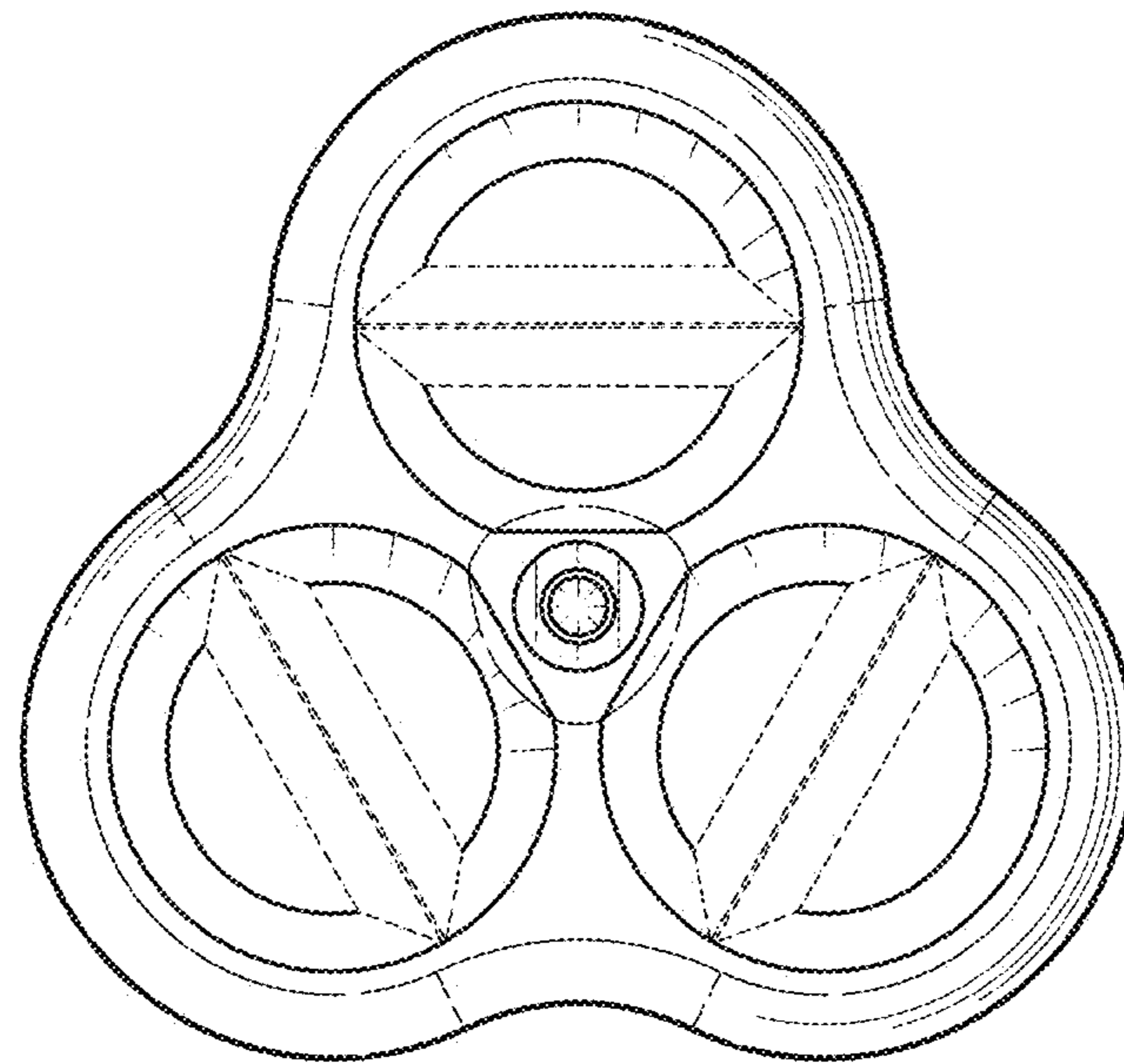


FIG. 8