

US00D878486S

(12) **United States Design Patent**
Balanchi

(10) **Patent No.:** **US D878,486 S**
(45) **Date of Patent:** **** Mar. 17, 2020**

(54) **TOY TRACK SEGMENT**
(71) Applicant: **MINDSCOPE PRODUCTS**, Glendale, CA (US)
(72) Inventor: **George Balanchi**, Pasadena, CA (US)
(73) Assignee: **MINDSCOPE PRODUCTS**, Glendale, CA (US)
(**) Term: **15 Years**

D481,424 S * 10/2003 Rothkopf D21/565
D493,849 S * 8/2004 Elia D21/565
6,883,720 B2 * 4/2005 D'Angelo, Jr. A63H 18/02
104/61
D632,348 S * 2/2011 McNutt D21/565
D644,696 S * 9/2011 Mimlitch, III D21/565
D644,697 S * 9/2011 Mimlitch, III D21/565
D645,913 S * 9/2011 Beauregard D21/565
D651,661 S * 1/2012 Yuen D21/565
D660,379 S * 5/2012 Glickman D21/565
D660,380 S * 5/2012 Glickman D21/565
D689,141 S * 9/2013 Mimlitch, III D21/565
D689,143 S * 9/2013 Mimlitch, III D21/565
D689,144 S * 9/2013 Mimlitch, III D21/565

(21) Appl. No.: **29/651,191**
(22) Filed: **Feb. 7, 2018**
(51) **LOC (12) Cl.** **21-01**
(52) **U.S. Cl.**
USPC **D21/565**
(58) **Field of Classification Search**
USPC D21/484, 490, 493, 509, 564, 565, 802,
D21/818, 821
CPC A63H 19/24; A63H 19/28; A63H 19/30;
A63H 19/32; A63H 19/36; A63H 21/00;
A63H 21/02; A63H 21/04; A63H 18/00;
A63H 18/02; A63H 18/021; A63H
18/025; A63H 18/028; A63H 18/04;
A63H 18/06; A63H 18/16; E01B 23/00;
E01B 23/02; E01B 23/04; E01B 23/06
See application file for complete search history.

(Continued)

Primary Examiner — Manpreet S Matharu

Assistant Examiner — Keith J Wilson

(74) *Attorney, Agent, or Firm* — Jonathan E. Grant; Grant Patent Services

(56) **References Cited**

U.S. PATENT DOCUMENTS

D203,937 S * 3/1966 Dunbar D21/564
D246,196 S * 10/1977 Suzuki D21/564
D248,887 S * 8/1978 Tanaka D21/564
D296,804 S * 7/1988 Bach D21/565
D296,806 S * 7/1988 Bach D21/565
D344,306 S * 2/1994 Ruskai D21/565
D344,992 S * 3/1994 Ruskai D21/565
D412,949 S * 8/1999 Nielsen D21/493
D421,281 S * 2/2000 Riley D21/564

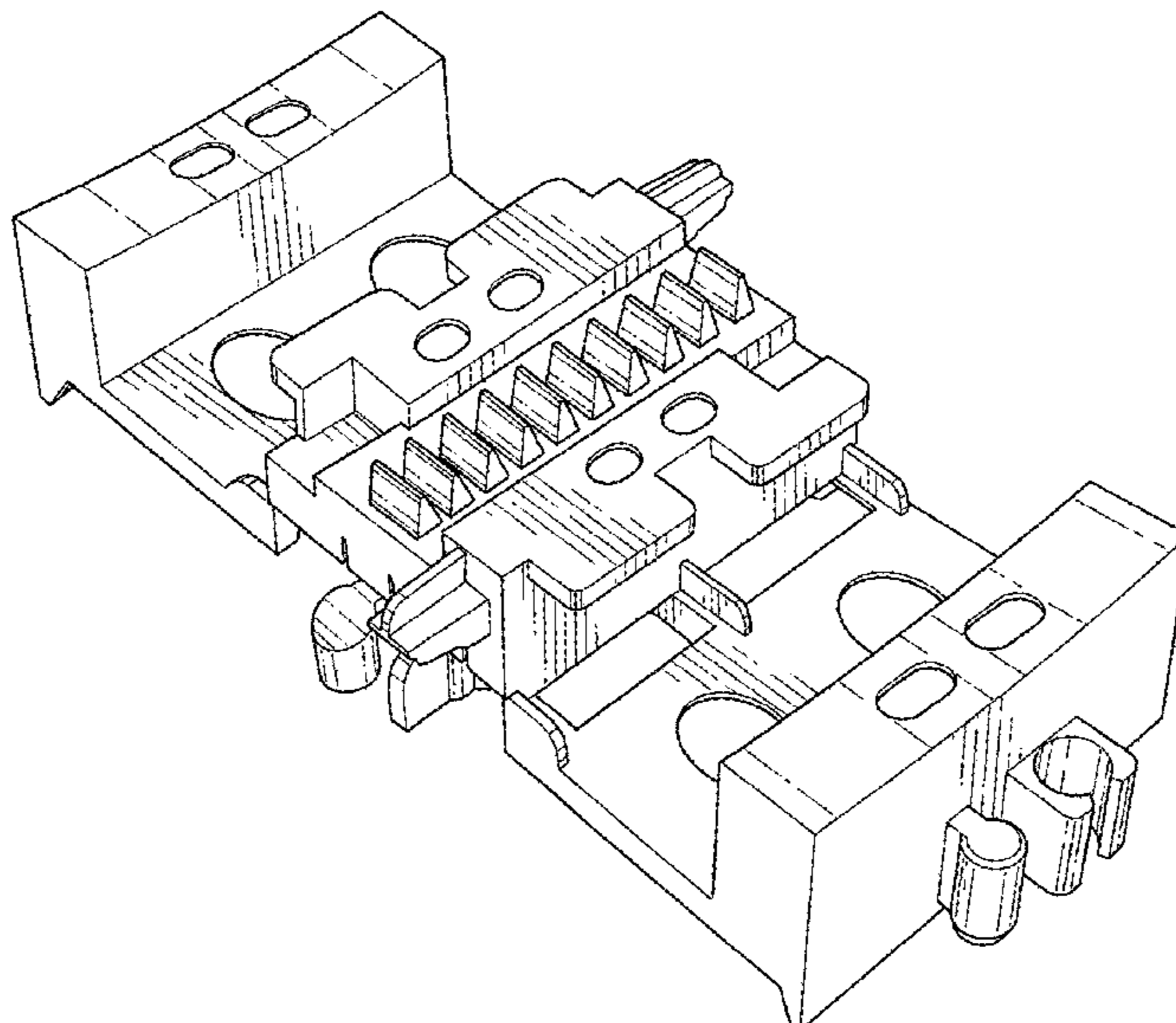
(57) **CLAIM**

I claim the ornamental design for a toy track segment, as shown and described.

DESCRIPTION

FIG. 1—is a perspective view of the toy track segment;
FIG. 2—is an overhead view thereof;
FIG. 3—is a bottom view thereof;
FIG. 4—is a first side view thereof;
FIG. 5 is a second side view thereof;
FIG. 6—is a front view thereof;
FIG. 7—is a back view thereof;
FIG. 8 is a perspective view showing the assembly of the toy track segment with environment; and,
FIG. 9 is a perspective view showing the connection of the track segment piece with a different environment.
The broken lines used in FIG. 3 represents portions of a toy track segment. The broken lines shown in FIGS. 8 and 9 represent environment only. All broken lines used form no part of the claimed design.

1 Claim, 7 Drawing Sheets



(56)

References Cited

U.S. PATENT DOCUMENTS

D689,145 S * 9/2013 Mimlitch, III D21/565
D689,959 S * 9/2013 Mimlitch, III D21/565
D692,070 S * 10/2013 Mimlitch, III D21/565
D707,757 S * 6/2014 Mimlitch, III D21/565
D717,887 S * 11/2014 Edwards D21/565
D725,718 S * 3/2015 Feit D21/564
D726,835 S * 4/2015 Edwards D21/565
D734,403 S * 7/2015 Womack D21/565
D741,418 S * 10/2015 Beauregard D21/565
D741,957 S * 10/2015 Beauregard D21/565
D828,880 S * 9/2018 Tiffin D21/564
D832,369 S * 10/2018 Johnson D21/564
2008/0265049 A1 * 10/2008 Stadlbauer A63H 18/02
238/10 F
2018/0128477 A1 * 5/2018 Balanchi A63H 18/02

* cited by examiner

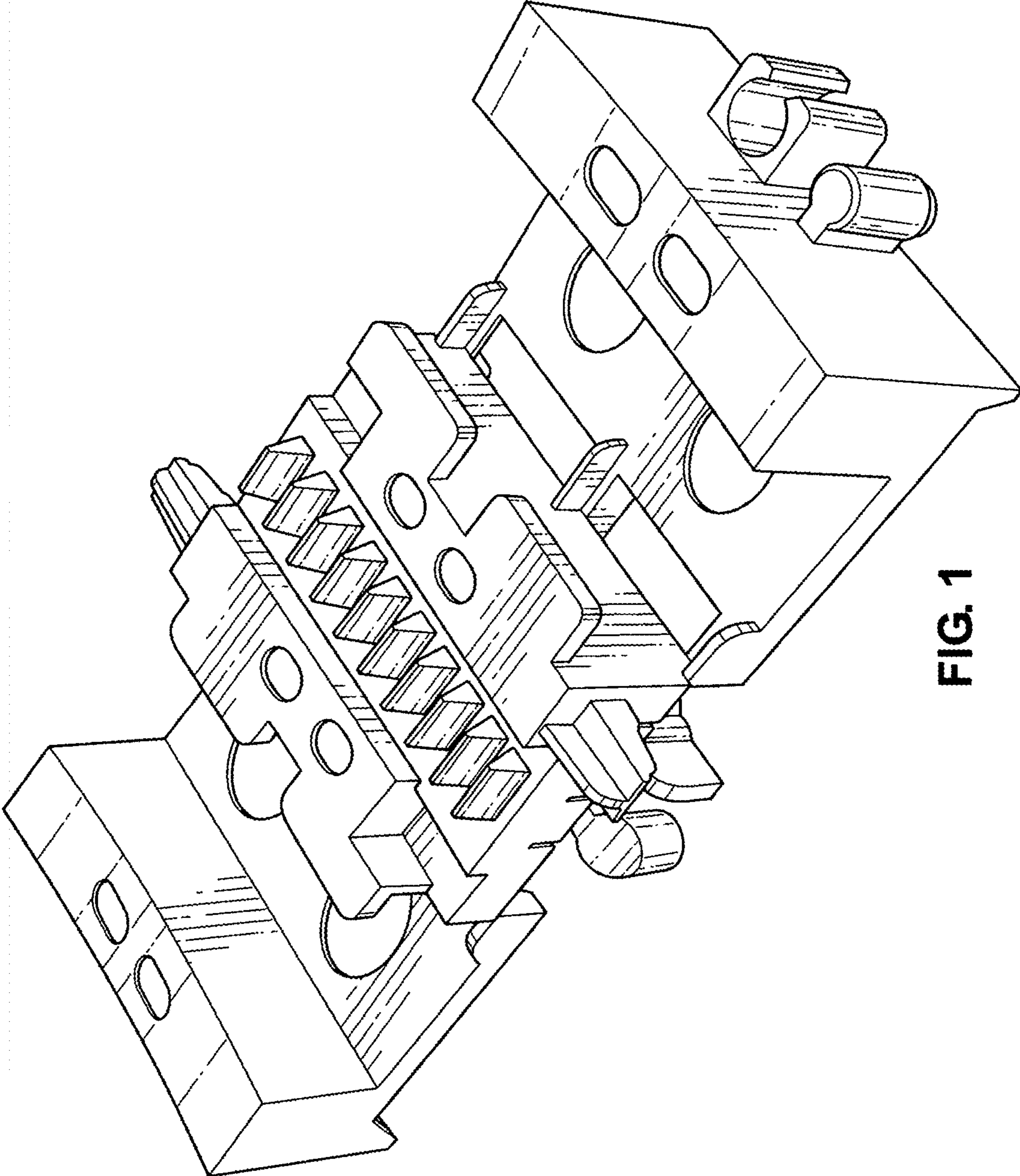


FIG. 1

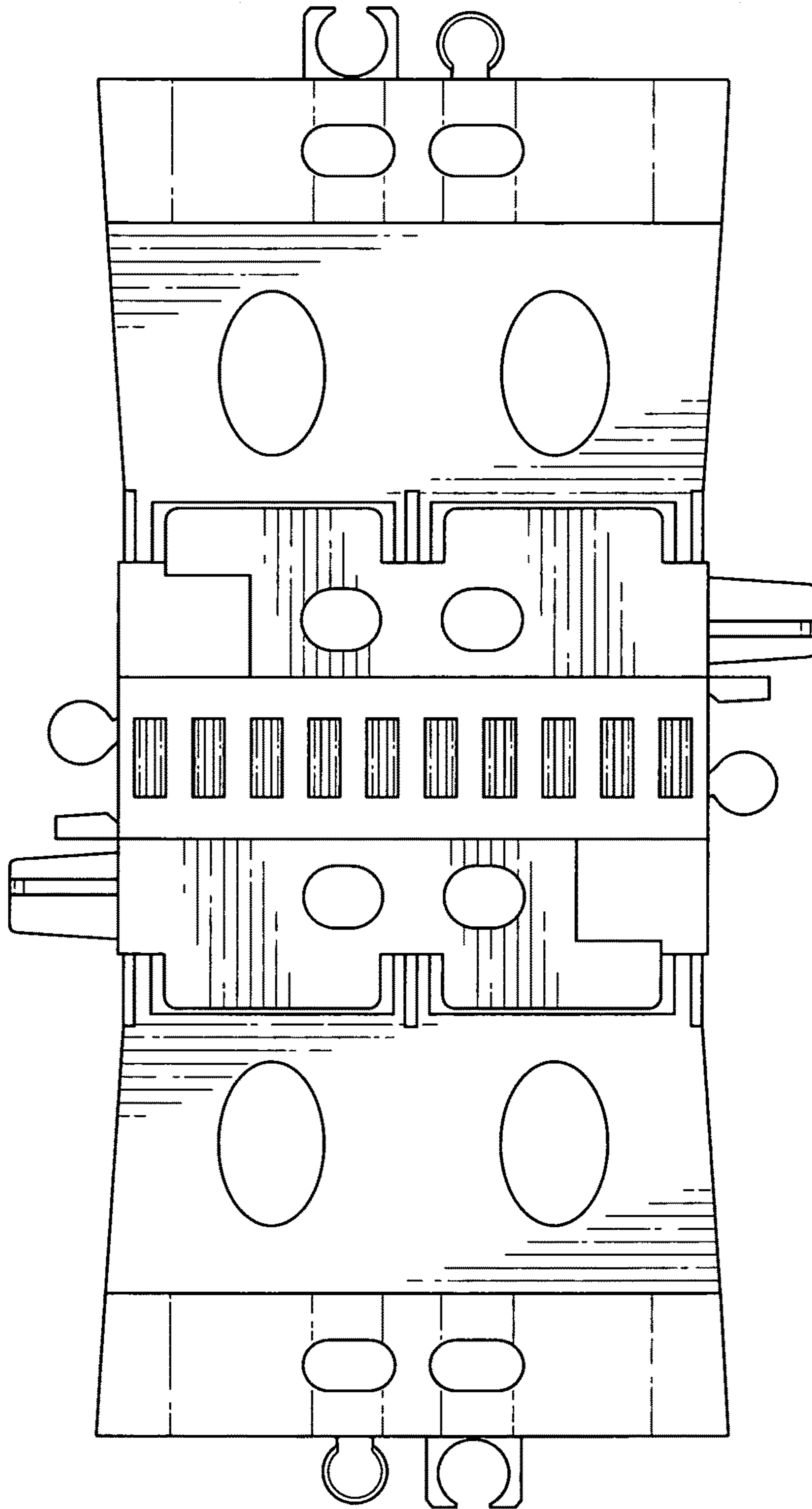


FIG. 2

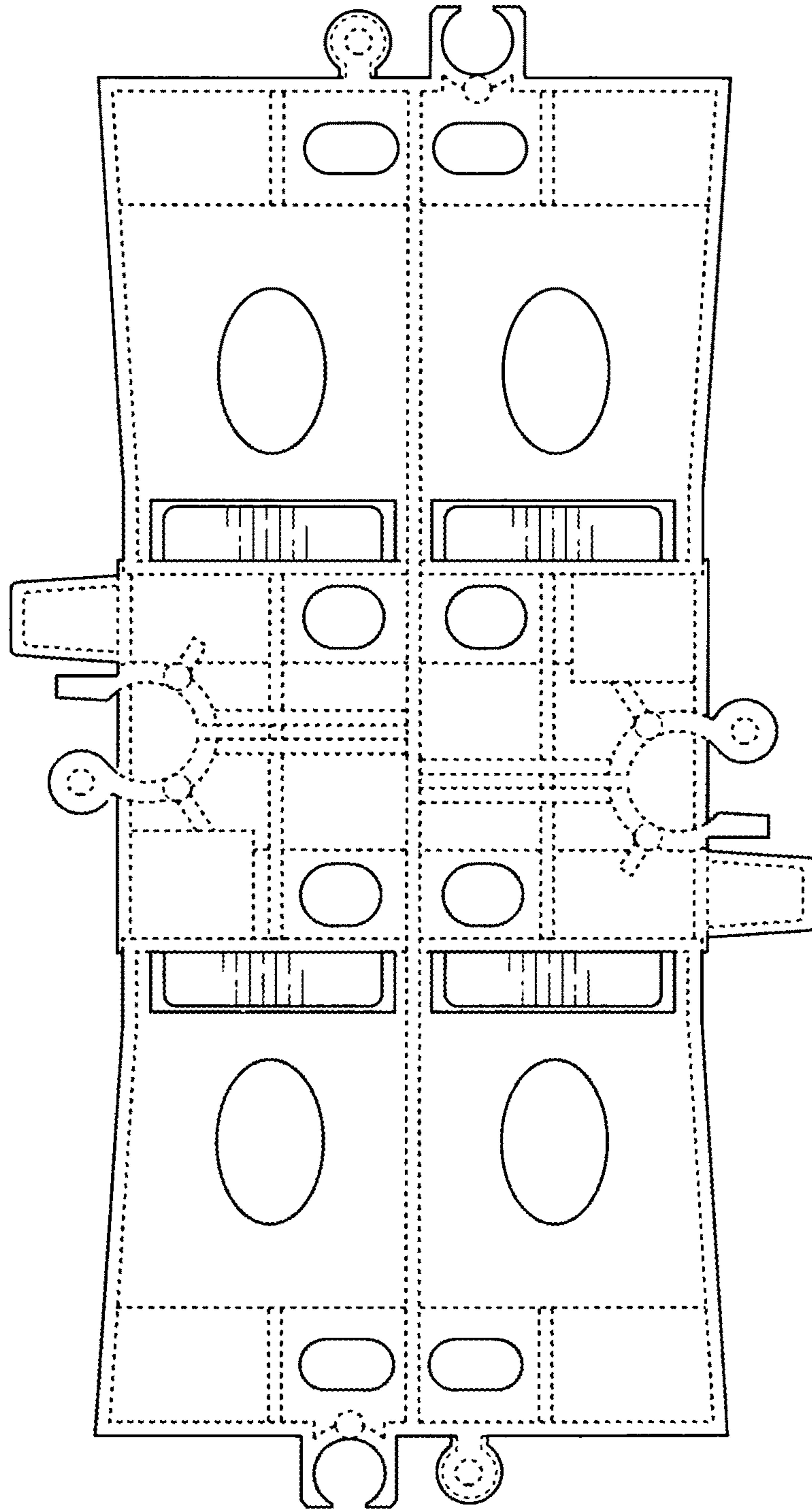


FIG. 3

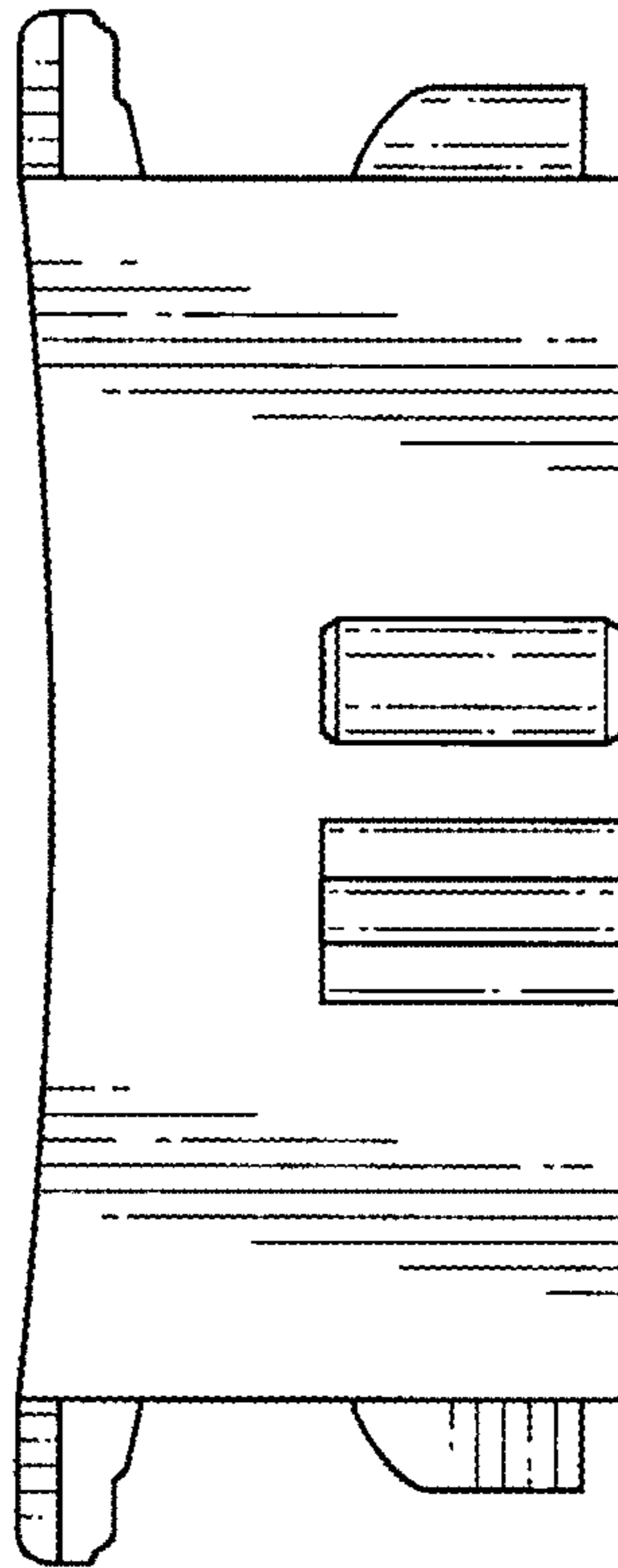


FIG. 5

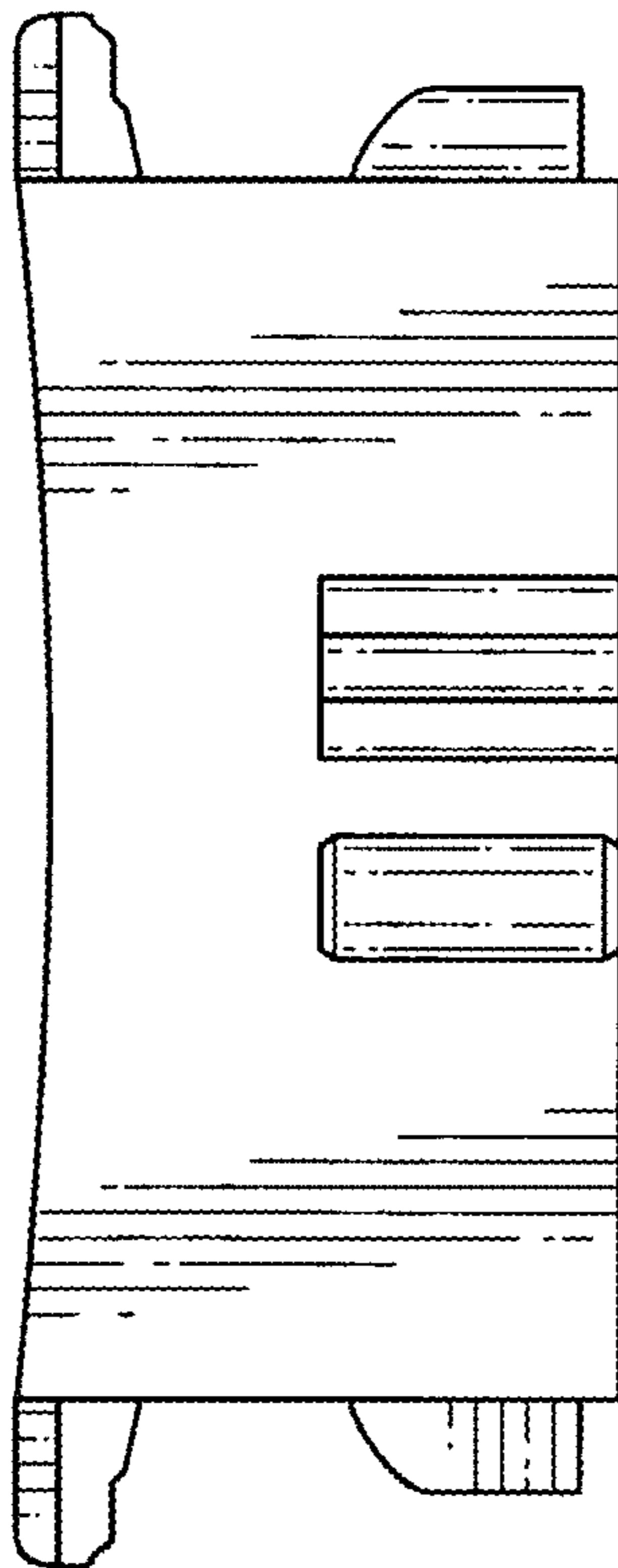


FIG. 4

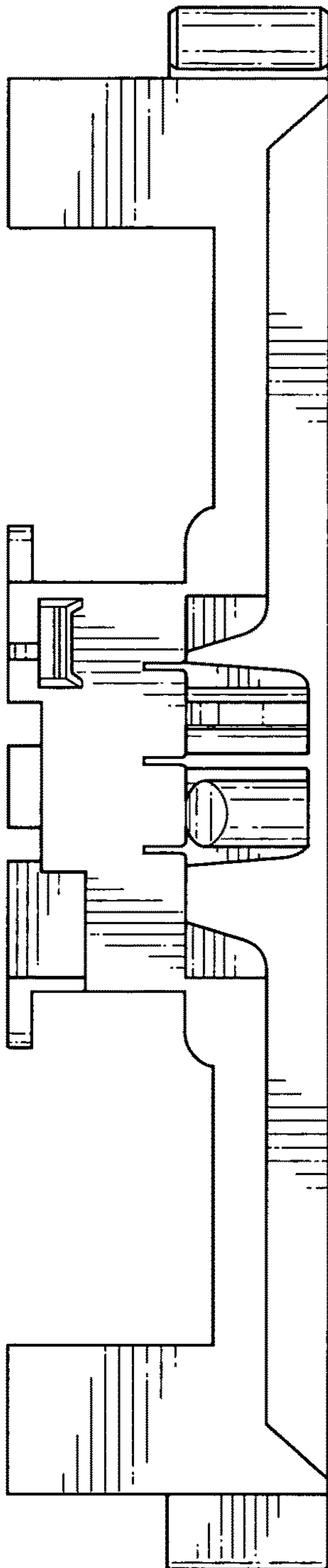


FIG. 6

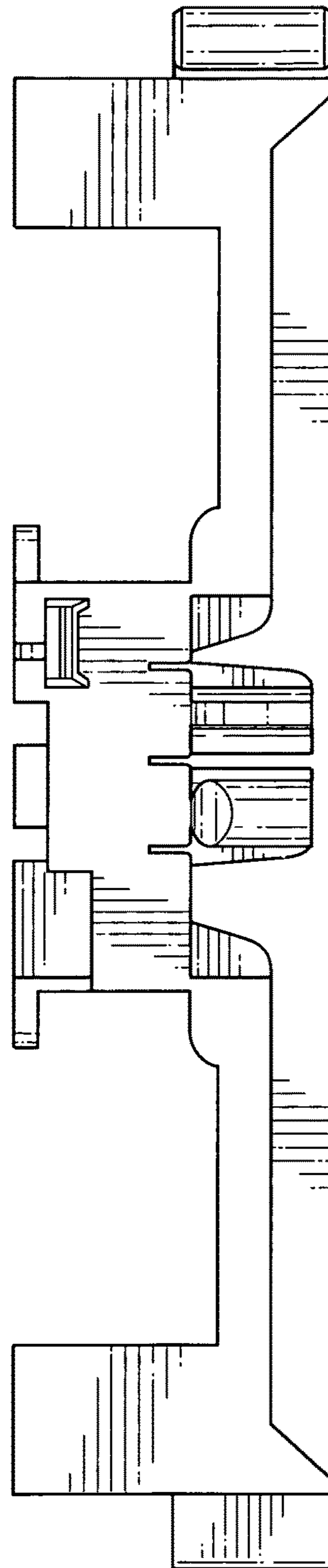


FIG. 7

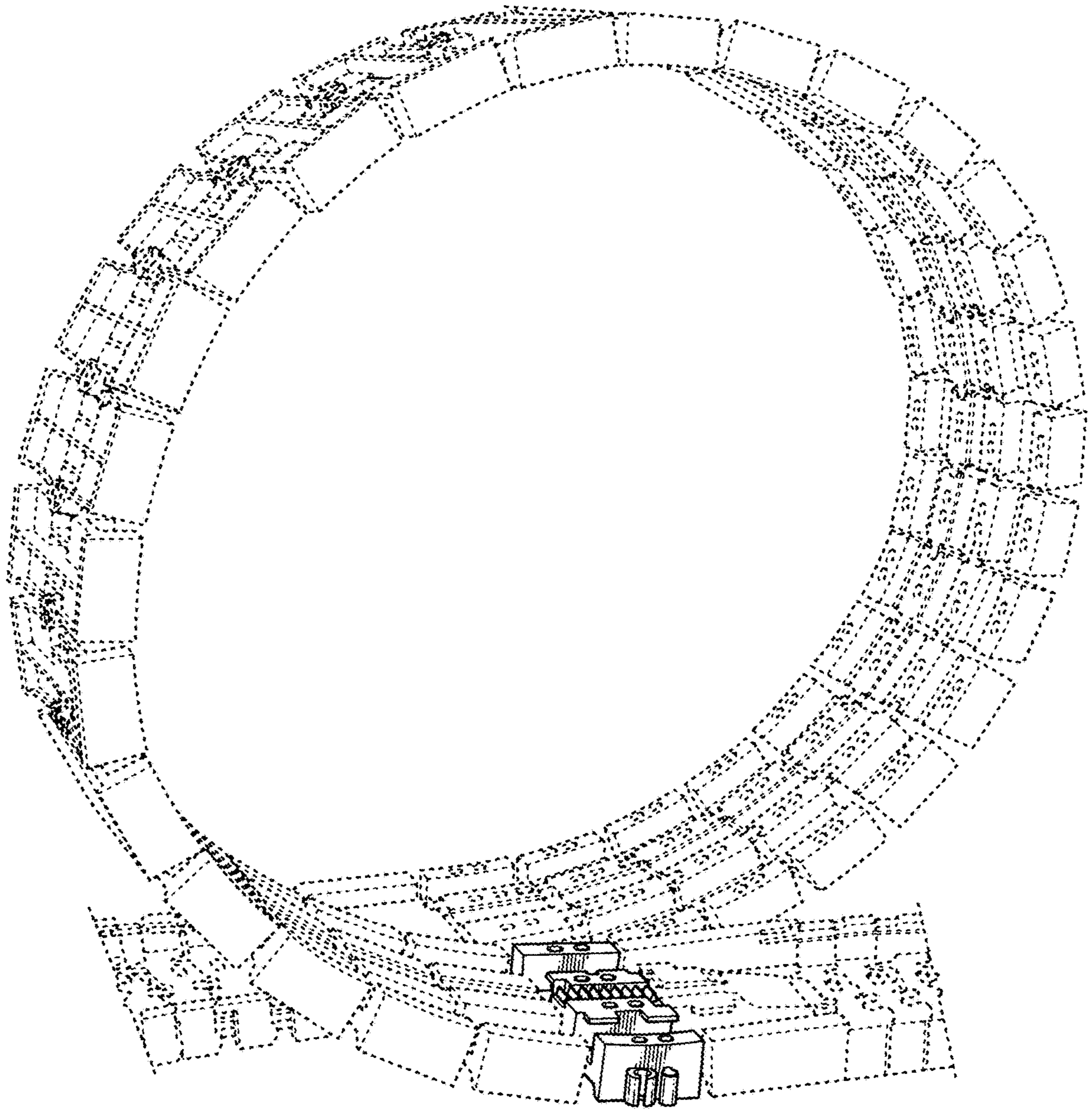


FIG. 8

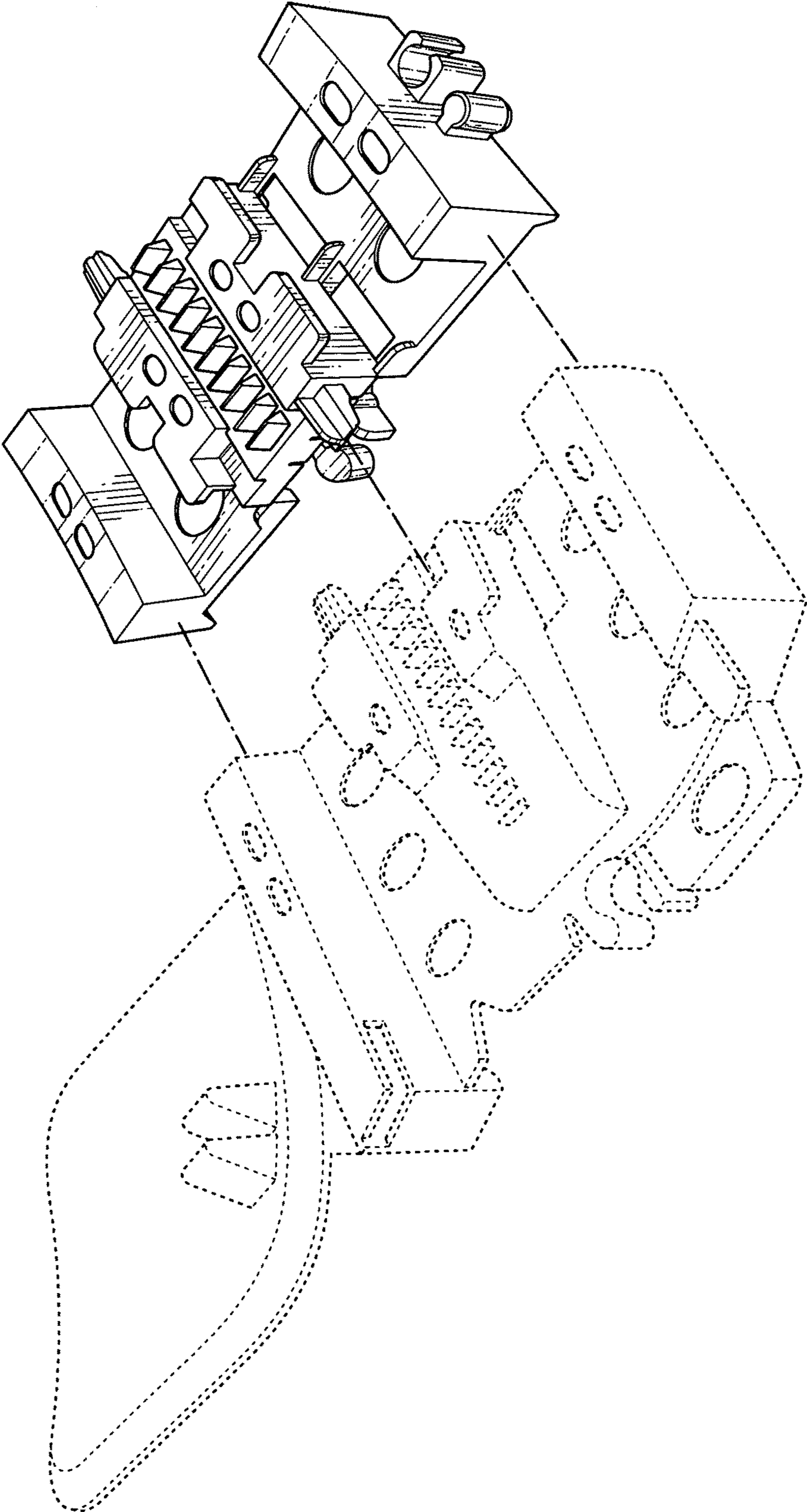


FIG. 9