



US00D878485S

(12) **United States Design Patent**
Balanchi

(10) **Patent No.:** **US D878,485 S**

(45) **Date of Patent:** **** Mar. 17, 2020**

(54) **TOY TRACK SEGMENT**

(71) Applicant: **MINDSCOPE PRODUCTS**, Glendale, CA (US)

(72) Inventor: **George Balanchi**, Pasadena, CA (US)

(73) Assignee: **MINDSCOPE PRODUCTS**, Glendale, CA (US)

(**) Term: **15 Years**

(21) Appl. No.: **29/651,190**

(22) Filed: **Feb. 7, 2018**

(51) **LOC (12) Cl.** **21-01**

(52) **U.S. Cl.**
USPC **D21/565**

(58) **Field of Classification Search**
USPC D21/484, 490, 493, 509, 564, 565, 802, D21/818, 821
CPC A63H 19/24; A63H 19/28; A63H 19/30; A63H 19/32; A63H 19/36; A63H 21/00; A63H 21/02; A63H 21/04; A63H 18/00; A63H 18/02; A63H 18/021; A63H 18/025; A63H 18/028; A63H 18/04; A63H 18/06; A63H 18/16; E01B 23/00; E01B 23/02; E01B 23/04; E01B 23/06
See application file for complete search history.

(56) **References Cited**

U.S. PATENT DOCUMENTS

D203,937 S *	3/1966	Dunbar	D21/564
D246,196 S *	10/1977	Suzuki	D21/564
D248,887 S *	8/1978	Tanaka	D21/564
D296,804 S *	7/1988	Bach	D21/565
D296,806 S *	7/1988	Bach	D21/565
D344,306 S *	2/1994	Ruszkai	D21/565
D344,992 S *	3/1994	Ruszkai	D21/565
D412,949 S *	8/1999	Nielsen	D21/493
D421,281 S *	2/2000	Riley	D21/564

D481,424 S *	10/2003	Rothkopf	D21/565
D493,849 S *	8/2004	Elia	D21/565
6,883,720 B2 *	4/2005	D'Angelo, Jr.	A63H 18/02 104/61
D632,348 S *	2/2011	McNutt	D21/565
D644,696 S *	9/2011	Mimlitch, III	D21/565
D644,697 S *	9/2011	Mimlitch, III	D21/565
D645,913 S *	9/2011	Beauregard	D21/565
D651,661 S *	1/2012	Yuen	D21/565
D660,379 S *	5/2012	Glickman	D21/565
D660,380 S *	5/2012	Glickman	D21/565
D689,141 S *	9/2013	Mimlitch, III	D21/565
D689,143 S *	9/2013	Mimlitch, III	D21/565
D689,144 S *	9/2013	Mimlitch, III	D21/565

(Continued)

Primary Examiner — Manpreet S Matharu

Assistant Examiner — Keith J Wilson

(74) *Attorney, Agent, or Firm* — Jonathan E. Grant; Grant Patent Services

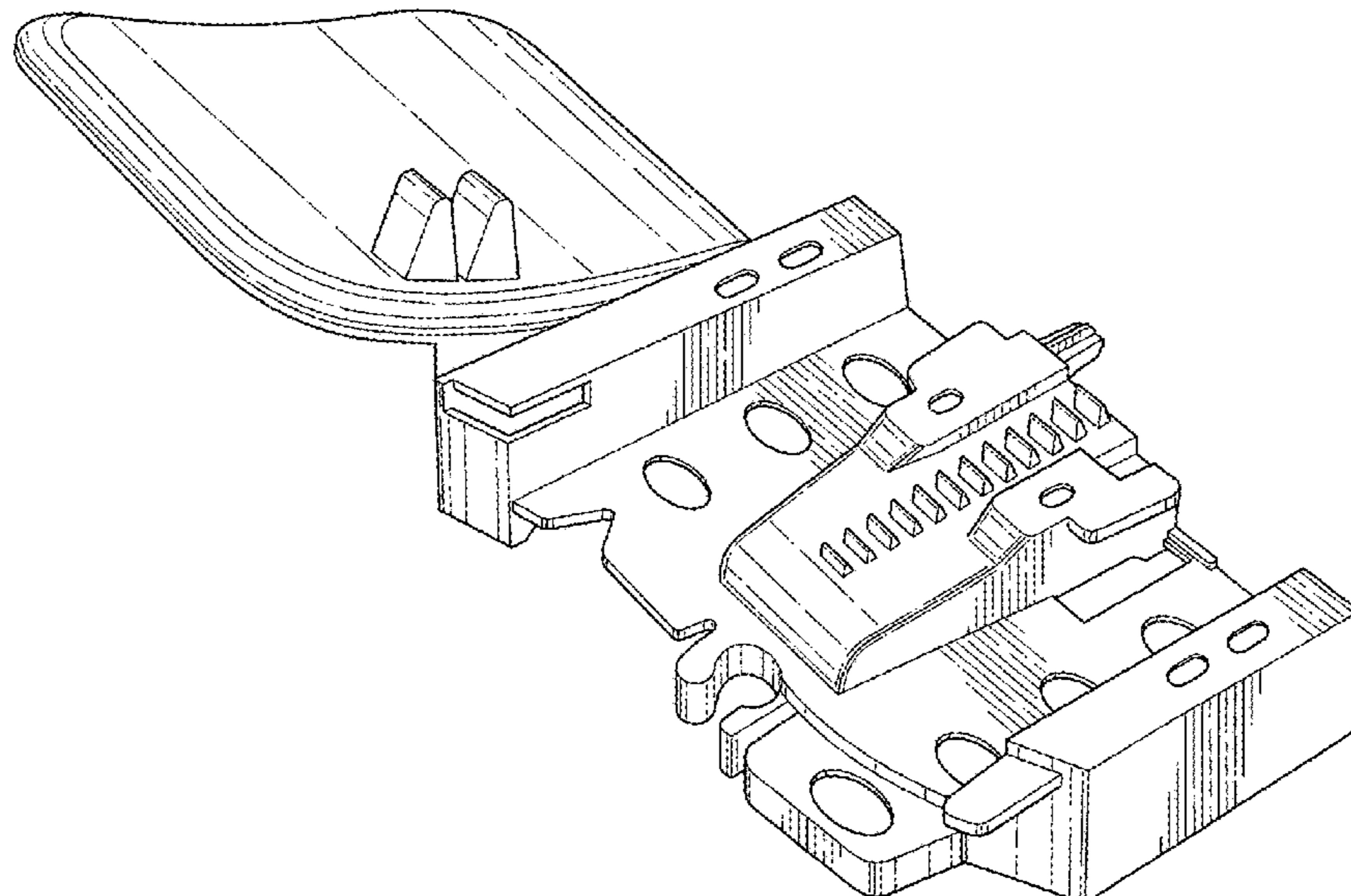
(57) **CLAIM**

I claim the ornamental design for a toy track segment, as shown and described.

DESCRIPTION

FIG. 1 - is a perspective view of the toy track segment;
FIG. 2 - is a front view thereof;
FIG. 3 - is a back view thereof;
FIG. 4 - is a first side view thereof;
FIG. 5 is a second side view thereof;
FIG. 6 - is a bottom view thereof;
FIG. 7 - is a top view thereof;
FIG. 8 is a perspective view showing the toy track segment with environment; and,
FIG. 9 is a perspective view showing the connection of the toy track segment with a different environment.
The broken lines used in FIG. 6 represents portions of a toy track segment. The broken lines shown in FIGS. 8 and 9 represent environment only. All broken lines used form no part of the claimed design.

1 Claim, 8 Drawing Sheets



(56)

References Cited

U.S. PATENT DOCUMENTS

D689,145	S *	9/2013	Mimlitch, III	D21/565
D689,959	S *	9/2013	Mimlitch, III	D21/565
D692,070	S *	10/2013	Mimlitch, III	D21/565
D707,757	S *	6/2014	Mimlitch, III	D21/565
D717,887	S *	11/2014	Edwards	D21/565
D725,718	S *	3/2015	Feit	D21/564
D726,835	S *	4/2015	Edwards	D21/565
D734,403	S *	7/2015	Womack	D21/565
D741,418	S *	10/2015	Beauregard	D21/565
D741,957	S *	10/2015	Beauregard	D21/565
D828,880	S *	9/2018	Tiffin	D21/564
D832,369	S *	10/2018	Johnson	D21/564
2008/0265049	A1 *	10/2008	Stadlbauer	A63H 18/02 238/10 F
2018/0128477	A1 *	5/2018	Balanchi	A63H 18/02

* cited by examiner

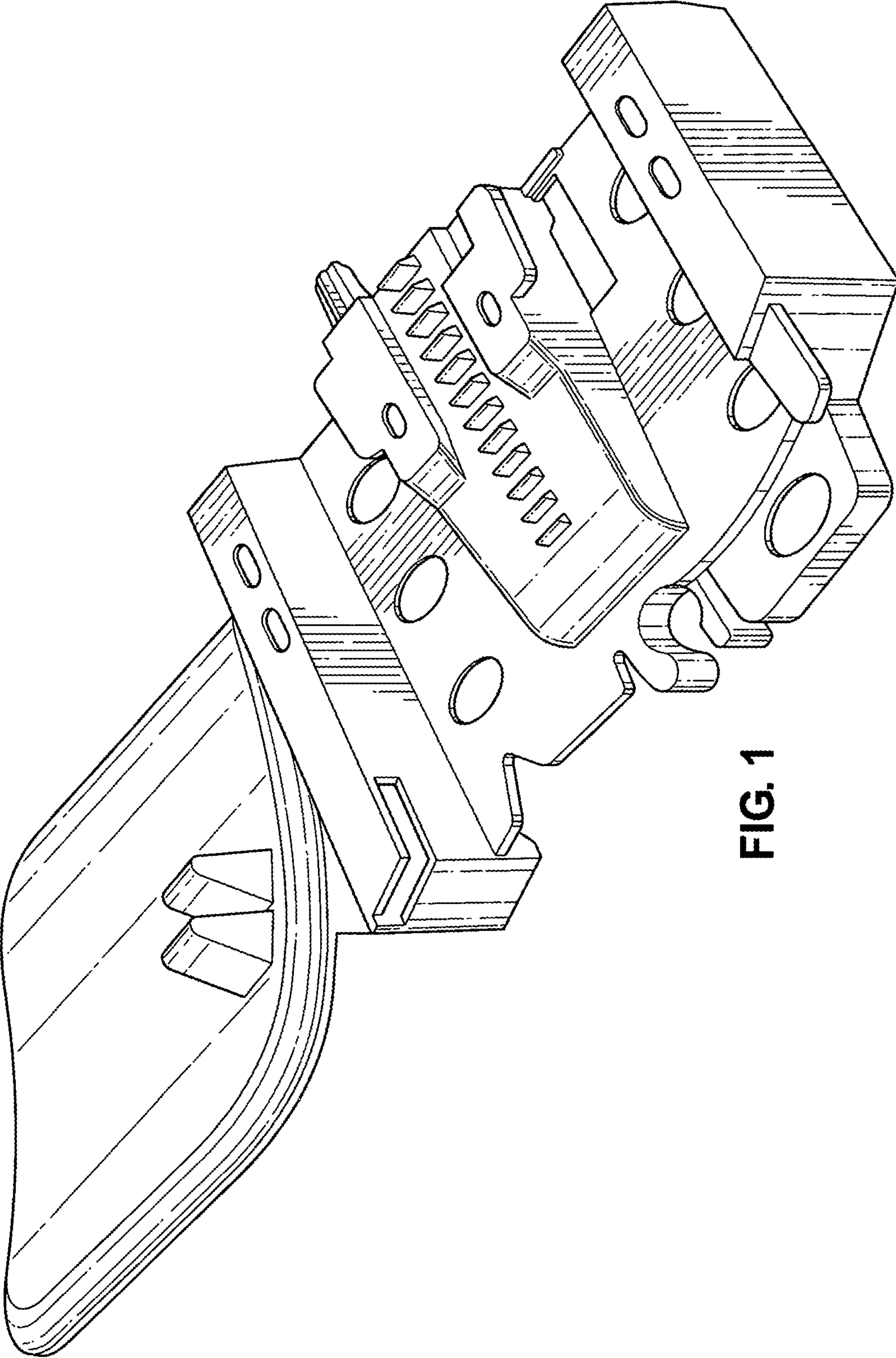


FIG. 1

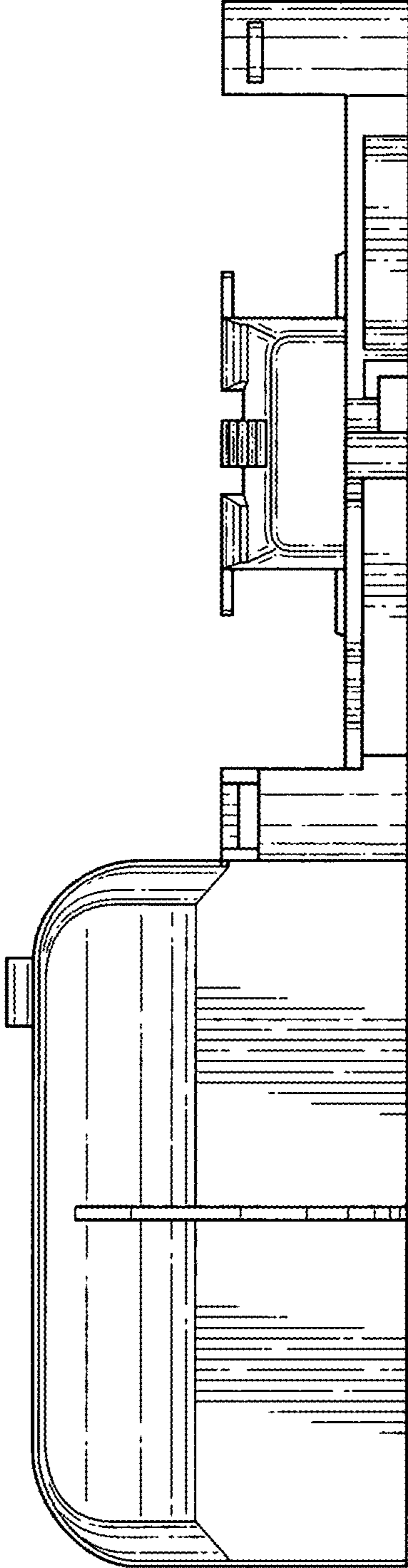


FIG. 2

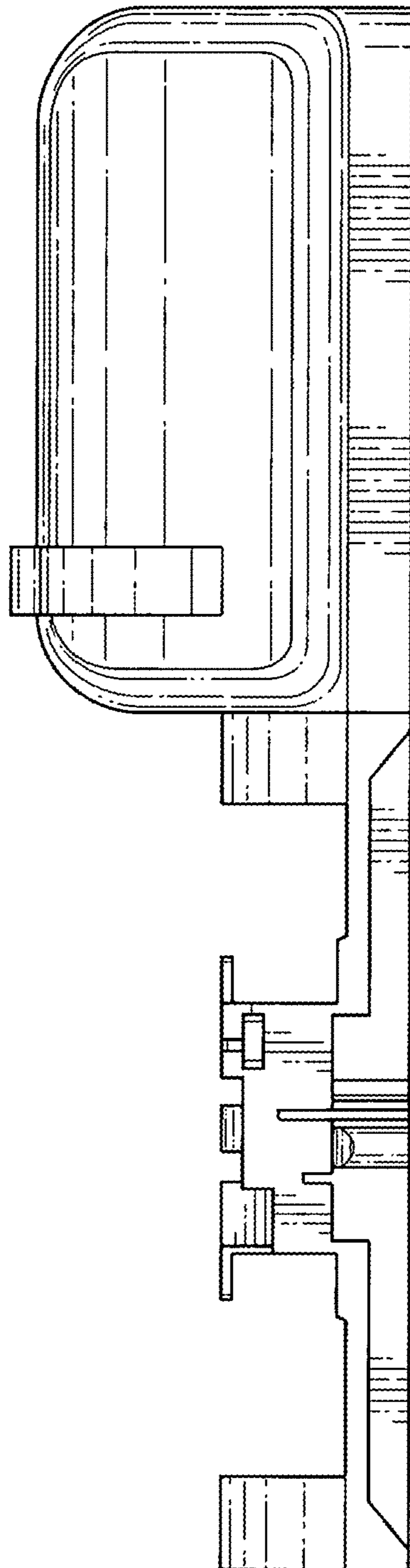


FIG. 3

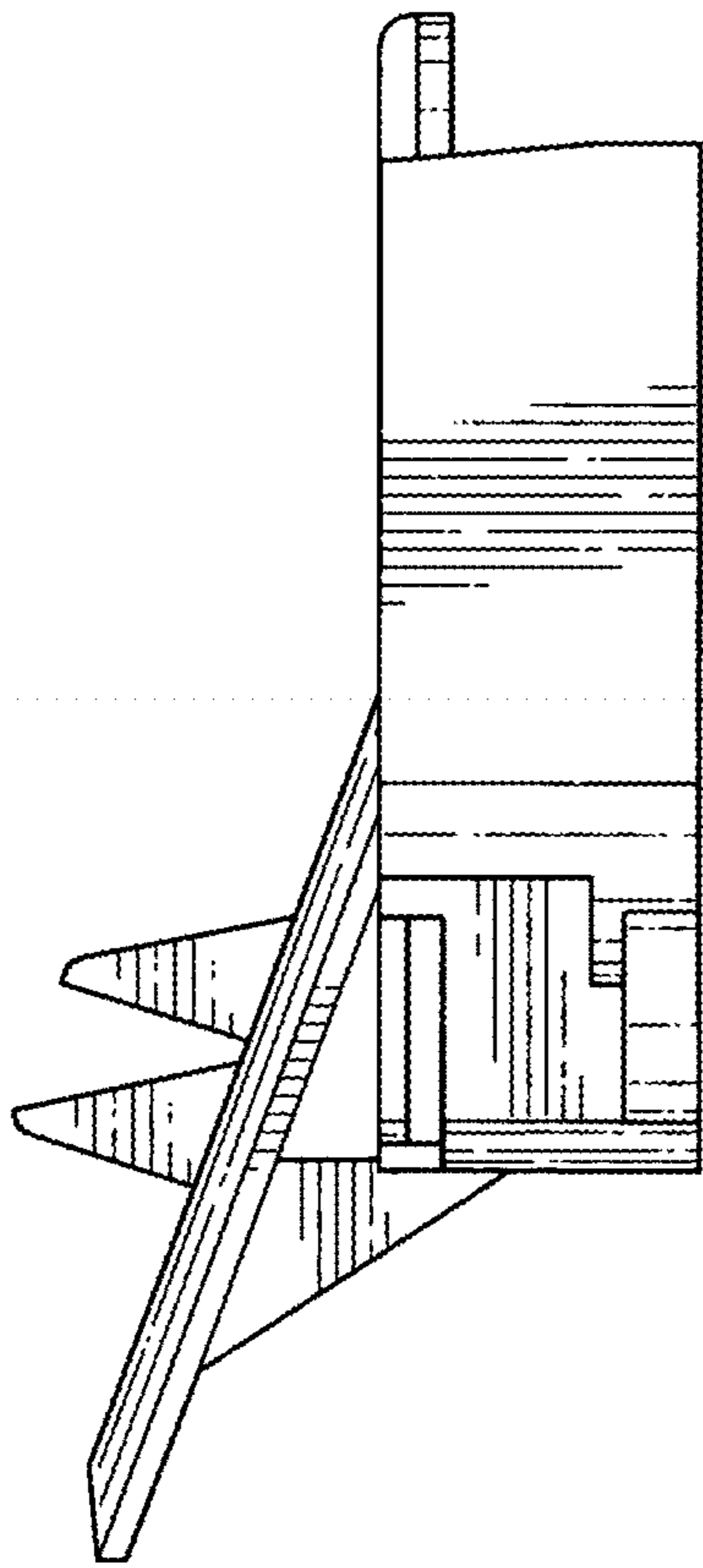


FIG. 4

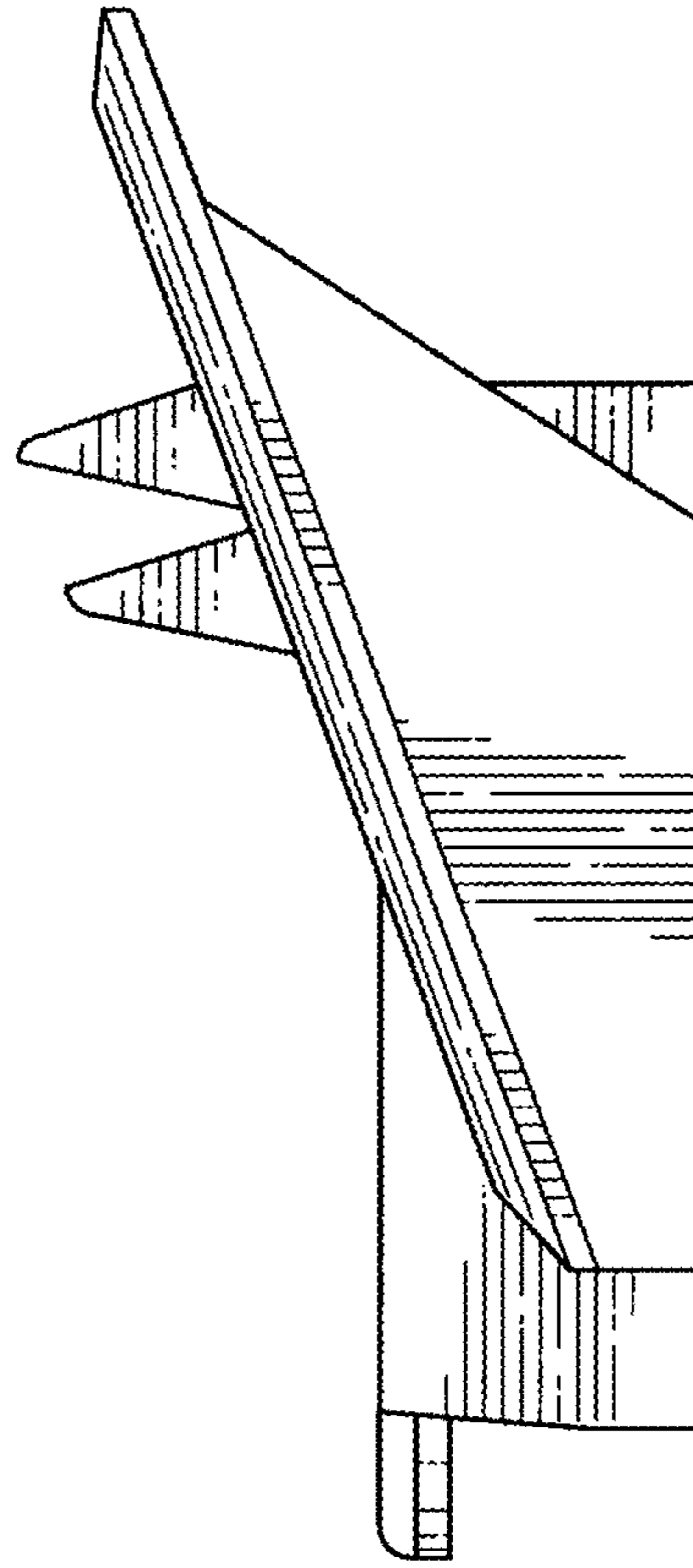


FIG. 5

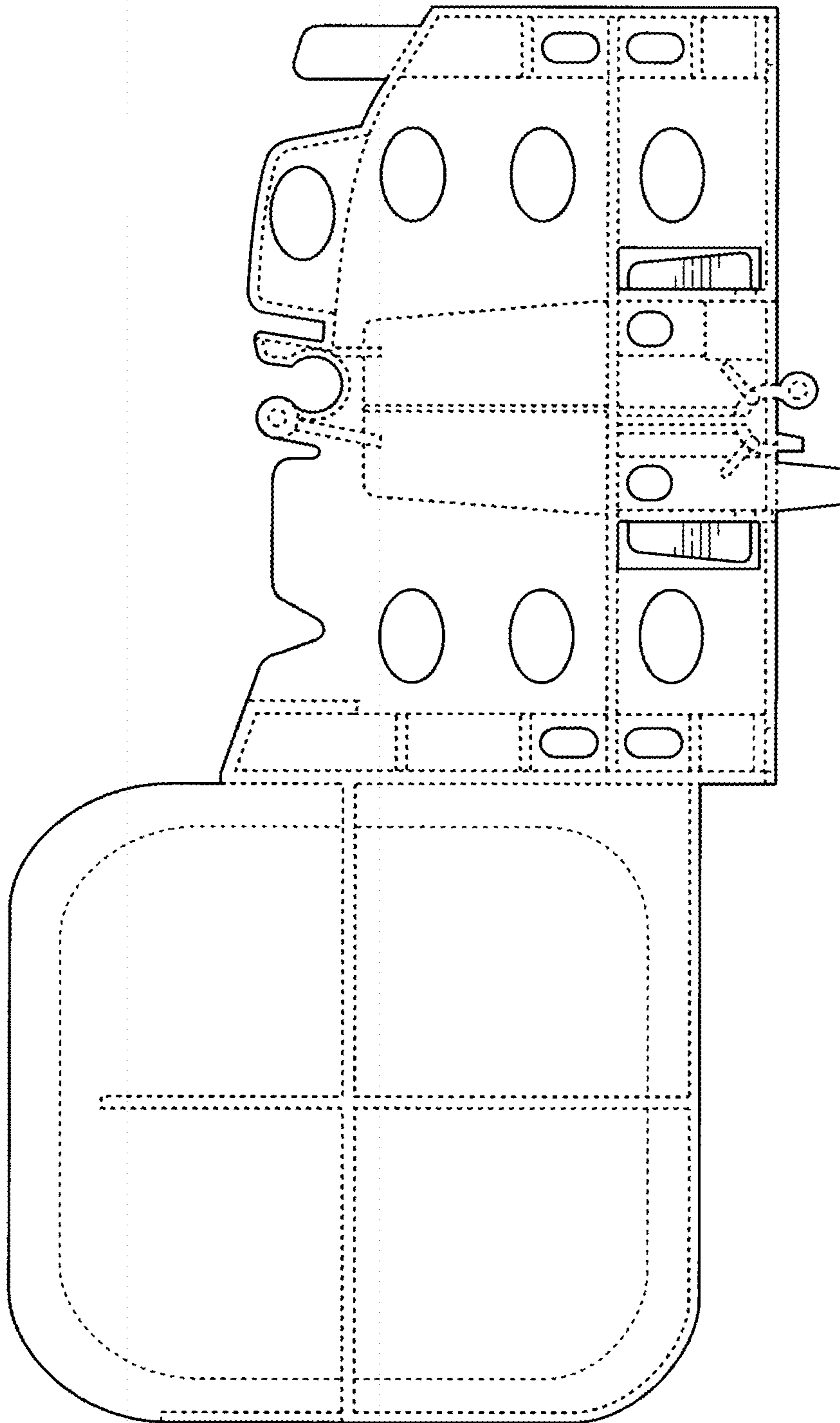


FIG. 6

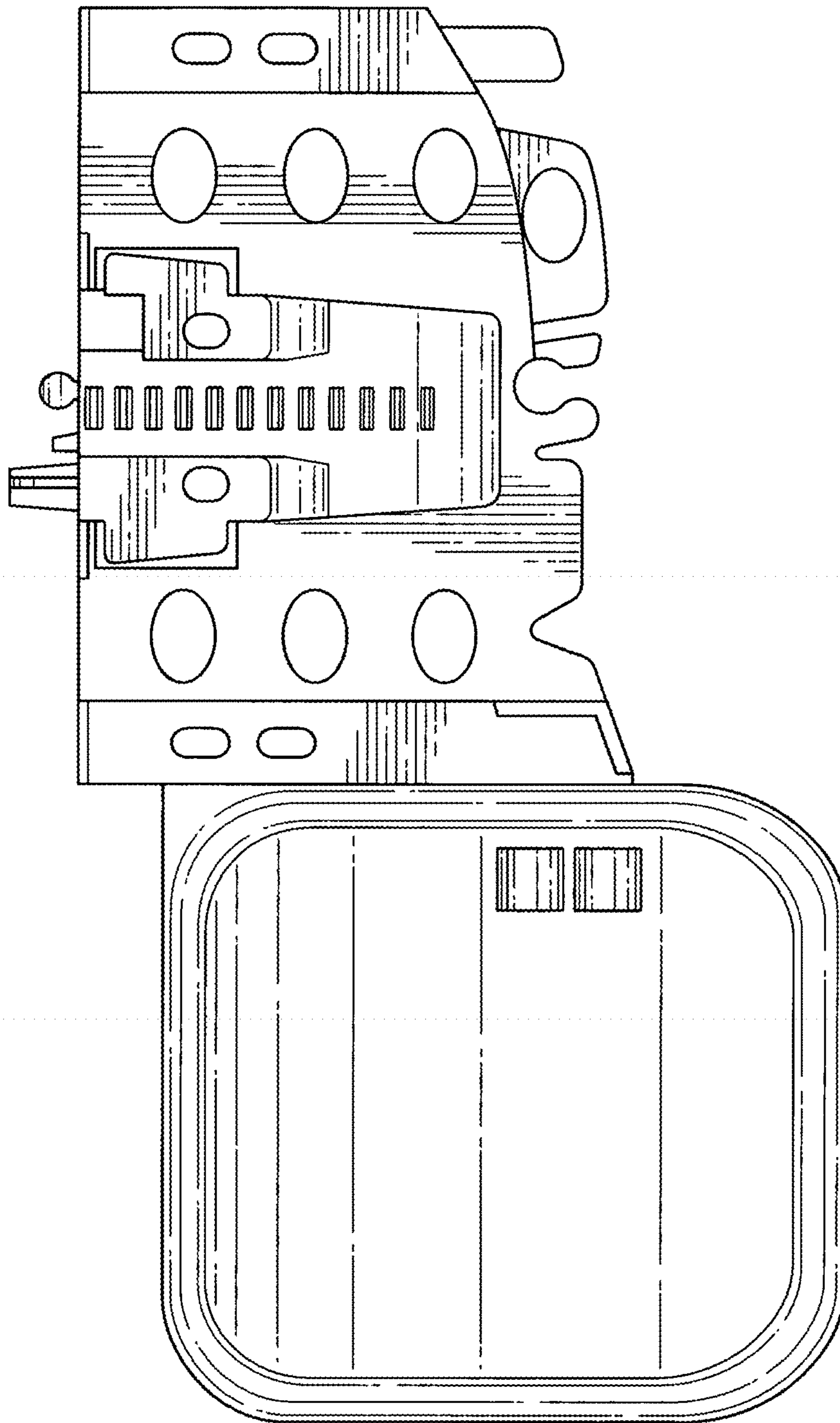


FIG. 7

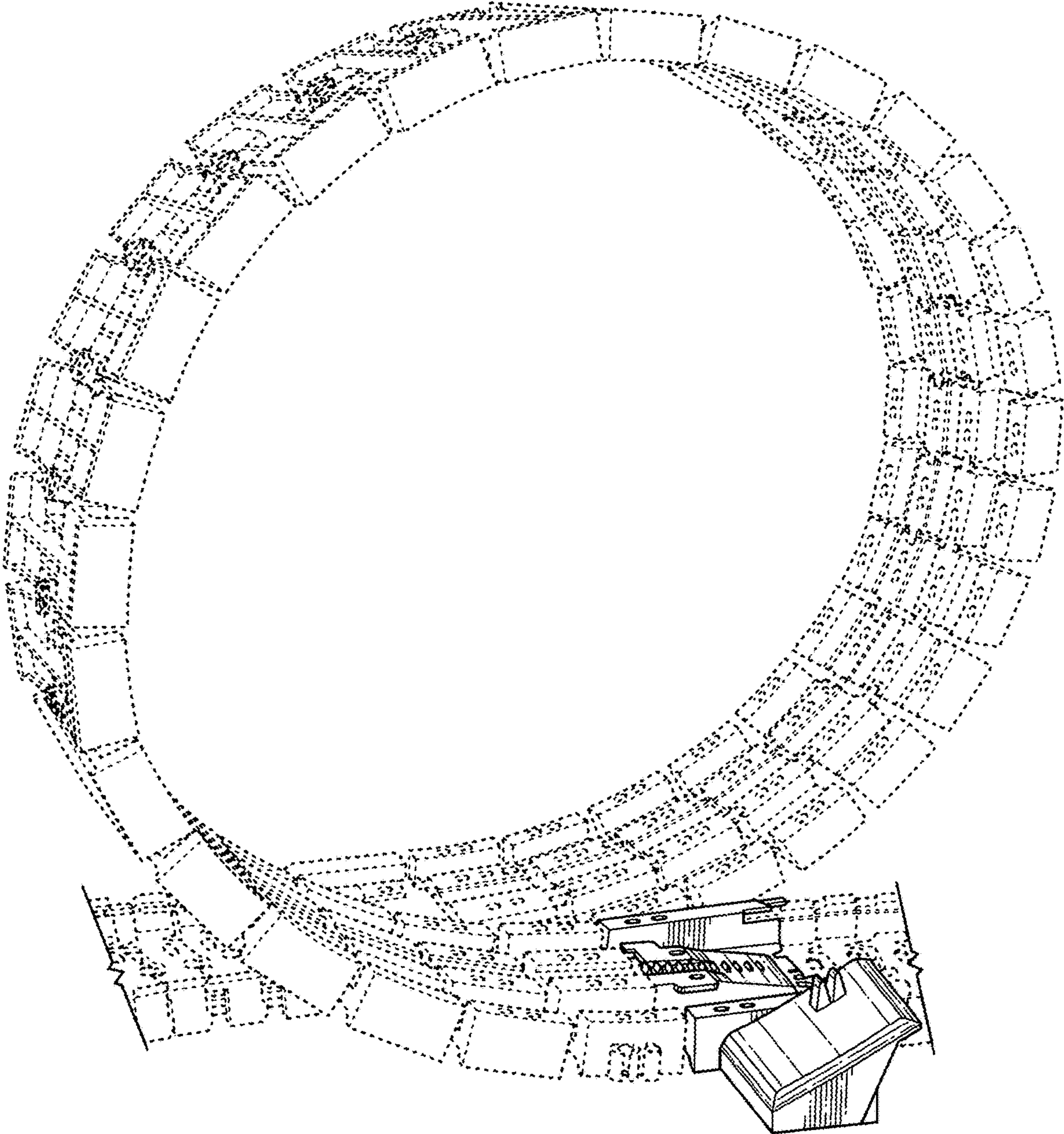


FIG. 8

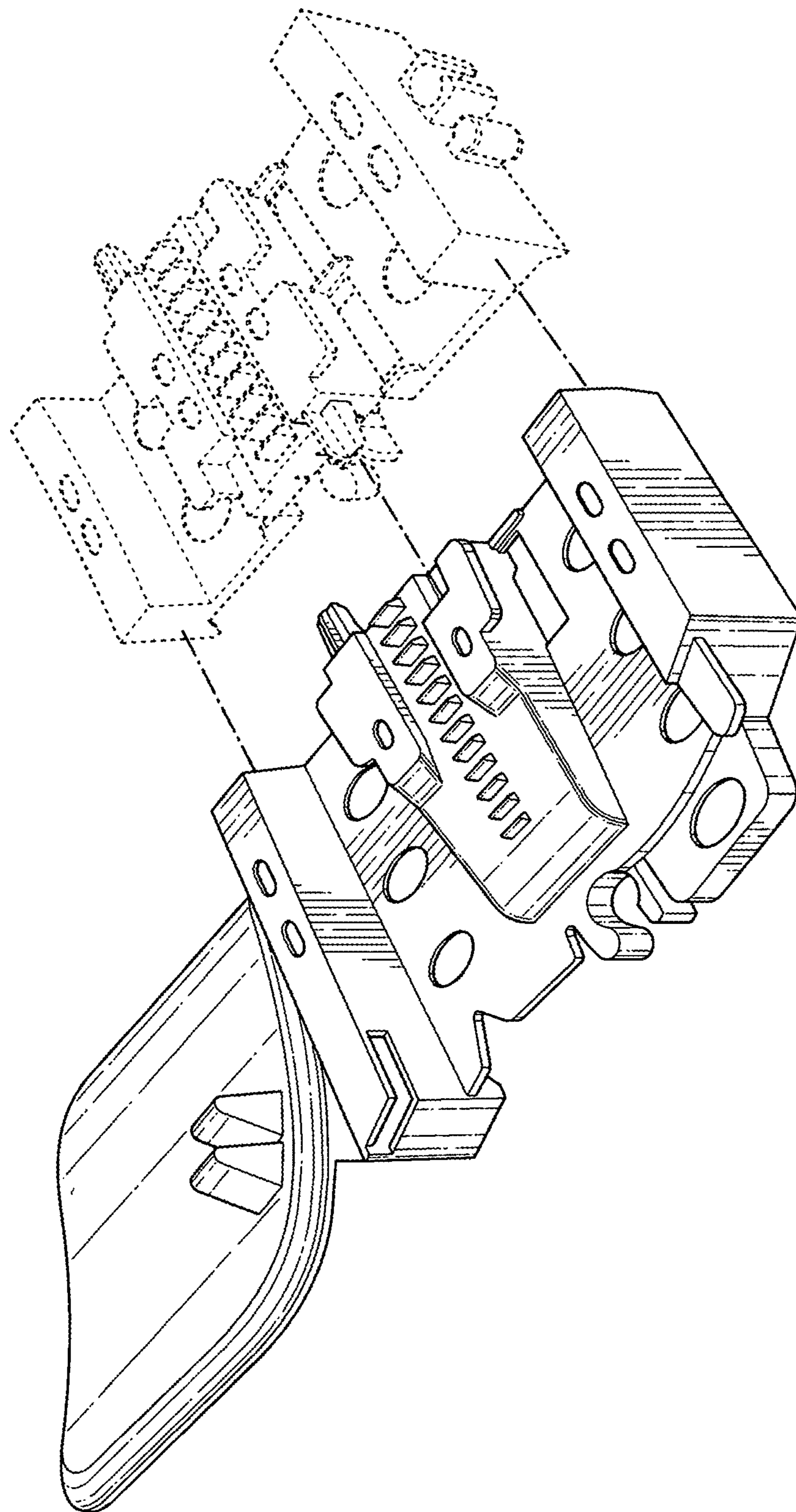


FIG. 9