



US00D878484S

(12) **United States Design Patent**
Xie et al.

(10) **Patent No.:** **US D878,484 S**
(45) **Date of Patent:** **** Mar. 17, 2020**

- (54) **TOY BUILDING BLOCK**
- (71) Applicant: **Shanghai Putao Technology Co., Ltd.**,
Shanghai (CN)
- (72) Inventors: **Lei Xie**, Shanghai (CN); **Xiang Zhang**,
Shanghai (CN)
- (73) Assignee: **Shanghai Putao Technology Co., Ltd.**,
Shanghai (CN)
- (**) Term: **15 Years**
- (21) Appl. No.: **29/638,013**
- (22) Filed: **Feb. 23, 2018**
- (30) **Foreign Application Priority Data**

Aug. 24, 2017 (CN) 2017 3 0393368

(51) **LOC (12) Cl.** **21-01**

(52) **U.S. Cl.**
USPC **D21/503**

(58) **Field of Classification Search**
USPC D21/386, 389, 404, 468, 470, 471,
D21/484-505; 446/69, 85, 102-128;
434/208, 259, 403; 273/153, 156, 160;
D25/113-116, 118
CPC A63H 33/00; A63H 33/04; A63H 33/06;
A63H 33/08; A63H 33/084; A63H
33/086; A63H 33/088; A63H 33/10;
A63H 33/105; A63H 33/108; A63H
33/52; A63H 3/00; A63H 3/16; A63H
3/46

See application file for complete search history.

(56) **References Cited**

U.S. PATENT DOCUMENTS

- D284,207 S * 6/1986 Kassai D21/486
- D284,393 S * 6/1986 Kassai D21/486

- D290,721 S * 7/1987 Ryaa D21/484
- D354,319 S * 1/1995 Wilson D21/503
- D359,999 S * 7/1995 Schmidt D21/486
- D360,910 S * 8/1995 Frederiksen D21/488
- D373,606 S * 9/1996 Knudsen D21/503
- D374,257 S * 10/1996 Schmidt D21/486
- D403,721 S * 1/1999 Bean D21/499
- D420,062 S * 2/2000 Glickman D21/503
- D426,588 S * 6/2000 Glickman D21/486
- D437,895 S * 2/2001 Sorensen D21/504
- 6,702,642 B1 * 3/2004 Parein A63H 33/08
446/105
- D564,044 S * 3/2008 Rolf D21/486
- D583,880 S * 12/2008 Slater D21/487
- D600,756 S * 9/2009 Fleming D21/502
- D706,363 S * 6/2014 Norman D21/486
- D711,975 S * 8/2014 Norman D21/486
- D753,773 S * 4/2016 Kim D21/487
- D786,364 S * 5/2017 Richards D21/484

(Continued)

Primary Examiner — Cynthia M. Chin

(74) *Attorney, Agent, or Firm* — Sterne, Kessler,
Goldstein & Fox P.L.L.C.

(57) **CLAIM**

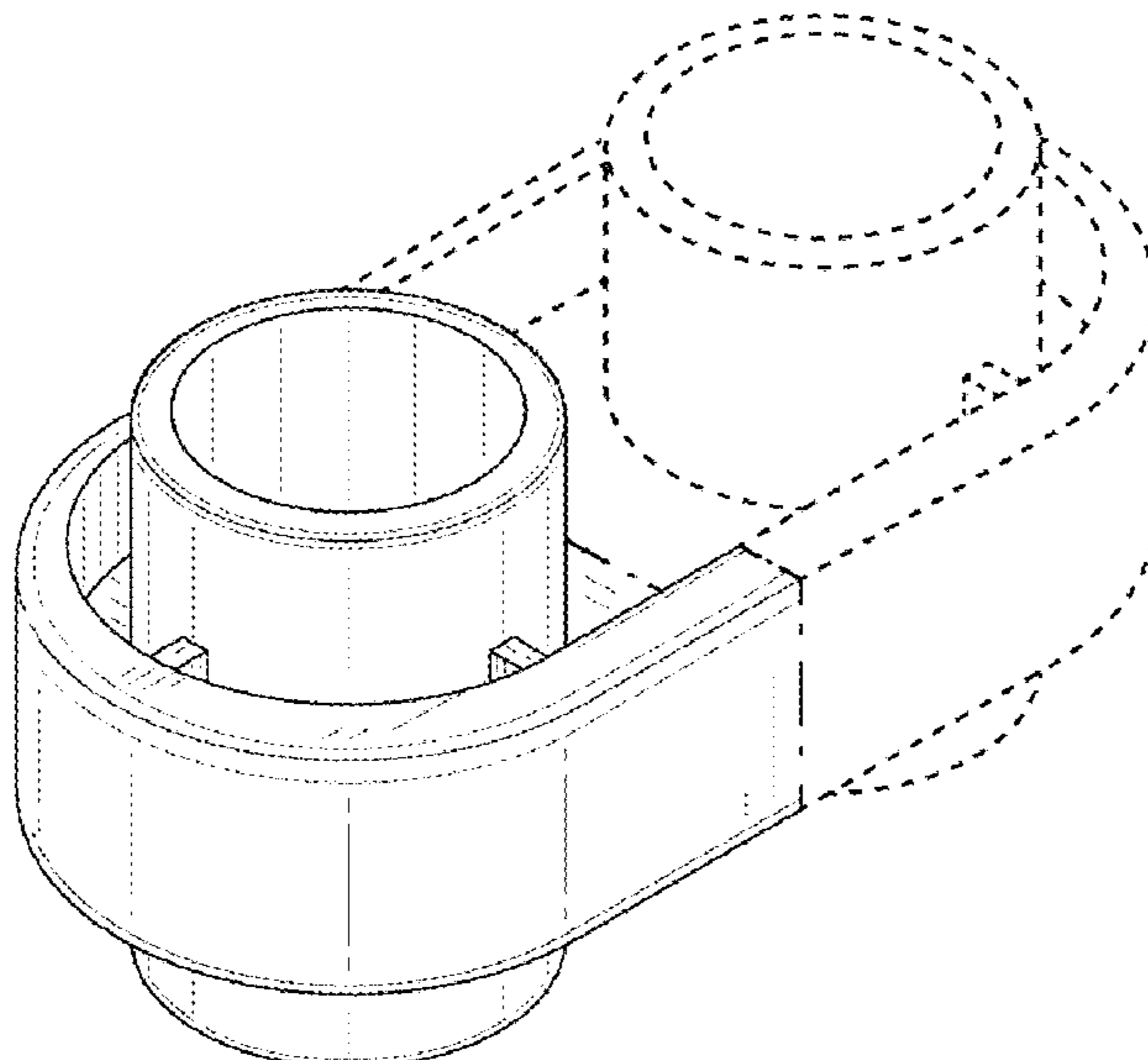
The ornamental design for a toy building block, as shown and described.

DESCRIPTION

FIG. 1 is a top front perspective view of a toy building block showing the claimed design;
FIG. 2 is a front view thereof;
FIG. 3 is a rear view thereof;
FIG. 4 is a left side view thereof;
FIG. 5 is a right side view thereof;
FIG. 6 is a top view thereof; and,
FIG. 7 is a bottom view thereof.

The dashed broken lines in the figures show portions of the toy building block that form no part of the claimed design. The dot-dash broken lines in the figures show boundaries that form no part of the claimed design.

1 Claim, 4 Drawing Sheets



(56)

References Cited

U.S. PATENT DOCUMENTS

D809,611 S *	2/2018	Deblois	D21/503
D833,540 S *	11/2018	Zhang	D21/486
D834,106 S *	11/2018	Pestel	D21/488
2004/0154256 A1 *	8/2004	Kim	E04B 2/08 52/592.6

* cited by examiner

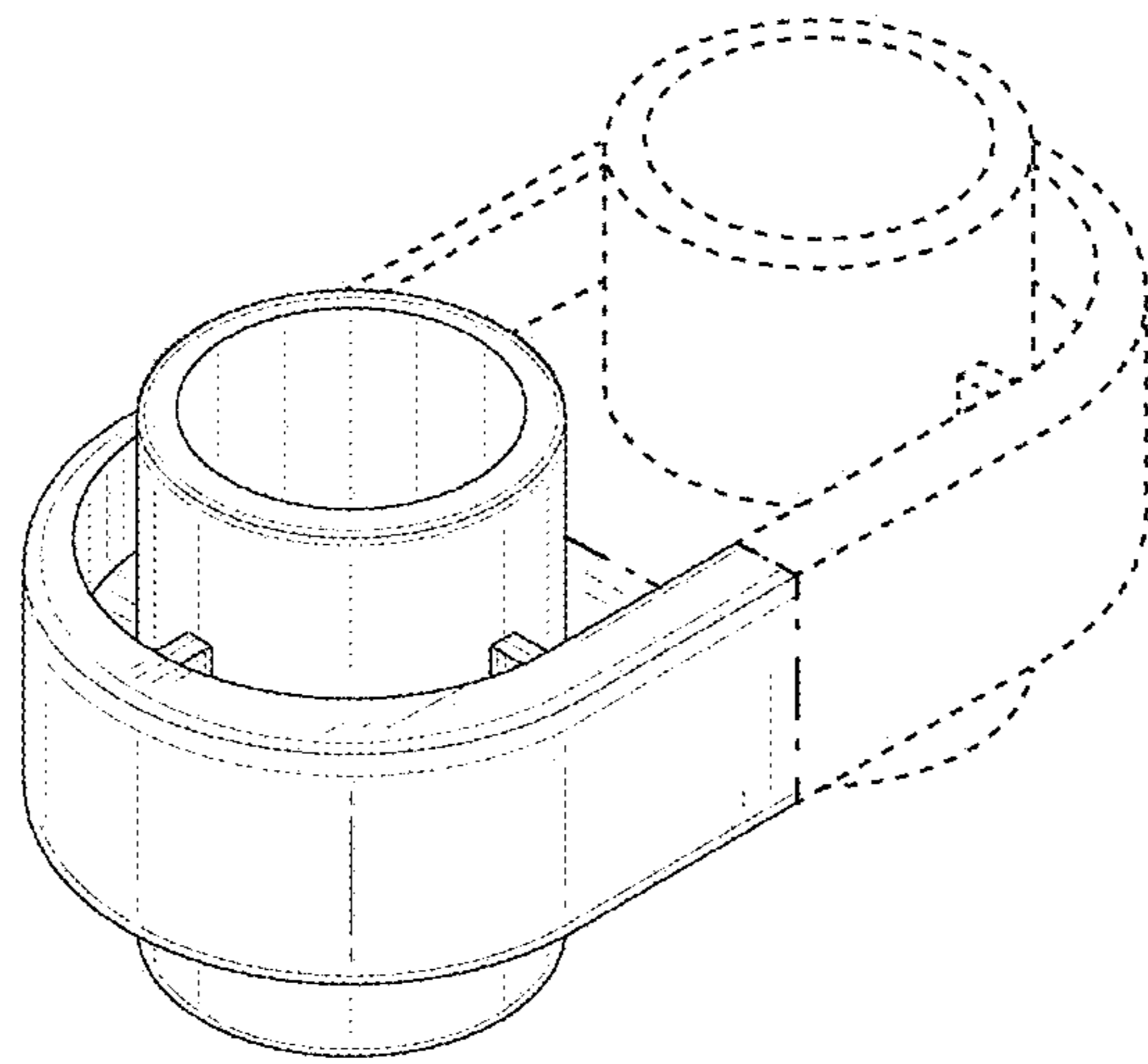


FIG. 1

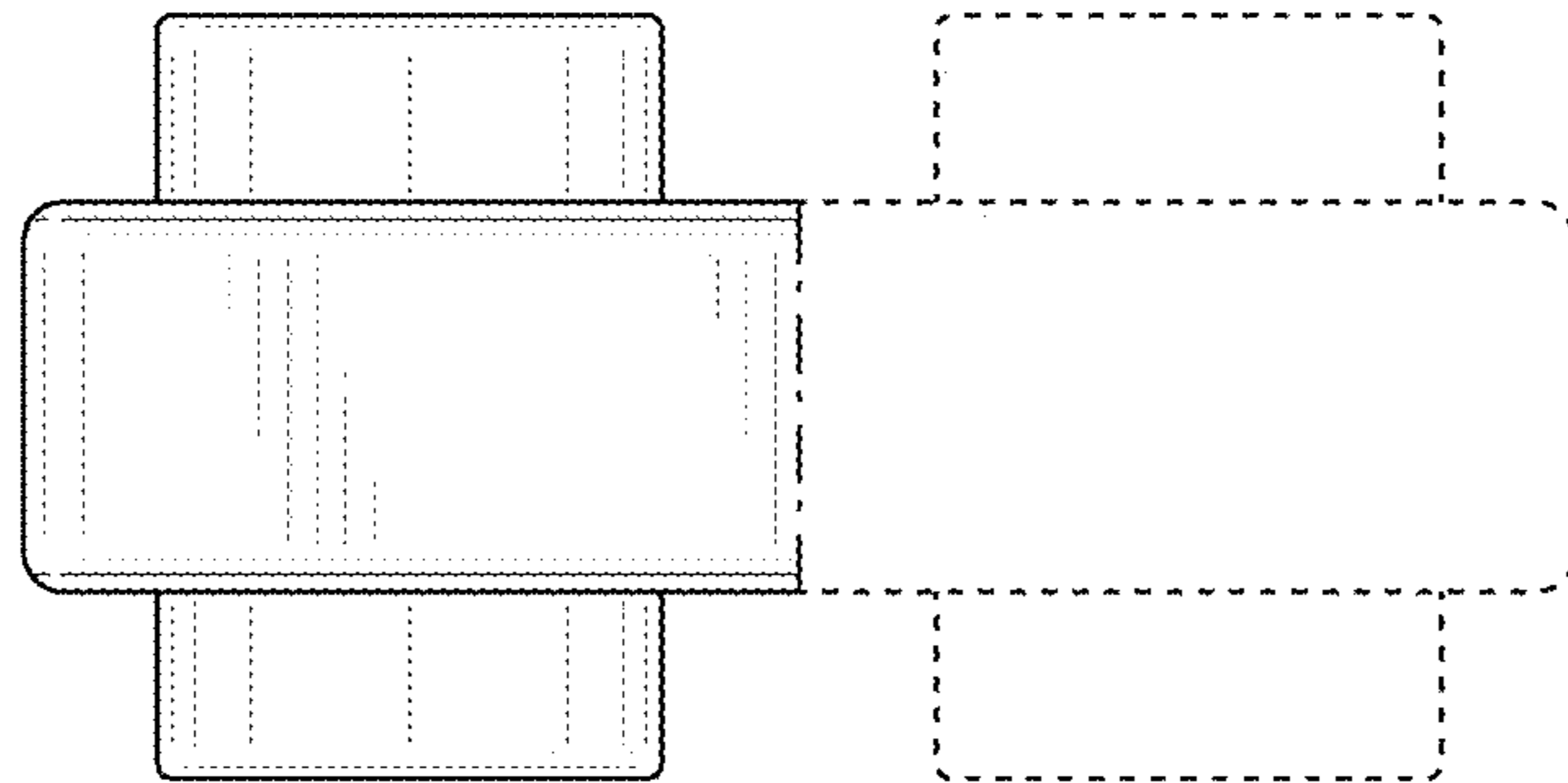


FIG. 2

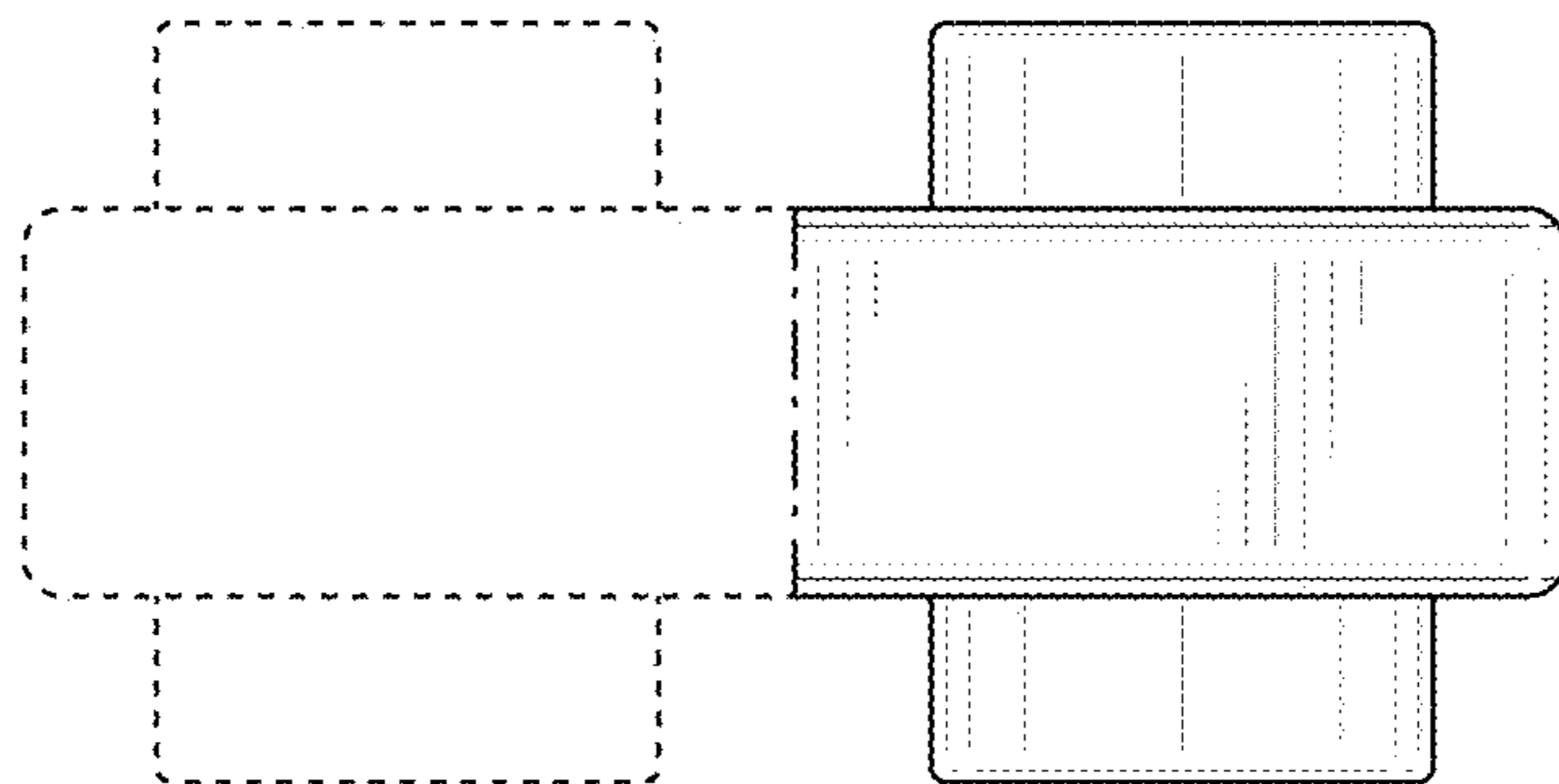


FIG. 3

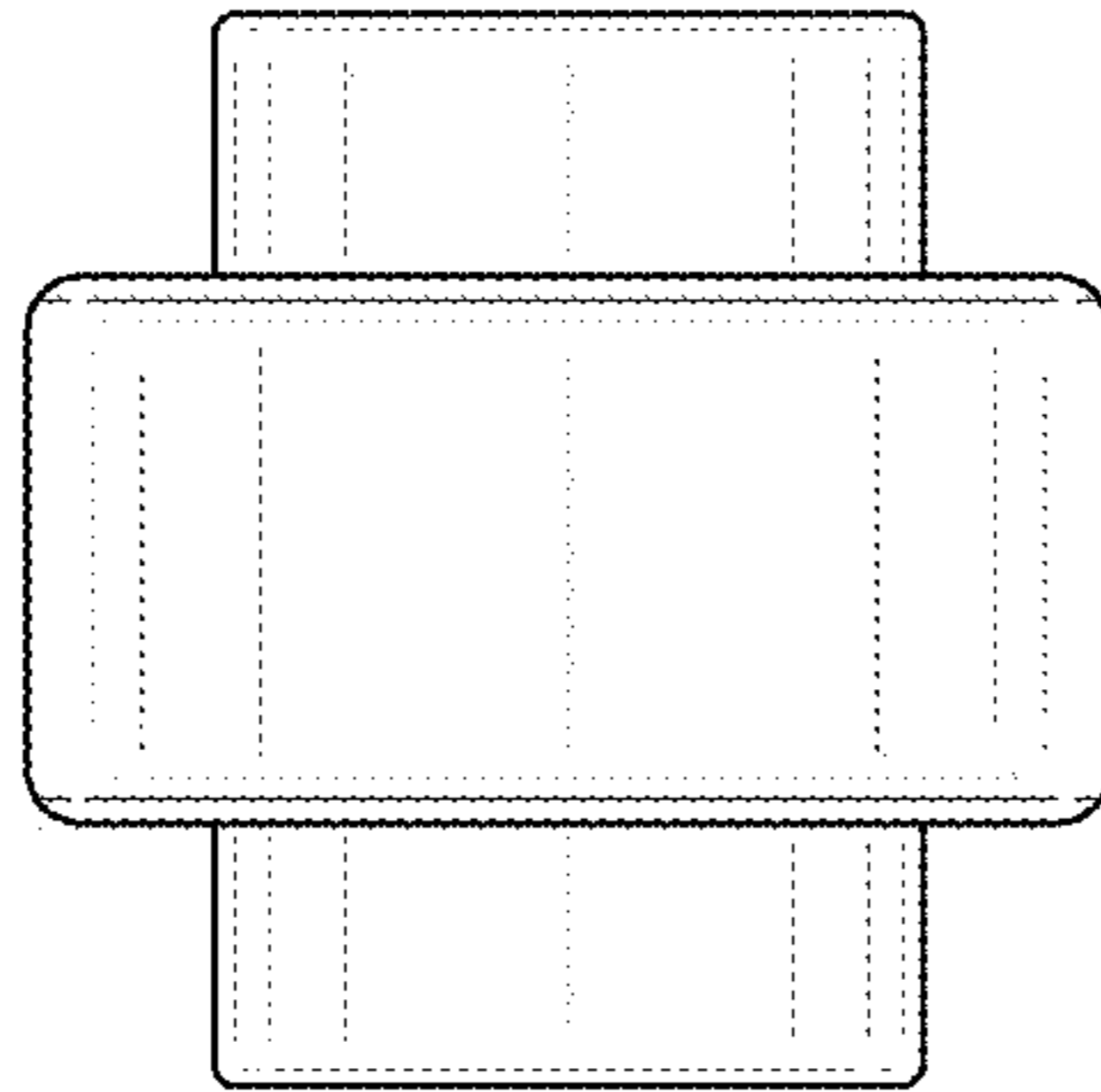


FIG. 4

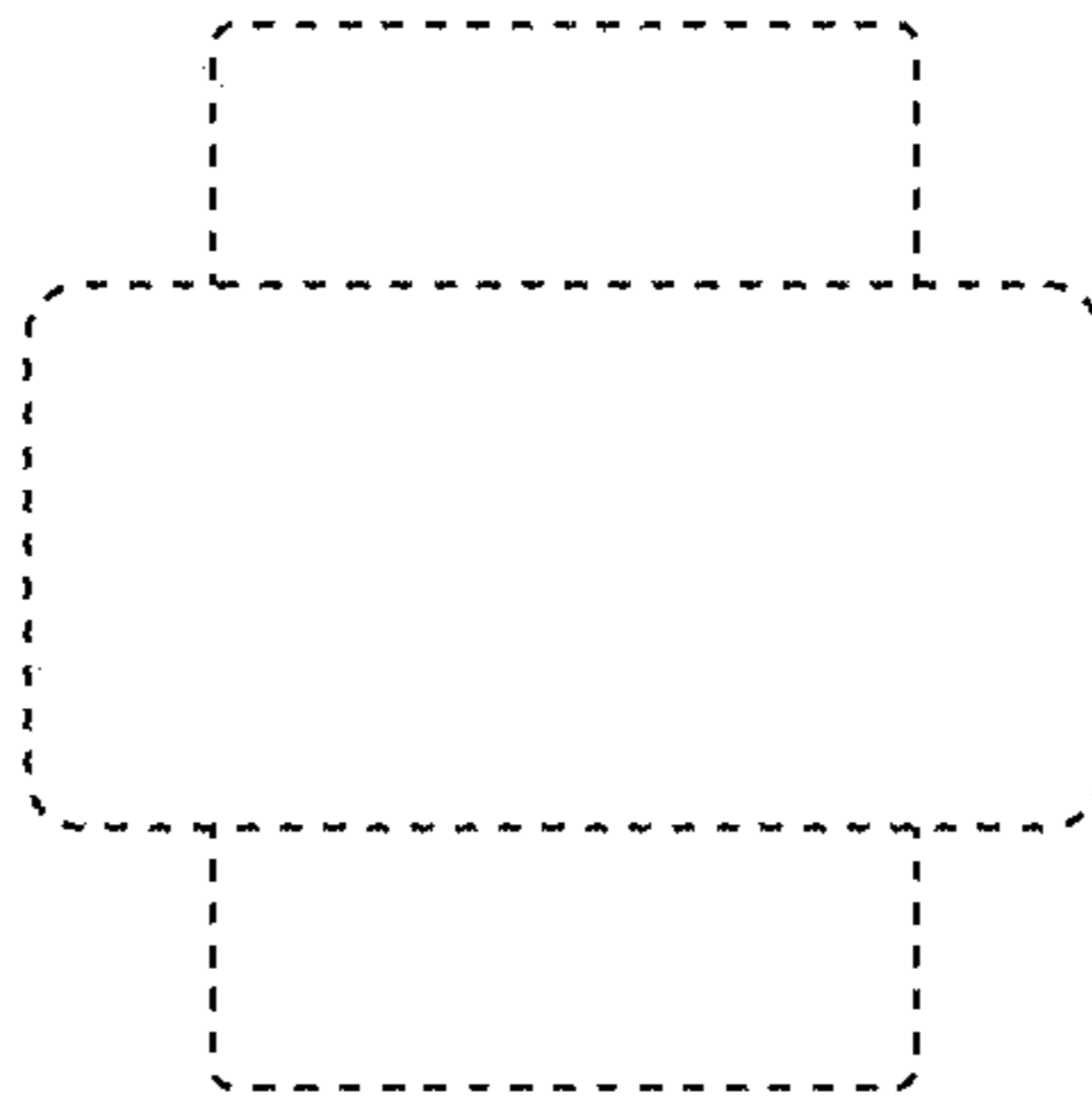


FIG. 5

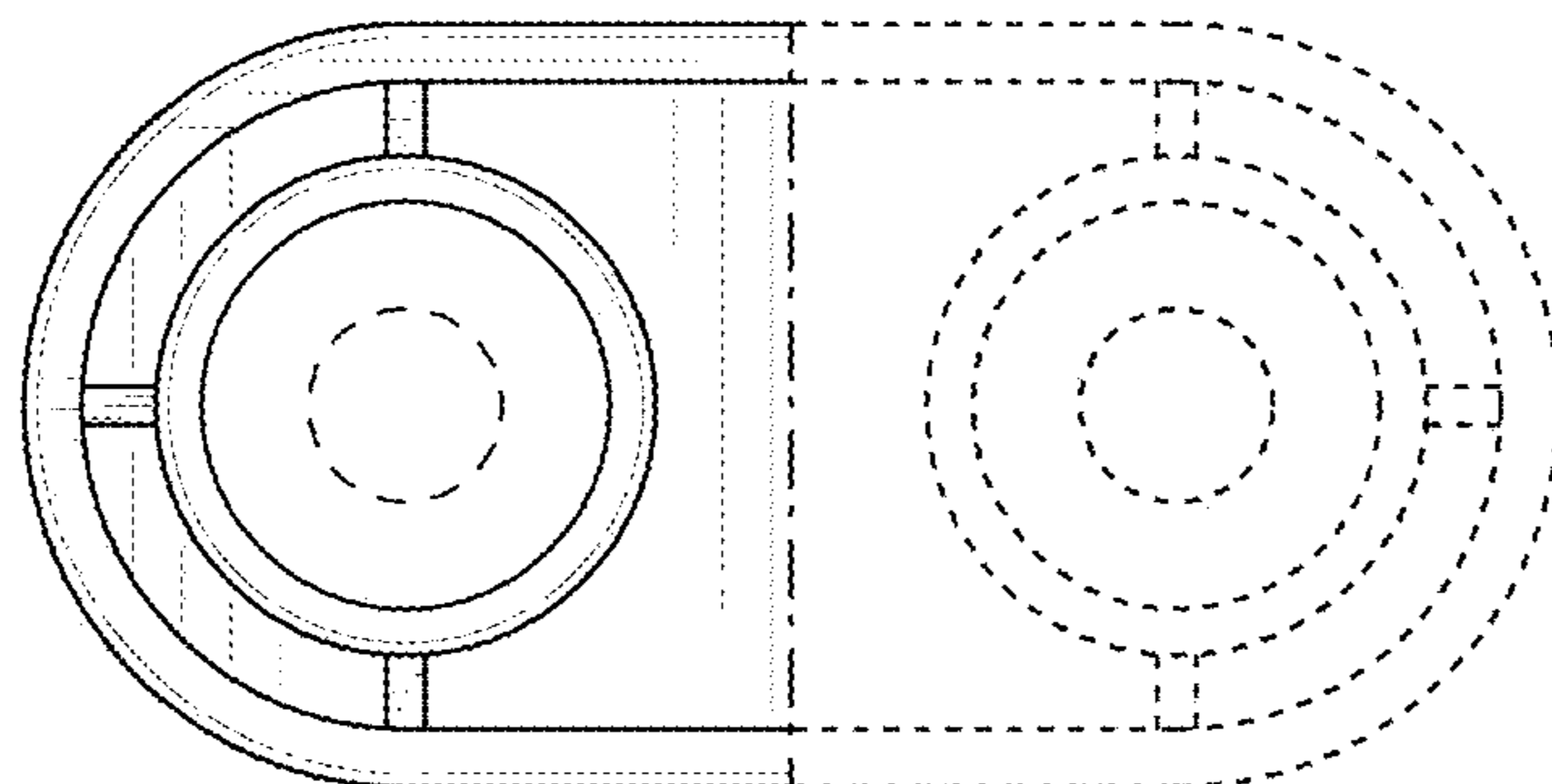


FIG. 6

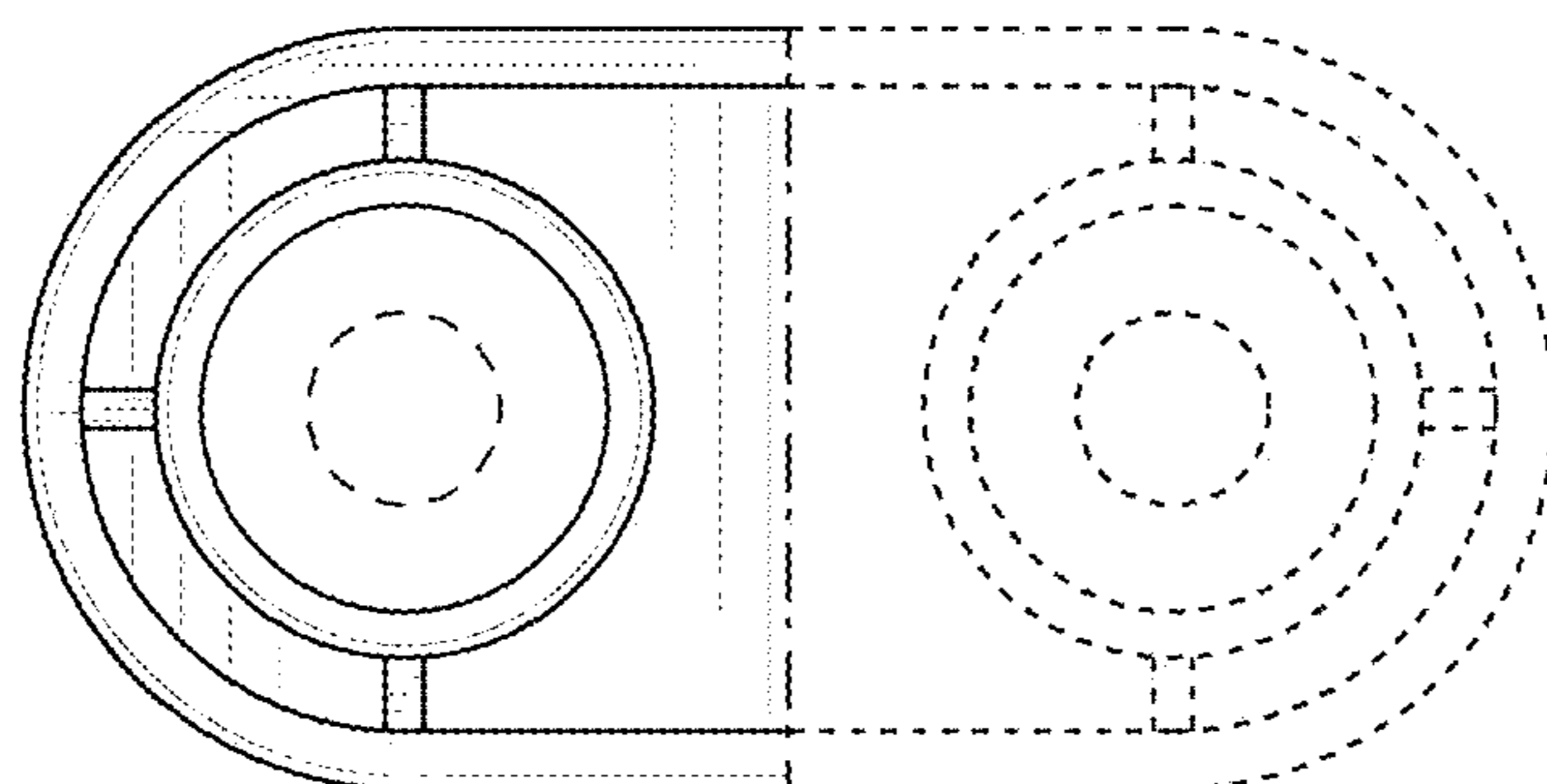


FIG. 7