



US00D878483S

(12) **United States Design Patent**
Xie et al.

(10) **Patent No.:** **US D878,483 S**

(45) **Date of Patent:** **** Mar. 17, 2020**

(54) **TOY BUILDING BLOCK**

(71) Applicant: **Shanghai Putao Technology Co., Ltd.**,
Shanghai (CN)

(72) Inventors: **Lei Xie**, Shanghai (CN); **Xiang Zhang**,
Shanghai (CN)

(73) Assignee: **Shanghai Putao Technology Co., Ltd.**,
Shanghai (CN)

(**) Term: **15 Years**

(21) Appl. No.: **29/638,011**

(22) Filed: **Feb. 23, 2018**

(30) **Foreign Application Priority Data**

Aug. 24, 2017 (CN) 2017 3 0393486

(51) **LOC (12) Cl.** **21-01**

(52) **U.S. Cl.**
USPC **D21/488**

(58) **Field of Classification Search**
USPC D21/386, 389, 404, 468, 470, 471,
D21/484–505; D25/113–116, 118
(Continued)

(56) **References Cited**

U.S. PATENT DOCUMENTS

3,374,917 A * 3/1968 Troy A63H 33/08
220/23.4
3,648,404 A * 3/1972 Ogsbury A63H 33/102
446/126

(Continued)

Primary Examiner — Cynthia M. Chin

(74) *Attorney, Agent, or Firm* — Sterne, Kessler,
Goldstein & Fox P.L.L.C.

(57) **CLAIM**

The ornamental design for a toy building block, as shown
and described.

DESCRIPTION

FIG. 1 is a top front perspective view of a toy building block
showing the claimed design;

FIG. 2 is a front view thereof;

FIG. 3 is a rear view thereof;

FIG. 4 is a left side view thereof;

FIG. 5 is a right side view thereof;

FIG. 6 is a top view thereof;

FIG. 7 is a bottom view thereof;

FIG. 8 is a top front perspective view of another toy building
block showing the claimed design;

FIG. 9 is a front view thereof;

FIG. 10 is a rear view thereof;

FIG. 11 is a left side view thereof;

FIG. 12 is a right side view thereof;

FIG. 13 is a top view thereof;

FIG. 14 is a bottom view thereof;

FIG. 15 is a top front perspective view of another toy
building block showing the claimed design;

FIG. 16 is a front view thereof;

FIG. 17 is a rear view thereof;

FIG. 18 is a left side view thereof;

FIG. 19 is a right side view thereof;

FIG. 20 is a top view thereof;

FIG. 21 is a bottom view thereof;

FIG. 22 is a top front perspective view of another toy
building block showing the claimed design;

FIG. 23 is a front view thereof;

FIG. 24 is a rear view thereof;

FIG. 25 is a left side view thereof;

FIG. 26 is a right side view thereof;

FIG. 27 is a top view thereof;

FIG. 28 is a bottom view thereof;

FIG. 29 is a top front perspective view of another toy
building block showing the claimed design;

FIG. 30 is a front view thereof;

FIG. 31 is a rear view thereof;

FIG. 32 is a left side view thereof;

FIG. 33 is a right side view thereof;

(Continued)

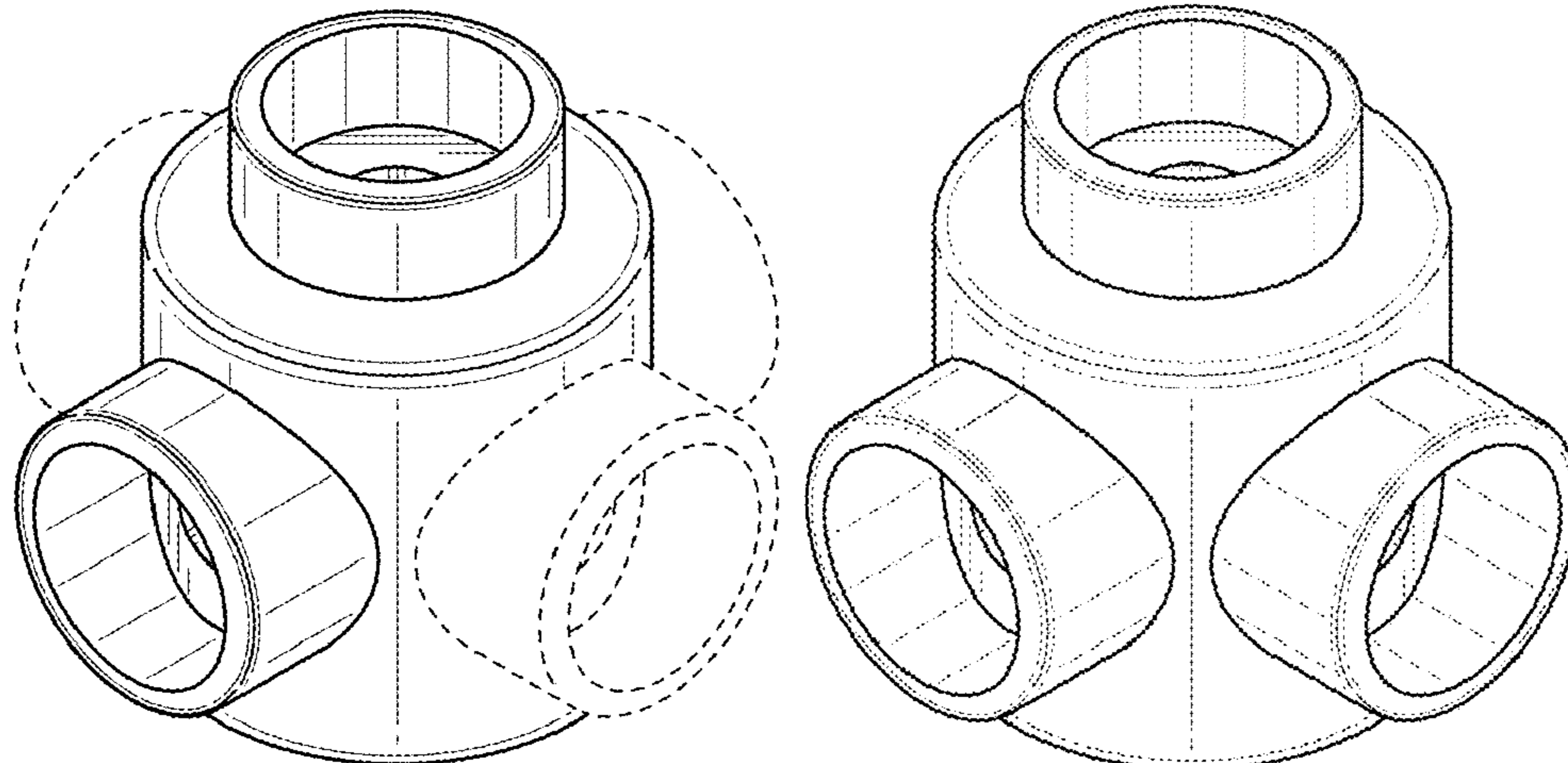


FIG. 34 is a top view thereof;
 FIG. 35 is a bottom view thereof;
 FIG. 36 is a top front perspective view of another toy building block showing the claimed design;
 FIG. 37 is a front view thereof;
 FIG. 38 is a rear view thereof;
 FIG. 39 is a left side view thereof;
 FIG. 40 is a right side view thereof;
 FIG. 41 is a top view thereof; and,
 FIG. 42 is a bottom view thereof.
 The broken lines in the figures show portions of the toy building block that form no part of the claimed design.

1 Claim, 24 Drawing Sheets

(58) **Field of Classification Search**

CPC A63H 33/00; A63H 33/04; A63H 33/06;
 A63H 33/08; A63H 33/084; A63H
 33/086; A63H 33/088; A63H 33/10;
 A63H 33/105; A63H 33/108; A63H
 33/52; A63H 3/00; A63H 3/16; A63H
 3/46

See application file for complete search history.

(56)

References Cited

U.S. PATENT DOCUMENTS

D272,256	S *	1/1984	Chatani	D21/499
D285,226	S *	8/1986	Kassai	D21/499
D296,342	S *	6/1988	Knudsen	D21/499
D324,084	S *	2/1992	Knudsen	D21/500
D360,910	S *	8/1995	Frederiksen	D21/488
D384,986	S *	10/1997	Schmidt	D21/503
D384,987	S *	10/1997	Schmidt	D21/503
D384,988	S *	10/1997	Schmidt	446/126
D387,399	S *	12/1997	Schmidt	D21/487
D403,721	S *	1/1999	Bean	D21/499
D420,062	S *	2/2000	Glickman	D21/503
D434,812	S *	12/2000	Lehn Høeg	D21/487
D437,895	S *	2/2001	Sorensen	D21/504
6,702,642	B1 *	3/2004	Parein	A63H 33/08 446/105
D583,880	S *	12/2008	Slater	D21/487
D701,923	S *	4/2014	Jensen	D21/500
D753,773	S *	4/2016	Kim	D21/487
D755,903	S *	5/2016	Chen	D21/499
D834,106	S *	11/2018	Pestel	D21/488
2009/0215357	A1 *	8/2009	Seligman	A63H 33/042 446/127
2010/0210172	A1 *	8/2010	Worthington	A63H 33/086 446/124

* cited by examiner

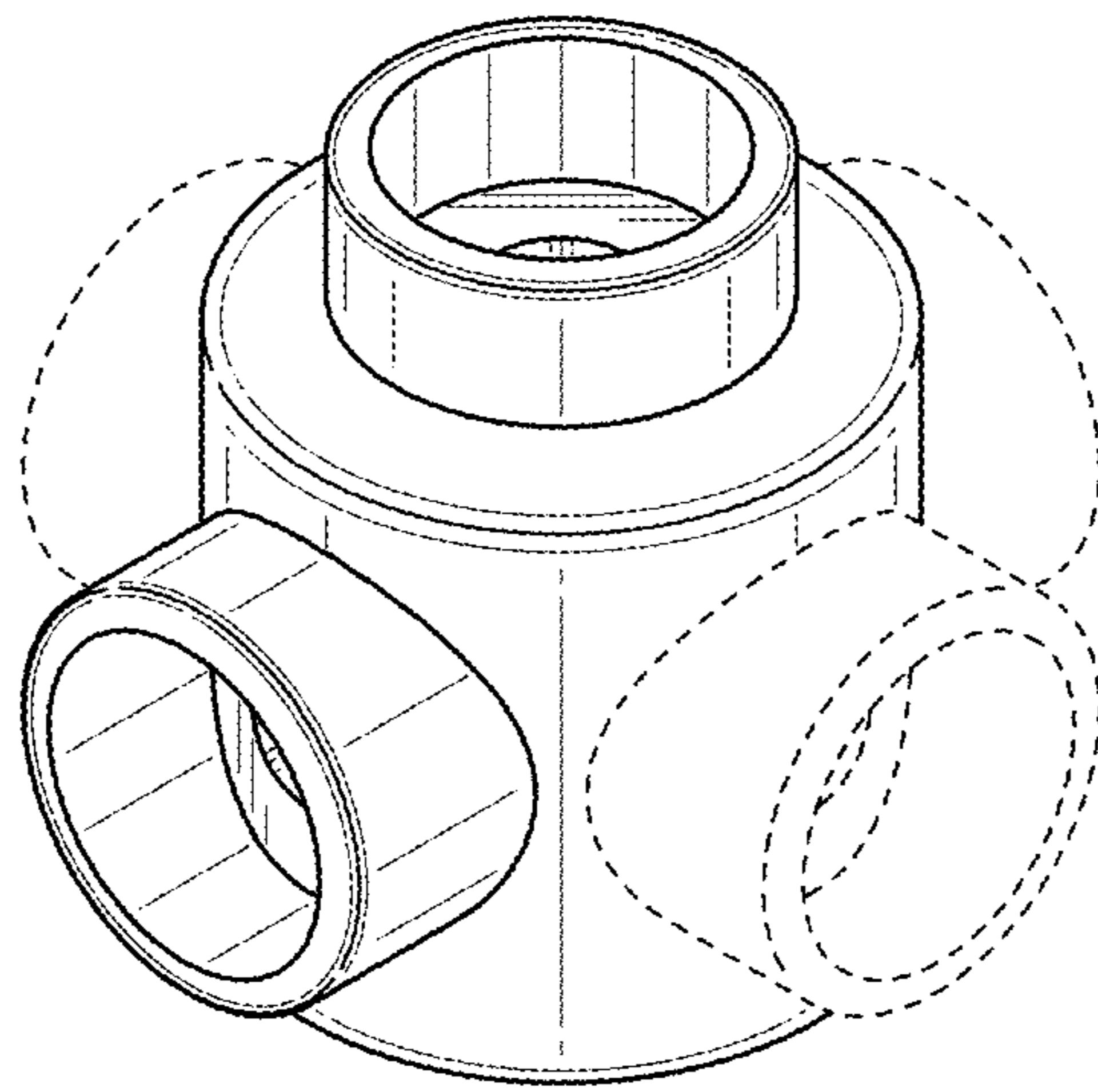


FIG. 1

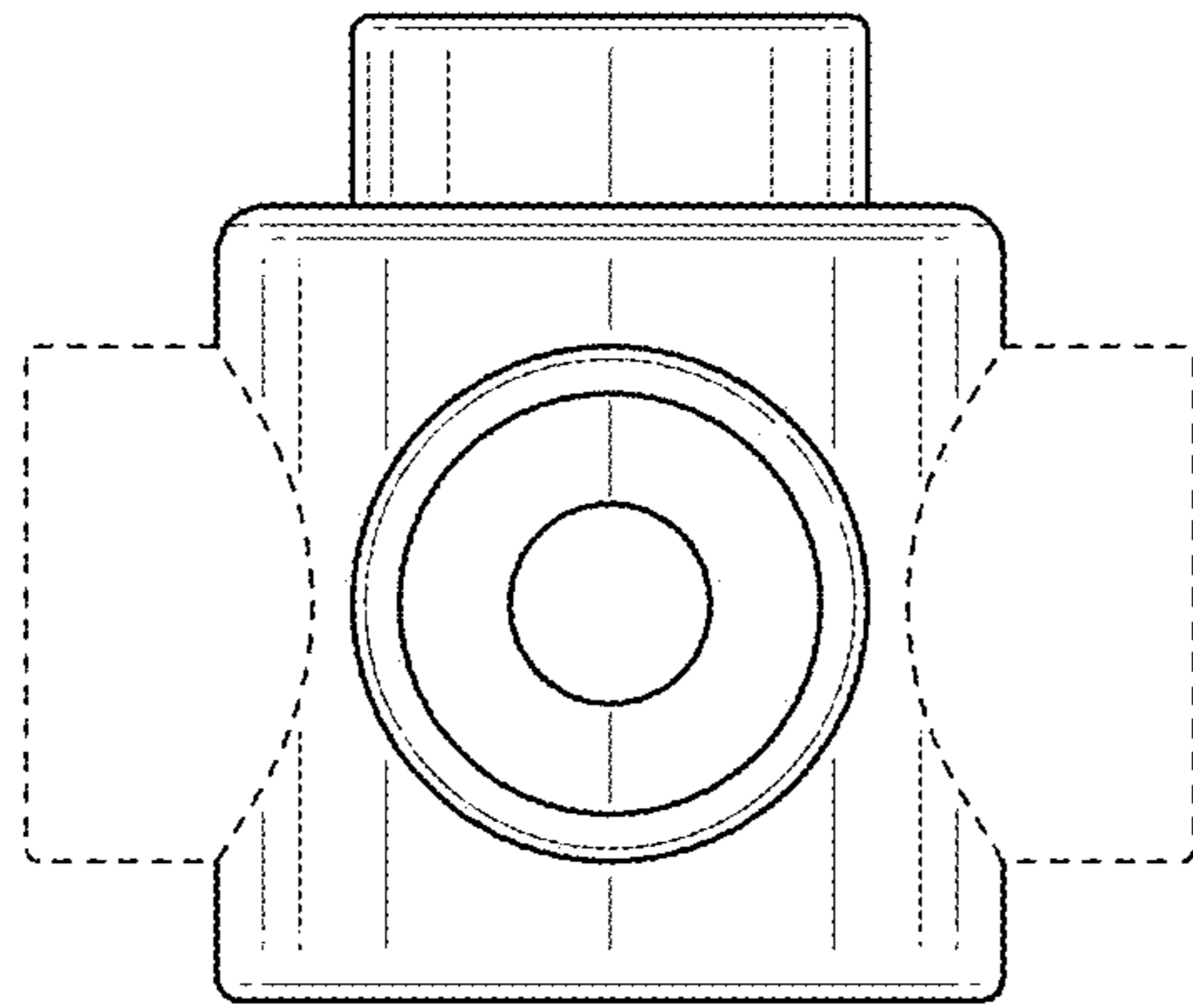


FIG. 2

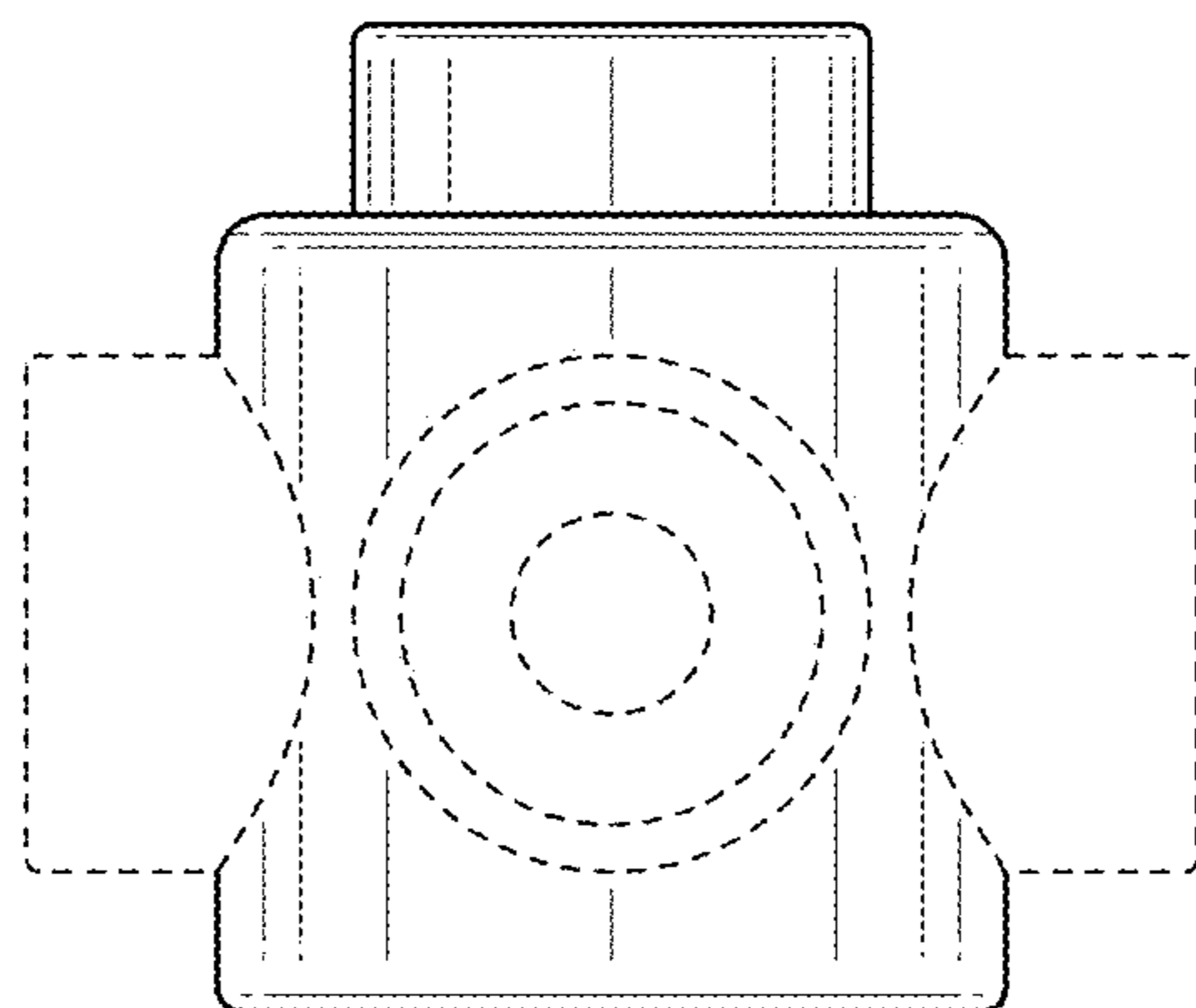


FIG. 3

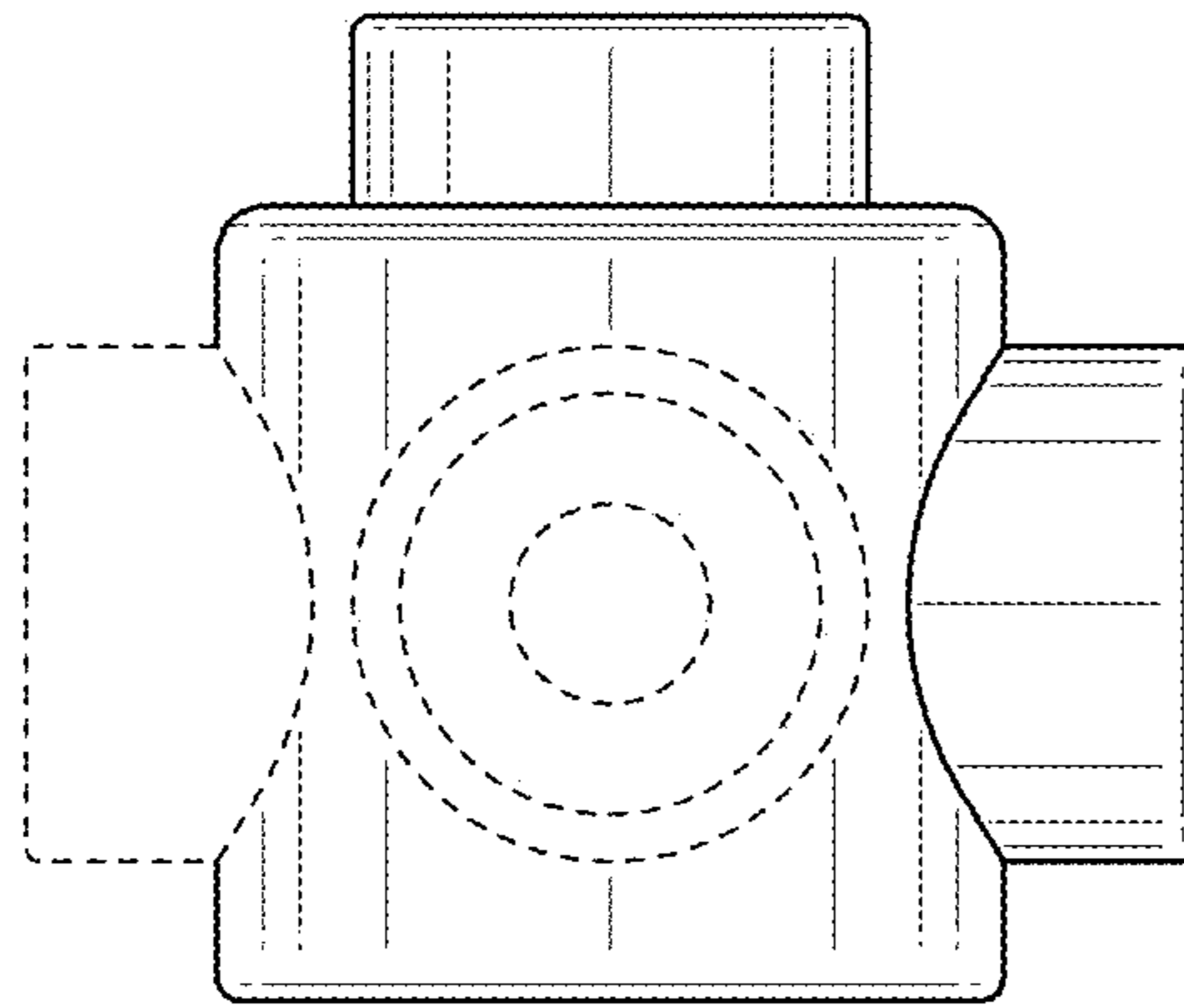


FIG. 4

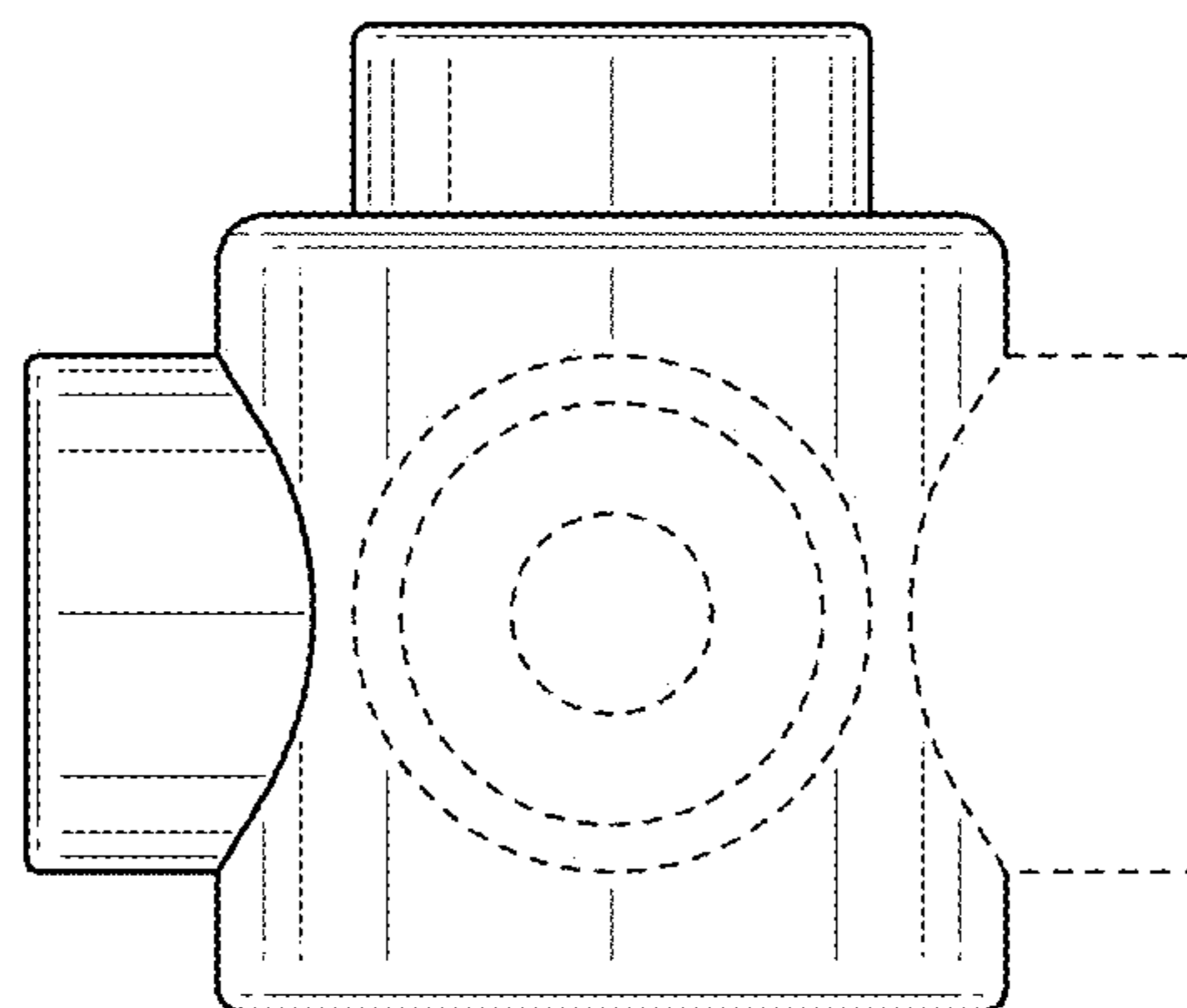


FIG. 5

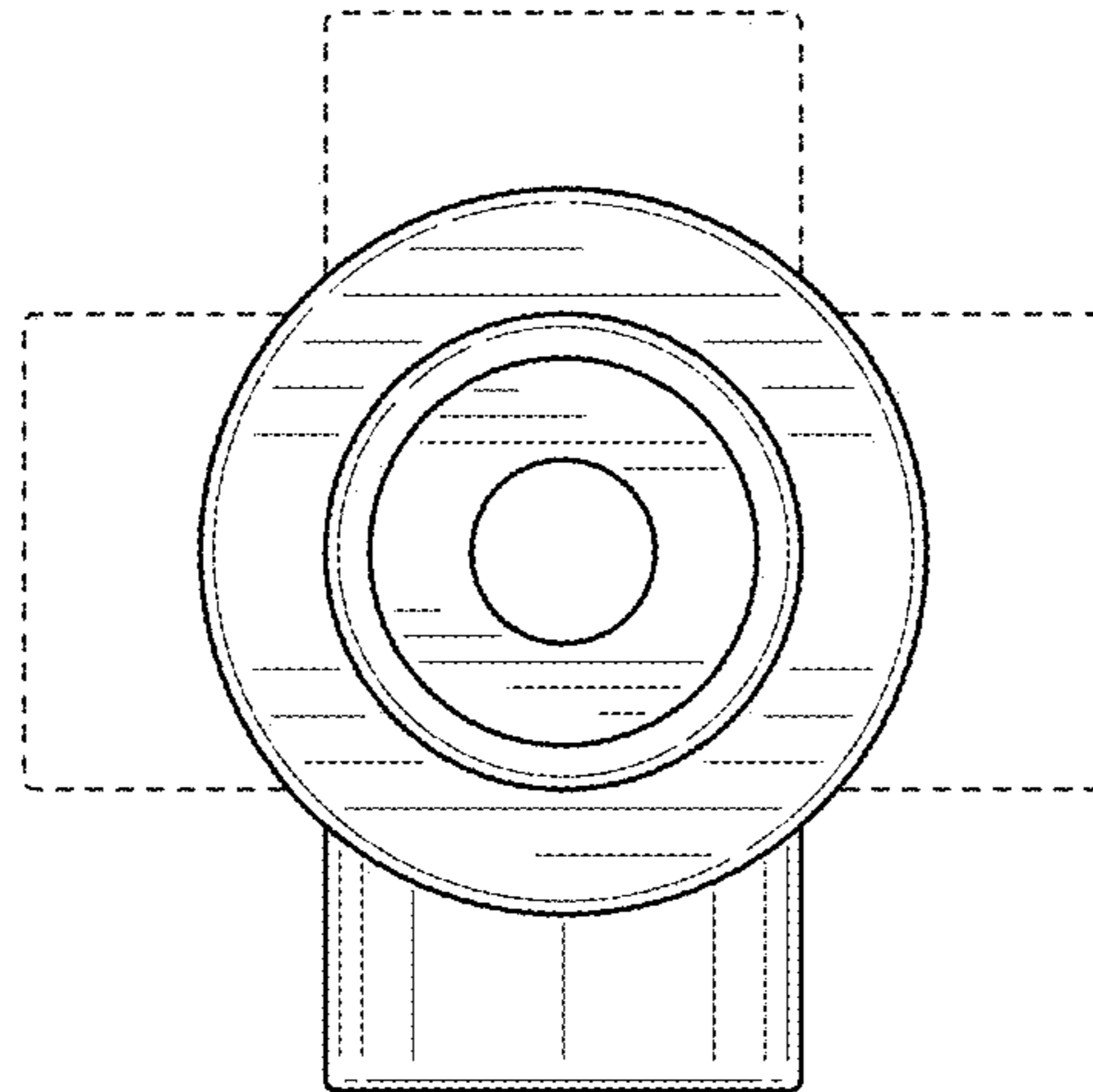


FIG. 6

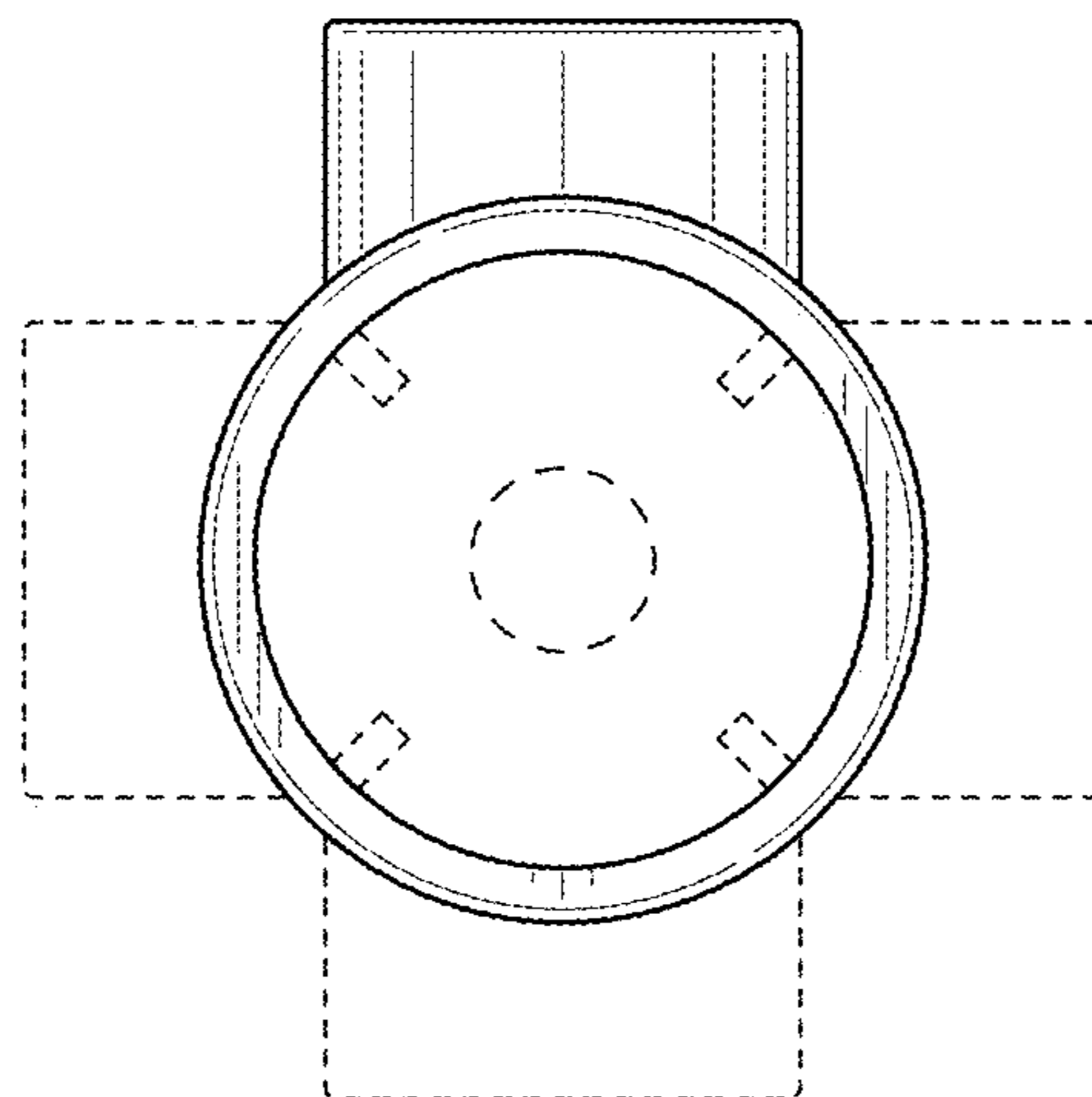


FIG. 7

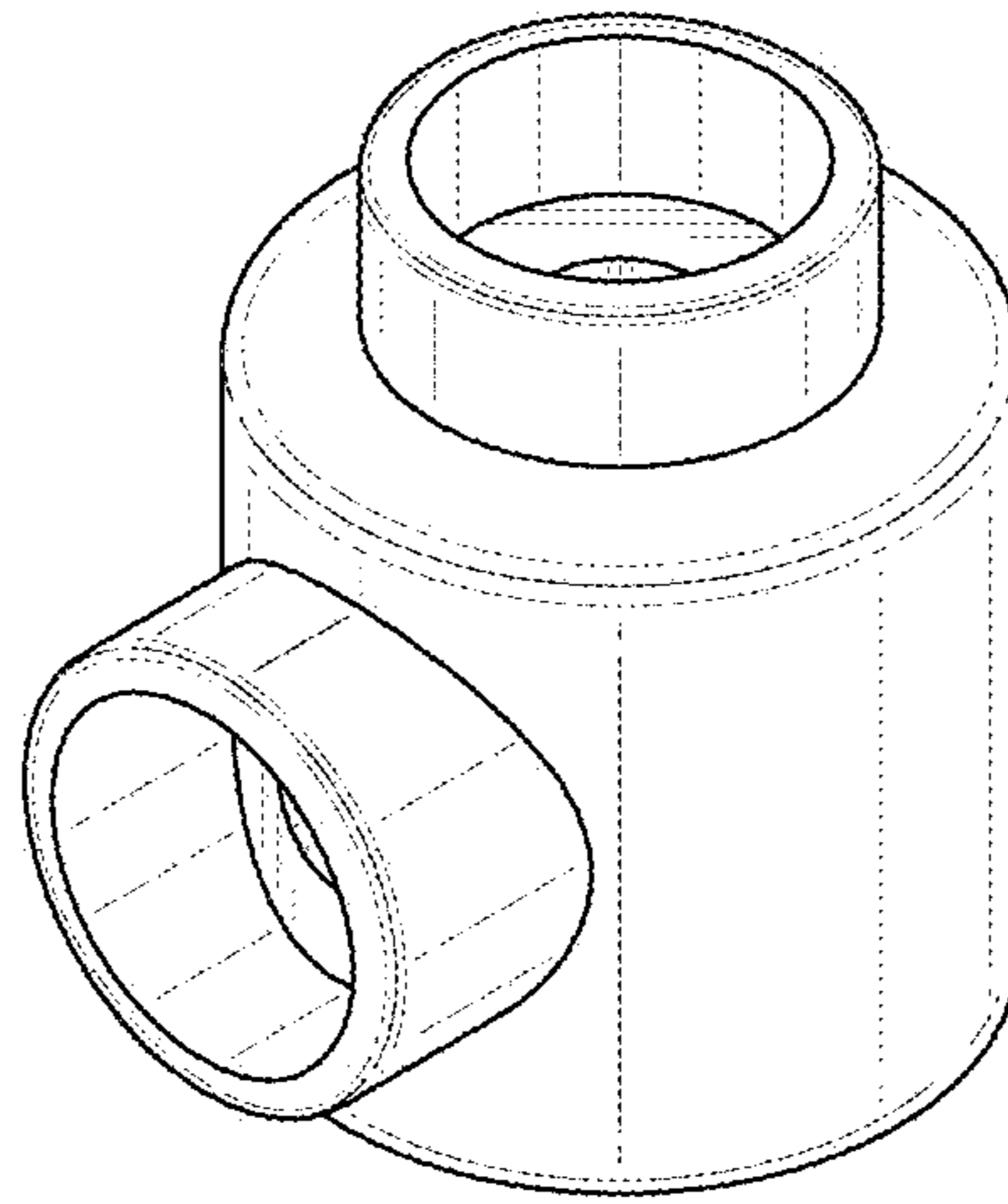


FIG. 8

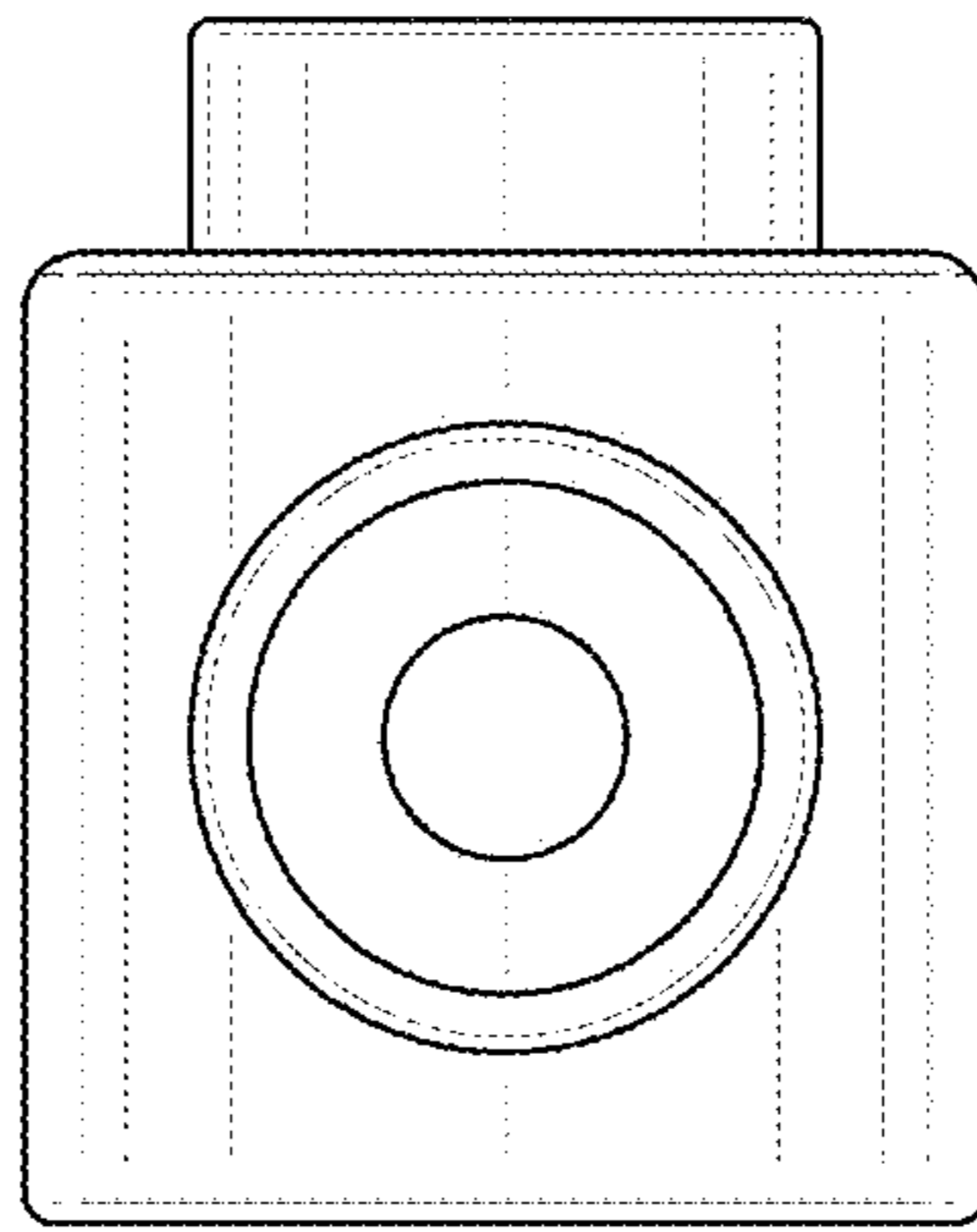


FIG. 9

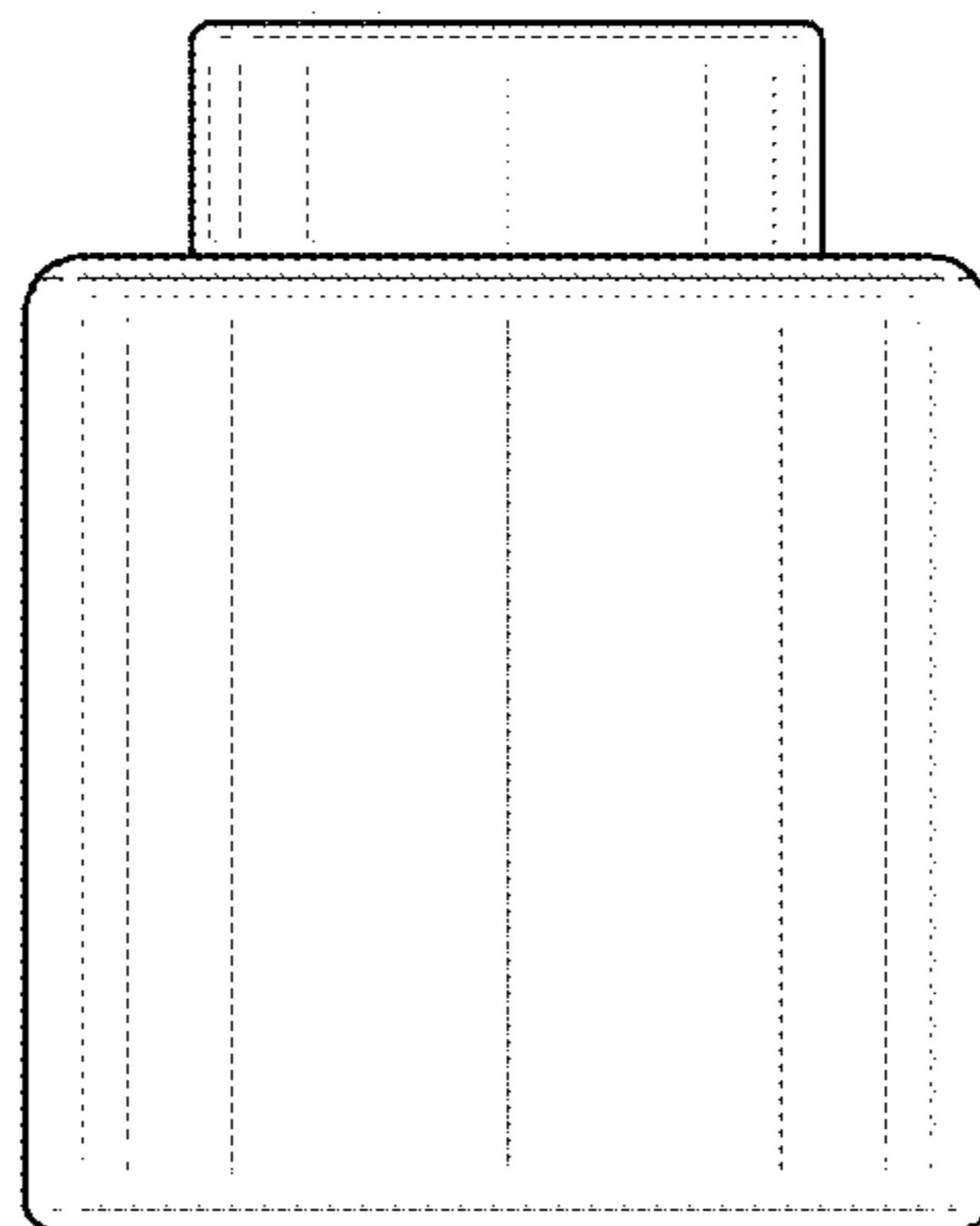


FIG. 10

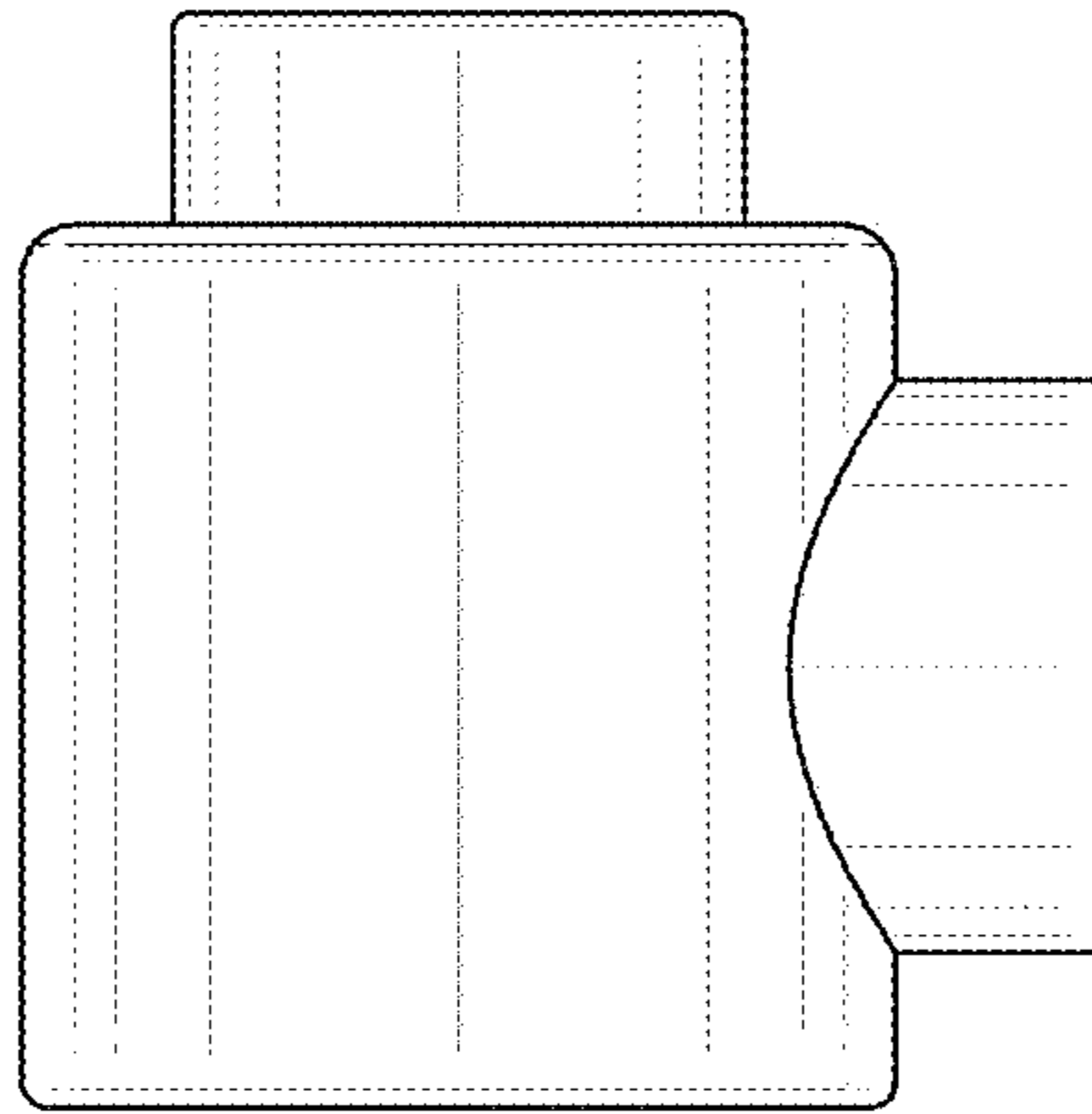


FIG. 11

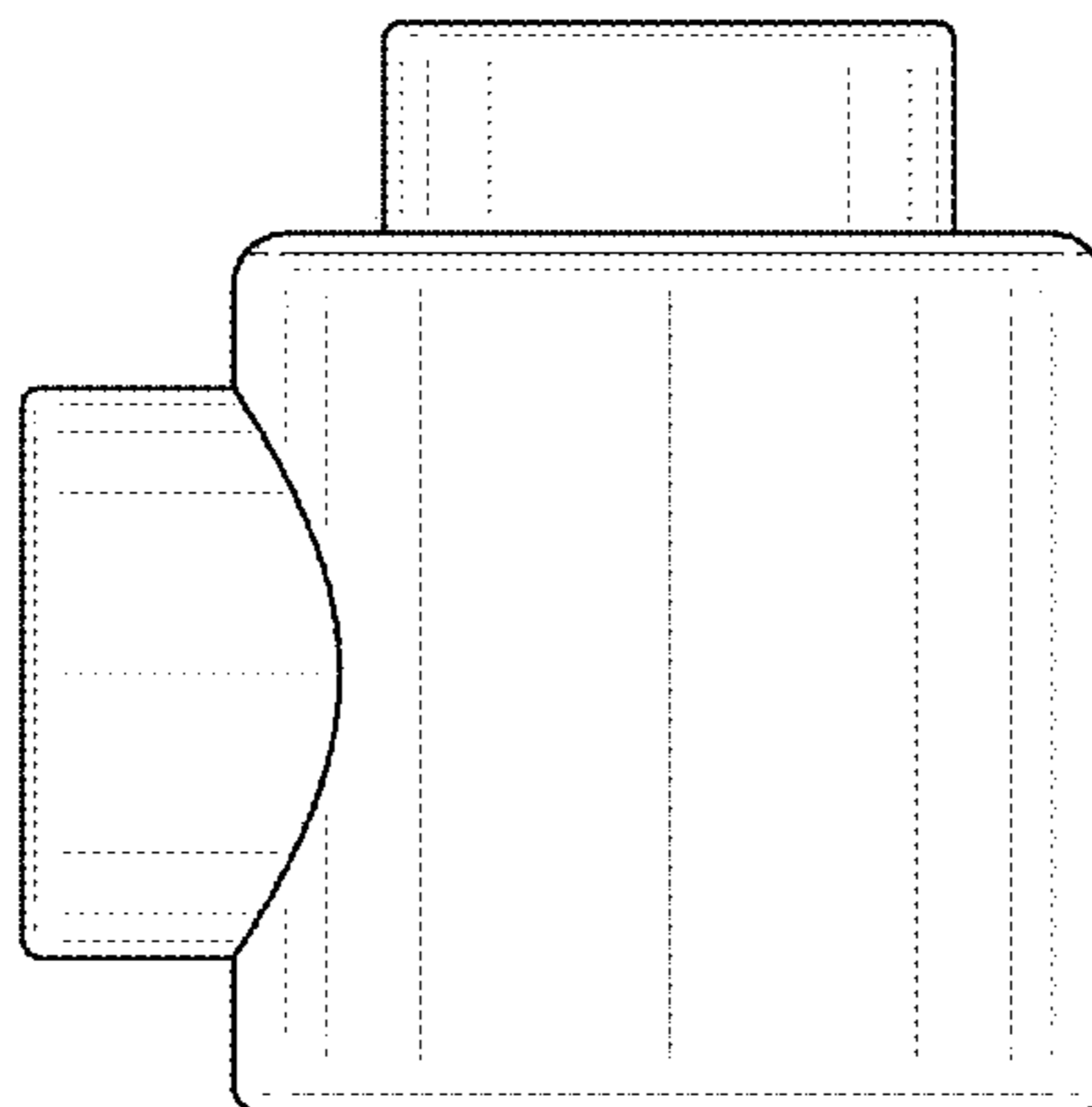


FIG. 12

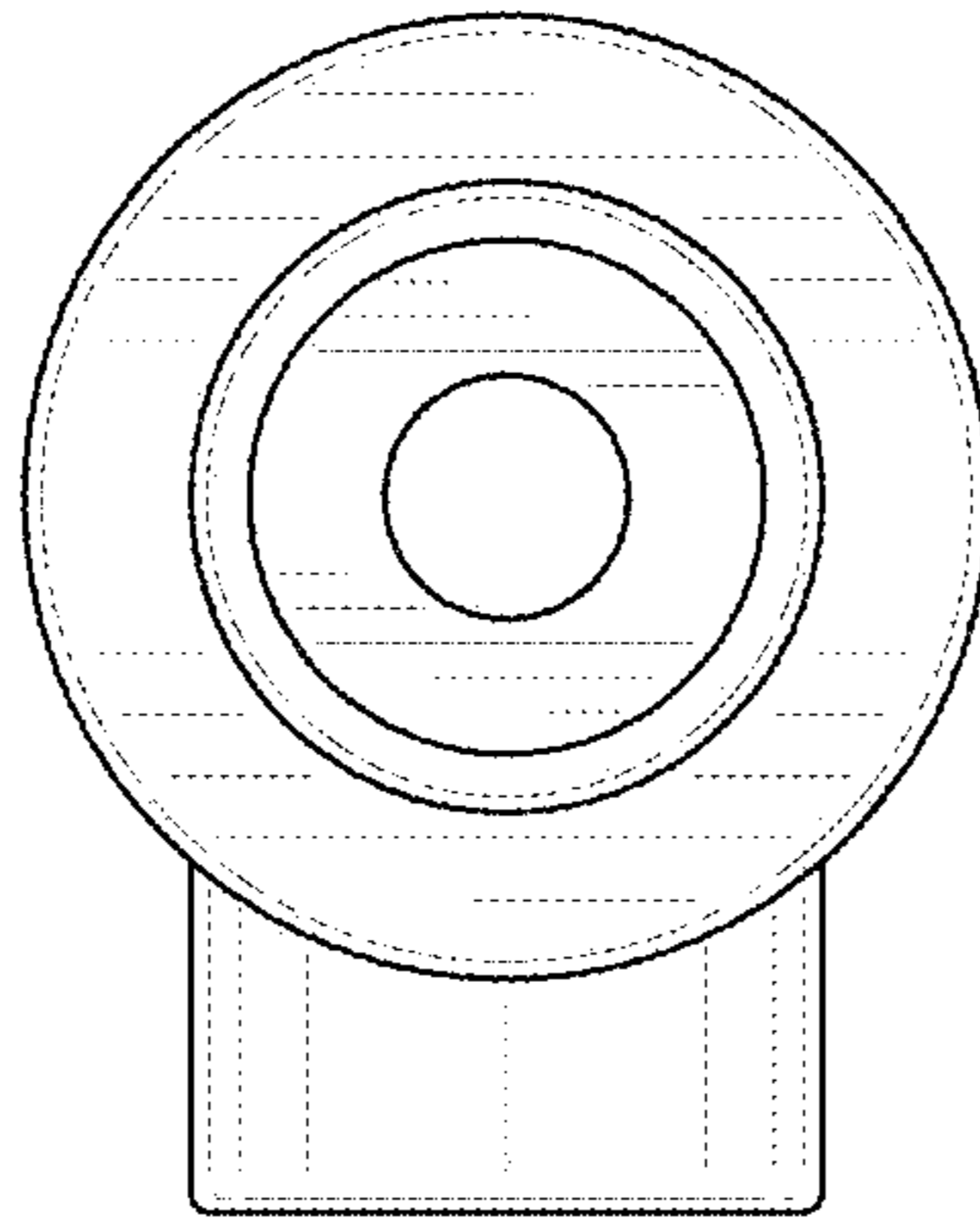


FIG. 13

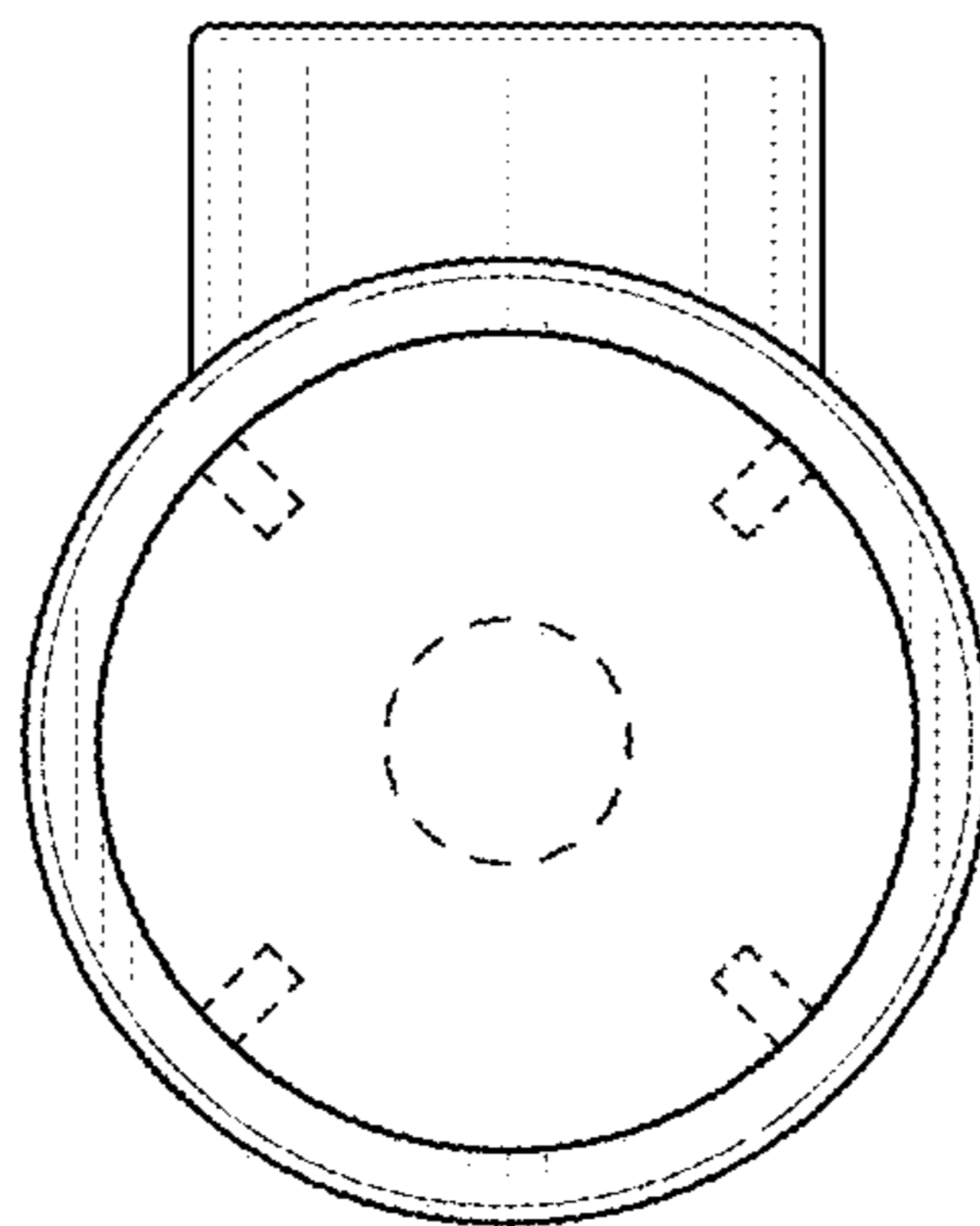


FIG. 14

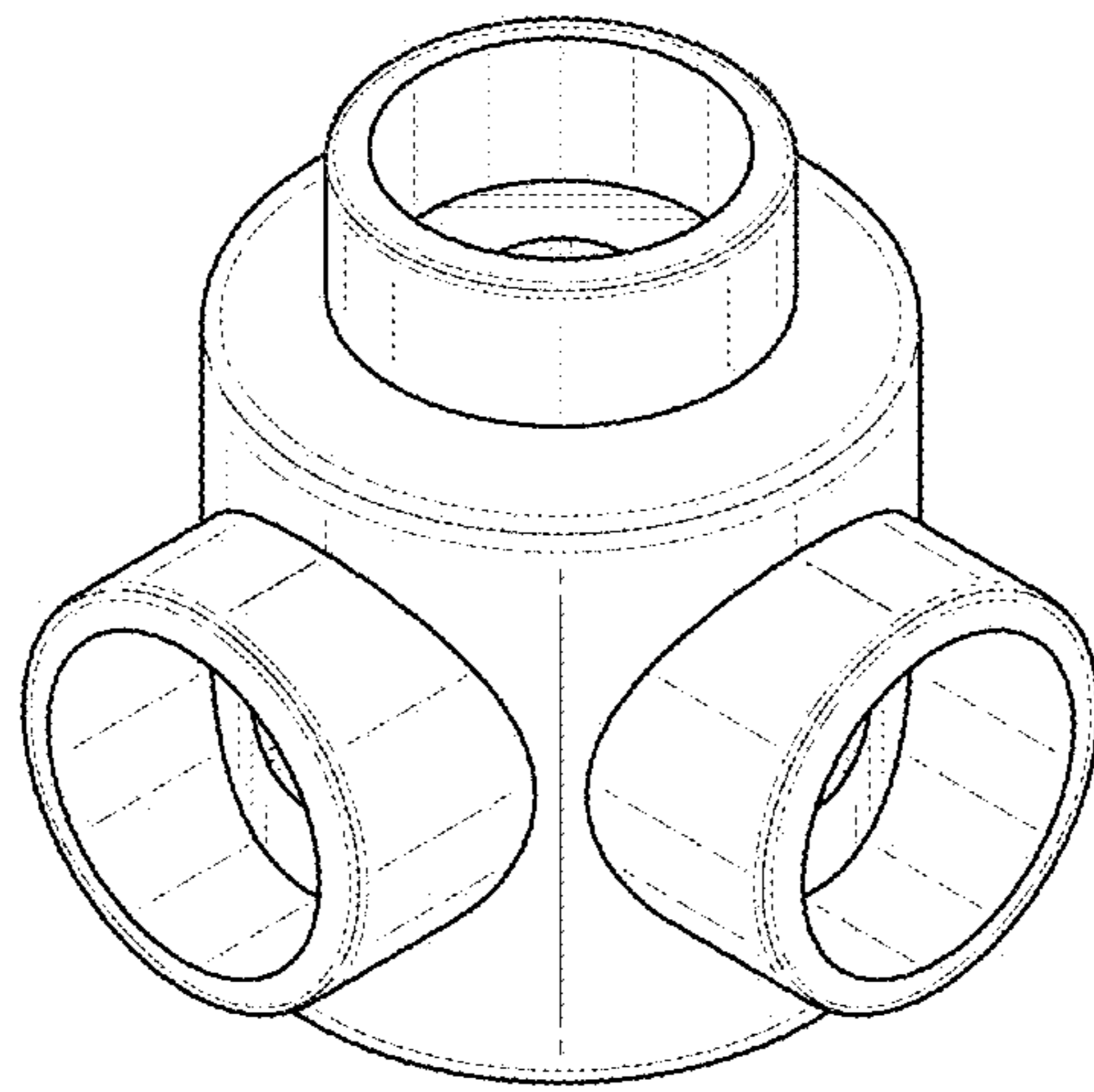


FIG. 15

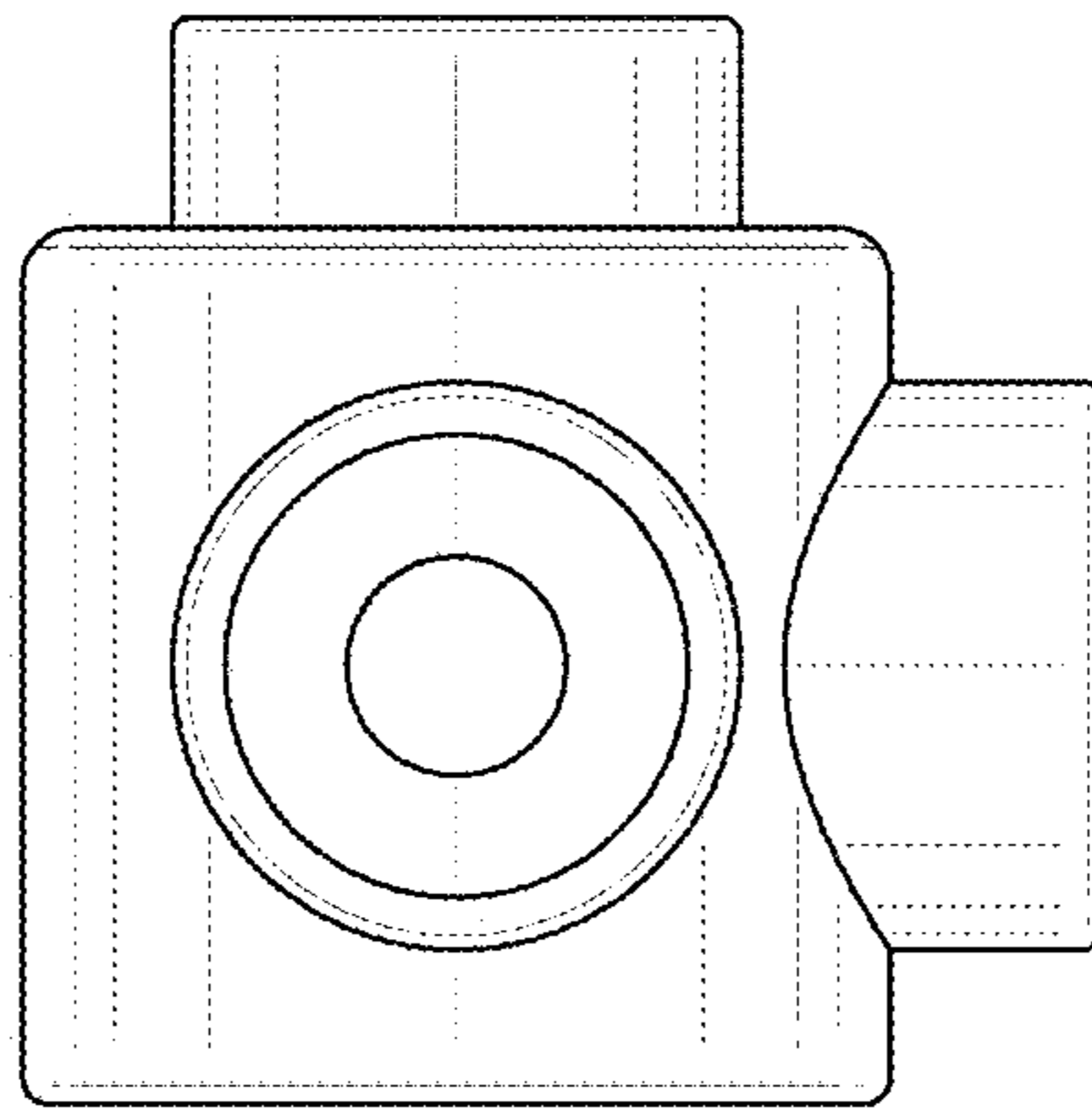


FIG. 16

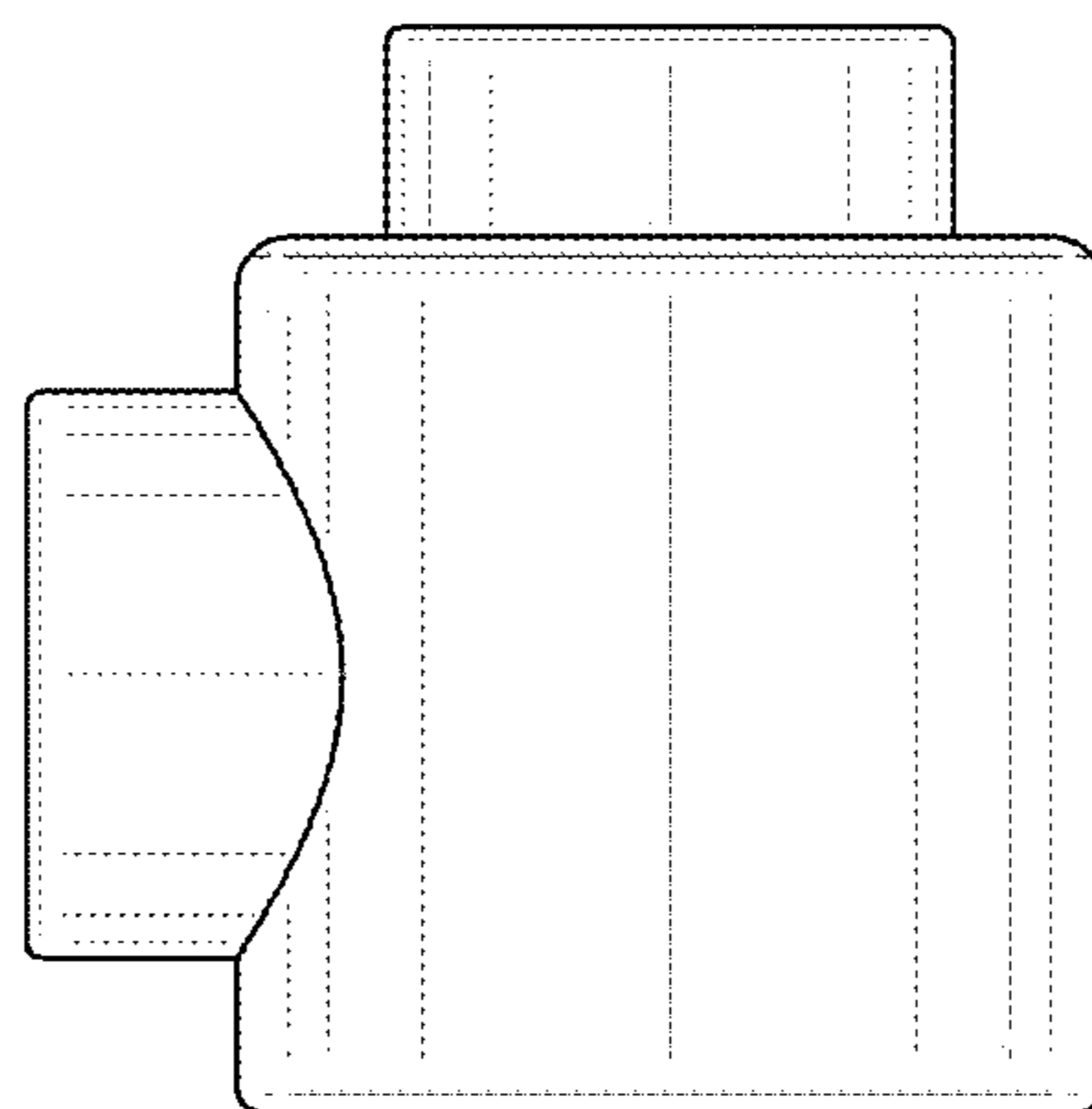


FIG. 17

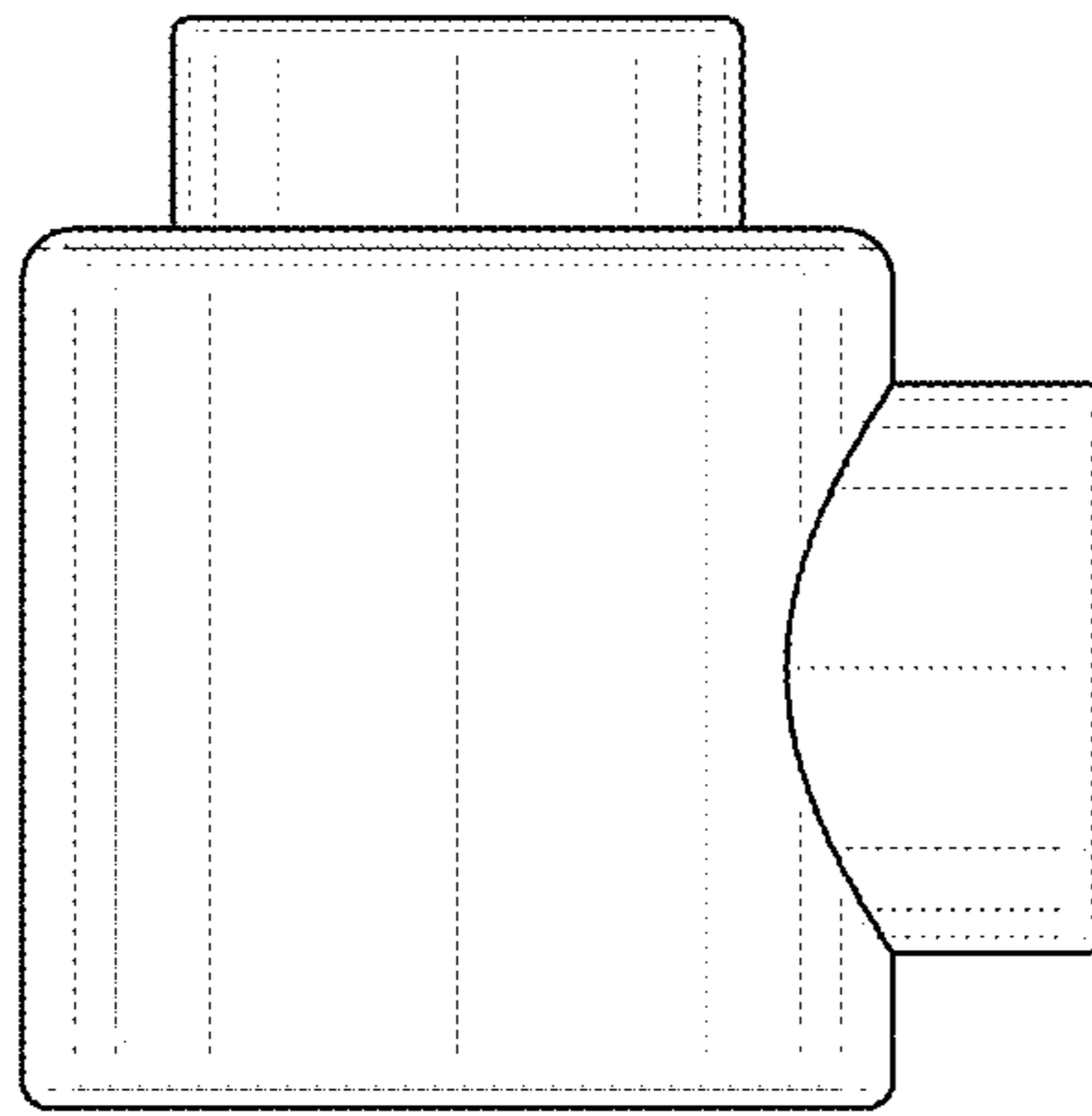


FIG. 18

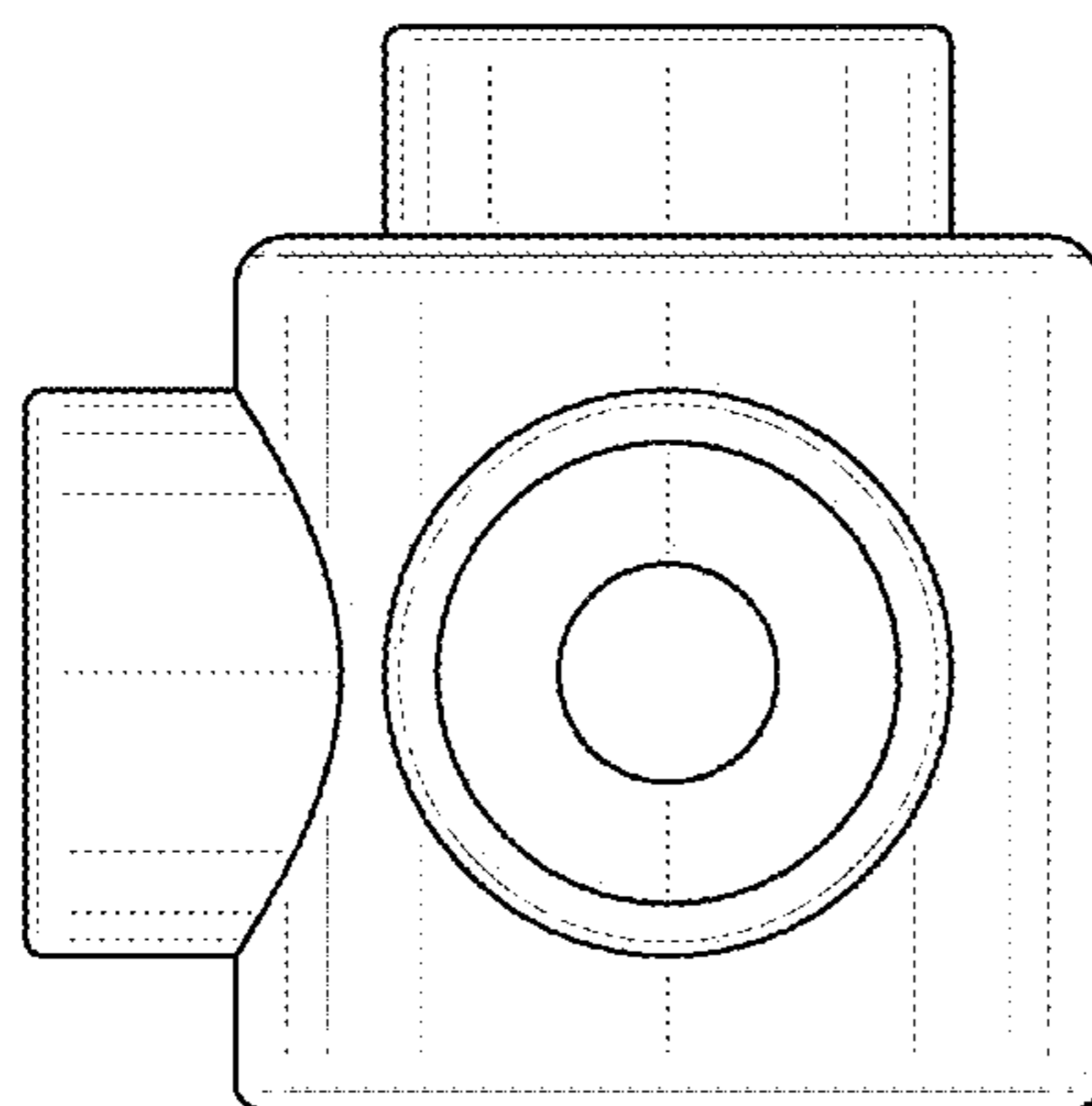


FIG. 19

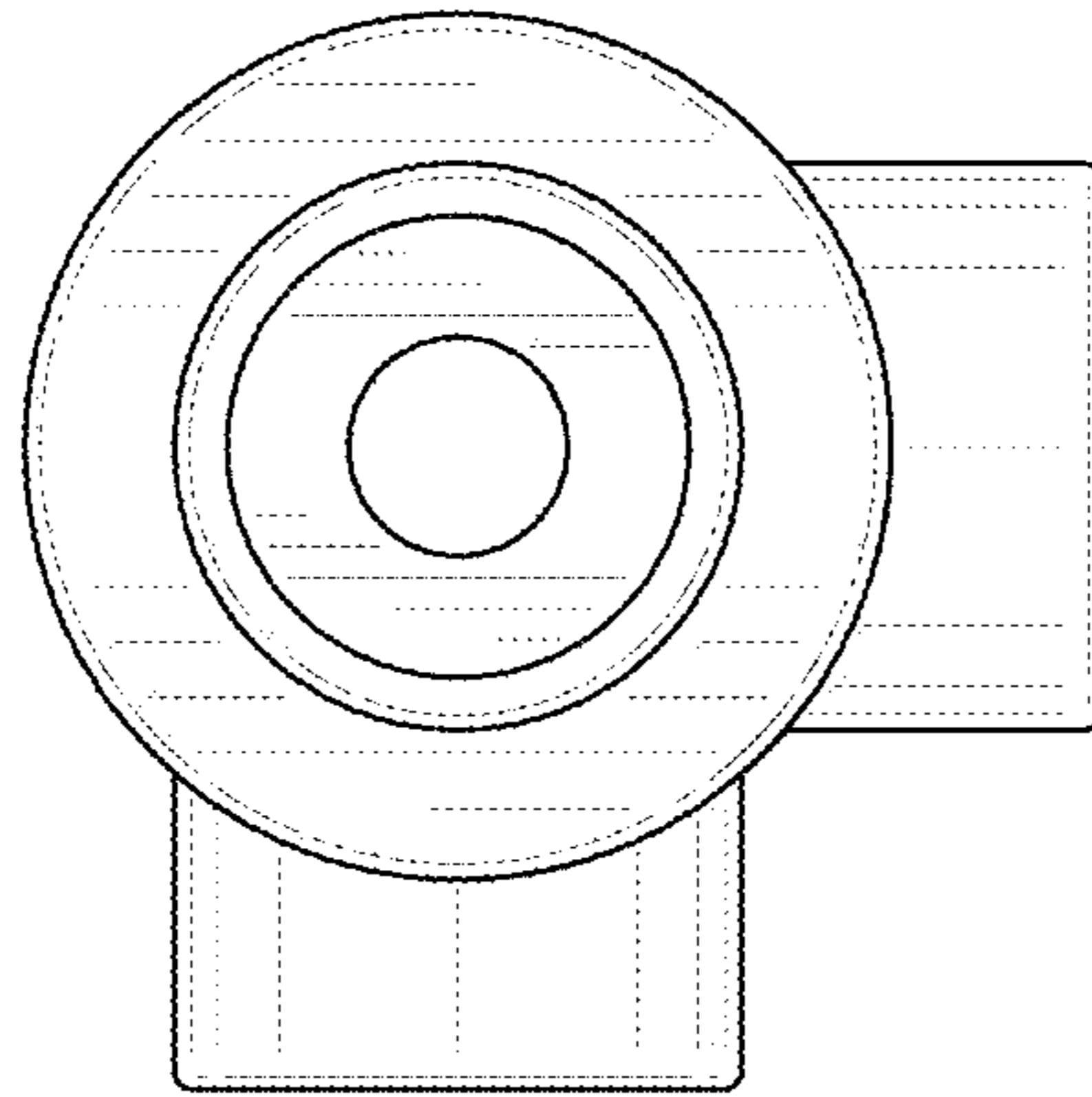


FIG. 20

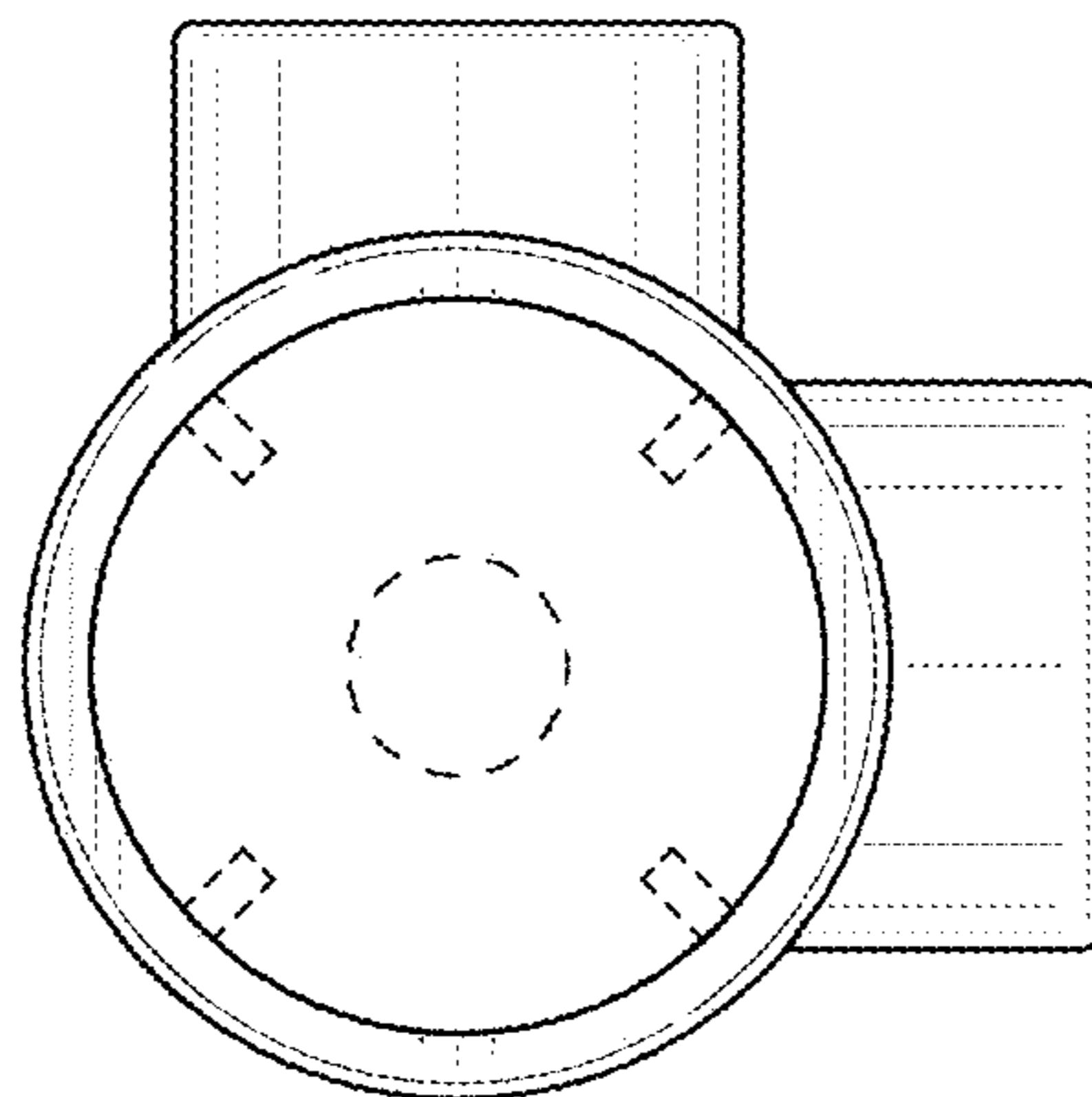


FIG. 21

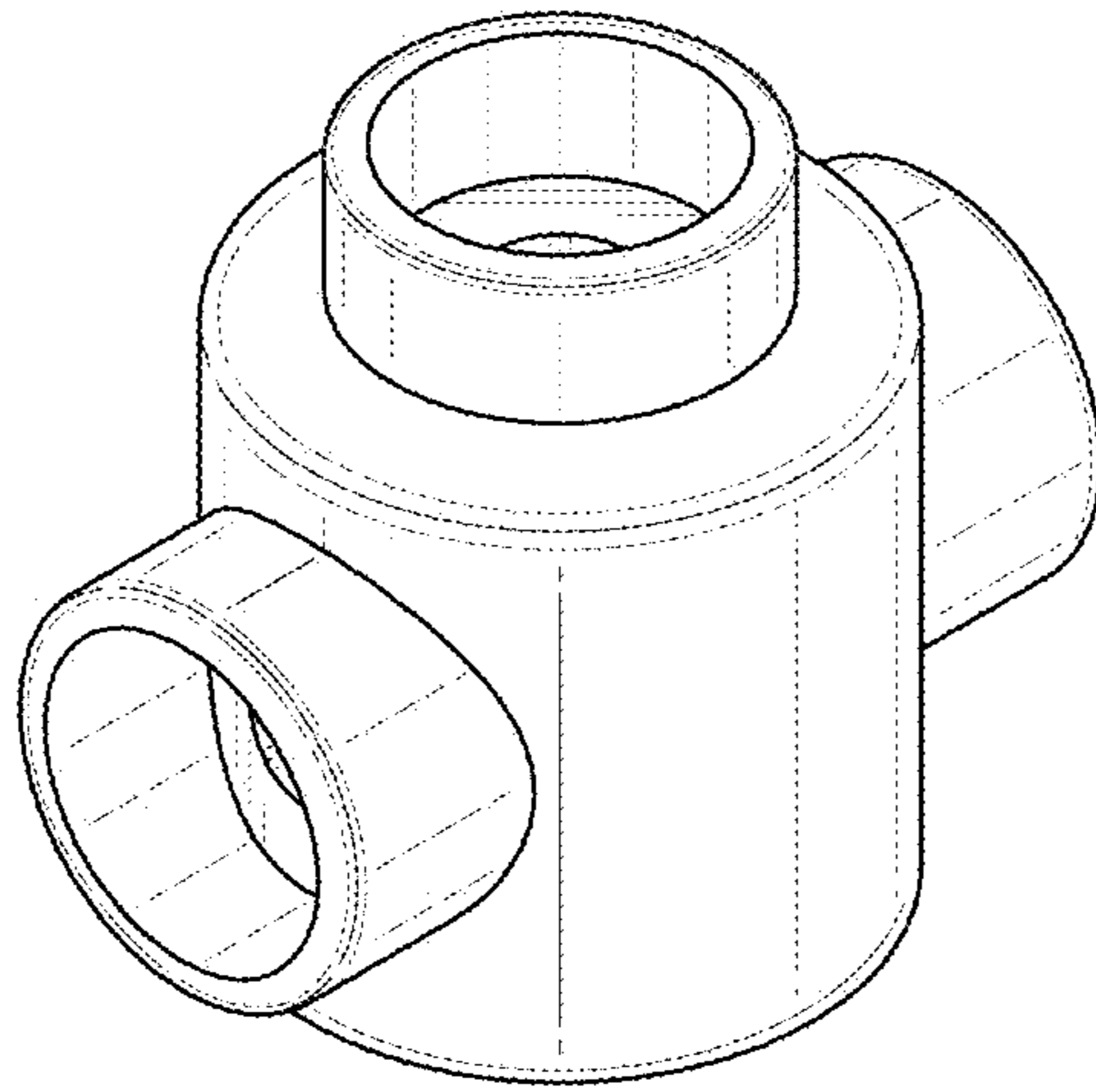


FIG. 22

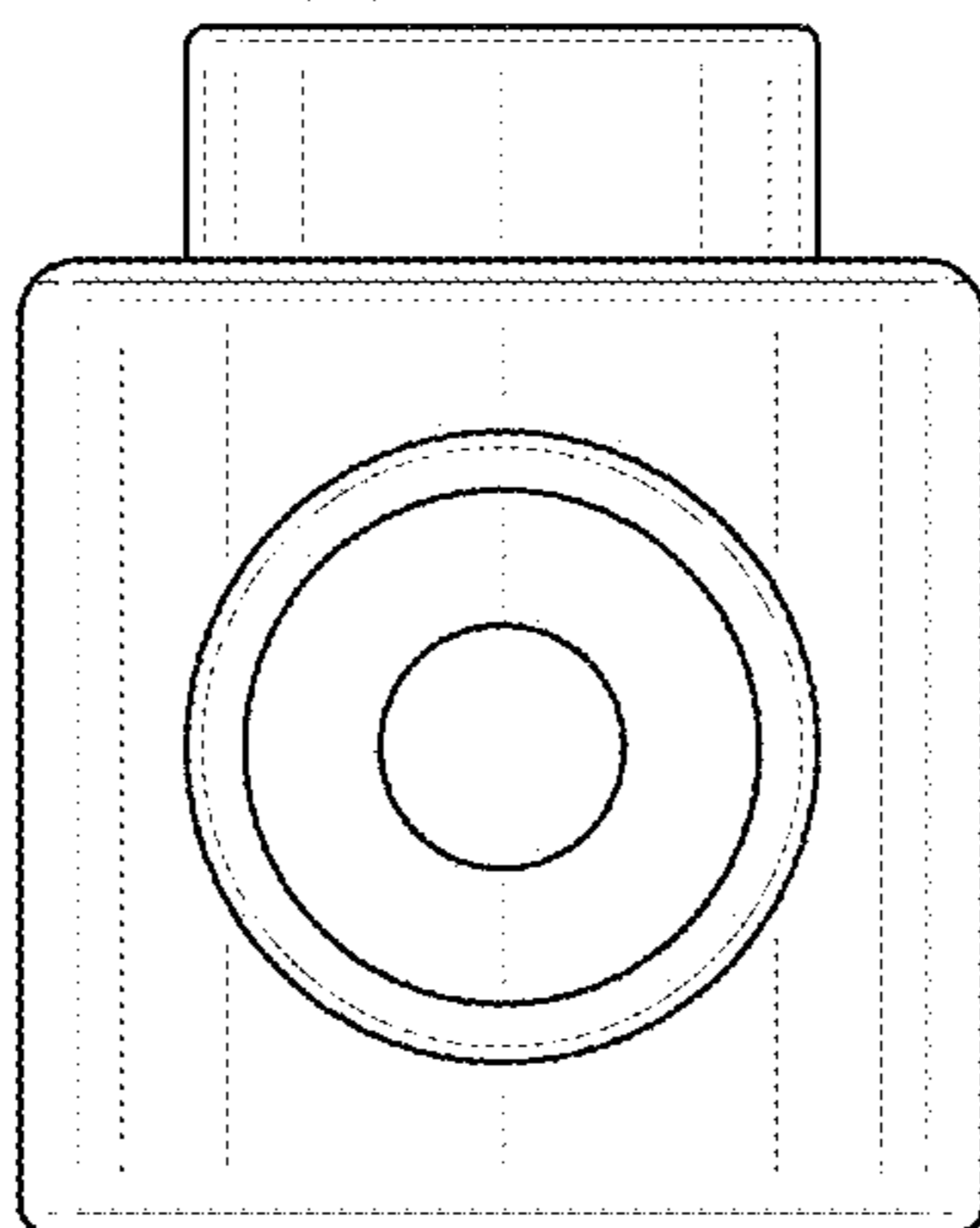


FIG. 23

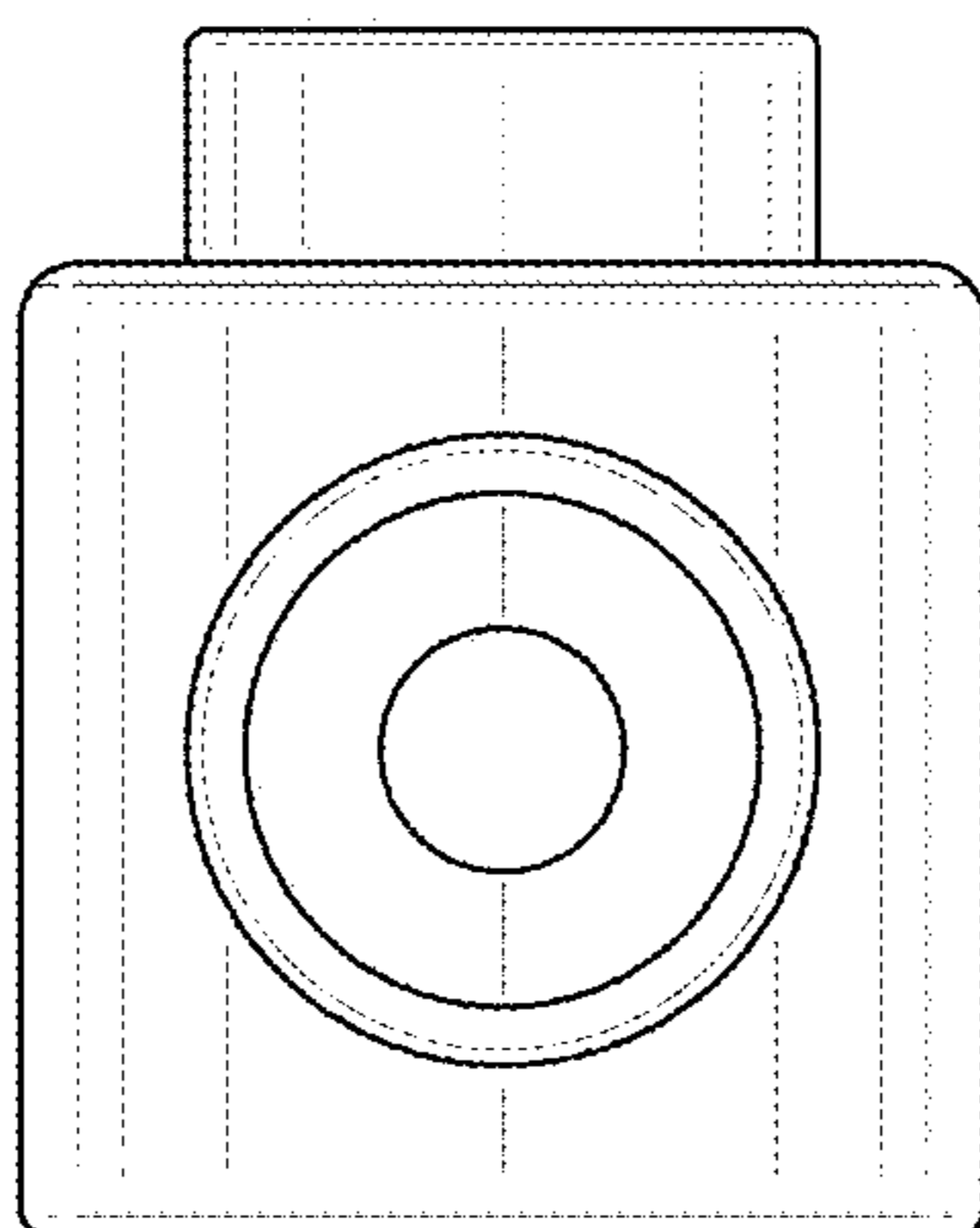


FIG. 24

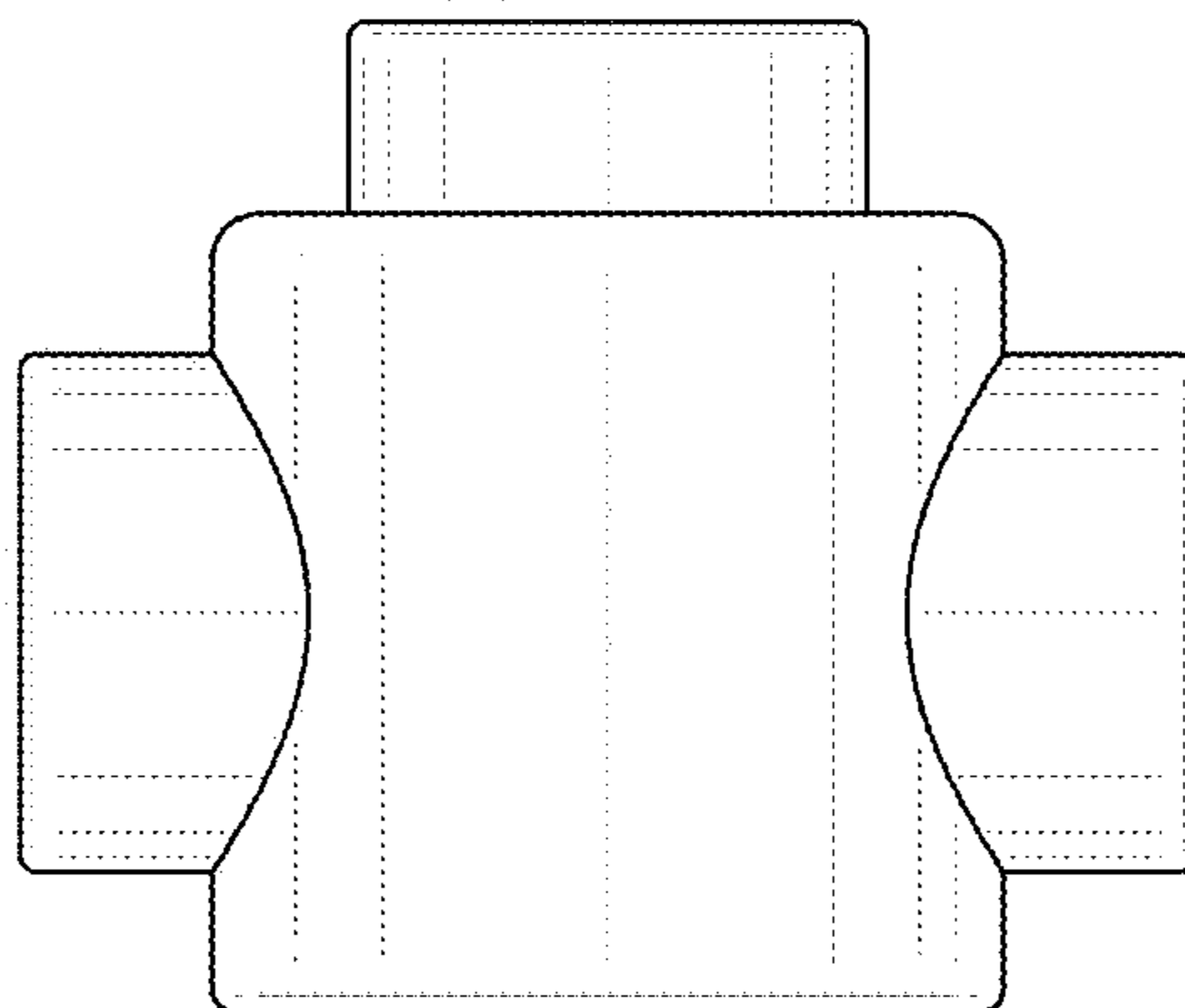


FIG. 25

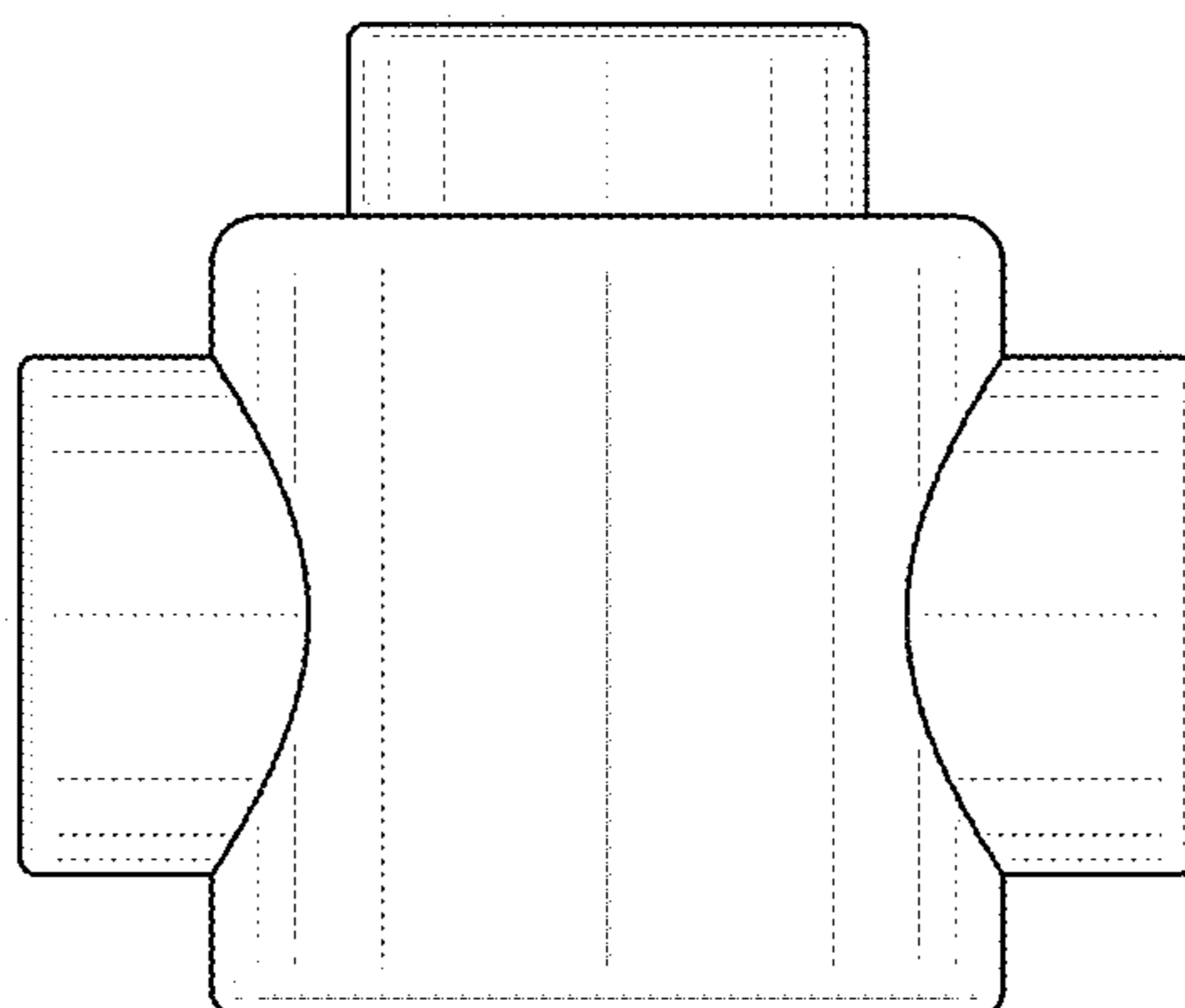


FIG. 26

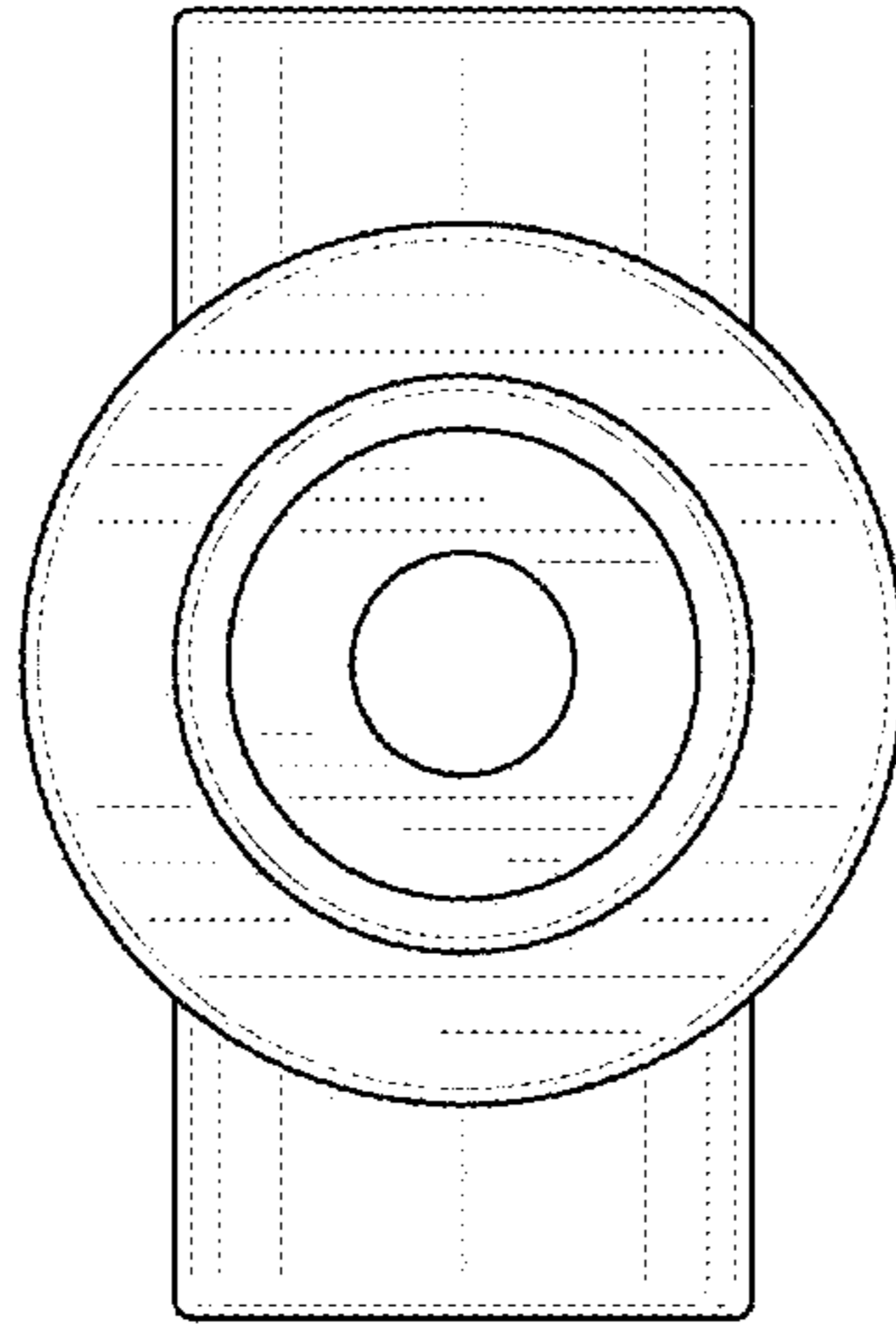


FIG. 27

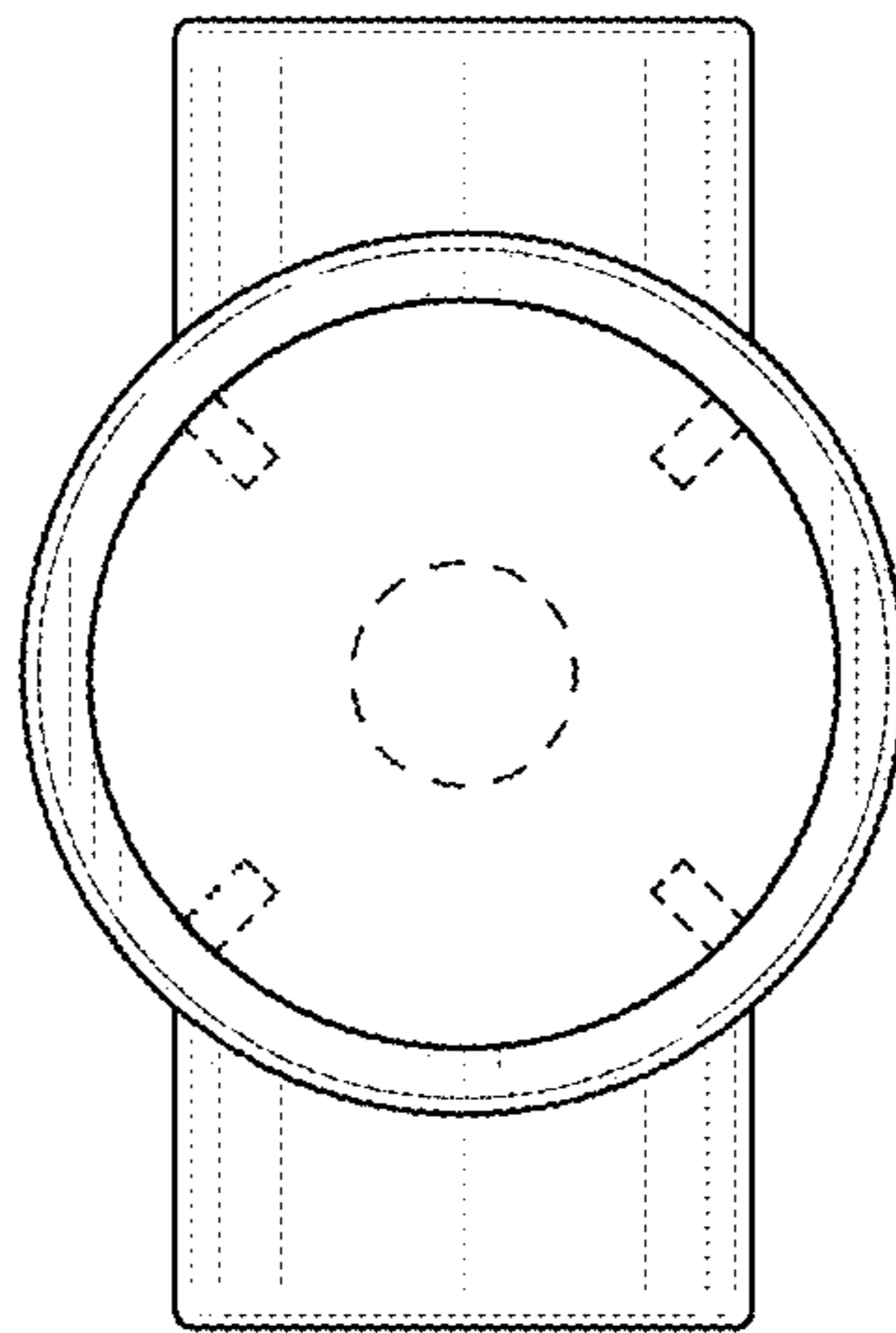


FIG. 28

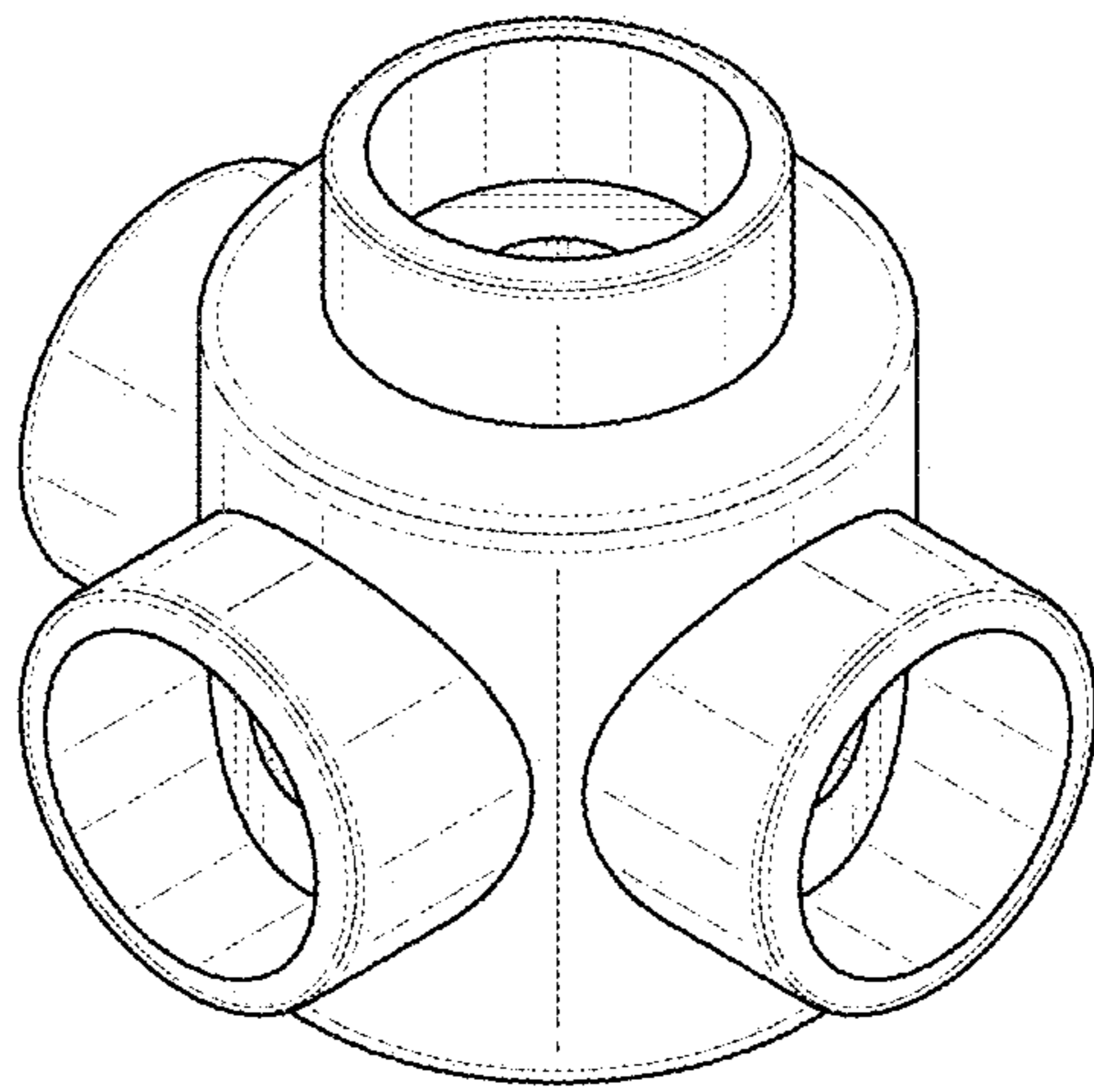


FIG. 29

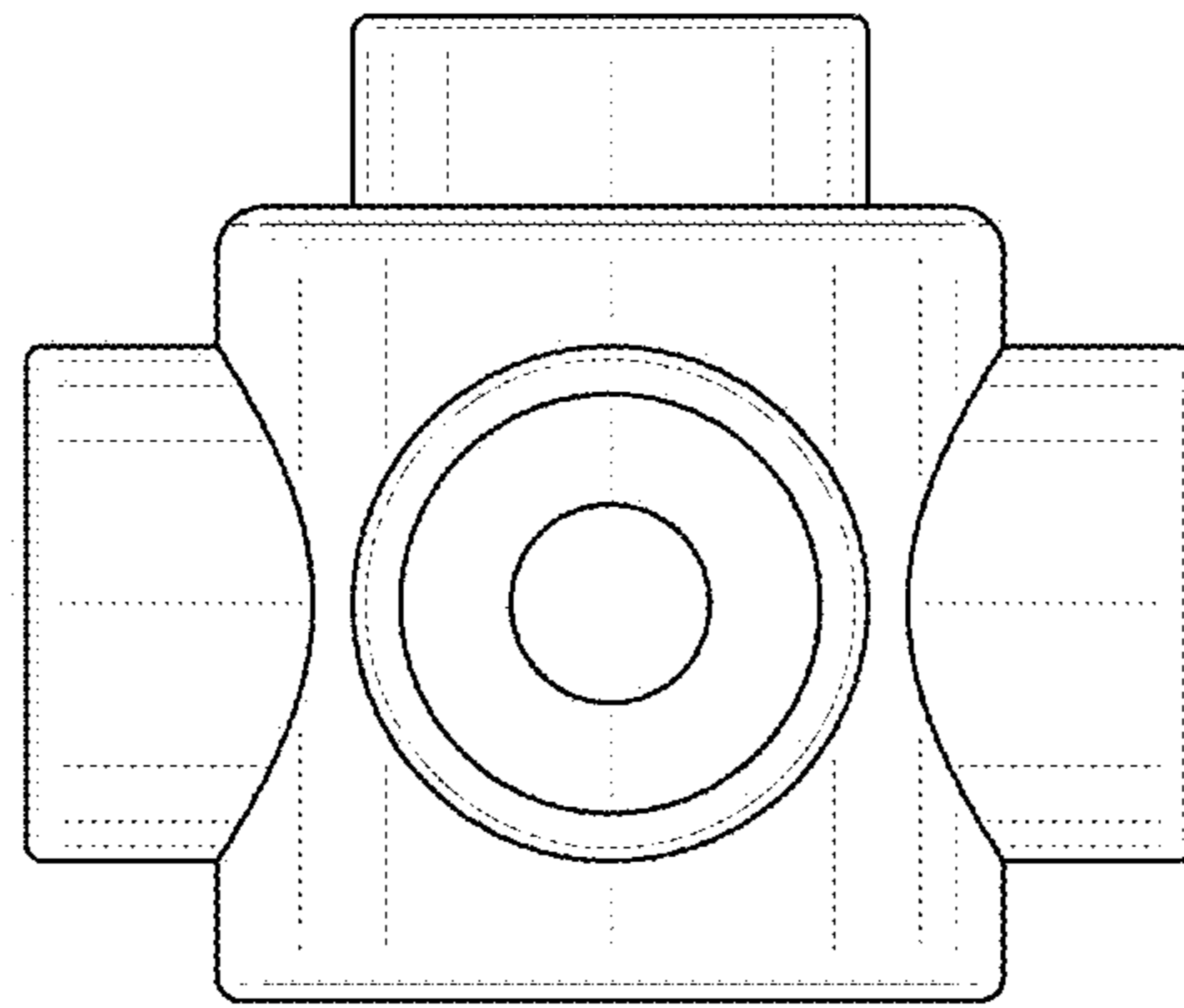


FIG. 30

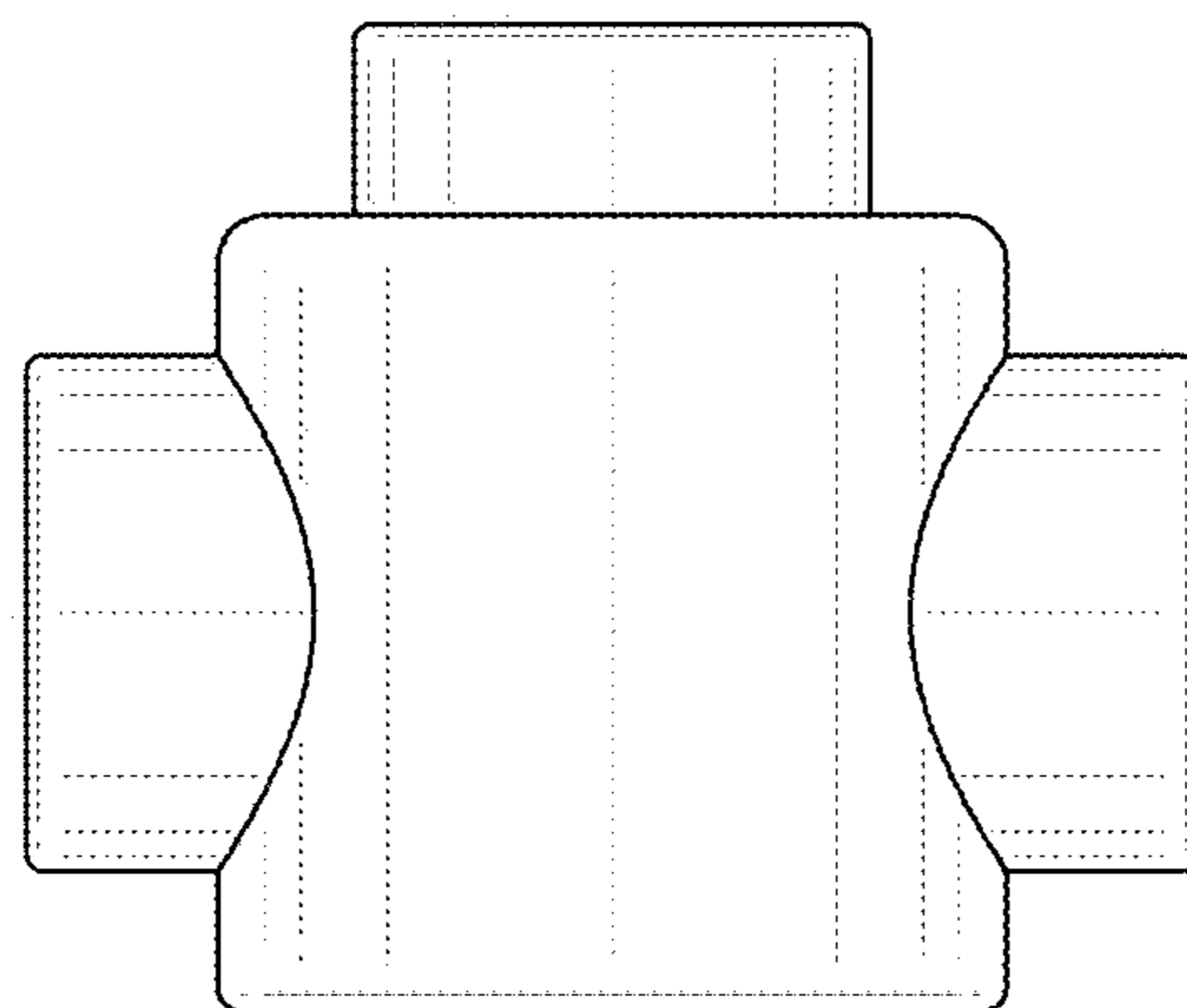


FIG. 31

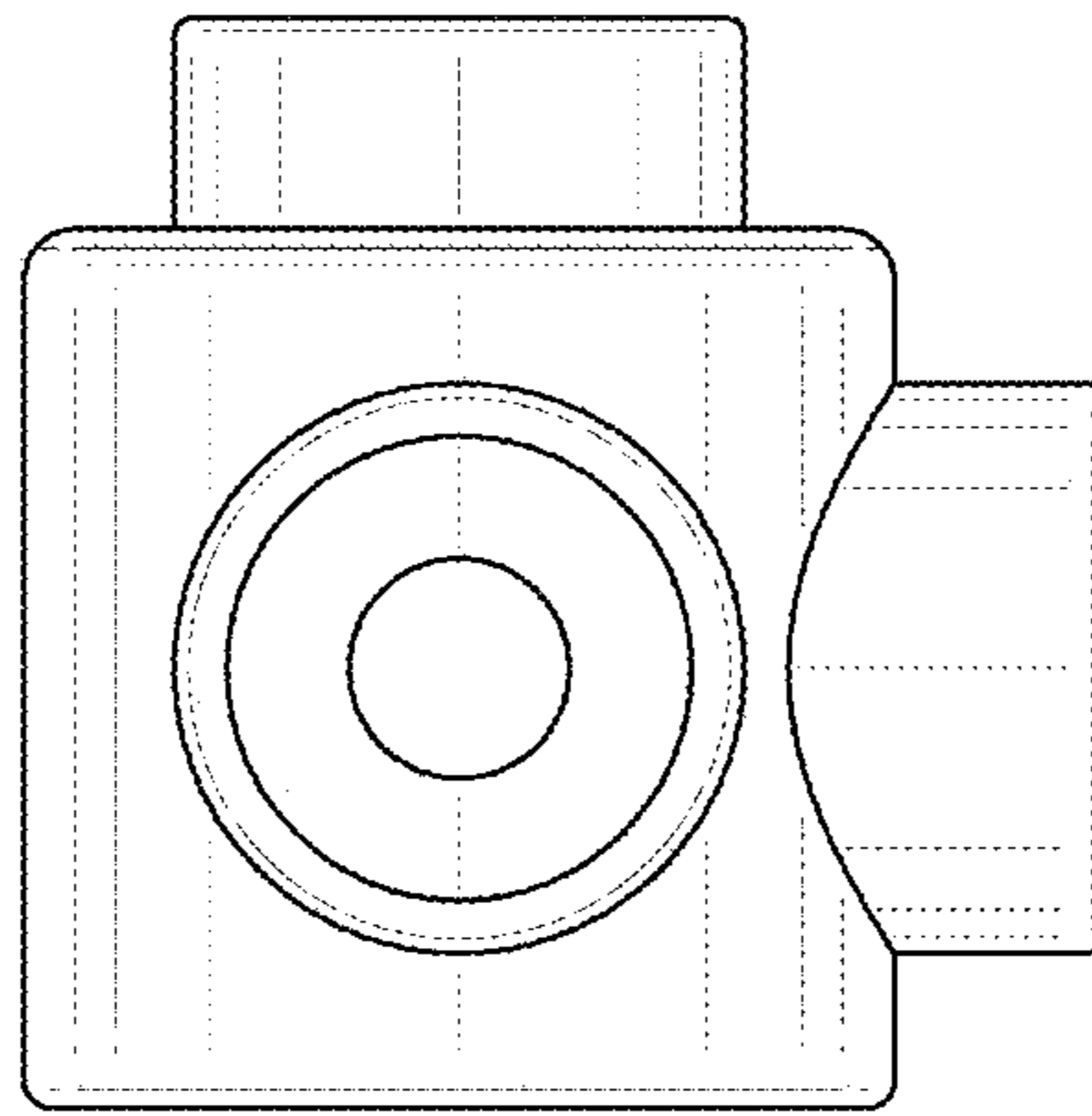


FIG. 32

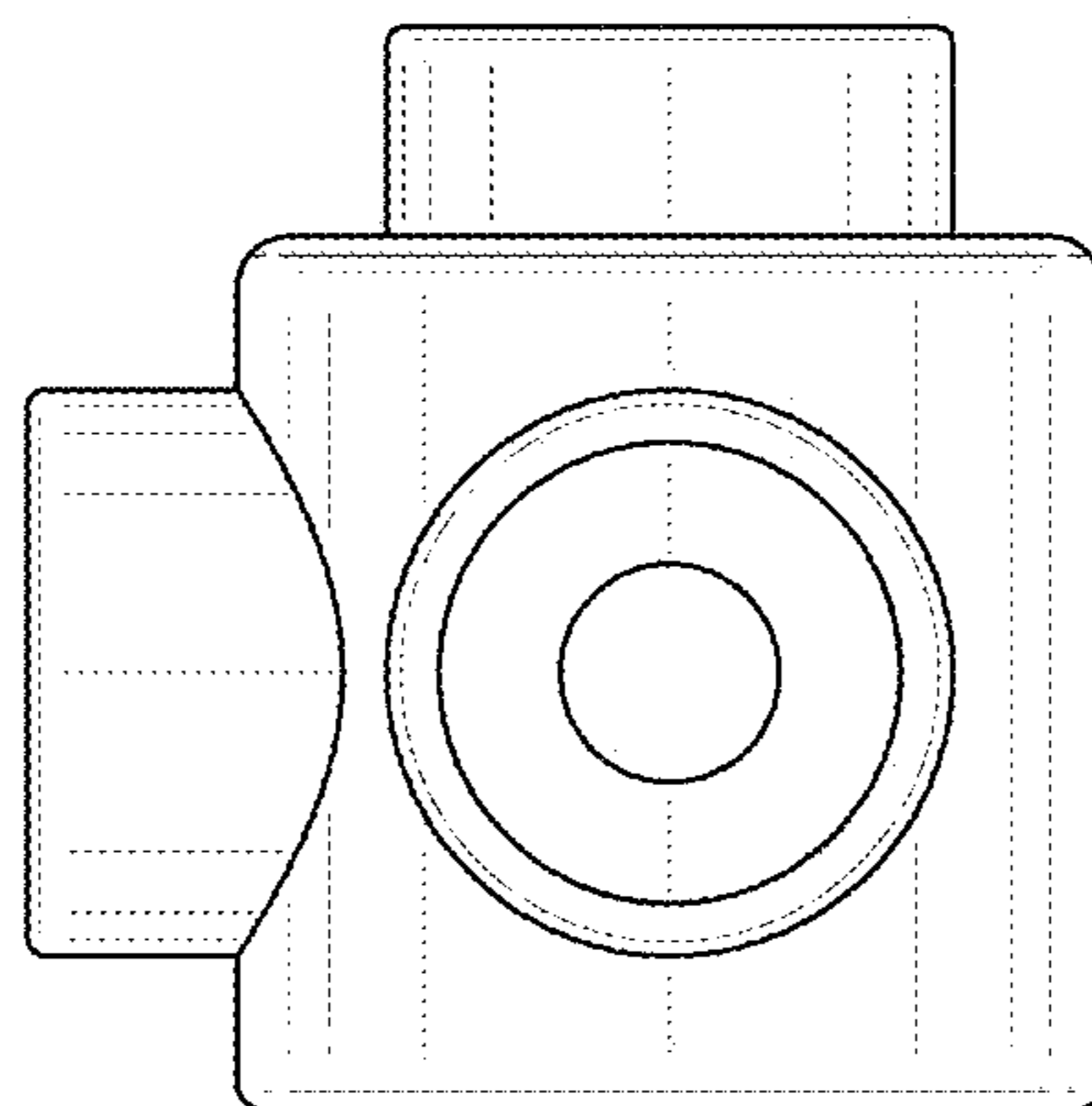


FIG. 33

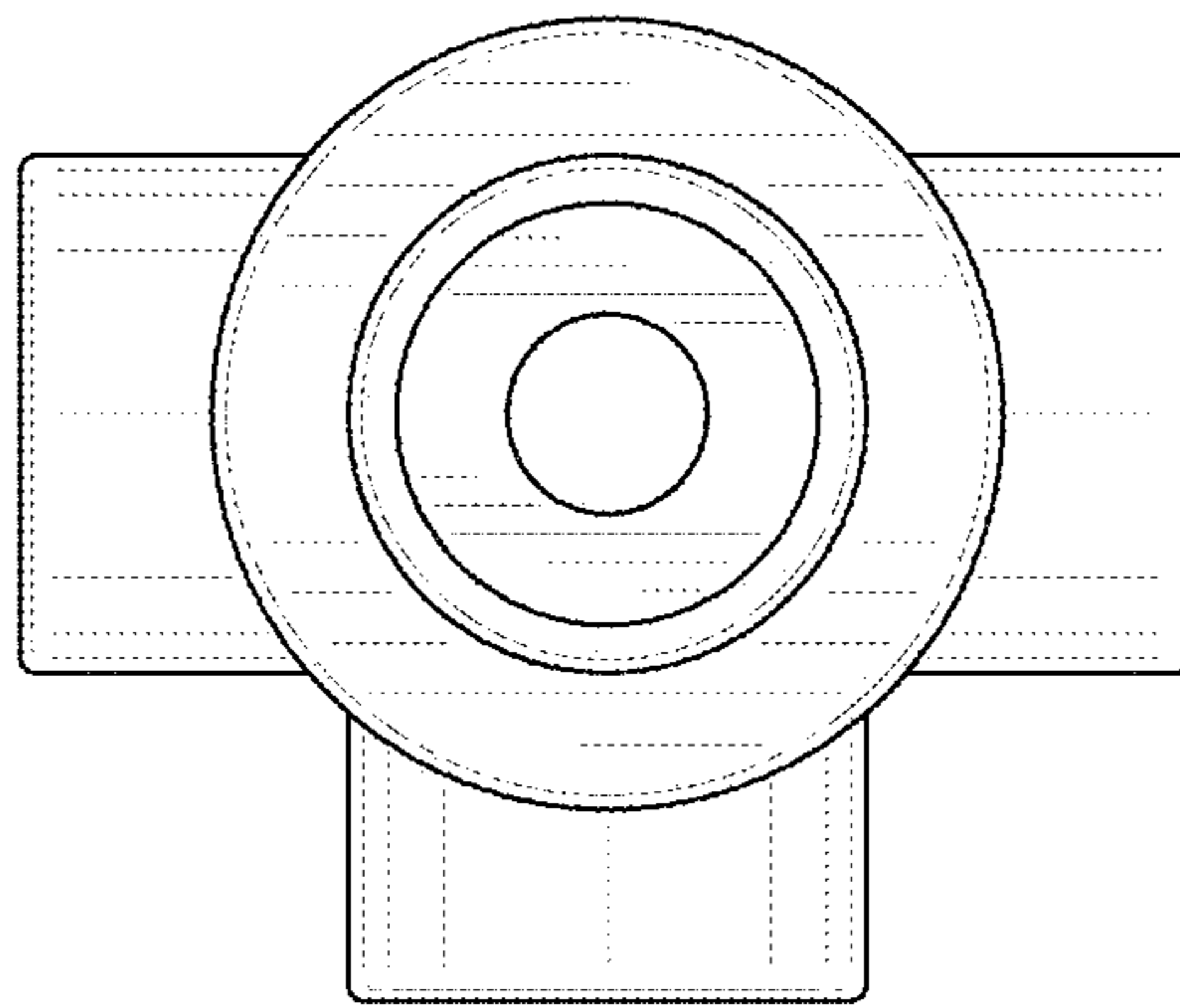


FIG. 34

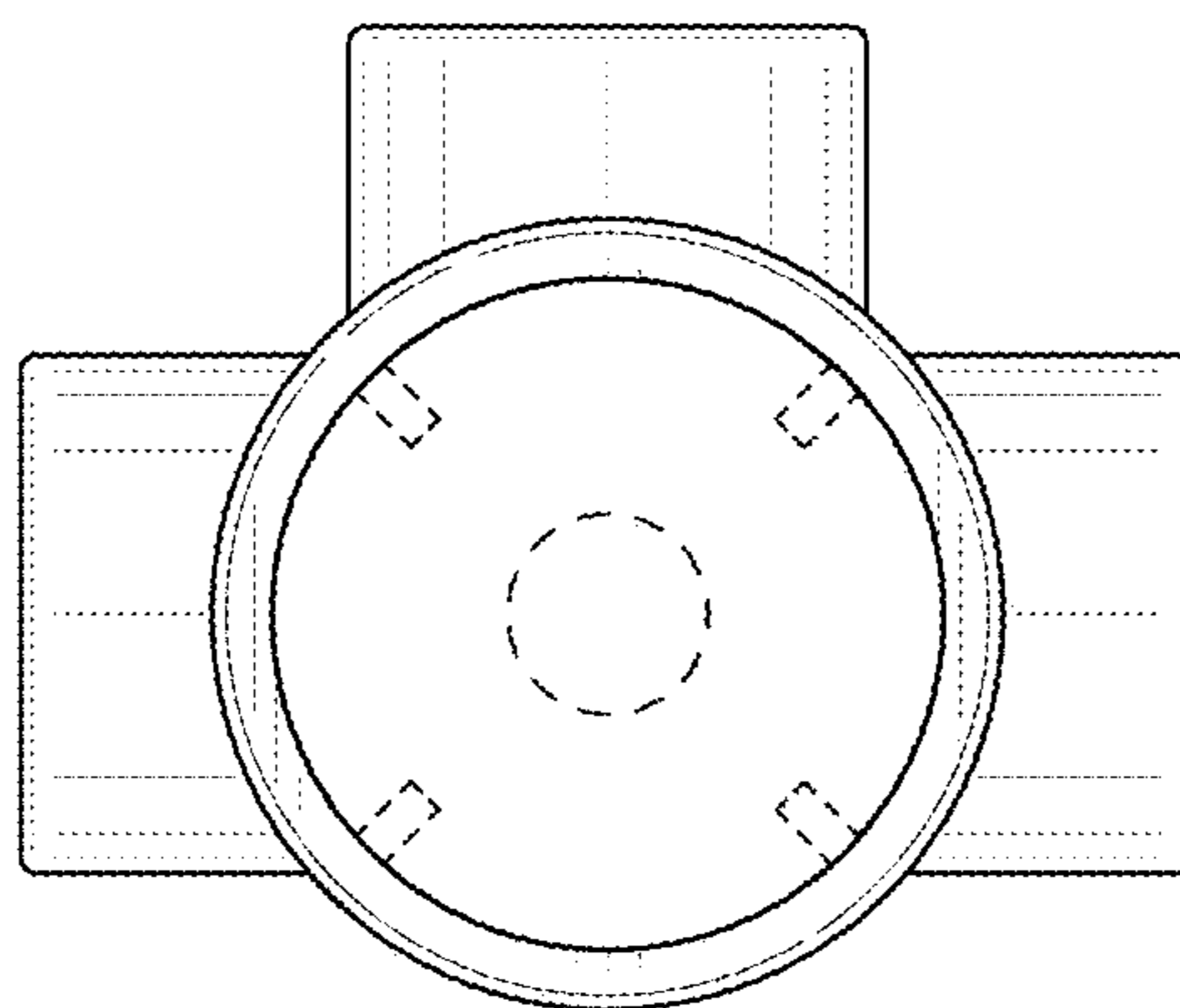


FIG. 35

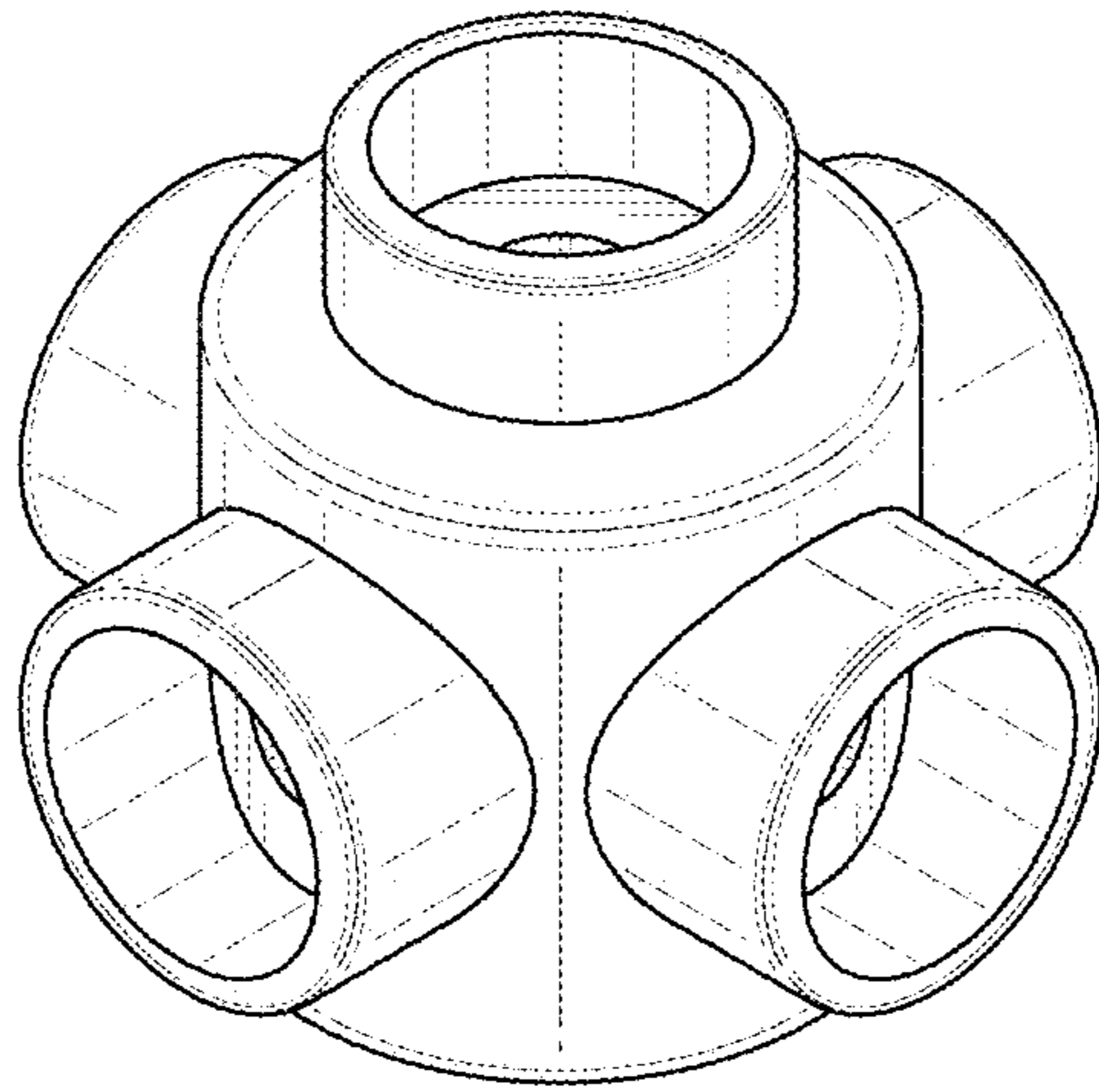


FIG. 36

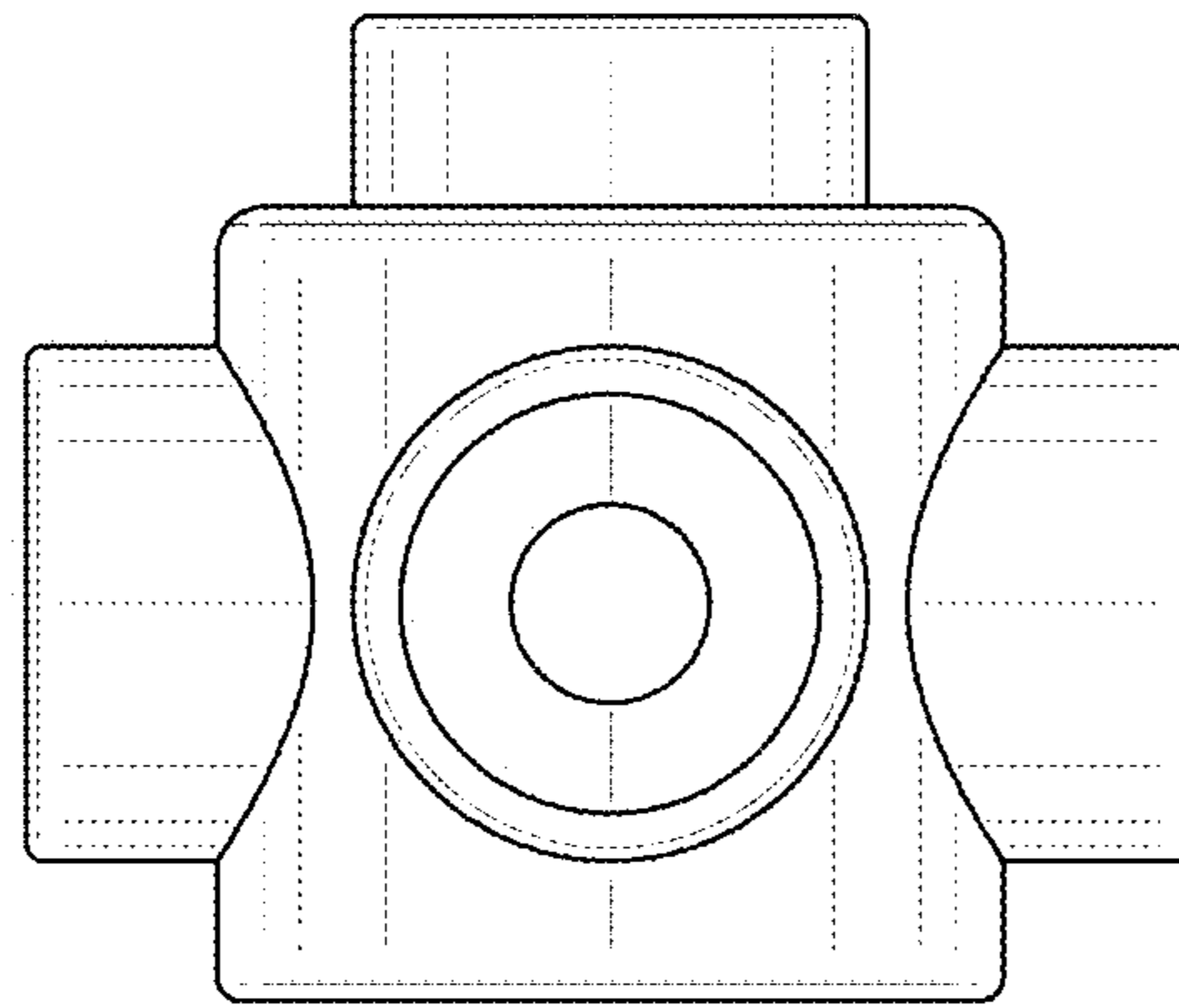


FIG. 37

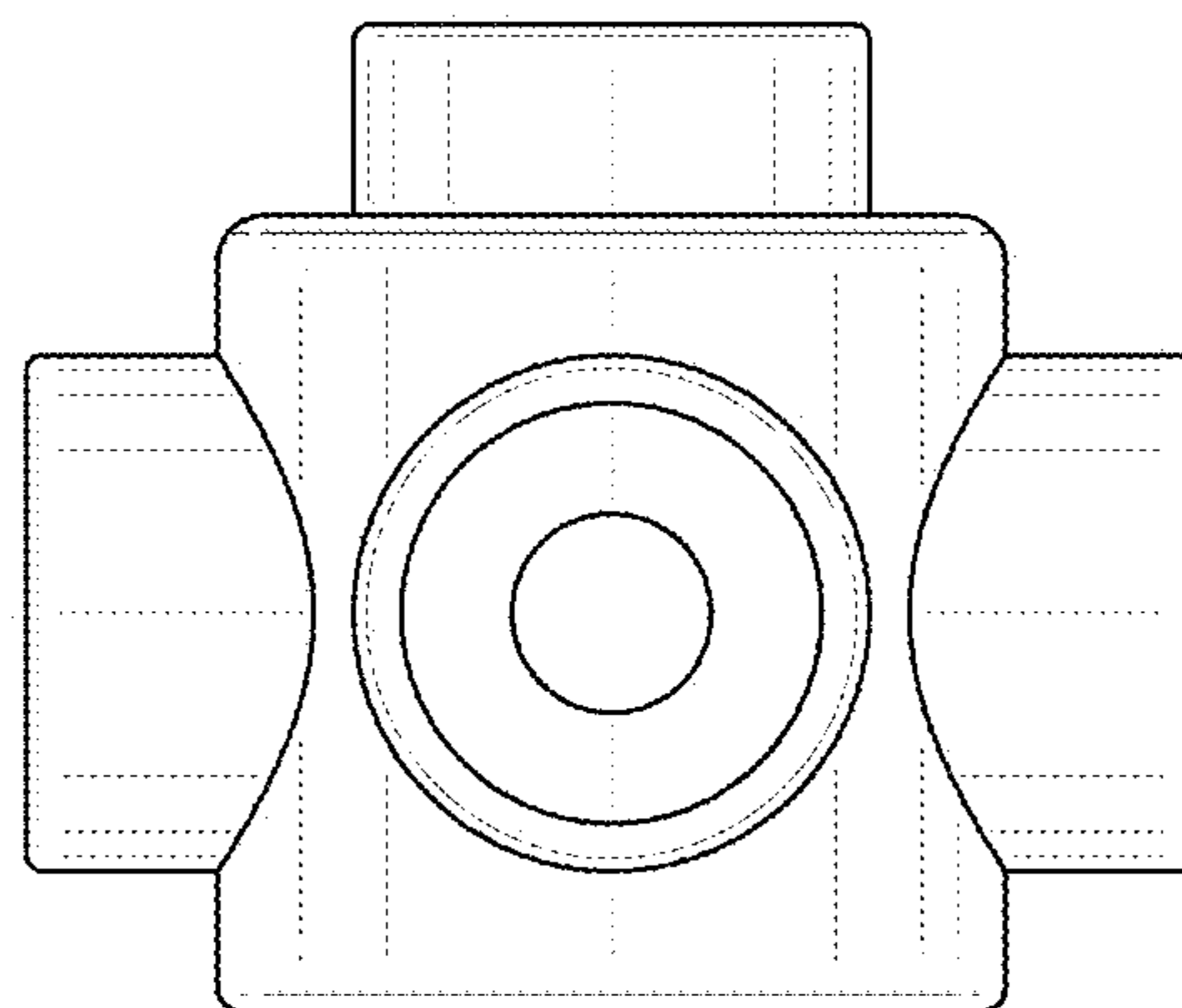


FIG. 38

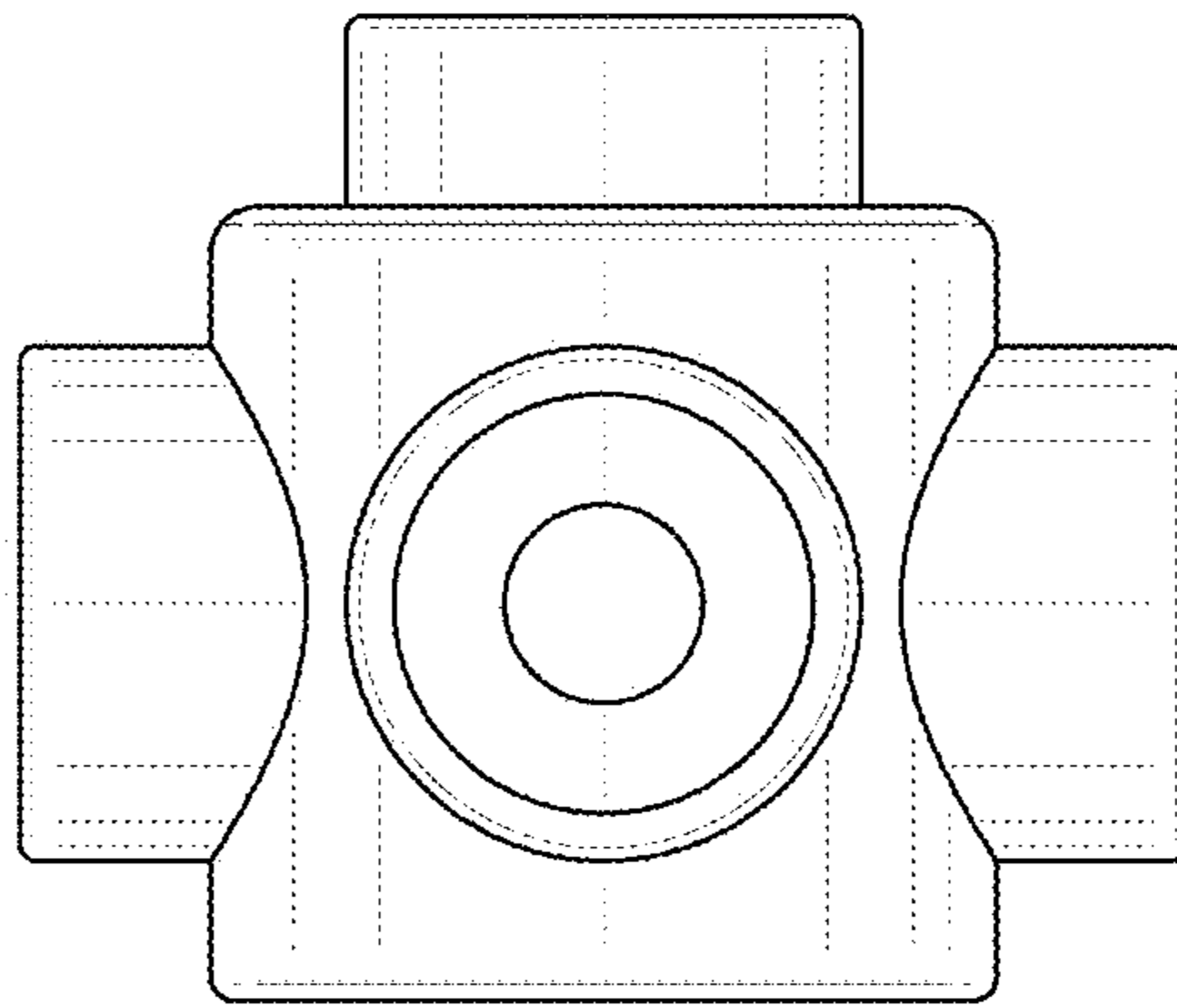


FIG. 39

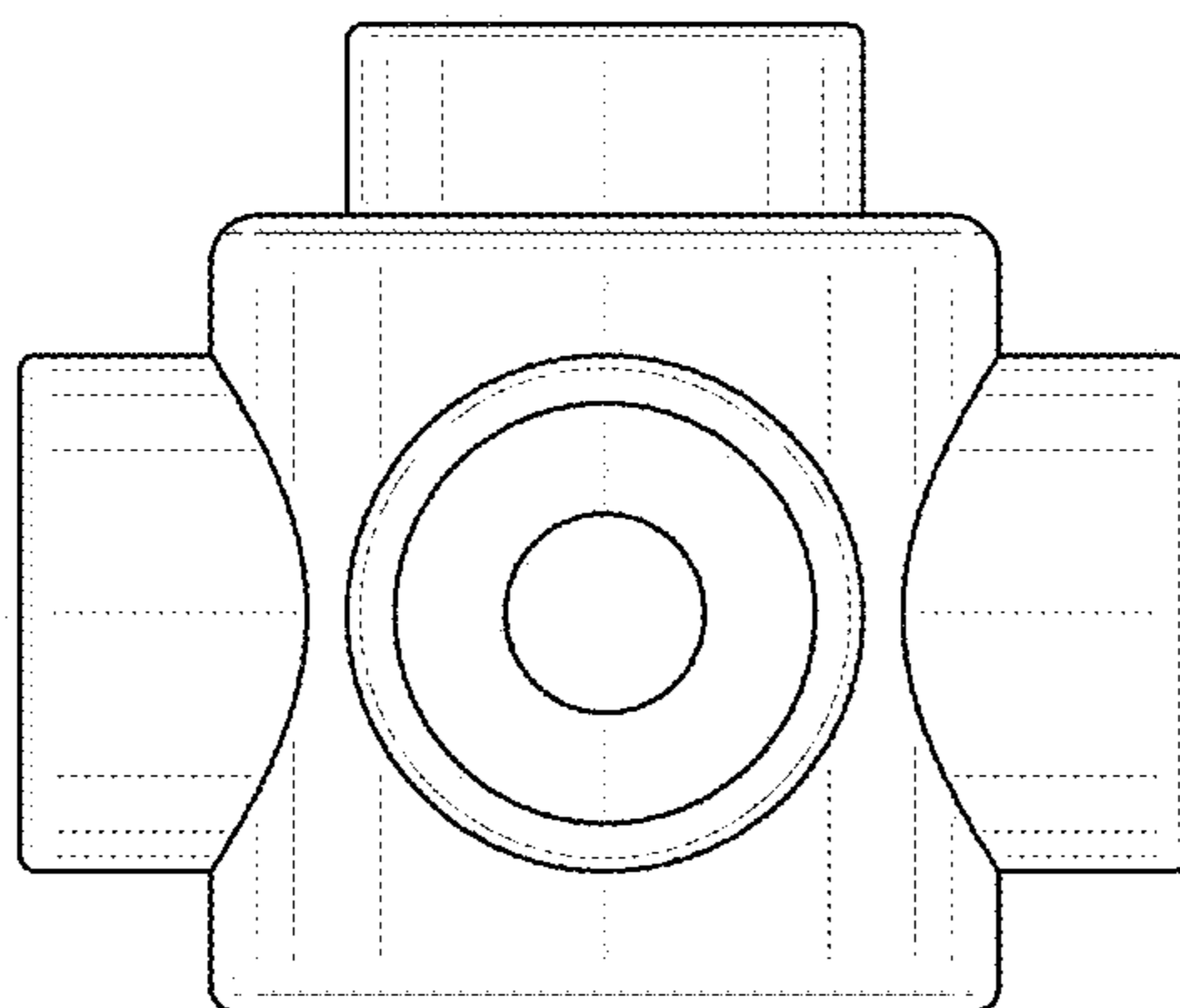


FIG. 40

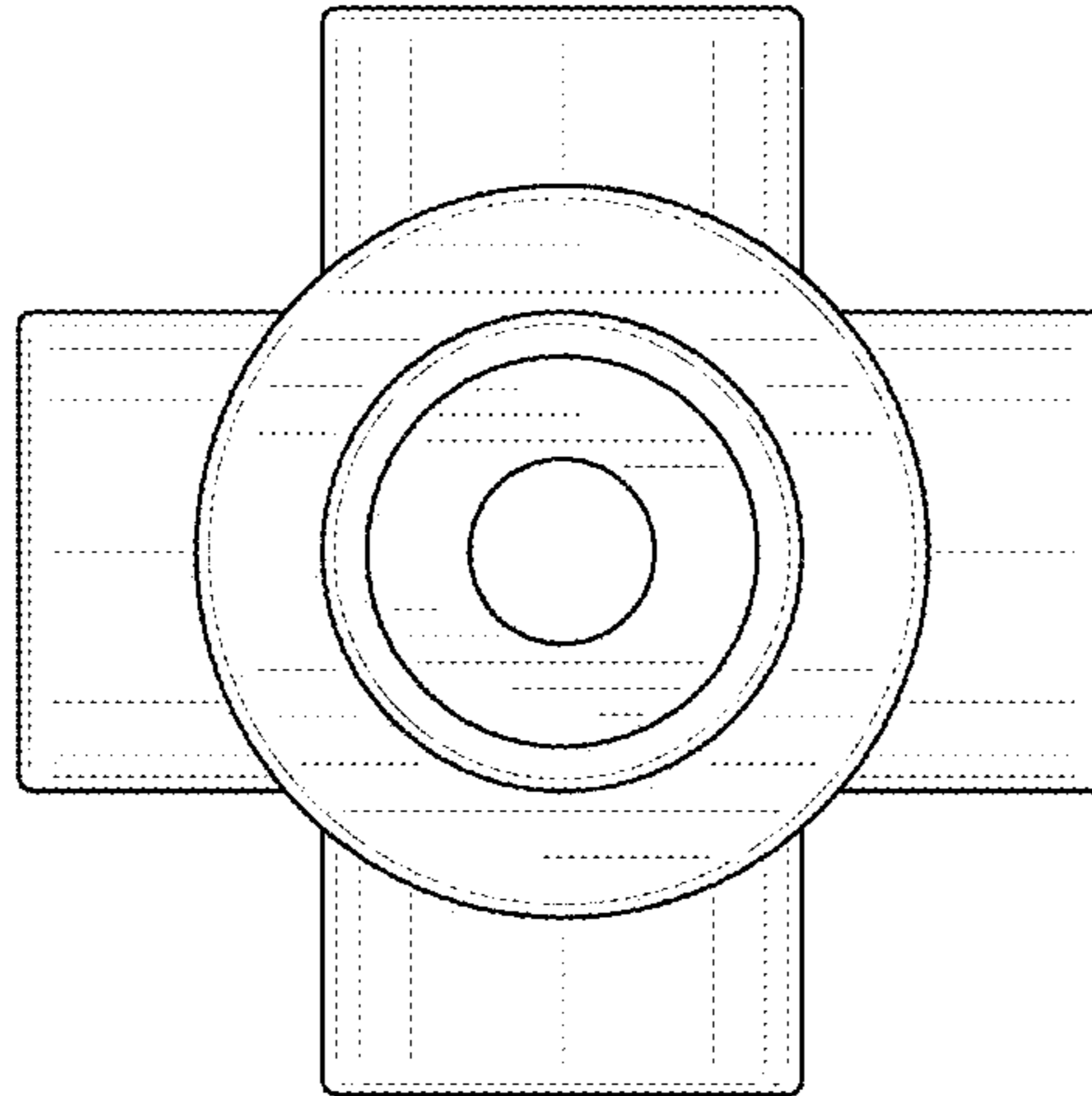


FIG. 41

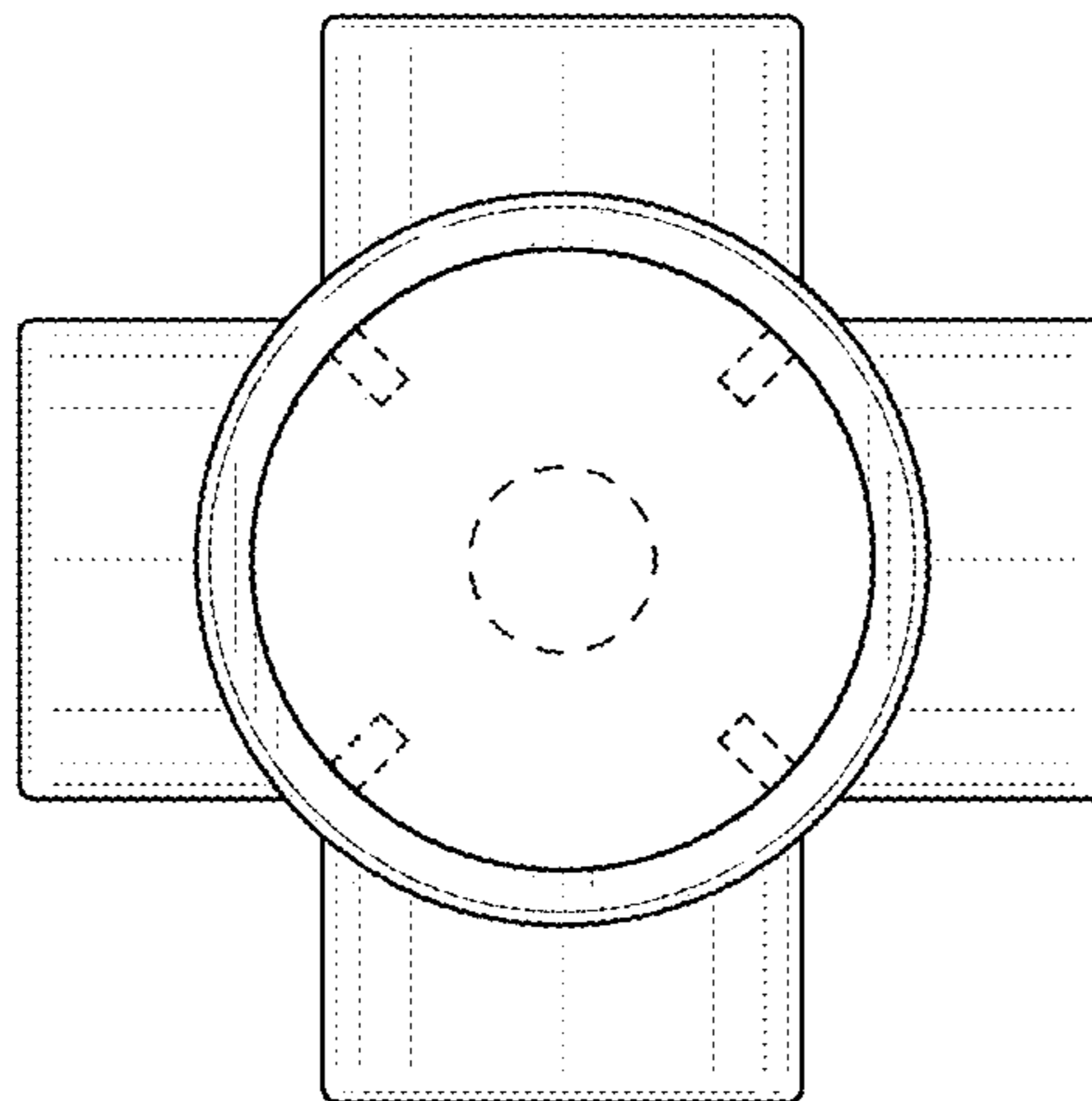


FIG. 42