



US00D878482S

(12) **United States Design Patent**
Hama et al.

(10) **Patent No.:** **US D878,482 S**
(45) **Date of Patent:** **** Mar. 17, 2020**

(54) **LAUNCHING APPARATUS FOR SPINNING TOP TOY**

(71) Applicant: **TOMY COMPANY, LTD.**, Tokyo (JP)

(72) Inventors: **Hiroyuki Hama**, Tokyo (JP); **Douglas Arthur Schultheis**, Cumberland, RI (US); **Luke Christopher Lohan**, Abington, MA (US); **Michelino Paolino, Jr.**, Rumford, RI (US); **Thomas Maguire**, Warwick, RI (US)

(73) Assignee: **TOMY COMPANY, LTD.**, Tokyo (JP)

(**) Term: **15 Years**

(21) Appl. No.: **29/667,983**

(22) Filed: **Oct. 26, 2018**

(51) **LOC (12) Cl.** **21-01**

(52) **U.S. Cl.**
USPC **D21/461**

(58) **Field of Classification Search**
USPC D21/454, 455-464, 561, 566, 570;
446/38-45, 236-266, 429, 430, 462, 489
CPC A63H 1/00-06; A63H 1/12; A63H 17/008;
A63H 27/14; A63H 29/00; A63H 29/20;
A63H 29/24; A63H 31/06; A63H 31/08;
A63F 9/16

See application file for complete search history.

(56) **References Cited**

U.S. PATENT DOCUMENTS

1,890,043 A * 12/1932 Murphree A63H 1/04
446/263
D167,482 S * 8/1952 Rosini D21/411
D199,536 S * 11/1964 Salayka D21/461
3,224,142 A * 12/1965 Pawelka A63H 1/02
446/138

3,473,256 A * 10/1969 Tyler A63H 27/14
446/38
D234,618 S * 3/1975 Hedger D21/461
6,743,070 B1 * 6/2004 Lin A63H 1/02
446/15
D610,210 S * 2/2010 Nishimoto D21/461
D610,211 S * 2/2010 Nishimoto D21/461
D639,349 S * 6/2011 Horikoshi D21/461
9,435,820 B1 * 9/2016 Muraki G01P 3/486
D790,635 S * 6/2017 Horikoshi D21/461

(Continued)

FOREIGN PATENT DOCUMENTS

CN 3446375 * 5/2005
CN 3671626 * 7/2007

(Continued)

Primary Examiner — Catherine A Tuttle

(74) *Attorney, Agent, or Firm* — Oliff PLC

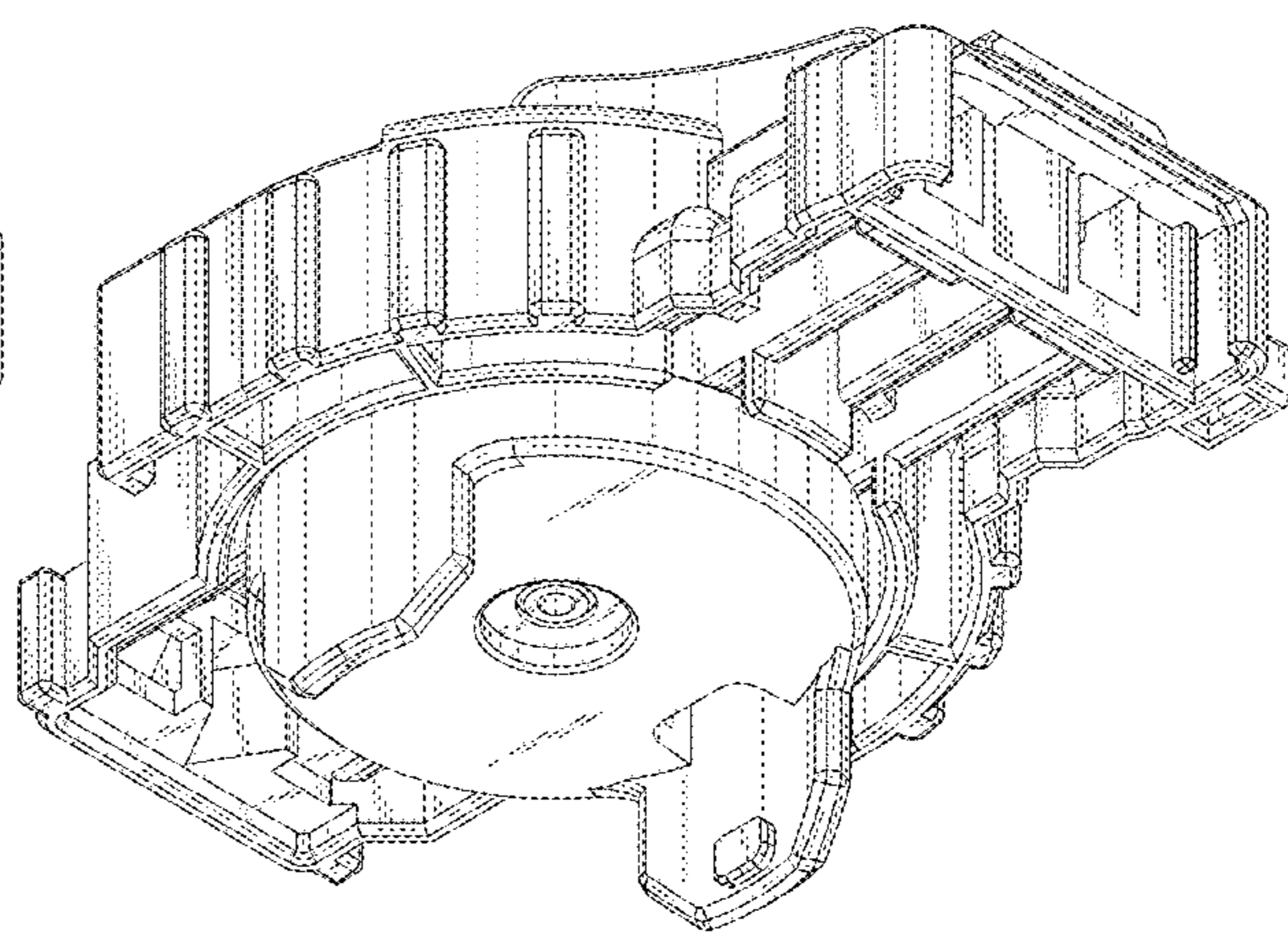
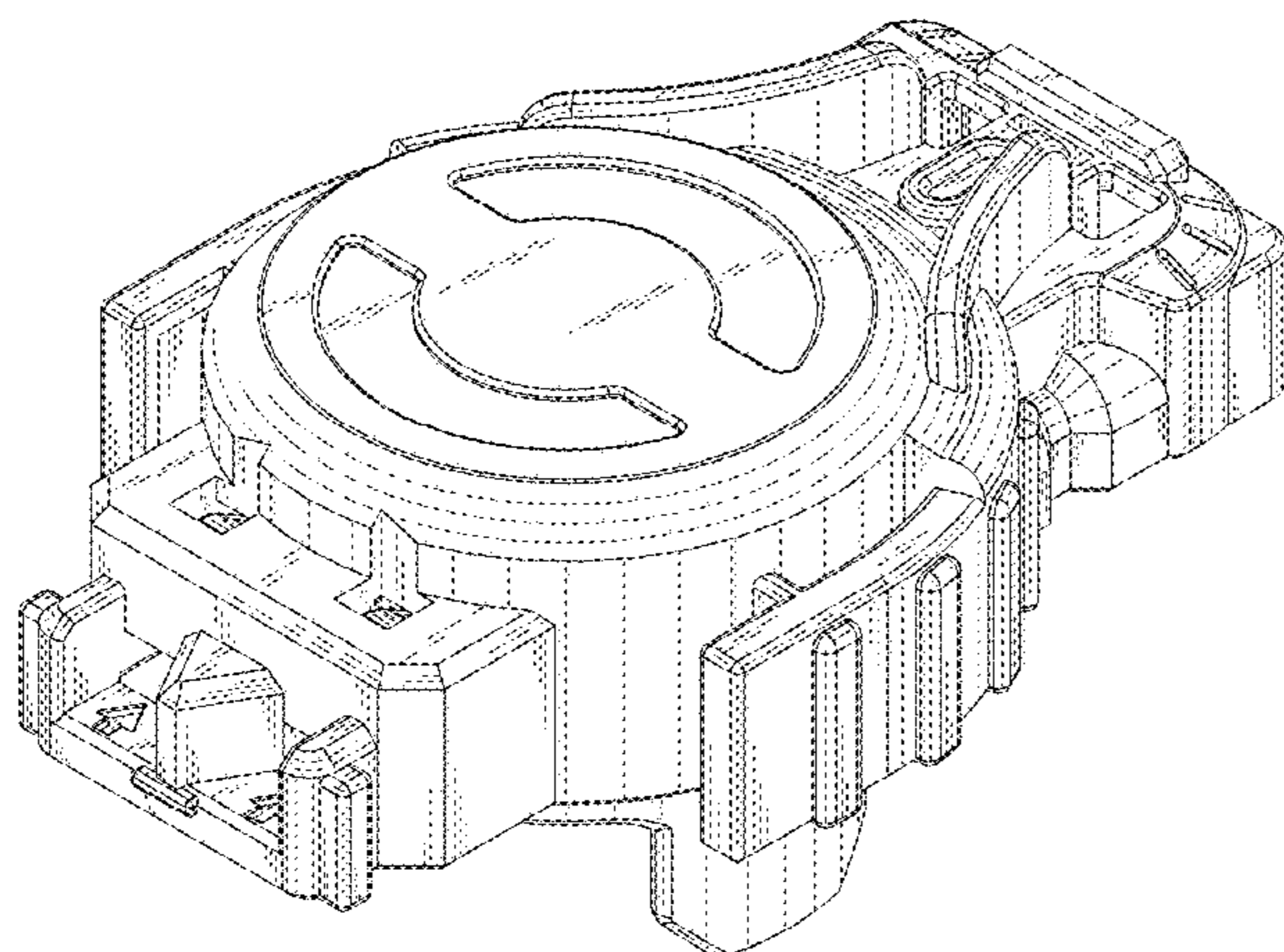
(57) **CLAIM**

The ornamental design for a launching apparatus for spinning top toy, as shown and described.

DESCRIPTION

FIG. 1 is a front elevational view of the launching apparatus for spinning top toy;
FIG. 2 is a left-side elevational view thereof;
FIG. 3 is a rear elevational view thereof;
FIG. 4 is a right-side elevational view thereof;
FIG. 5 is a top plan view thereof;
FIG. 6 is a bottom plan view thereof;
FIG. 7 is a front, left-side, top perspective view thereof;
FIG. 8 is a rear, right-side, top perspective view thereof; and,
FIG. 9 is a rear, left-side, bottom perspective view thereof.
The broken lines depict parts of the launching apparatus that form no part of the claimed design.

1 Claim, 9 Drawing Sheets



(56)

References Cited

U.S. PATENT DOCUMENTS

D825,677 S * 8/2018 Kitamura D21/461
D842,936 S * 3/2019 Shindo D21/461
D852,895 S * 7/2019 Saito D21/461
2011/0256794 A1* 10/2011 Horikoshi A63H 1/04
446/259

FOREIGN PATENT DOCUMENTS

CN 300846725 * 11/2008
CN 303817131 * 8/2016
CN 303960465 * 12/2016
EP 0659456 A2 * 6/1995 A63H 1/02
JP 3164823 U * 12/2010 A63H 1/12

* cited by examiner

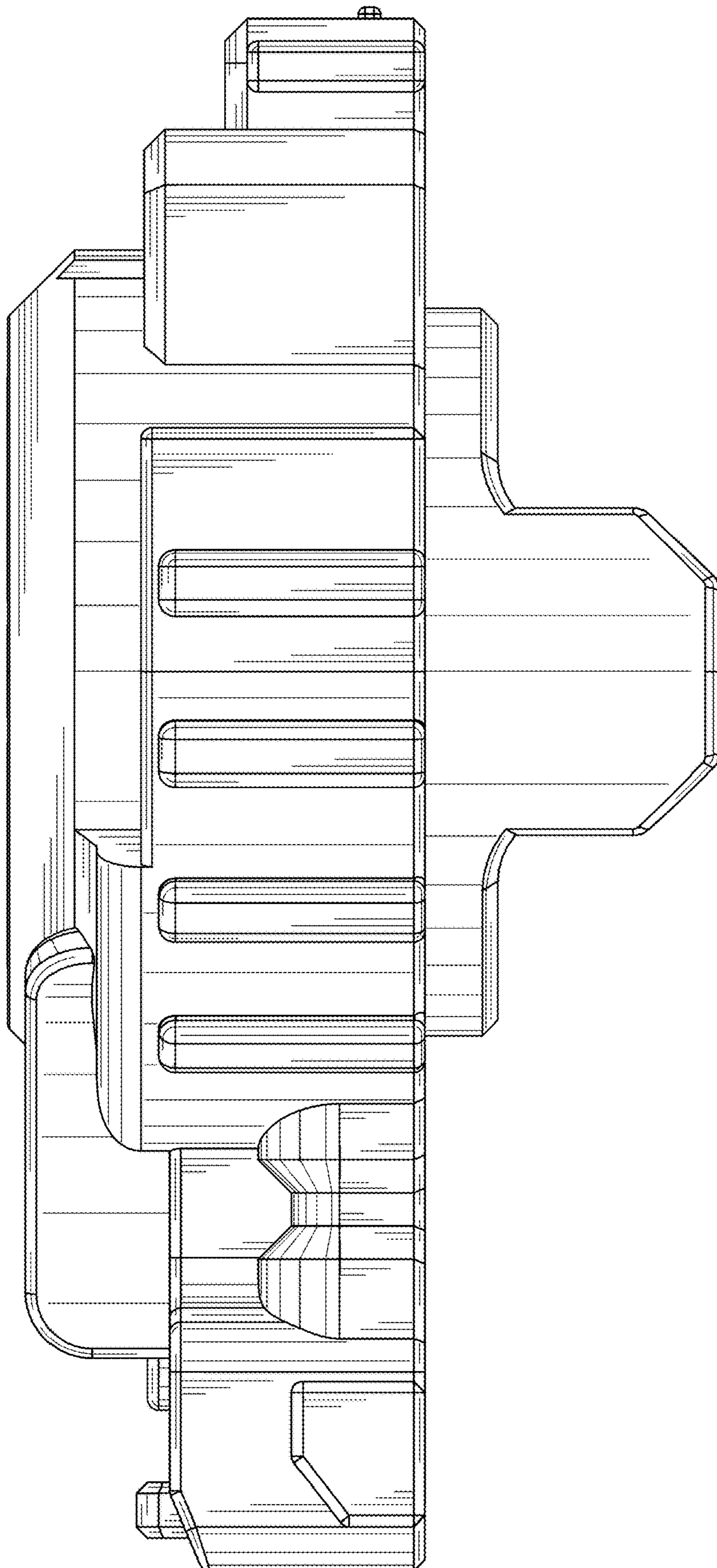


FIG. 1

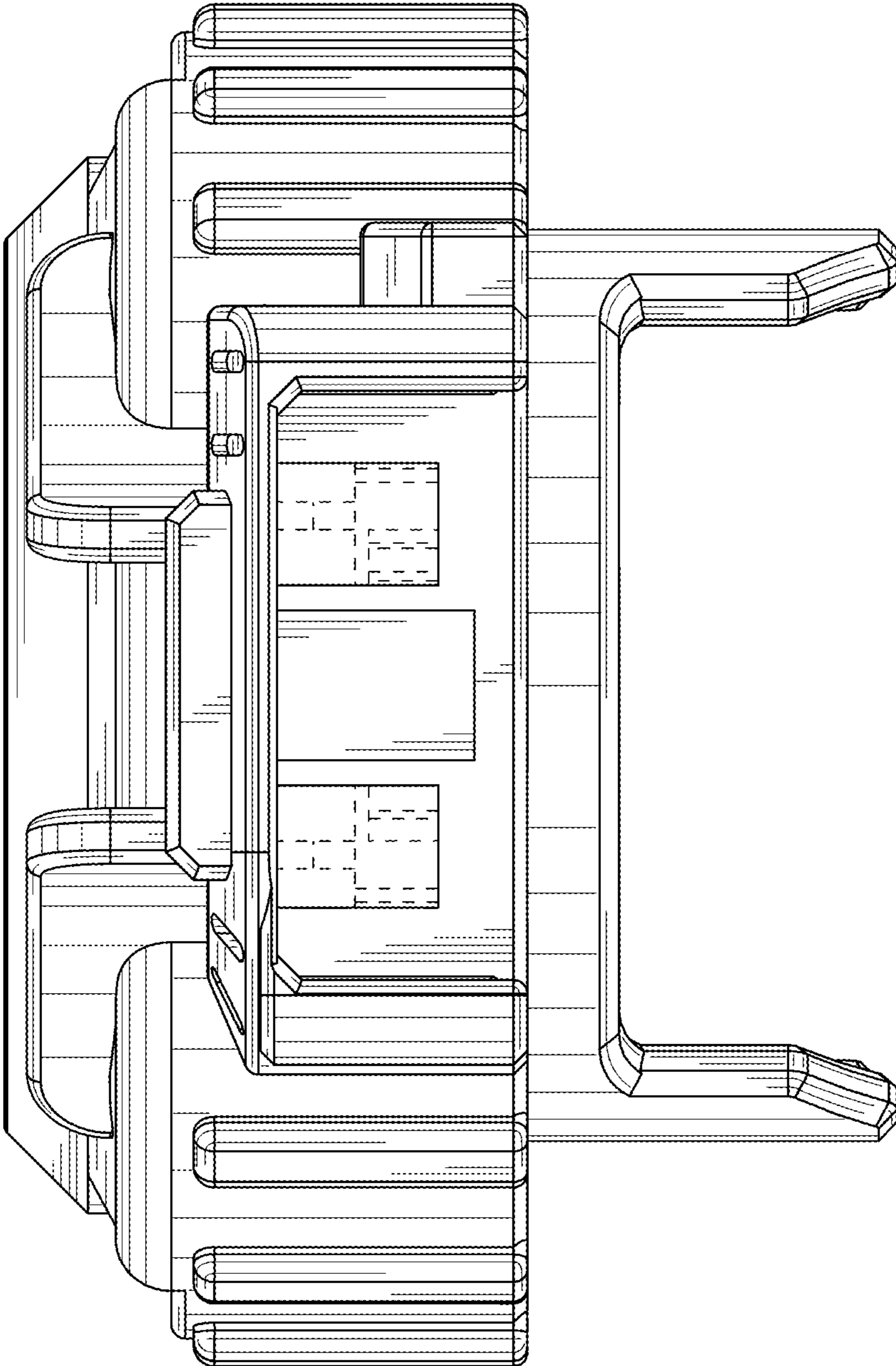


FIG. 2

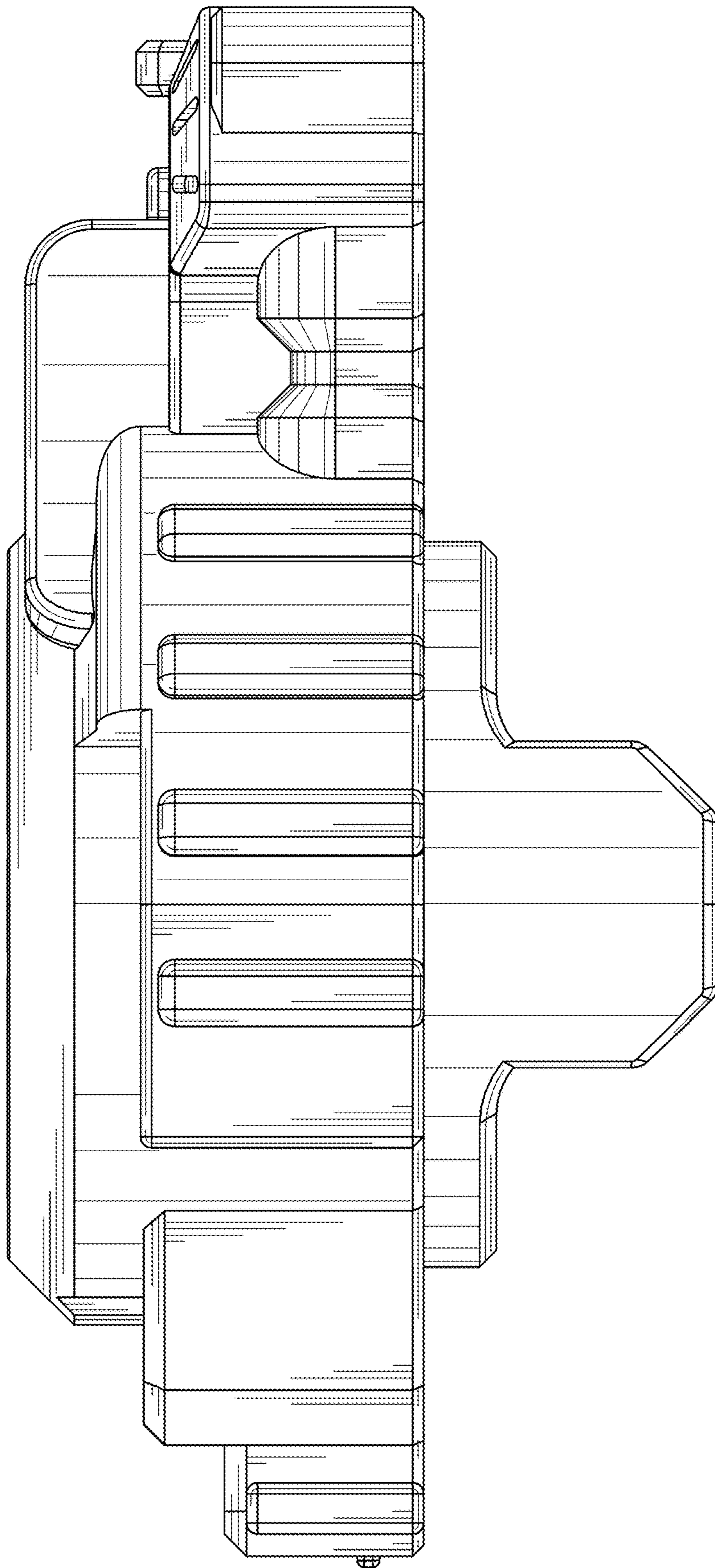


FIG. 3

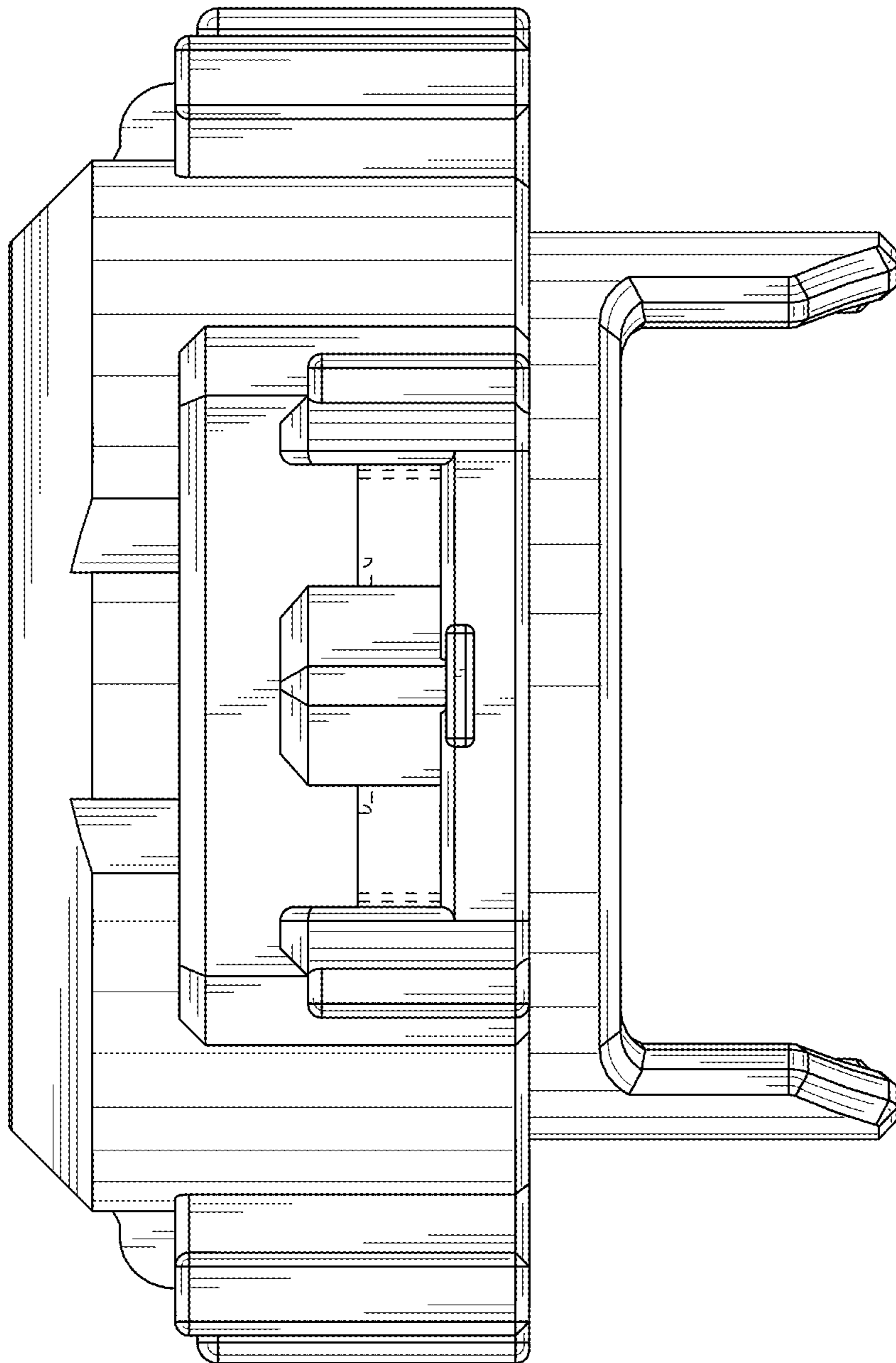


FIG. 4

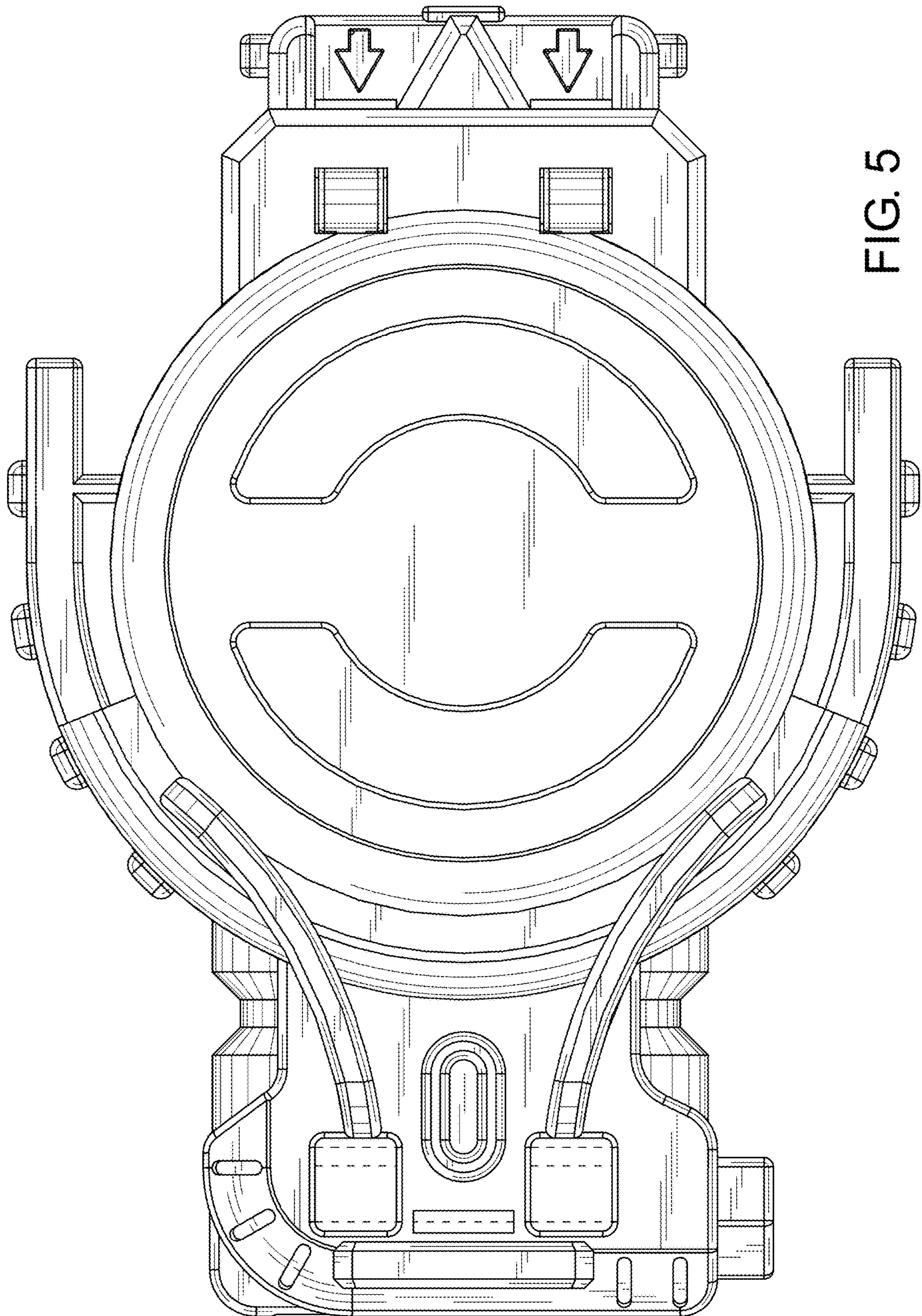


FIG. 5

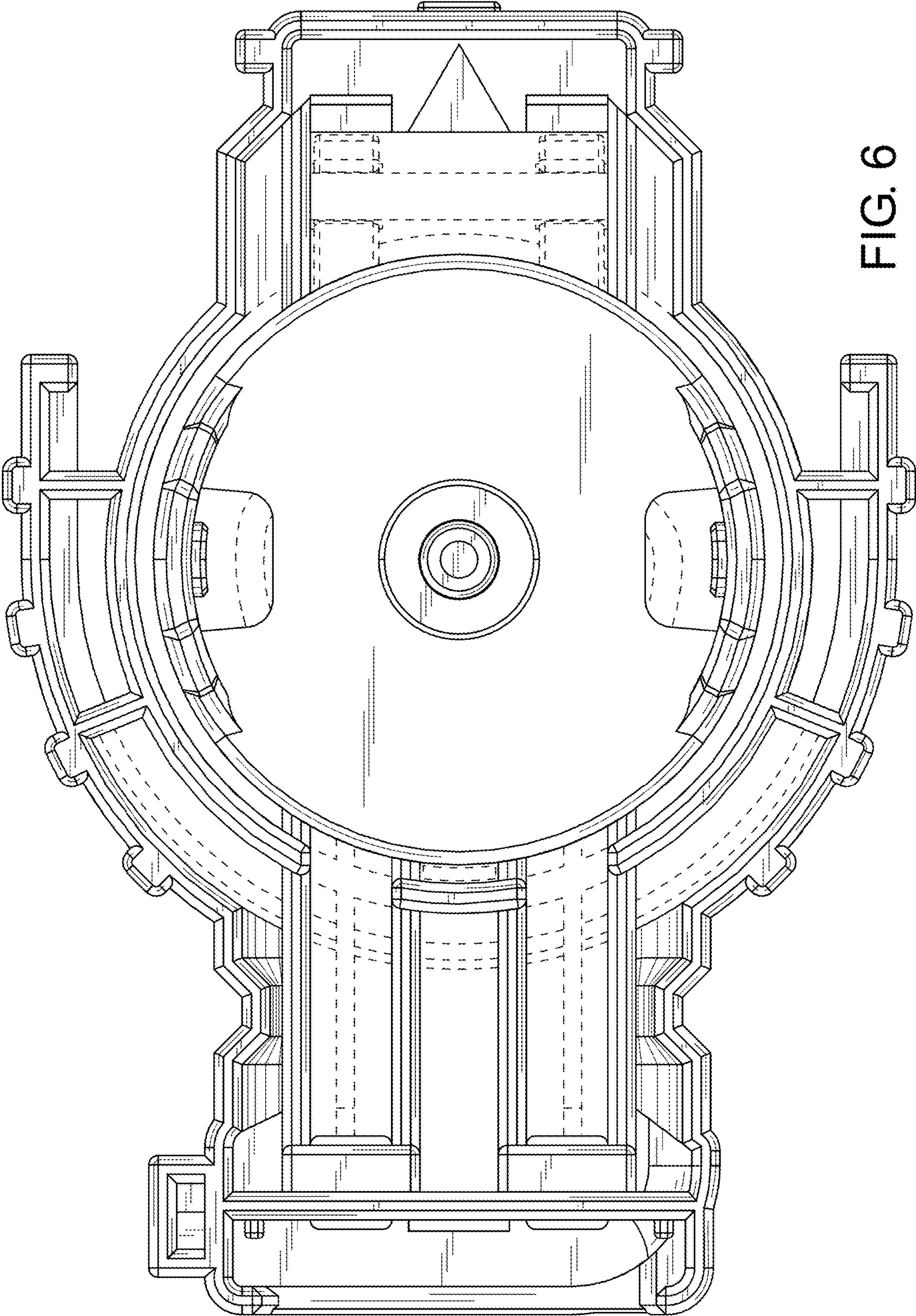


FIG. 6

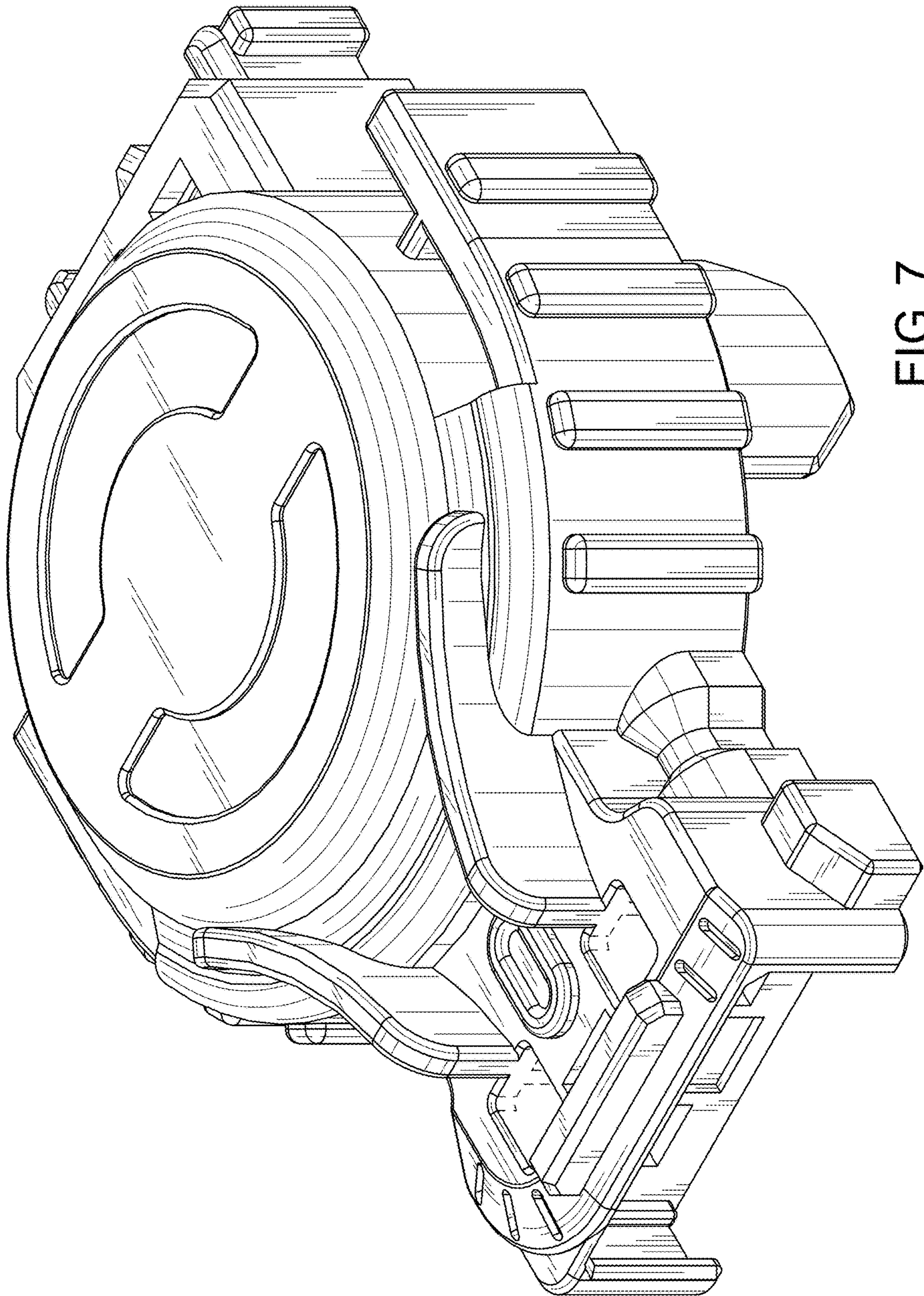


FIG. 7

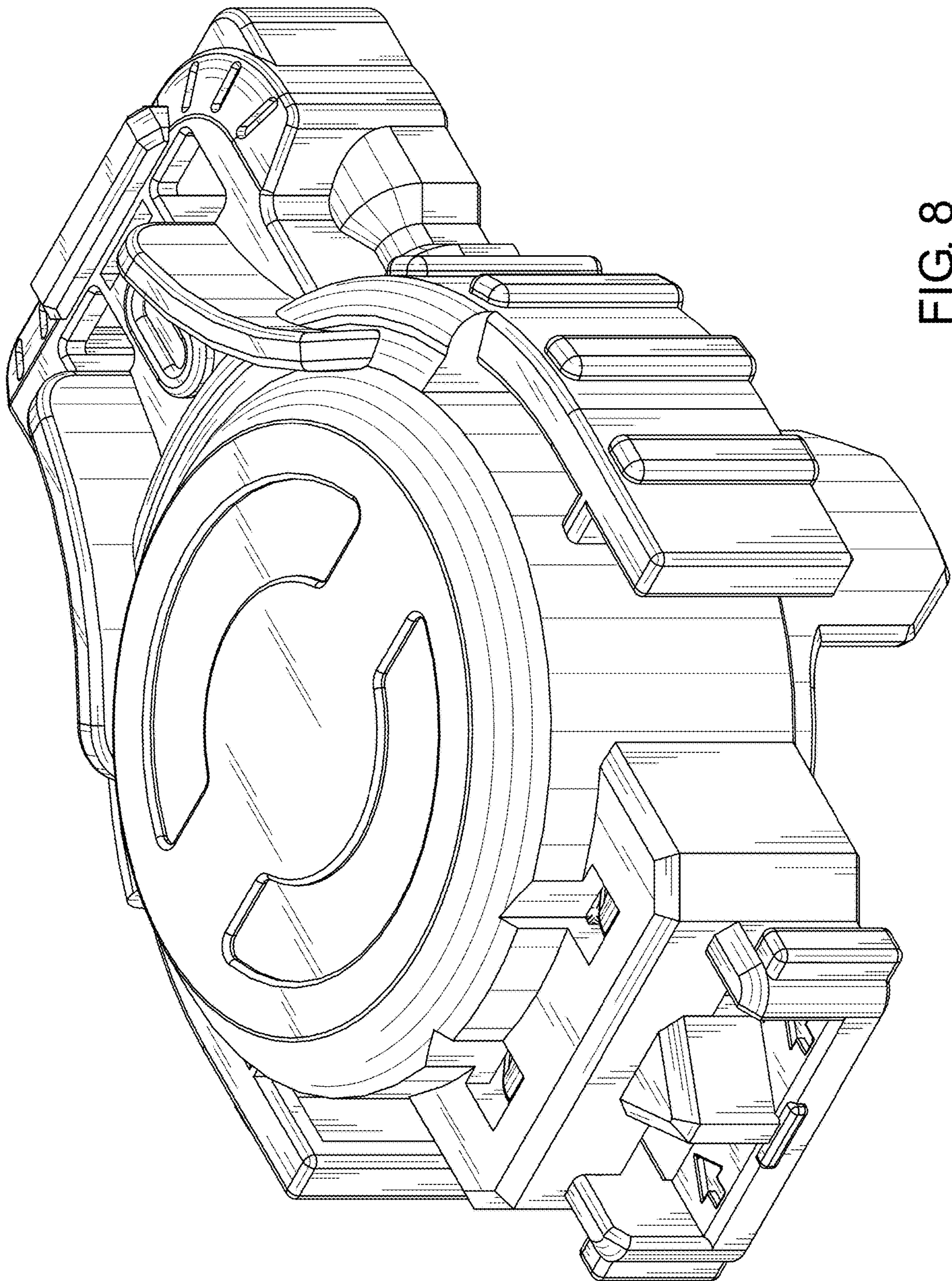


FIG. 8

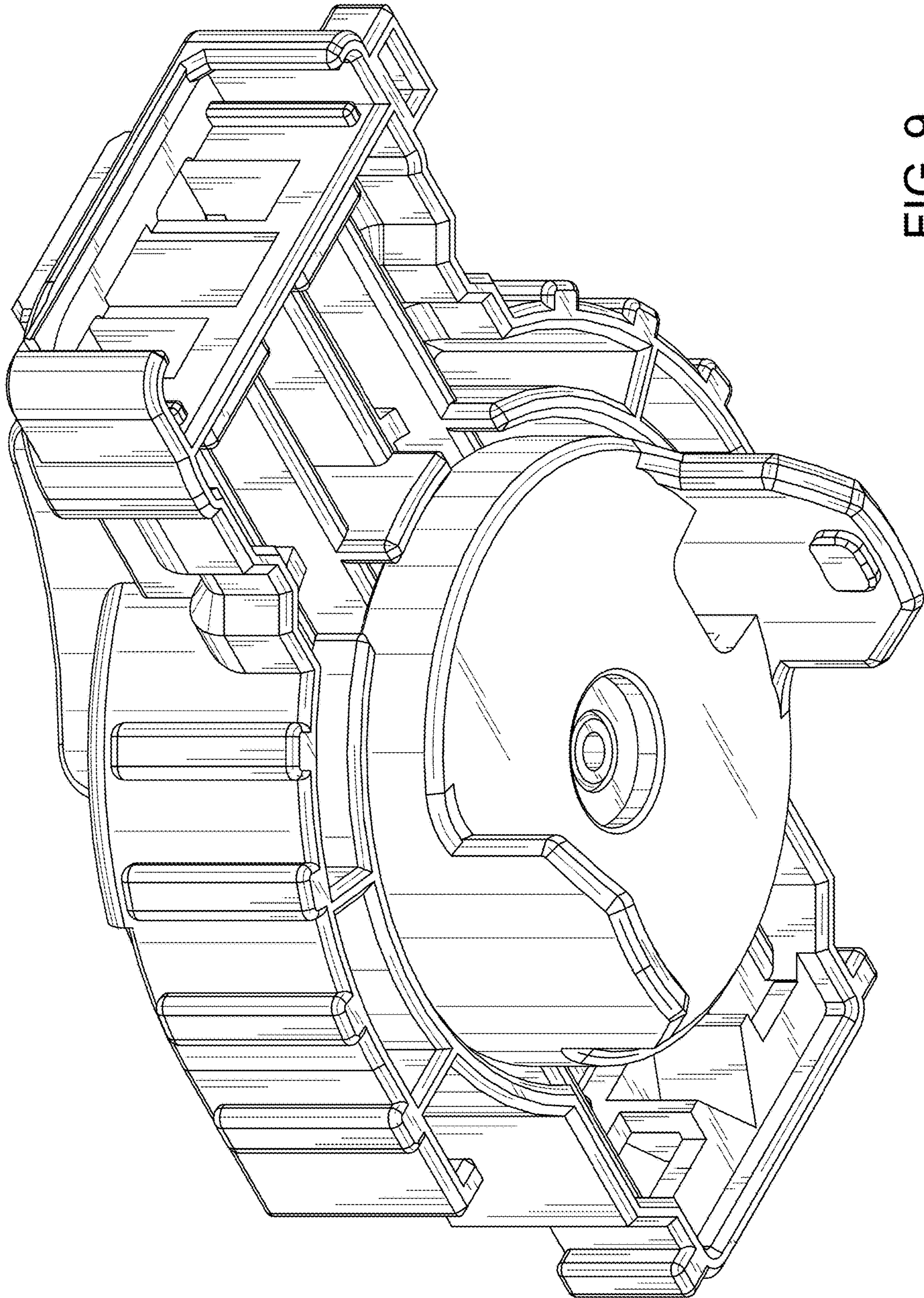


FIG. 9