



US00D878479S

(12) **United States Design Patent**
Poletti et al.

(10) **Patent No.:** **US D878,479 S**
(45) **Date of Patent:** **** Mar. 17, 2020**

(54) **ROCKING TOY**
(71) Applicant: **Williams-Sonoma, Inc.**, San Francisco, CA (US)
(72) Inventors: **Mary Poletti**, Woodside, CA (US); **Amanda Whitley Edwards**, San Francisco, CA (US); **Allison Spampanato**, Fairfax, CA (US)
(73) Assignee: **Williams-Sonoma, Inc.**, San Francisco, CA (US)

1,198,386 A * 9/1916 Walter A63G 13/06
472/102
1,345,322 A * 6/1920 Foans A63G 13/00
280/30
D60,111 S * 12/1921 Sigwalt D21/415
1,688,282 A * 10/1928 Mallard A63G 15/04
280/1
1,817,768 A * 8/1931 Sargent A63G 13/06
472/102
D94,004 S * 12/1934 Sweet D6/338
D139,276 S * 10/1944 Weggel D21/655
D144,980 S * 6/1946 Pelzmann D21/617
D147,518 S * 9/1947 Walker D21/416

(Continued)

(**) Term: **15 Years**

FOREIGN PATENT DOCUMENTS

(21) Appl. No.: **29/666,994**

CN 302111954 * 10/2012
CN 302291107 * 1/2013

(22) Filed: **Oct. 17, 2018**

(Continued)

(51) **LOC (12) Cl.** **21-01**

(52) **U.S. Cl.**
USPC **D21/412; D21/414**

Primary Examiner — Catherine A Tuttle
(74) *Attorney, Agent, or Firm* — Cook Alex Ltd.; R. Blake Johnston

(58) **Field of Classification Search**
USPC D21/412, 414–419, 424, 427, 428, 519, D21/522, 576–661, 814–833; D6/335, D6/340, 344, 345, 348, 351, 354, 358, D6/359, 371, 388, 674.1, 688.24; 446/29, 446/71–73, 227, 396; 472/95, 96–100, 472/101, 102–105, 106, 107, 108, 110, 472/114, 135; 297/181, 258.1, 271.1, 297/271.5, 271.6, DIG. 7
CPC A47D 13/10; A47D 13/102; A47C 3/029; A63B 22/16; A63B 22/18; A63G 9/10; A63G 11/00; A63G 13/00; A63G 13/06; A63G 19/00; A63G 23/00; A63H 13/18
See application file for complete search history.

(57) **CLAIM**

The ornamental design for a rocking toy, as shown and described.

DESCRIPTION

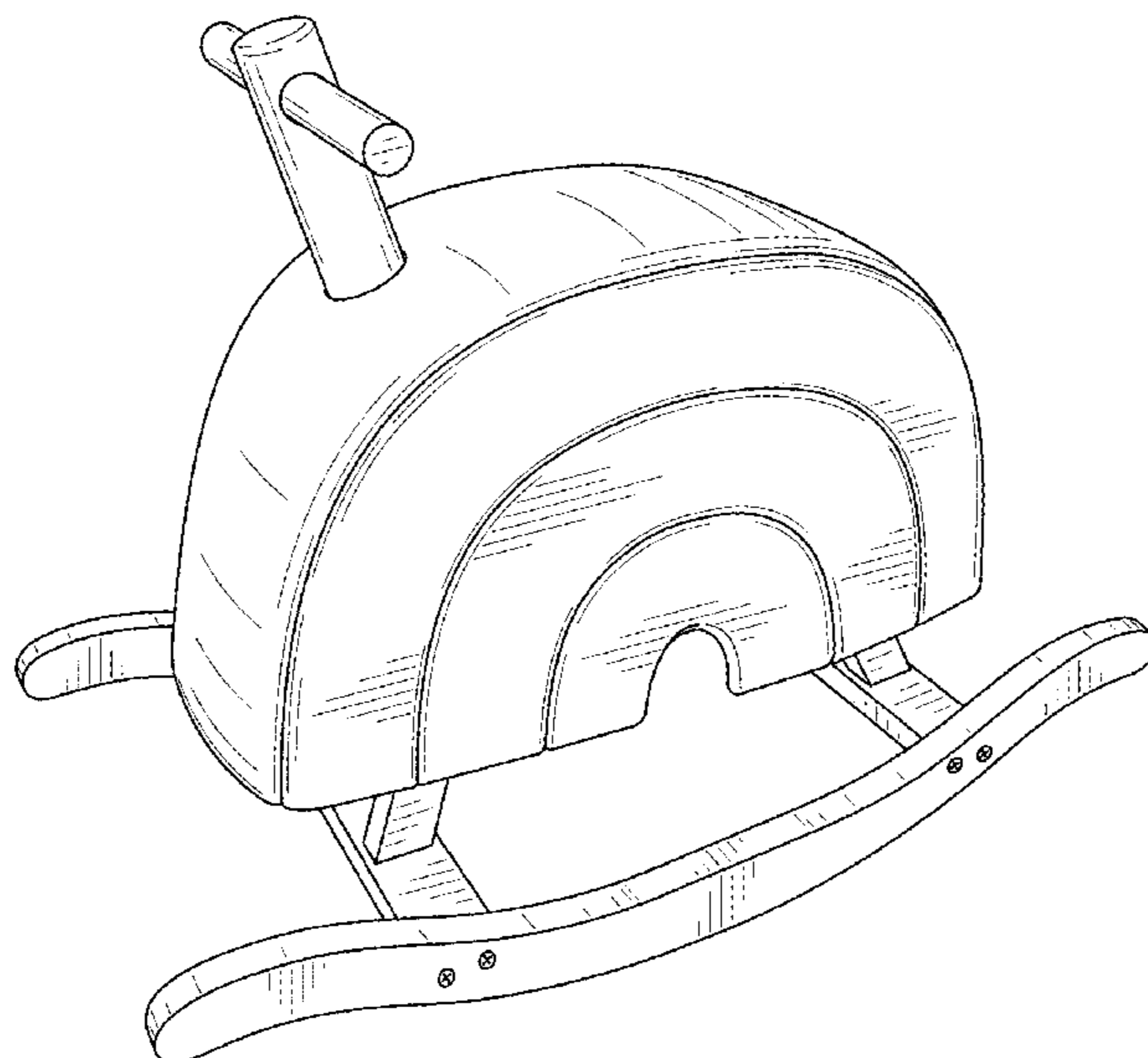
FIG. 1 is a front, side and top perspective view of the rocking toy showing our new design;
FIG. 2 is a front elevational view thereof;
FIG. 3 is a rear elevational view thereof;
FIG. 4 is a left side elevational view thereof;
FIG. 5 is a right side elevational view thereof;
FIG. 6 is a top plan view thereof;
FIG. 7 is a bottom plan view thereof; and,
FIG. 8 is a rear, side and top perspective view thereof.
The broken lines in FIG. 7 depict portions of the bottom surface that form no part of the claimed design.

(56) **References Cited**

U.S. PATENT DOCUMENTS

246,458 A * 8/1881 Chandler A63G 11/00
472/114
D25,579 S * 6/1896 Thomass D21/412

1 Claim, 5 Drawing Sheets



(56)

References Cited

U.S. PATENT DOCUMENTS

| | | | | | | |
|-----------|---|---|---------|-----------------|-------|----------------------|
| D166,776 | S | * | 5/1952 | Stanley | | D21/417 |
| D171,458 | S | * | 2/1954 | Peltier | | D6/347 |
| D176,115 | S | * | 11/1955 | Hall | | D21/416 |
| D254,498 | S | * | 3/1980 | Chich | | D21/417 |
| D269,566 | S | * | 7/1983 | Sexton | | D6/348 |
| 4,643,922 | A | * | 2/1987 | Fujiwara | | A63H 13/18 428/16 |
| D310,852 | S | * | 9/1990 | Freiberger, Jr. | | D21/415 |
| D332,532 | S | * | 1/1993 | Combs | | D6/385 |
| D352,074 | S | * | 11/1994 | Bunn, Jr. | | D21/428 |
| D520,572 | S | * | 5/2006 | Balough | | D21/415 |
| D558,838 | S | * | 1/2008 | Boutin | | D21/592 |

FOREIGN PATENT DOCUMENTS

| | | | | | |
|----|----------------|----|---------|-------|-------------|
| CN | 302631854 | * | 11/2013 | | |
| CN | 303051025 | * | 12/2014 | | |
| CN | 303249239 | * | 6/2015 | | |
| CN | 303359400 | * | 9/2015 | | |
| DE | 2156778 | A1 | 4/1973 | | A47C 4/022 |
| DE | 202018005018 | U1 | 11/2018 | | A47D 13/102 |
| EM | 001304463-0001 | * | 12/2011 | | |
| GB | 1326711 | A | 8/1973 | | A63G 13/02 |
| IL | 27000 | * | 11/1998 | | |

* cited by examiner

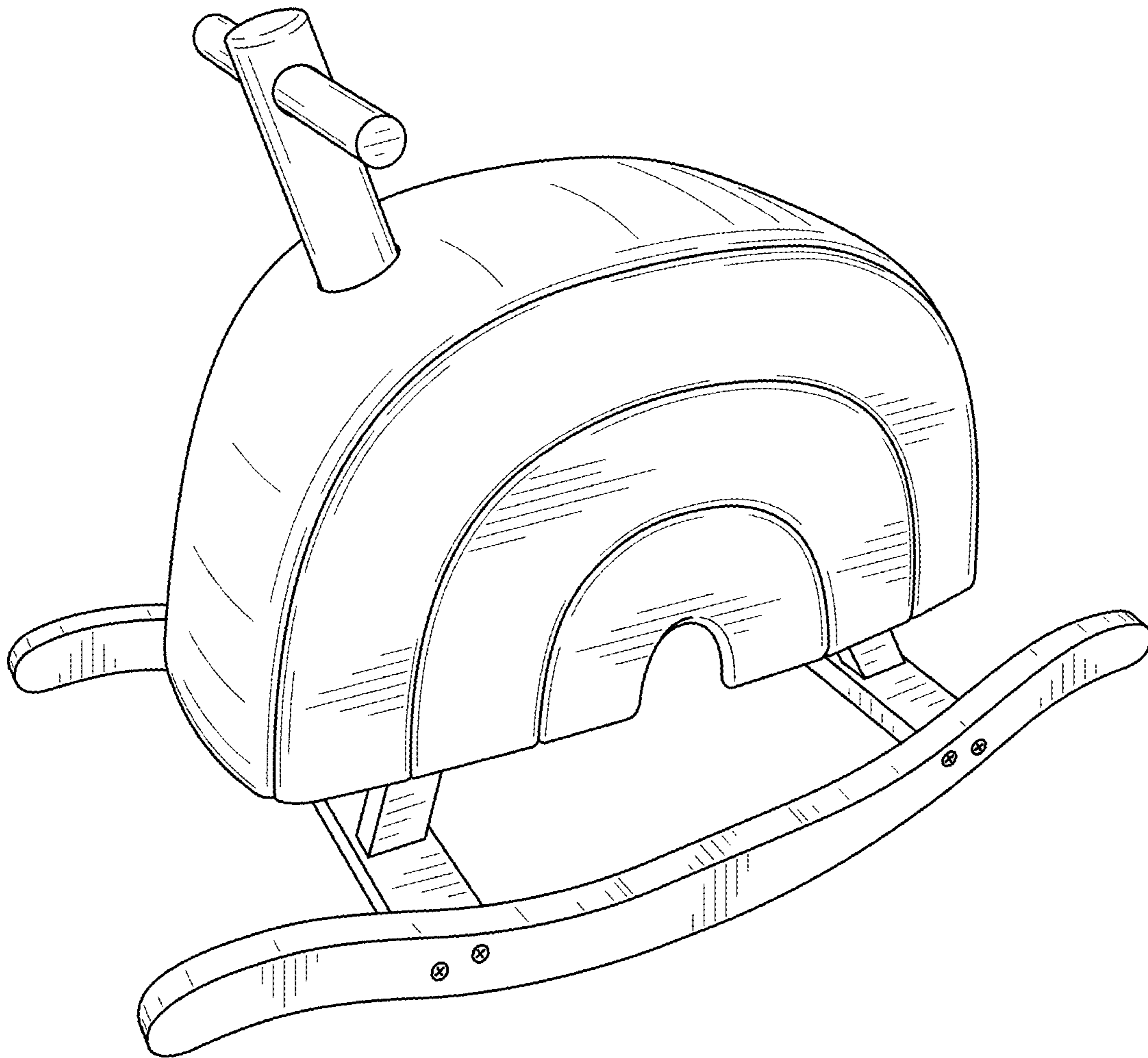


FIG. 1

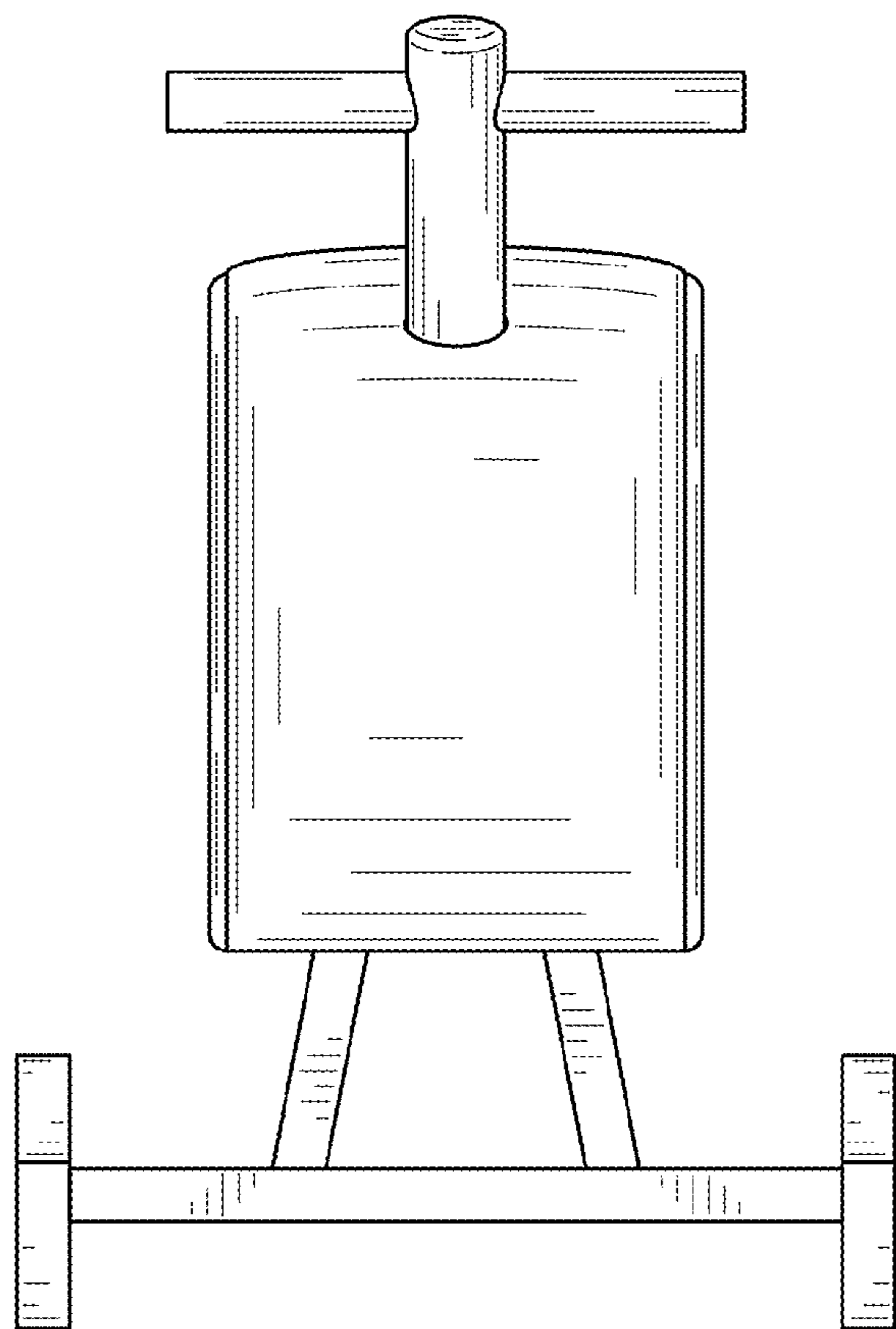


FIG. 2

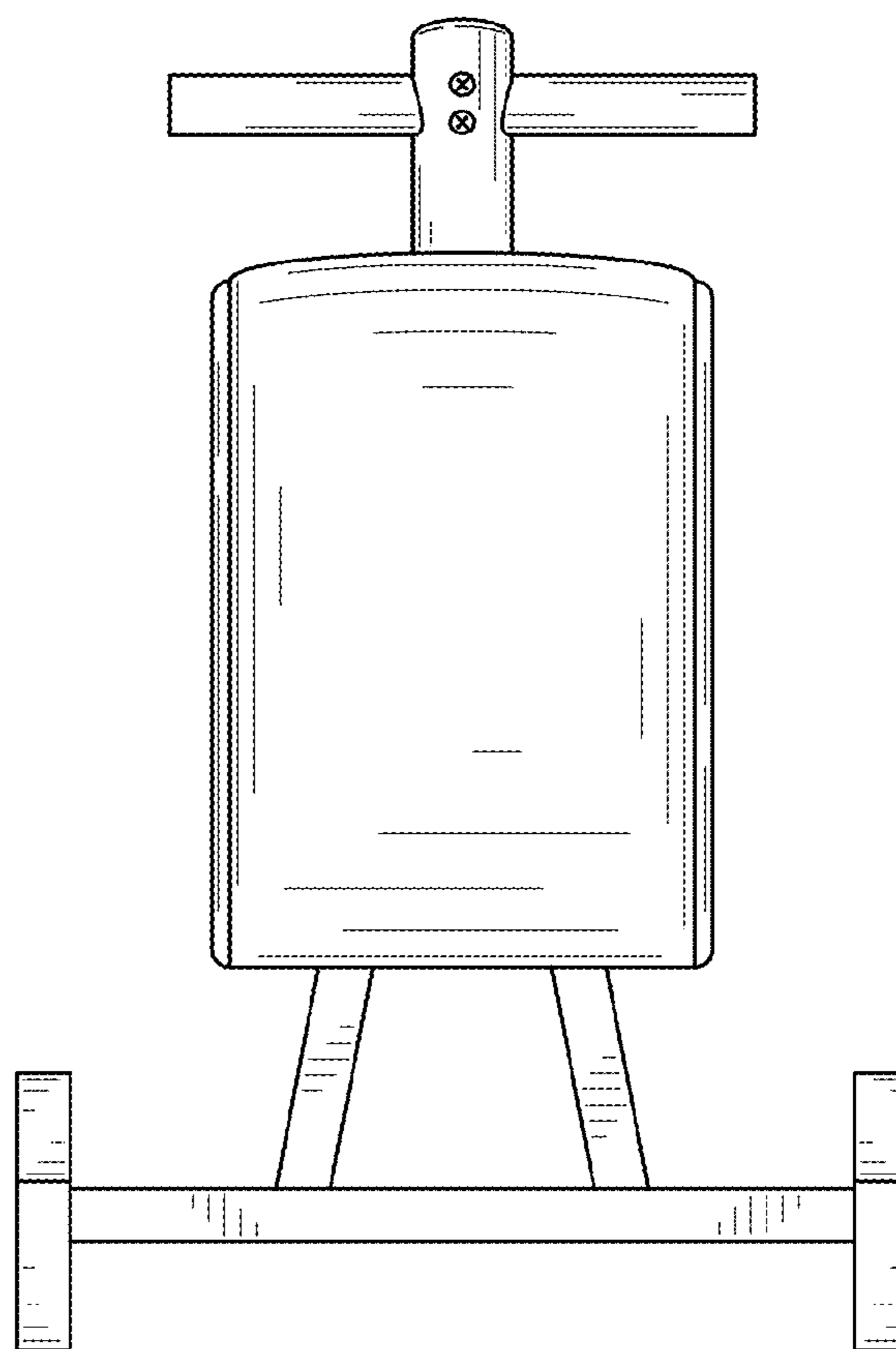


FIG. 3

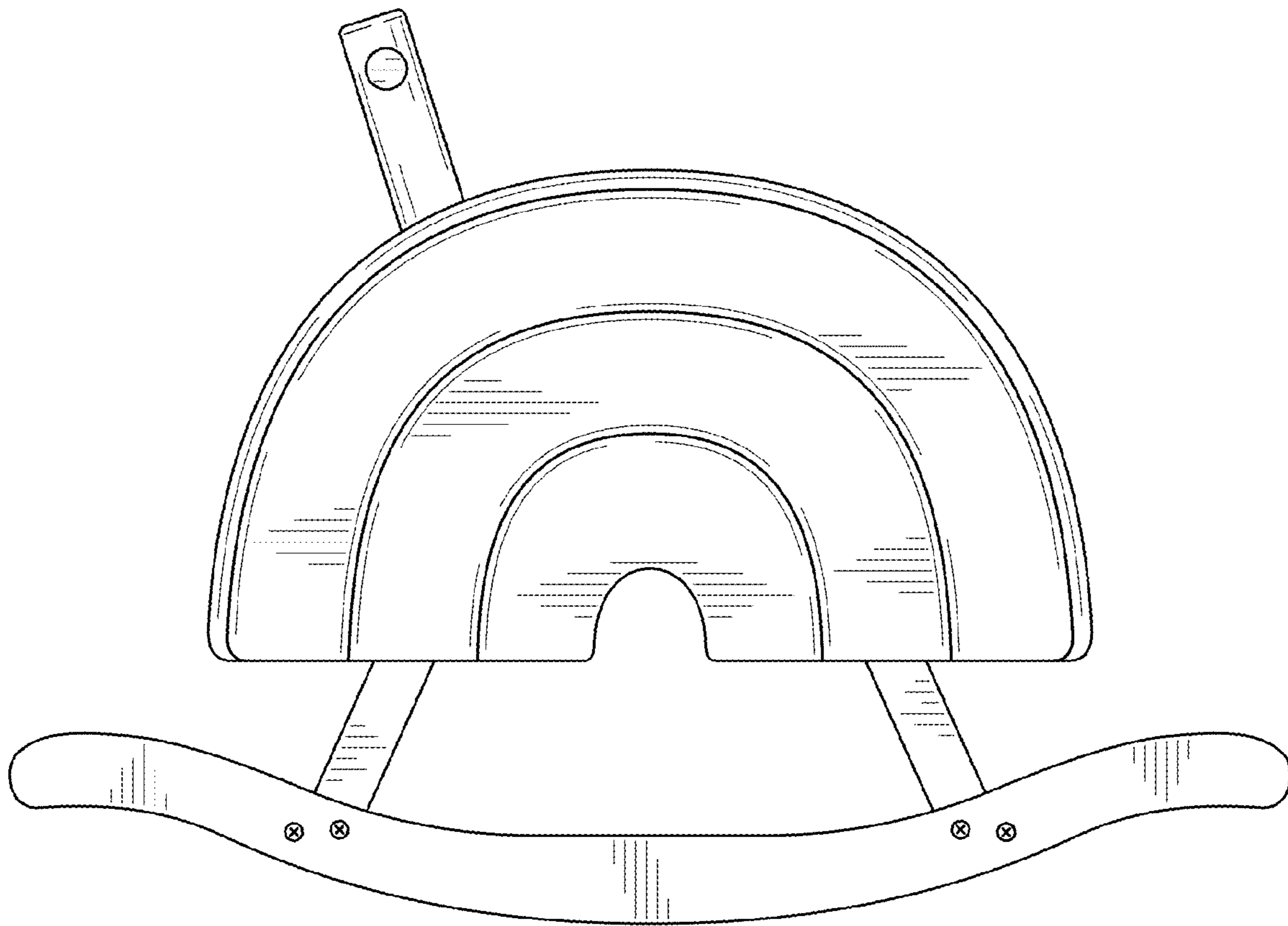


FIG. 4

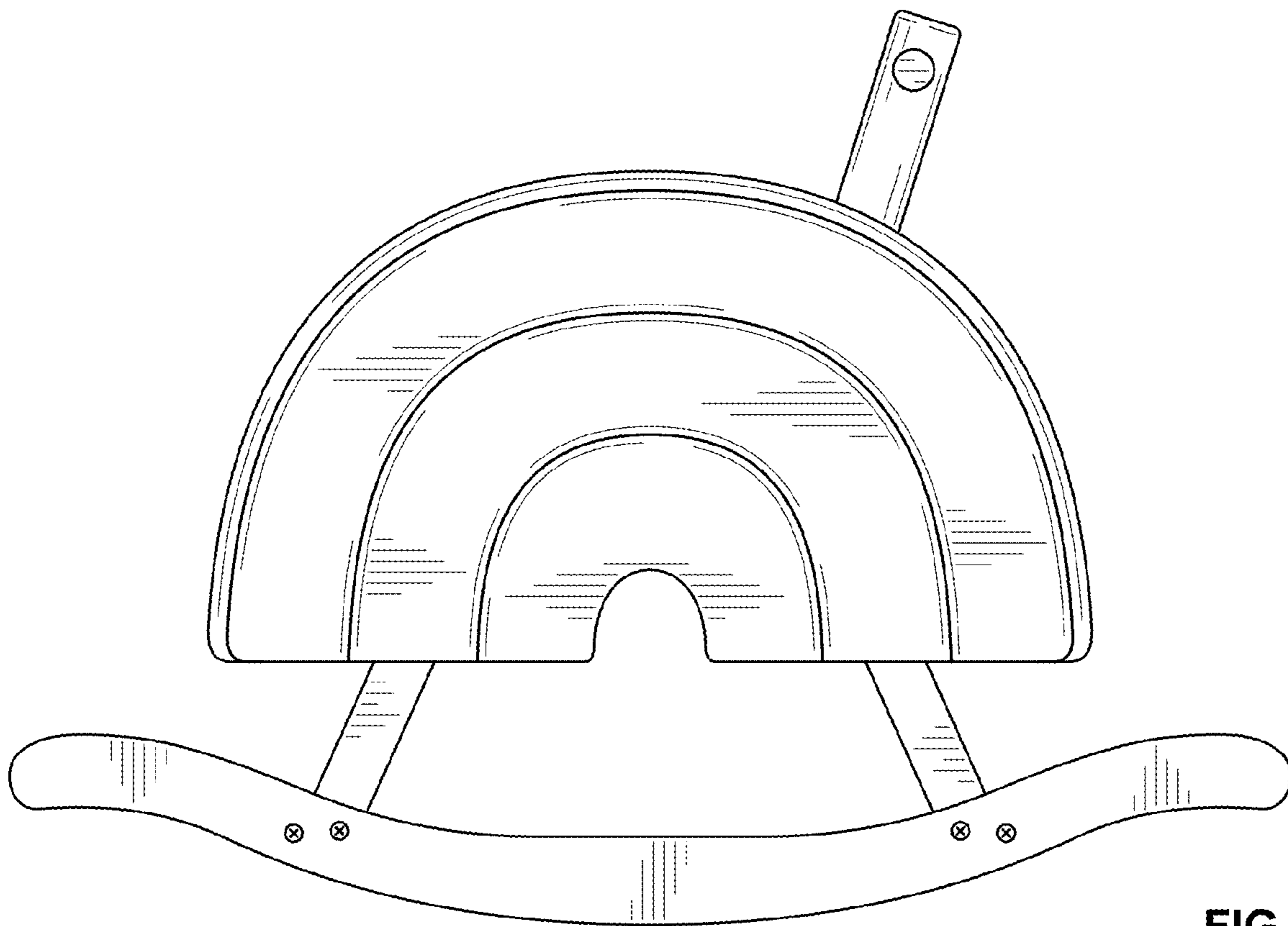


FIG. 5

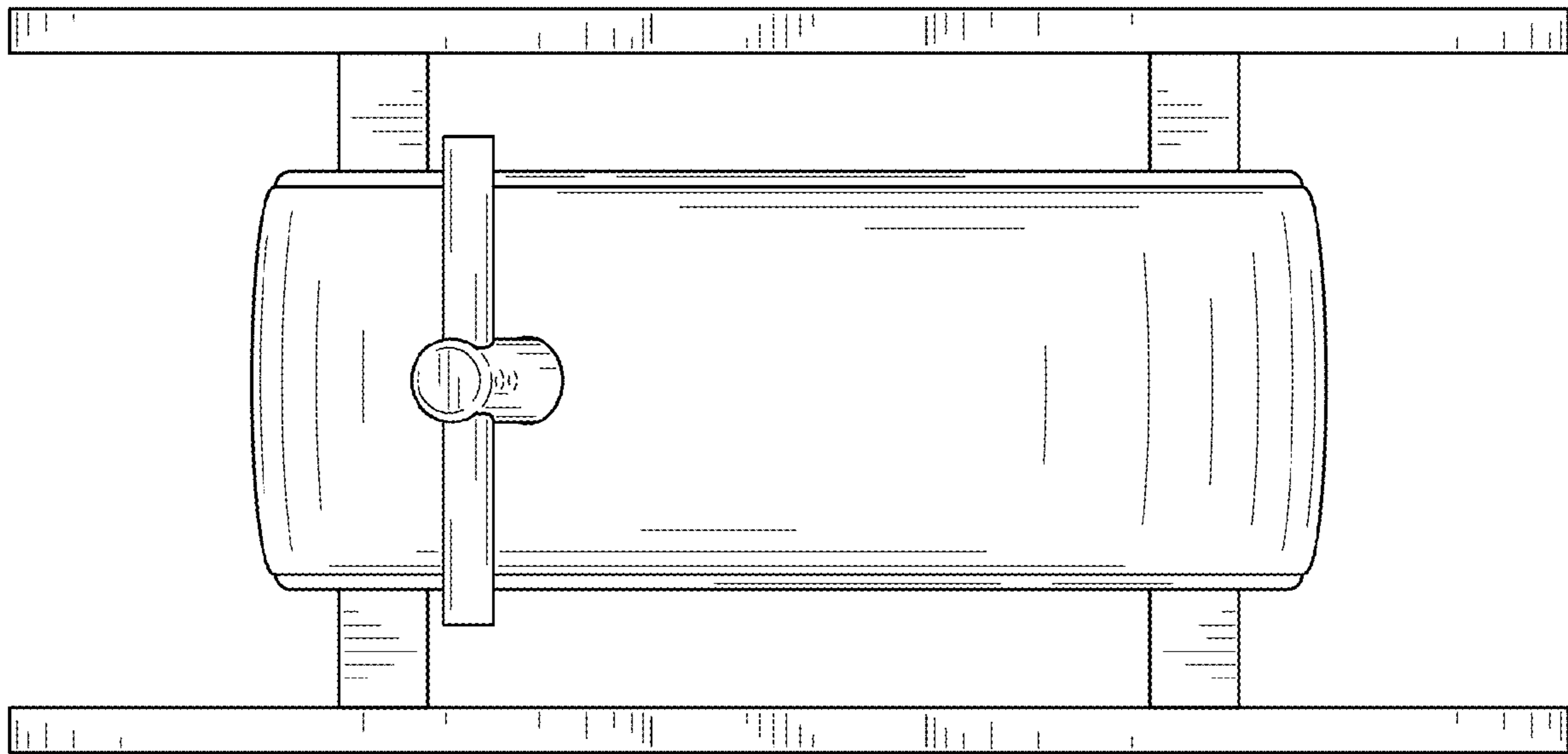


FIG. 6

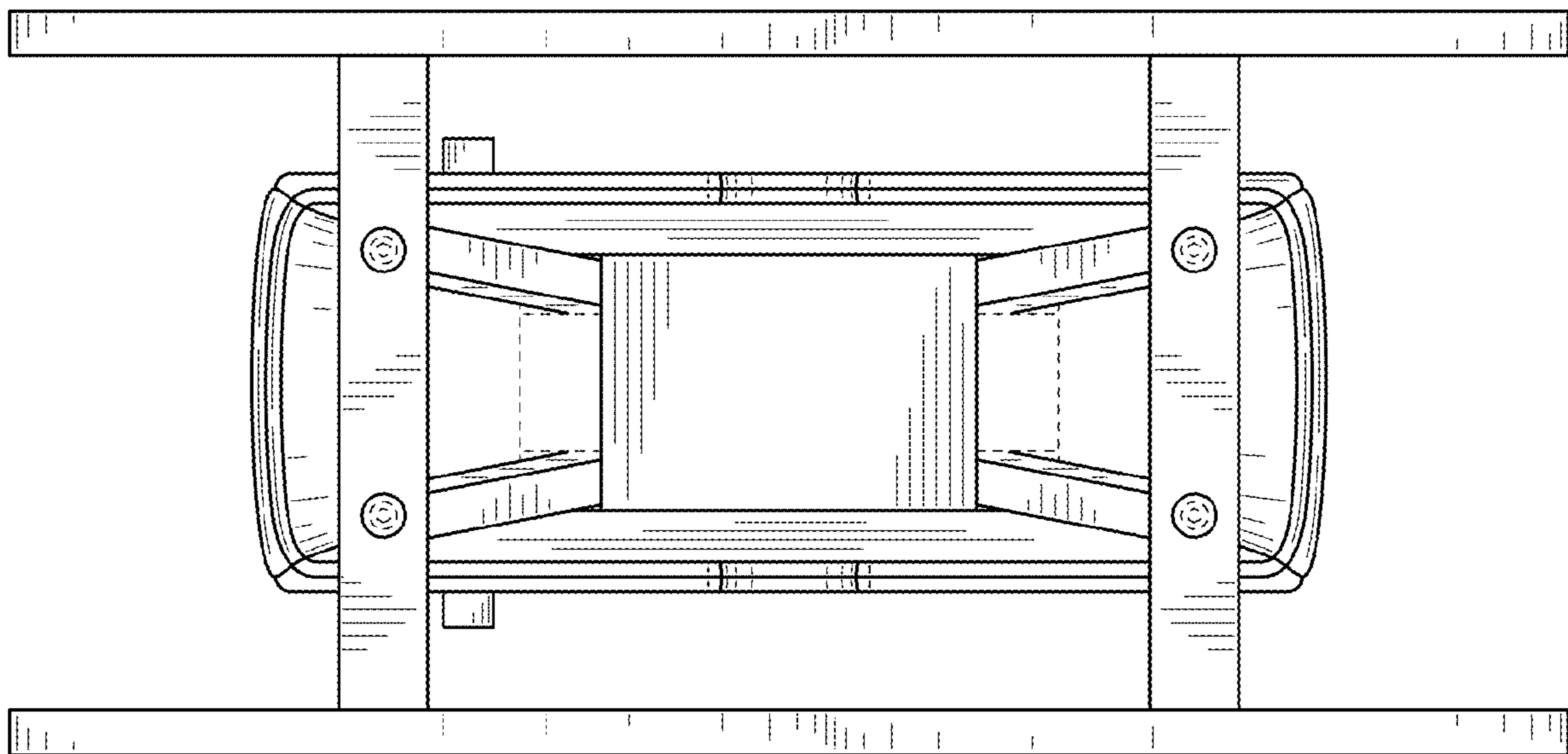


FIG. 7

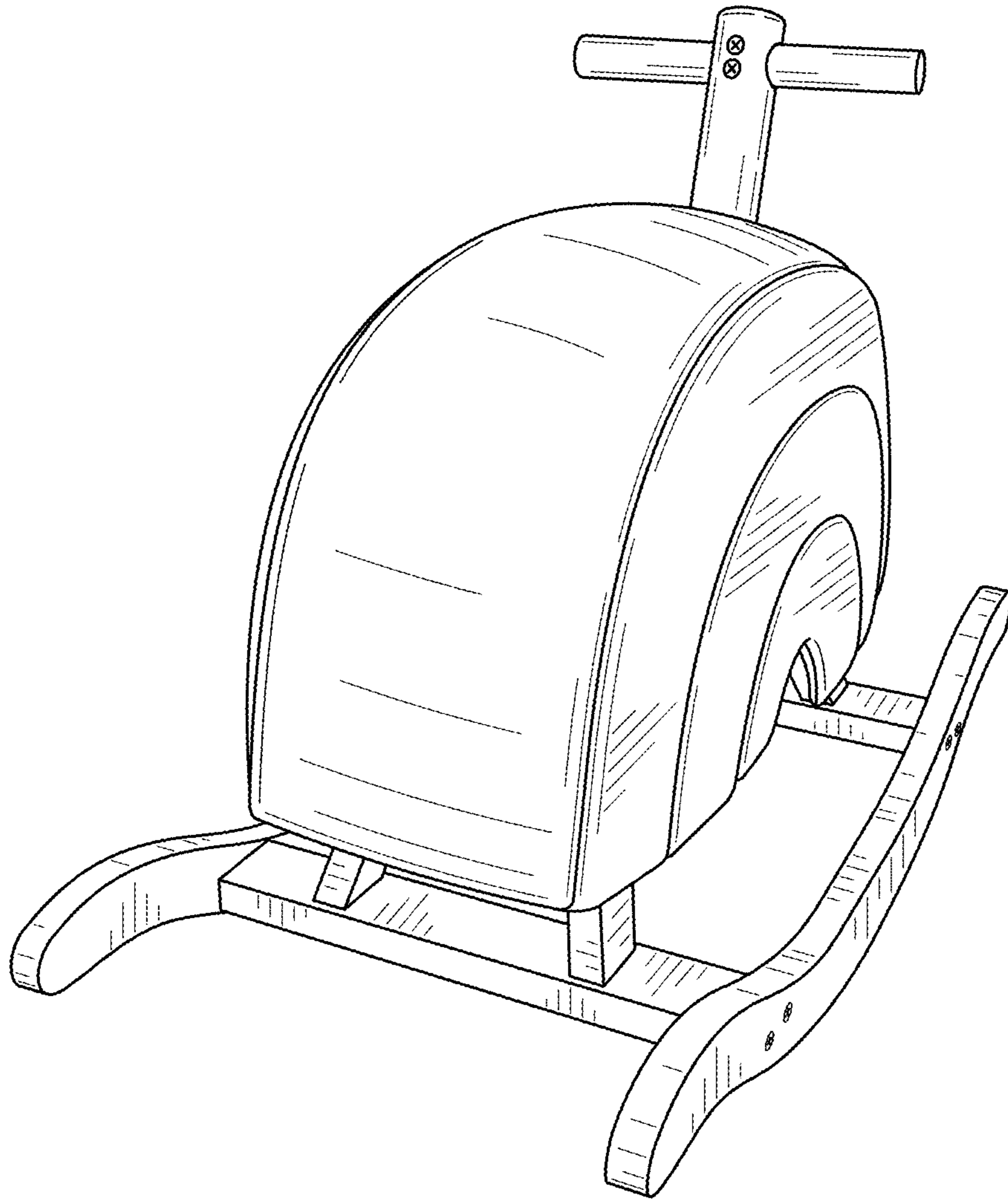


FIG. 8