



US00D878477S

(12) **United States Design Patent** (10) **Patent No.:** **US D878,477 S**
Bernard et al. (45) **Date of Patent:** **** Mar. 17, 2020**

(54) **GAMING MACHINE**
(71) Applicant: **BALLY GAMING, INC.**, Las Vegas, NV (US)
(72) Inventors: **Vernon Bernard**, Las Vegas, NV (US); **Karl Wudtke**, Las Vegas, NV (US)
(73) Assignee: **SG GAMING, INC.**, Las Vegas, NV (US)

4,373,725 A 2/1983 Ritchie
D275,772 S 10/1984 Akopian et al.
D280,835 S 10/1985 Berge et al.
D280,836 S 10/1985 Ludzia et al.
4,606,545 A 8/1986 Ritchie
4,705,274 A 11/1987 Lubeck

(Continued)

FOREIGN PATENT DOCUMENTS

EP 649 671 A1 4/1995
JP 03210172 B2 9/2001

(Continued)

(**) Term: **15 Years**
(21) Appl. No.: **29/655,305**

OTHER PUBLICATIONS

Product Sheet for "American Eagle," Eagle Co. Ltd., 1997 (2 pages).

(Continued)

(22) Filed: **Jul. 2, 2018**
(51) **LOC (12) Cl.** **21-03**
(52) **U.S. Cl.**
USPC **D21/369**
(58) **Field of Classification Search**
USPC D21/369, 370, 371, 385, 329, 325, 394;
D14/307, 172, 129, 325, 401, 371, 126,
D14/439, 432, 450, 128, 375, 248, 374,
D14/341, 138 G, 127; 463/28, 13, 11,
463/16, 20, 25, 31, 46, 23, 30, 17, 36, 29,
463/42, 34, 32, 35, 19, 21, 22; 273/292,
273/203, 138.2, 143 R, 142 R, 138.1;
D19/60; D16/226; D8/335, 331, 334;
D26/141; D7/641
CPC G07F 17/32; G07F 17/34; G07F 17/3211;
G07F 17/3244; G07F 17/3267
See application file for complete search history.

Primary Examiner — Ryan Harvey

(74) *Attorney, Agent, or Firm* — Banner & Witcoff, Ltd.

(57) **CLAIM**

The ornamental design for a gaming machine, as shown and described.

DESCRIPTION

FIG. 1 is a top perspective view of a gaming machine showing our new design;

FIG. 2 is a front view thereof;

FIG. 3 is a right side view thereof;

FIG. 4 is a rear view thereof;

FIG. 5 is a left side view thereof; and,

FIG. 6 is a top view thereof.

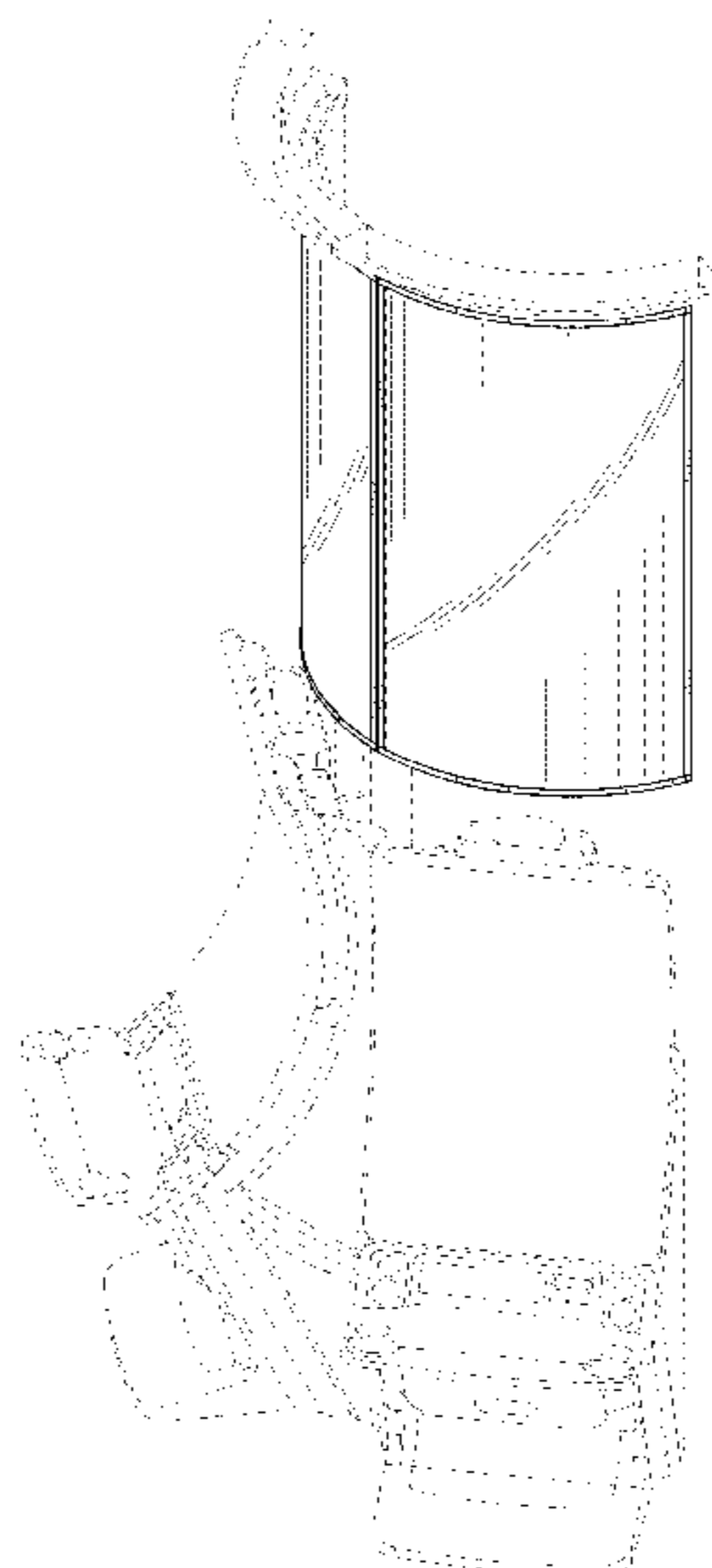
The broken lines depicting the remainder of the gaming machine illustrates environmental structure and form no part of the claimed design. The curved, oblique line shading shows that the surface is curved and that is a transparent, translucent, highly polished or reflective surface.

(56) **References Cited**

U.S. PATENT DOCUMENTS

2,661,954 A 12/1953 Koci
D236,720 S 9/1975 Baker
D238,379 S 1/1976 Miller
4,046,419 A 9/1977 Schmitt
D264,485 S 5/1982 Kitchen
4,372,557 A 2/1983 Del Principe et al.

1 Claim, 6 Drawing Sheets



(56)

References Cited

U.S. PATENT DOCUMENTS

4,840,343 A	6/1989	Gasser	D405,473 S	2/1999	Tikhonski et al.
4,861,037 A	8/1989	Oursler	D407,759 S	4/1999	Isetani et al.
4,960,117 A	10/1990	Moncrief et al.	D408,366 S	4/1999	Popadiuk
4,981,298 A	1/1991	Lawlor et al.	5,890,715 A	4/1999	Gomez et al.
D315,110 S	3/1991	Slater	5,899,454 A	5/1999	Eddy et al.
5,015,189 A	5/1991	Wenzinger	5,924,690 A	7/1999	Kopera et al.
D318,660 S	7/1991	Weber	5,934,672 A	8/1999	Sines et al.
5,074,558 A	12/1991	Bleich et al.	5,938,195 A	8/1999	Anghelo et al.
5,083,738 A	1/1992	Infanti	5,944,309 A	8/1999	Popadiuk et al.
5,091,677 A	2/1992	Bleich et al.	D415,211 S *	10/1999	Yamaguchi D21/327
5,102,192 A	4/1992	Barile, Sr.	D417,145 S	11/1999	McLaughlin
5,110,120 A	5/1992	Smolucha	5,984,782 A	11/1999	Inoue
5,114,112 A	5/1992	Infanti	6,000,697 A	12/1999	Popadiuk et al.
5,120,058 A	6/1992	Trudeau et al.	D419,201 S	1/2000	de Haas
5,123,647 A	6/1992	Lawlor et al.	D419,606 S	1/2000	Toriyama
5,143,055 A	9/1992	Eakin	6,036,188 A	3/2000	Gomez et al.
5,149,094 A	9/1992	Tastad	6,047,962 A	4/2000	Popadiuk
D333,164 S	2/1993	Kraft et al.	6,047,963 A	4/2000	Pierce et al.
5,193,807 A	3/1993	Schilling et al.	D424,122 S	5/2000	Dickenson et al.
5,195,746 A	3/1993	Boyd et al.	6,071,190 A	6/2000	Weiss et al.
D335,150 S	4/1993	Biagi et al.	D428,062 S	7/2000	Hayashi
5,226,653 A	7/1993	Bil et al.	6,089,663 A	7/2000	Hill
5,232,191 A	8/1993	Infanti	6,102,394 A	8/2000	Wurz et al.
5,290,034 A	3/1994	Hineman	6,113,097 A	9/2000	Krutsch et al.
5,297,793 A	3/1994	DeMar et al.	6,117,010 A	9/2000	Canterbury et al.
5,316,303 A	5/1994	Trudeau et al.	6,120,021 A	9/2000	Piotrowski et al.
5,322,283 A	6/1994	Ritchie et al.	6,129,353 A	10/2000	DeMar et al.
5,326,104 A	7/1994	Pease et al.	6,129,355 A	10/2000	Hahn et al.
5,350,174 A	9/1994	Ritchie et al.	6,135,449 A	10/2000	Cornell et al.
D351,869 S	10/1994	Rothschild et al.	6,135,562 A	10/2000	Infanti
5,351,954 A	10/1994	Oursler et al.	6,149,153 A	11/2000	Sheats, Jr.
5,357,104 A	10/1994	Bleich	6,155,565 A	12/2000	Gomez et al.
5,358,241 A	10/1994	Anghelo et al.	6,155,925 A	12/2000	Giobbi et al.
5,358,242 A	10/1994	Trudeau et al.	6,158,737 A	12/2000	Cornell et al.
5,358,243 A	10/1994	Eddy et al.	6,159,098 A	12/2000	Slomiany et al.
D352,738 S	11/1994	Anghelo et al.	6,164,644 A	12/2000	Cornell et al.
5,383,663 A	1/1995	Anghelo et al.	6,173,955 B1	1/2001	Perrie et al.
5,405,144 A	4/1995	Ritchie et al.	D439,282 S *	3/2001	Yamaguchi D21/329
5,409,296 A	4/1995	Barile	6,199,861 B1	3/2001	Hume et al.
5,411,257 A	5/1995	Fulton	D439,931 S	4/2001	Yamaguchi
5,415,402 A	5/1995	Morrison et al.	6,210,279 B1	4/2001	Dickinson
5,415,403 A	5/1995	Ritchie et al.	6,224,482 B1	5/2001	Bennett
5,417,423 A	5/1995	Oursler et al.	6,227,614 B1	5/2001	Rubin
5,417,425 A	5/1995	Blumberg et al.	6,227,970 B1	5/2001	Shimizu et al.
5,437,453 A	8/1995	Hineman	D443,313 S	6/2001	Brettschneider
5,465,963 A	11/1995	Patla, Sr.	D446,252 S	8/2001	Yamaguchi
5,472,197 A	12/1995	Gwiasda et al.	6,283,546 B1	9/2001	Hill
5,494,286 A	2/1996	DeMar et al.	6,290,229 B1	9/2001	Perez
5,507,488 A	4/1996	Eddy et al.	D450,094 S	11/2001	Hedrick et al.
5,511,783 A	4/1996	Popadiuk et al.	6,334,612 B1	1/2002	Wurz et al.
5,516,103 A	5/1996	Lawlor et al.	6,354,660 B1	3/2002	Friedrich
5,522,641 A	6/1996	Infanti	D459,402 S	6/2002	Wurz et al.
5,524,887 A	6/1996	Trudeau et al.	6,422,670 B1	7/2002	Hedrick et al.
5,533,726 A	7/1996	Nordman et al.	6,422,941 B1	7/2002	Thorner et al.
5,542,748 A	8/1996	Barile	6,439,993 B1	8/2002	O'Halloran
D376,391 S	12/1996	Okumura	D463,504 S	9/2002	Stephan
5,580,052 A	12/1996	Popadiuk et al.	D464,377 S	10/2002	Wurz et al.
5,632,482 A	5/1997	Anghelo	D465,813 S	11/2002	Randall
D380,014 S	6/1997	Yang	D466,160 S	11/2002	Hirato et al.
5,655,965 A	8/1997	Takemoto et al.	D467,977 S	12/2002	Gatto et al.
5,664,777 A	9/1997	Nordman et al.	D468,364 S	1/2003	Beadell et al.
5,669,818 A	9/1997	Thorner et al.	6,530,842 B1	3/2003	Wells et al.
5,678,886 A	10/1997	Infanti	6,530,872 B2	3/2003	Frehland et al.
5,697,612 A	12/1997	Piotrowski et al.	6,572,187 B2	6/2003	Laufer
5,704,835 A	1/1998	Dietz, II	6,589,114 B2	7/2003	Rose
5,707,059 A	1/1998	Sullivan et al.	6,609,972 B2	8/2003	Seelig et al.
5,720,480 A	2/1998	Lawlor et al.	6,616,142 B2	9/2003	Adams
D395,463 S	6/1998	Scott et al.	6,620,047 B1	9/2003	Alcorn et al.
5,762,617 A	6/1998	Infanti	D481,078 S	10/2003	Stephan
5,791,731 A	8/1998	Infanti	6,646,695 B1	11/2003	Gauselmann
5,806,851 A	9/1998	Gomez et al.	6,652,378 B2	11/2003	Cannon et al.
5,820,460 A	10/1998	Fulton	D483,075 S	12/2003	Kang
5,833,236 A	11/1998	Oursler et al.	D484,548 S	12/2003	Franco Munoz et al.
5,857,910 A *	1/1999	Watanabe A63F 3/081	D485,583 S	1/2004	Porto
		273/138.2	6,715,756 B2	4/2004	Inoue
			6,729,618 B1	5/2004	Koenig et al.
			D492,363 S	6/2004	Seelig et al.
			D492,364 S	6/2004	Seelig et al.
			D492,365 S	6/2004	Munoz et al.

(56)

References Cited

U.S. PATENT DOCUMENTS

D492,676 S	7/2004	Monson et al.		D613,802 S	4/2010	Meyers et al.	
D493,843 S	8/2004	Jackson, Sr. et al.		D615,598 S	5/2010	McComb et al.	
D493,846 S	8/2004	Seelig et al.		7,713,119 B2	5/2010	Pacey et al.	
D495,754 S	9/2004	Wurz et al.		D622,780 S	8/2010	Lesley et al.	
D495,755 S	9/2004	Wurz et al.		D622,781 S	8/2010	Lesley et al.	
D498,267 S	11/2004	Crouch		D622,782 S	8/2010	Chudek et al.	
D500,098 S	12/2004	Doi		7,766,738 B2	8/2010	Ogiwara	
6,880,825 B2	4/2005	Seelig et al.		D626,182 S	10/2010	Cole et al.	
D505,162 S	5/2005	Bristol et al.		D626,183 S	10/2010	Cole et al.	
D508,268 S	8/2005	Hanchar et al.		7,811,167 B2	10/2010	Giobbi et al.	
D508,269 S	8/2005	Wichinsky		D631,060 S	1/2011	Flik et al.	
D508,719 S	8/2005	de Haas		D631,100 S	1/2011	Palmisano	
D508,961 S	8/2005	Gatto et al.		D633,950 S	3/2011	Terpstra et al.	
D509,254 S	9/2005	Rasmussen et al.		D637,238 S	5/2011	O'Keene et al.	
D509,255 S	9/2005	Bristol et al.		D637,652 S	5/2011	Tahara et al.	
D512,105 S	11/2005	Chitrapongse et al.		7,938,728 B2	5/2011	Vetter et al.	
D513,511 S	1/2006	Decombe		7,955,176 B2	6/2011	Tastad et al.	
D515,144 S	2/2006	Boyd		D641,047 S	7/2011	Tahara et al.	
6,997,810 B2	2/2006	Cole		7,976,393 B2	7/2011	Haga et al.	
D520,504 S	5/2006	Martin		7,985,139 B2	7/2011	Lind et al.	
7,063,615 B2	6/2006	Alcorn et al.		8,002,424 B2	8/2011	Hwang et al.	
7,108,237 B2	9/2006	Gauselmann		8,002,626 B2	8/2011	Englman	
D531,677 S	11/2006	Mallory et al.		D646,336 S	10/2011	Kelly et al.	
7,184,277 B2	2/2007	Beime		D646,337 S	10/2011	Kelly et al.	
D537,885 S	3/2007	Gadda et al.		D646,691 S	10/2011	Thai et al.	
D539,854 S	4/2007	Luciano et al.		D649,605 S	11/2011	Terpstra et al.	
D540,398 S	4/2007	Gadda et al.		D651,608 S	1/2012	Allen et al.	
D546,893 S	7/2007	Yamashita		8,152,623 B2	4/2012	Fiden	
7,247,098 B1	7/2007	Bradford et al.		8,162,740 B2	4/2012	Aoki	
D548,801 S	8/2007	Groswirt		8,216,061 B2	7/2012	Pacey	
D548,802 S *	8/2007	Damjan D21/375		8,235,784 B2 *	8/2012	Christensen G07F 17/3244	
D549,785 S	8/2007	Luciano, Jr. et al.					463/16
7,267,612 B2	9/2007	Alcorn et al.		8,267,764 B1	9/2012	Aoki et al.	
D554,710 S	11/2007	Malone et al.		D669,076 S	10/2012	Haller	
D556,765 S	12/2007	Evans et al.		8,292,451 B2	10/2012	Hwang et al.	
D557,748 S	12/2007	Jumper		8,303,420 B2	11/2012	Chudek et al.	
D558,276 S *	12/2007	Damjan D21/375		8,305,743 B2	11/2012	Wu et al.	
D559,328 S	1/2008	Rasmussen et al.		8,323,114 B2	12/2012	Burak et al.	
D559,917 S	1/2008	Cole		D673,620 S	1/2013	Johnson et al.	
D560,724 S	1/2008	Johnson		D673,621 S *	1/2013	Johnson D21/369	
D560,725 S	1/2008	Johnson		8,353,755 B2	1/2013	Vann et al.	
D563,326 S	3/2008	Patel et al.		8,371,920 B2	2/2013	Gomez et al.	
D563,481 S	3/2008	Looks et al.		8,371,927 B2	2/2013	Englman	
D564,600 S	3/2008	Greenberg et al.		8,371,928 B2	2/2013	Englman et al.	
D564,601 S	3/2008	Strahinic et al.		8,376,832 B2	2/2013	O'Connor et al.	
D566,197 S	4/2008	Greenberg et al.		D678,955 S	3/2013	Lesley et al.	
D569,863 S	5/2008	Feldstein et al.		D678,956 S	3/2013	Lesley et al.	
D572,314 S	7/2008	Vallejo et al.		D678,957 S	3/2013	Cesaroni et al.	
D572,770 S *	7/2008	Seelig D21/370		D678,958 S	3/2013	Cesaroni et al.	
D578,168 S	10/2008	Looks et al.		D681,130 S	4/2013	Lesley et al.	
D581,983 S	12/2008	Bergstrom		8,430,756 B2	4/2013	McComb et al.	
7,465,226 B2 *	12/2008	Ikeya G07F 17/32		D682,948 S	5/2013	Cesaroni et al.	
				D685,033 S	6/2013	Wudtke	
				D691,665 S	10/2013	Chudek	
				D691,666 S	10/2013	Lesley et al.	
				D693,343 S	11/2013	Haller	
				D697,558 S	1/2014	Myers et al.	
RE40,625 E	1/2009	Wurz et al.		8,628,397 B2	1/2014	Kusuda et al.	
7,479,066 B2	1/2009	Emori		D704,273 S	5/2014	Chudek	
D587,272 S	2/2009	Morrow et al.		D704,275 S	5/2014	Lesley et al.	
D587,319 S	2/2009	Moises Deiab		D706,741 S	6/2014	Myers	
RE40,671 E	3/2009	Wurz et al.		D712,975 S	9/2014	Lesley et al.	
7,503,849 B2	3/2009	Hornik et al.		D714,875 S	10/2014	Wudtke et al.	
D590,025 S	4/2009	Fiore		D715,364 S	10/2014	Wudtke et al.	
D591,800 S *	5/2009	Hsu D21/369		8,982,545 B2	3/2015	Kim et al.	
D592,708 S *	5/2009	Hsu D21/369		D730,993 S	6/2015	Castro et al.	
D594,068 S	6/2009	Hsu		D740,888 S	10/2015	DePalma et al.	
D596,678 S	7/2009	Myers		D742,974 S	11/2015	Lesley et al.	
D597,144 S *	7/2009	Myers D21/370		D742,975 S	11/2015	Myers et al.	
D599,365 S	9/2009	Brown et al.		D760,846 S	7/2016	Castro et al.	
D599,858 S	9/2009	Lesley et al.		RE46,169 E	10/2016	Kelly et al.	
D599,859 S	9/2009	Lesley		D780,747 S *	3/2017	Sharp D14/329	
D599,860 S	9/2009	Lesley et al.		D780,852 S *	3/2017	Sharp D14/203.7	
D601,638 S	10/2009	Palmisano		9,704,337 B2 *	7/2017	Riggs G07F 17/3258	
D604,368 S	11/2009	Lesley et al.		9,728,031 B2 *	8/2017	Schultz G07F 17/3272	
7,628,693 B2	12/2009	Thomas		D805,588 S *	12/2017	Sharp D21/329	
7,666,085 B2	2/2010	Vorias et al.		D810,830 S *	2/2018	Sharp D21/329	
7,686,689 B2	3/2010	Thomas		D826,338 S *	8/2018	Bussey D21/369	
D613,343 S *	4/2010	Inoue D21/327		D832,358 S *	10/2018	Castro D21/369	

(56)

References Cited

U.S. PATENT DOCUMENTS

D834,652	S *	11/2018	Lee	D21/369
D847,905	S *	5/2019	Lewis	D21/369
D849,149	S *	5/2019	Bussey	D21/369
D849,150	S *	5/2019	Gallagher	D21/369
2002/0041069	A1	4/2002	Steelman		
2003/0122973	A1	7/2003	Huang		
2004/0018877	A1	1/2004	Tastad et al.		
2004/0029631	A1	2/2004	Duhamel		
2004/0053662	A1	3/2004	Pacey		
2005/0014547	A1	1/2005	Gomez et al.		
2006/0009284	A1	1/2006	Schwartz et al.		
2006/0034042	A1	2/2006	Hisano et al.		
2006/0079316	A1	4/2006	Flemming et al.		
2006/0131810	A1	6/2006	Nicely		
2006/0183553	A1	8/2006	Kiriyama et al.		
2006/0199638	A1	9/2006	Walker et al.		
2006/0281559	A1	12/2006	Luciano		
2006/0287111	A1	12/2006	Mitchell et al.		
2008/0039213	A1	2/2008	Cornell et al.		
2008/0051202	A1	2/2008	Lube		
2009/0174996	A1	7/2009	Park		
2010/0053231	A1	3/2010	Park		
2012/0122569	A1	5/2012	Kowolik et al.		
2012/0168058	A1	7/2012	Kim et al.		
2012/0302315	A1	11/2012	Ikeya et al.		
2013/0180653	A1	7/2013	Kim et al.		
2013/0278875	A1	10/2013	Kim et al.		
2014/0055696	A1	2/2014	Lee et al.		
2014/0092356	A1	4/2014	Ahn et al.		
2014/0176856	A1	6/2014	Lee et al.		
2014/0226111	A1	8/2014	Kim		
2014/0226112	A1	8/2014	Kim		
2014/0354938	A1	12/2014	Kim		
2014/0368782	A1	12/2014	Kim et al.		
2014/0375936	A1	12/2014	Park et al.		
2015/0000823	A1	1/2015	Kim et al.		
2015/0036073	A1	2/2015	Im et al.		
2015/0116621	A1	4/2015	Park et al.		
2015/0116625	A1	4/2015	Hwang et al.		
2015/0301390	A1	10/2015	Kim		
2018/0082523	A1*	3/2018	Palermo	G07F 17/3216
2019/0102974	A1*	4/2019	Bussey	G07F 17/3211
2019/0102984	A1*	4/2019	Gallagher	G07F 17/3216

FOREIGN PATENT DOCUMENTS

KR	1113734	B1	2/2012
KR	2012051630	A	5/2012
KR	1268471	B1	6/2013
KR	1278904	B1	6/2013
KR	1336677	B1	12/2013
KR	1381609	B1	4/2014
KR	1381610	B1	4/2014
KR	2015013987	A	2/2015
KR	1539221	B1	7/2015
TW	200949775	A	12/2009

OTHER PUBLICATIONS

Product Sheet for “Monopoly Chairman of the Board™,” WMS Gaming Inc., 1999 (2 pages).
 Product Sheet for “American Eagle,” Eagle Co., Ltd., 2000 (2 pages).
 Product Sheet for “Survivor,” WMS Gaming Inc., 2001 (4 pages).
 Product Sheet for “ProSLOT® 6000,” Bally Gaming Systems, 2002 (4 pages).
 Product Sheet for “EVO™ Hybrid,” Bally Gaming Systems, 2002 (4 pages).
 Product Sheet for “3RV™,” WMS Gaming Inc., 2002 or earlier (2 pages).
 Product Sheet for “Miss America,” AC Coin & Slot, 2002 or earlier (2 pages).

Product Catalog for Ainsworth Game Technology Ltd, date estimated as early as 2007 (6 pages).
 Product Sheet for “Ultrapin™,” Global VR, 2007 (1 pages).
 Brochure for “Virtual Pinball,” Tab-Austria, 2007 (8 pages).
 Catalog for Atronic®-Spielo®, date estimated as early as 2008 (2 pages).
 Product Catalog for “Alpha Elite™,” Bally Technologies, date estimated as early as 2008-2009 (2 pages).
 Cabinet Brochure for Hydako Co., date estimated as early as 2009 (1 page).
 Product Catalog for Bally Technologies, date estimated as early as 2010 (2 pages).
 Fall & Winter Catalog for Aristocrat, date estimated as early as 2010-2011 (7 pages).
 Catalog for “Your Partner Innovation,” Bally Technologies, date estimated as early as 2011 (4 pages).
 Co-pending Design U.S. Appl. No. 29/559,629, filed Mar. 30, 2016.
 Co-pending Design U.S. Appl. No. 29/559,613, filed Mar. 30, 2016.
 Co-pending Design U.S. Appl. No. 29/559,593, filed Mar. 30, 2016.
 Immersaview, “Why choose a Curved Screen for your Multi-Projector Setup”, Jan. 28, 2016; retrieved from <<https://www.immersaview.com/resources/why-curved/>> (7 pages).
 Denison; “Why can’t you buy a flat OLED yet? The curve isn’t just about viewing experience”; Digital Trends; Aug. 18, 2013; retrieved from <<http://www.digitaltrends.com/home-theater-why-did-the-us-get-stuck-with-curved-oled/#!zXypT>> (8 pages).
 Wilcox, “LG, Samsung, and Sony throw TV buyers a curve”; Consumer Reports; Sep. 10, 2013; retrieved from <<http://www.consumerreports.org/cro/news/2013/09/curved-tv-screens/index.htm#>> (1 page).
 Snider; “Sony tosses latest pitch for curved TV displays”; USA Today; Oct. 15, 2013; retrieved from <<http://www.usatoday.com/story/tech/personal/2013/10/15/new-curved-sony-led-hdtv/2982051/>> (2 pages).
 Morrison; “Curved OLED HDTV screens are a bad idea (for now)”; CNET; Jun. 18, 2013; retrieved from <<https://www.cnet.com/news/curved-oled-hdtv-screens-are-a-bad-idea-for-now/>> (9 pages).
 Cochran; “Why Samsung’s curved-screen TV might be a ‘game changer’”; CBS News; Aug. 14, 2013; retrieved from <<http://www.cbsnews.com/news/why-samsungs-curved-screen-tv-might-be-a-game-changer/>> (3 pages).
 Kelly; “TV trends at CES: 4K, curves and smart TVs”; CNN; Jan. 8, 2014; retrieved from <<http://www.cnn.com/2014/01/07/tech/gaming-gadgets/ces-television-trends/>> (5 pages).
 Manjoo; “TV Makers Are Out of Ideas”; Wall Street Journal; Jan. 8, 2014; retrieved from <<https://www.wsj.com/news/articles/SB10001424052702303393804579308801012230792>> (4 pages).
 Daniel; “Curved Monitors—Overview”; Curved Monitor Test; Aug. 28, 2015; retrieved from <<http://www.curved-monitor-test.de/>> (5 pages).
 Matthias; “Curved TV—Overview”; Curved TV Test; Apr. 20, 2016; retrieved from <<https://technikblog.net/fernseher-test/curved-tv/>> (16 pages, in German).
 Ljt216; “Flat Screen vs Curved CRTs for Retro Games”; Reddit; Jul. 29, 2015; retrieved from <https://www.reddit.com/r/gamecollecting/comments/3f25r0/flat_screen_vs_curved_crts_for_retro_games/> (4 pages).
 Photonics Industry and Technology Development Association (PIDA); “E-Paper Shows Potential at Creating a Paperless Haven”; OptoLink Magazine, 3 Quarter 2008; pp. 8-11 (4 pages).
 AU Optronics Corp.; News Center: “AUO Announces Multiple Upcoming Innovations”; Oct. 27, 2008; retrieved from <<http://www.auo.com/?sn=107&lang=en-US&c=10&n=363>>; (2 pages).
 DigiTimes, Inc.; “FPD China 2009: AUO 8.9-inch convex display panel”; Mar. 12, 2009; retrieved from <<http://www.digitimes.com/photogallery/showphoto.asp?ID=3376>>; (3 pages).
 Gizmodo.com; “AUO Curved Displays, Ultra Thin LCDs On The Way”; May 20, 2008; retrieved from <<http://gizmodo.com/392248/auo-curved-displays-ultra-thin-lcds-on-the-way>>; (2 pages).
 PC World; “AU Optronics Shows Off Curved LCD Screen”; May 20, 2008; retrieved from <<http://www.pcworld.com/article/146083/article.amp.html>> (3 pages).

(56)

References Cited

OTHER PUBLICATIONS

DailyTech; "AUO Shows Off Curved Display and Touch Screen", May 23, 2008; retrieved from <<http://www.dailytech.com/AUO+Shows+Off+Curved+Display+and+Touch+Screen+Tech/article11845.htm>>; (2 pages).

OLED-Info; "LG Phillips LCD Develops 14.3-Inch Color E-Paper Display"; Jan. 4, 2008; retrieved from <http://www.oled-info.com/lg/lg_phillips_lcd_develops_14_3_inch_color_e_paper_display>; (2 pages).

NewLaunches.com; "LG Phillips LCD develops world's highest resolution 14.3 inch flexible color E-paper display!"; Jan. 3, 2008; retrieved from <http://newlaunches.com/archives/lgphillips_lcd_develops_worlds_highest_resolution_143inch_flexible_color_epaper_display.php>; (4 pages).

Series of Screenshots from video: Wood, Molly (Mar. 26, 2015). Major, Clare, Carr, Vanessa, eds. <https://www.nytimes.com/video/technology/personaltech/10000002788325/curved-screens-worth-it.html>.

Co-pending Design U.S. Appl. No. 29/600,744, filed Apr. 14, 2017.

Co-pending Design U.S. Appl. No. 29/600,745, filed Apr. 14, 2017.

Co-pending Design U.S. Appl. No. 29/600,739, filed Apr. 14, 2017.

* cited by examiner

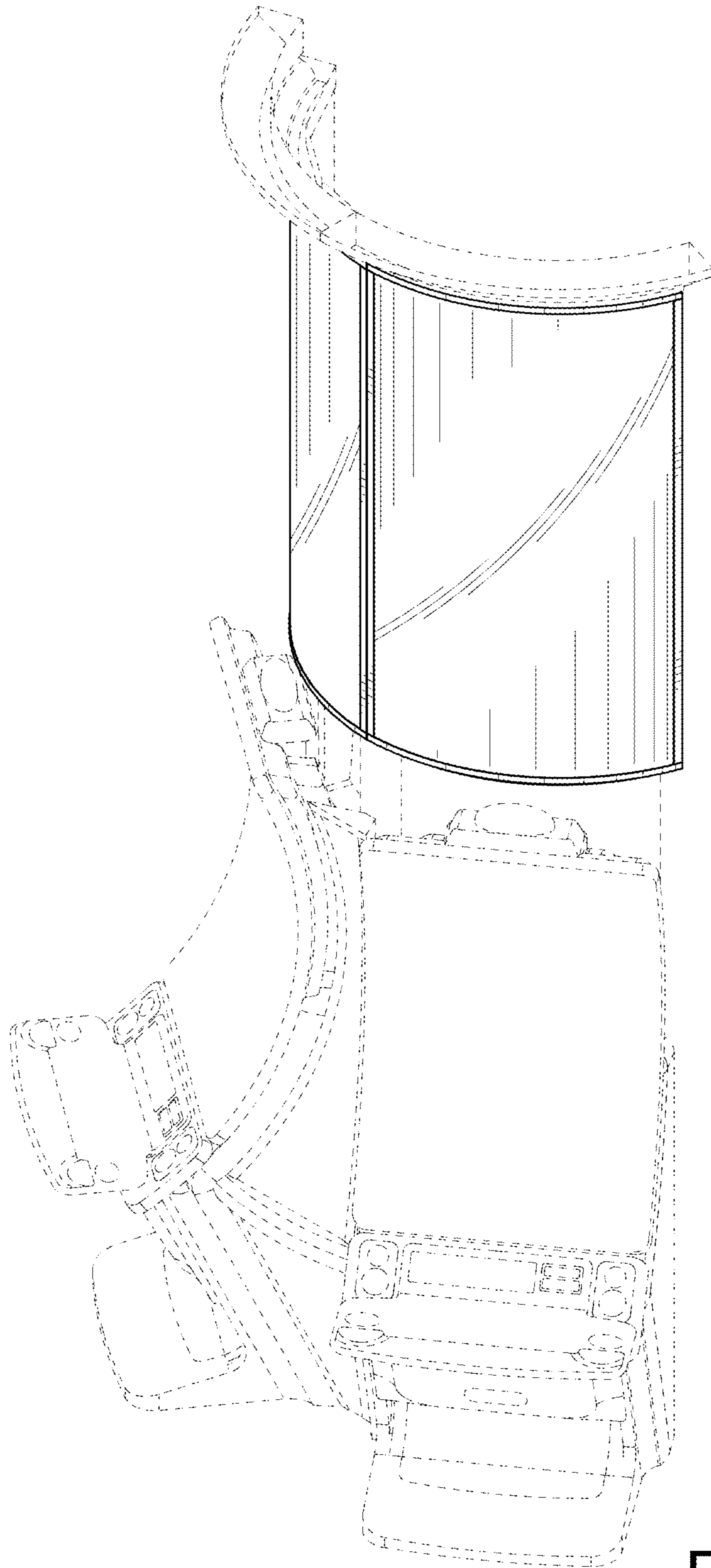


FIG. 1

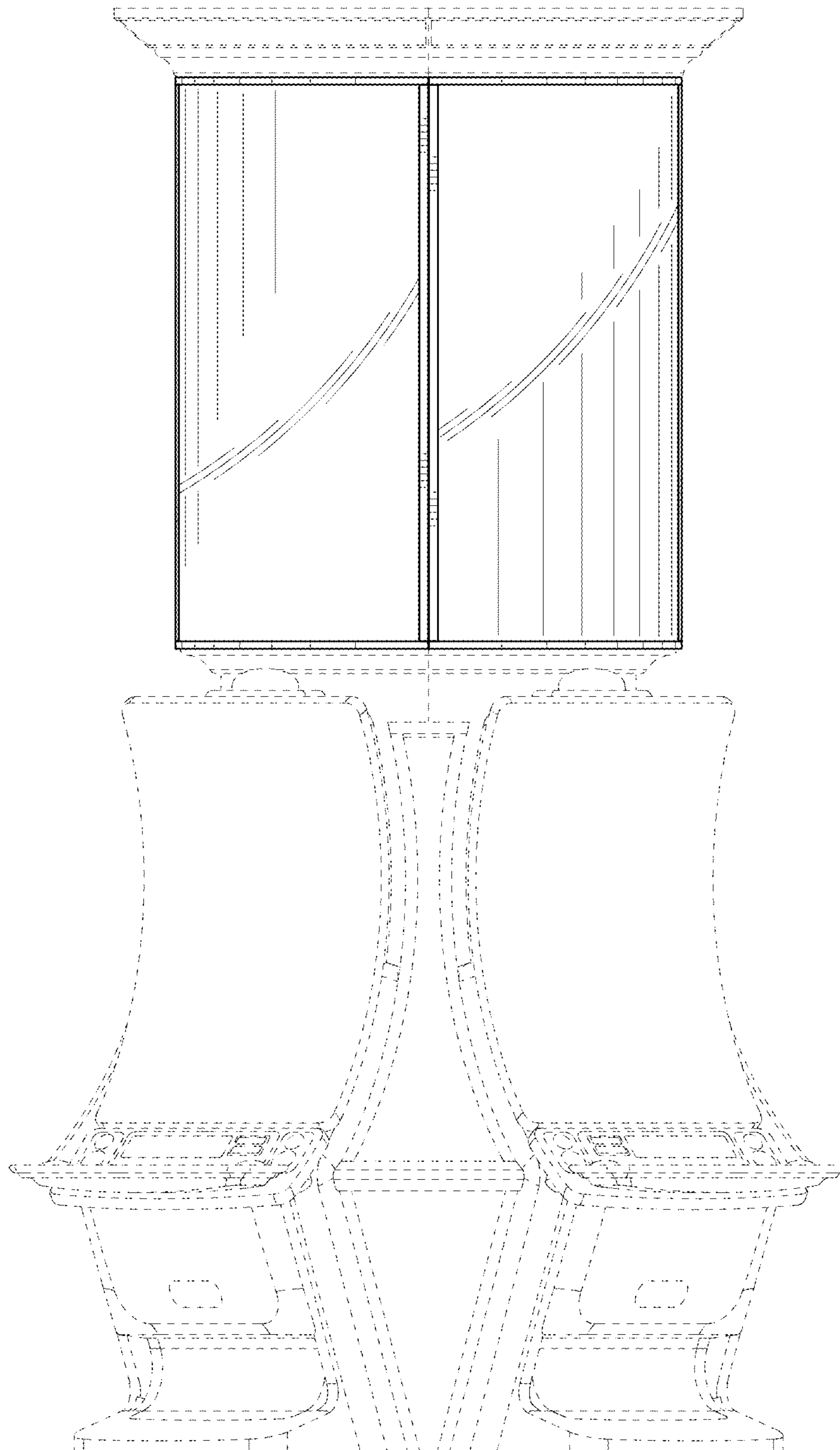


FIG. 2

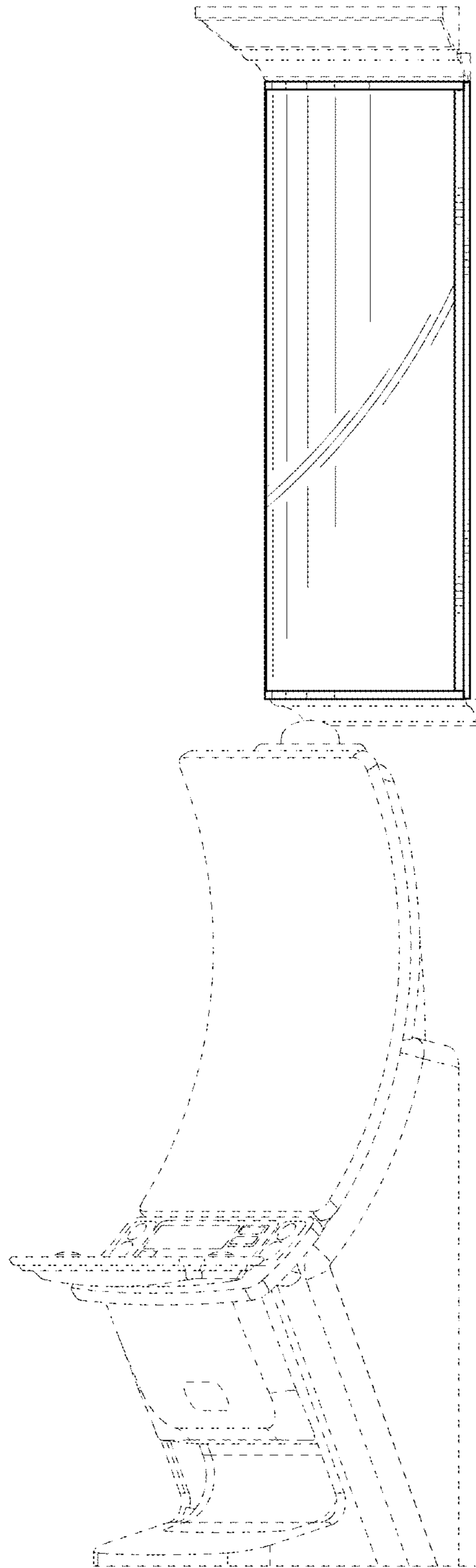


FIG. 3

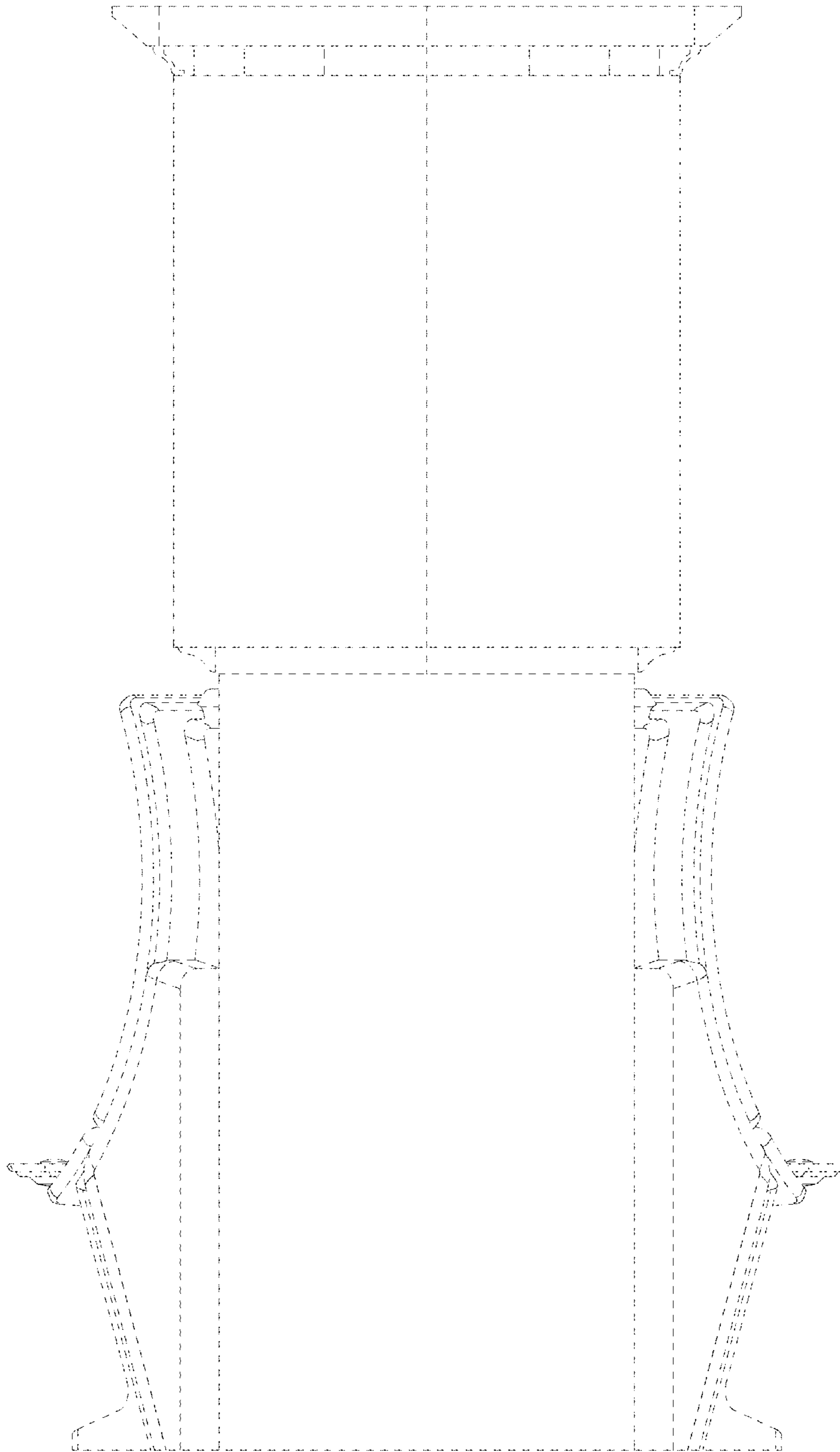


FIG. 4

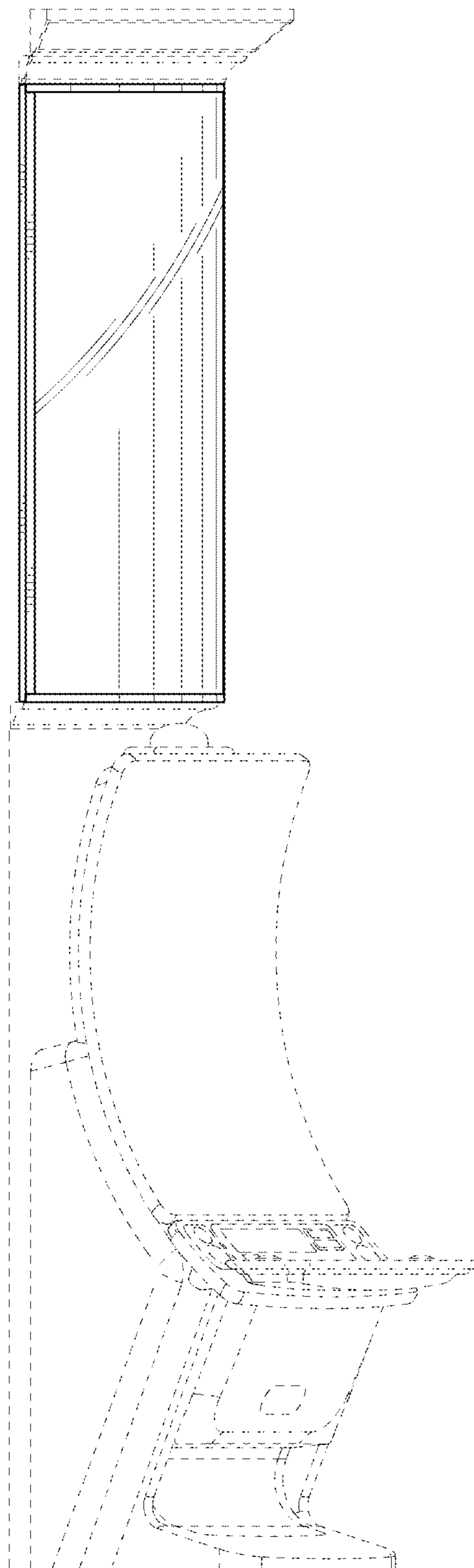


FIG. 5

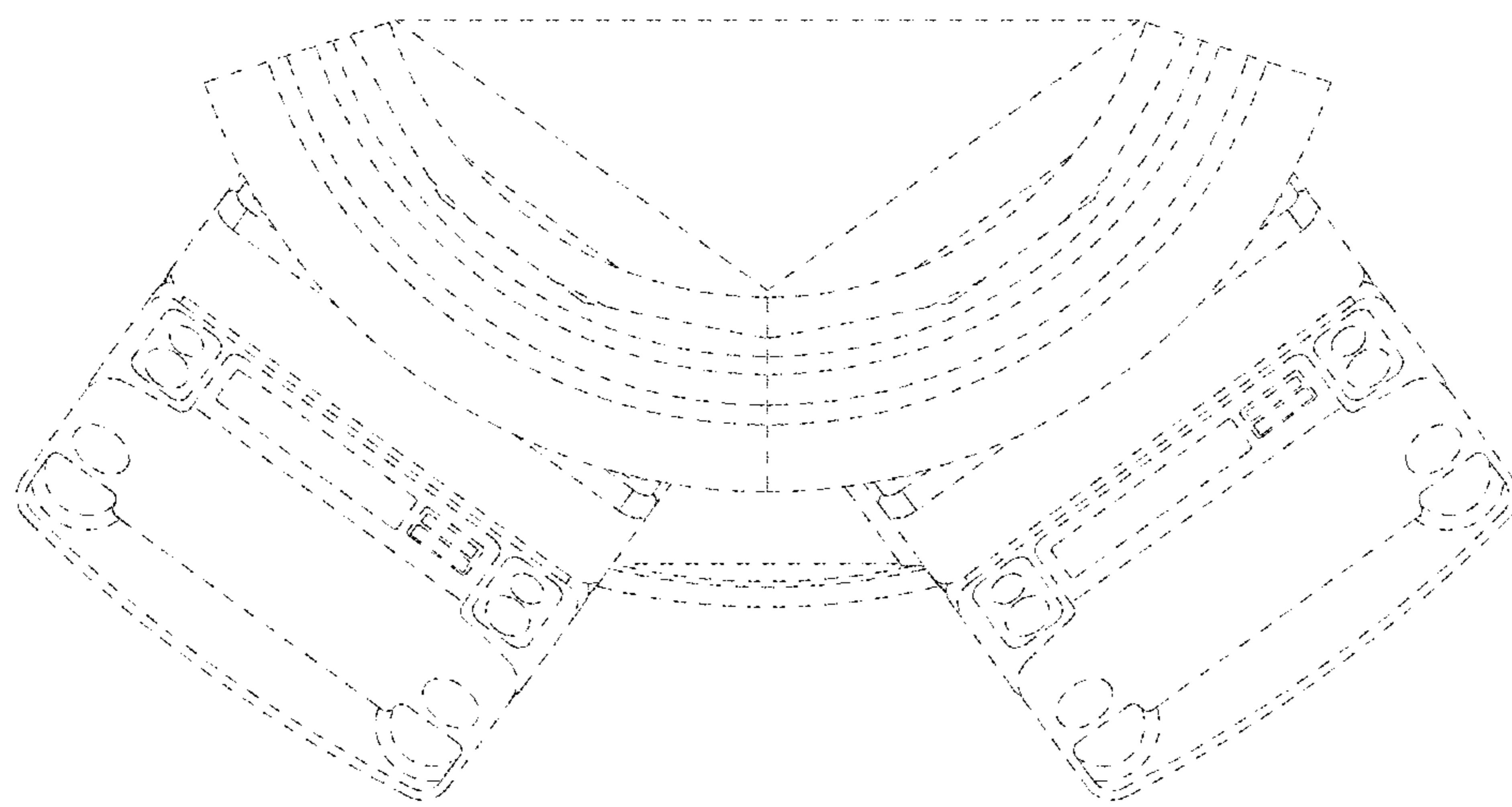


FIG. 6