



US00D878475S

(12) **United States Design Patent**  
**Jetter**

(10) **Patent No.:** **US D878,475 S**

(45) **Date of Patent:** **\*\* Mar. 17, 2020**

- (54) **GAMING CONTROLLER**
- (71) Applicant: **Logitech Europe S.A.**, Lausanne (CH)
- (72) Inventor: **Robert Jetter**, Pleasanton, CA (US)
- (73) Assignee: **LOGITECH EUROPE, S.A.**,  
Lausanne (CH)
- (\*\*) Term: **15 Years**
- (21) Appl. No.: **29/659,409**
- (22) Filed: **Aug. 8, 2018**
- (51) **LOC (12) Cl.** ..... **21-02**
- (52) **U.S. Cl.**  
USPC ..... **D21/333**
- (58) **Field of Classification Search**  
USPC ..... D14/174, 218, 387-389, 400-418,  
D14/426-431, 443, 449-450, 454, 471,  
D14/511; D21/333, 363, 368  
CPC ..... A63F 13/42; A63F 13/98  
See application file for complete search history.

7,235,012 B2 \* 6/2007 DiDato ..... A63F 13/06  
463/38

D610,625 S 2/2010 Guinchard et al.  
D632,340 S 2/2011 Guinchard et al.

(Continued)

**OTHER PUBLICATIONS**

Nacon Revolution Pro Contro: Published Sep. 1, 2017[online], site visited Sep. 9, 2019. Available from Internet URL:https://www.amazon.com/dp/B0746SDHT3/ref=cm\_sw\_r\_tw\_dp\_U\_x\_ONfEDbA0D9CEZ (Year: 2017).\*

(Continued)

*Primary Examiner* — Jack Reickel

*Assistant Examiner* — Melvin L Davis

(74) *Attorney, Agent, or Firm* — Patterson & Sheridan, LLP

(57) **CLAIM**

The ornamental design for a gaming controller, as shown and described.

**DESCRIPTION**

FIG. 1 is a top right side perspective view of a gaming controller;

FIG. 2 is a top left side perspective view thereof;

FIG. 3 is a back left side perspective view thereof;

FIG. 4 is a top back right side perspective view thereof;

FIG. 5 is a bottom left side perspective view thereof;

FIG. 6 is a bottom right side perspective view thereof;

FIG. 7 is a front view thereof;

FIG. 8 is a right side perspective view thereof;

FIG. 9 is a back side perspective view thereof;

FIG. 10 is a left side perspective view thereof;

FIG. 11 is a top view thereof; and,

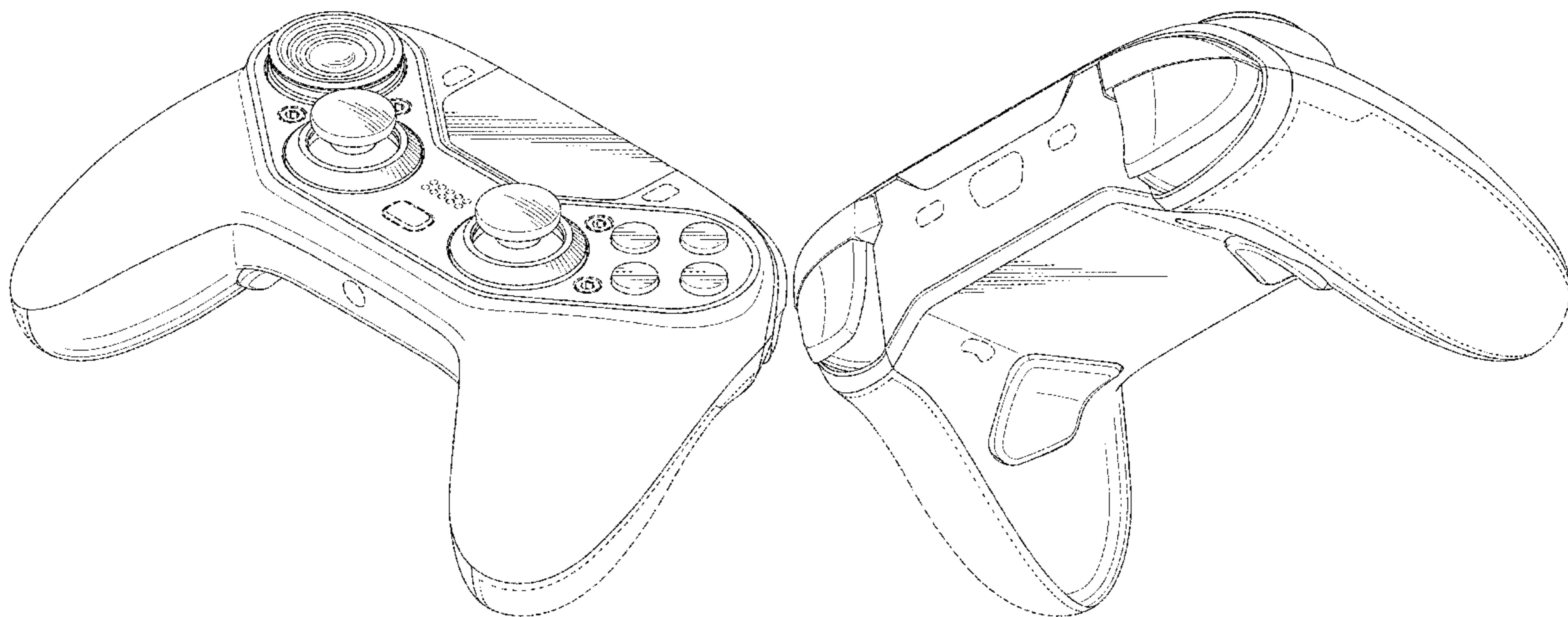
FIG. 12 is a bottom view thereof.

The broken lines shown in the figures are for illustrating portions that form no part of the claimed design.

**1 Claim, 12 Drawing Sheets**

(56) **References Cited**  
U.S. PATENT DOCUMENTS

D391,997 S	3/1998	Salinas	
D440,567 S	4/2001	Wahlgren et al.	
6,210,278 B1	4/2001	Klitsner	
D444,469 S *	7/2001	Goto	D14/413
D444,470 S *	7/2001	Goto	D14/415
6,279,906 B1	8/2001	Sanderson et al.	
D447,480 S	9/2001	Sheehan et al.	
D464,349 S	10/2002	Loughnane et al.	
D464,968 S	10/2002	Wahlgren et al.	
D471,552 S	3/2003	Loughnane et al.	
D475,710 S	6/2003	Sheehan et al.	
D476,336 S	6/2003	Stephens et al.	
6,572,108 B1	6/2003	Bristow	
D491,183 S	6/2004	Swan et al.	
6,811,491 B1	11/2004	Levenberg et al.	
7,063,321 B2 *	6/2006	Hussaini	A63F 13/06 273/148 B



(56)

References Cited

U.S. PATENT DOCUMENTS

D667,892	S	9/2012	Burgess et al.	
D685,434	S	7/2013	Ali et al.	
8,641,525	B2	2/2014	Burgess et al.	
D715,296	S *	10/2014	Huang .....	D14/401
D718,818	S *	12/2014	Sumii .....	D14/401
D721,139	S	1/2015	Burgess et al.	
D727,430	S *	4/2015	Sumii .....	D14/410
D733,802	S	7/2015	Burgess et al.	
D736,322	S	8/2015	Navid	
D736,860	S *	8/2015	Lovoi .....	D14/401
D748,734	S	2/2016	Burgess et al.	
D778,989	S	2/2017	Ali et al.	
D780,180	S *	2/2017	Ironmonger .....	D14/401
D780,759	S *	3/2017	Ironmonger .....	D14/401
D780,760	S *	3/2017	Ironmonger .....	D14/401
D794,027	S *	8/2017	Ironmonger .....	D14/401
D810,831	S	2/2018	Ali et al.	
D816,083	S *	4/2018	Wu .....	D14/401
D819,140	S	5/2018	Ali et al.	
2015/0238855	A1 *	8/2015	Uy .....	G06F 3/0338 463/37

OTHER PUBLICATIONS

SADES PS4 Controller and Wireless Gamepad for PS4(Blue)—C100 SADES: Published Jul. 10, 2019 [online], site visited Sep. 23,

2019. Available from Internet URL: [https://www.amazon.com/dp/B07V3DNS57/ref=cm\\_sw\\_r\\_tw\\_dp\\_U\\_x\\_XurlDbVFNBH8](https://www.amazon.com/dp/B07V3DNS57/ref=cm_sw_r_tw_dp_U_x_XurlDbVFNBH8) (Year: 2019).\*

Game Controller Wireless, Gamesir Bluetooth Gamepad Joystick, for Android Pho . . . : Published Jun. 28, 2016 [online], site visited Sep. 23, 2019. Available from Internet URL: [https://www.amazon.com/dp/B01KZ98RUA/ref=cm\\_sw\\_r\\_tw\\_dp\\_U\\_x\\_5zrlDb9JEC2SM](https://www.amazon.com/dp/B01KZ98RUA/ref=cm_sw_r_tw_dp_U_x_5zrlDb9JEC2SM) (Year: 2016).\*

iPEGA PG-9118 Wireless Gamepad Joystick Multimedia Game Controller Compatible . . . : Published Mar. 6, 2019 [online], site visited Mar. 6, 2019. Available from Internet URL: [https://www.amazon.com/dp/B07PGT3X4Q/ref=cm\\_sw\\_r\\_tw\\_dp\\_U\\_x\\_KErIdb9YANG8A](https://www.amazon.com/dp/B07PGT3X4Q/ref=cm_sw_r_tw_dp_U_x_KErIdb9YANG8A) (Year: 2019).\*

Controller—Purple Shadow/Gold Edition (Xbox One) Custom Controllers UK: Published Apr. 16, 2018 [online], site visited Dec. 5, 2018. Available from Internet URL: [https://www.amazon.co.uk/dp/B0711SDXQZ/ref=cm\\_sw\\_r\\_tw\\_dp\\_U\\_x\\_Vjx6DbZFR2TJJ](https://www.amazon.co.uk/dp/B0711SDXQZ/ref=cm_sw_r_tw_dp_U_x_Vjx6DbZFR2TJJ) (Year: 2018).\*

EasySMX PS3 Gaming Controller 2.4G Gamepads Vibration Fire Button: Published Mar. 9, 2018 [online], site visited Dec. 5, 2018. Available from Internet URL: [https://www.amazon.co.uk/dp/B07BQZPWYG/ref=cm\\_sw\\_r\\_tw\\_dp\\_U\\_x\\_yxx6Db4NQ6YMD](https://www.amazon.co.uk/dp/B07BQZPWYG/ref=cm_sw_r_tw_dp_U_x_yxx6Db4NQ6YMD) (Year: 2018).\*

\* cited by examiner

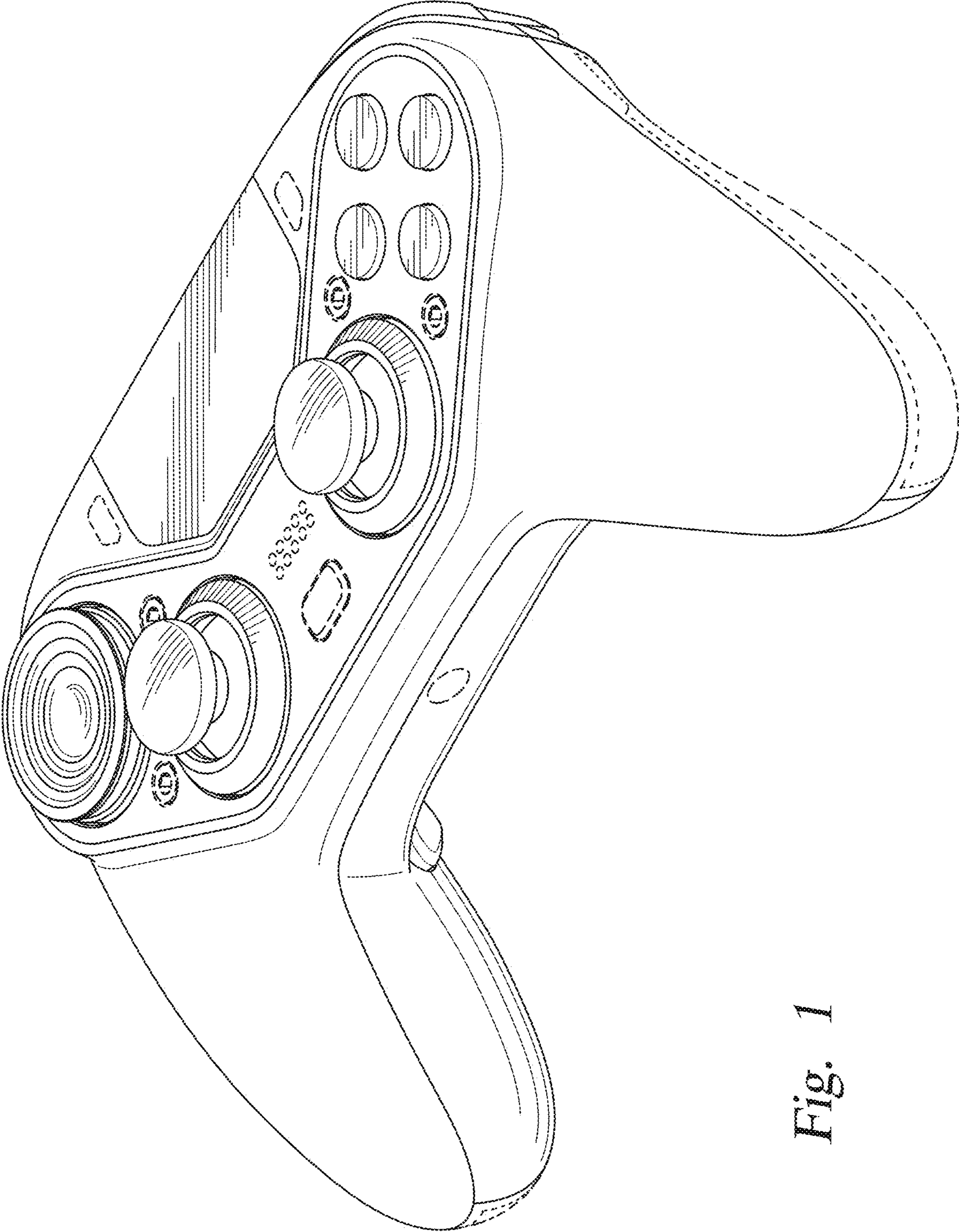


Fig. 1

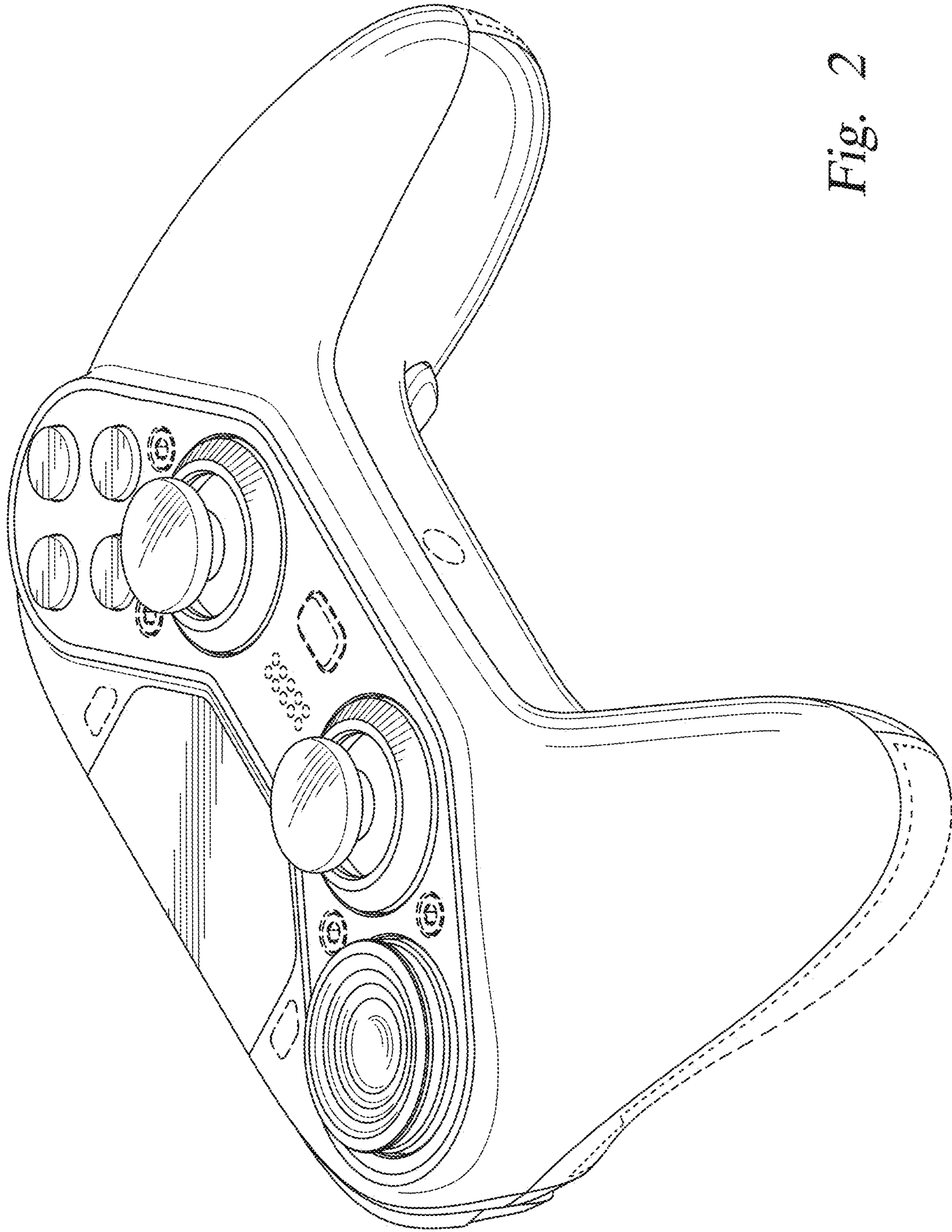


Fig. 2

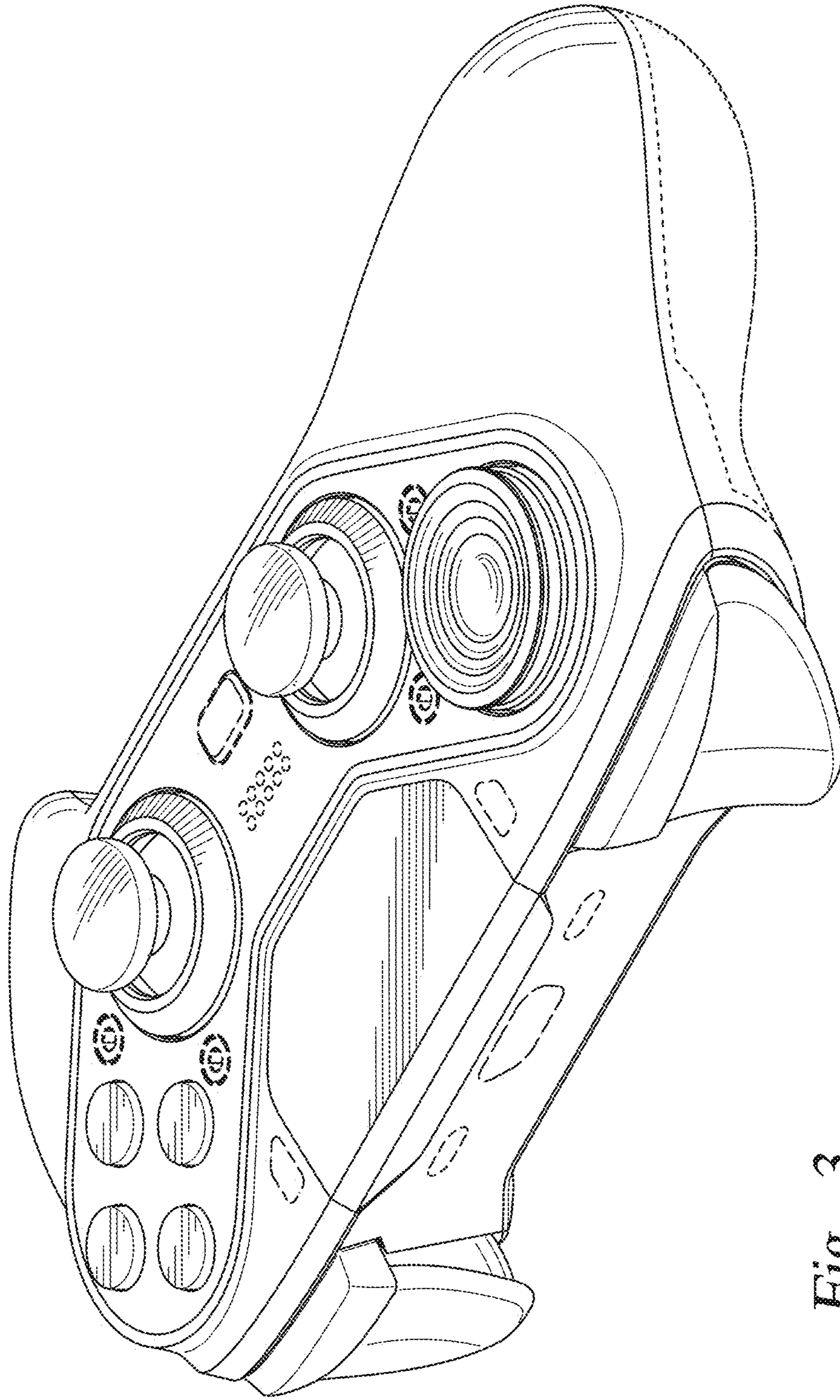


Fig. 3

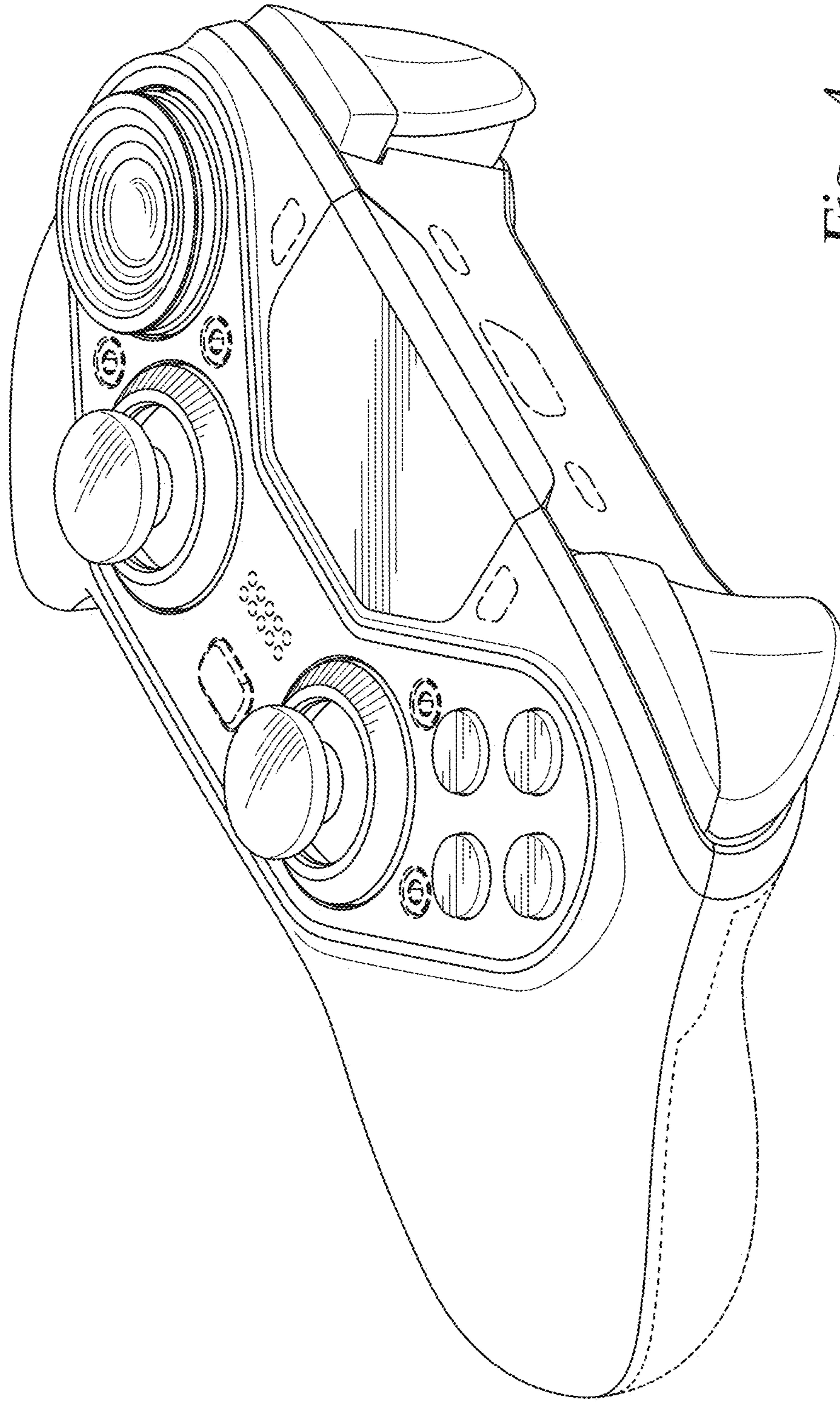


Fig. 4

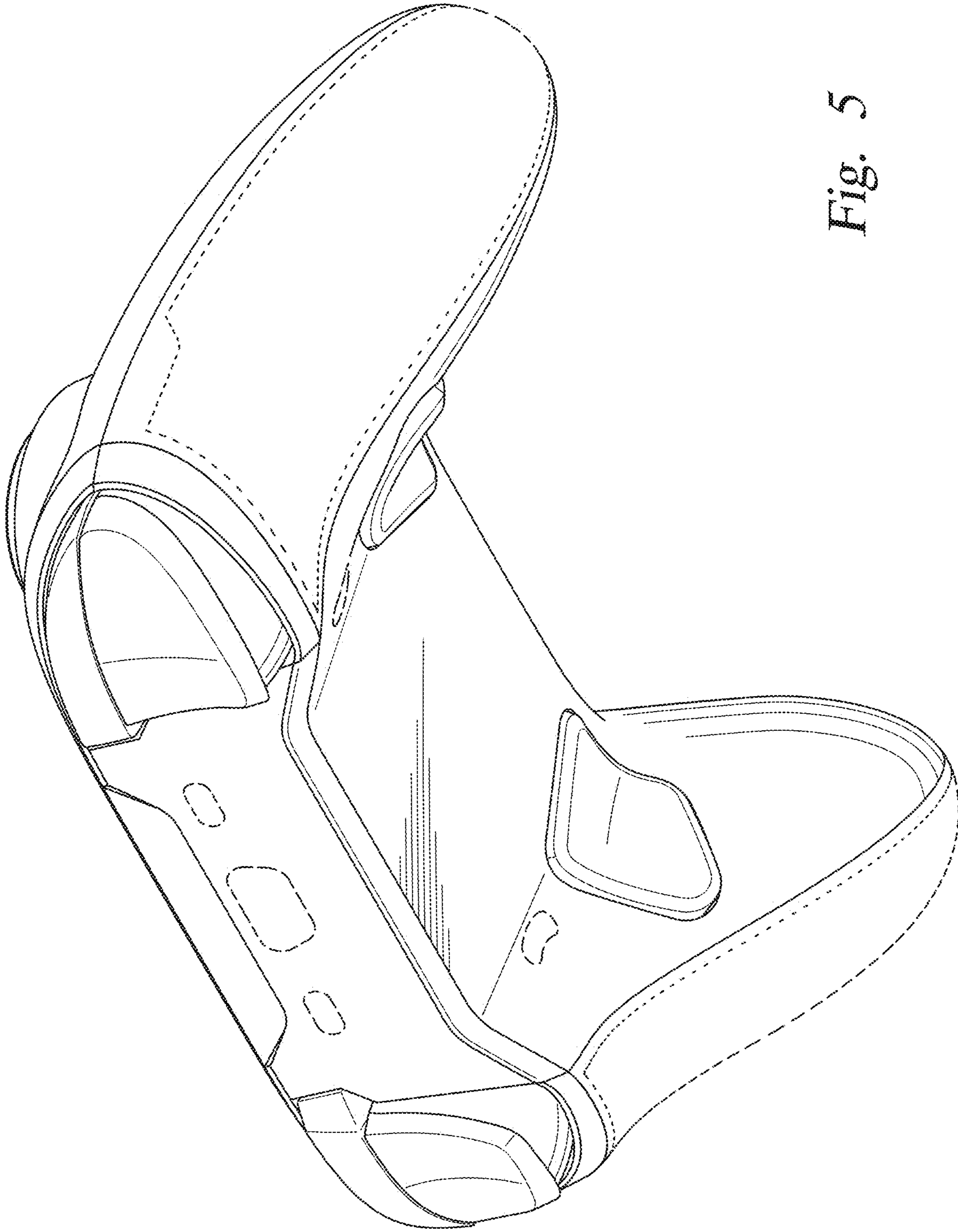


Fig. 5

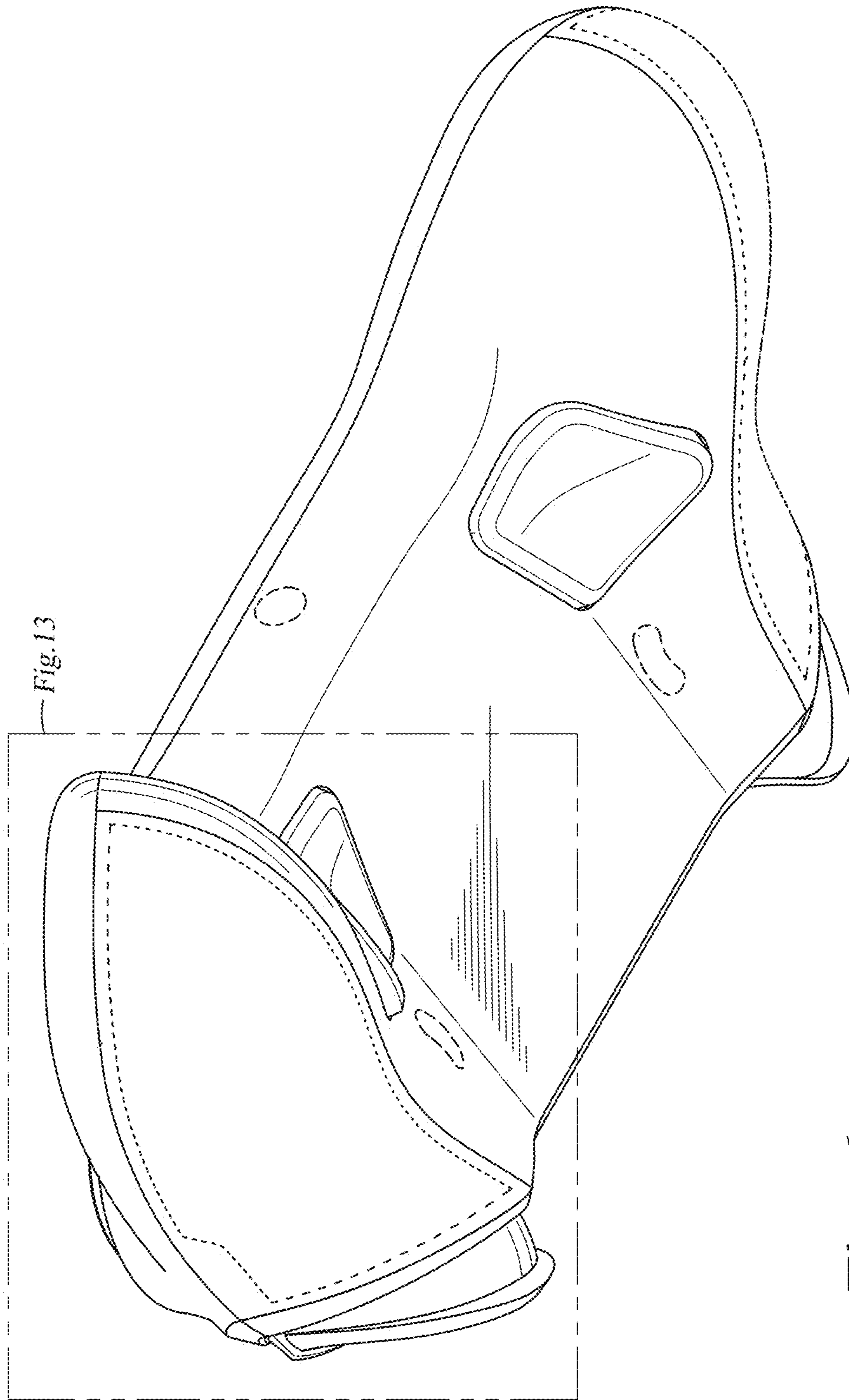


Fig. 13

Fig. 6



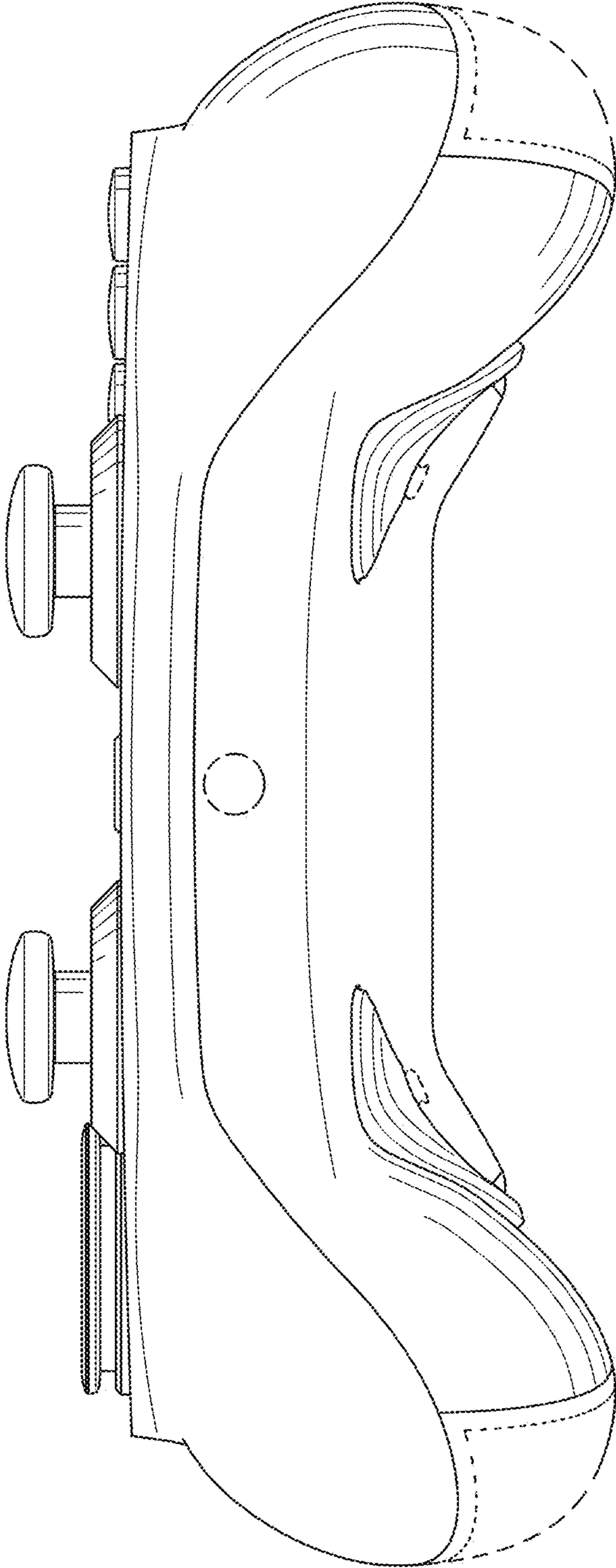


Fig. 7

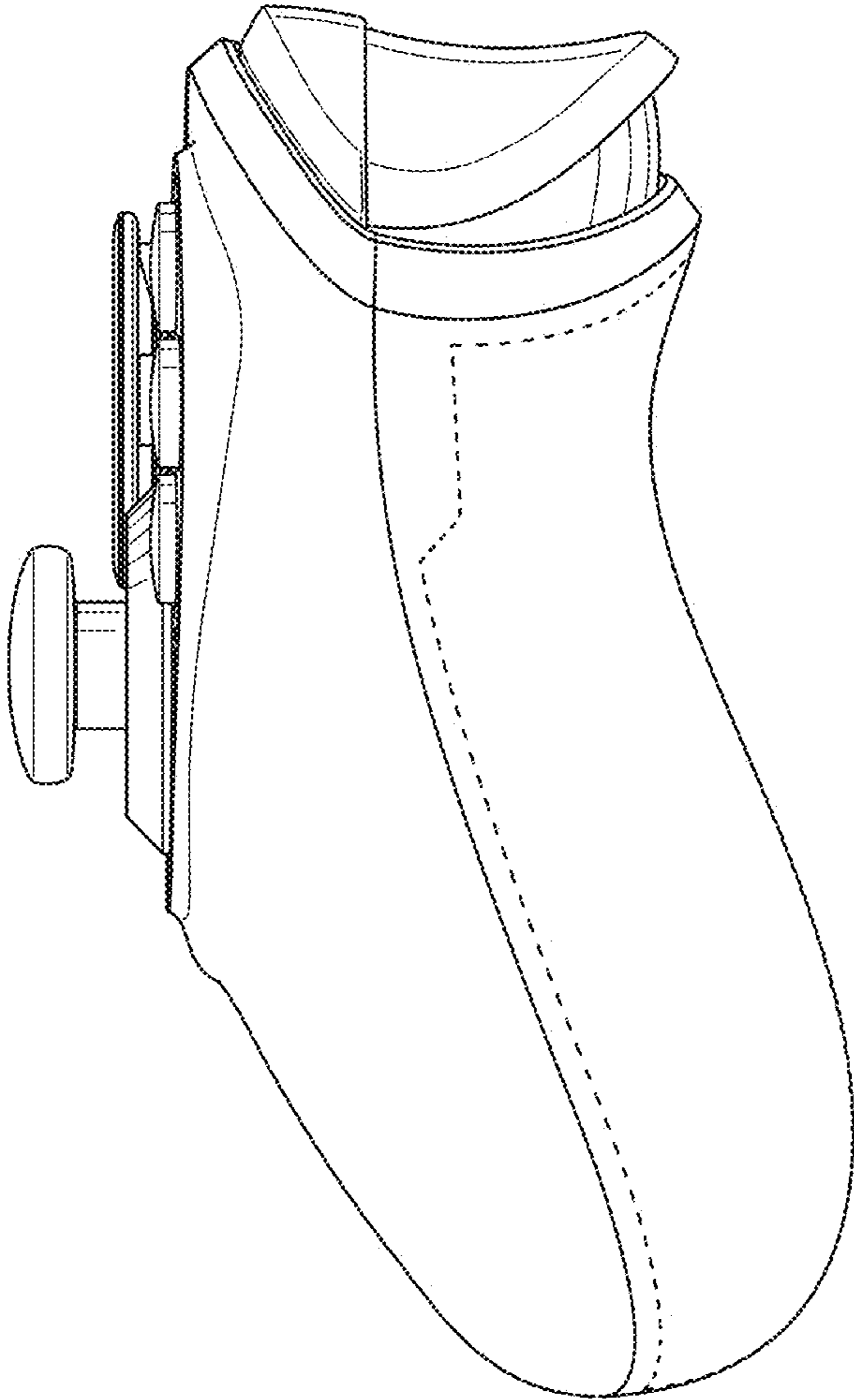


Fig. 8

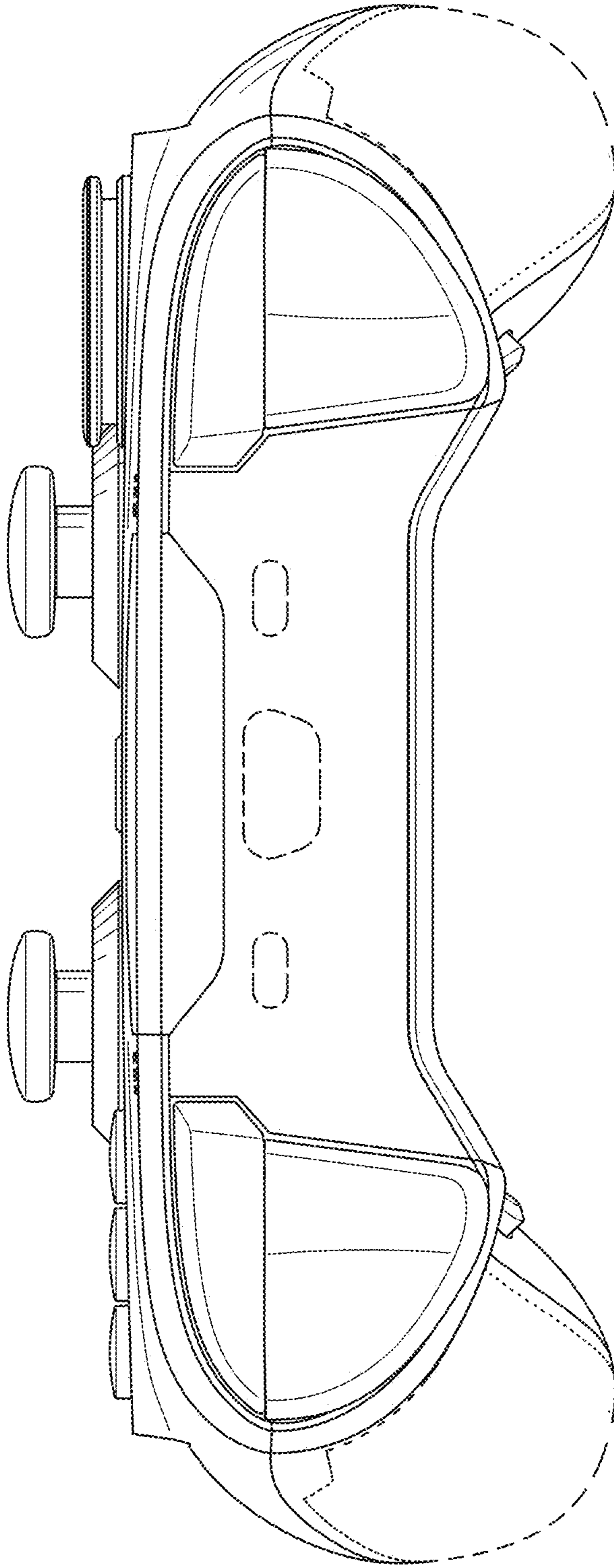


Fig. 9

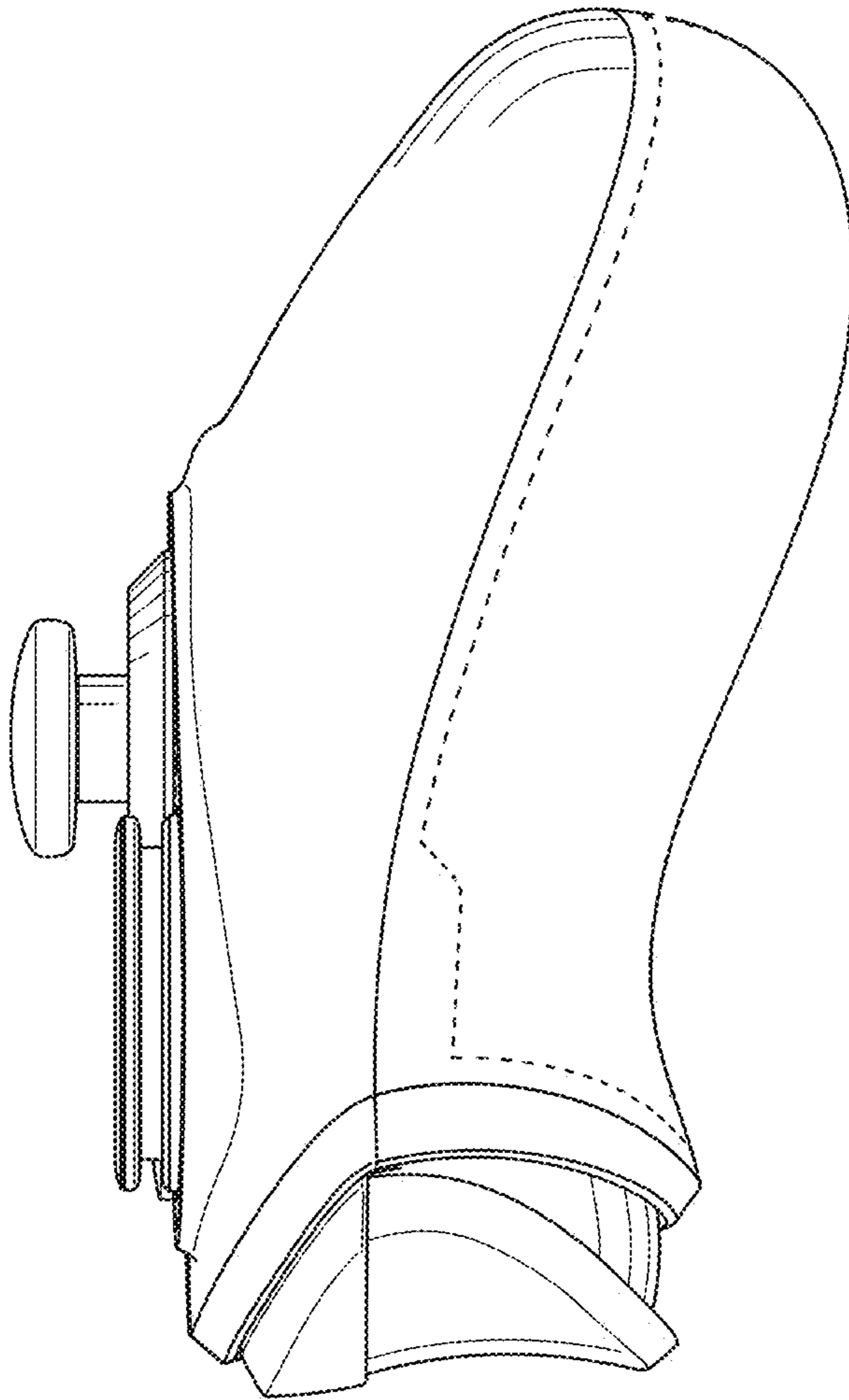


Fig. 10

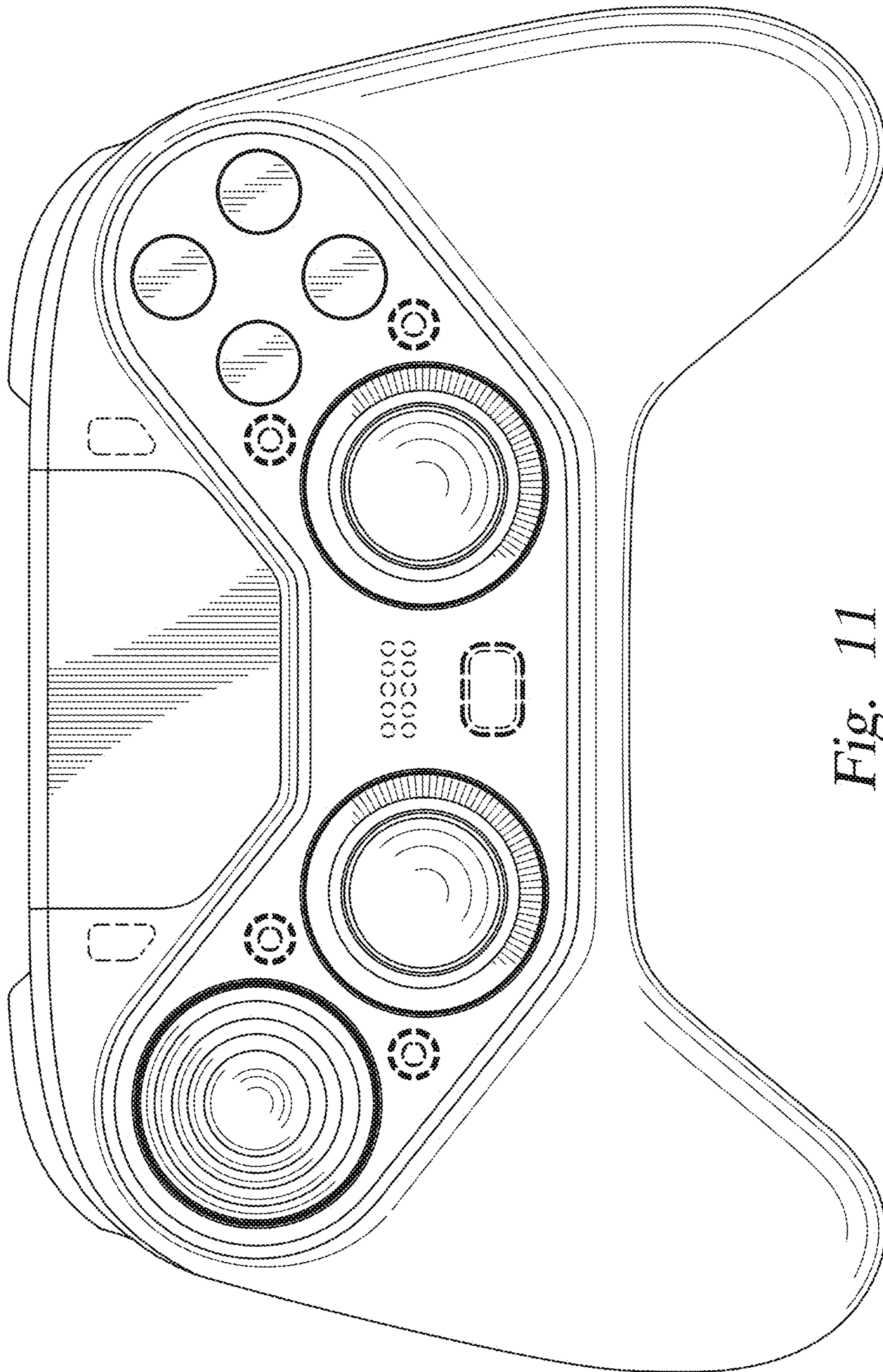
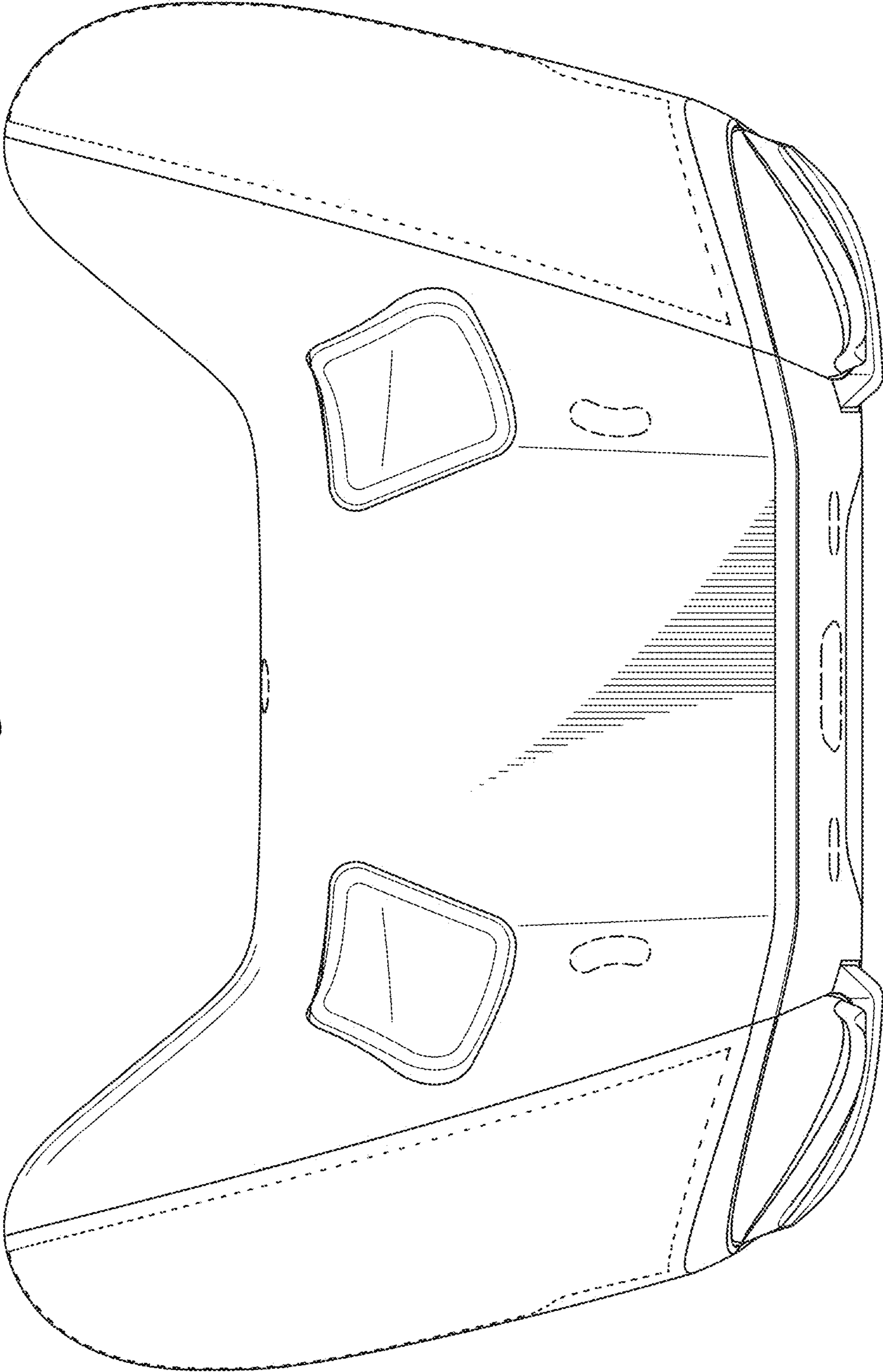


Fig. 11

Fig. 12



UNITED STATES PATENT AND TRADEMARK OFFICE  
**CERTIFICATE OF CORRECTION**

PATENT NO. : D878,475 S  
APPLICATION NO. : 29/659409  
DATED : March 17, 2020  
INVENTOR(S) : Robert Jetter

Page 1 of 1

It is certified that error appears in the above-identified patent and that said Letters Patent is hereby corrected as shown below:

On the Title Page

Add Inventors:

Second Inventor -- Jeremy Paul Burgess, San Jose, CA

Third Inventor -- Adam Kyle Barry, Birmingham, MI

Fourth Inventor -- Kenneth Young, San Francisco, CA

Signed and Sealed this  
Eighteenth Day of May, 2021



Drew Hirshfeld  
*Performing the Functions and Duties of the  
Under Secretary of Commerce for Intellectual Property and  
Director of the United States Patent and Trademark Office*