



US00D878473S

(12) **United States Design Patent** (10) **Patent No.:** **US D878,473 S**
Thoeni et al. (45) **Date of Patent:** **** Mar. 17, 2020**

(54) **BAR TOP GAMING MACHINE HAVING DUAL BILL ACCEPTORS**

(71) Applicant: **IGT**, Las Vegas, NV (US)
(72) Inventors: **Stewart Thoeni**, Reno, NV (US);
James Vasquez, Carson City, NV (US);
Steven P. McGahn, Reno, NV (US);
Brian K. Baker, Reno, NV (US)

(73) Assignee: **IGT**, Las Vegas, NV (US)

(**) Term: **15 Years**

(21) Appl. No.: **29/664,402**

(22) Filed: **Sep. 25, 2018**

(51) **LOC (12) Cl.** **21-01**

(52) **U.S. Cl.**
USPC **D21/329**

(58) **Field of Classification Search**
USPC D21/325, 329, 397
See application file for complete search history.

(56) **References Cited**

U.S. PATENT DOCUMENTS

| | | | |
|--------------|--------|------------------|---------|
| D77,825 S | 2/1929 | Fey | |
| D245,359 S | 8/1977 | Wilke | |
| 5,813,914 A | 9/1998 | McKay et al. | |
| D460,915 S * | 7/2002 | Lynch | D21/329 |
| 6,688,984 B2 | 2/2004 | Cole | |
| D508,961 S | 8/2005 | Gatto et al. | |
| 6,997,810 B2 | 2/2006 | Cole | |
| D539,854 S | 4/2007 | Luciano et al. | |
| 7,267,613 B2 | 9/2007 | Cole | |
| D559,917 S | 1/2008 | Cole | |
| D564,600 S | 3/2008 | Greenberg et al. | |
| 7,396,282 B2 | 7/2008 | Gauselmann | |
| D596,678 S | 7/2009 | Myers | |

(Continued)

OTHER PUBLICATIONS

Taiwan Trade, "23 inch double screen cabinet", www.taiwantrade.com/product/23-double-screen-slant-top-gaming-machine-for-casino-gaming-center-1293546.html#, last update Sep. 19, 2017 (3 pages).

Primary Examiner — George D. Kirschbaum
(74) *Attorney, Agent, or Firm* — Neal, Gerber & Eisenberg LLP

(57) **CLAIM**

The ornamental design for a bar top gaming machine having dual bill acceptors, as shown and described herein.

DESCRIPTION

This application is related to the following commonly owned co-pending patent applications: U.S. application Ser. No. 29/660,021, entitled "Bartop Gaming Console,"; U.S. application Ser. No. 16/140,839, entitled "Electronic Gaming Machine with Multiple Bill Validators,"; and U.S. application Ser. No. 29/664,398, entitled "Gaming Machine having Dual Bill Acceptors,".

FIG. 1 is a front top perspective view of a bar top gaming machine having dual bill acceptors of our new design.

FIG. 2 is a front view of the bar top gaming machine having dual bill acceptors of FIG. 1.

FIG. 3 is a rear view of the bar top gaming machine having dual bill acceptors of FIG. 1.

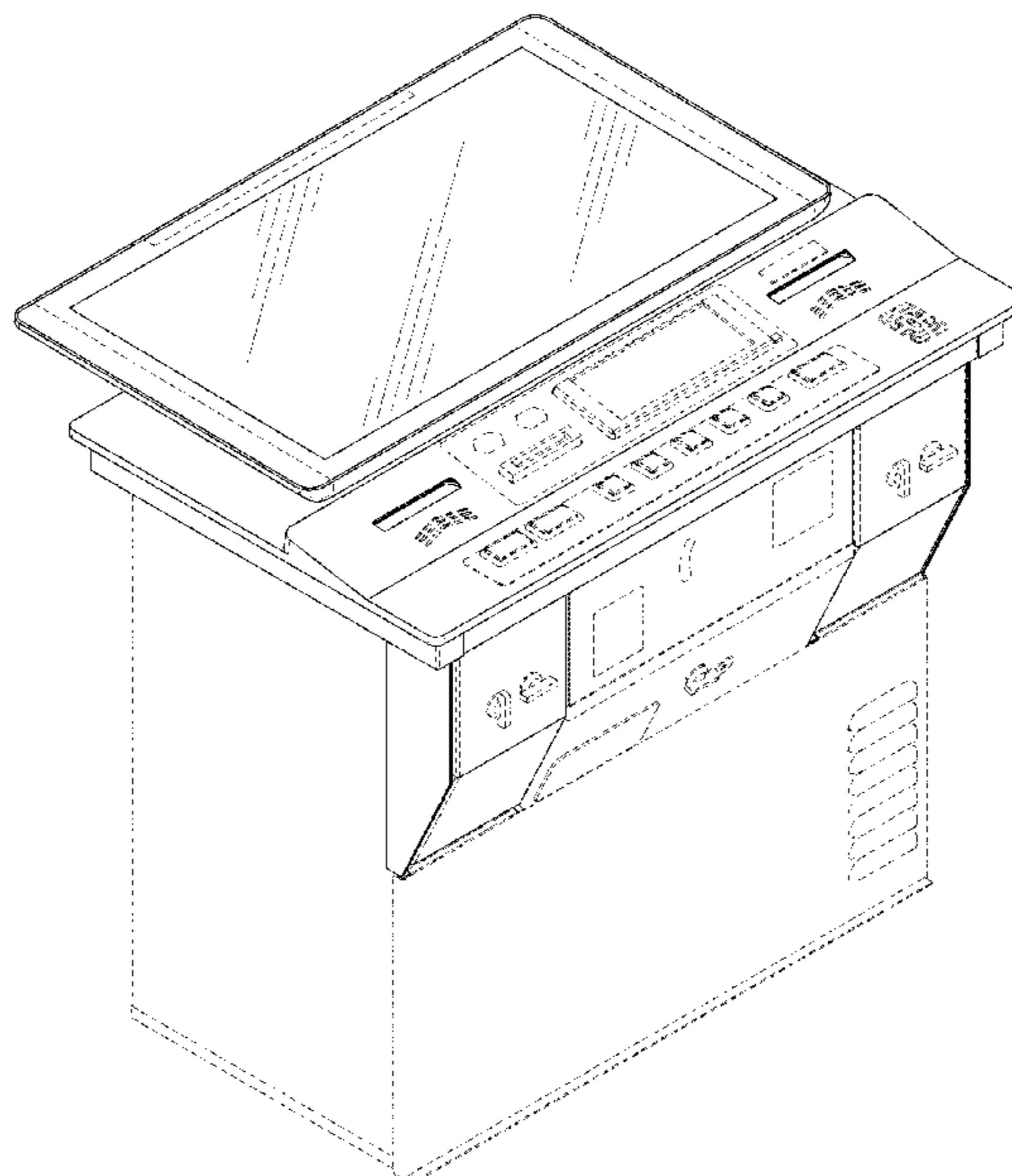
FIG. 4 is a left side view of the bar top gaming machine having dual bill acceptors of FIG. 1, the right side view being a mirror image thereof.

FIG. 5 is top view of the bar top gaming machine having dual bill acceptors of FIG. 1; and,

FIG. 6 is a bottom view of the bar top gaming machine having dual bill acceptors of FIG. 1.

The portions shown in phantom are not part of the claimed design.

1 Claim, 6 Drawing Sheets



(56)

References Cited

U.S. PATENT DOCUMENTS

| | | | | |
|--------------|-----|---------|---------------------|---------|
| D599,858 | S | 9/2009 | Lesley et al. | |
| D605,231 | S | 12/2009 | Hashimoto et al. | |
| D615,598 | S | 5/2010 | Mccomb et al. | |
| 7,993,198 | B2 | 8/2011 | Walker et al. | |
| 8,033,902 | B2 | 10/2011 | Wells et al. | |
| 8,272,947 | B2 | 9/2012 | Gagner et al. | |
| D674,023 | S | 1/2013 | Seelig | |
| D684,216 | S | 6/2013 | Terpstra et al. | |
| D685,435 | S | 7/2013 | Hohman et al. | |
| D697,558 | S | 1/2014 | Myers et al. | |
| D704,273 | S | 5/2014 | Chudek | |
| 8,864,135 | B2 | 10/2014 | Baerlocher et al. | |
| 8,870,663 | B2 | 10/2014 | Cole | |
| D721,766 | S | 1/2015 | Ferrazoli | |
| D721,767 | S | 1/2015 | Ferrazoli | |
| D730,993 | S | 6/2015 | Castro et al. | |
| D740,887 | S | 10/2015 | Randazzo | |
| 9,443,385 | B2 | 9/2016 | Adiraju et al. | |
| 9,508,220 | B2 | 11/2016 | Walker et al. | |
| D803,324 | S | 11/2017 | Bussey et al. | |
| 9,824,523 | B2 | 11/2017 | Cannon et al. | |
| D810,834 | S * | 2/2018 | Kelly | D21/397 |
| D818,048 | S | 5/2018 | Calhoun et al. | |
| 9,990,807 | B2 | 6/2018 | Leger et al. | |
| D842,929 | S * | 3/2019 | Hung | D21/325 |
| D842,930 | S | 3/2019 | Johnson et al. | |
| D854,620 | S | 7/2019 | Yeh | |
| D854,621 | S | 7/2019 | Calhoun et al. | |
| D858,641 | S | 9/2019 | Legras et al. | |
| 2009/0111573 | A1 | 4/2009 | Iddings | |
| 2009/0221375 | A1 | 9/2009 | Luciano, Jr. et al. | |
| 2009/0233681 | A1 | 9/2009 | Tsukahara | |
| 2014/0274252 | A1 | 9/2014 | Chun | |

* cited by examiner

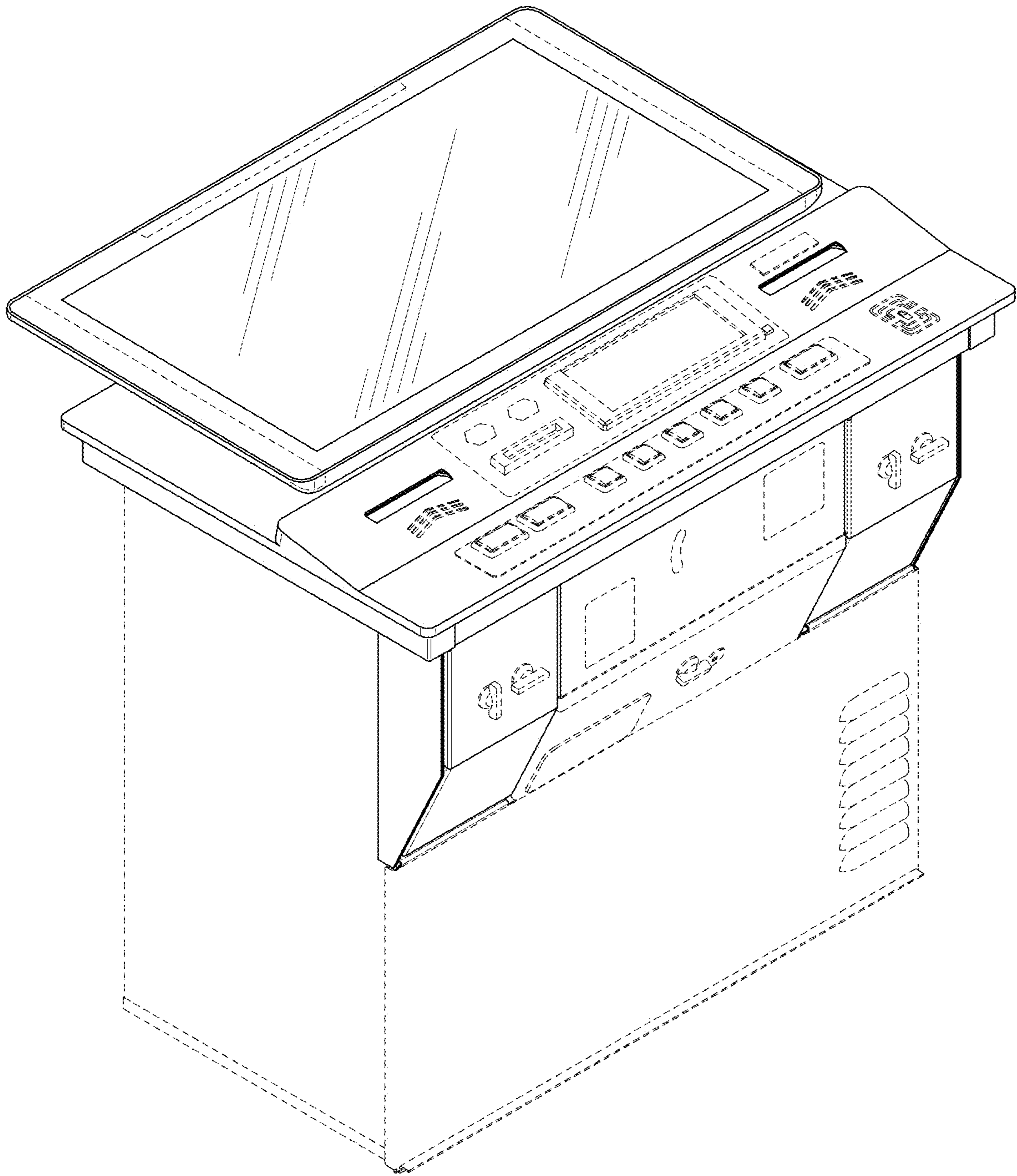


FIG. 1

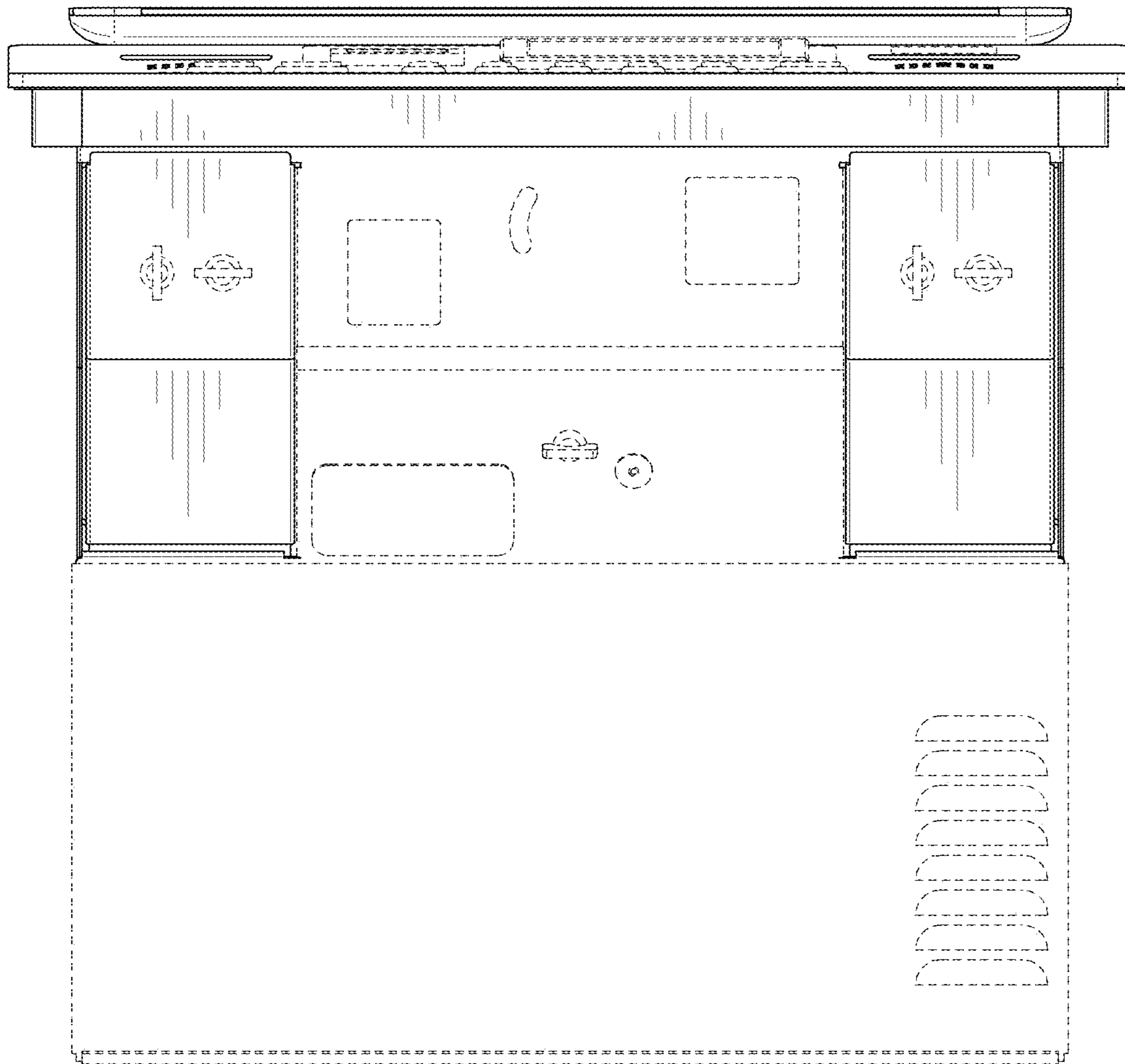


FIG. 2

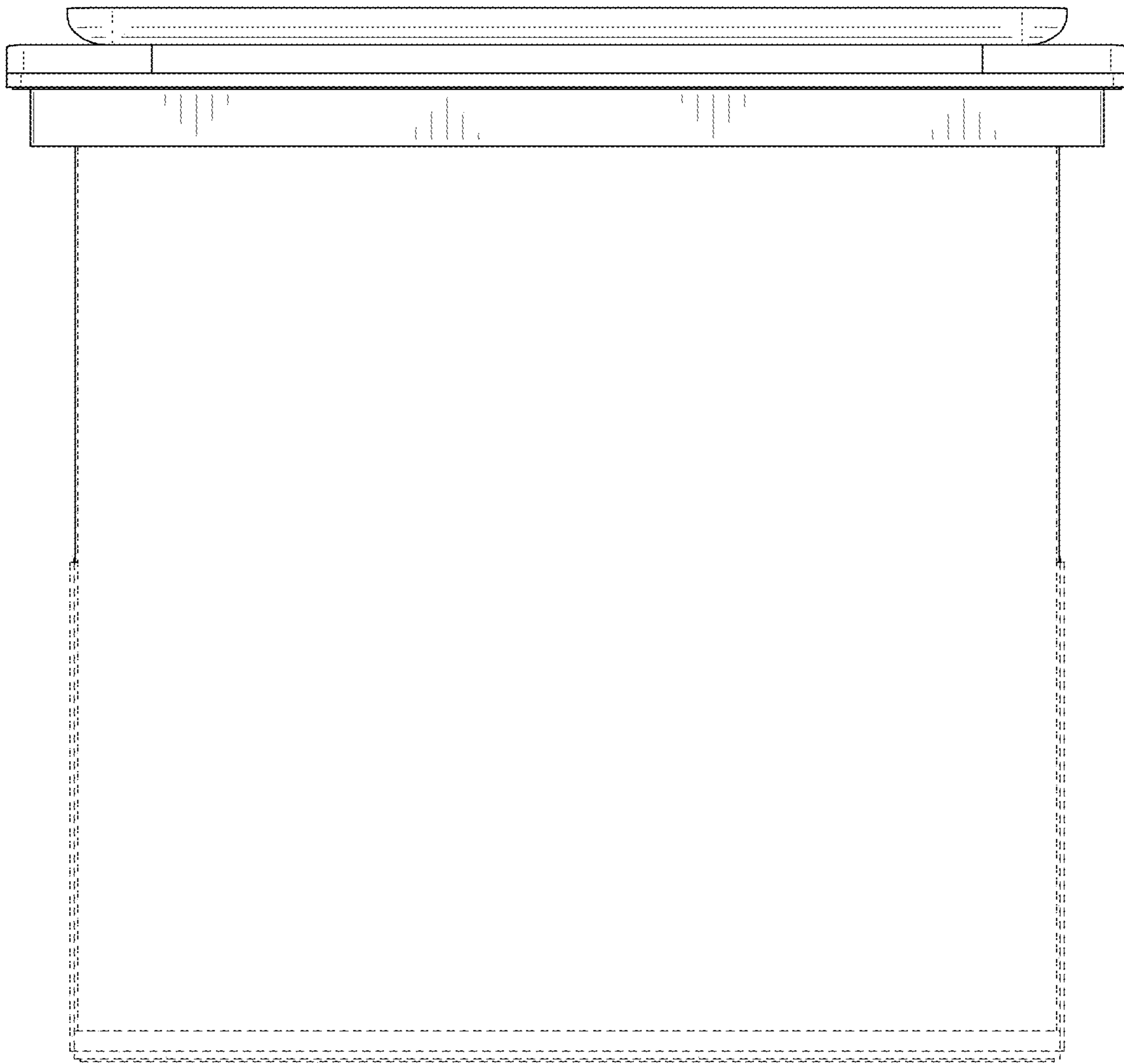


FIG. 3

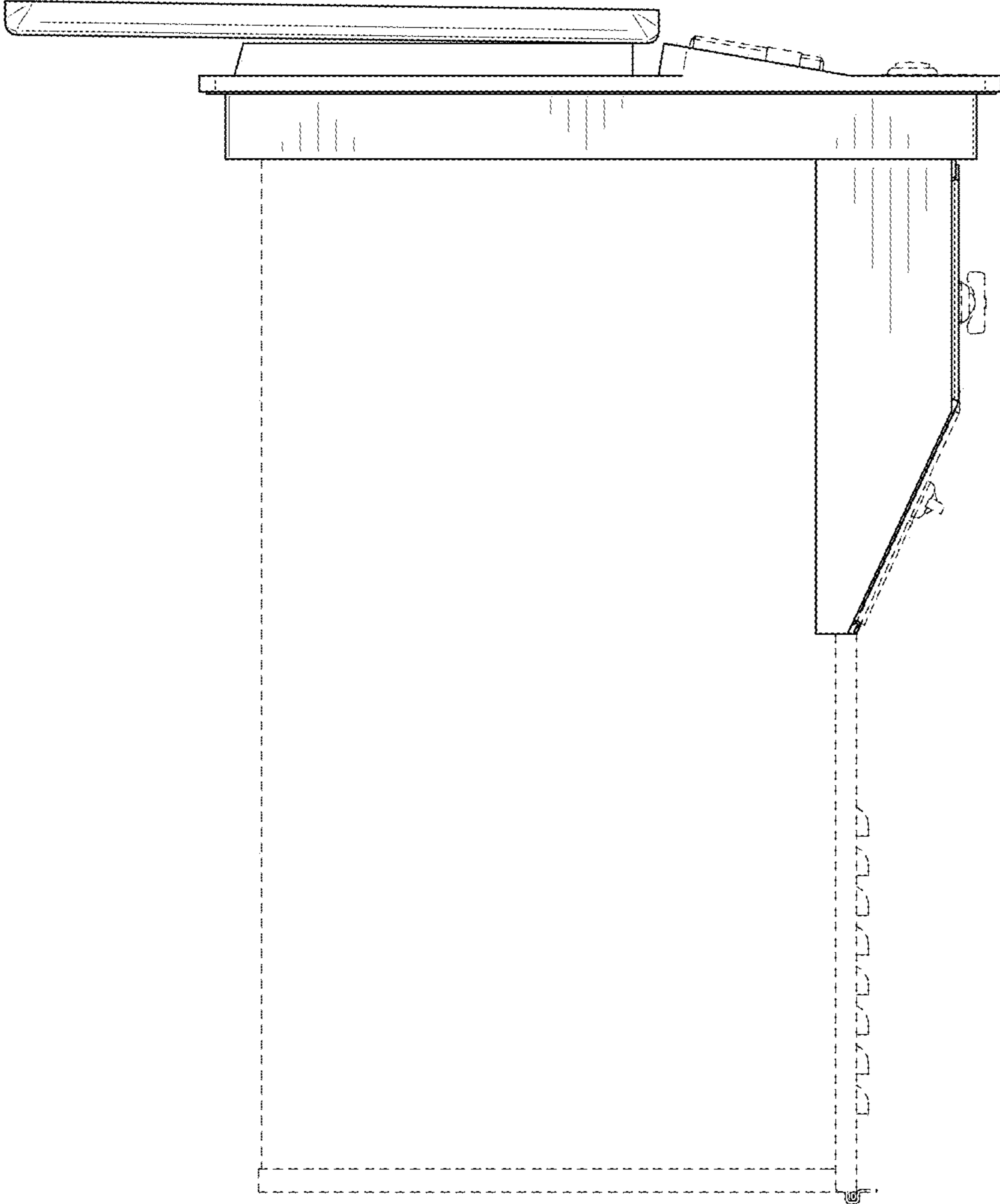


FIG. 4

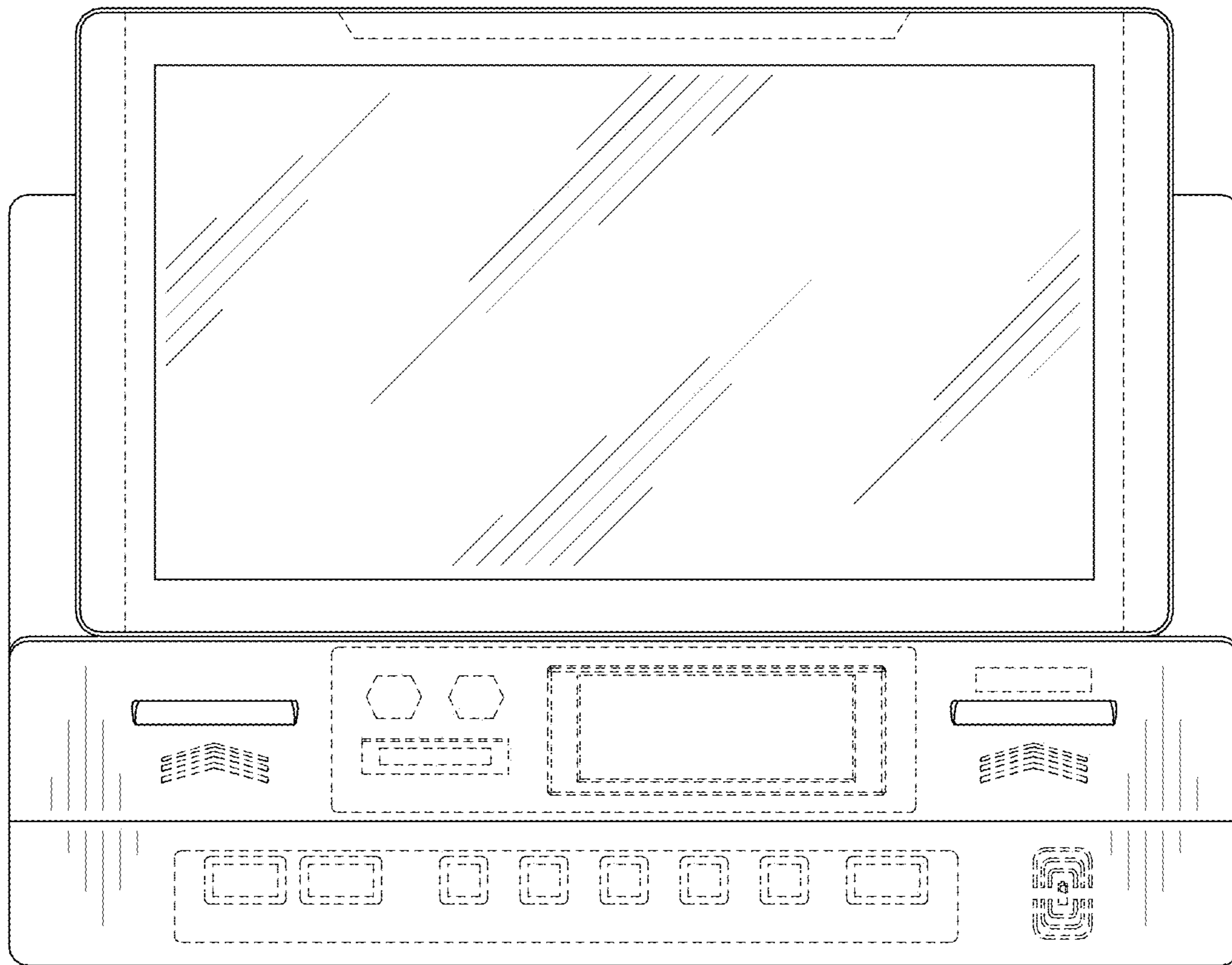


FIG. 5

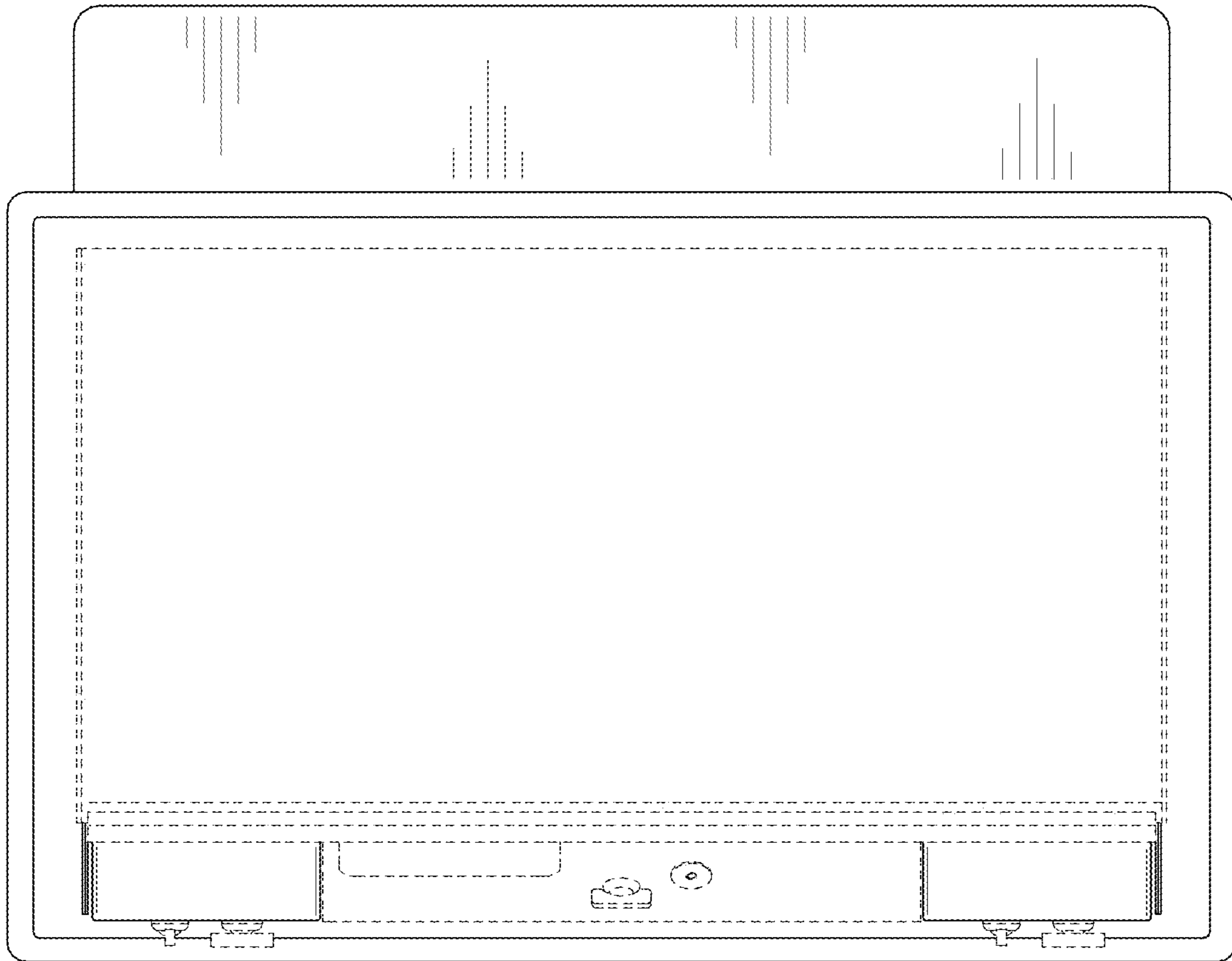


FIG. 6