



US00D878472S

(12) **United States Design Patent** (10) **Patent No.:** **US D878,472 S**
Lu (45) **Date of Patent:** **** Mar. 17, 2020**

(54) **SOCCER TABLE**
(71) Applicant: **Dong Guan Song Wei Electric Technology Co., Ltd., Dongguan (CN)**
(72) Inventor: **Weilin Lu, Dongguan (CN)**
(73) Assignee: **DONG GUAN SONG WEI ELECTRIC TECHNOLOGY CO., LTD., Dongguan, Guangdong (CN)**
(**) Term: **15 Years**
(21) Appl. No.: **29/632,914**
(22) Filed: **Jan. 10, 2018**
(51) **LOC (12) Cl.** **21-01**
(52) **U.S. Cl.**
USPC **D21/318**
(58) **Field of Classification Search**
USPC D21/312, 314, 318, 334, 338, 783;
D6/329, 451; 273/56, 108.1,
273/108.52-108.56, 118 R, 126 R, 126 A,
273/127 R, 236; 473/4, 29, 49, 115
CPC A63F 7/06; A63F 7/0676; A63F 7/0672
See application file for complete search history.

2008/0150230 A1* 6/2008 Bowe A63F 7/0672
273/108.1
2008/0197564 A1* 8/2008 Tsai A63F 7/0672
273/108.52
2010/0084812 A1* 4/2010 Guerzini A63F 7/0676
273/108.52

OTHER PUBLICATIONS

“Nuevo 78.75” Foosball Table”, posted Sep. 26, 2016 [online], [retrieved May 9, 2019]. Retrieved from internet, <https://www.wayfair.com/furniture/pdp/nuevo-7875-foosball-table-nvo2005.html?piid=...>
“KiCK Foosball Table Venture”, posted Oct. 9, 2017 [online], [retrieved Jun. 25, 2019]. Retrieved from internet, https://www.amazon.com/KICK-Foosball-Table-Venture-55/product-reviews/B071JBV4W9/ref=cm_cr_getr_d_paging_btm_next_3?ie=UTF8&reviewerType=all_reviews&sortBy=recent&pageNumber=3.
“Gumtree”, posted May 28, 2019 [online], [retrieved Jun. 25, 2019]. Retrieved from internet, <https://www.gumtree.com/p/other-miscellaneous-goods/-football-table-vintage-foosball-table/1341601432>.

* cited by examiner

Primary Examiner — Sandra S Snapp
Assistant Examiner — Mehri F Bajoul
(74) *Attorney, Agent, or Firm* — Leong C. Lei

(56) **References Cited**

U.S. PATENT DOCUMENTS

D227,684 S * 7/1973 Patterson D21/318
D376,390 S * 12/1996 Tilly D21/318
6,648,329 B2 * 11/2003 Tsai A63F 7/0672
273/108.51
D499,149 S * 11/2004 Doherty D21/314
7,219,892 B2 * 5/2007 Corrado A63F 7/0672
273/108.1
D570,418 S * 6/2008 Lu D21/318
D627,003 S * 11/2010 Lu D21/318
8,276,914 B2 * 10/2012 Tsai A63F 7/0672
273/108.1
8,403,326 B1 * 3/2013 Flanagan A63F 7/06
273/108.1
9,962,604 B1 * 5/2018 Farley A63F 7/0017

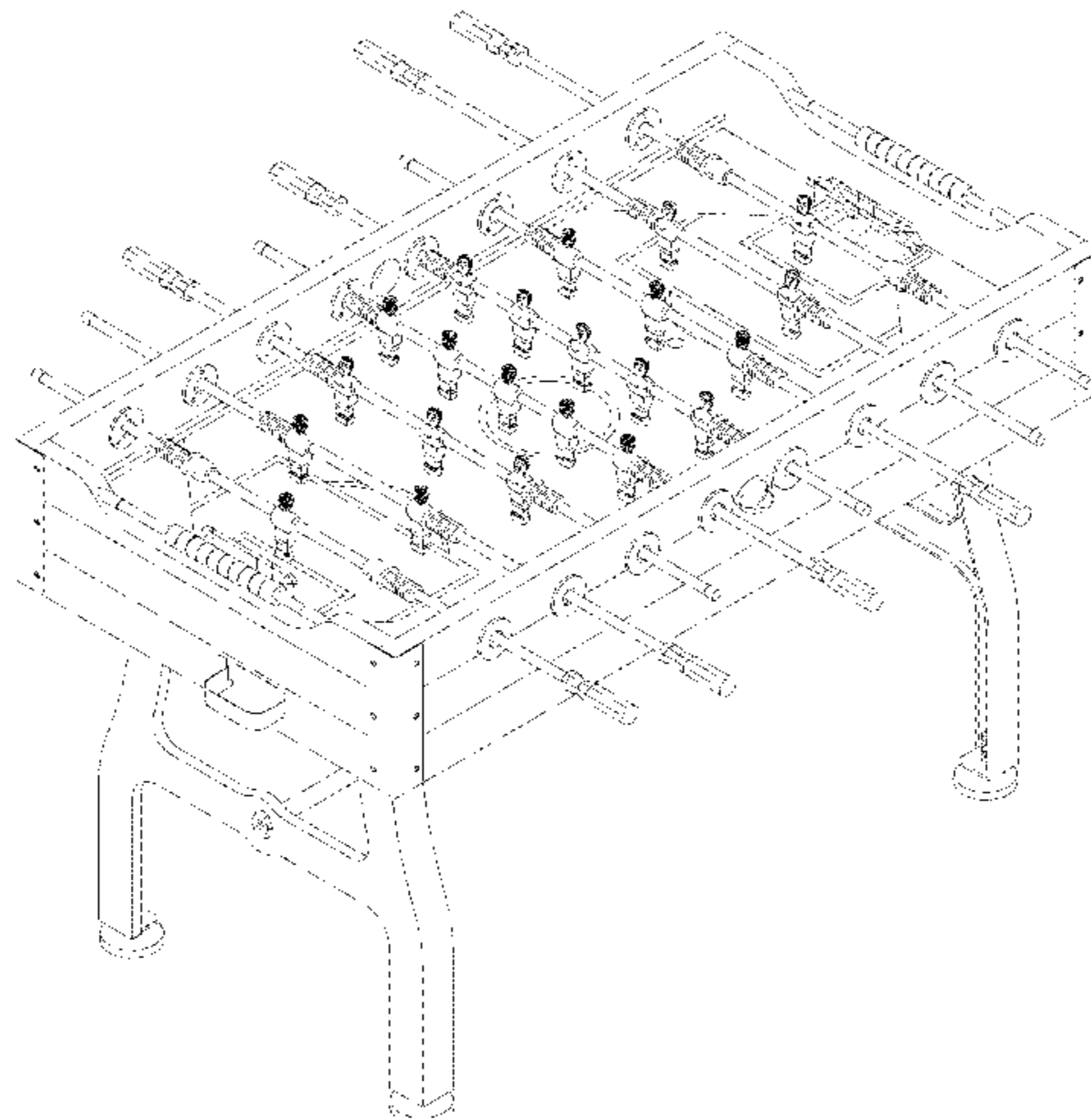
(57) **CLAIM**

The ornamental design for a soccer table, as shown and described.

DESCRIPTION

FIG. 1 is a perspective view of a soccer table showing my present design;
FIG. 2 is a front view thereof;
FIG. 3 is a rear view thereof;
FIG. 4 is a left side view thereof;
FIG. 5 is a right side view thereof; and,
FIG. 6 is a top view thereof.

(Continued)



All the broken lines in the drawings, including the nets, depict portions of the soccer table and form no part of the claimed design.

1 Claim, 6 Drawing Sheets

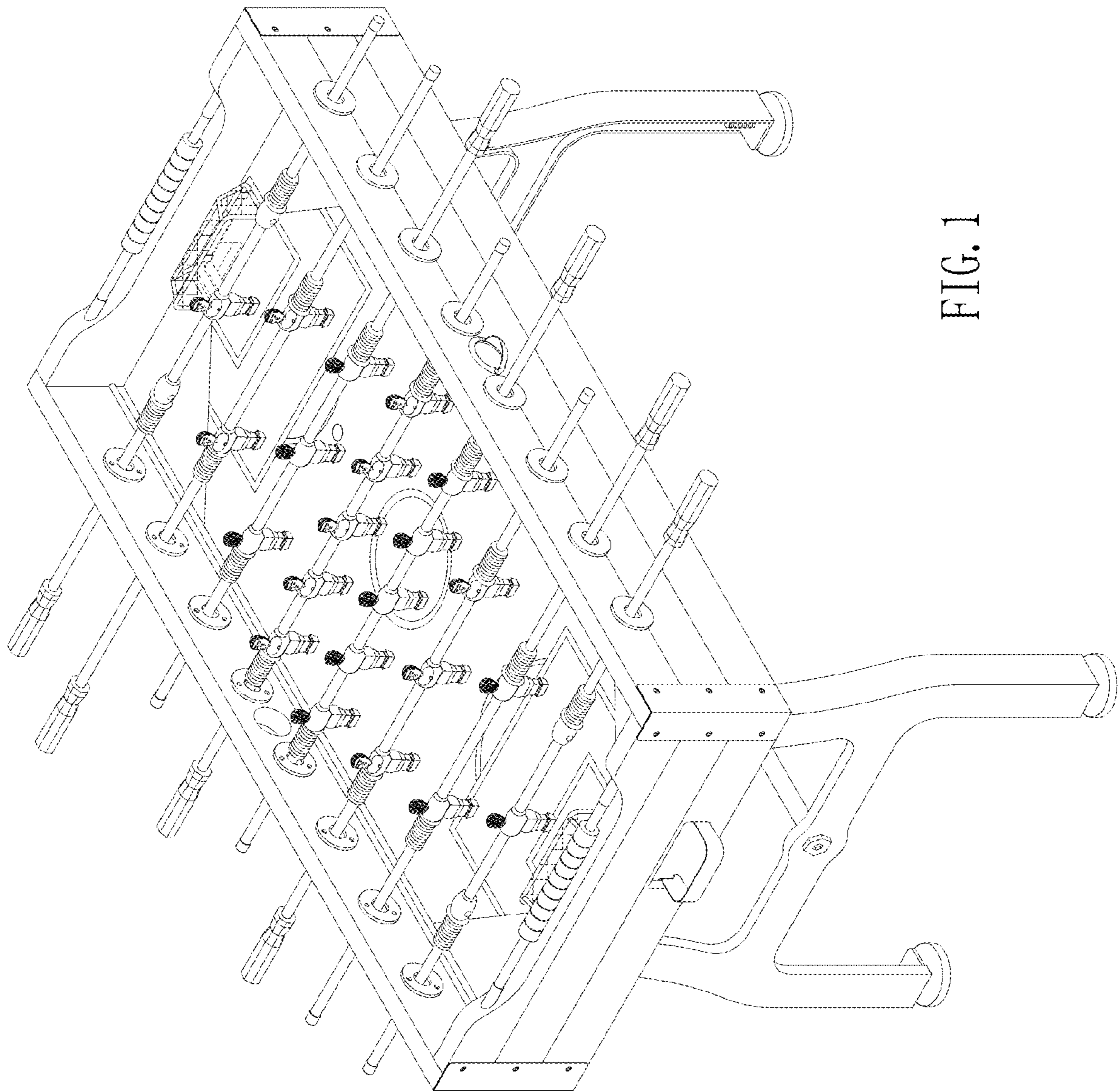


FIG. 1

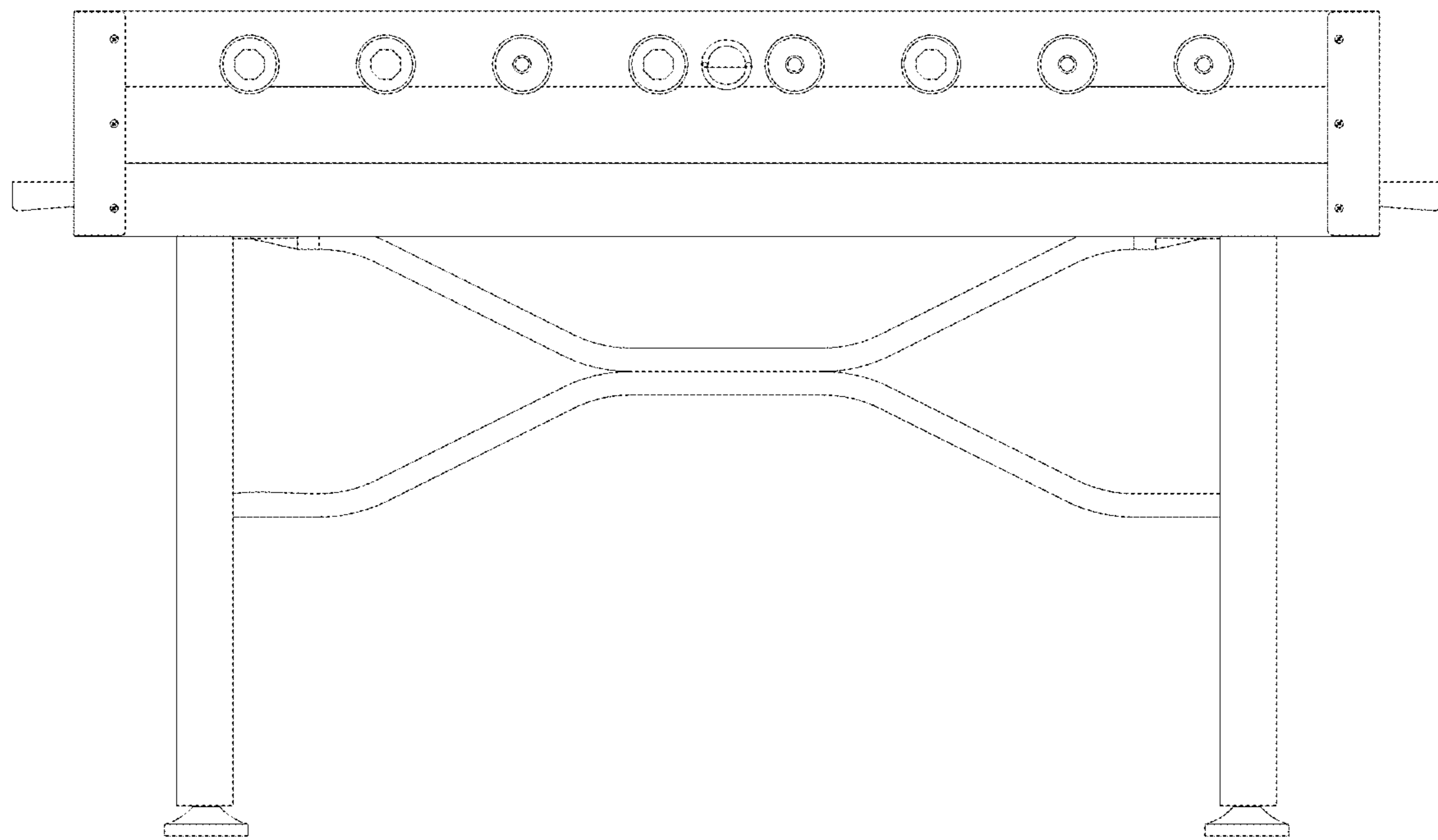


FIG. 2

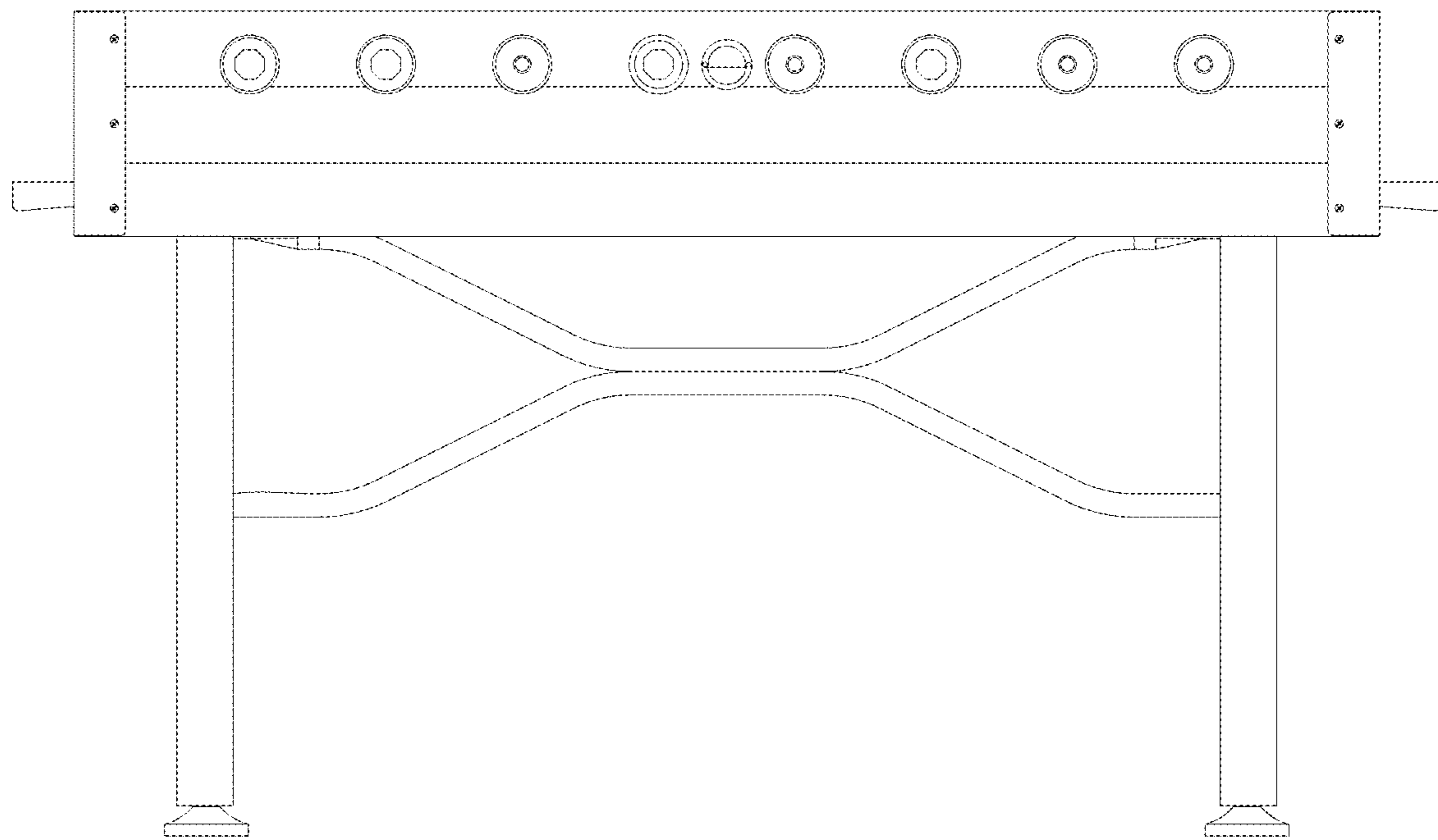


FIG. 3

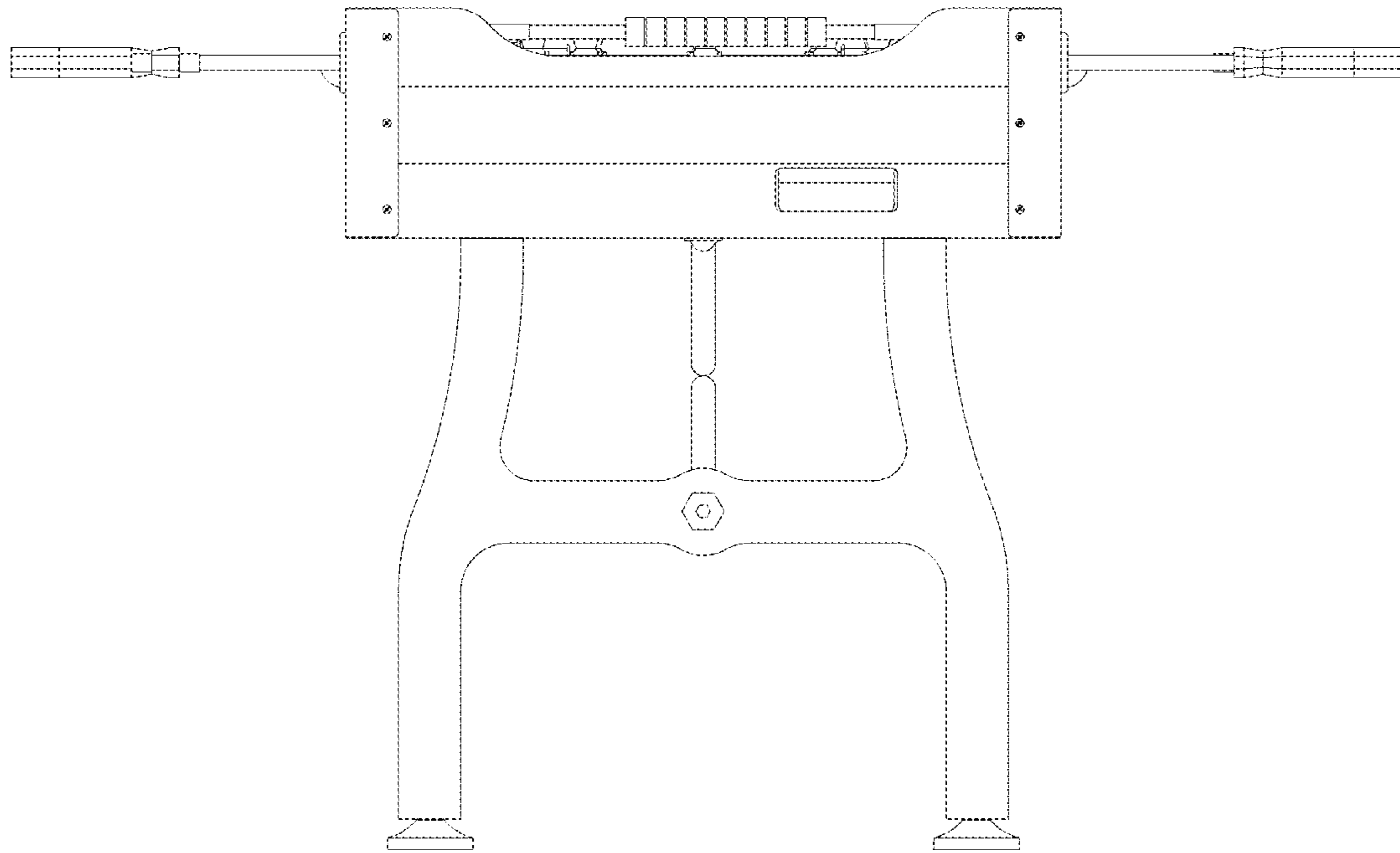


FIG. 4

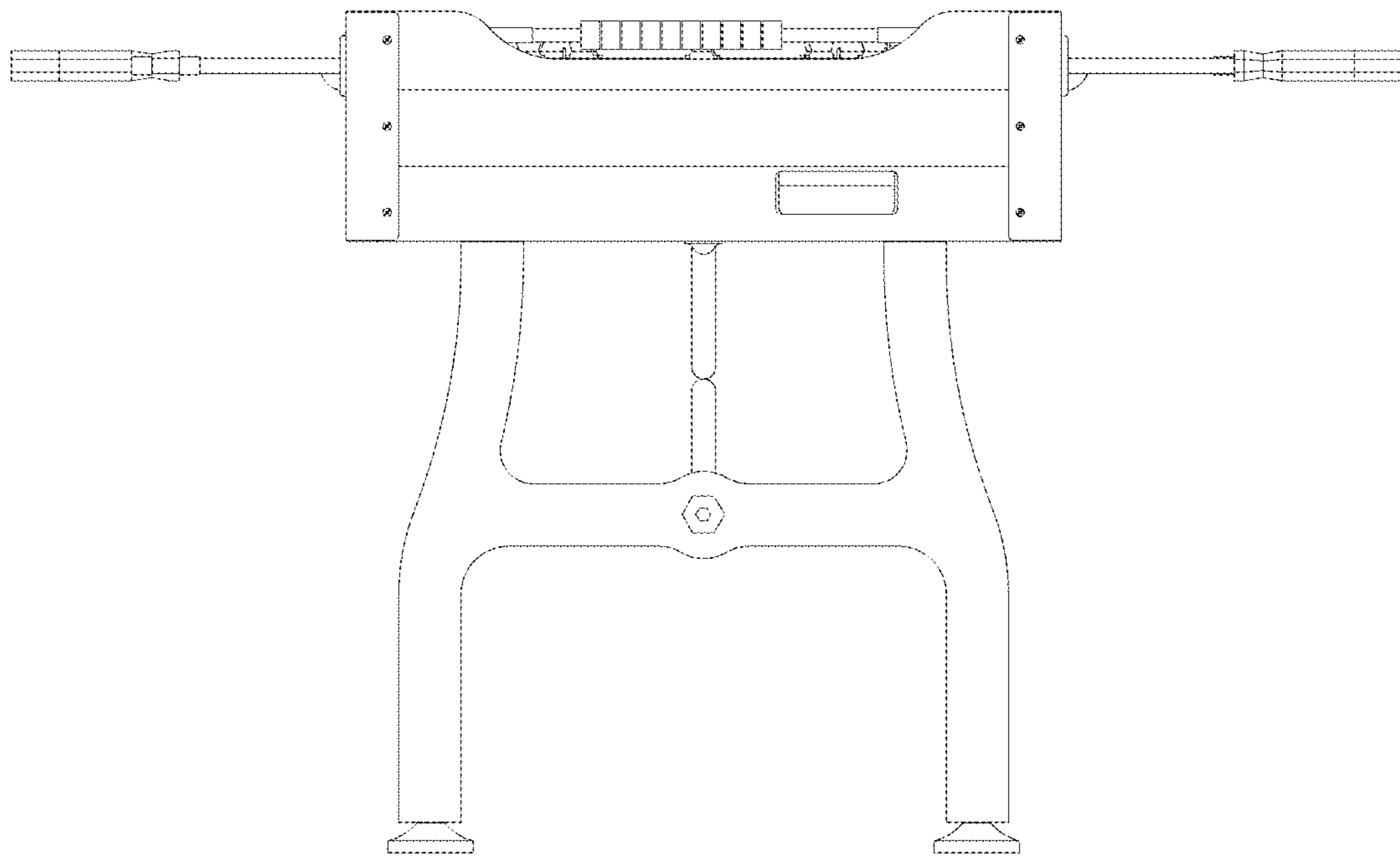


FIG. 5

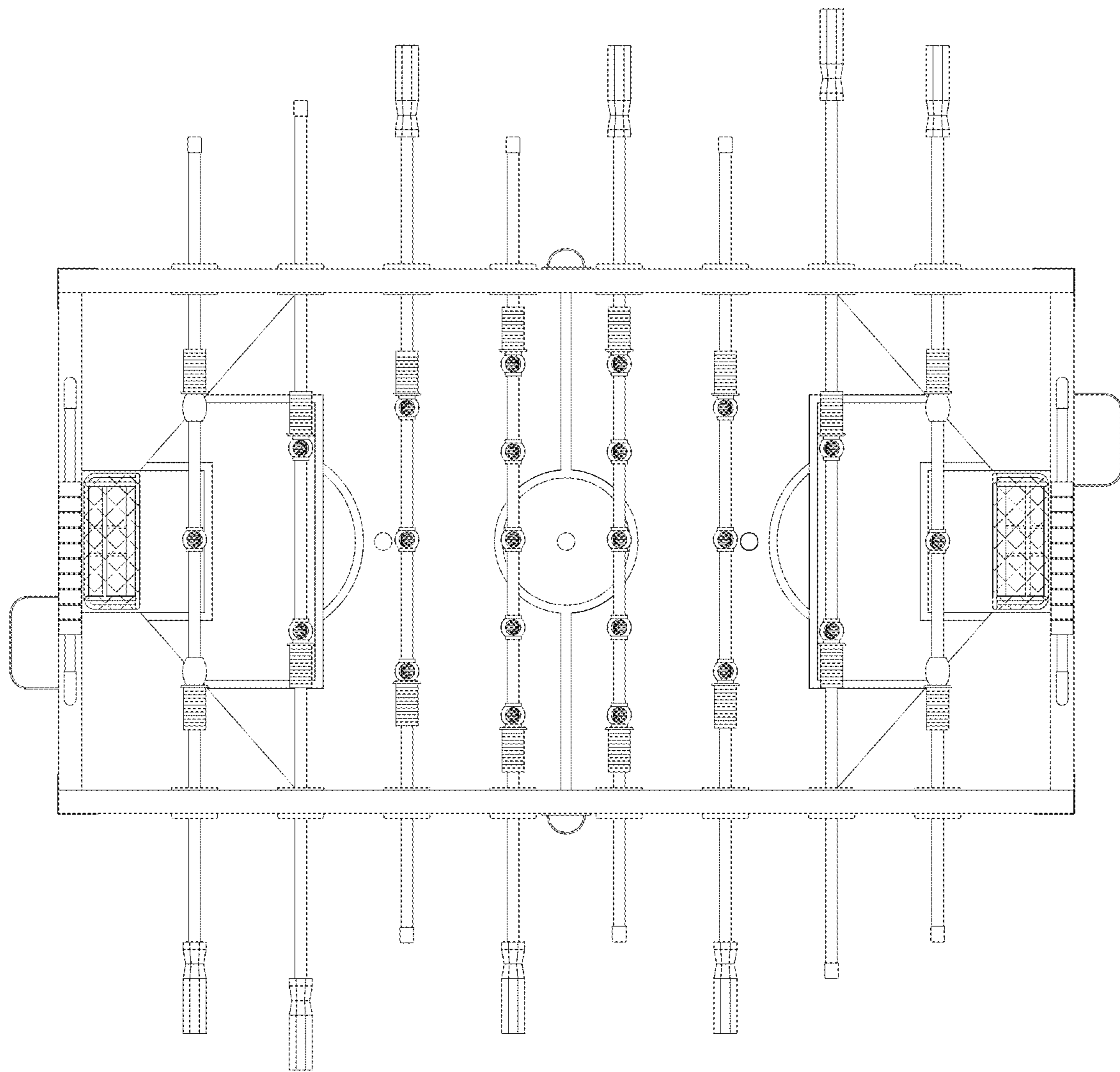


FIG. 6