



US00D878470S

(12) **United States Design Patent** (10) **Patent No.:** **US D878,470 S**  
**Kinner** (45) **Date of Patent:** **\*\* Mar. 17, 2020**

(54) **GAME TARGET STAND WITH FLYING DISKS**

D509,261 S \* 9/2005 Tebbe ..... D21/452  
D549,015 S \* 8/2007 Petrick ..... D6/681  
D626,181 S \* 10/2010 Lima ..... D21/302  
D634,789 S \* 3/2011 Hoge, Jr. .... D21/302

(71) Applicant: **Omnigames Inc.**, Colorado Springs, CO (US)

(Continued)

(72) Inventor: **Michael Kinner**, Colorado Springs, CO (US)

OTHER PUBLICATIONS

(73) Assignee: **Omnigames Inc.**, Colorado Springs, CO (US)

“Professional Backdrop”, posted Jun. 12, 2014 [online], [retrieved Mar. 11, 2019. Retrieved from internet, [https://www.amazon.com/Professional-Telescopic-Photography-Backdrop-Display/dp/B00JWL4T6Y/ref=cm\\_cr\\_ar\\_p\\_d\\_product\\_top?ie=UTF8](https://www.amazon.com/Professional-Telescopic-Photography-Backdrop-Display/dp/B00JWL4T6Y/ref=cm_cr_ar_p_d_product_top?ie=UTF8).\*

(\*\*) Term: **15 Years**

(Continued)

(21) Appl. No.: **29/635,364**

*Primary Examiner* — Sandra S Snapp

(22) Filed: **Jan. 30, 2018**

*Assistant Examiner* — Mehri F Bajoul

(51) **LOC (12) Cl.** ..... **21-01**

(74) *Attorney, Agent, or Firm* — Martensen IP

(52) **U.S. Cl.**  
USPC ..... **D21/302**

(57) **CLAIM**

(58) **Field of Classification Search**  
USPC ..... D21/301, 302, 322, 458, 570, 790, 797;  
D6/310–313, 496, 708.16; 273/177 R,  
273/181 R, 407; 116/173; 102/374  
CPC ..... A63B 67/06; F41J 1/10; F41J 5/22; A63F  
2250/0407

The ornamental design for the game target stand with flying disks, as shown and described.

See application file for complete search history.

**DESCRIPTION**

(56) **References Cited**

FIG. 1 is a front left front perspective view of game target stand with flying disks showing our new design.

FIG. 2 is a front view of the game target stand with flying disks.

FIG. 3 is a back view of the game target stand with flying disks.

FIG. 4 is a view of one side of the game target stand with flying disks.

FIG. 5 is a view of the opposite side of the game target stand with flying disks.

FIG. 6 is a top view of the game target stand with flying disks; and,

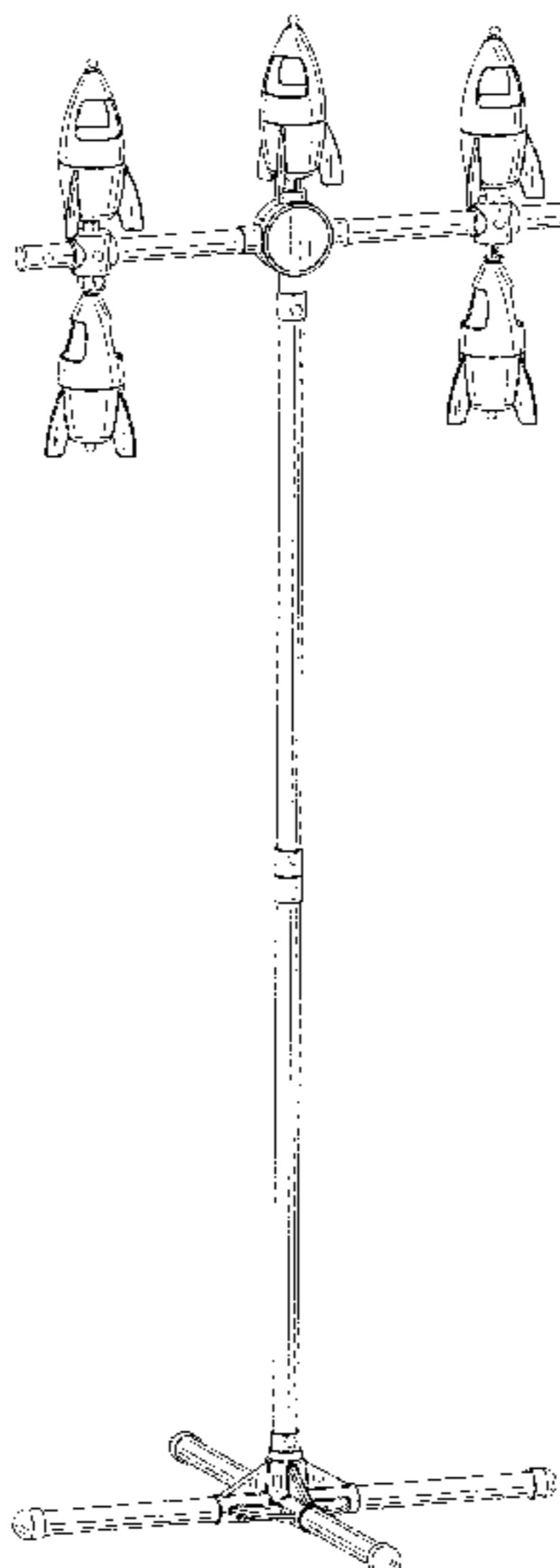
FIG. 7 is a bottom view of the game target stand with flying disks.

The broken lines shown in the drawings depict portions of the game target stand with flying disks that form no part of the claimed design.

U.S. PATENT DOCUMENTS

D329,665 S \* 9/1992 Carroll ..... D21/306  
D346,081 S \* 4/1994 Turner ..... D6/681.1  
D346,844 S \* 5/1994 D’Andrade ..... D21/452  
5,441,267 A \* 8/1995 Alder ..... G09F 17/00  
116/173  
5,564,661 A \* 10/1996 Gershon ..... A47B 19/002  
248/167  
D405,834 S \* 2/1999 Weng ..... D21/302  
D415,805 S \* 10/1999 Wygonik ..... D16/244  
D438,914 S \* 3/2001 O’Rourke ..... D21/452  
D478,939 S \* 8/2003 McReynolds ..... D21/302  
D481,763 S \* 11/2003 Roy ..... D21/304  
D506,219 S \* 6/2005 Eason ..... D16/244

**1 Claim, 7 Drawing Sheets**



(56)

**References Cited**

U.S. PATENT DOCUMENTS

D670,752 S \* 11/2012 Barber ..... D16/242  
D671,598 S \* 11/2012 Makaruk ..... D21/302  
D672,169 S \* 12/2012 Linder ..... D6/708.16  
D738,431 S \* 9/2015 Fiske ..... D21/302  
D788,876 S \* 6/2017 Brooks ..... D22/113  
2005/0082761 A1\* 4/2005 Lynch ..... A63B 63/00  
273/343  
2018/0333627 A1\* 11/2018 Kinner ..... A63B 67/06

OTHER PUBLICATIONS

“Gigglen go knock off toss game”, posted Nov. 9, 2018 [online],  
[retrieved Mar. 11, 2019]. Retrieved from internet, [https:// www.amazon.com/GIGGLE-GO-Knock-Toss-Game/product-reviews/B07DVLY49J/ref=cm\\_cr\\_arp\\_d\\_viewopt\\_srt?ie=UTF8&reviewerType=all\\_reviews&sortBy=recent&pageNumber=1](https://www.amazon.com/GIGGLE-GO-Knock-Toss-Game/product-reviews/B07DVLY49J/ref=cm_cr_arp_d_viewopt_srt?ie=UTF8&reviewerType=all_reviews&sortBy=recent&pageNumber=1).\*

\* cited by examiner

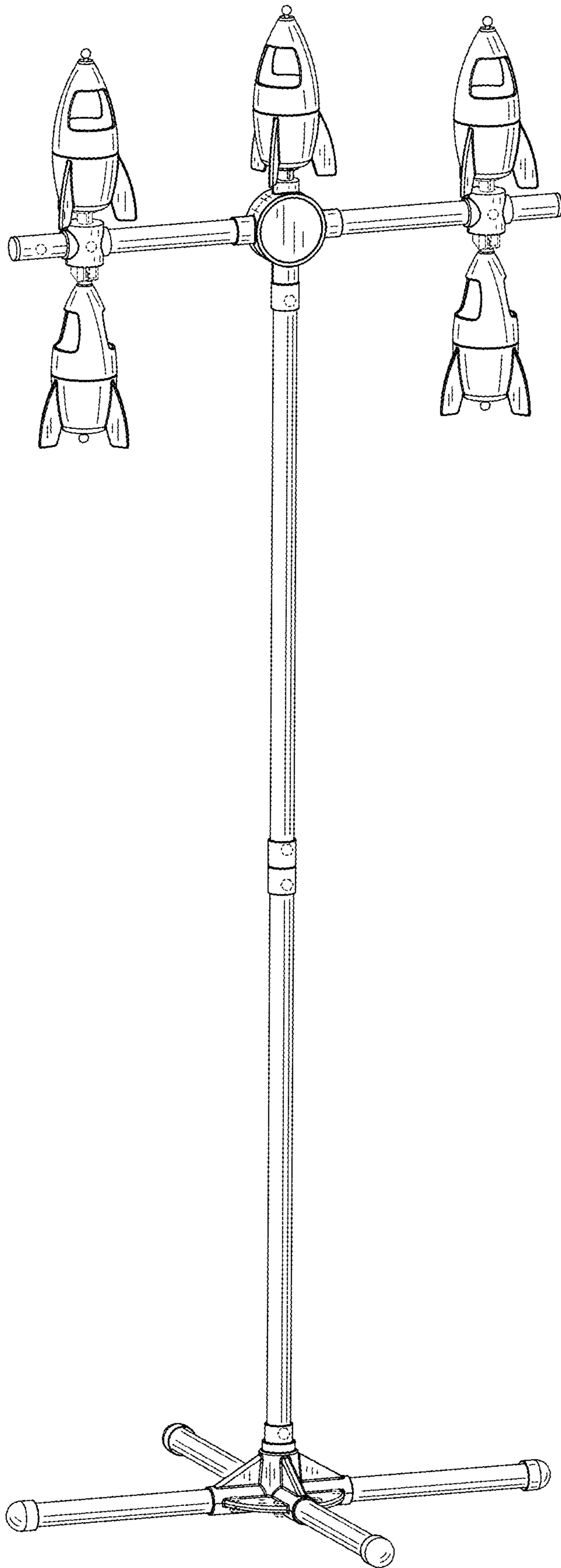


FIG.1

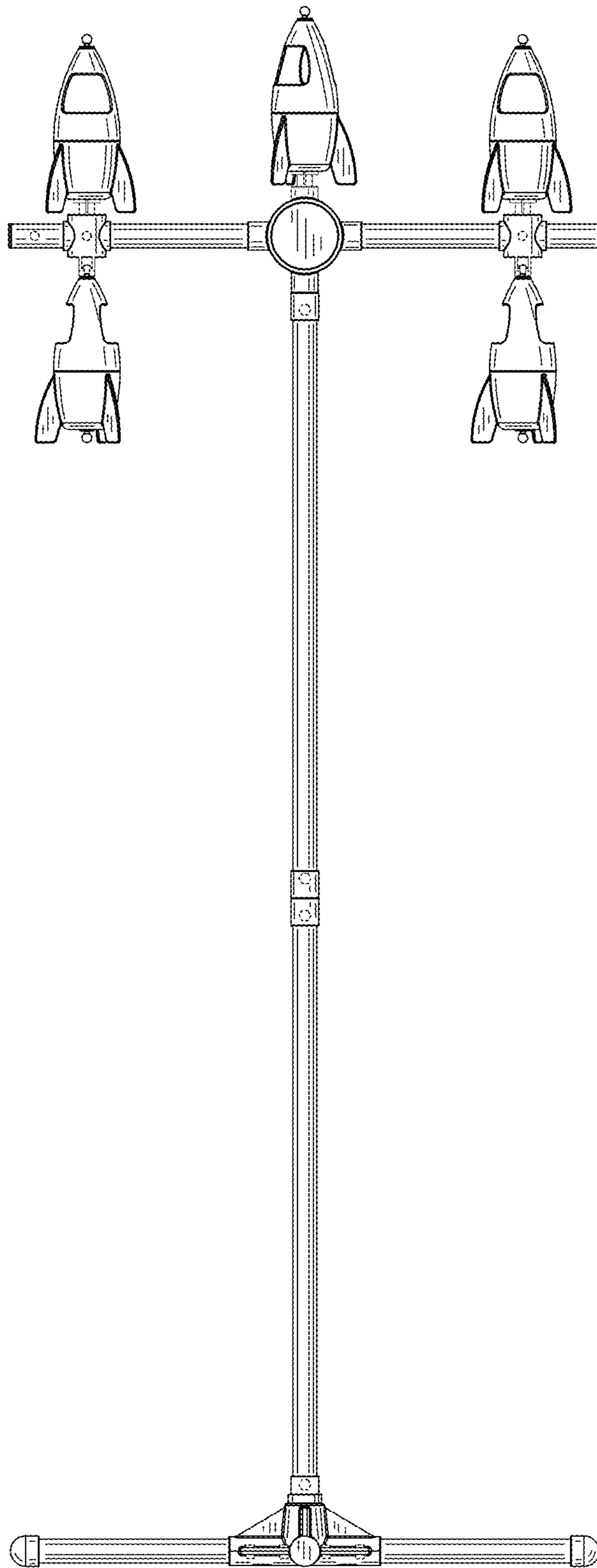


FIG.2

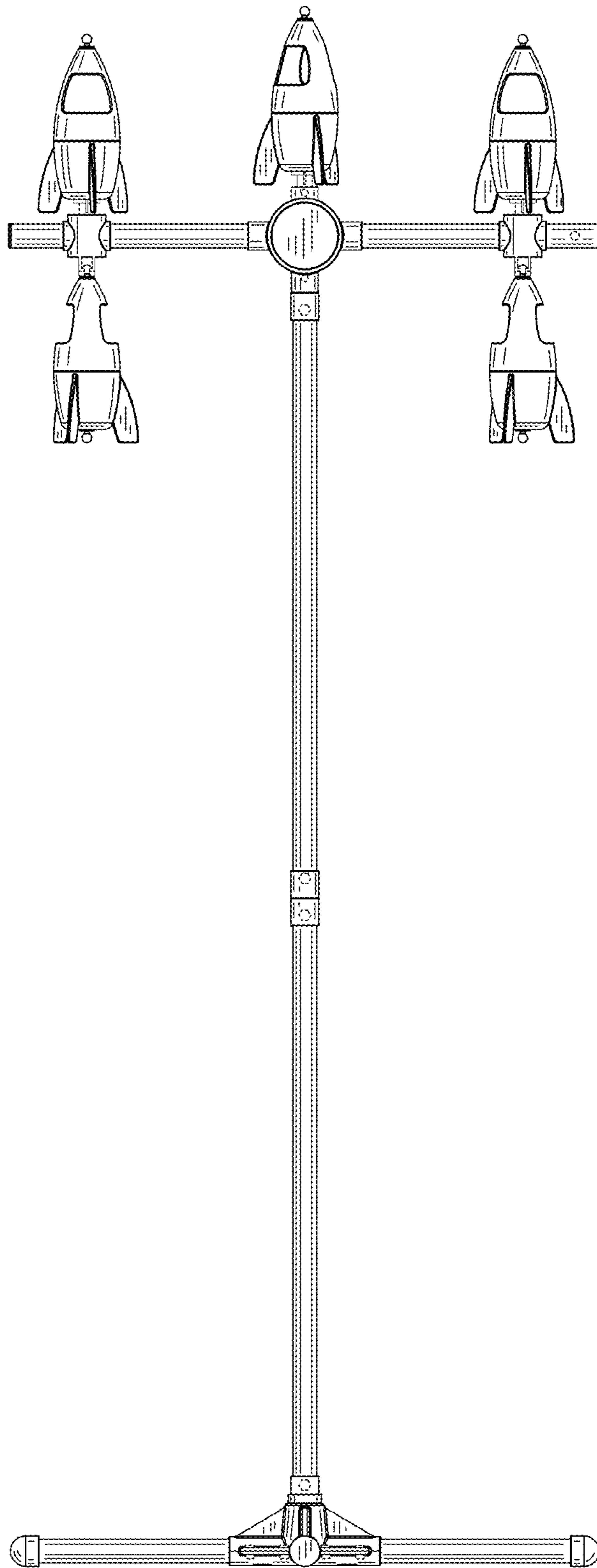


FIG.3

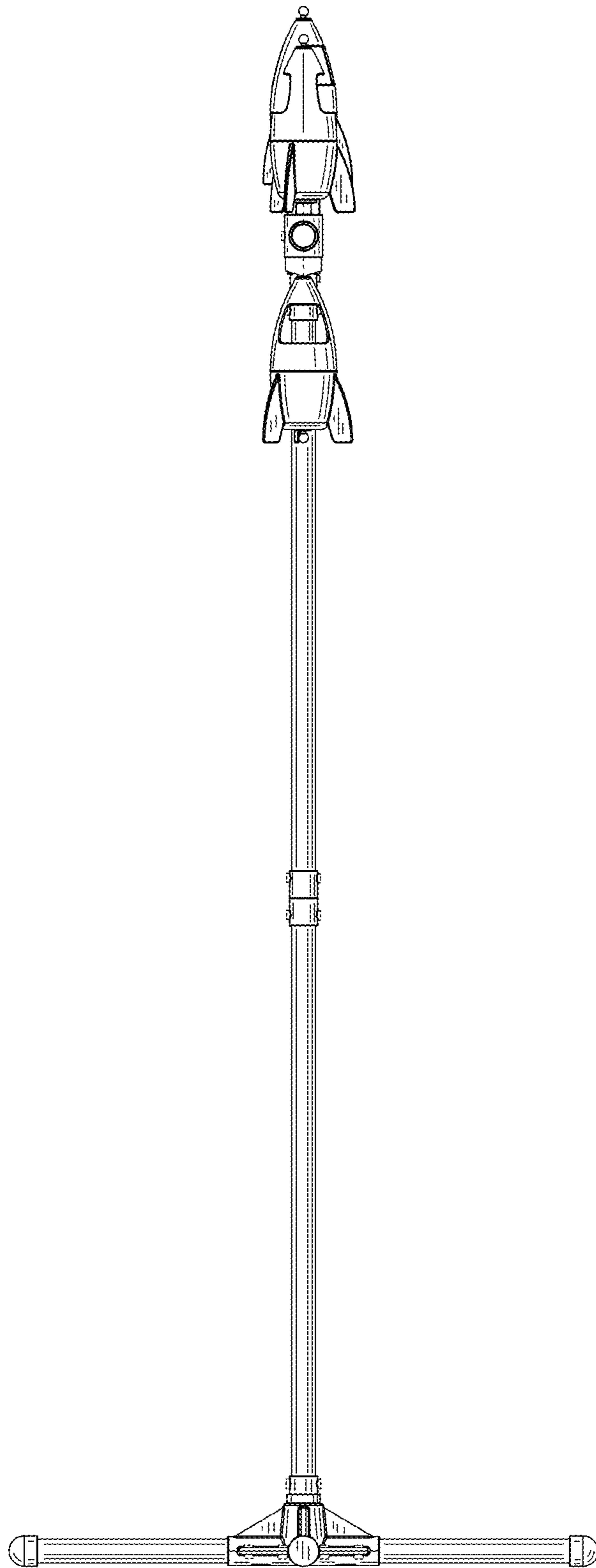


FIG.4

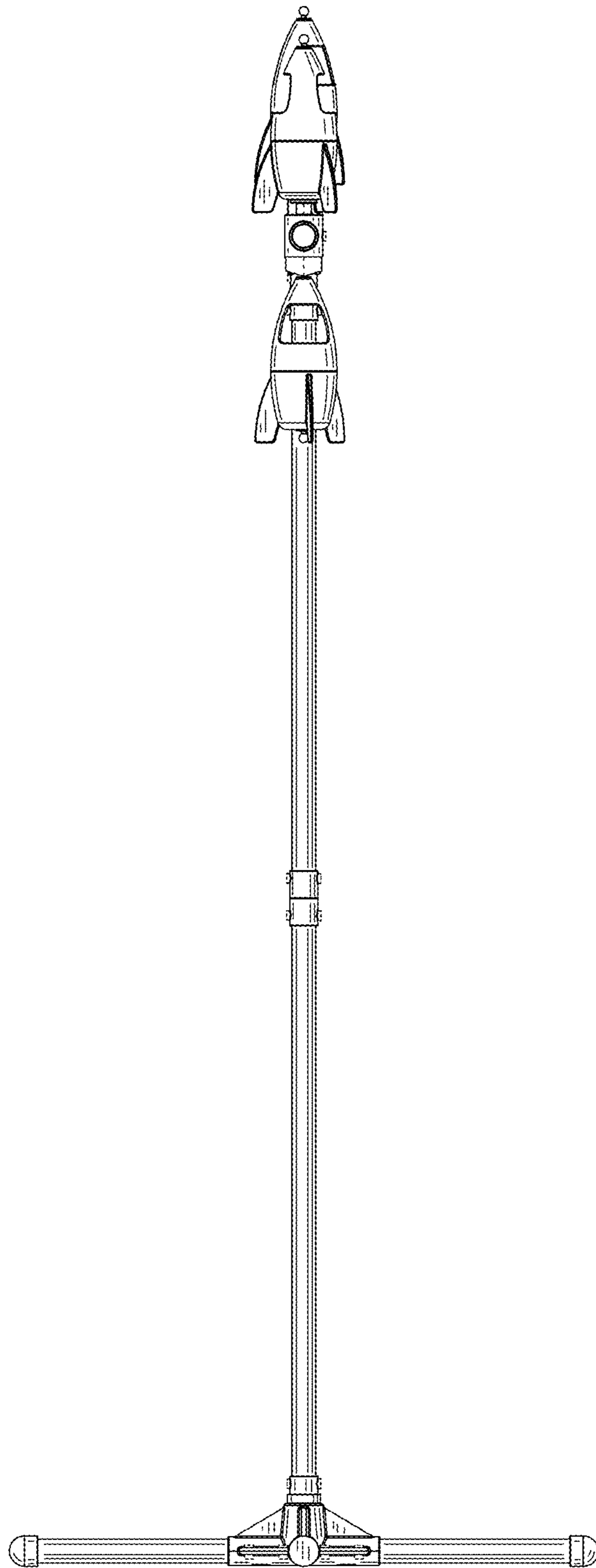


FIG.5

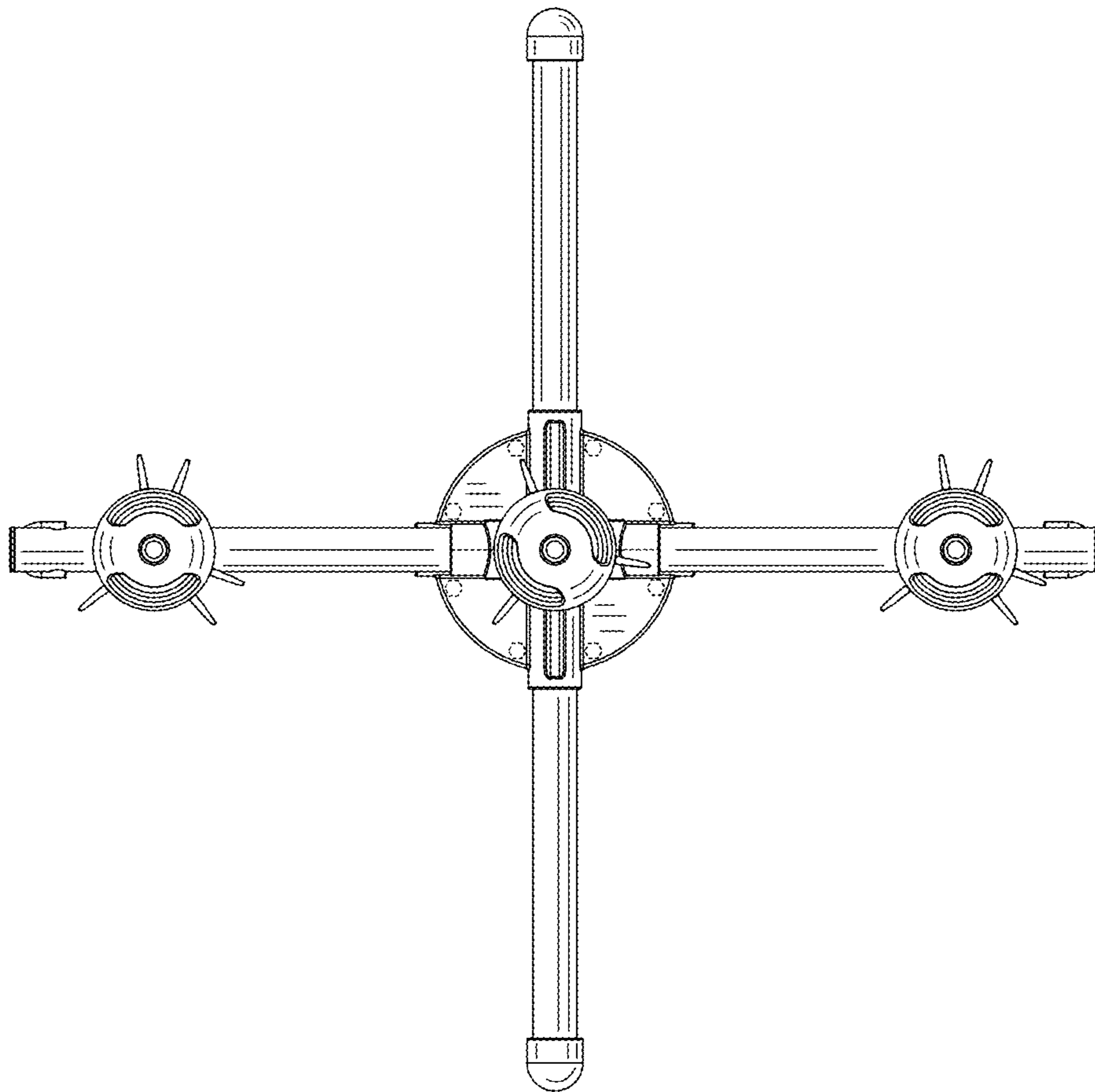


FIG.6



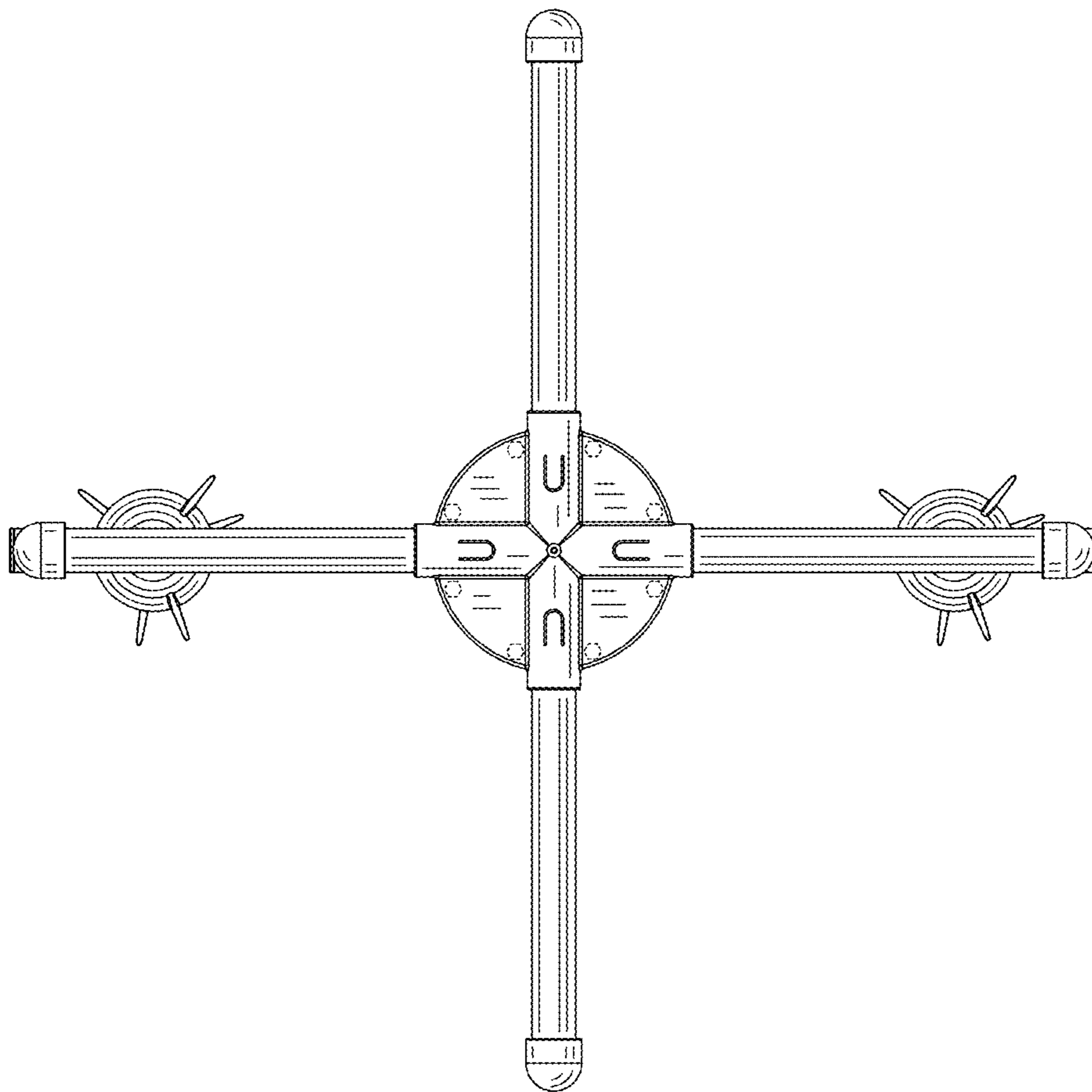


FIG.7